

Marder III Ausf.M Tank Destroyer Sd.Kfz.138 - Early

ドイツ対戦車自走砲マダーIII M 初期型

黄鼠狼III M坦克歼击车-早期型

PLEASE READ BEFORE OPERATION!

- * Tools recommended as below: (Not included)
Adhesives; Paints; Side Cutters; Sharp Edged Pliers; Modeling Knife; Modeling File; Nippers; Drill; Scissors; Sand Paper; Soft Cloth; Cyanoacrylate Glue.
- * Make sure to read this instruction listed below before assembling.
- * The kit contains the small parts, they can be dangerous if swallowed by mistake, so keep them away from reach of children.
- * Cut the all parts off carefully and remove the waste parts into the garbage can.
- * More caution and care should be needed for cutting and handling the photo etched parts.
- * Make attention that some parts should be attached the decal when assembled.
- * During assembling, please tear up and throw away the plastic bags, or may cause the dangerous if wearing over head by children's mistake.
- * When using the adhesives and paints, please do not use them in the closed room or near the fire, also must be very careful to protect your eyes, face and clothes.
- * Adult supervised when assembled by children under 14 years old.

装配前请仔细阅读:

- * 推荐使用的模型工具(请自备):
专用模型胶水, 专用模型油漆, 水口剪刀, 长咀钳, 刀片, 锉刀, 镊子钳, 钻, 剪刀, 软布, 砂纸, 瞬间快干胶等。
- * 用水口剪刀或刀片小心切下所有塑胶零件和蚀刻片零件, 不要遗失小零件。
- * 切取蚀刻片时应特别注意防止利边划伤手指。
- * 用模型锉刀小心锉平所有零件表面的注射浇口。
- * 用适量的强力快干胶水粘合蚀刻片零件和金属轴, 切忌过量, 否则可能导致可动零件被粘住。
- * 注意某些零件表面需在装配时同步贴水上水贴纸。
- * 制作时应远离幼儿并将包装袋及时收妥, 谨防小孩玩耍而引起意外。



using ca super glue
使用强力胶



weight
配重



make hole
钻孔



cut / remove
切除



option
选择



no cement
不涂胶水



decal
贴纸



bend
弯曲



repair
填补



install it first
先装

The method to apply the decals

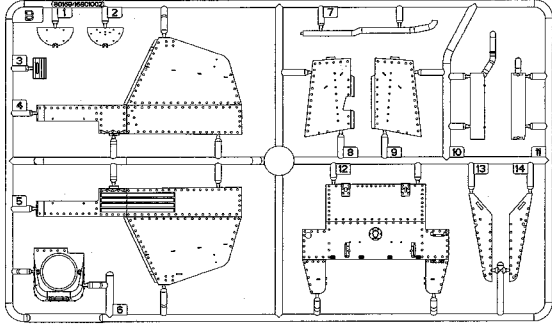
1. Cut off the decal from the decal paper and put it into the warm water 40°C for 10 seconds.
2. Take the decal from the water and put it on a piece of clean cloth.
3. Remove the decal slowly from the paper to the targeted location by a wet finger.
4. Use a piece of dry and soft cloth to press it gently on the decal until it getting dry and no bubble existing.

水贴纸的使用方法:

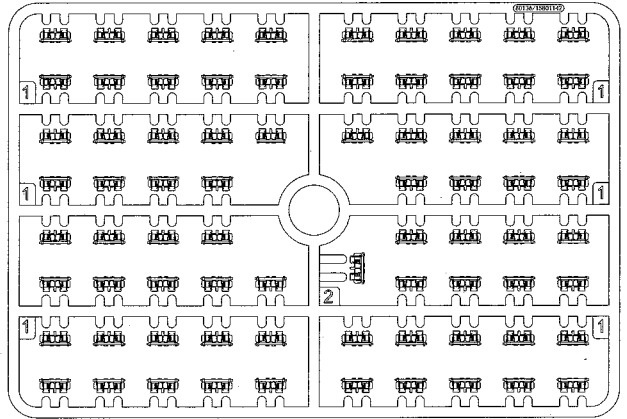
- 一. 把相关的印花从水贴上剪下, 放入40°C左右的温水中浸10秒。
- 二. 然后将印花放在干净的布上。
- 三. 拿上印花纸, 手指蘸水将印花移到适当的位置。
- 四. 用软干布轻压印花直至水干, 气泡消失。

部品图
Parts

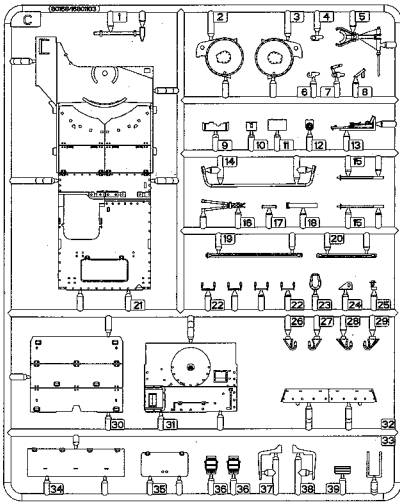
Bx1



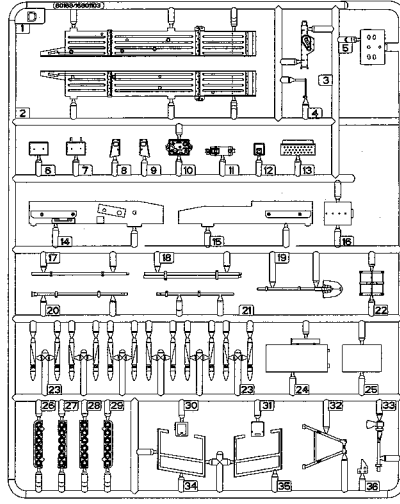
Tx3



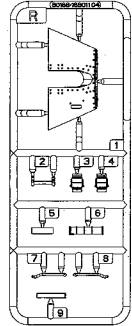
Cx1



Dx1

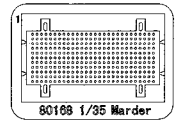


Rx1

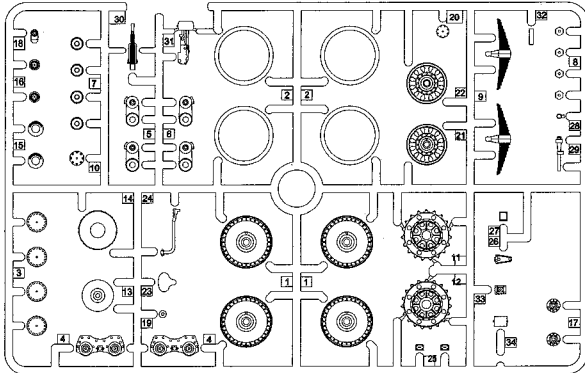


《蚀刻片》

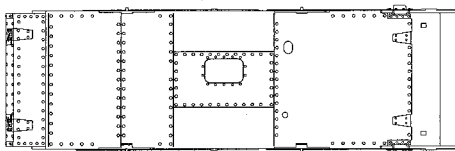
PE



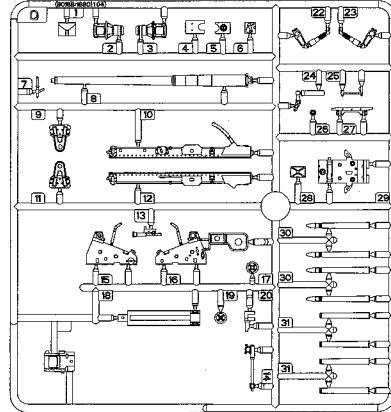
Ex2



《车底》
Lower hull



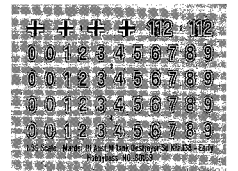
Qx1



《金属炮管》
Metal gun



《水贴》
Decal



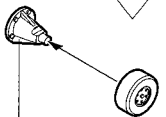
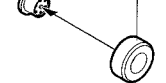
1
STEP

《车底》
Lower hull

对侧相同
Both sides
E4

E16

E15



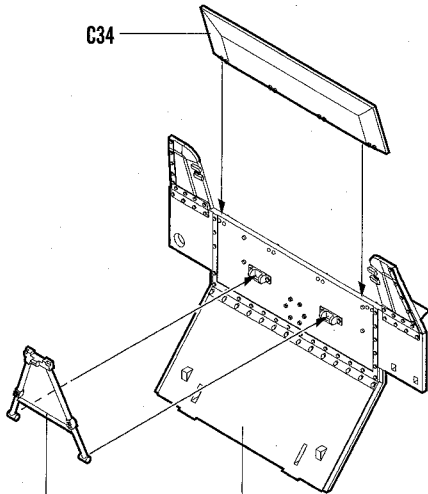
E17

制作两组
Make two

对侧相同
Both sides

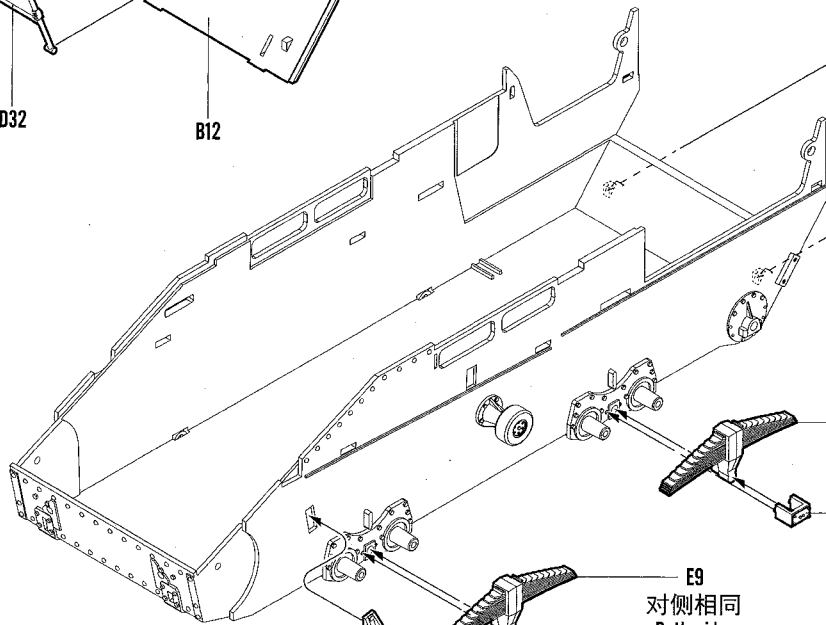
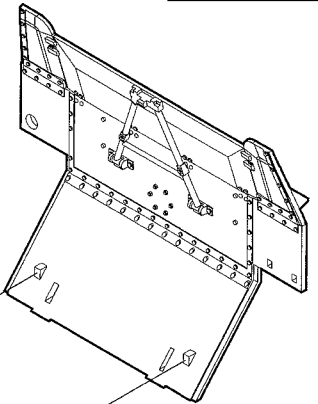
E4
对侧相同
Both sides

C34



D32

B12



E9 对侧相同
Both sides

E25
对侧相同
Both sides

E9
对侧相同
Both sides

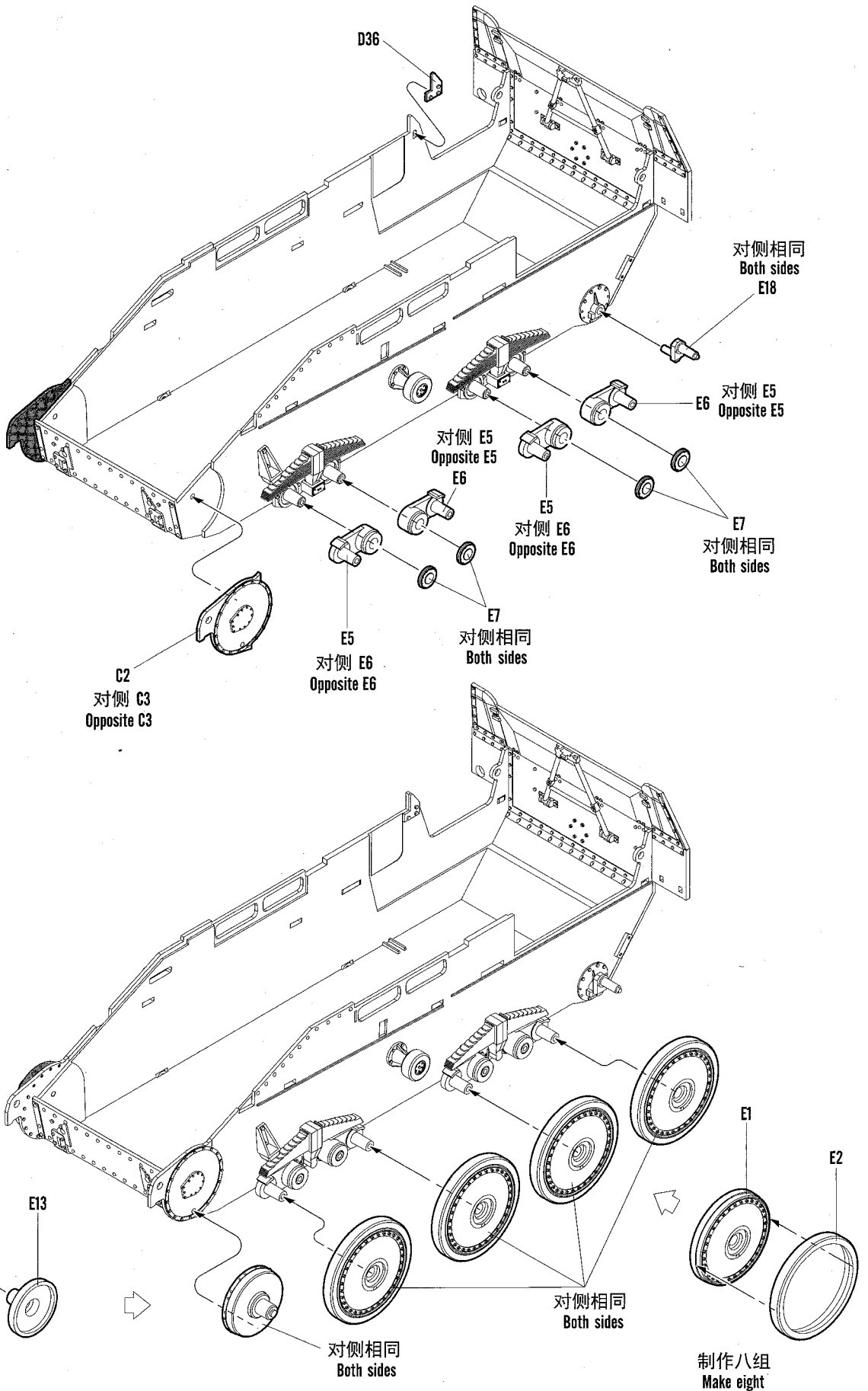
E25
对侧相同
Both sides

对侧相同
Both sides

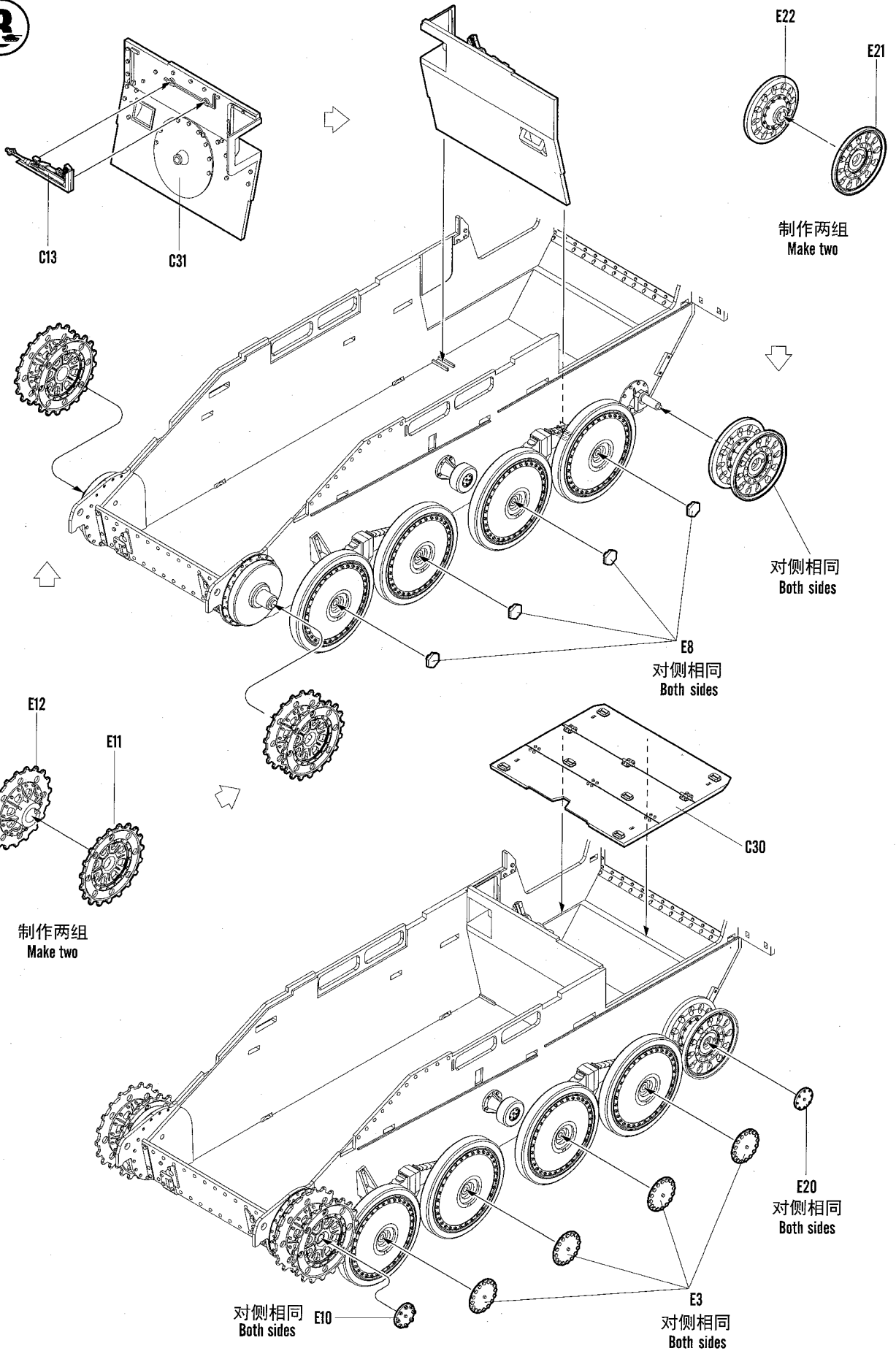
制作两组
Make two

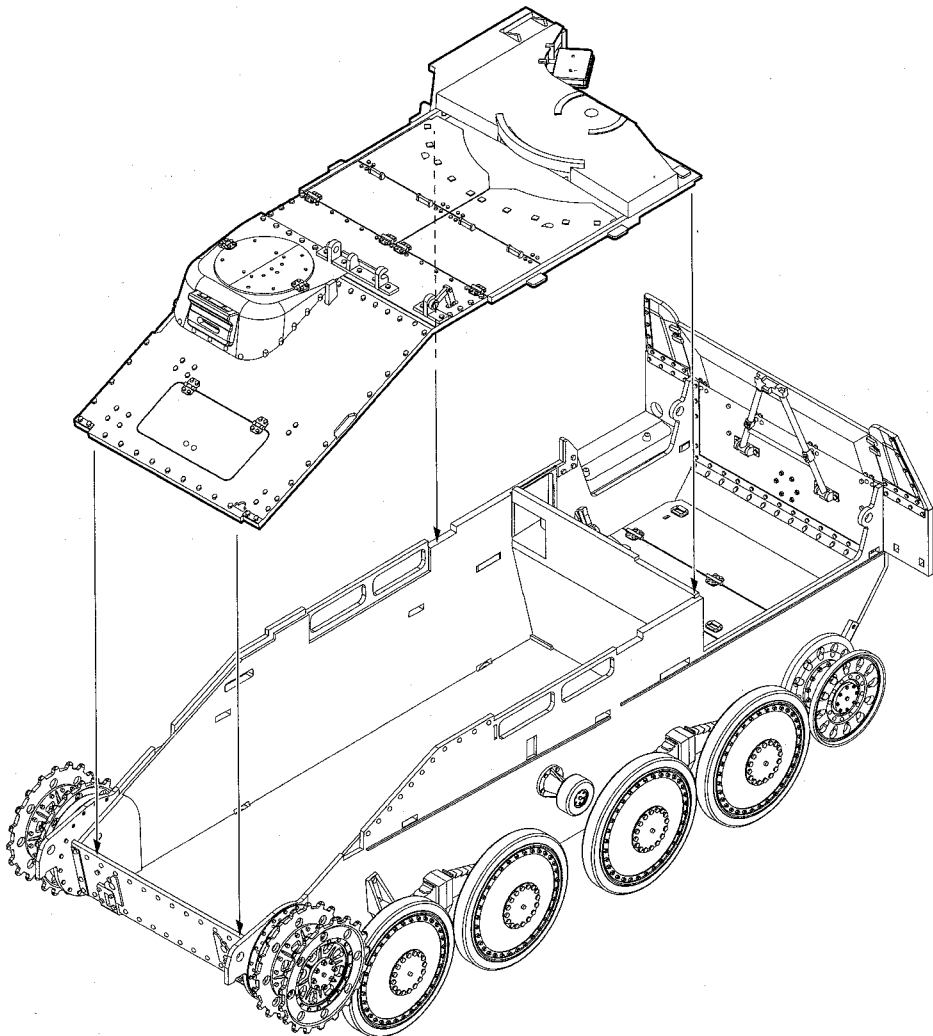
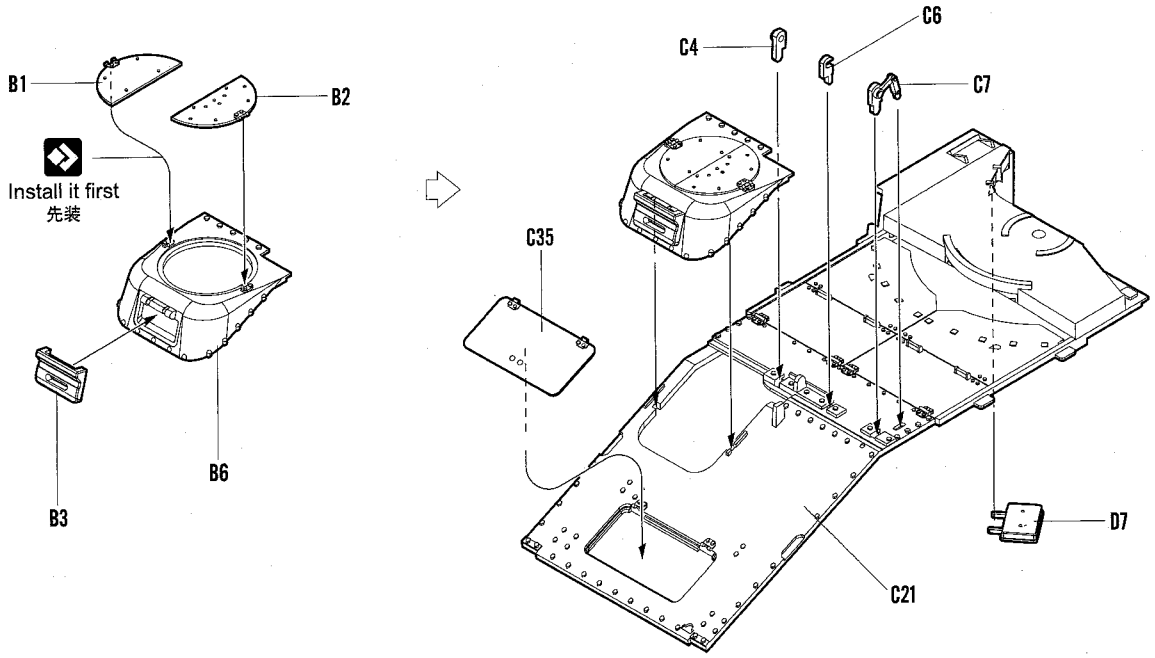
E26

E27



3
STEP

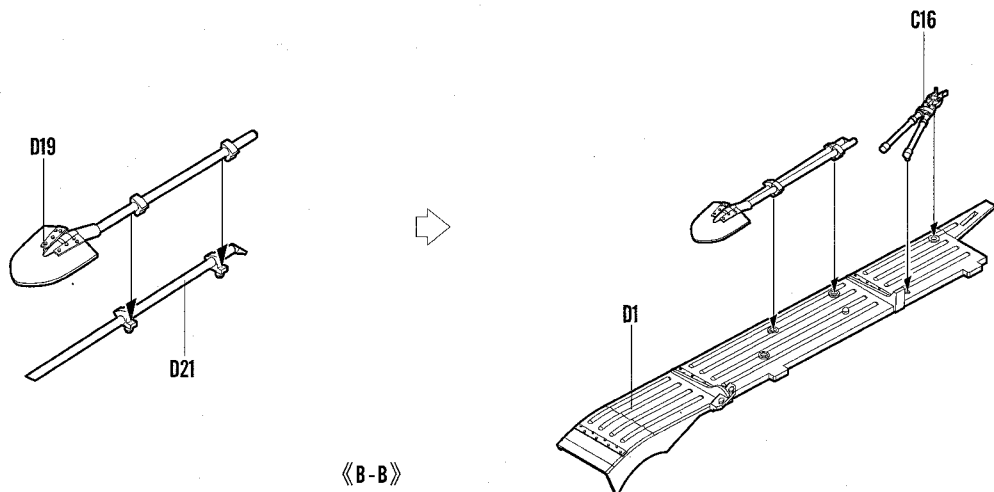
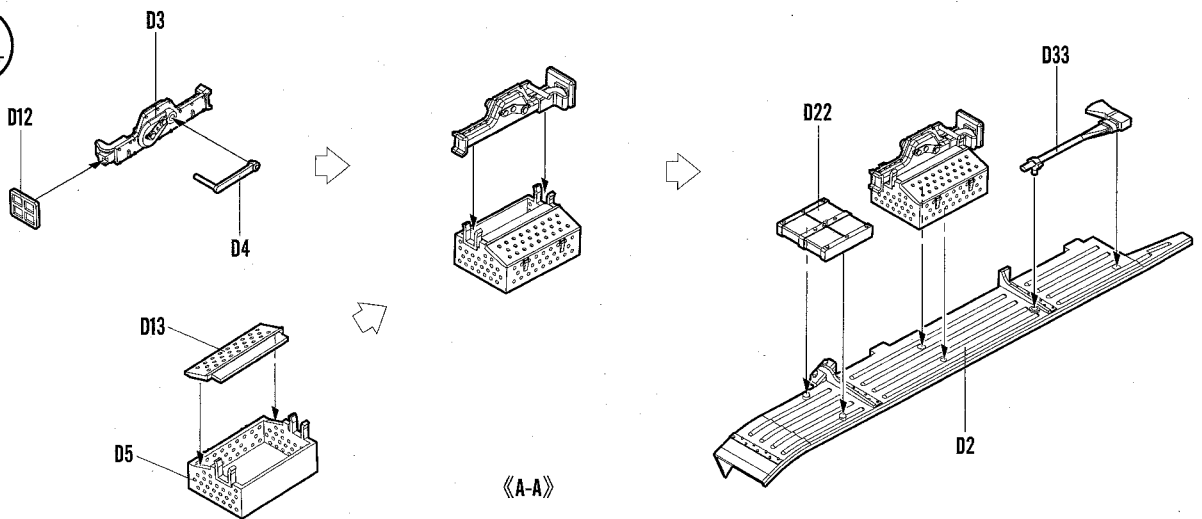
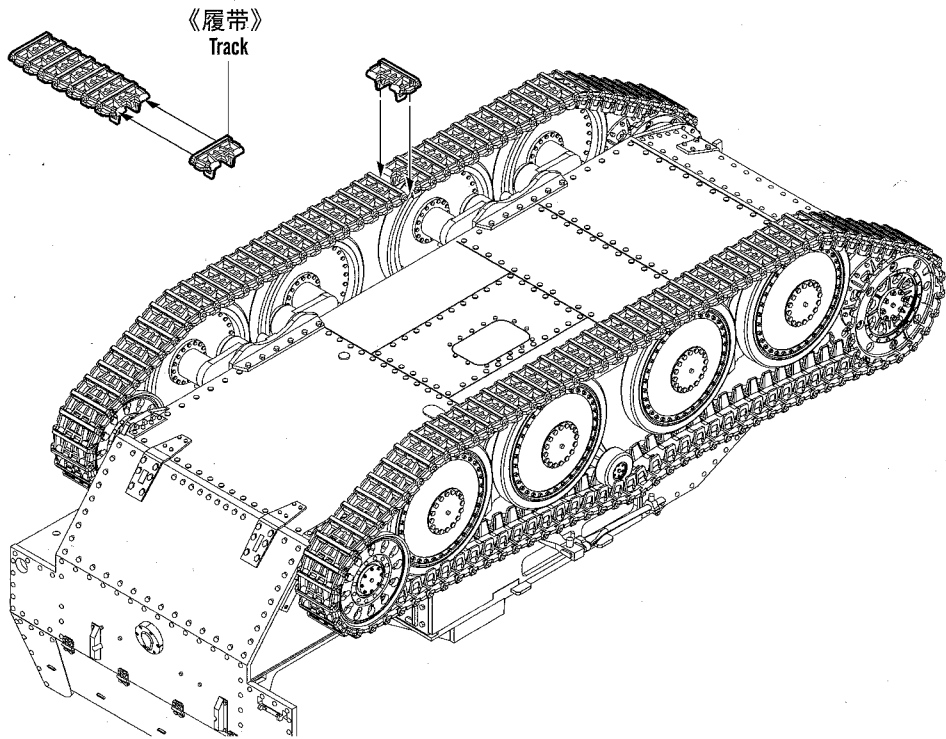






履带组装
Track assembly

单侧履约需92节
Complete track for one
side requirse 92 links

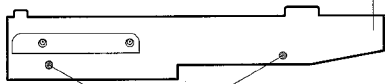




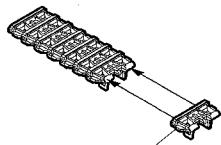
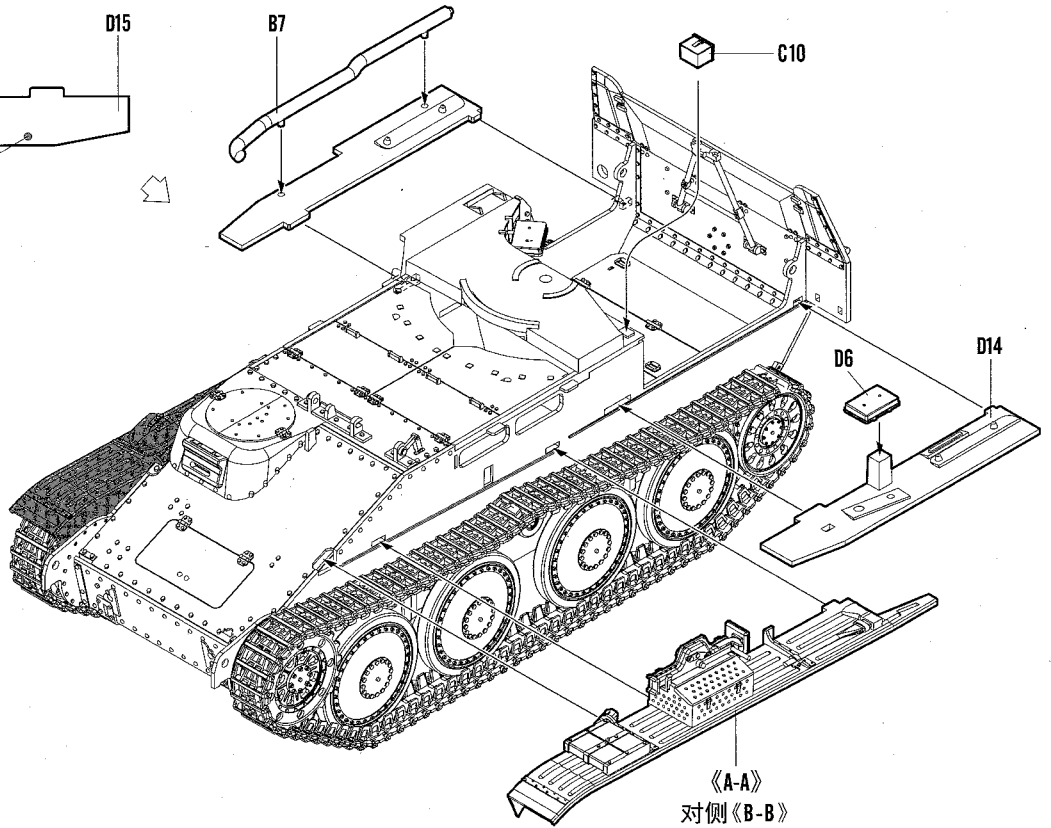
D15

B7

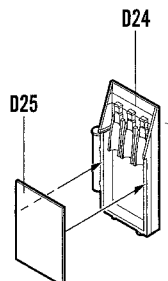
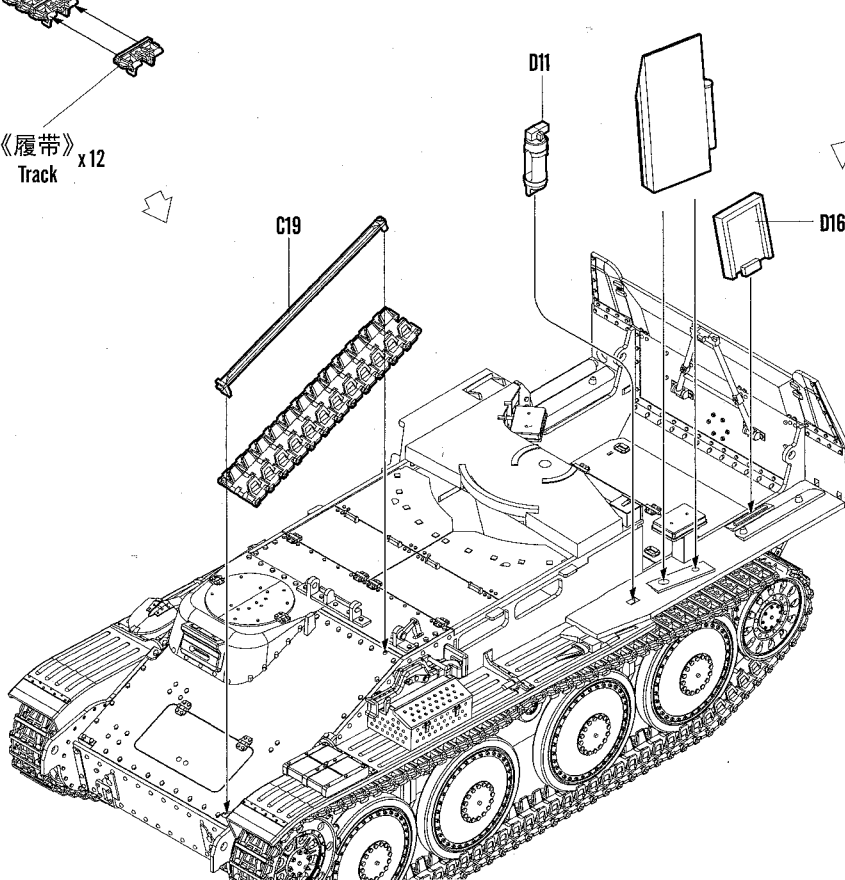
C10



Make holes
钻孔



《履带》 x12
Track



D24

D25

10
STEP

D23x6

D34

D29

C11

C5



No cement
不涂胶水

D28

D26

D35

D23x6

D27

C32

C8

C22x4

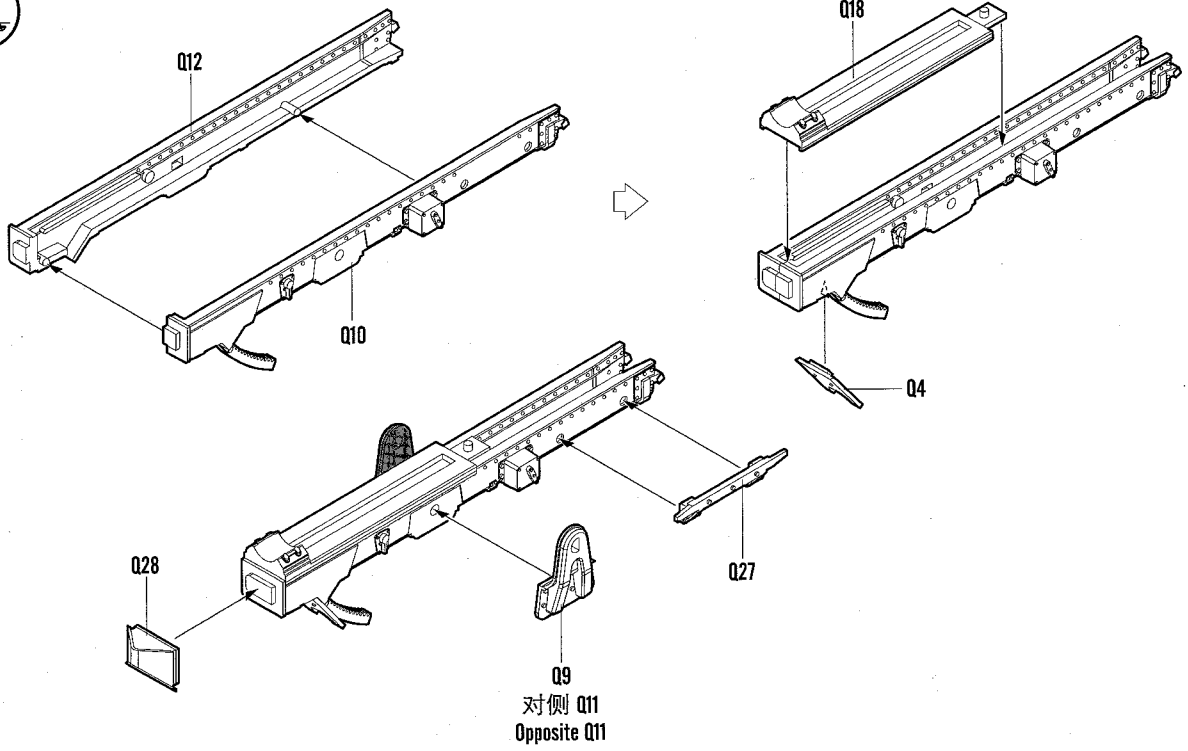
C39

C33

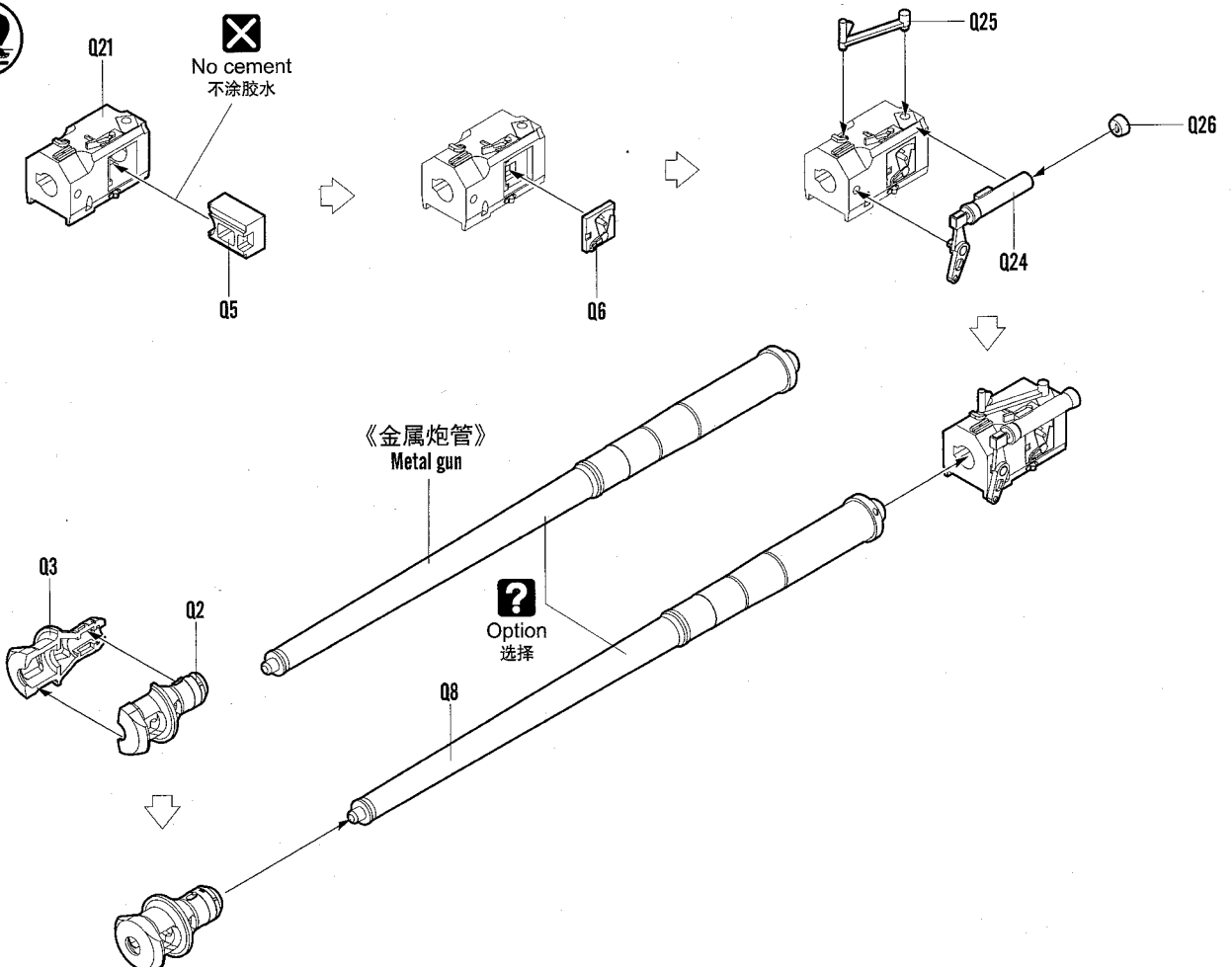
C28

对侧 C29
Opposite C29

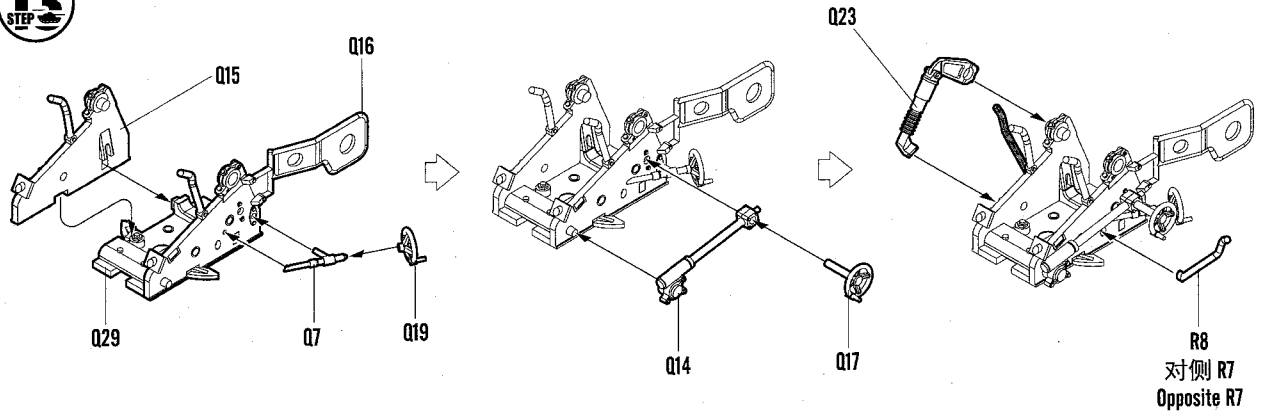
11
STEP



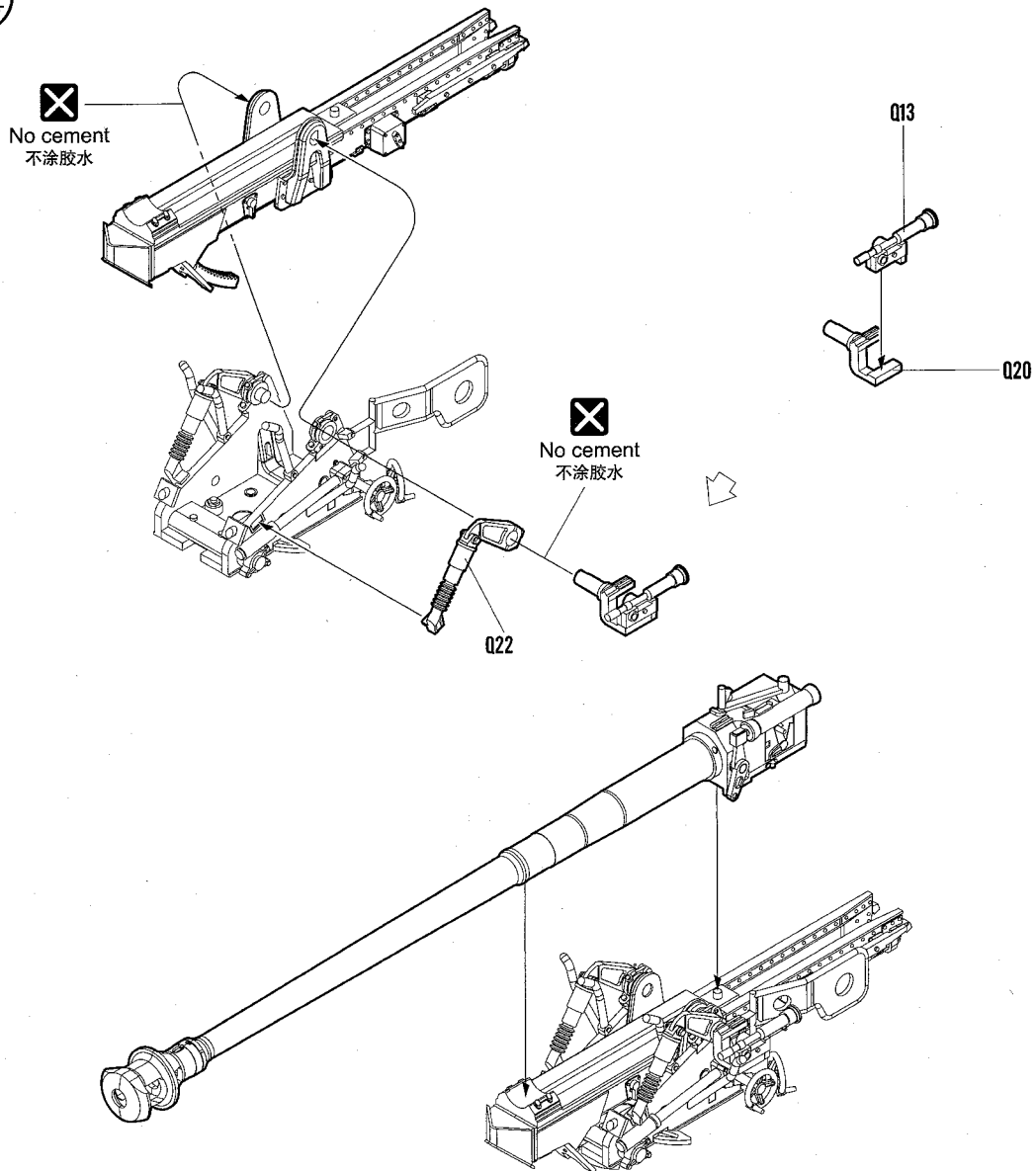
12
STEP



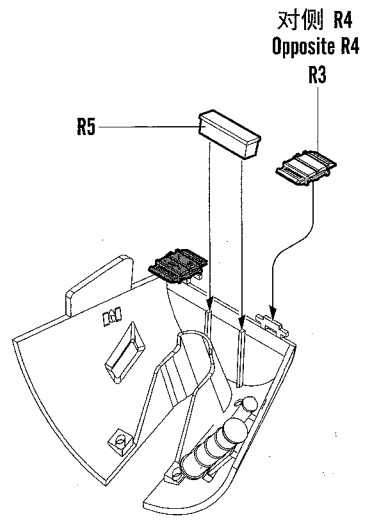
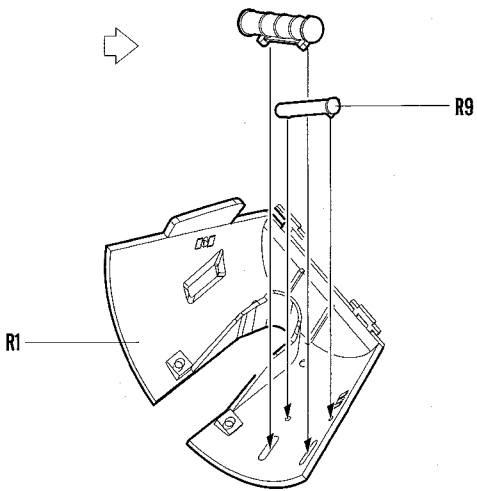
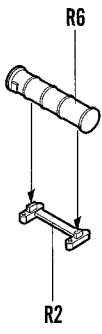
13
STEP



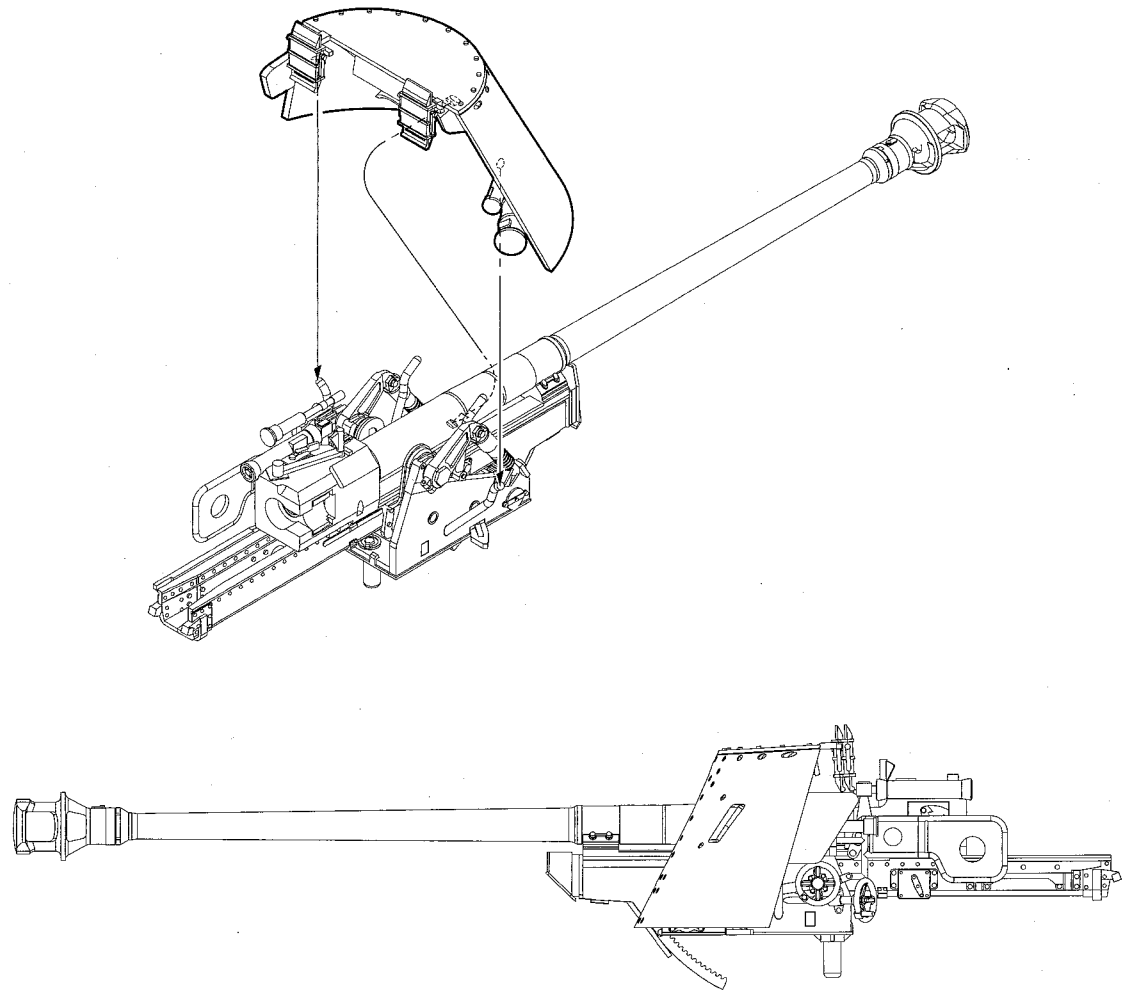
14
STEP



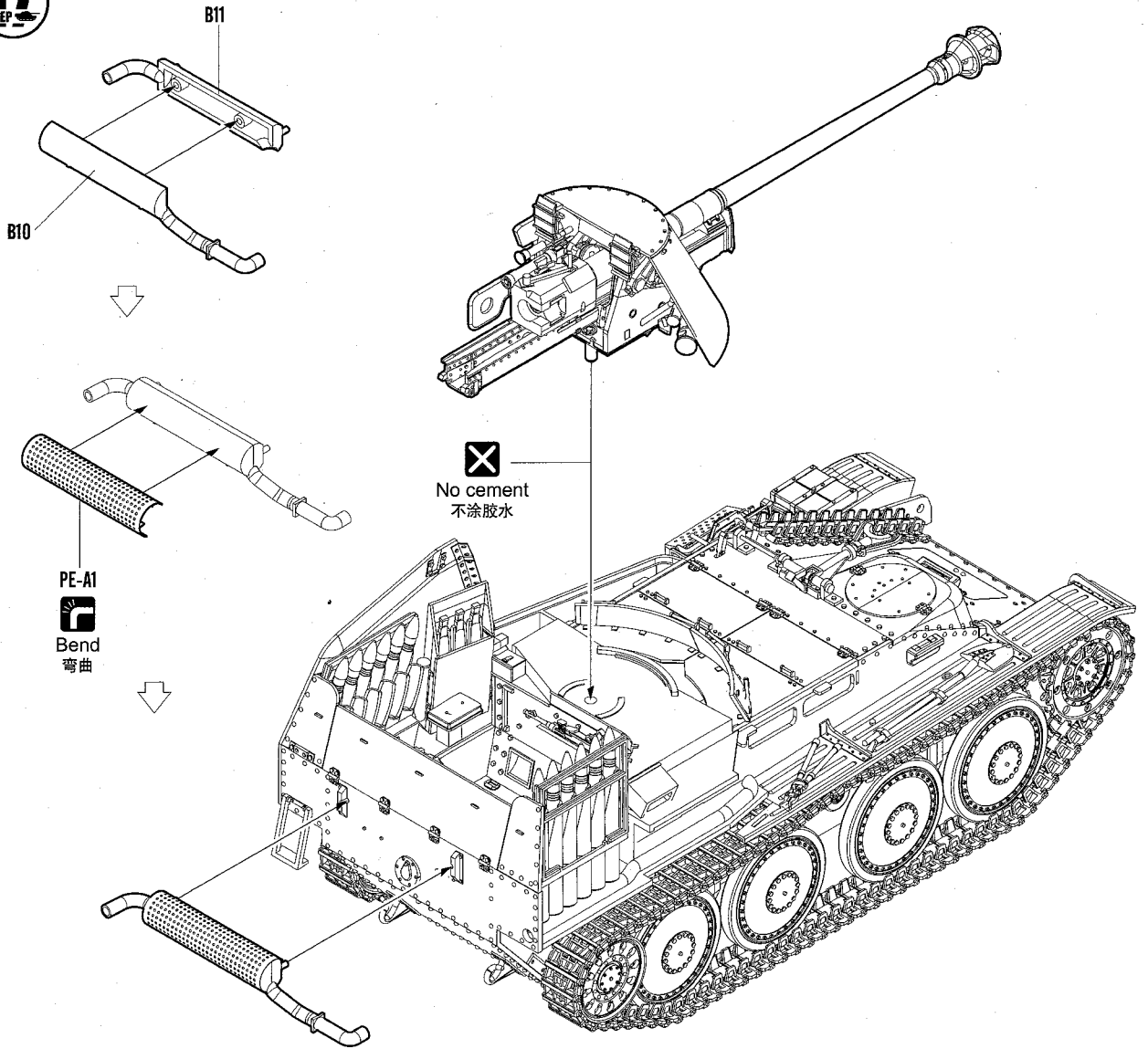
15
STEP



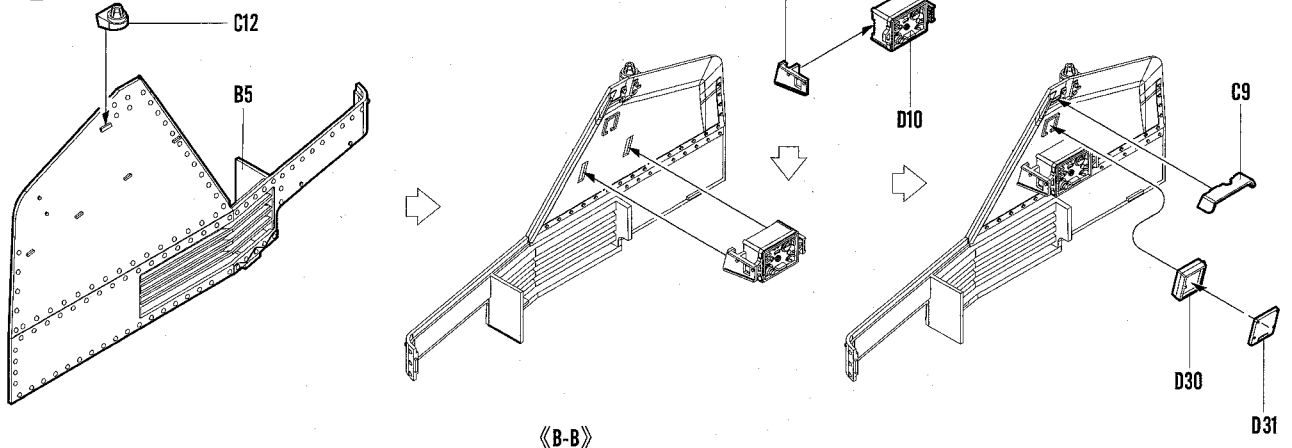
16
STEP



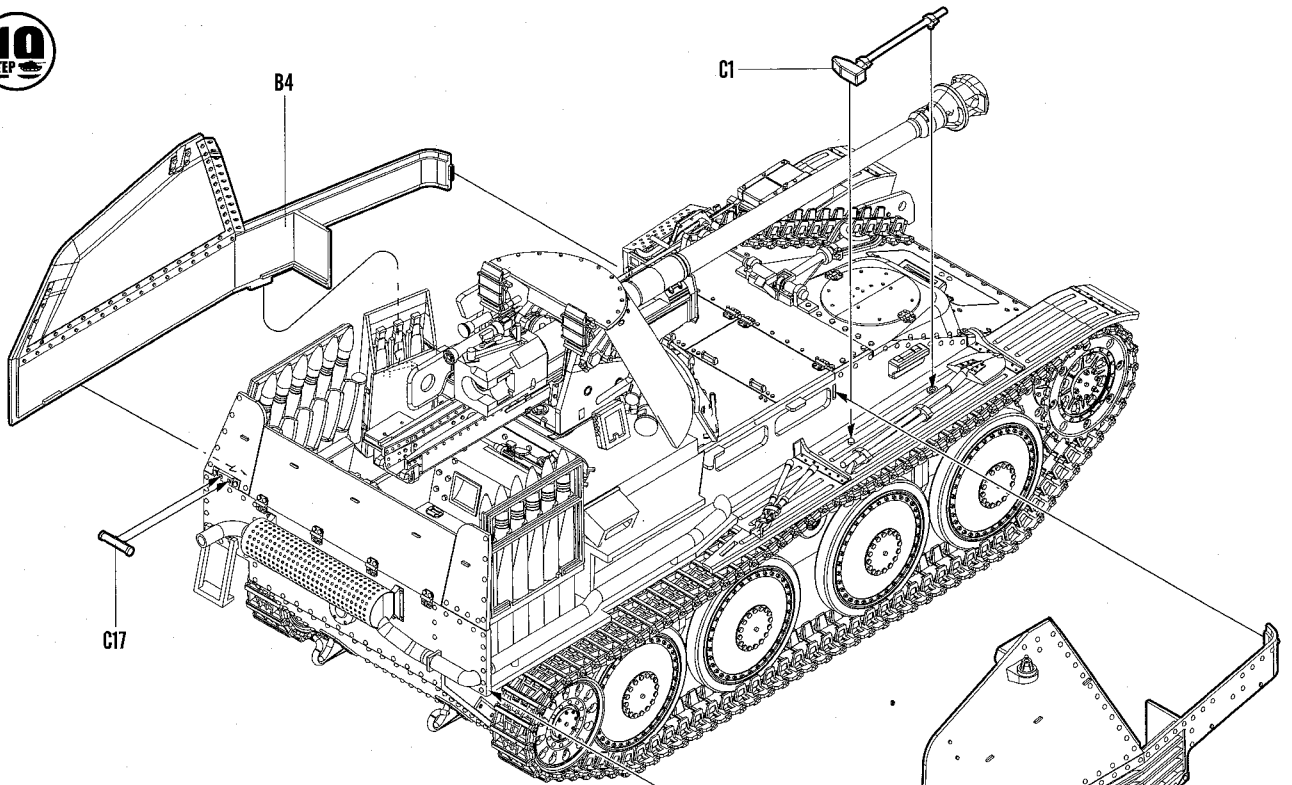
17
STEP



18
STEP



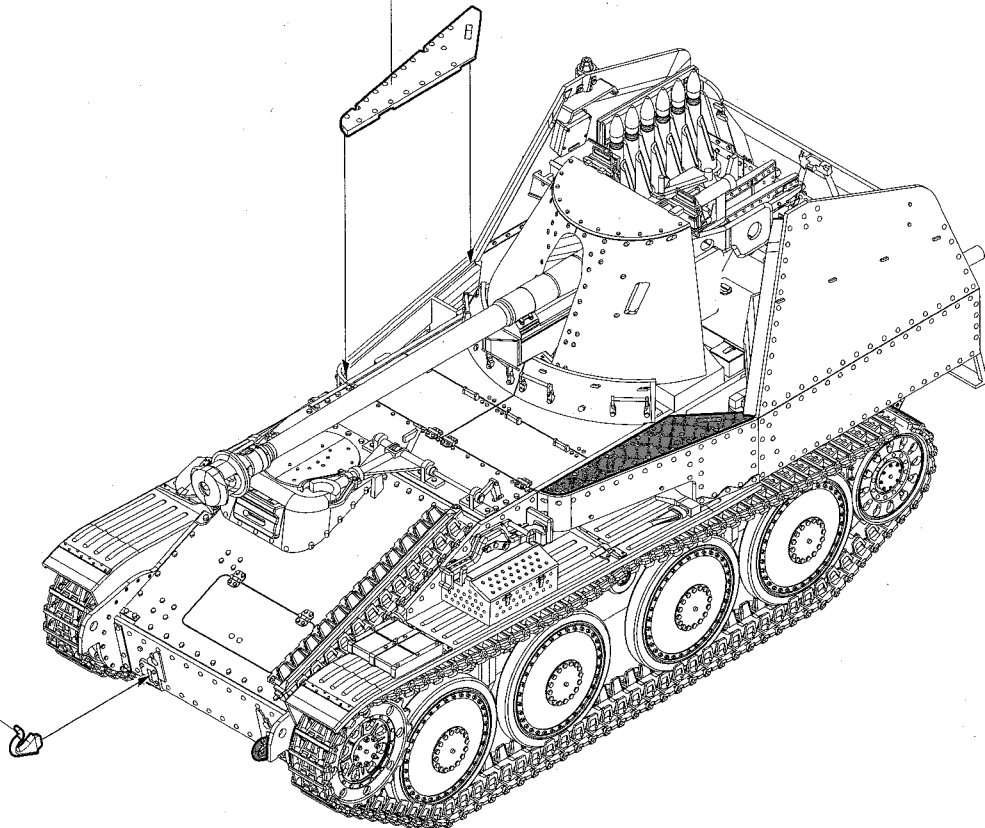
10
STEP



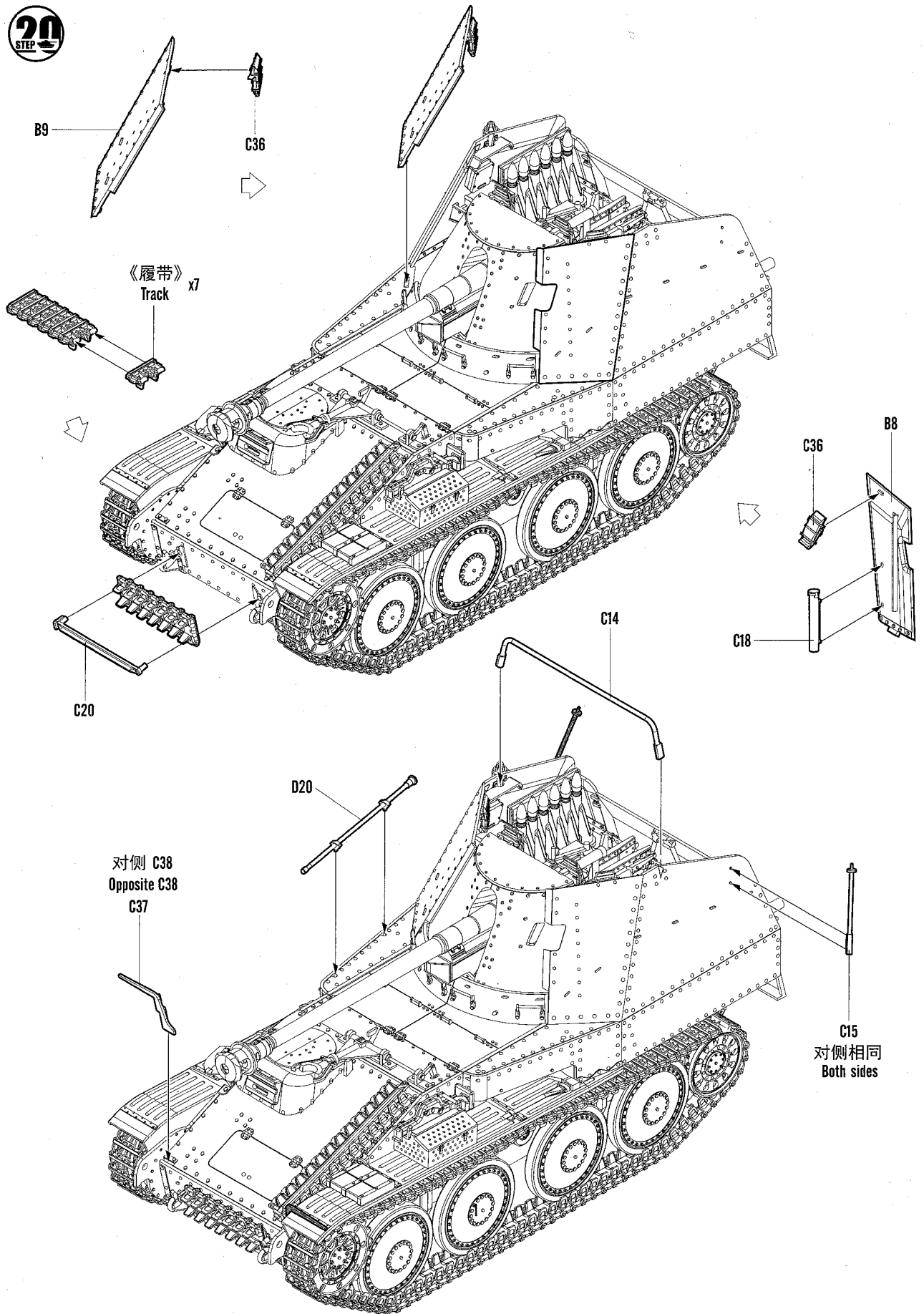
对侧 B14
Opposite B14
B13

《B-B》

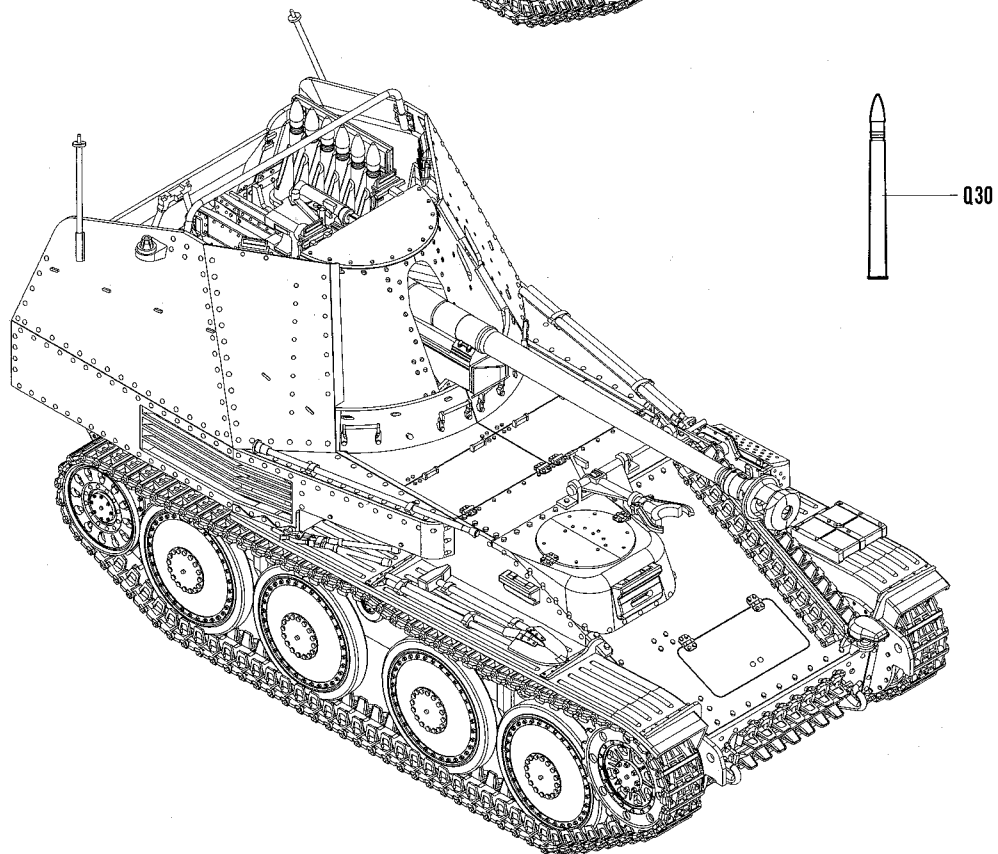
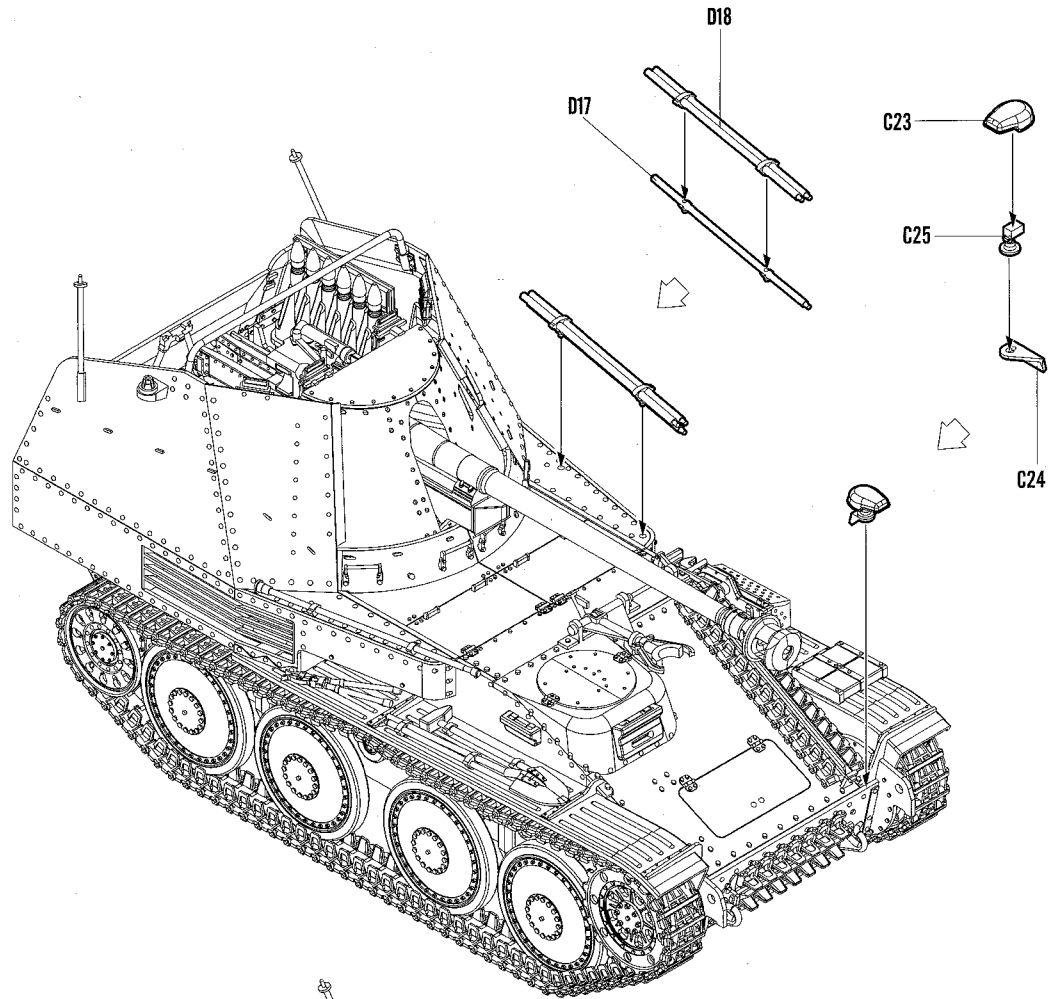
对侧 C26
Opposite C26
C27



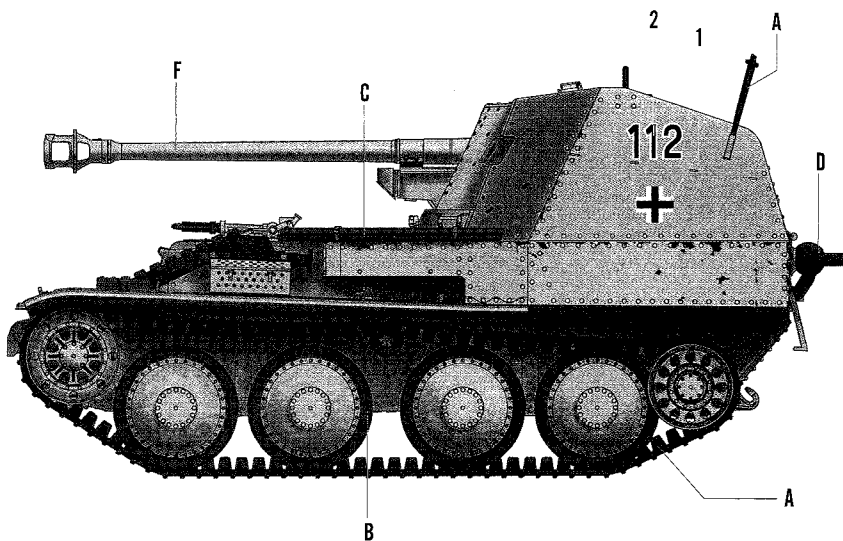
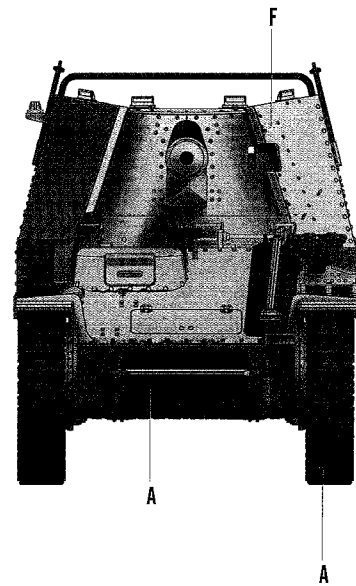
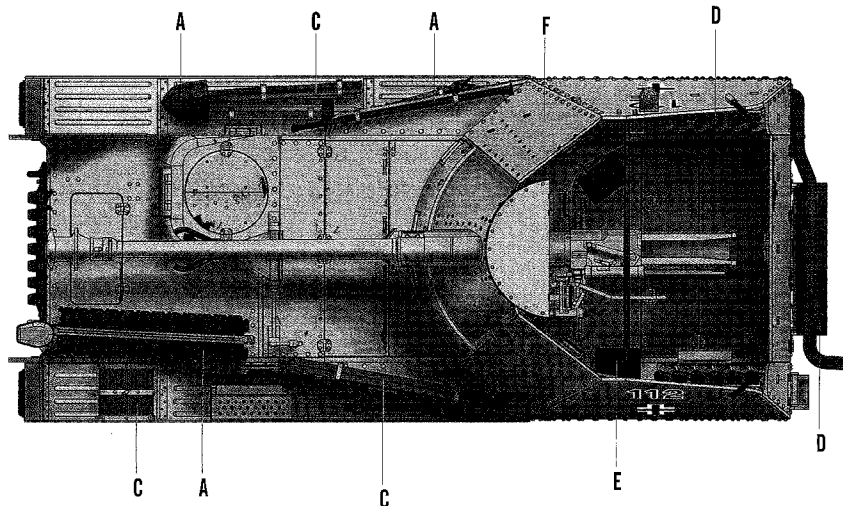
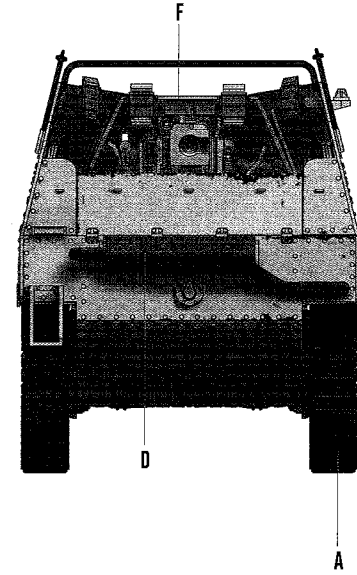
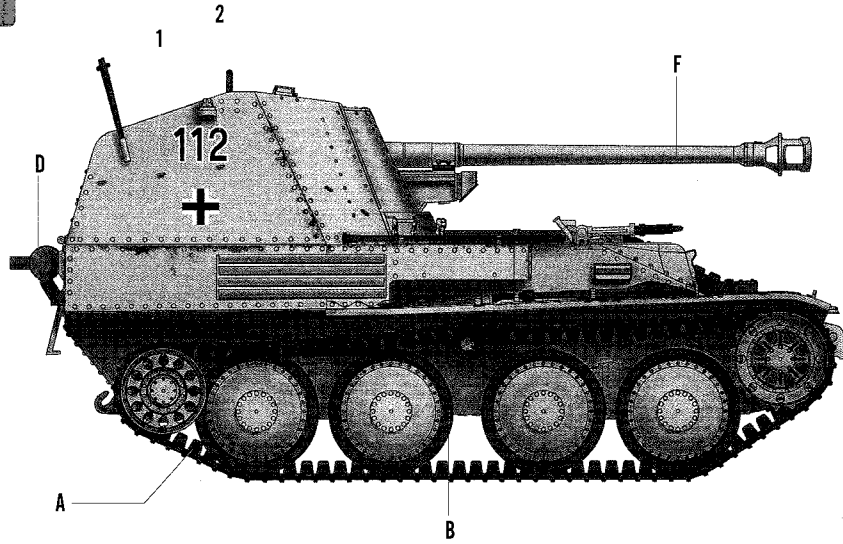
20
STEP



21
STEP



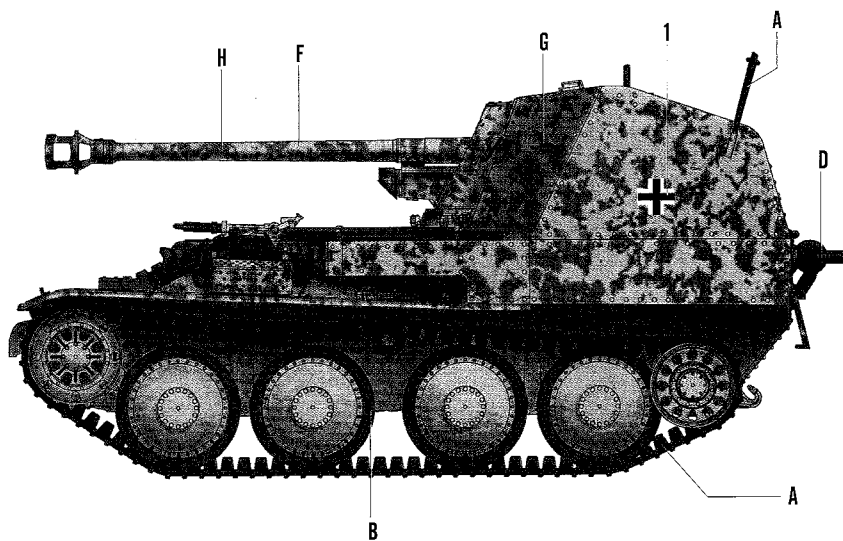
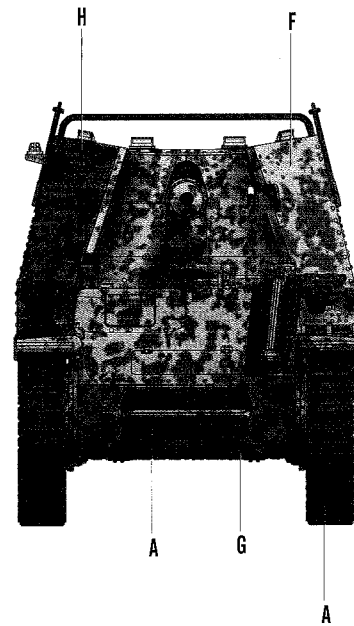
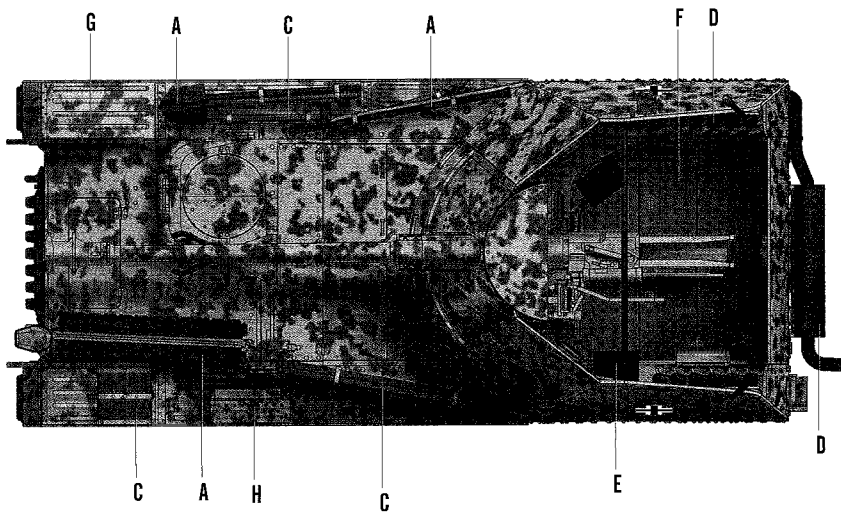
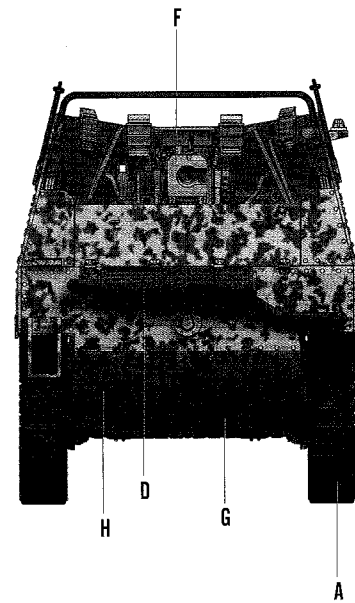
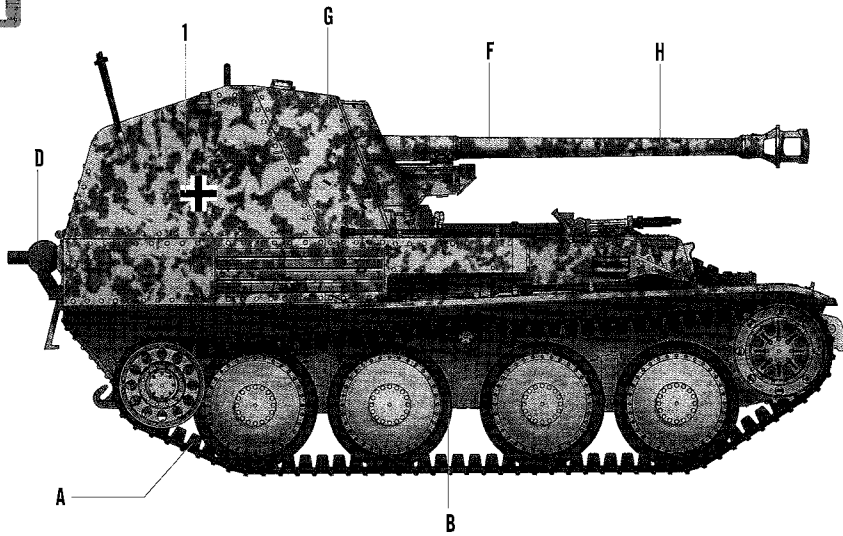
I



Color	Mr.Hobby	Vallejo	Model Master	Tamiya	Humbrol
A 黑铁色 Steel	H[18 28]	864	1402	--	--
B 胎黑色 Tire Black	H[77 137]	--	--	--	--
C 木棕色 Wood Brown	H[37 43]	983	1701	--	186

Color	Mr.Hobby	Vallejo	Model Master	Tamiya	Humbrol
D 烧铁色 Burnt Iron	H[76 61]	863	1795	X10	53
E 黑(哑光) Flat Black	H[12 33]	950	1749	XF1	33
F 砂黄色 Sandy Brown	H[79 39]	842	--	XF59	93

II



Color	Mr.Hobby	Vallejo	Model Master	Tamiya	Humbrol
A 黒鉄色 Steel	H[18 23]	864	1402	--	--
B 胎黒色 Tire Black	H[77 137]	--	--	--	--
C 木棕色 Wood Brown	H[37 43]	983	1701	--	186
D 烧鉄色 Burnt Iron	H[76 61]	863	1795	X10	53

Color	Mr.Hobby	Vallejo	Model Master	Tamiya	Humbrol
E 黒(哑光) Flat Black	H[12 33]	950	1749	XF1	33
F 砂黄色 Sandy Brown	H[79 39]	842	--	XF59	93
G 暗緑色 Dark Green	H[70]	--	--	--	--
H 紅棕色 Red Brown	H[47 41]	984	--	XF64	160