

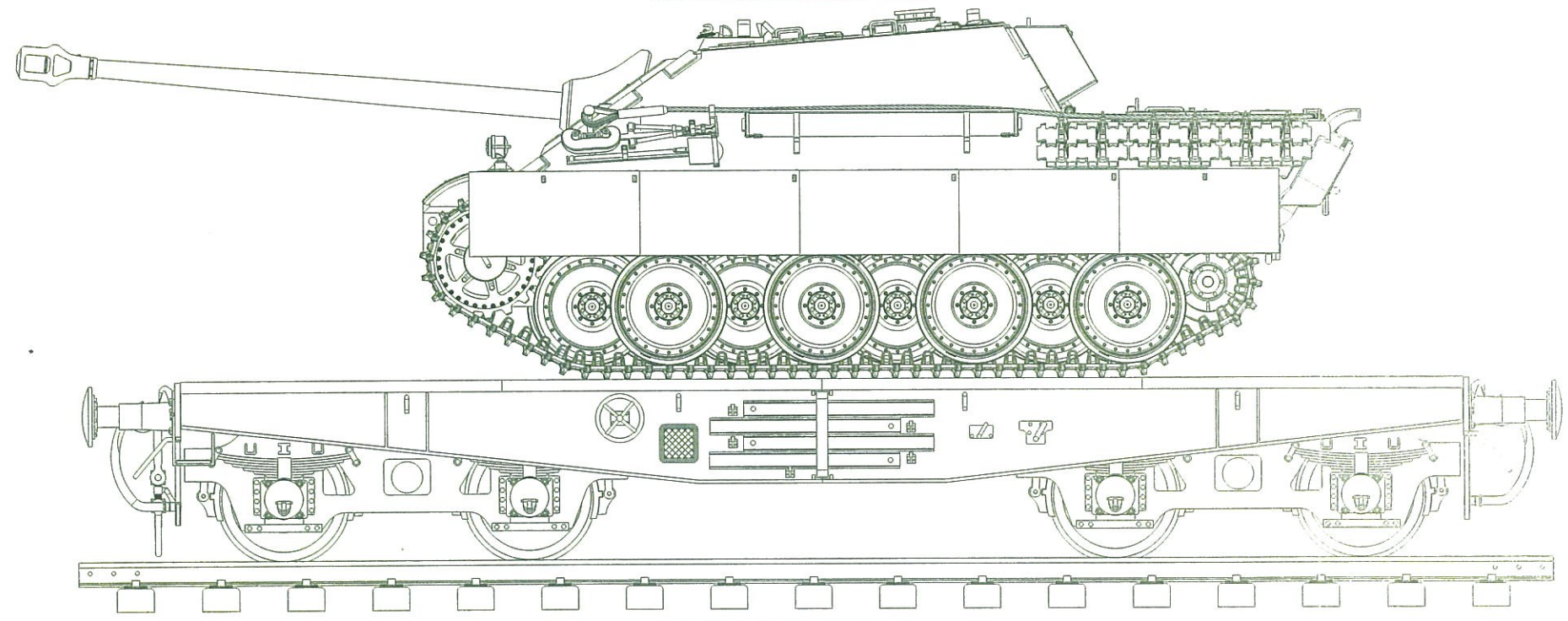
# JAGDPANTHER G1 EARLY PRODUCTION W/ ZIMMERIT & SCHWERER PLATTFORMWAGEN TYPE S

INTERIOR NOT INCL

LIMITED E



JAGDPANTHER G1 Early Production w/ Zimmerit



SCHWERER PLATTFORMWAGEN Type SSys



03.02.2125X

# READ BEFORE ASSEMBLY

## CAUTION

- Read carefully and fully understand the instructions before commencing assembly. A supervising adult should also read the instructions if a child assembles the model.
- When assembling this kit, tools including knives used. Extra care should be taken to avoid personal injury.
- Keep out of reach of small children. Children must not be allowed to suck any part, or pull vinyl bag over their heads.



Optional



Remove



Instant Glue for Metal



Drill

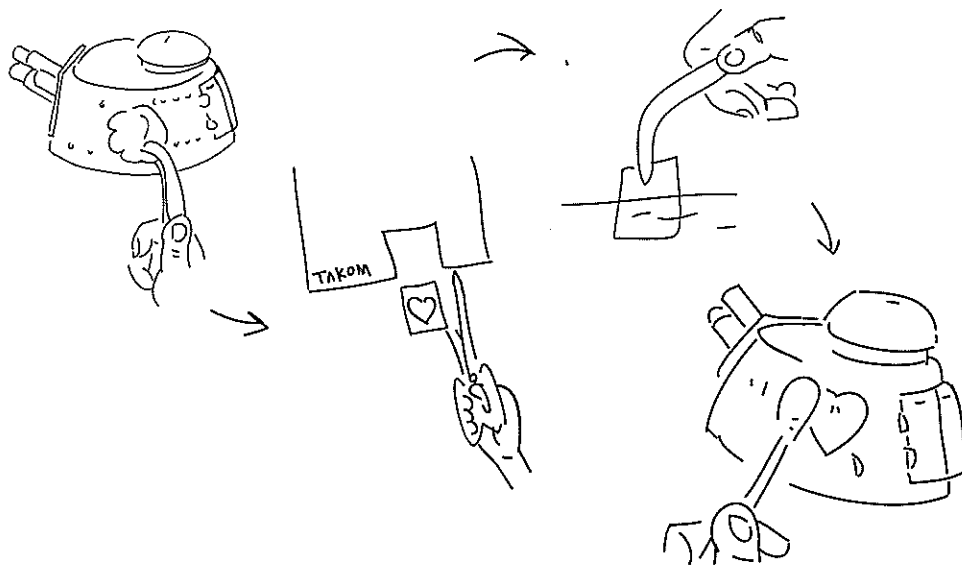
## PAINTS REQUIRED

Color info and profiles by Mig Jimenez

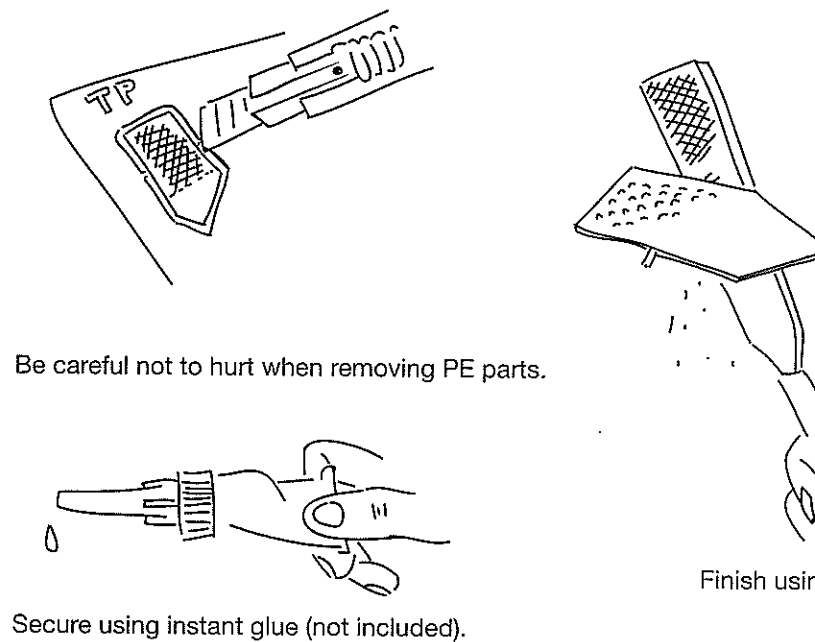
	Rubber & Tires		Dark Tracks		Light Wood		Dark Rust
	Gun Metal		Crystal Periscope Green		Olivgrun Opt.2		Dunkelgelb Mid war
	Schokobroun		Old Wood		Medium Rust		New Wood
	Dunkelgrau		Olivgrun Opt.1				

## APPLYING DECALS

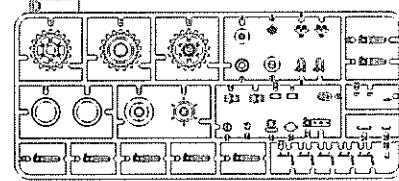
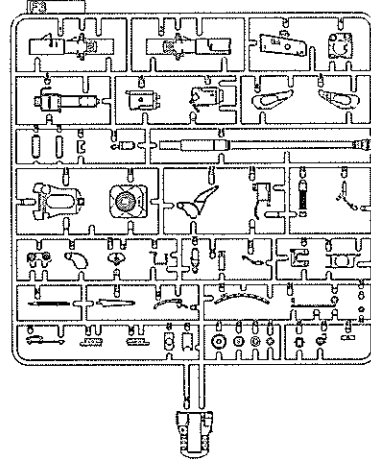
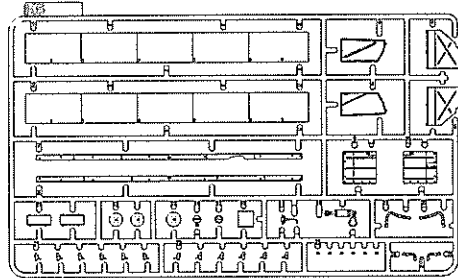
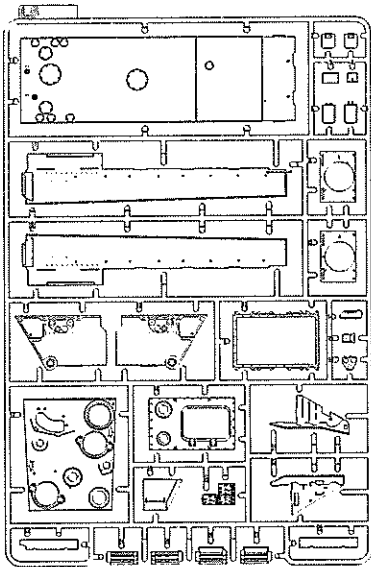
1. Clean the model surface with a wet cloth.
2. Cut out each decal design from sheet, and dip it in tepid water for 15~20 sec.
3. Hold the backing sheet edge and slide decal onto the model.
4. Move decal into position by wetting decal with finger.
5. Press decal gently down with a soft cloth until excess water and air bubbles are gone.



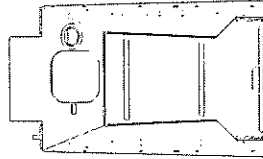
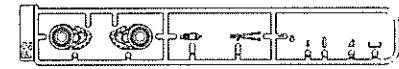
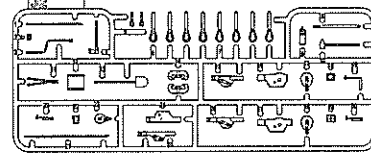
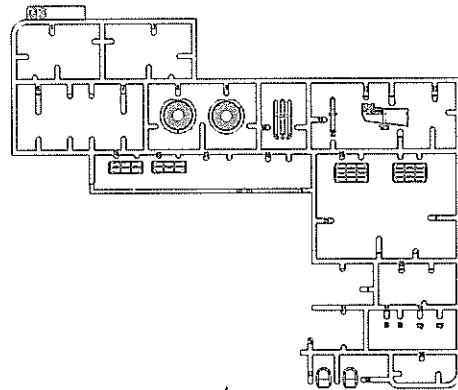
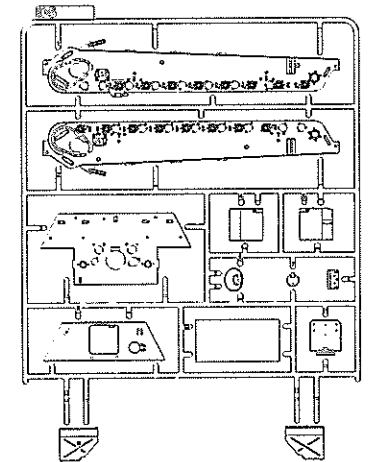
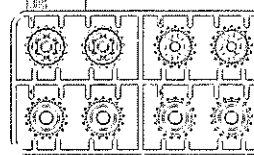
## REMOVING PE



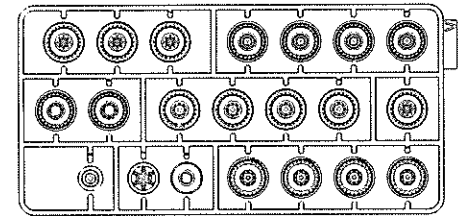
# PARTS



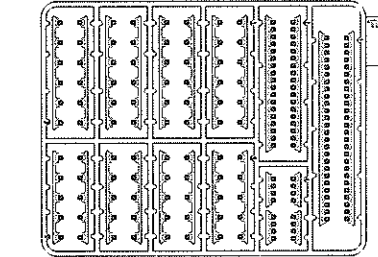
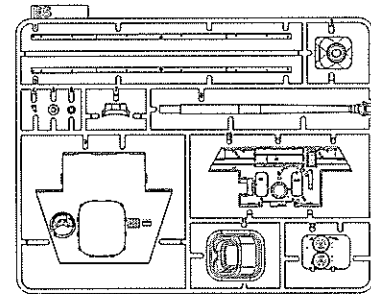
X2



M14



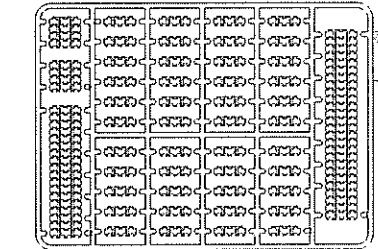
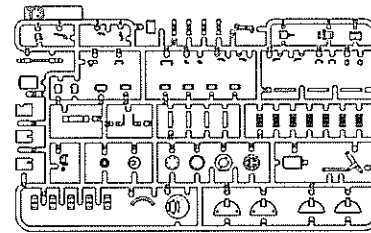
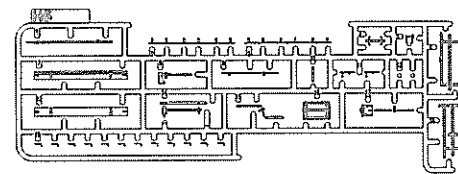
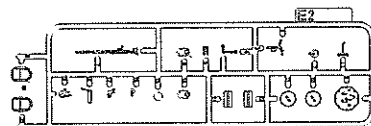
X2



X2



Z2



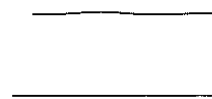
X2



Z1



TP

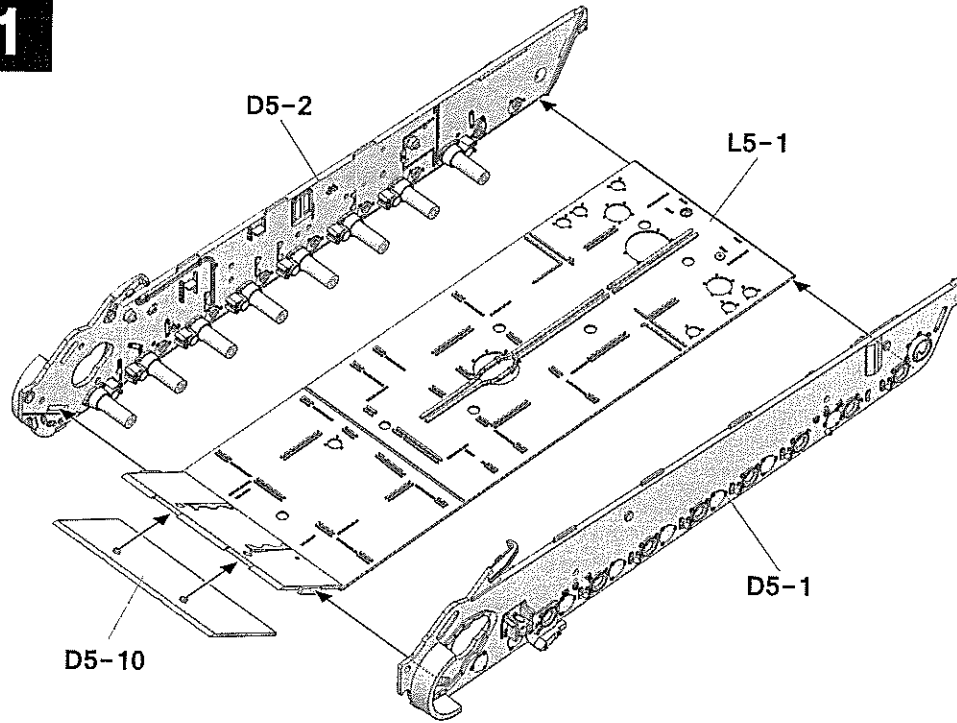


Cable

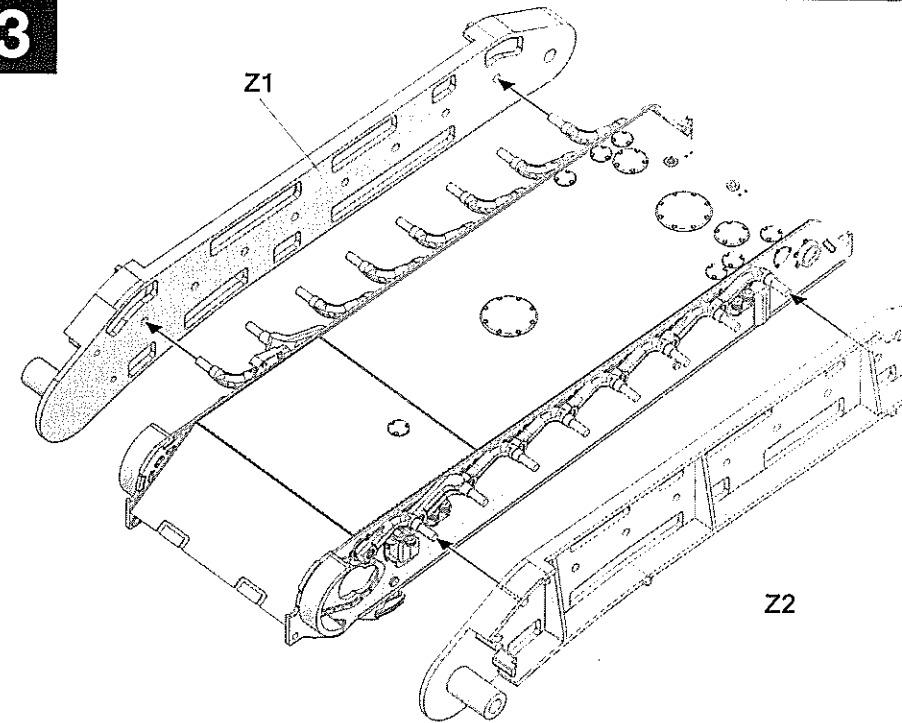
113 123 233 332  
 113 123 233 332  
 + + + + + + + + + +  
 + + + + + + + + + +  
 + + + + + + + + + +  
 + + + + + + + + + +  
 + + + + + + + + + +

Decal

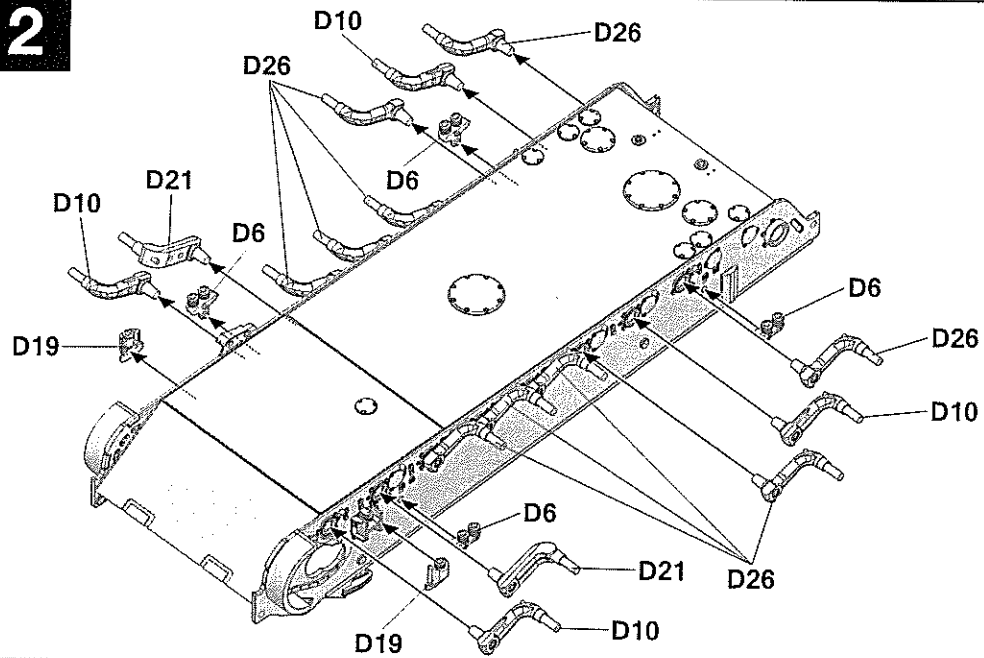
1



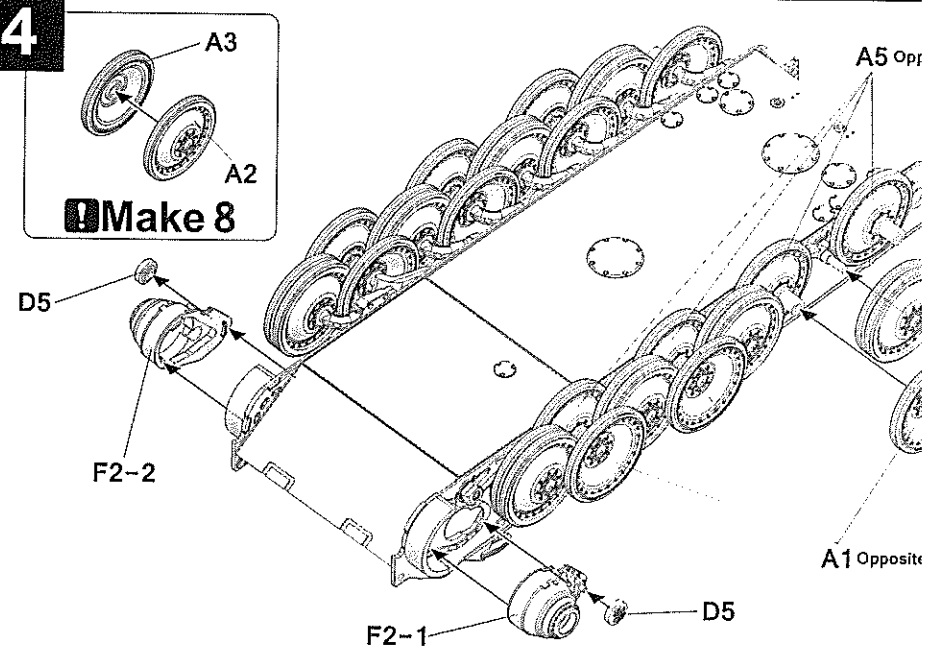
3



2

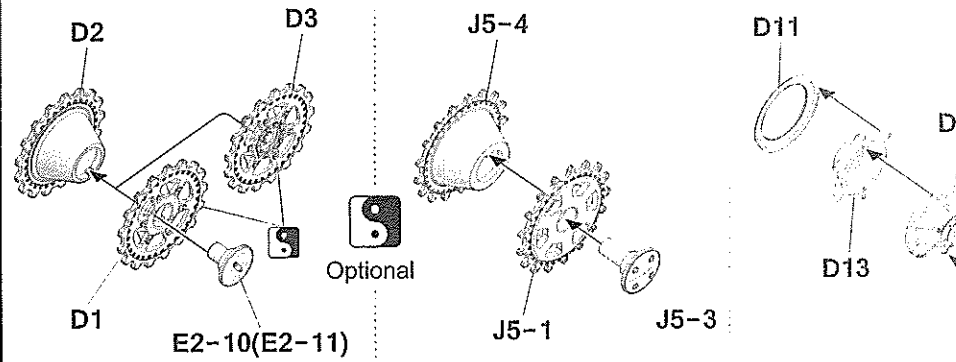
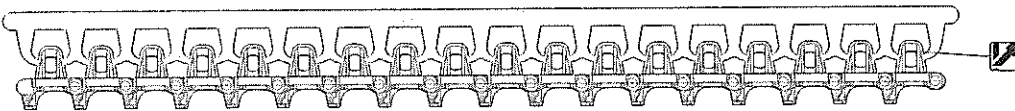
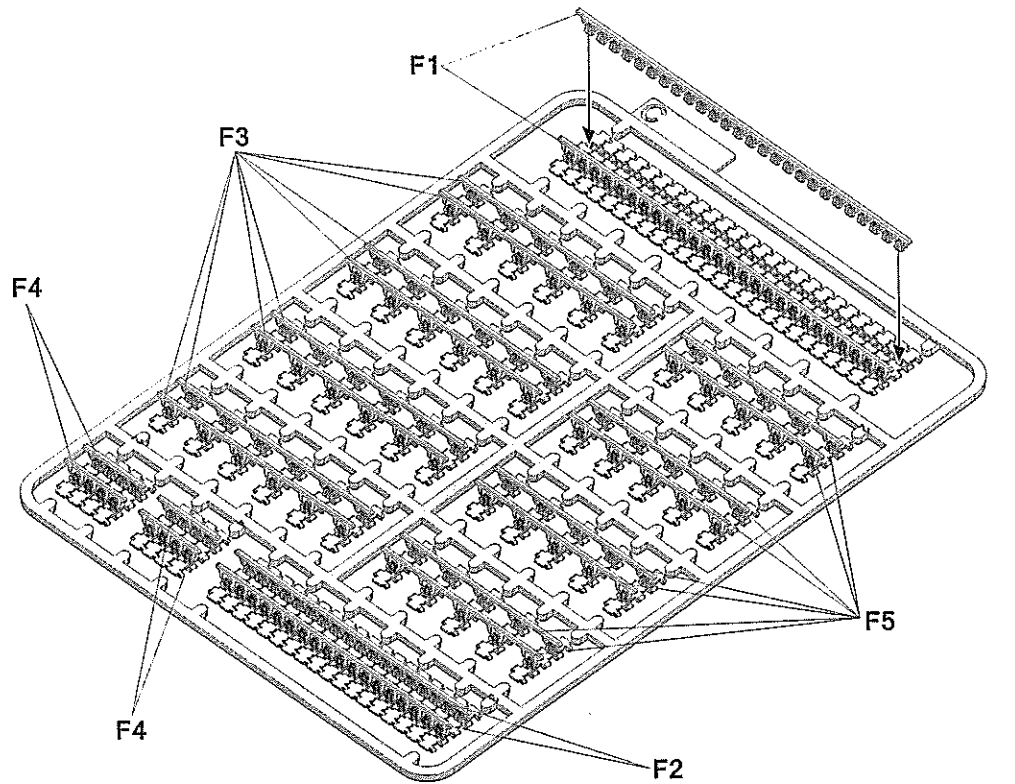
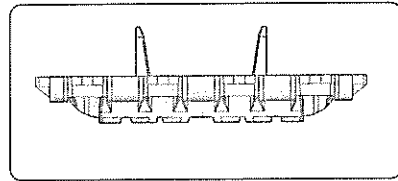


4



3

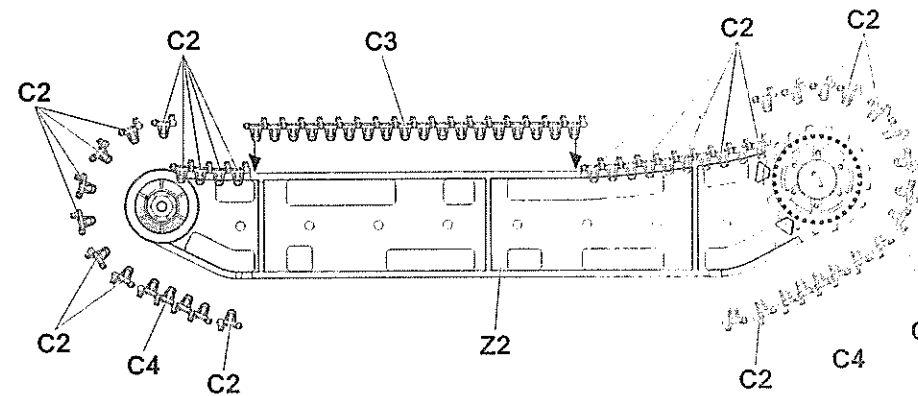
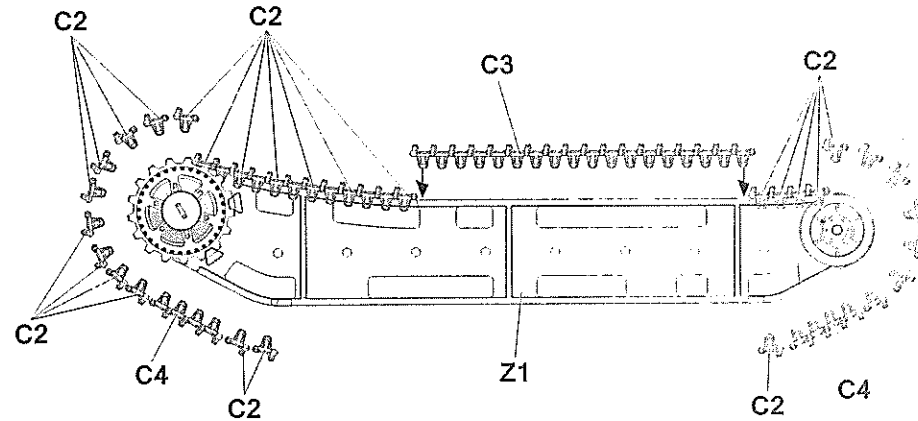
5



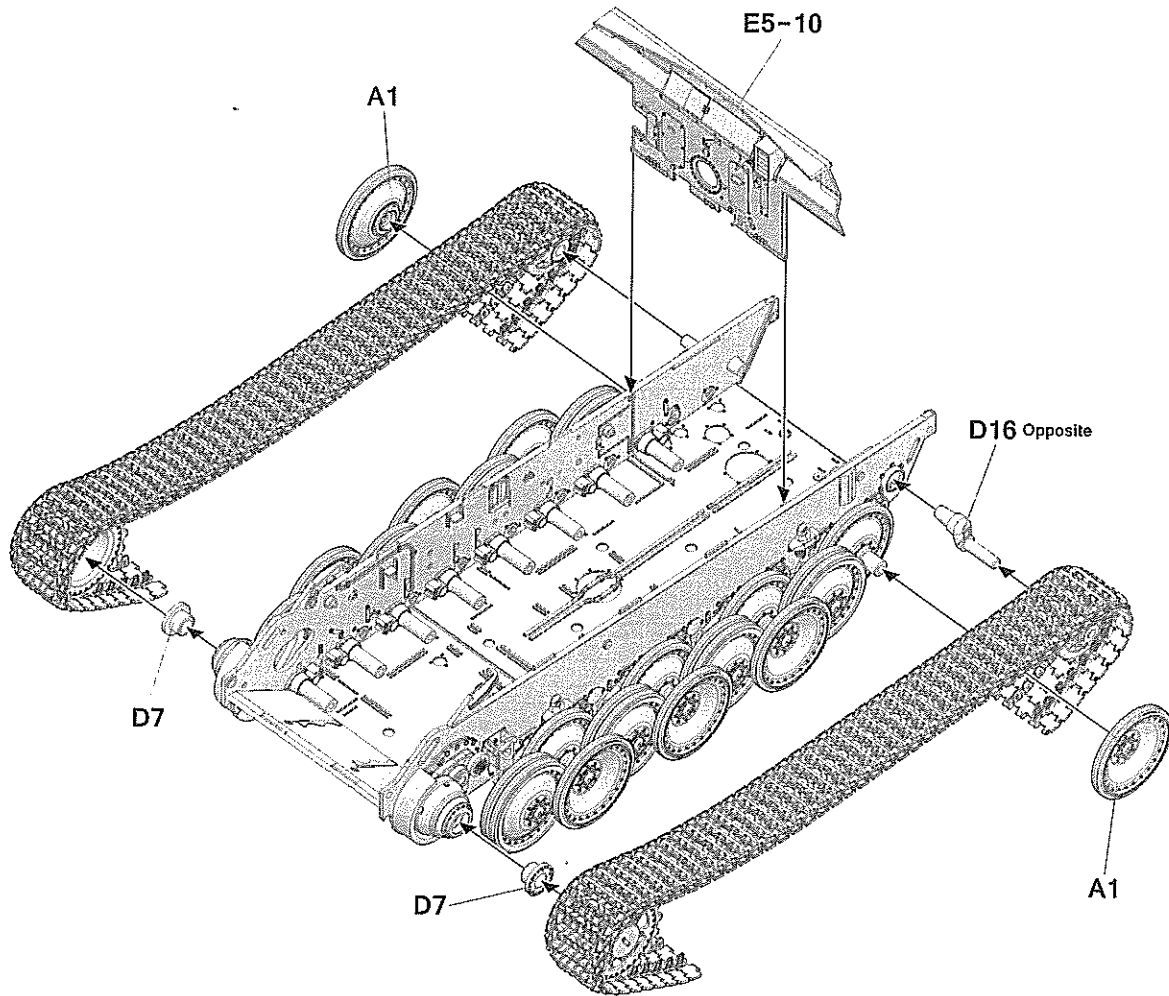
Make 2

Make 2

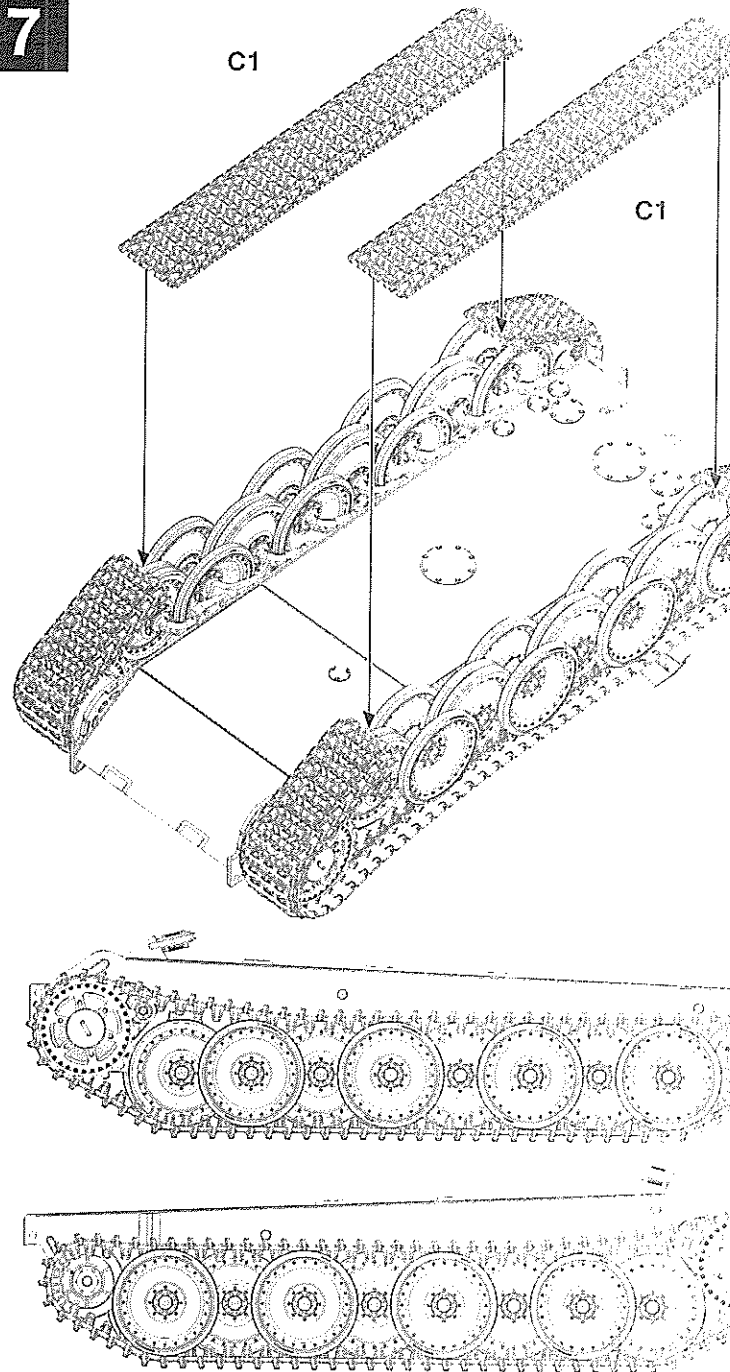
Make



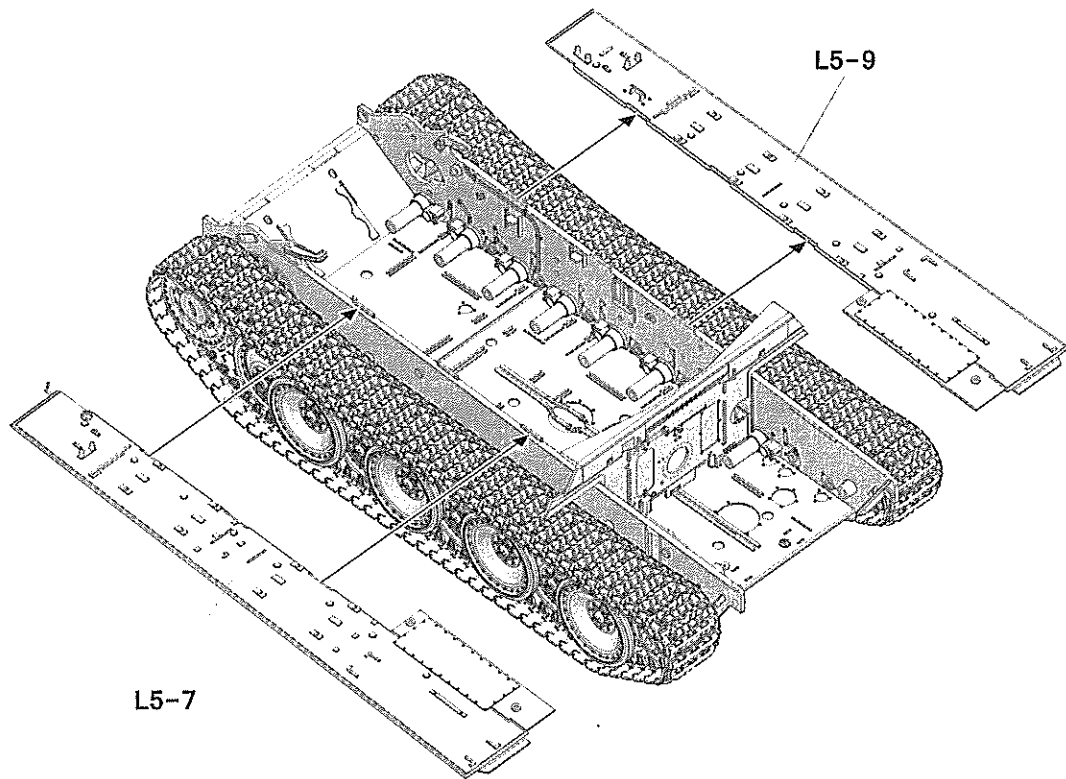
6



7



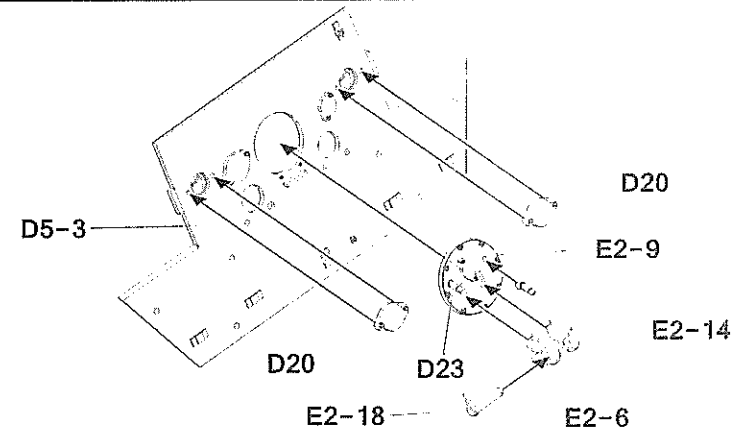
8



L5-7

L5-9

9



D20

E2-9

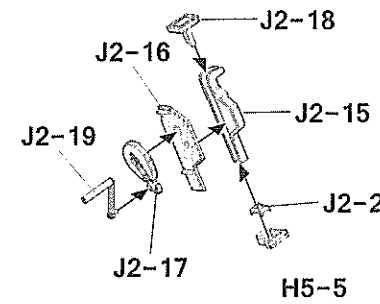
E2-14

D20

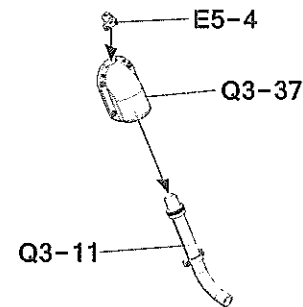
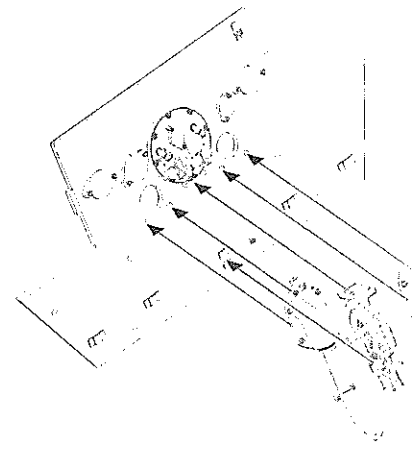
D23

E2-18

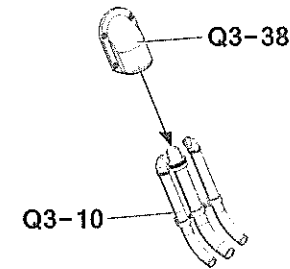
E2-6



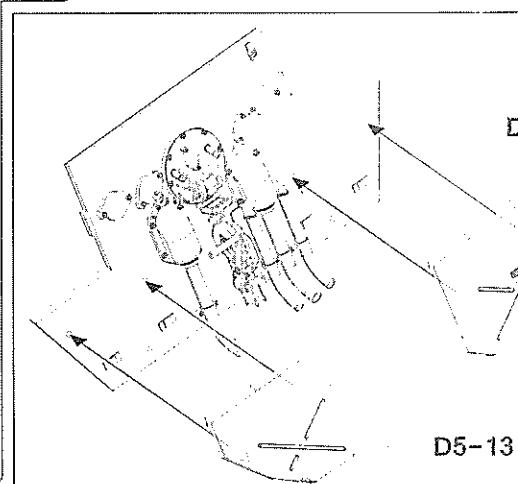
H5-5



Q3-11

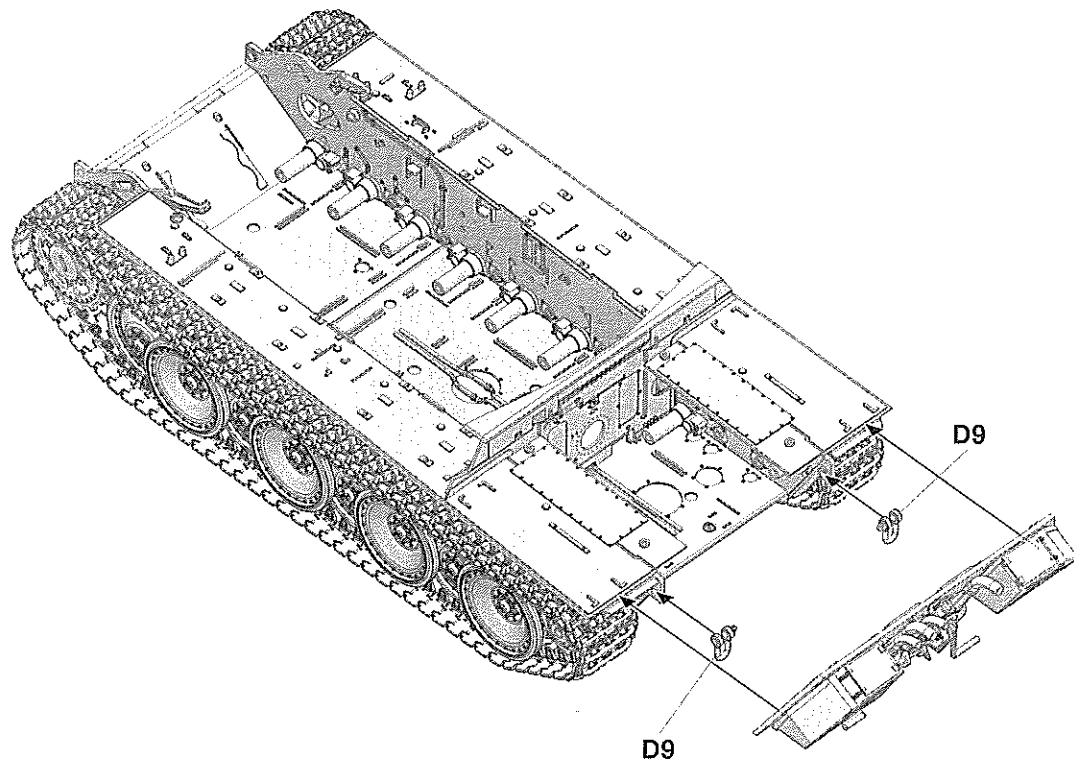


Q3-10

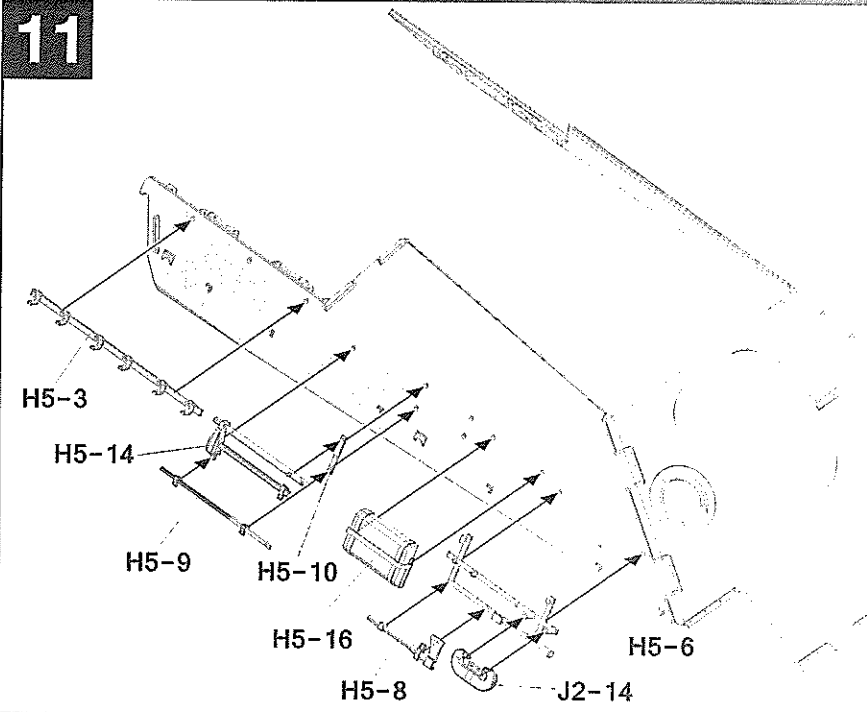


D5-13

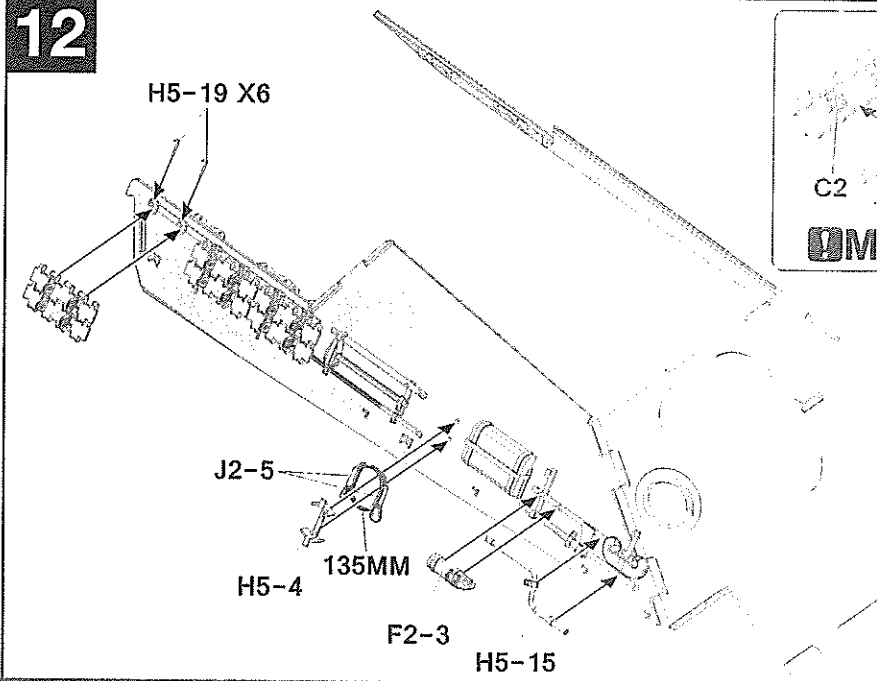
10



11

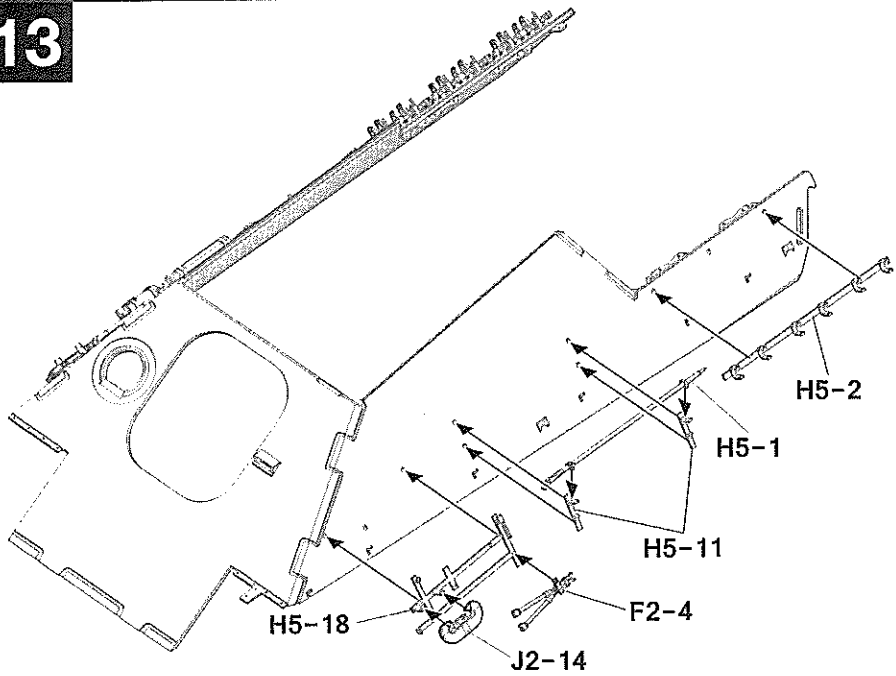


12

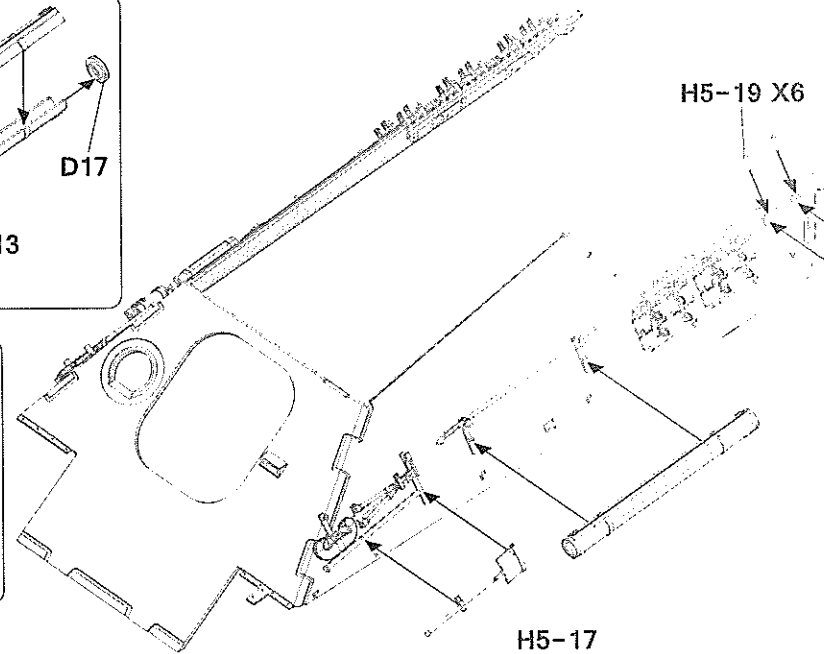
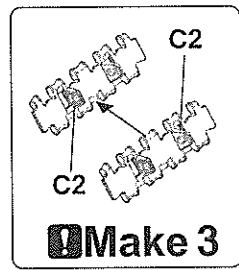
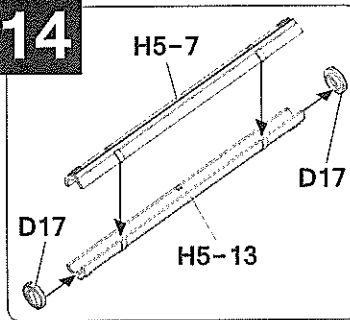




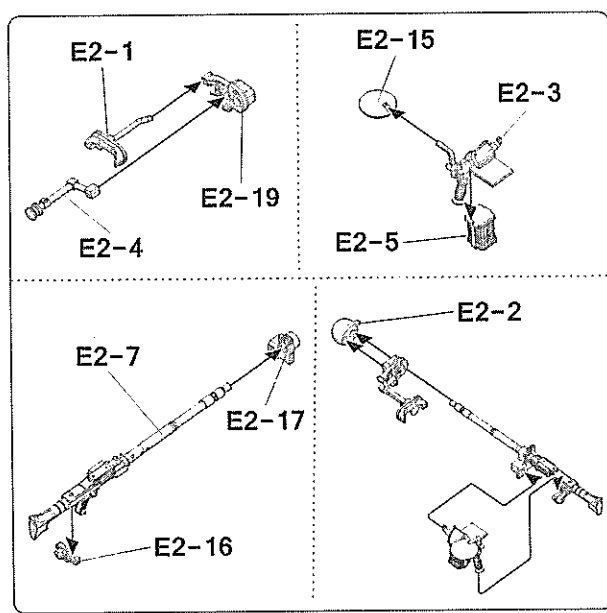
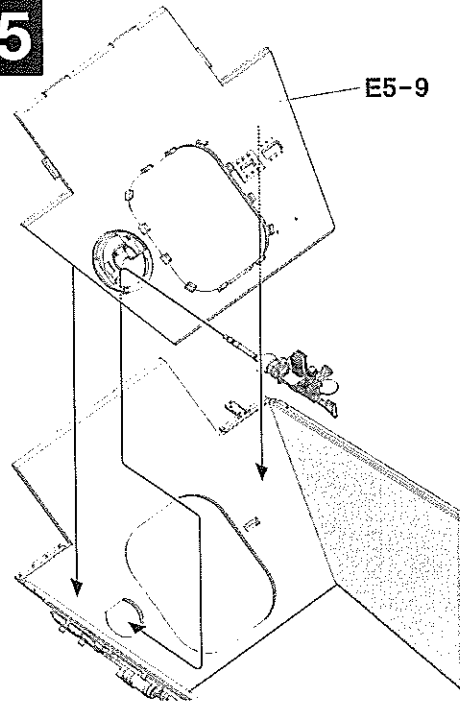
13



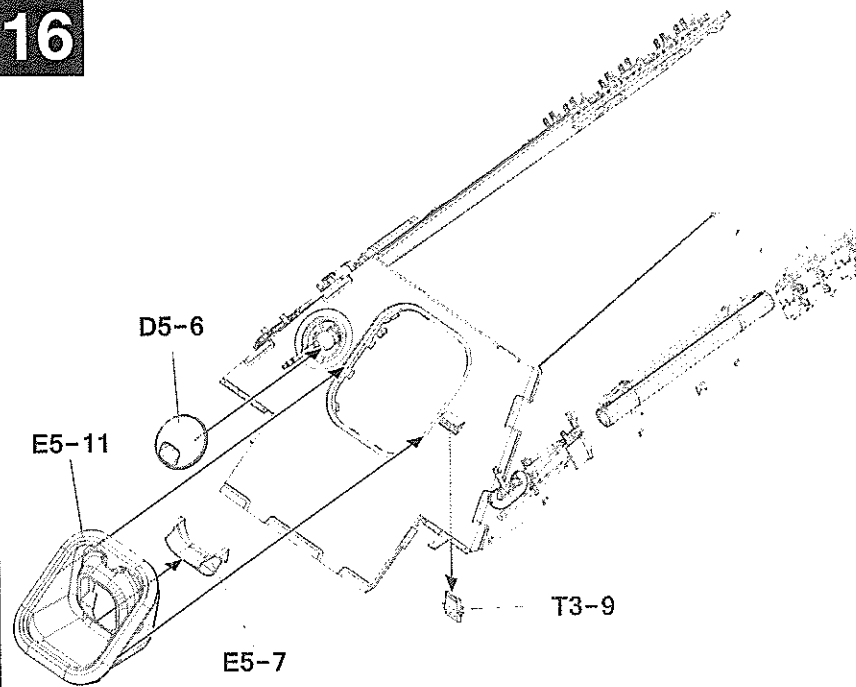
14

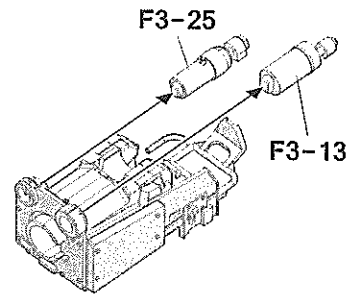
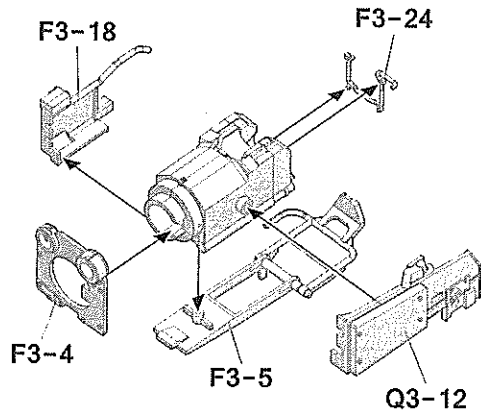
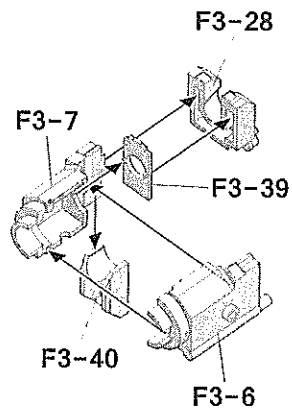
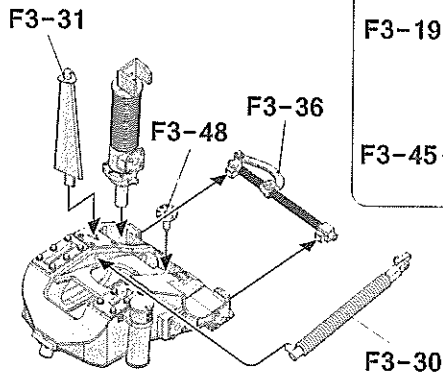
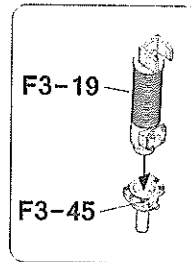
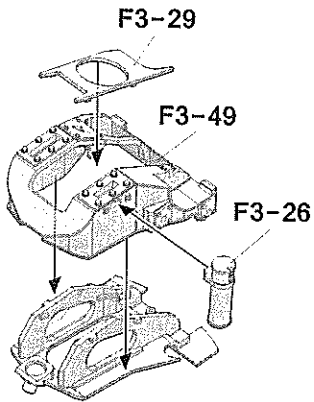
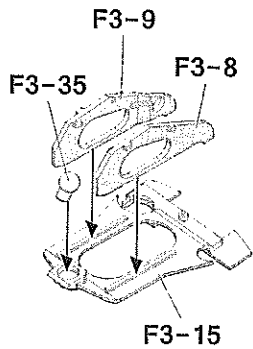
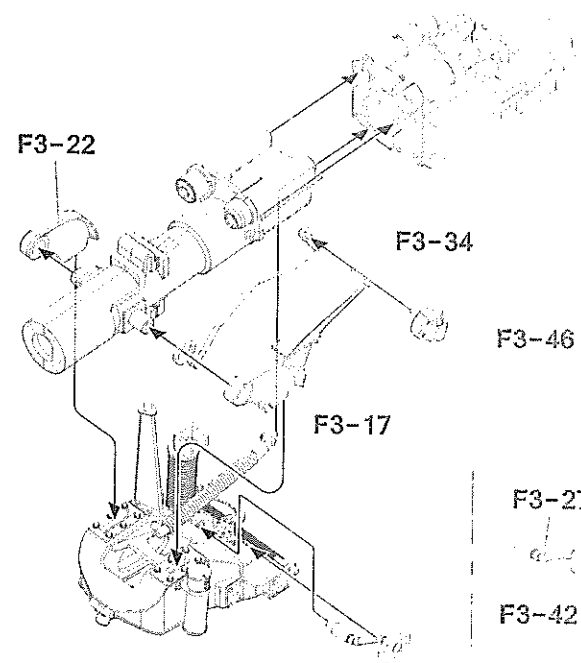
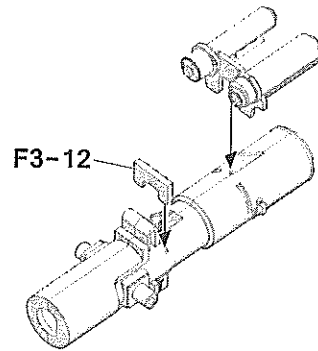
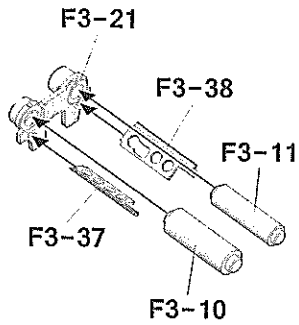
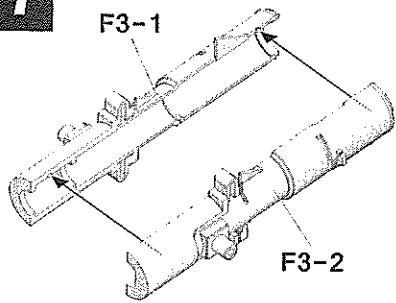


15



16





F3-41

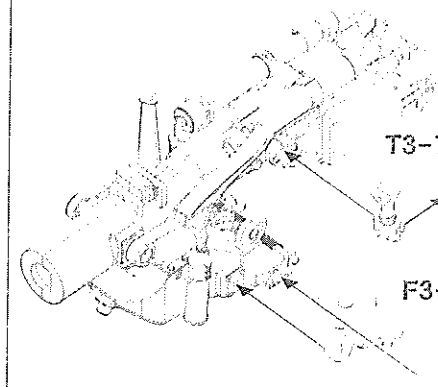


F3-20

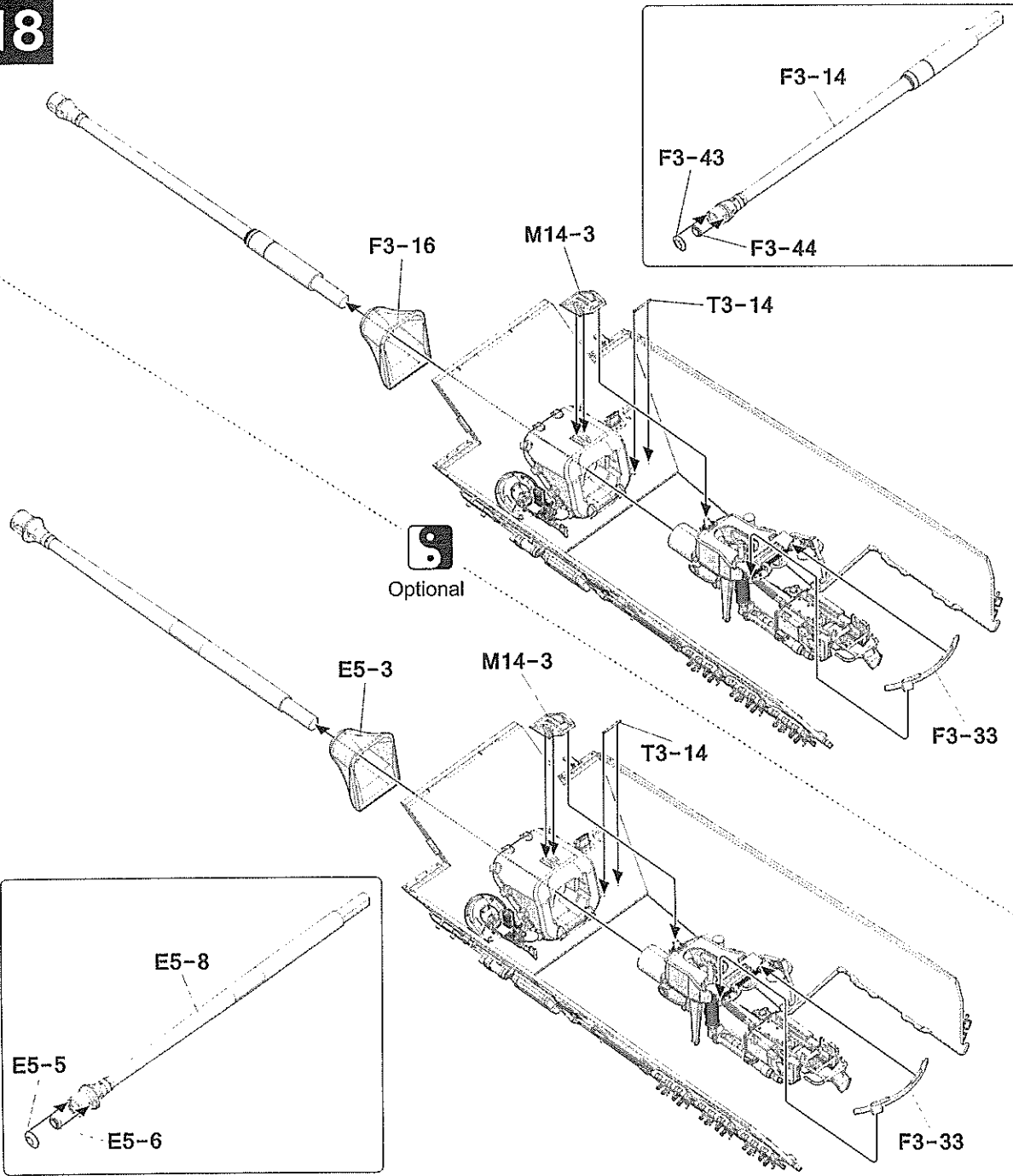
F3-23



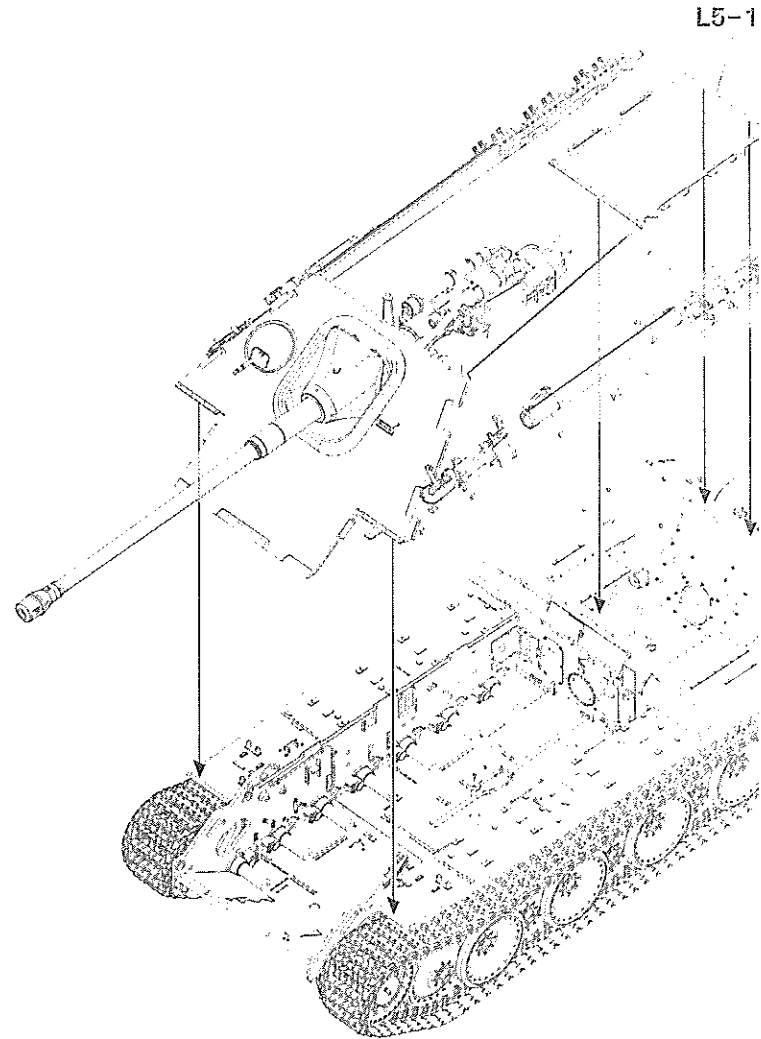
F3-32



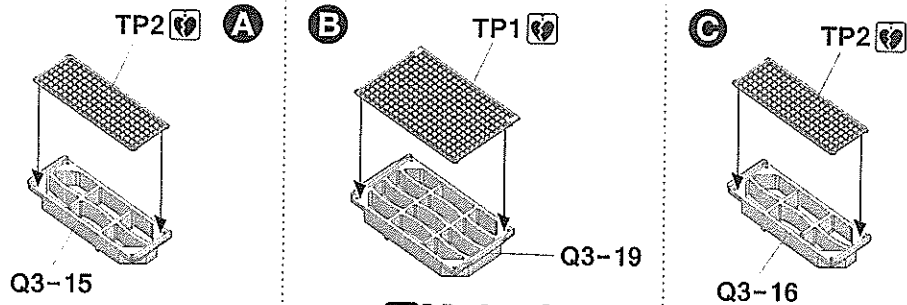
18



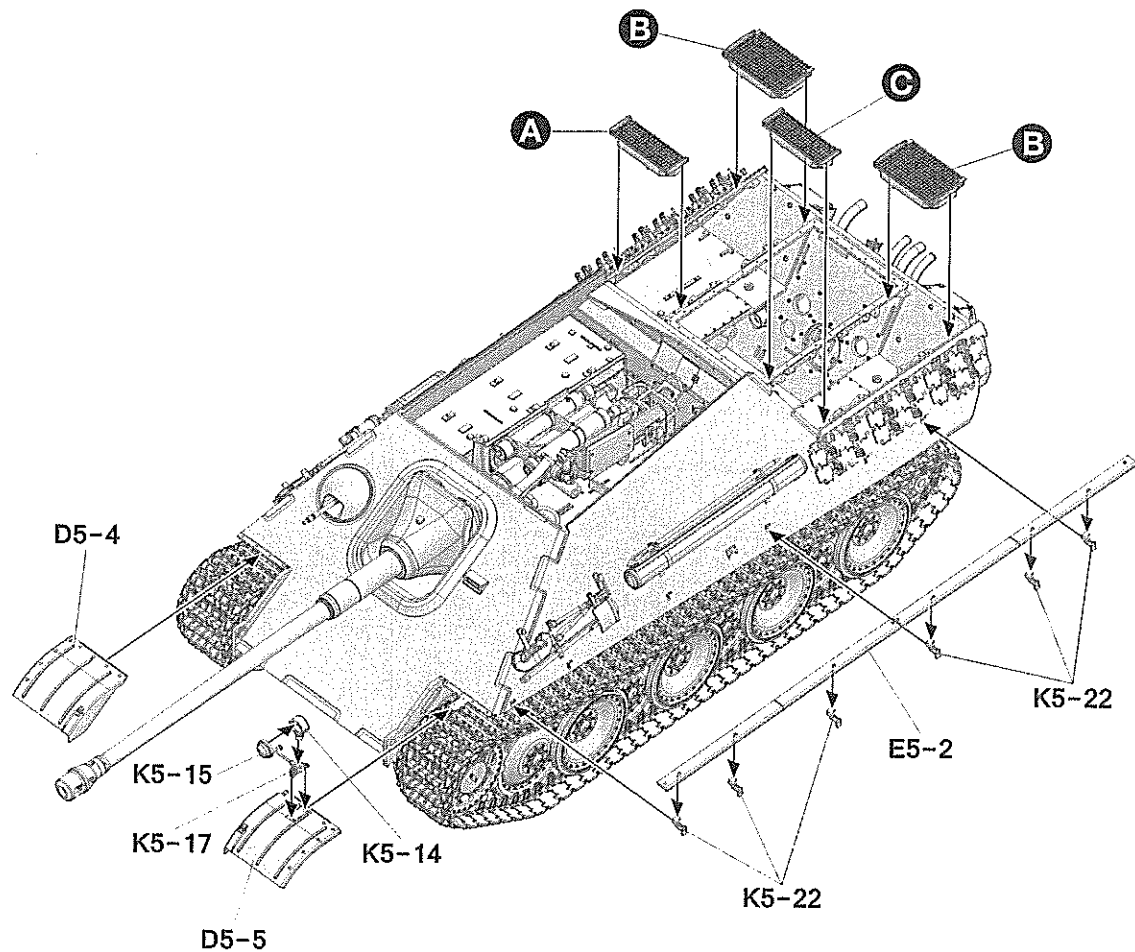
19



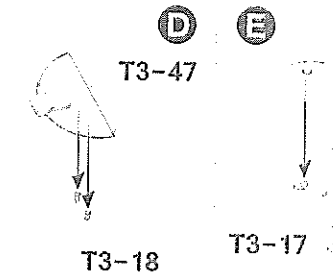
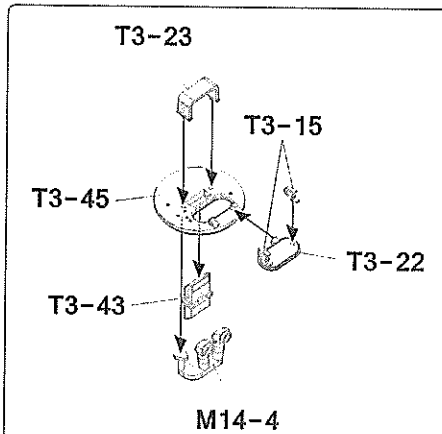
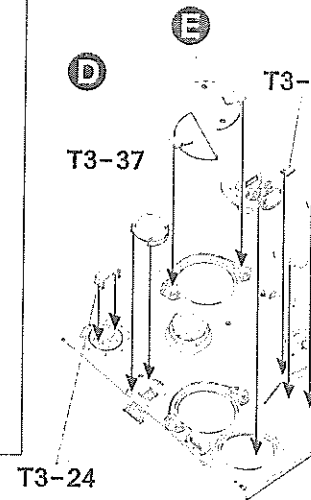
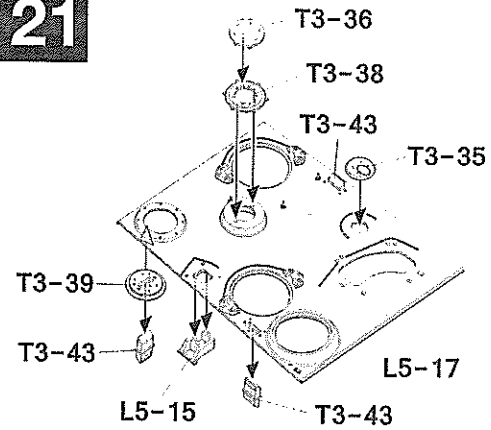
20



Make 2

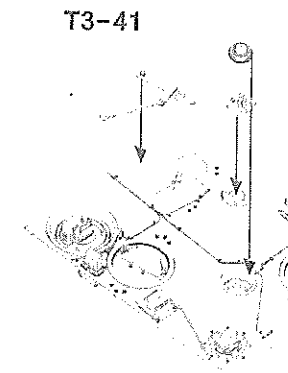
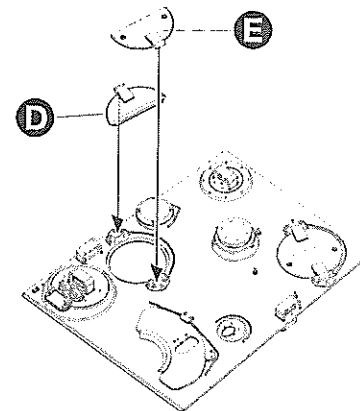


21

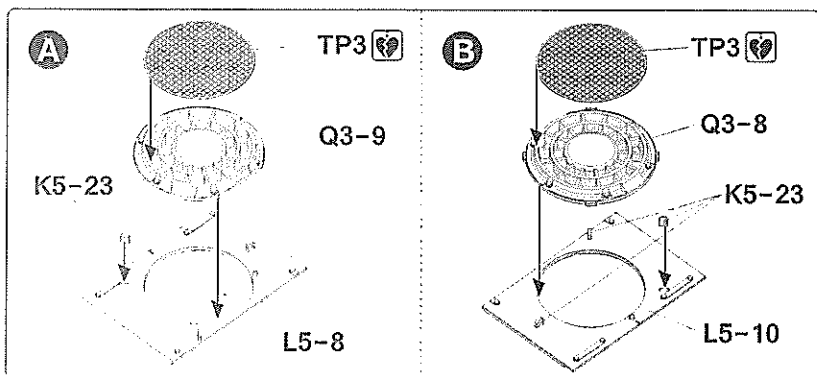


Make 2

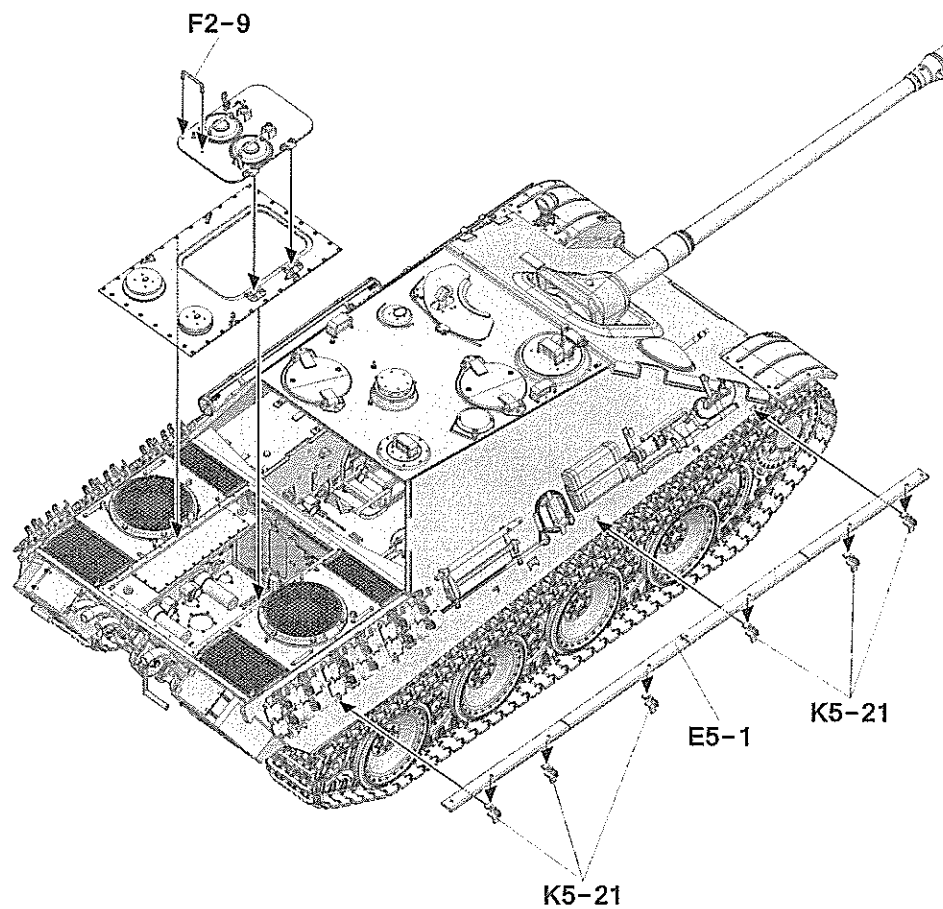
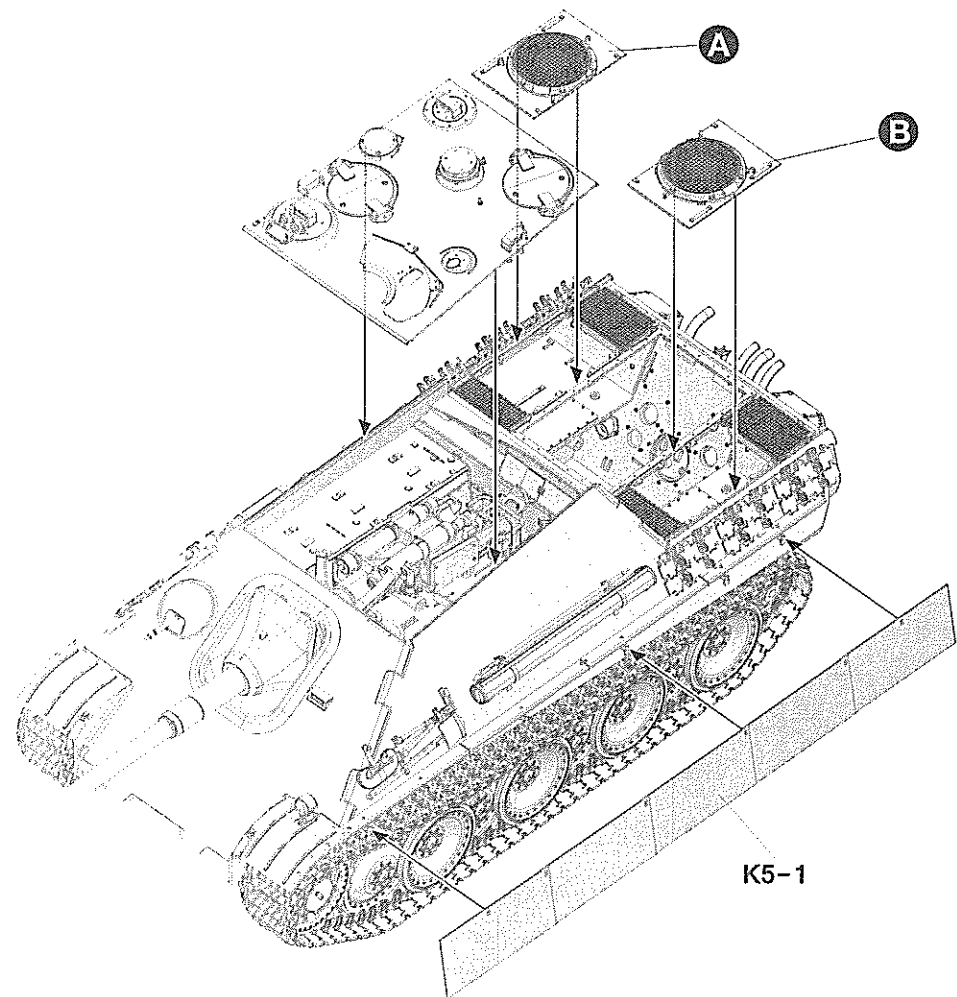
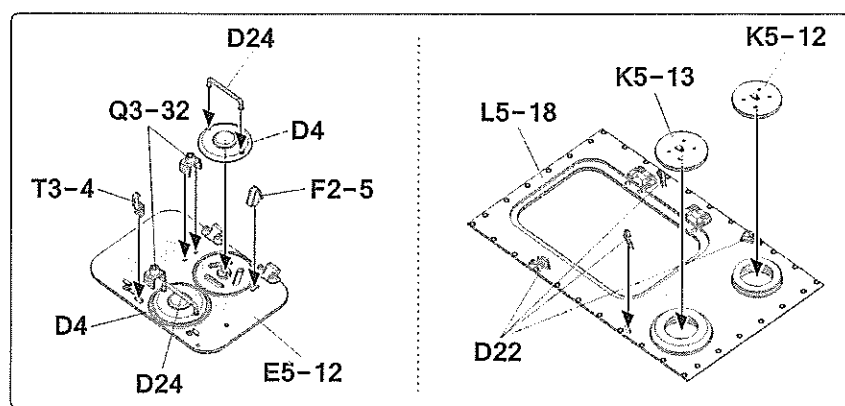
Ma



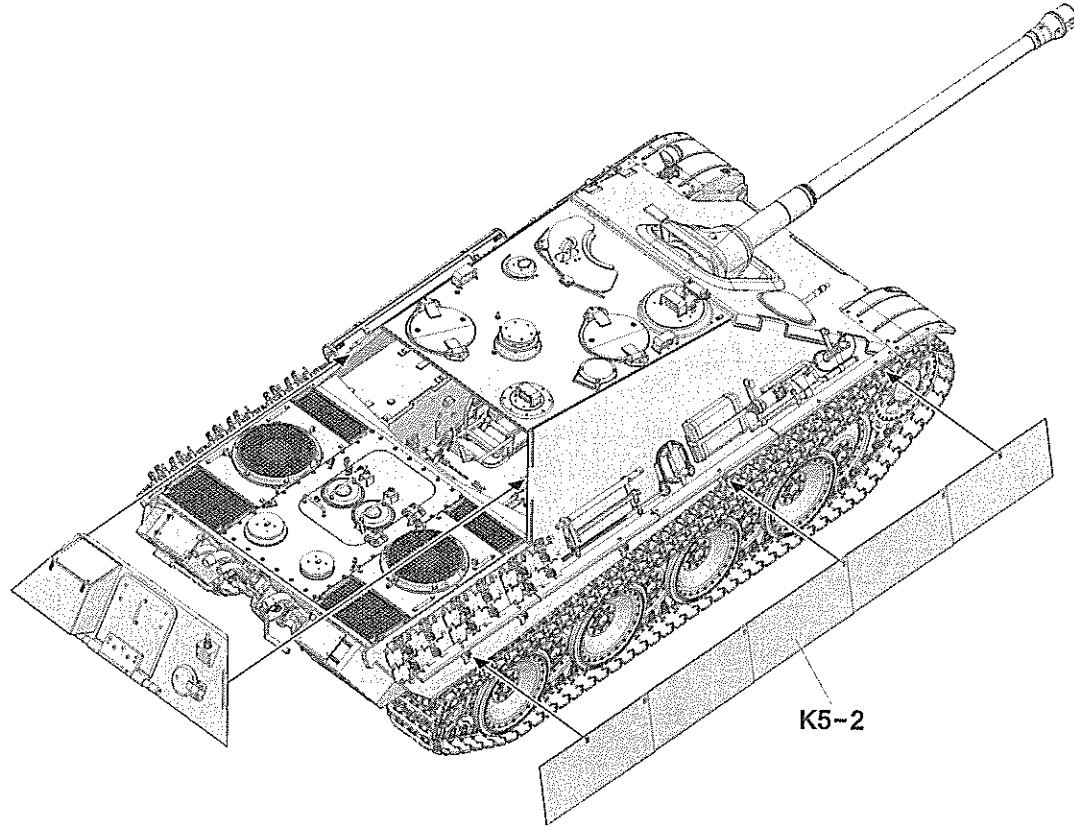
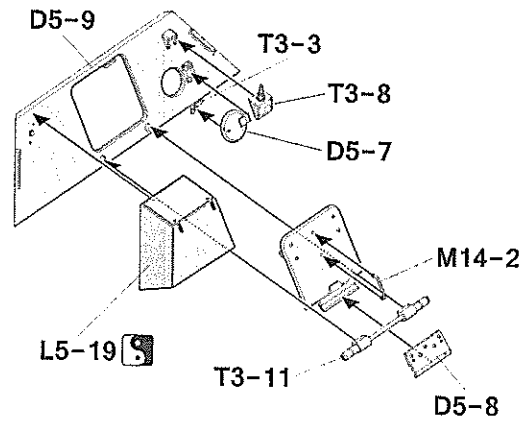
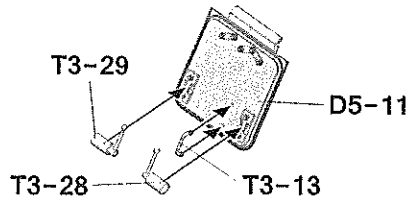
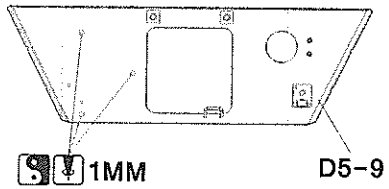
22



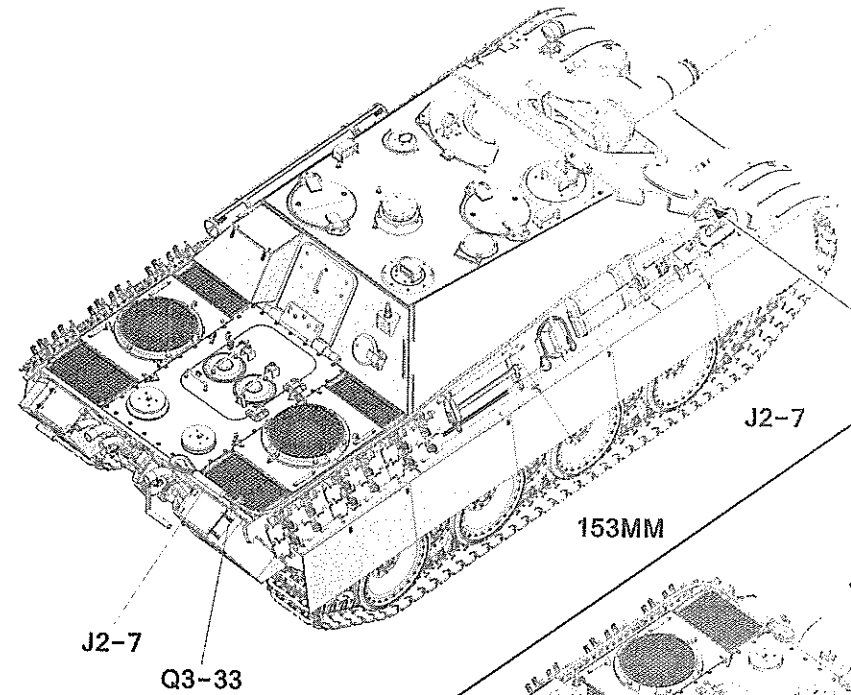
23



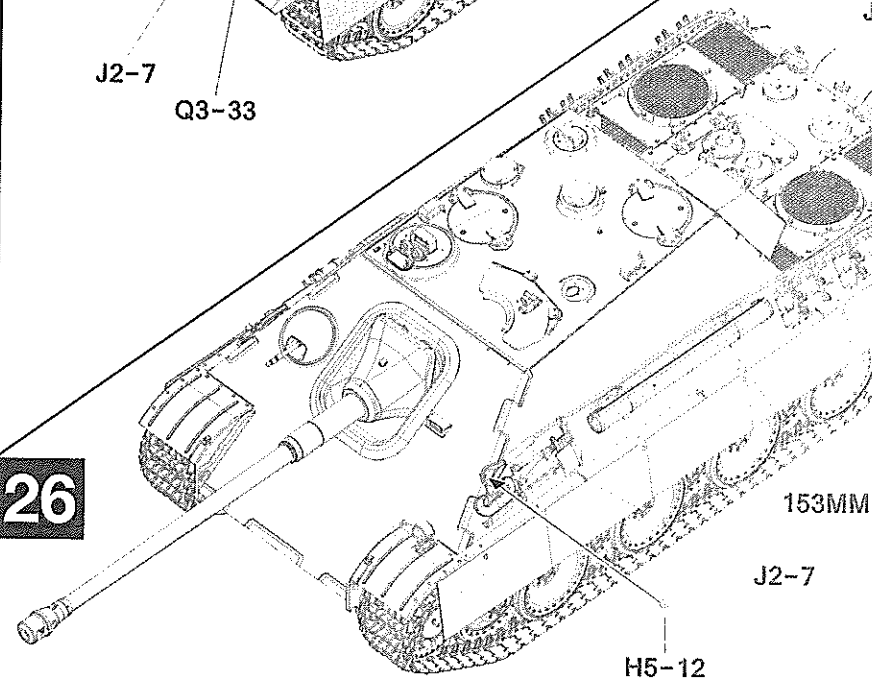
24



25



26



# USER MANUAL 产品制作手册

## Please read the following before assembly

1. This product is the parts of the unassembled precision models. It requires special tools to assemble and paint the model. Glue, paint or tools are not included.
2. This product is for children of 14 and up, younger children should be under adult supervision. For those who will make the model and caregivers, please read manual carefully to understand the procedures.
3. Please be careful when using special model scissors, pencil sharpener or special dedicated file to remove the excess plastic materials on the surface. Do not damage or lose.
4. Please use special adhesive to assemble model parts. Please use power glue for metal parts carefully since it might cause be too powerful for the parts.
5. Please read the notes before using glue, painting or decal.

## 制作前请仔细阅读以下事项

1. 本产品为未组装的比例模型套装零件，需要使用模型专用制作工具自行组装和上色。本产品内不含粘合剂，涂漆和工具。
2. 本产品适合14岁以上儿童和成年模型爱好者，低年龄者请在成人监管看护下制作。制作者和看护者请仔细阅读本制作手册，了解基本制作流程和注意要点。
3. 请小心使用模型专用剪，专用笔刀或专用锉刀去除零件表面多余注塑胶料，不要损坏或丢失。
4. 请使用模型专用粘合剂粘合零件组装。金属零件粘合请小心使用强力胶，过量强力胶使用可能导致可动零件完全粘合。
5. 使用粘合剂，涂漆和水贴之前请阅读相关注意事项。



Make 2 Pcs  
制作二组



Optional  
选择模式



Remove / Cut  
切削



Bend  
弯曲



Apply Decal  
贴水印纸



Instant Glue For Metal  
用强力胶



Open Hole  
钻孔



Caution  
小心注意



Do Not Cement  
无需粘合



Weight  
配重



Fill Hole  
填平



Kit suitable for ages 14 to adult  
本产品适合14岁以上青少年及成人收藏者

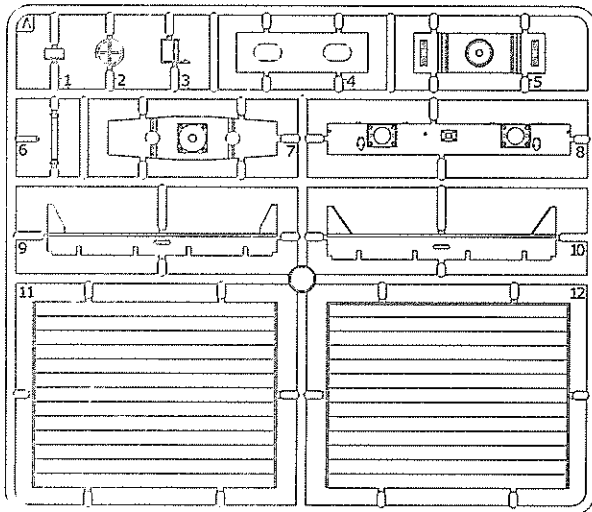
## German Railway Schwerer Plattformwagen Type SSys

Item No 35A02

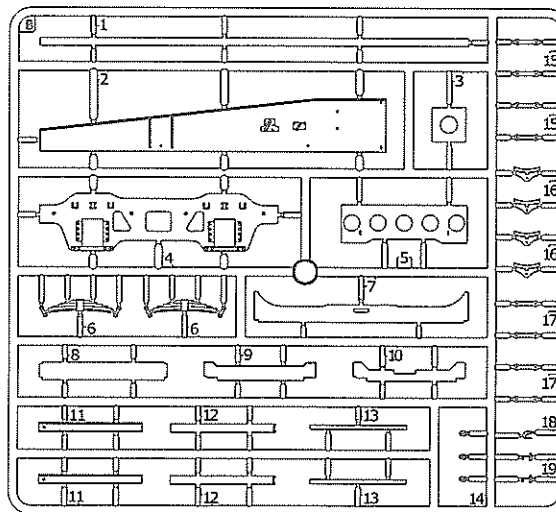
德国8轮轨道平板运输车 トイツ制8輪レール輸送車

Parts  
零件图

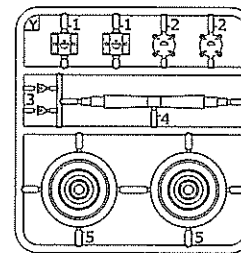
A x2



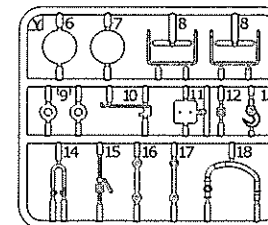
B x4



Y1 x4



Y2 x2



## Warning

- ▲ Do not use glue or paint near the fire, please keep good air circulation.
- ▲ Please be careful with the tips of both tools and parts. Please pay special attention to photo-etch parts to avoid scratch or injury.
- ▲ Please keep away from children, pets or anyone who need special care. Avoid any possible injury from small parts and tools. please keep plastic bags away from children or pets.

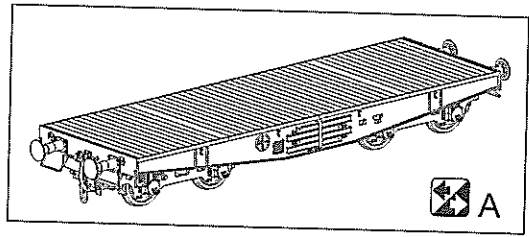
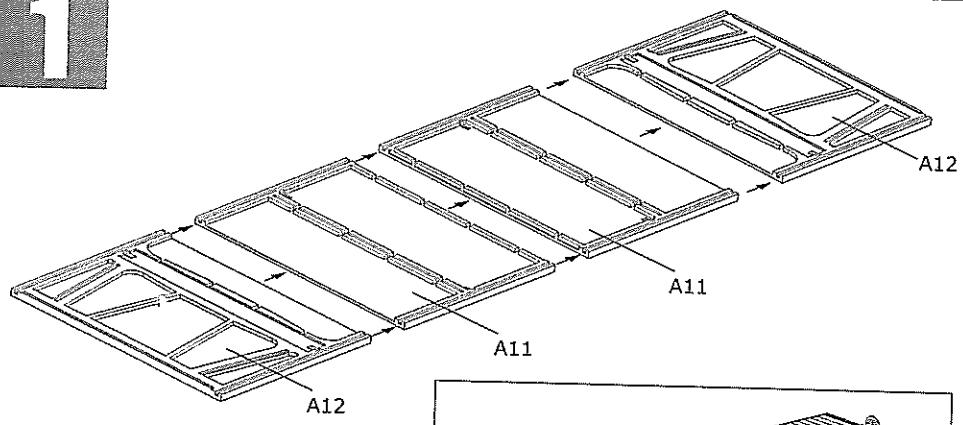
## 特别注意

- ▲ 切勿在近火处使用胶水或涂漆，请保持制作环境的空气流通。
- ▲ 请小心制作工具和产品零件的尖端，处理蚀刻片时请特别注意，防止划伤，避免伤害。
- ▲ 制作时请远离儿童、宠物和需受监护的人员，避免细小零件和工具对其造成损伤。请将产品中的包装塑胶袋远离儿童和宠物避免发生窒息危险！

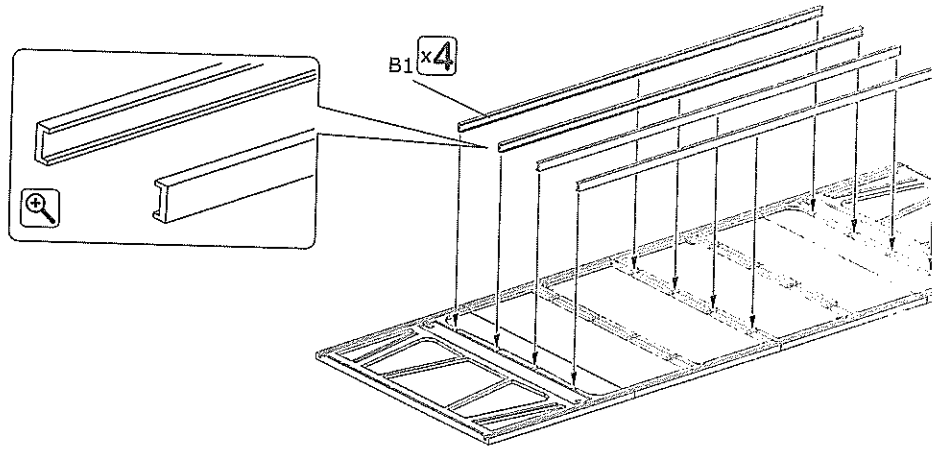
SABRE

Copyright © 2014-2019  
Printed in China  
35A02 - 02

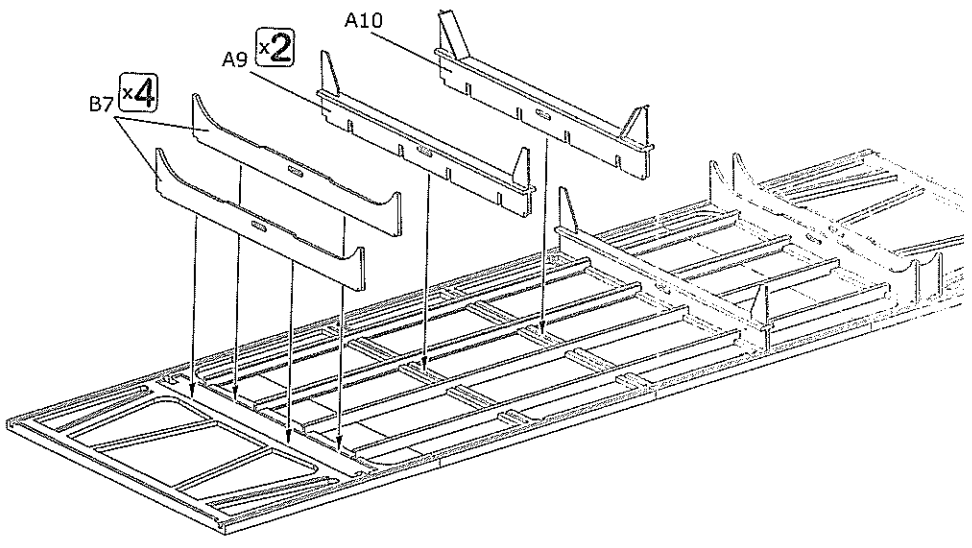
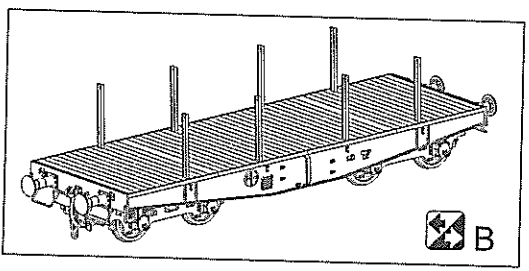
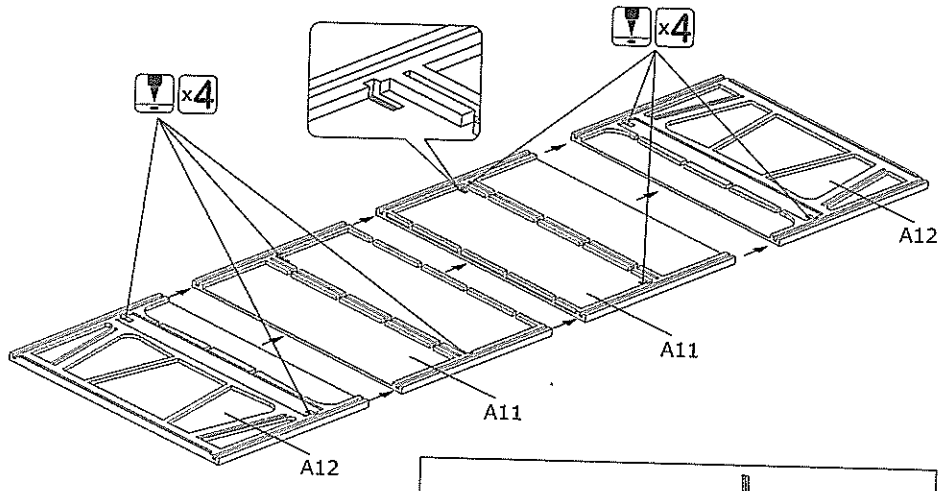
1



2

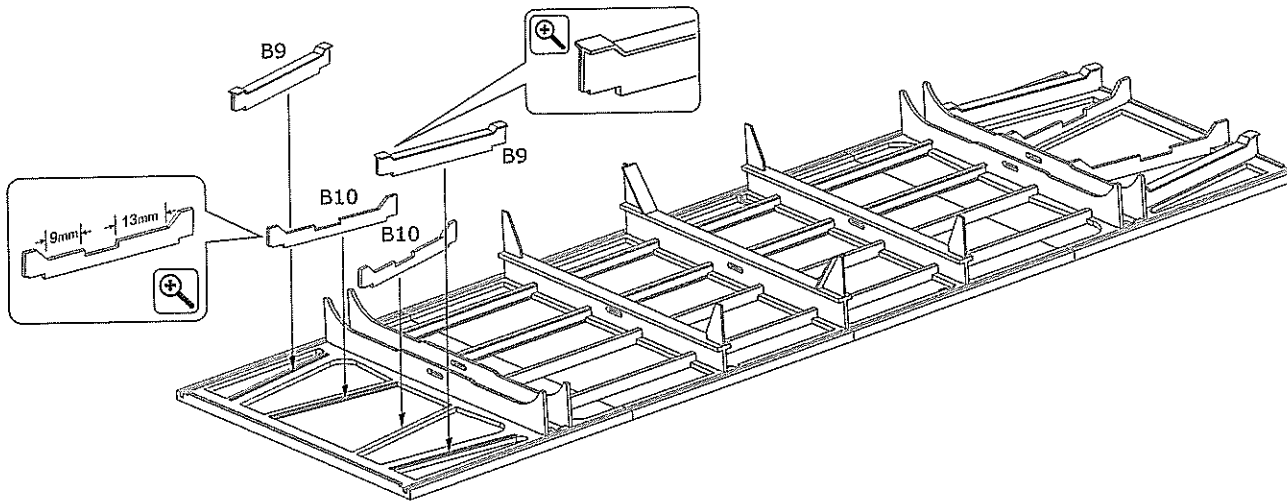


3

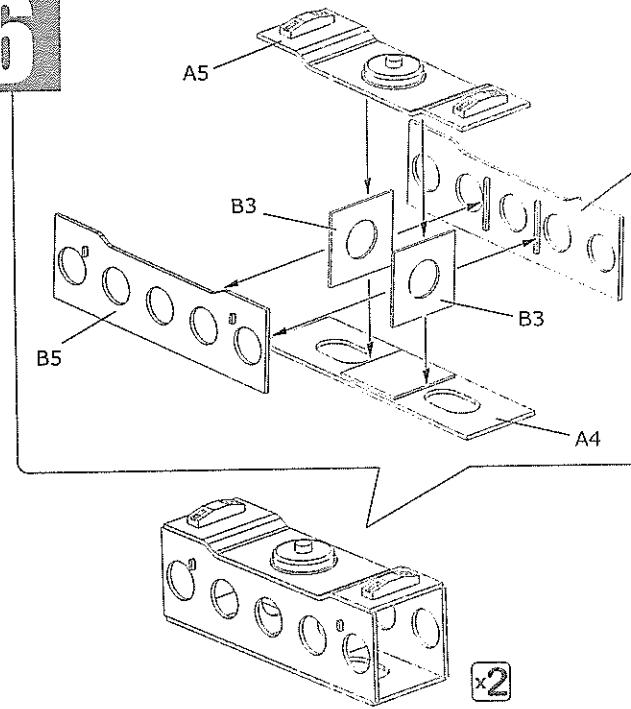




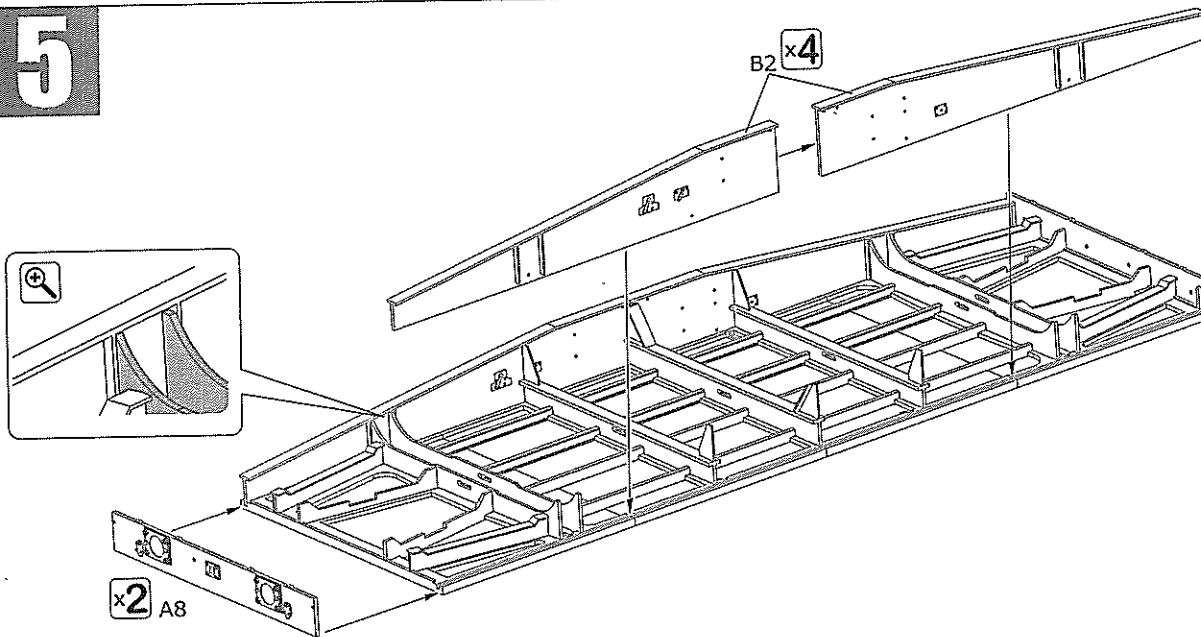
4 **x2**



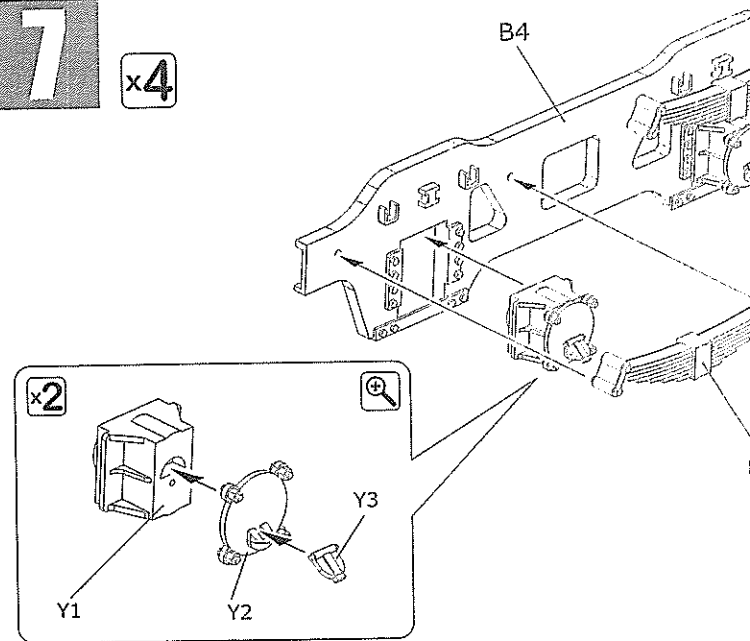
6



5

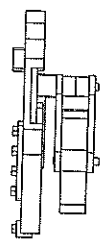
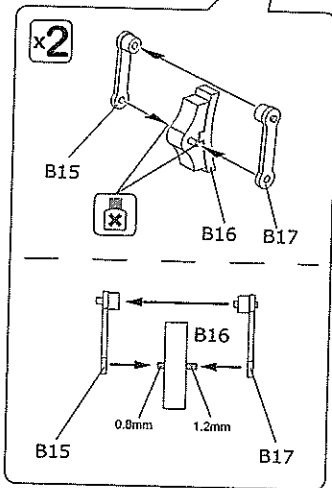
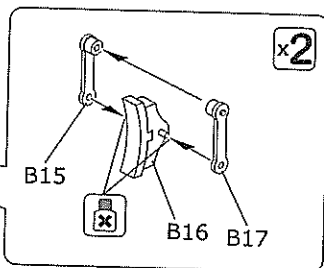
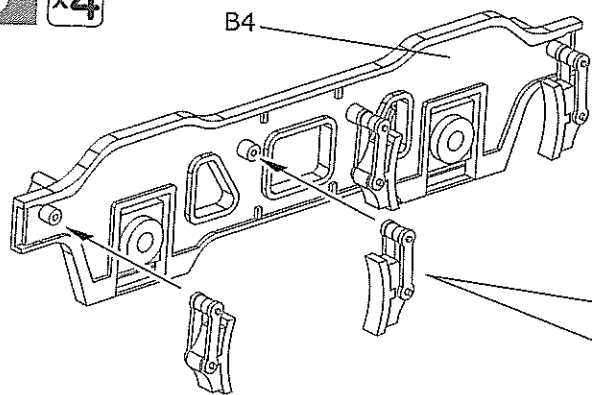


7

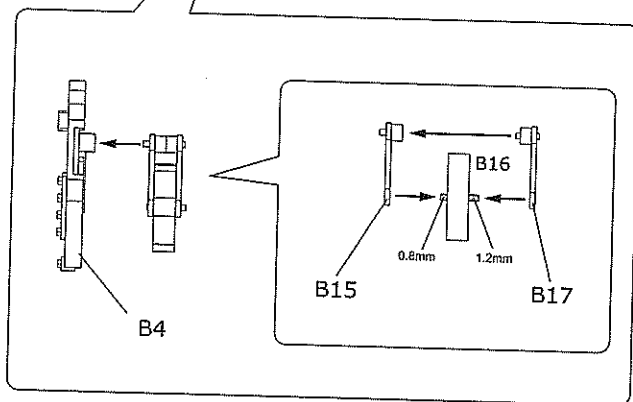


# 8

x4

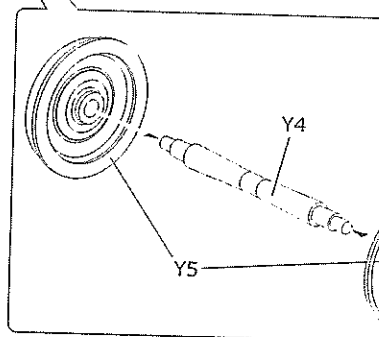
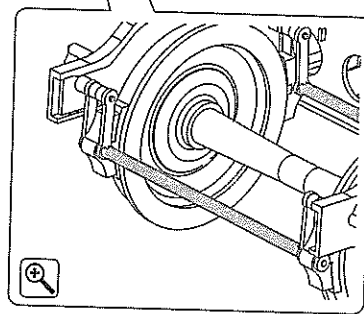
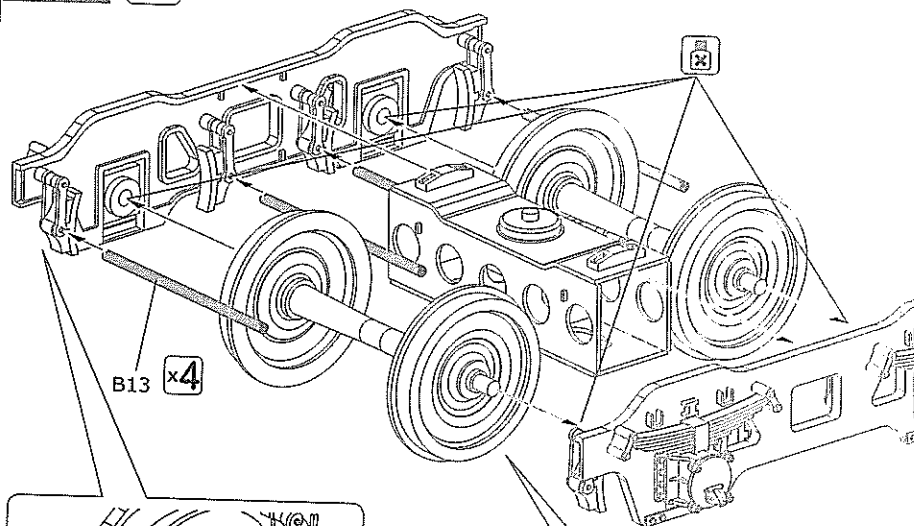


Sectional view  
剖视图



# 9

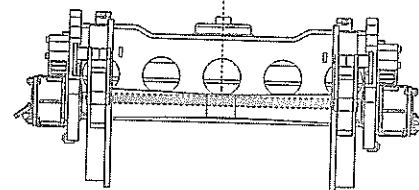
x2



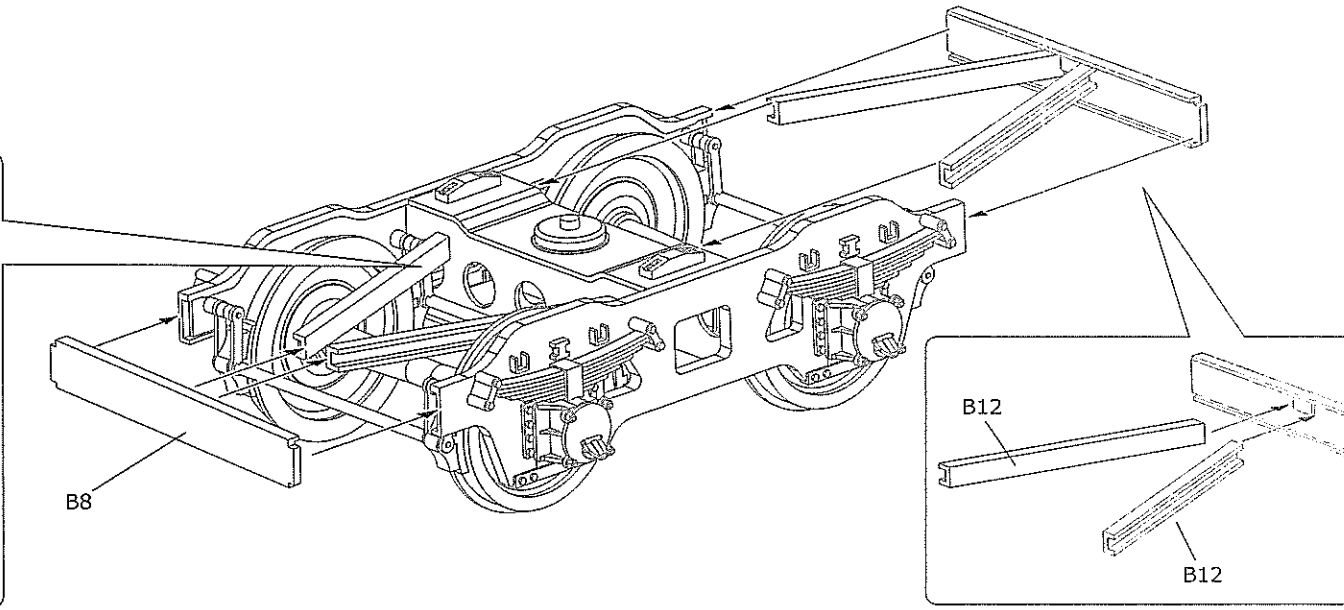
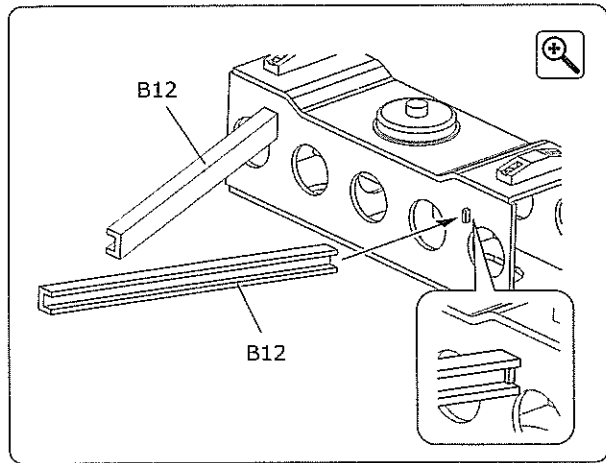
According to the actual assembly, cut part of the length of top of B13 on both sides  
 请根据实际装配情况，  
 切割B13零件两侧顶端的部分长度



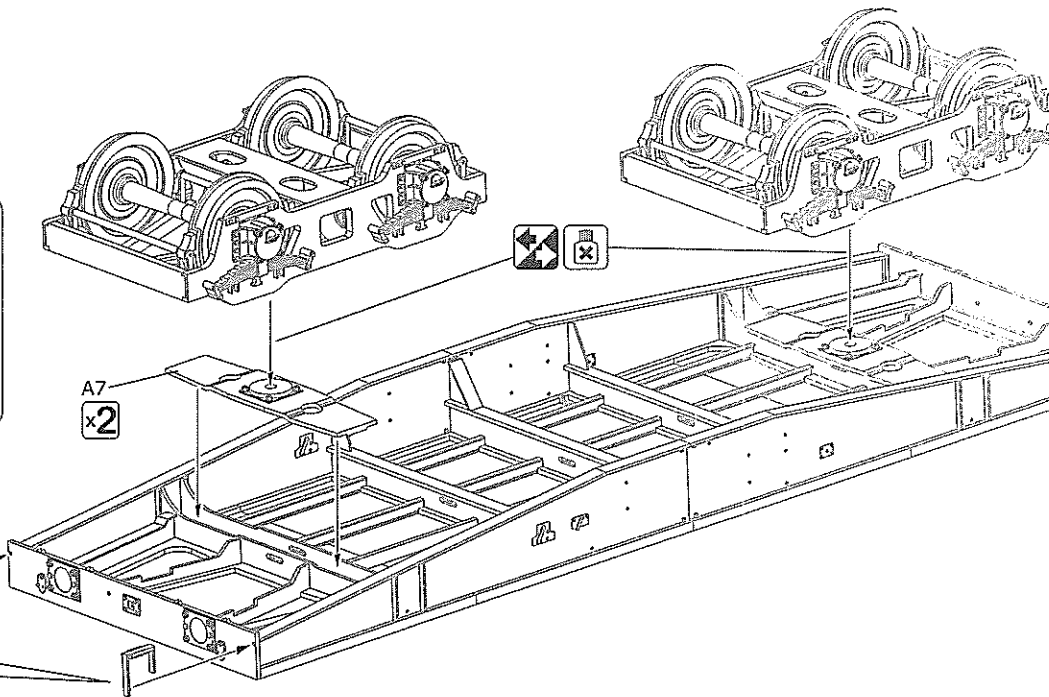
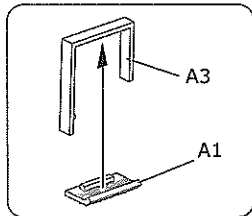
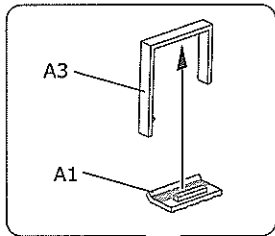
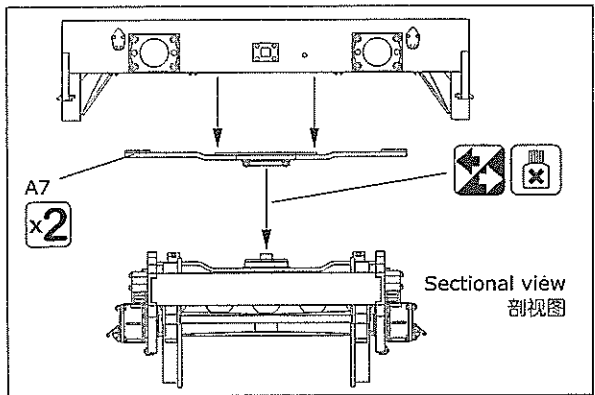
Sectional view  
剖视图



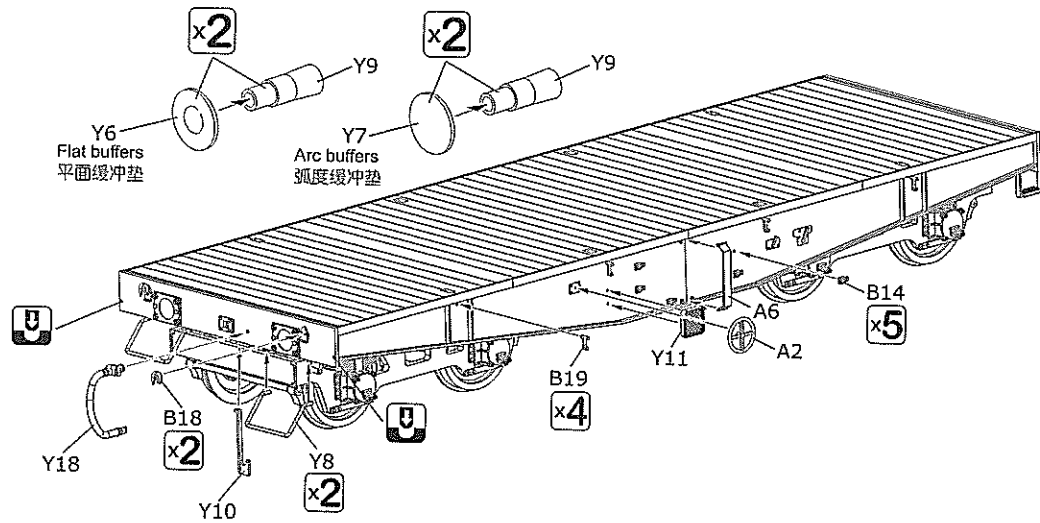
10 **x2**



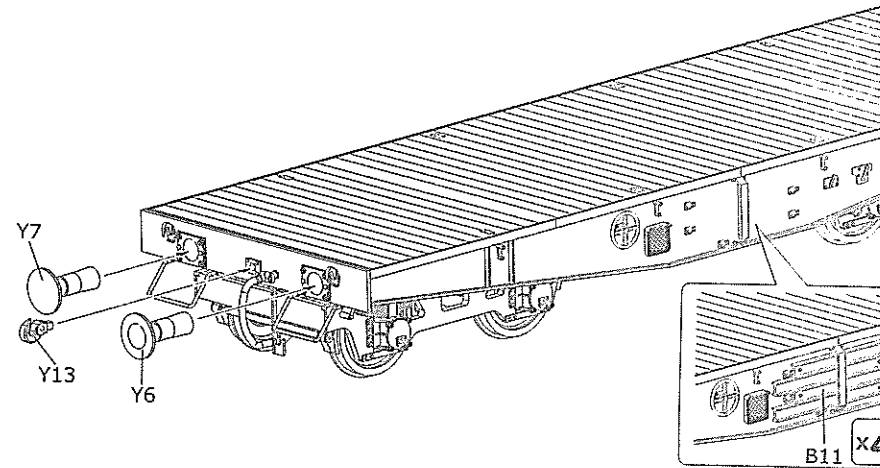
11



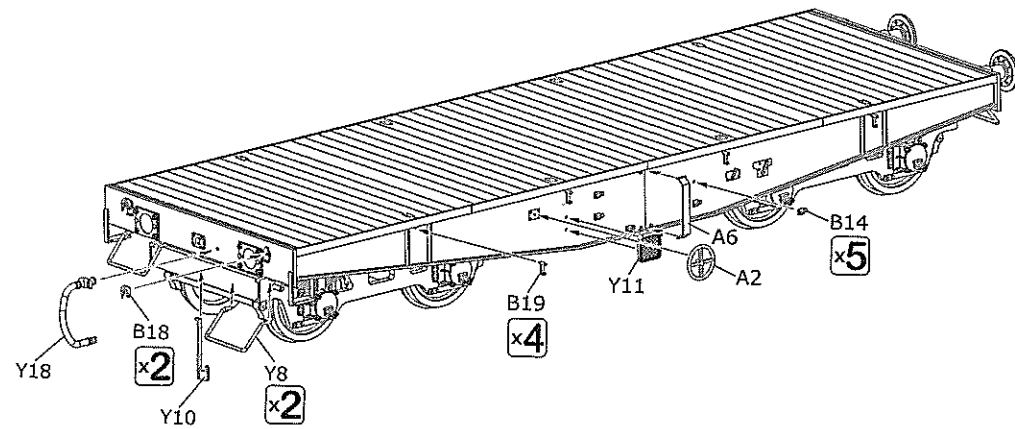
# 12



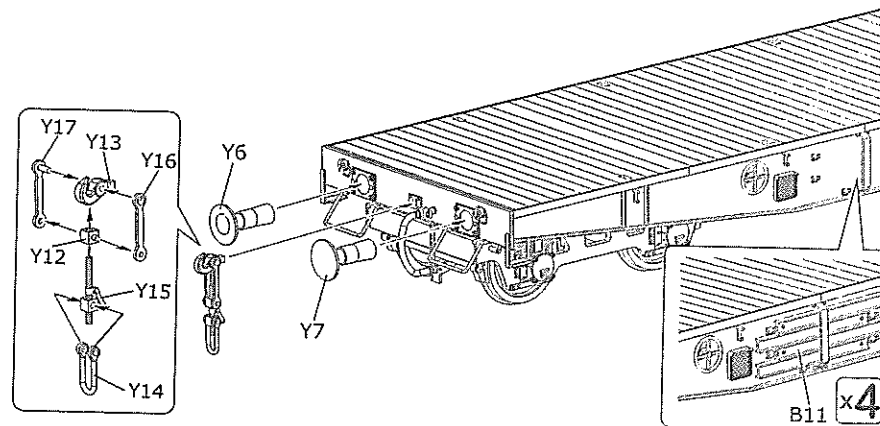
# 13



# 14



# 15

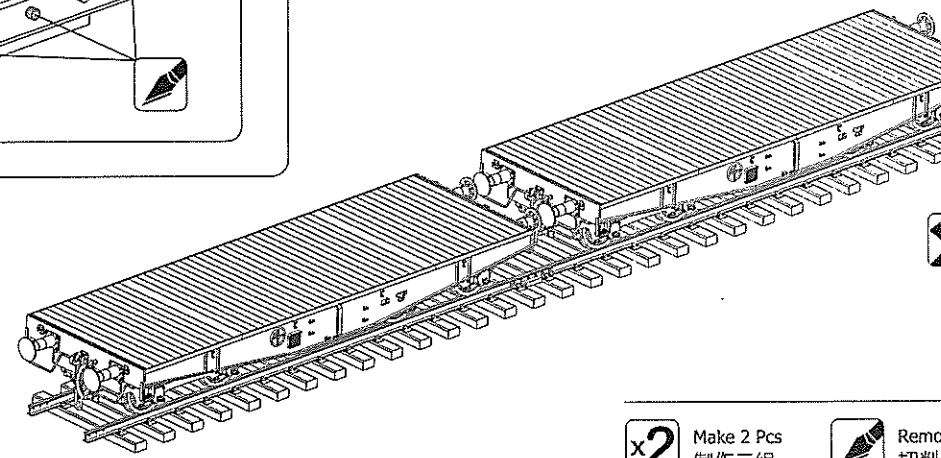
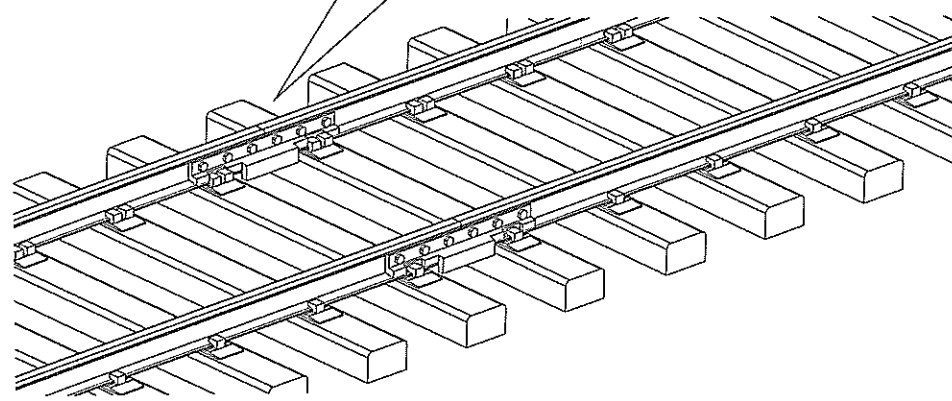
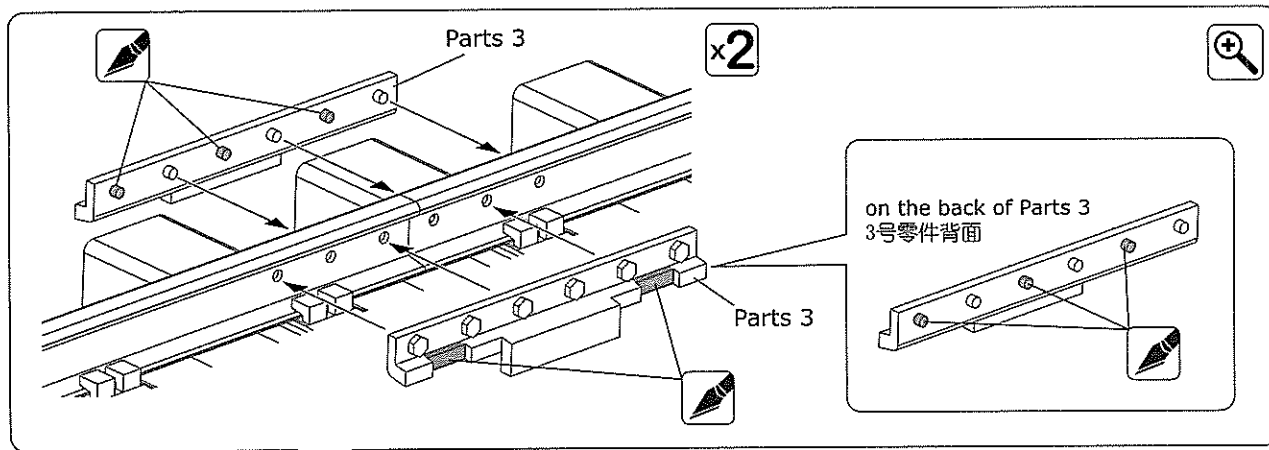
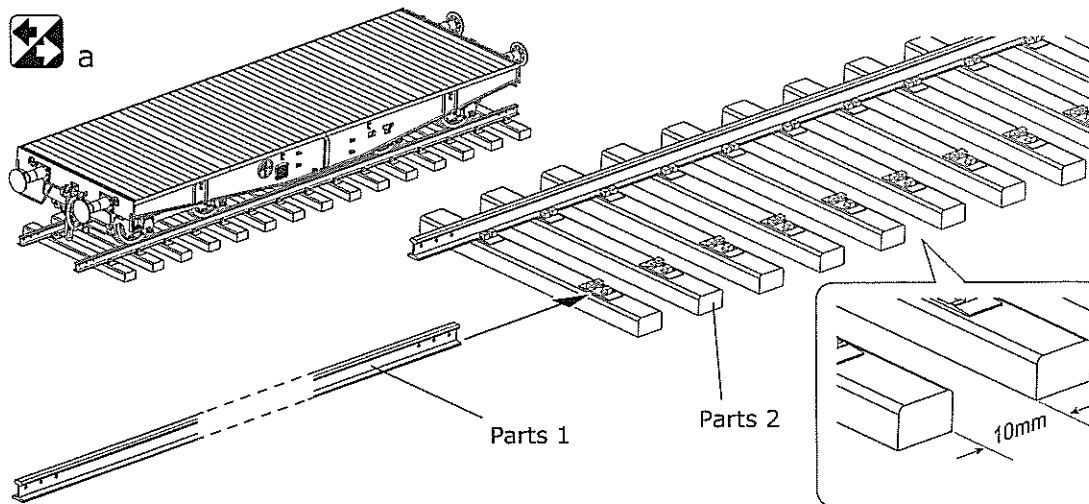
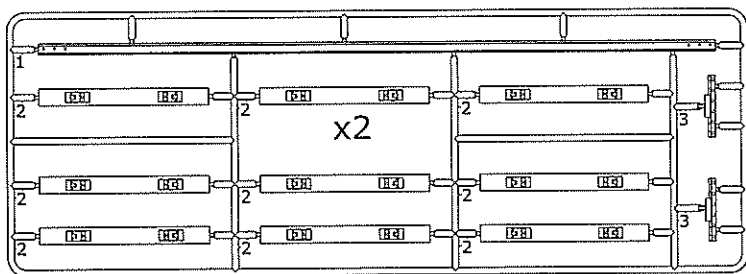


1/35 Scale 铁路轨道

# RAILWAY TRACK SET

For railcar wheels carrier

Parts  
零件图



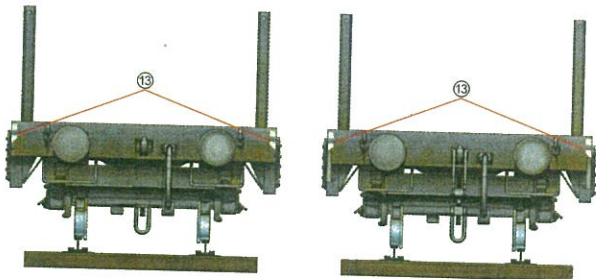
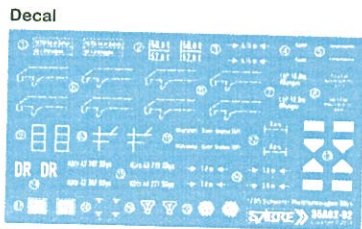
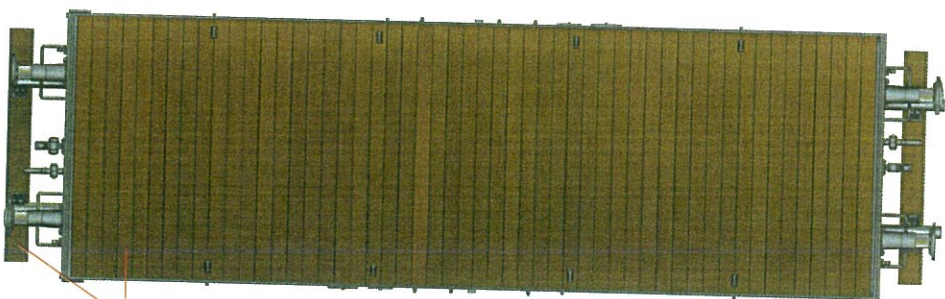
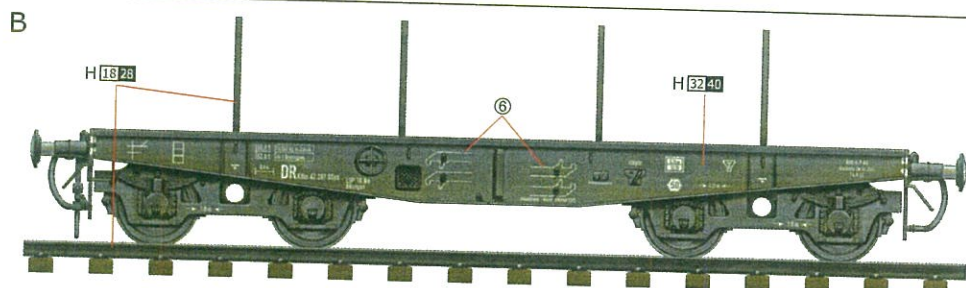
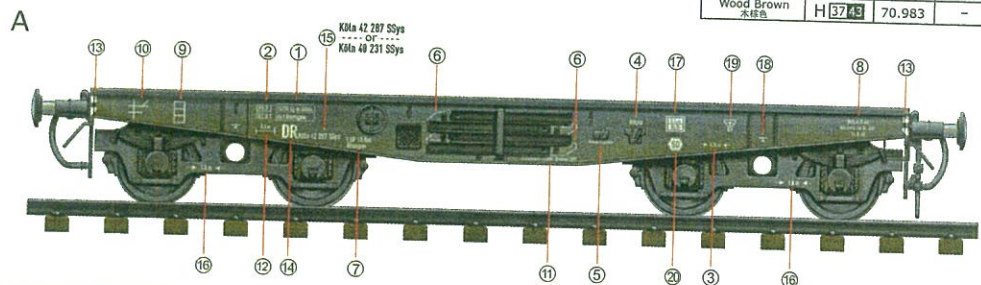
- Make 2 Pcs 制作二组
- Remo 切削
- Caution 小心注意
- Option 选择

# Marking & Painting

涂装和标贴

H X HOBBY COLOR X MR.COLOR

Paint reference colour			
Color	Mr.Hobby	Vallejo	Tamiya
Field Gray 原野灰	H 8240	70.830	XF63
Steel(Metal Black) 军绿色	H 1828	70.864	-
Wood Brown 木棕色	H 8743	70.983	-



### Decal application

1. Clean model parts surface with wet cloth.
2. Cut each required design out of decal sheet and dip them in clean warm water for about 15 sec.
3. Place decal on proper position of kit surface and slide off base paper carefully.
4. Move design to exact position with wet finger tip.
5. Press decal gently down with a soft cloth until excess water and air bubbles are gone.

### 水贴使用说明

1. 用湿布将模型表面擦拭干净。
2. 将所需贴形从水贴纸上剪下，在清温的温水中浸泡大约15秒。
3. 将水贴取出后放在正确位置上并小心将底纸移除。
4. 用手指尖把贴形移动到模型表面正确的位置上。
5. 用柔软布轻轻按压水贴，直至挤出贴形底下多余水分和气泡。

03.03.2125



# Jagdpanther Ausf.G1

www.takom.com

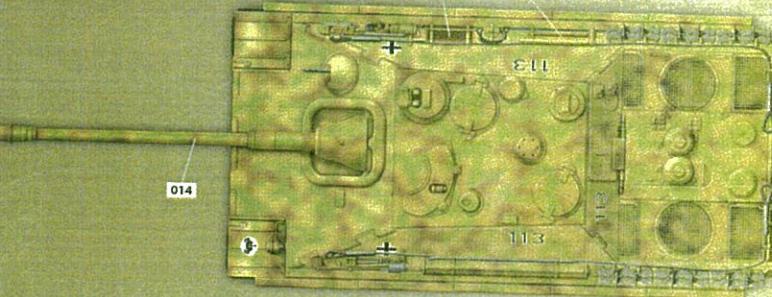
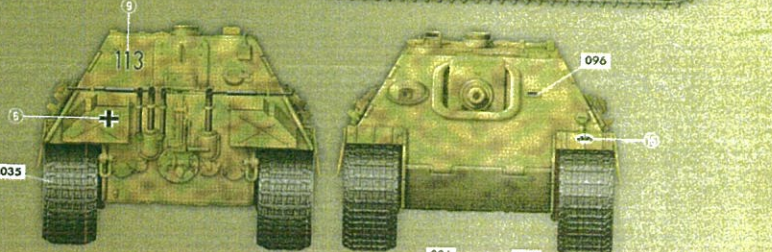
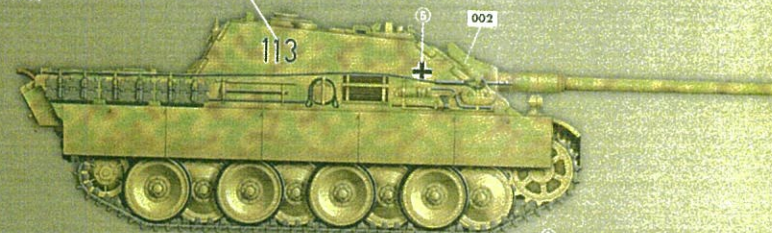
## Painting and Marking Guide

TAKOM Ref: 2125

Jagdpanther Ausf.G1 Mid/Late Production.

I Kompanie, s. Pz. Jg. Abt 559, Holland, Summer 1944

- A.MIG 033 Rubber & Tires
- A.MIG 035 Dark Sparks
- A.MIG 038 Light Wood
- A.MIG 041
- A.MIG 045 Gun Metal
- A.MIG 096 Crystal Penetration Lines
- A.MIG 002 Chipping Tool 2
- A.MIG 016
- A.MIG 014 Schickelohren
- A.MIG 034 Old Wood



### WEATHERING STEPS WITH AMMO PRODUCTS

- 1 GENERAL WASH**  
A.MIG-1008 Dark Wash
- 2 FILTER**  
A.MIG-1510 Tin for 3 Tone Camo
- 3 STREAKING**  
A.MIG-1203 Streaking Crème
- 4 TRACK WASH**  
A.MIG-1002 Tracks Wash
- 5 RUST**  
A.MIG-1254 Streaking/brusher Rust
- 6 DUST**  
A.MIG-3012 Sand
- 7 MUD & SPLASHES**  
A.MIG-1781 Thick Soil / A.MIG-1751
- 8 DREASE & OIL**  
A.MIG-1408 Fresh Engine Oil

03.03.2125



# Jagdpanther Ausf.G1

www.migjimenez.com



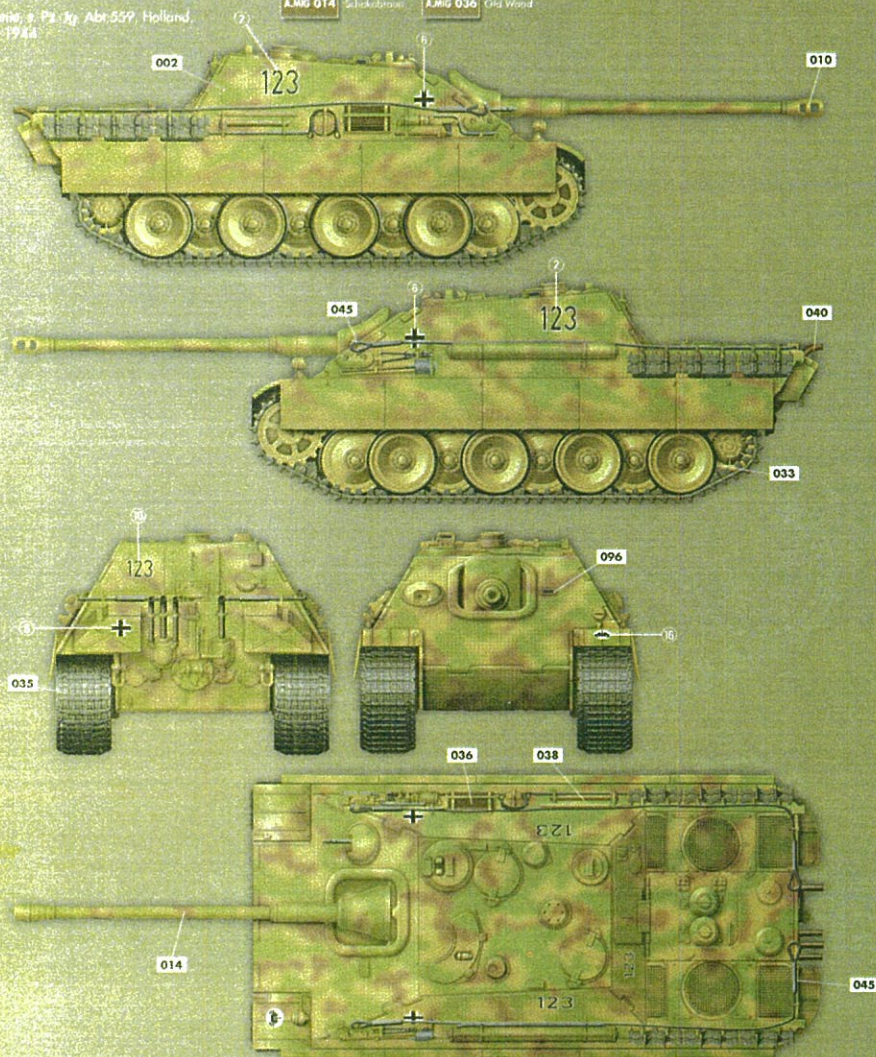
## Painting and Marking Guide

TAKOM Ref: 2125

Jagdpanther Ausf.G1, Mid/Late Production.

I Kompanie, s. Pz. Jg. Abt. 559, Holland,  
Summer 1944

A.MIG 033	Rubber & Tires	A.MIG 035	Dark Tracks	A.MIG 038	Light Wood	A.MIG 040	Medium Rust
A.MIG 045	Gun Metal	A.MIG 096	Crystal Periscope Green	A.MIG 002	Olivegreen Opfl. 2	A.MIG 010	Dunkelgelb Mid-war
A.MIG 014	Schokelbrenner	A.MIG 036	Old Wood				



### WEATHERING STEPS WITH AMMO PRODUCTS

- |  |   |   |  |
|--|---|---|--|
| <b>1</b> GENERAL WASH<br>A.MIG-1005 Dark Brown Wash for Green vehicles | <b>3</b> STREAKING<br>A.MIG-1253 Streakingbrusher Grime | <b>5</b> RUST<br>A.MIG-3510 Rust          | <b>7</b> MUD & SPLASHES<br>A.MIG-1704 Heavy Earth / A.MIG-1753 Turned Dirt |
| <b>2</b> FILTER<br>A.MIG-1510 Tan for 3 Tone Camo                      | <b>4</b> TRACK WASH<br>A.MIG-1002 Tracks Wash           | <b>6</b> DUST<br>A.MIG-3011 Airfield Dust | <b>8</b> GREASE & OIL<br>A.MIG-1408 Fresh Engine Oil                       |

03.03.2125



# Jagdpanther Ausf.G1

www.migjimenez.com



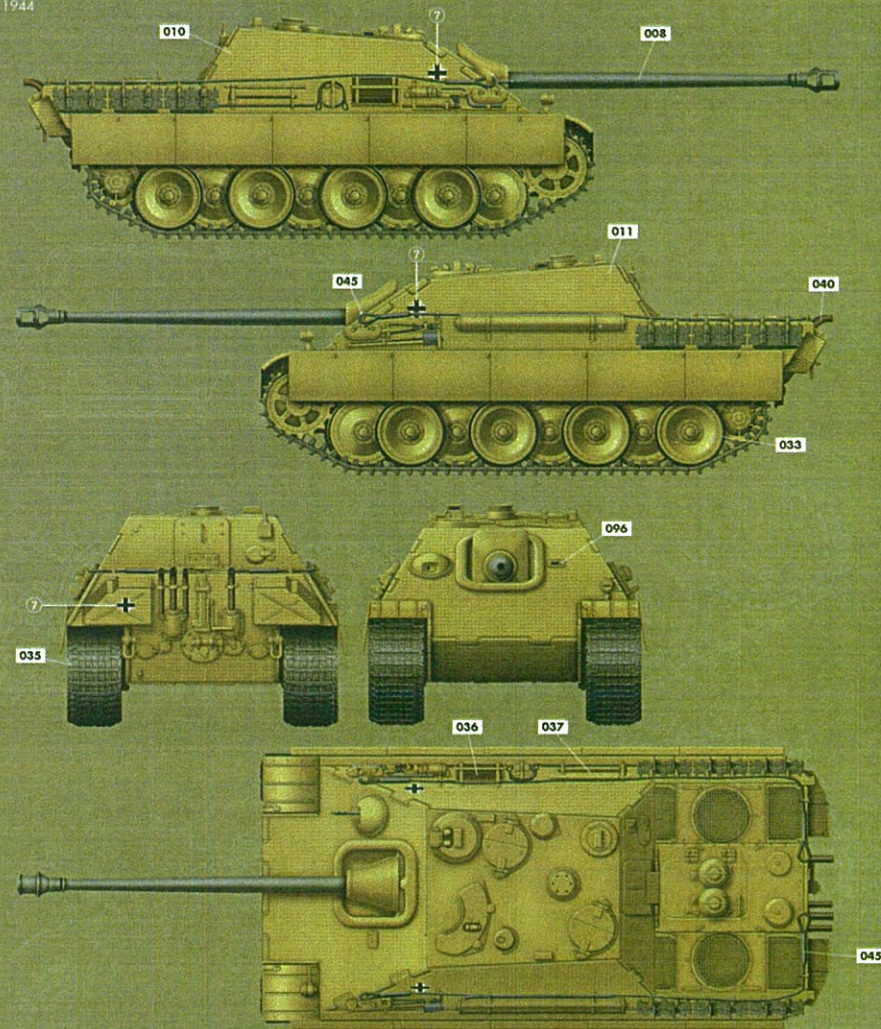
## Painting and Marking Guide

TAKOM Ref: 2125

Jagdpanther Ausf.G1, Mid/Late Production.

I Kompanie, s. Pz. Jg. Abt. 654, France,  
Spring 1944

A.MIG 033	Rubber & Tires	A.MIG 035	Dark Tracks	A.MIG 037	New Wood	A.MIG 040	Medium Rust
A.MIG 045	Gun Metal	A.MIG 096	Crystal Periscope Green	A.MIG 010	Dunkelgelb Mid-war	A.MIG 036	Old Wood
A.MIG 008	Dunkelgrau						



### WEATHERING STEPS WITH AMMO PRODUCTS

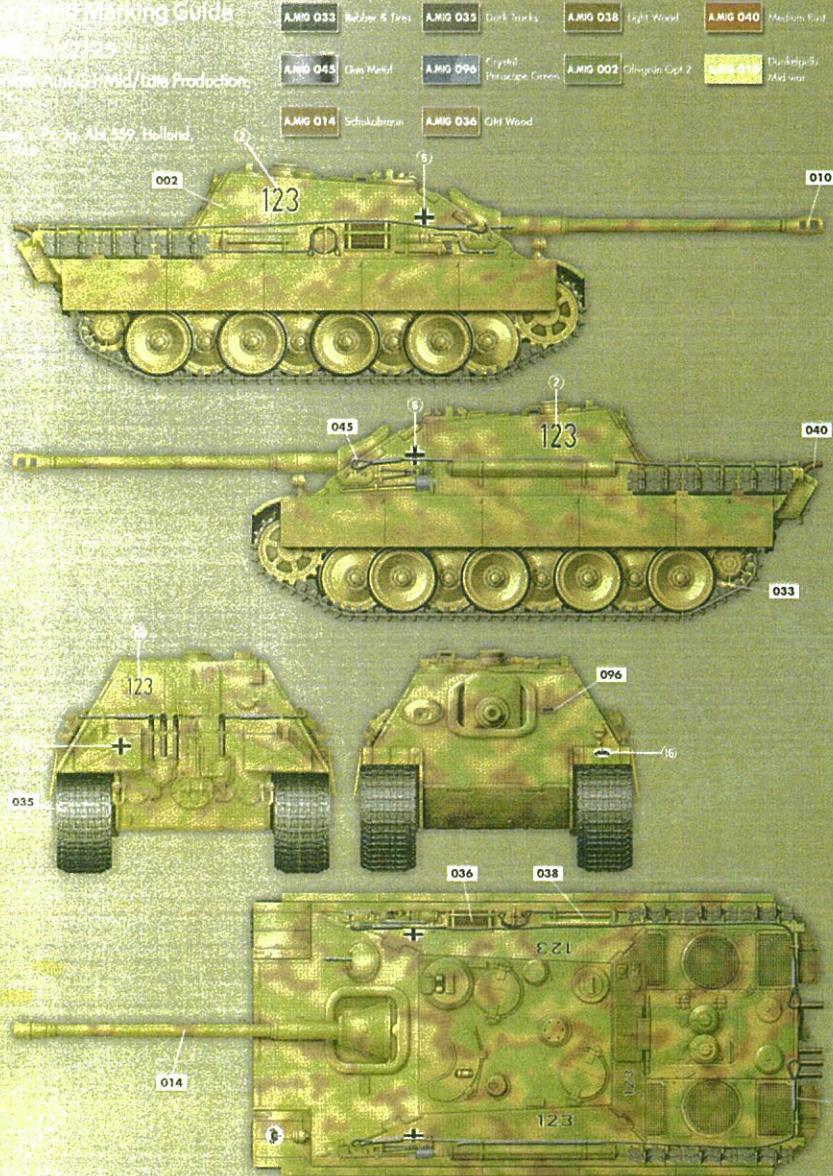
- |  |  |   |  |
|--|--|---|--|
| <b>1</b> GENERAL WASH<br>A.MIG-1000 Brown Wash for Dark Yellow | <b>3</b> STREAKING<br>A.MIG-1203 Streaking Grime | <b>5</b> RUST<br>A.MIG-1254 Streakingbrusher Rust | <b>7</b> MUD & SPLASHES<br>A.MIG-1704 Heavy Earth / A.MIG-1753 Turned Dirt |
| <b>2</b> FILTER<br>A.MIG-1511 Brown for Dark Yellow            | <b>4</b> TRACK WASH<br>A.MIG-1002 Tracks Wash    | <b>6</b> DUST<br>A.MIG-3011 Airfield Dust         | <b>8</b> GREASE & OIL<br>A.MIG-1408 Fresh Engine Oil                       |

## Painting and Marking Guide

Ref: 2125

Jagdpanther Ausf.G1 Mid/Late Production

1 Kompanie, s. Pz. Jg. Abt 359, Holland,  
Summer 1944



### WEATHERING STEPS WITH AMMO PRODUCTS

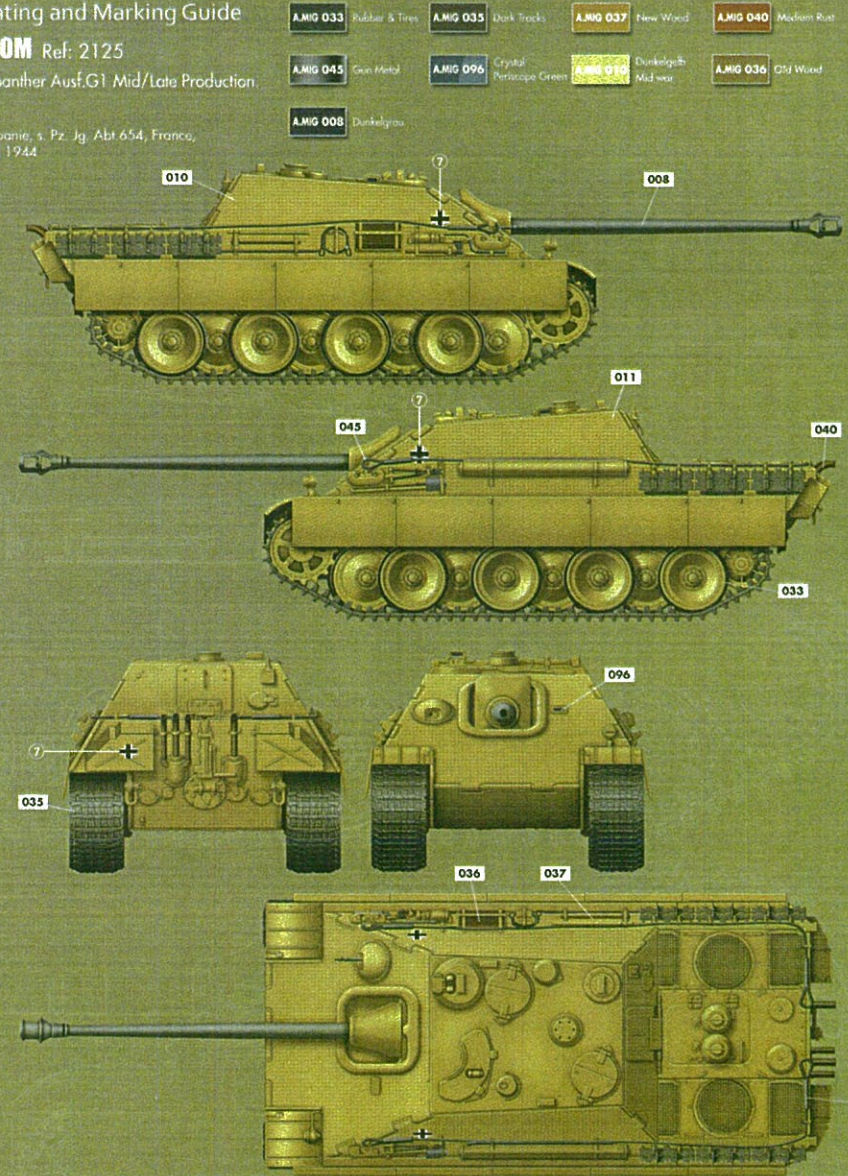
- |  |  |   |  |
|--|--|---|--|
| <b>1</b> GENERAL WASH<br>A.MIG-1005 Dark Brown Wash for Green Vehicles | <b>3</b> STREAKING<br>A.MIG-1253 Streakingbrusher Grease | <b>5</b> RUST<br>A.MIG-3516 Rust          | <b>7</b> MUD & SPLASHES<br>A.MIG-1704 Heavy Earth / A.MIG-1753 Turned Dirt |
| <b>2</b> FILTER<br>A.MIG-1510 Tan for 3 Tone Camo                      | <b>4</b> TRACK WASH<br>A.MIG-1002 Tracks Wash            | <b>6</b> DUST<br>A.MIG-3011 Airfield Dust | <b>8</b> GREASE & OIL<br>A.MIG-1408 Fresh Engine Oil                       |

## Painting and Marking Guide

TAKOM Ref: 2125

Jagdpanther Ausf.G1 Mid/Late Production

1 Kompanie, s. Pz. Jg. Abt 654, Franco,  
Spring 1944



### WEATHERING STEPS WITH AMMO PRODUCTS

- |  |   |   |  |
|--|---|---|--|
| <b>1</b> GENERAL WASH<br>A.MIG-1000 Brown Wash for Dark Yellow | <b>3</b> STREAKING<br>A.MIG-1203 Streaking Grease | <b>5</b> RUST<br>A.MIG-1254 Streakingbrusher Rust | <b>7</b> MUD & SPLASHES<br>A.MIG-1704 Heavy Earth / A.MIG-1753 Turned Dirt |
| <b>2</b> FILTER<br>A.MIG-1511 Brown for Dark Yellow            | <b>4</b> TRACK WASH<br>A.MIG-1002 Tracks Wash     | <b>6</b> DUST<br>A.MIG-3011 Airfield Dust         | <b>8</b> GREASE & OIL<br>A.MIG-1408 Fresh Engine Oil                       |



03.03.2125



# Jagdpanther Ausf.G1

www.migjimez.com

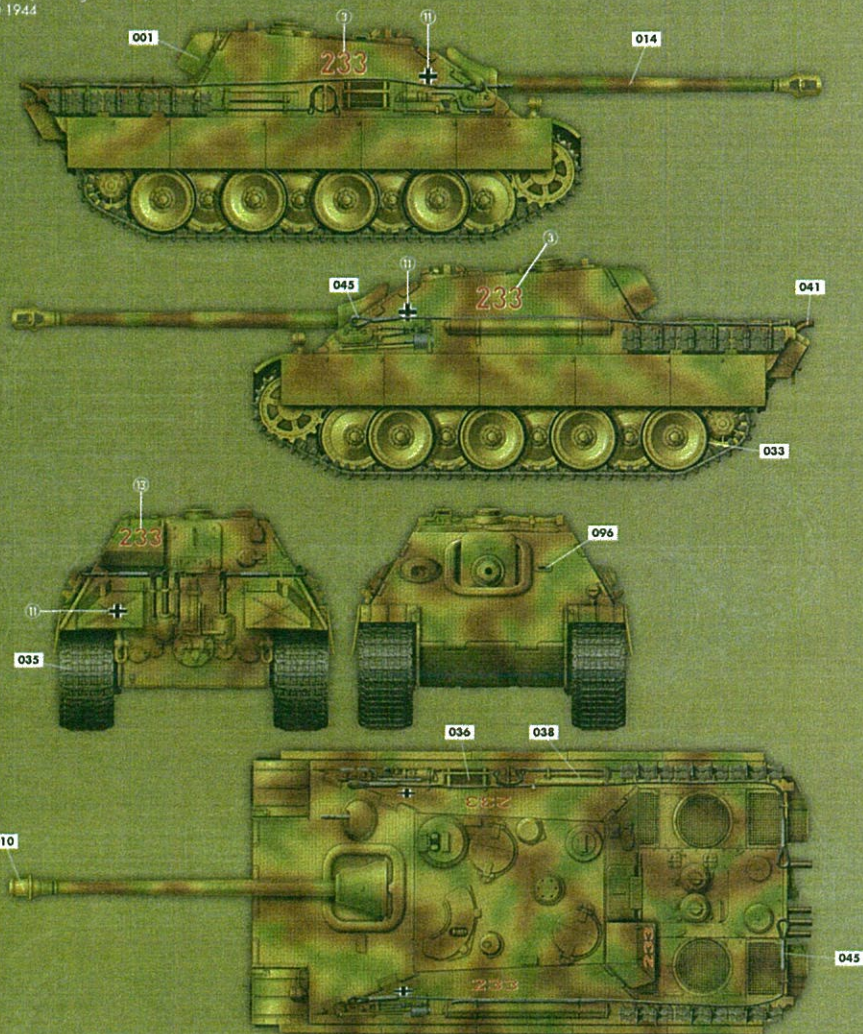


## Painting and Marking Guide

**TAKOM** Ref: 2125

Jagdpanther Ausf.G1 Mid/Late Production.

II Kompanie, s. Pz. Jg. Abt. 654, France,  
August 1944



### WEATHERING STEPS WITH AMMO PRODUCTS

- |  |   |  |   |
|--|---|--|---|
| <b>1 GENERAL WASH</b><br>A.MIG-1000 Brown Wash for Dark Yellow | <b>3 STREAKING</b><br>A.MIG-1253 Streakingbrusher Grime | <b>5 RUST</b><br>A.MIG-1253 Streaking Rust Effects | <b>7 MUD &amp; SPLASHES</b><br>A.MIG-1703 Moss Ground / A.MIG-1752 Loose Ground |
| <b>2 FILTER</b><br>A.MIG-1510 Tan for 3 Tone Camo              | <b>4 TRACK WASH</b><br>A.MIG-1002 Tracks Wash           | <b>6 DUST</b><br>A.MIG-3013 Rubble                 | <b>8 GREASE &amp; OIL</b><br>A.MIG-1408 Fresh Engine Oil                        |

03.03.2125



# Jagdpanther Ausf.G1

www.migjimez.com

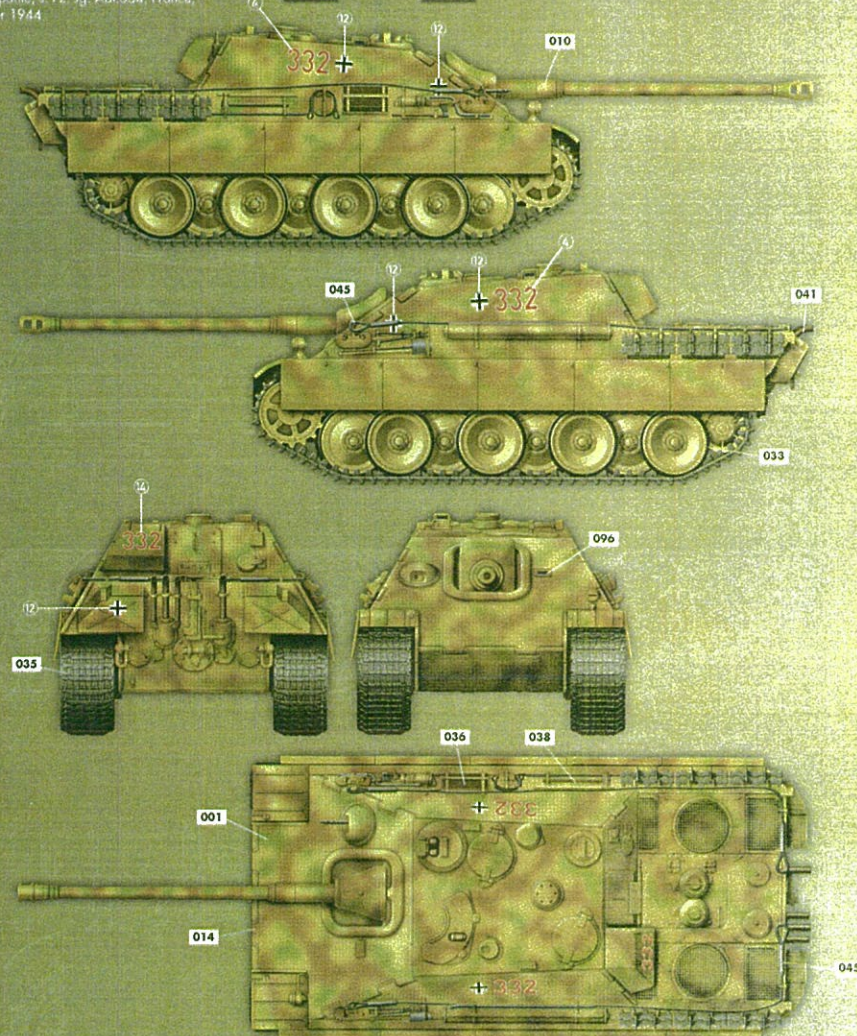


## Painting and Marking Guide

**TAKOM** Ref: 2125

Jagdpanther Ausf.G1 Mid/Late Production.

III Kompanie, s. Pz. Jg. Abt. 654, France,  
Summer 1944



### WEATHERING STEPS WITH AMMO PRODUCTS

- |   |  |  |  |
|---|--|--|--|
| <b>1 GENERAL WASH</b><br>A.MIG-1008 Dark Wash     | <b>3 STREAKING</b><br>A.MIG-1256 Streakingbrusher Green-Gray Grime | <b>5 RUST</b><br>A.MIG-1204 Streaking Rust Effects | <b>7 MUD &amp; SPLASHES</b><br>A.MIG-1704 Heavy Earth / A.MIG-1753 Tanned Dirt |
| <b>2 FILTER</b><br>A.MIG-1510 Tan for 3 Tone Camo | <b>4 TRACK WASH</b><br>A.MIG-1002 Tracks Wash                      | <b>6 DUST</b><br>A.MIG-3004 Europe Earth           | <b>8 GREASE &amp; OIL</b><br>A.MIG-1408 Fresh Engine Oil                       |

03.03.2125



# Jagdpanther Ausf.G1

www.migjimenez.com



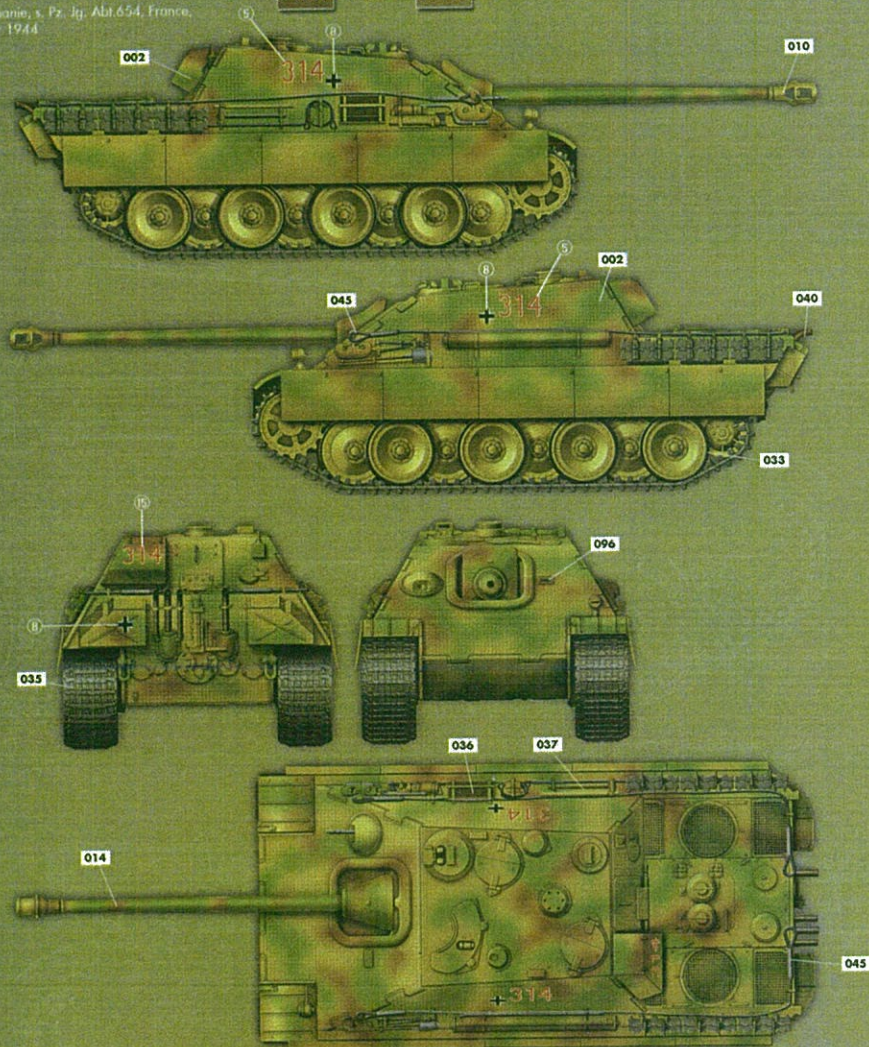
## Painting and Marking Guide

TAKOM Ref: 2125

Jagdpanther Ausf.G1 Mid/Late Production

III Kompanie, s. Pz. Jg. Abt.654, France, Summer 1944

- AMMO 033** Rubber & Tires
- AMMO 035** Dark Tracks
- AMMO 037** New Wood
- AMMO 040** Medium Rust
- AMMO 045** Gum Metal
- AMMO 096** Crystal Persepolis Green
- AMMO 002** Orange Opt.2
- AMMO 010** Darkleaflets Mid war
- AMMO 014** Schokobrasen
- AMMO 036** Old Wood



### WEATHERING STEPS WITH AMMO PRODUCTS

- 1 GENERAL WASH**  
A.MIG-1005 Dark Brown Wash for Green vehicles
- 2 FILTER**  
A.MIG-1510 Tan for 3 Tone Camo
- 3 STREAKING**  
A.MIG-1205 Dark Streaking Grime
- 4 TRACK WASH**  
A.MIG-1002 Tracks Wash
- 5 RUST**  
A.MIG-3510 Rust
- 6 DUST**  
A.MIG-3004 Europe Earth
- 7 MUD & SPLASHES**  
A.MIG-1705 Wet Mud / A.MIG-1754 Damp Earth
- 8 GREASE & OIL**  
A.MIG-1408 Fresh Engine Oil

# PANTHER Ausf.G

## Late Production

### w/IR & Air Defense Armour

- ▲ DETAILED STATIC DISPLAY PLASTIC MODEL
- ▲ TRACK ASSEMBLY IS AIDED WITH THE USE OF A JIG
- ▲ LINK & LENGTH STYLE TRACKS INCLUDED
- ▲ ALL HATCHES CAN BE BUILT IN OPEN OR CLOSED POSITION
- ▲ PE INCLUDED
- ▲ 7 TYPES OF MARKINGS



**TREX** designed by T-Rex Studio in China

## Full Interior

1/35  
No.2121

- ▲ THIS IS NOT A TOY
- ▲ READY TO ASSEMBLE PRECISION MODEL KIT
- ▲ INTENDED FOR COLLECTORS OF AGE 14 YEARS AND ABOVE
- ▲ MODEL MAY VARY FROM IMAGE ON BOX
- ▲ CEMENT AND PAINT NOT INCLUDED

JASON 2019





You can find TAKOM on Facebook.com