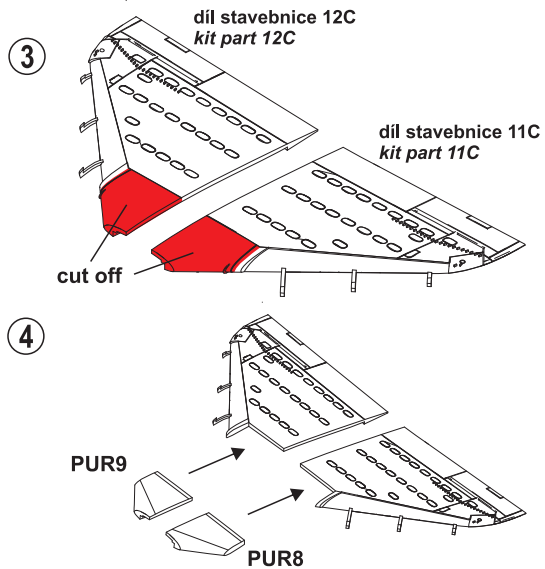
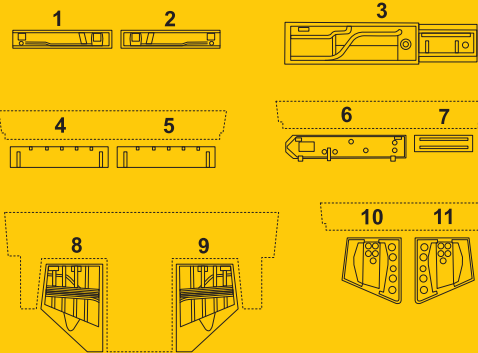


7436
1/72

A-4B/Q Skyhawk Undercarriage Set set for Airfix kit



PUR - Polyurethane parts



Díly ohnuté popř. pokroucené vlivem teplotních změn a stárnutí materiálu, mohou být narovnány do požadovaného tvaru pomocí proudu teplé vody nebo vzduchu (fén na vlasy).

Parts slightly distorted and bent owing to temperature changes or due to material ageing can be straightened to requested shape by hot water or hot air jet. (hair dryer)

This process can be repeated till result is entirely satisfactory.

K lepení použít kyanoakrylátové lepidlo!

For best result gluing use cyanoacrylate glue!

Contactní plochy doporučujeme před lepením odmastit
Contact areas ungrease is recommended before gluing.

Visit our official website and e-shop at
www.cmkkits.com
www.specialhobby.eu
www.facebook.com/specialhobby/

- Other CMK sets for 1/72 A-4 Skyhawk kits:
7431 A-4B/Q Skyhawk Interior for Airfix kit
7432 A-4B/Q Skyhawk Control Surfaces for Airfix kit
Q72307 A-4A/B/C(early) Skyhawk Wheels (early with spoke type hubs), for Fujimi kits
Q72308 A-4C(late) and later Skyhawk Wheels (late type with plain hubs), for Fujimi, Hasegawa kits
Q72314 A-4B/P Skyhawk Mainwheels and Nosewheel (early with spoke type hubs), for Airfix kit

