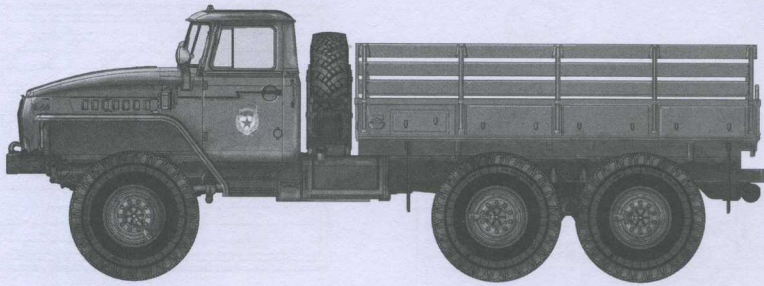


1:72 Scale

ITEM NO.:82930



Russian URAL-4320 Truck

ロシア URAL-4320 軍用トラック 俄罗斯 URAL-4320 卡车

READ BEFORE ASSEMBLY:

装配之前仔细阅读

- This kit is not recommended for inexperienced modelers or for children under 14 years of age
 - Study and understand these instructions thoroughly before beginning assembly
 - When needed, remove photo-etch parts carefully using a modeling knife or photo etch sprue cutter, being careful not to damage or lose small parts.
 - Take extra care in handling photo etch parts in order to avoid injury
 - Apply instant cement sparingly to photo etch parts where instructed
 - Tools recommended(not included in kit):Plastic and instant cements,sprue cutters,long nose pliers,,modeling knife, small files, tweezers, pin vise & scissors. Soft cloth and sandpaper will also assist in construction
 - Glue and paint are not included in the kit. Use plastic cement and hobby paints only. Color guide for purchasing paint is included in the kit.
 - Keep out of reach of children. They must not be allowed to ingest small parts or handle plastic bags in any way.
- 小心用模型锉刀锉平所有零件表面的注射浇口。
 - 小心用刀片切下蚀刻片零件，不要遗失小零件。
 - 用强力快干胶水粘合蚀刻片零件和金属轴。过量的快干胶水使用可能导致可动零件会粘住，小心涂胶。
 - 取蚀刻片时应特别注意安全，防止利边划伤手指。
 - 某些零件表面需贴上水贴纸，请选择在装配的同时进行。
 - 推荐模型工具(自备)：胶水，水口剪刀，长咀钳，刀片，锉刀，镊子，钳，钻，剪刀，瞬间快干胶。
 - 软布同砂纸同时也是所需工具。
 - 请使用塑料胶水和油漆，模型内不含。
 - 谨防小孩吸吮塑料零件，或者将塑料袋套在头上，制作时应将套材远离小孩接触。
 - 本产品不适合14岁以下没有经验的模型爱好者。



强力胶

Cyanoacrylate glue



配重

Weight



钻孔

Make hole



切除

Cut/Remove



选择

Option



不涂胶水
No cement



贴纸
Decal



弯曲
Bend



填补
Repair



先装
Install it first



锉平
File / Sand

水贴纸的使用:

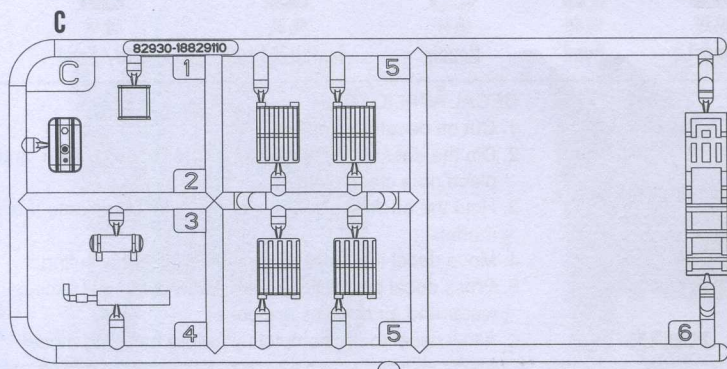
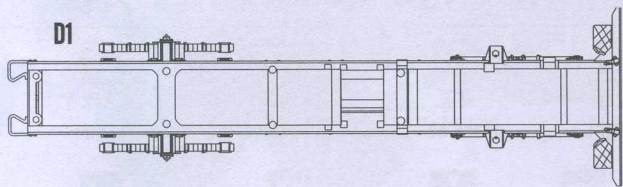
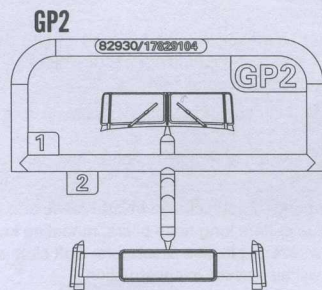
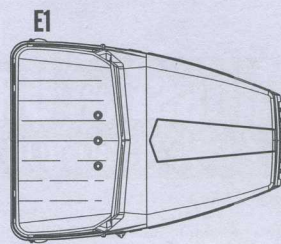
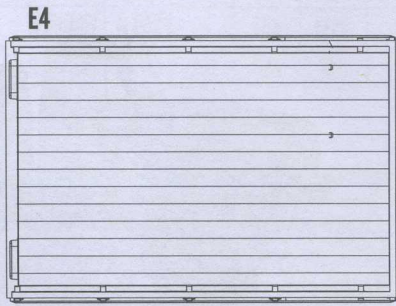
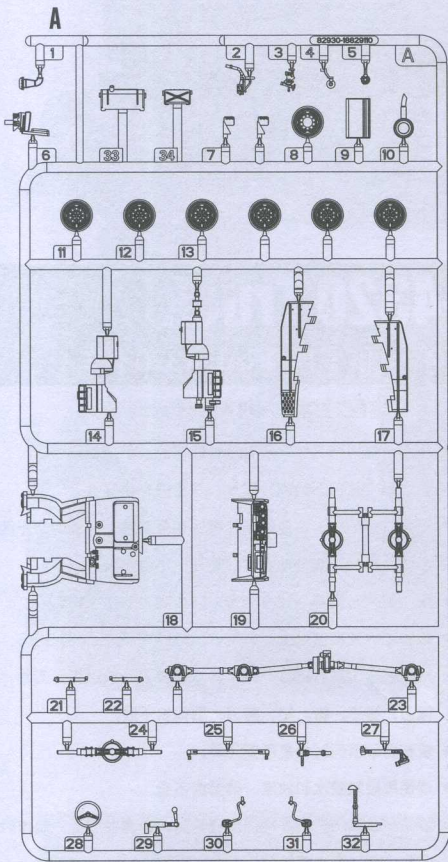
1. 从水贴纸上剪下印花;
2. 将印花放入温水中浸10秒, 然后放在干净布上。
3. 拿着印花纸板将印花移到模型上;
4. 手指蘸水将印花移到适当的位置;
5. 用软布轻压印花直至水干, 气泡消失。

DECAL APPLICATION

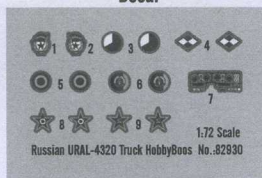
1. Cut off decal from sheet.
2. Dip the decal in tepid water 40°C for about 10 sec. and place on a clean cloth.
3. Hold the backing sheet edge and slide decal onto the model.
4. Move decal into position by wetting decal with finger.
5. Press decal gently down with a soft cloth until excess water and air bubbles are gone.
6. Allow decal to dry completely before handling model.

* 说明书中含有重要信息, 应保留。Please Keep instruction since it contains important information.

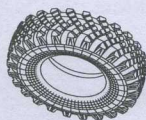
部品图
Parts



《水贴》
Decal

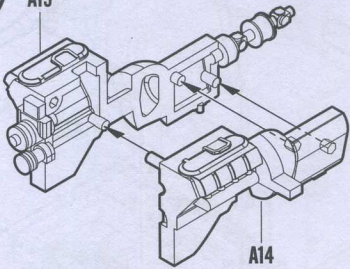


《轮胎》
Tyre x7



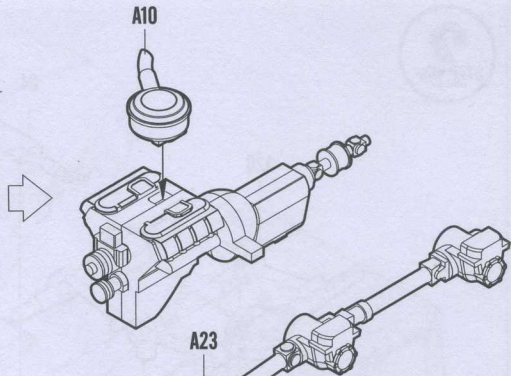
1
STEP

A15



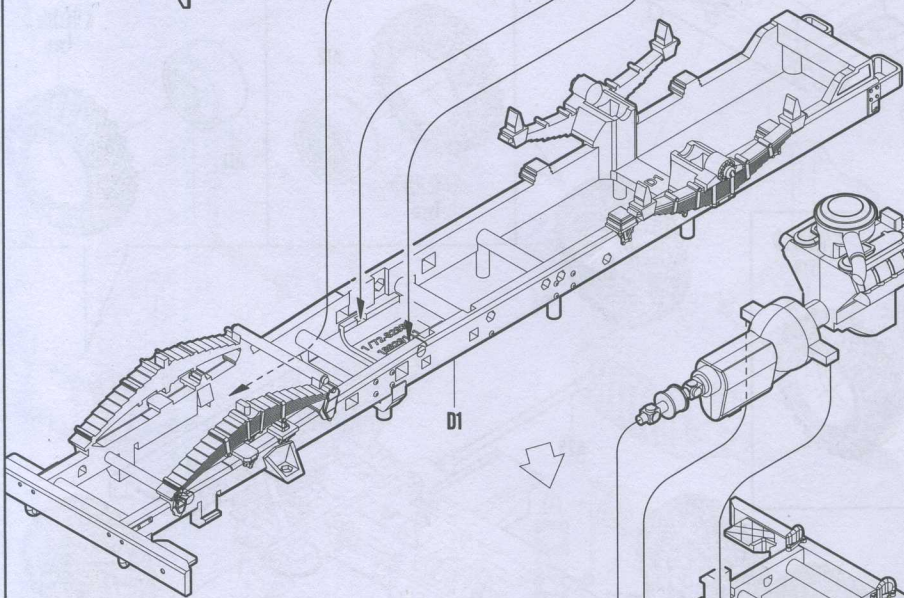
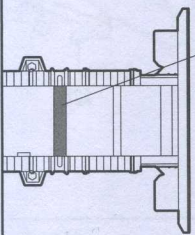
A14

A10

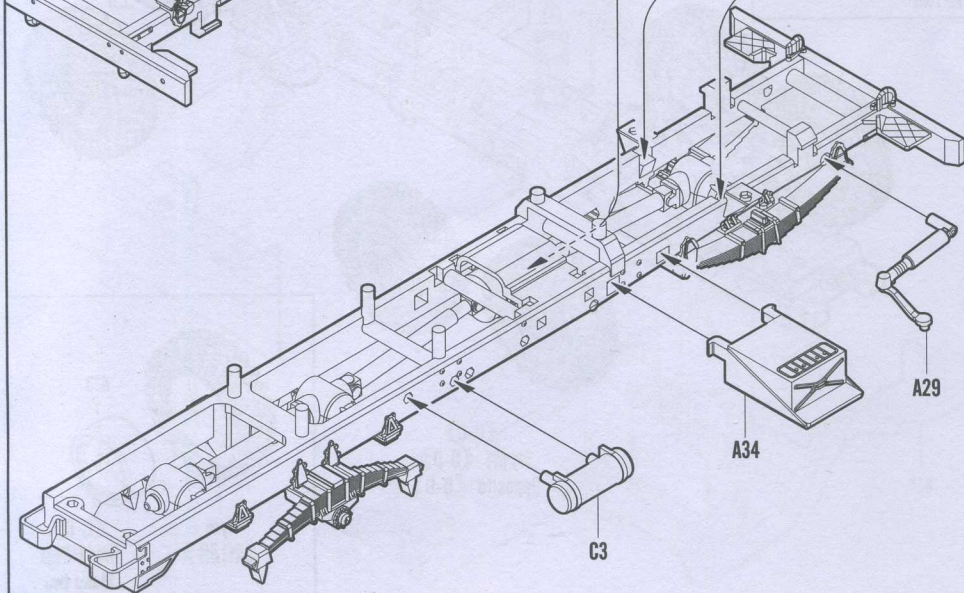


A23


切除
Cut/Remove



D1

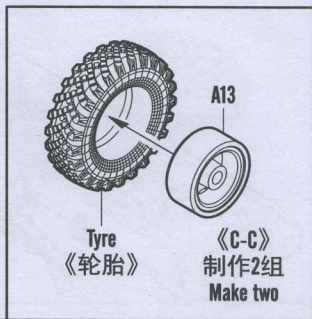
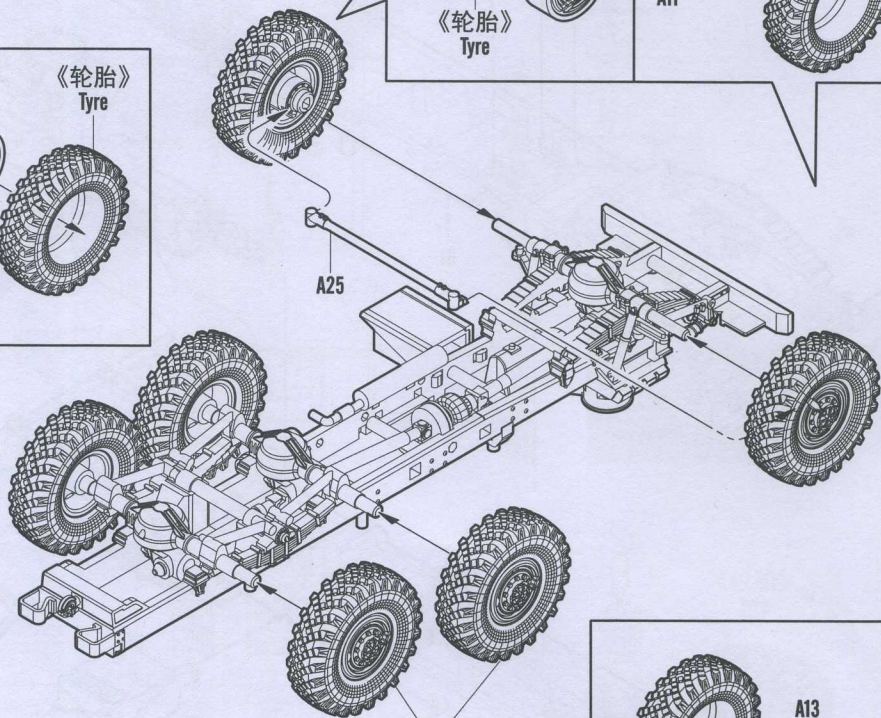
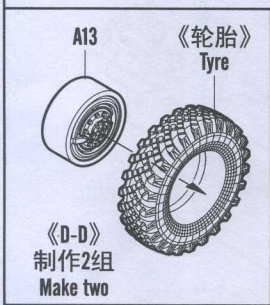
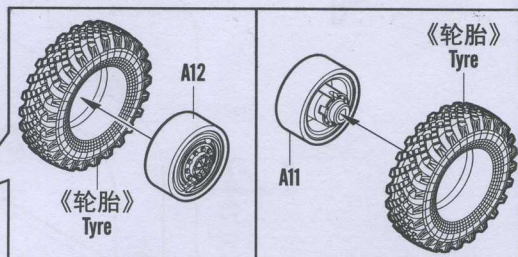
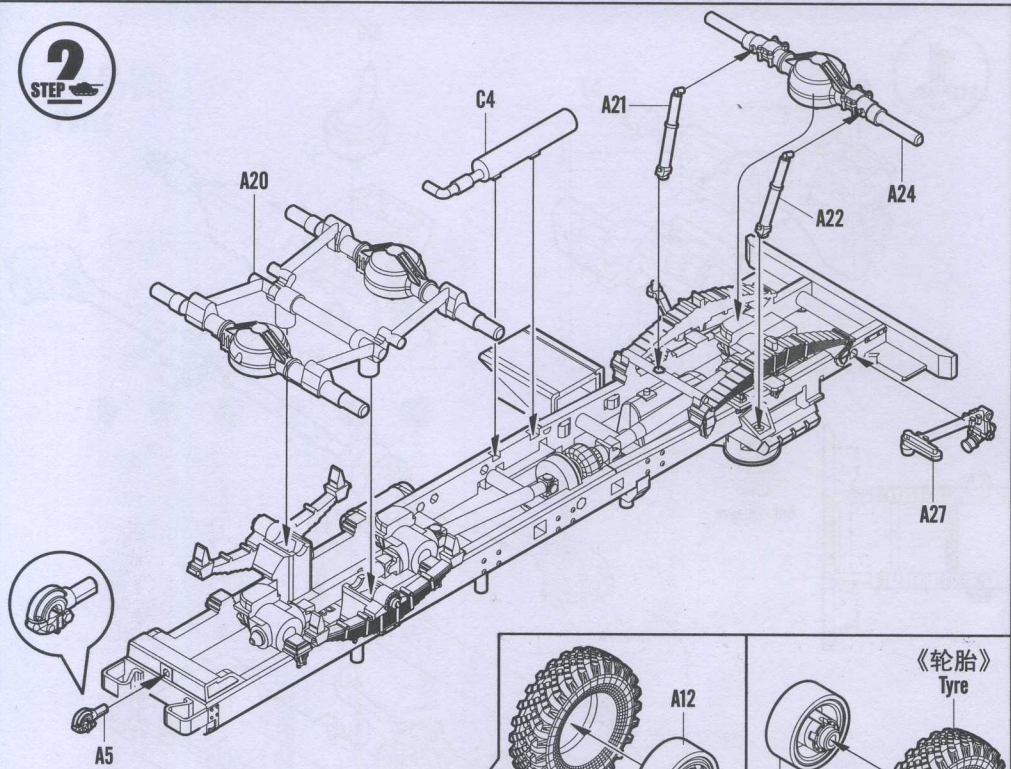


A29

A34

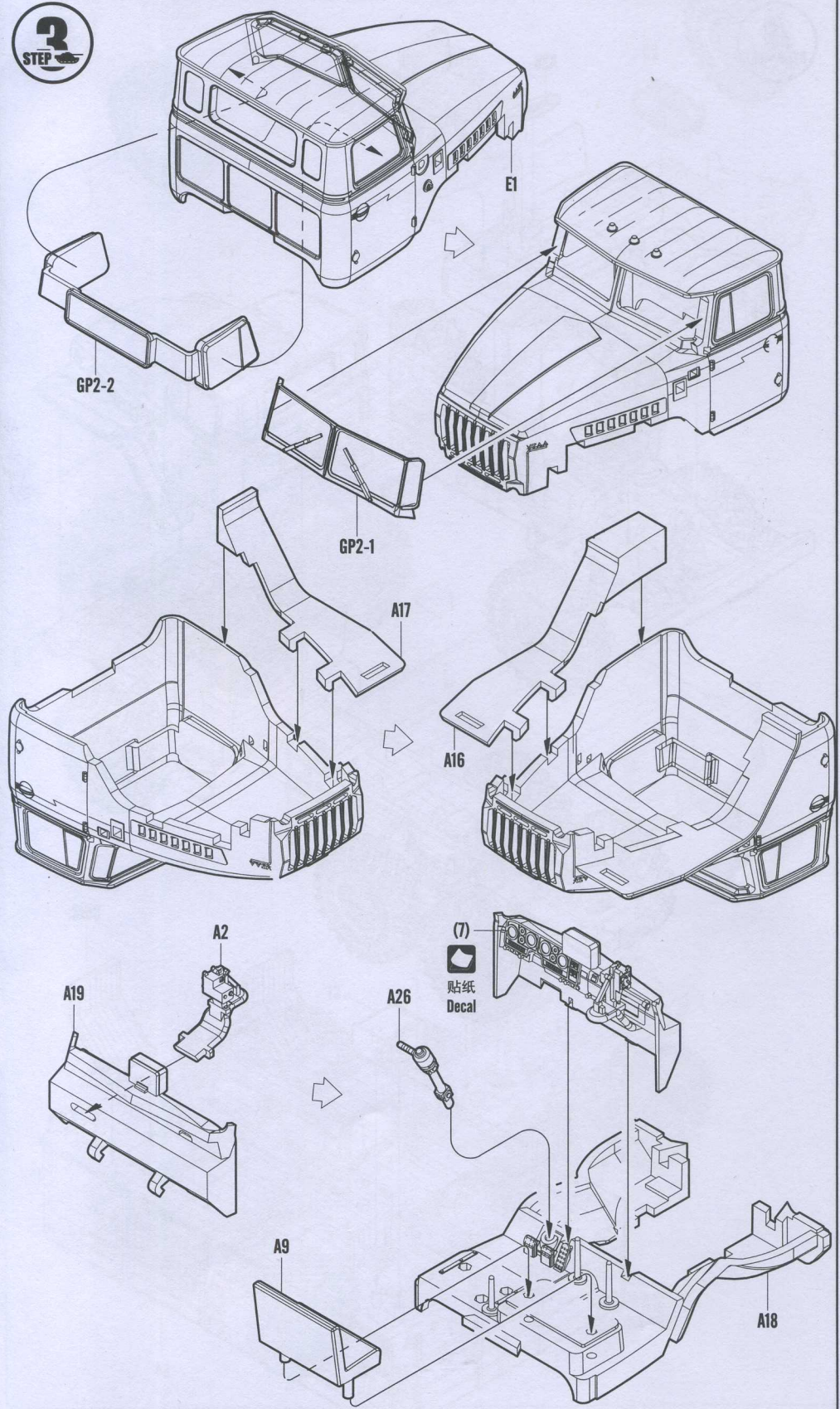
C3

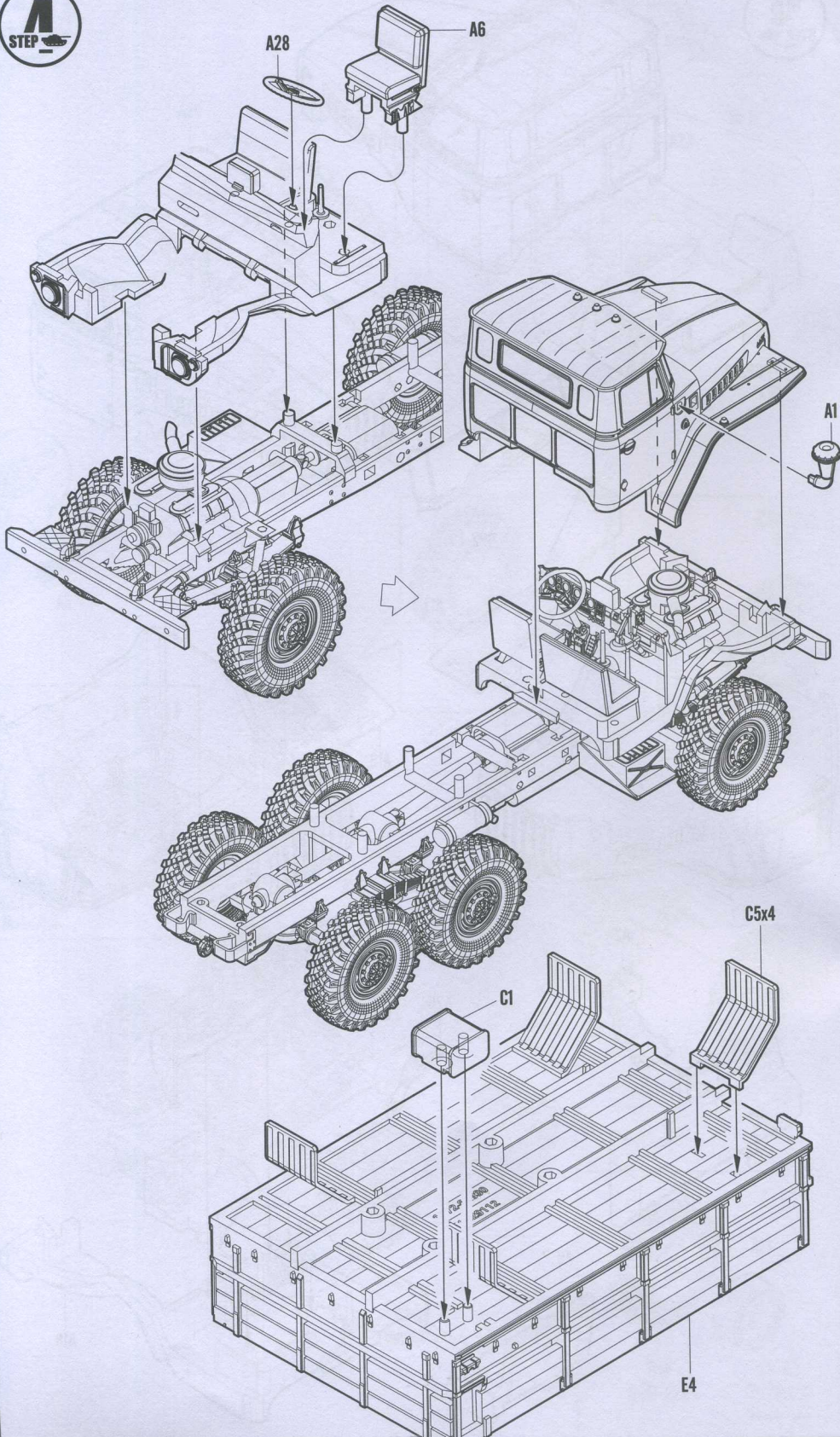
2
STEP



《C-C》
对侧《D-D》
Opposite《D-D》

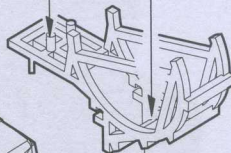
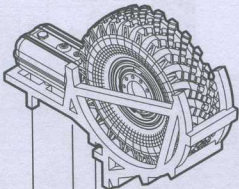
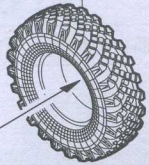
3
STEP



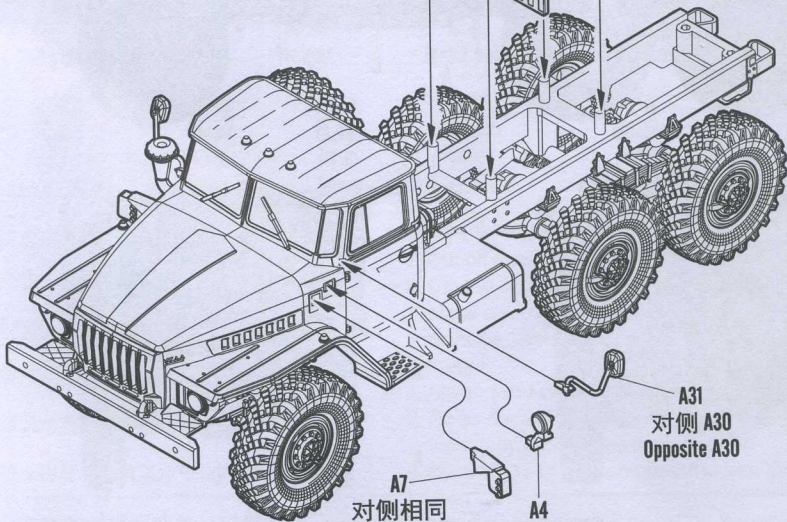
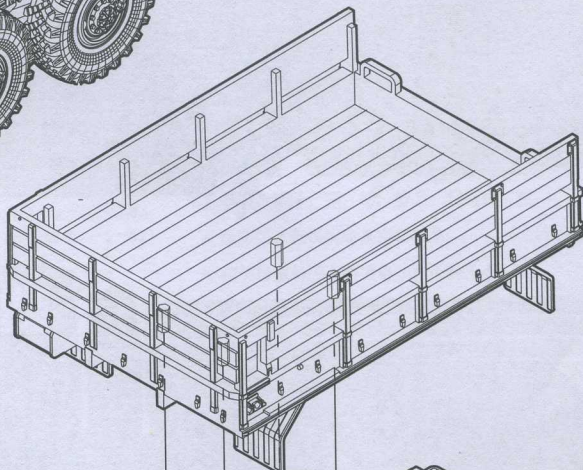
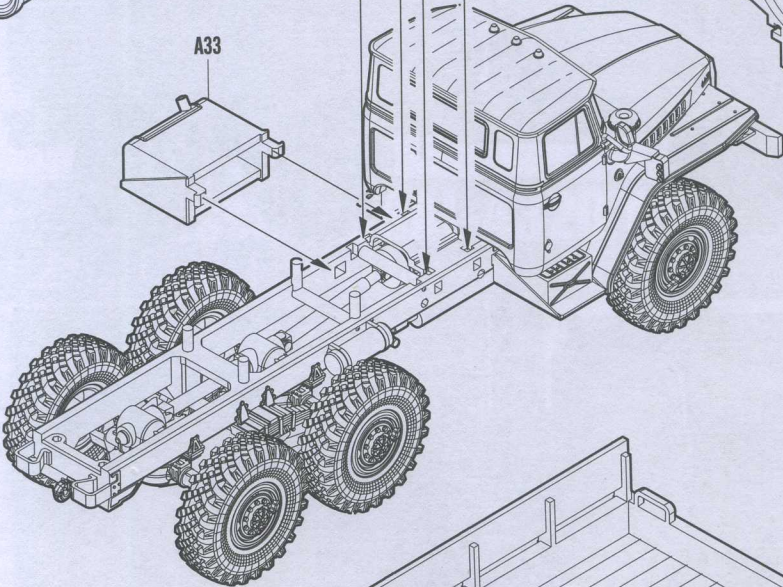
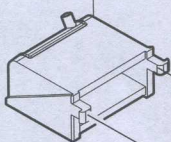


5
STEP

《轮胎》
Tyre



A33



A7
对侧相同
Both sides

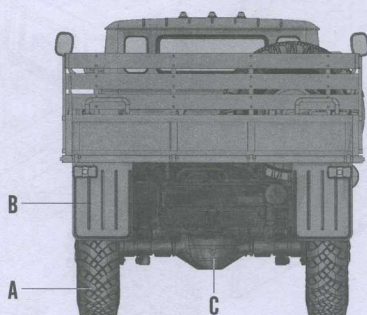
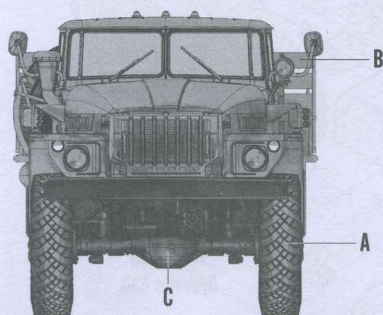
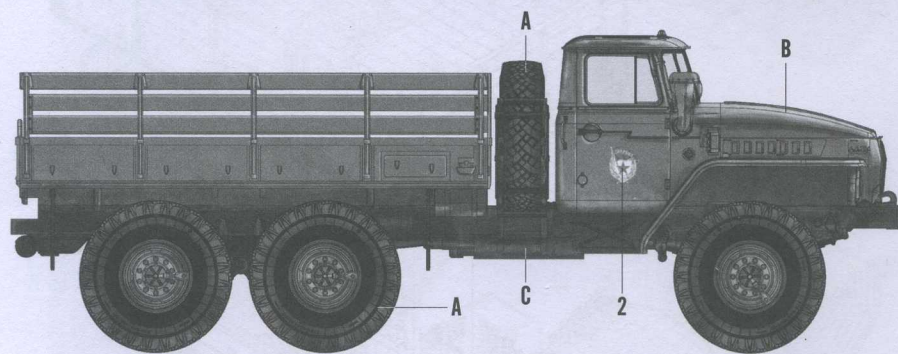
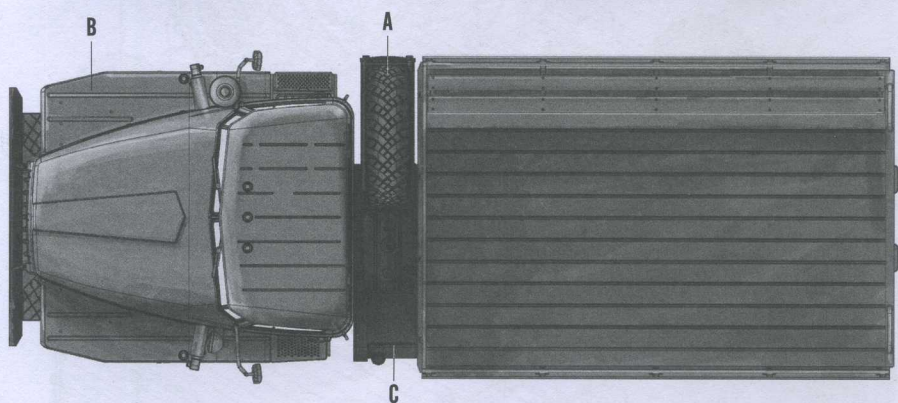
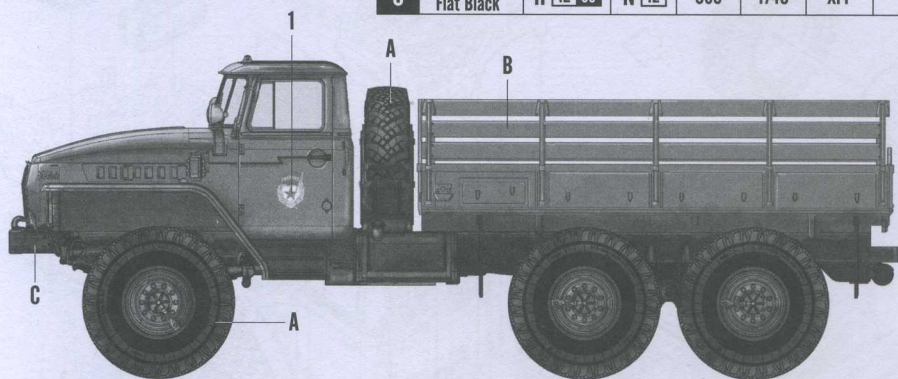
A4

A31
对侧 A30
Opposite A30

标贴与涂装

MARKING & PAINTING

| Color | Mr.Hobby | Acrycion | Vallejo | Model Master | Tamiya | Humbrol |
|----------------------------|---|---|---------|--------------|--------|---------|
| A 胎黑色 Tire Black | H 77 137 | N 77 | -- | -- | XF85 | -- |
| B 绿色 Light Green | H 303 303 | N 303 | -- | 1713 | XF20 | 117 |
| C 消光黑 Flat Black | H 12 33 | N 12 | 950 | 1749 | XF1 | 33 |



H AQUEOUS HOBBY COLOR Mr. COLOR N ACRYSION COLOR