

**2x**

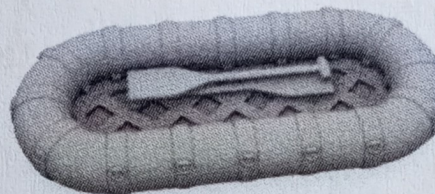
For PT Boat (1/72 Revell kit) Special Hobby offer these resin and 3D printed sets as well as other figures and sets.

Check out [www.specialhobby.eu](http://www.specialhobby.eu)

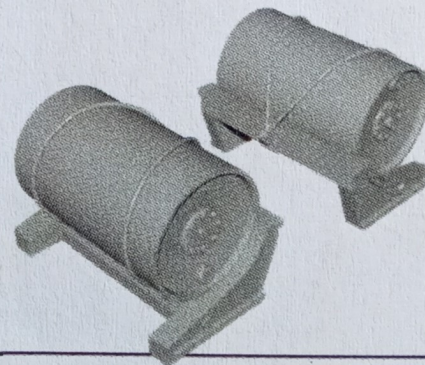
**N72030**  
**PT Boat Weapon**  
**Set No.1**  
 - Mk.4 20mm Oerlikon cannon  
 (recommended for all PT boats)



**N72033**  
**PT-109 Boat Life Raft**  
 (recommended  
 for PT-109 and PT-160)



**N72035**  
**PT-109 Boat Mk.6 Depth**  
**Charges (2pcs)**  
 (recommended  
 for PT-109)



Special Hobby, Mezilesí 718, Praha 9, 193 00, Czech Republic  
 e-mail: [office@specialhobby.eu](mailto:office@specialhobby.eu)

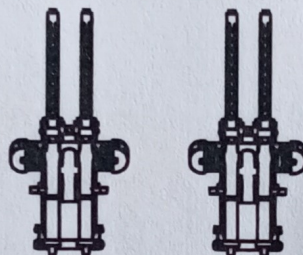
**N72031  
1/72**

**PT Boat Weapon Set No.2  
Twin 12.7 mm AA Brownings**

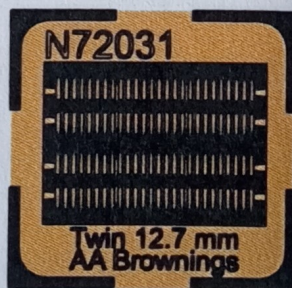
*for Revell kit*



**3D-Printed Parts**



**PE - Photo-etched parts**



© Special Hobby 2023

Díly ohnuté popř. pokroucené vlivem teplotních změn a stárnutí materiálu, mohou být narovnané do požadovaného tvaru pomocí proudu teplé vody nebo vzduchu (fén na vlasy). K lepení použít kyanoakrylátové lepidlo! Kontaktní plochy doporučujeme před lepením odmastit. Různé drátky a tyčinky nejsou přiloženy.

*Parts slightly distorted and bent owing to temperature changes or due to material aging can be straightened to requested shape by hot water or hot air jet (hair dryer). This process can be repeated till result is entirely satisfactory. For best result use cyanoacrylate glue! Ungreasing contact areas is recommended before gluing. Wires and rods not included.*

**Visit our official website and e-shop at**  
**[www.cmkkits.com](http://www.cmkkits.com)**  
**[www.specialhobby.eu](http://www.specialhobby.eu)**  
**[www.facebook.com/specialhobby/](https://www.facebook.com/specialhobby/)**

**H1020  
Razor Saw Profi Set**



*The set contains one holder, one H1018 Triangle Razor Saw and one H1019 Multi-shift Razor Saw. Attach the razor blade to the holder as shown in the pictures using the plate with holes and screws.*