

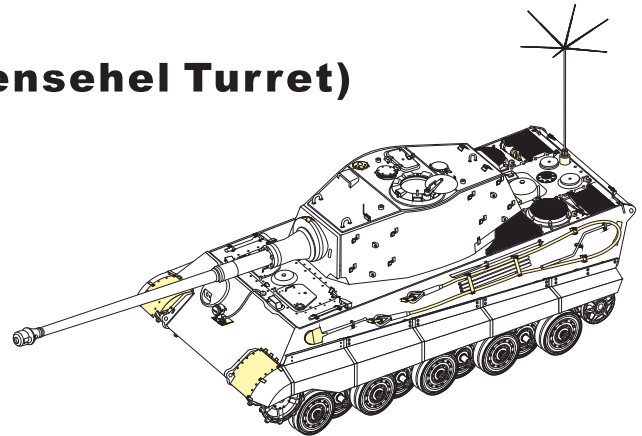
1/35 MILITARY MINIATURE VEHICLE UPGRADE SERIES PE35850

# WWII German King Tiger (Hensehel Turret)

## 二战德军虎王坦克（亨舍尔炮塔）改造件

[For TAKOM]

### ■ 推荐使用工具 RECOMMENDED TOOLS

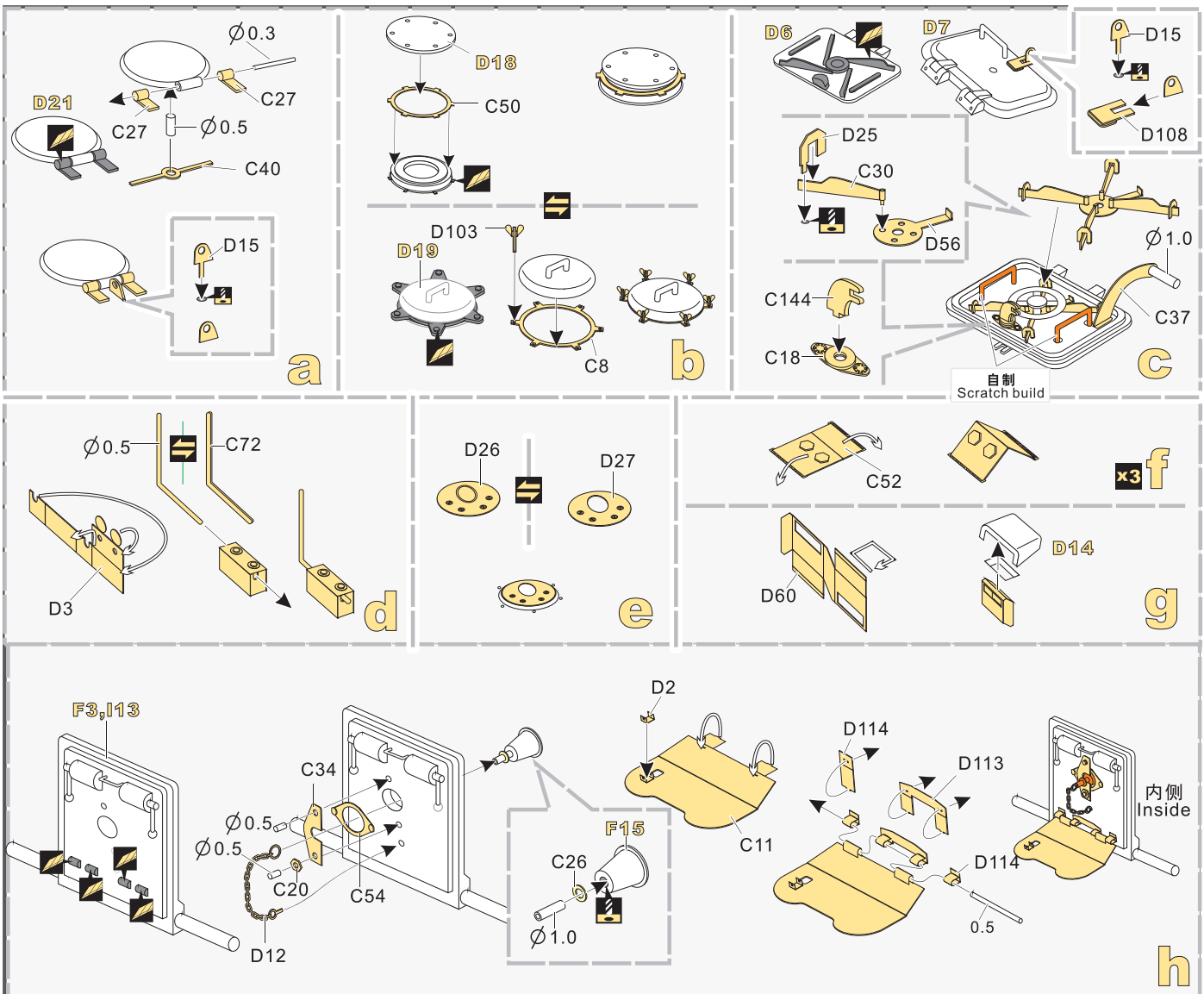


- ↑  
安装  
install
- ↩  
折叠  
bend
- A1**  
改造件零件编号  
PE/resin part number
- B12**  
原零件编号  
kit part number
- C22**  
被替换的原零件编号  
replaced kit part number
- ↻  
弧度卷曲  
radial bending
- ⚙  
钻孔  
drill
- ⚠  
注意  
caution
- ✂  
切除  
remove
- x2**  
制作若干组  
multiple assembly
- ◻  
填补  
fill
- ↔  
选择安装  
alternative
- ◻  
另一侧相同制作  
repeat on opposite side
- ▨  
打磨  
grind off

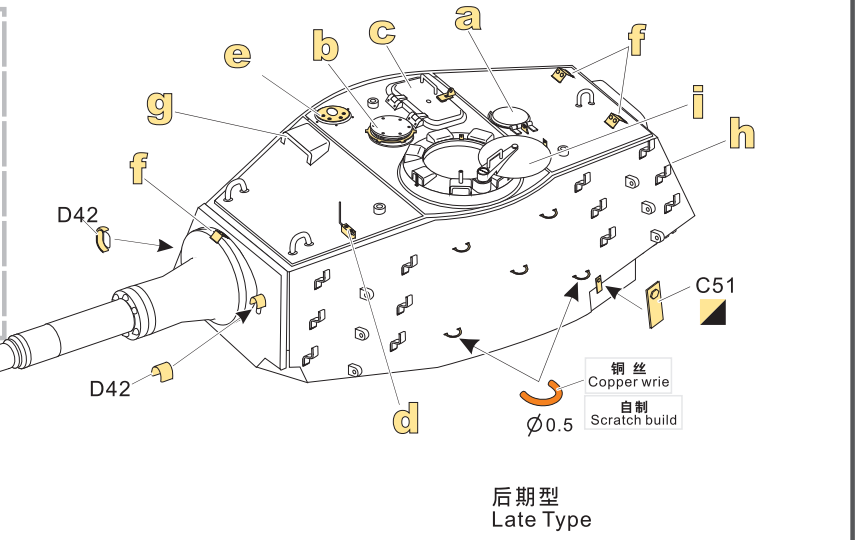
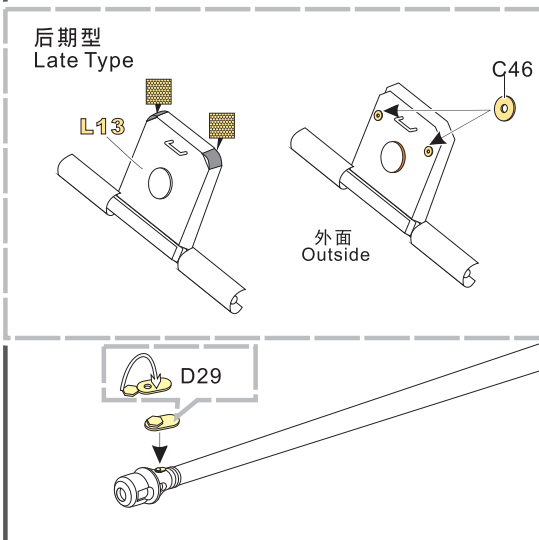
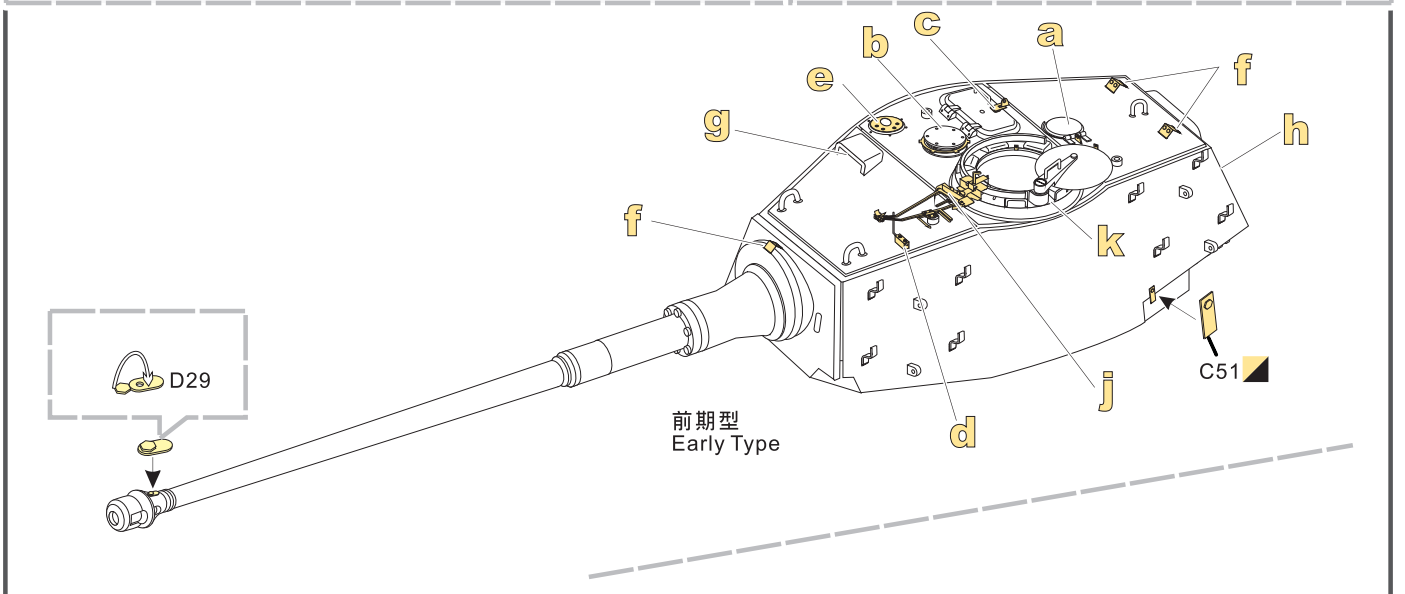
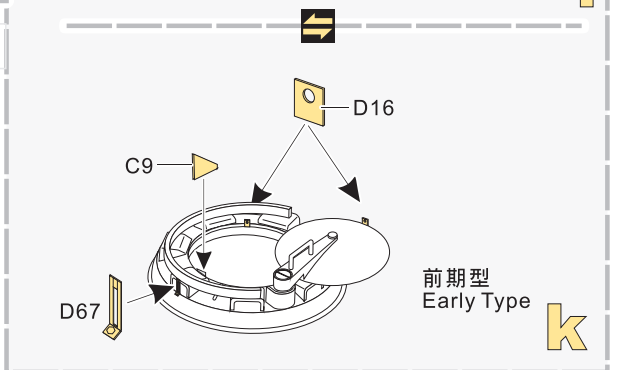
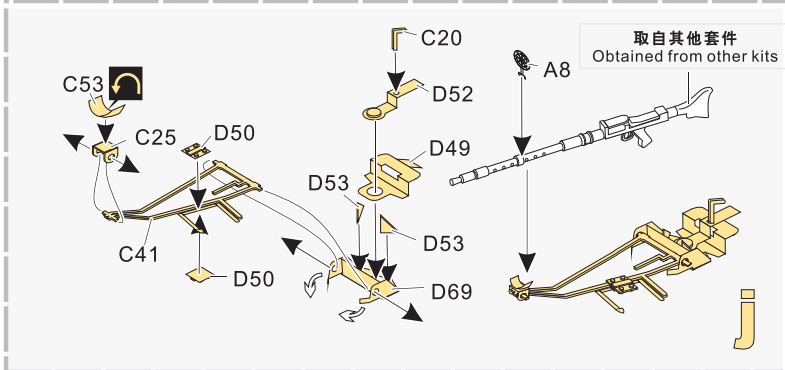
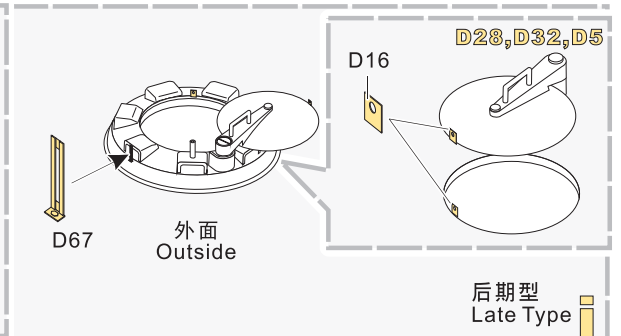
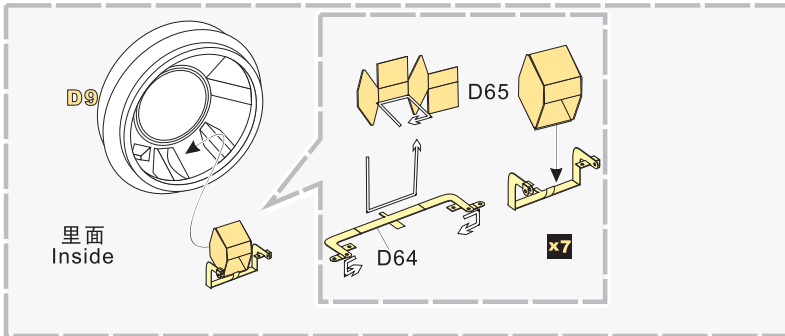
↓  
用尖端在凹槽处冲压  
use penpoint to press on the dent

蚀刻片零件内侧面  
Put the part upside down

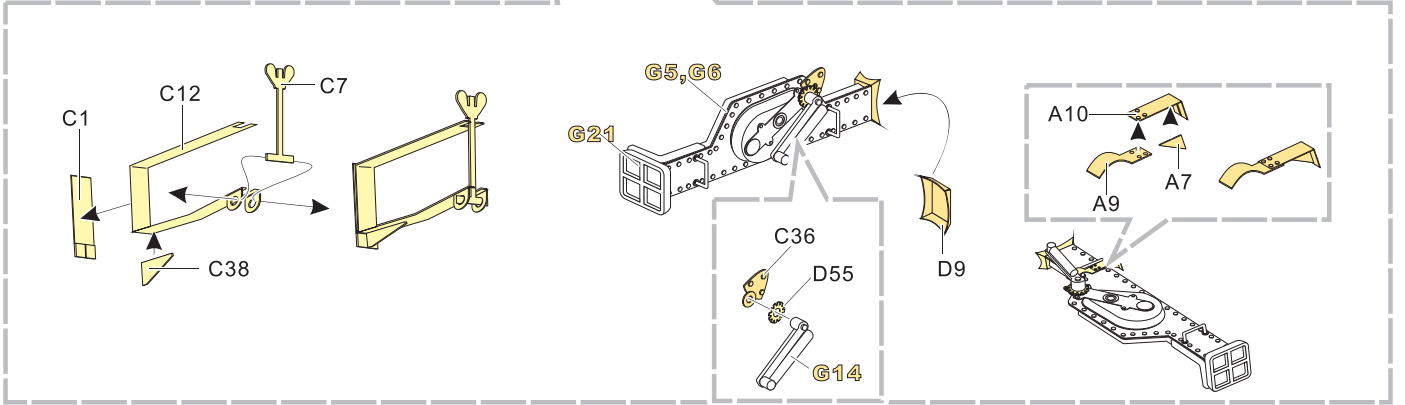
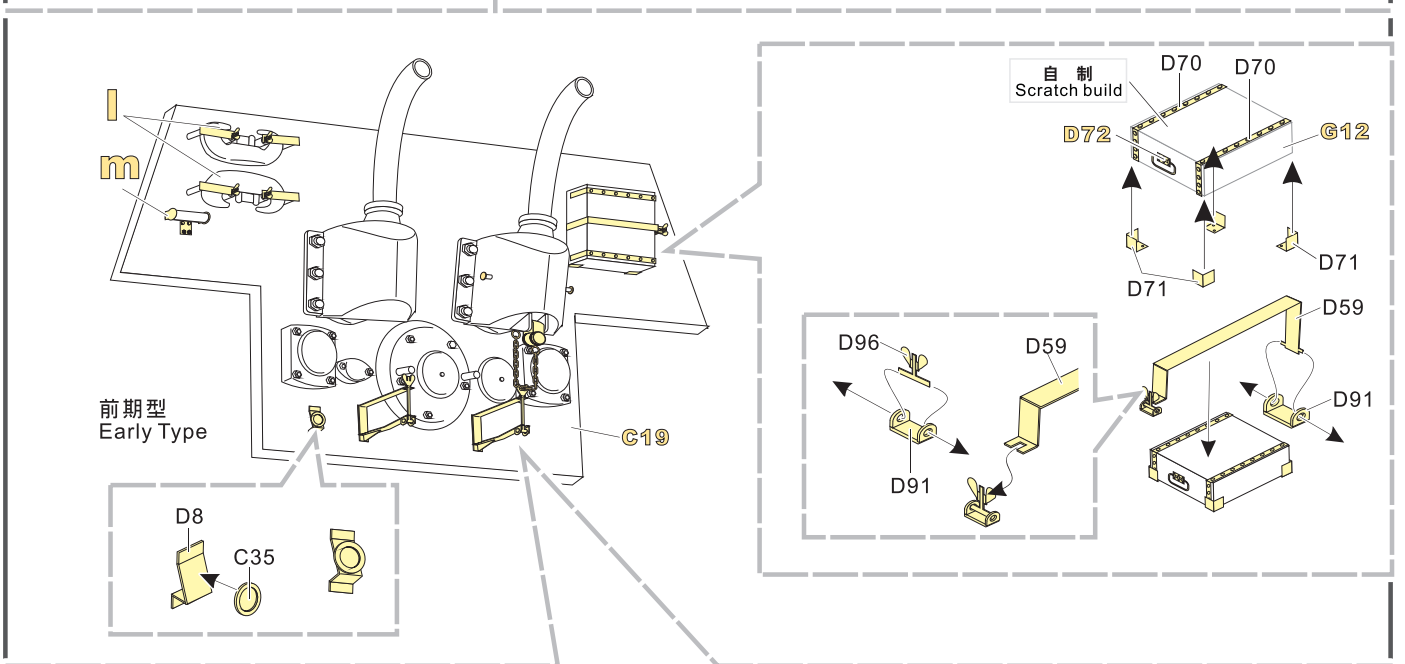
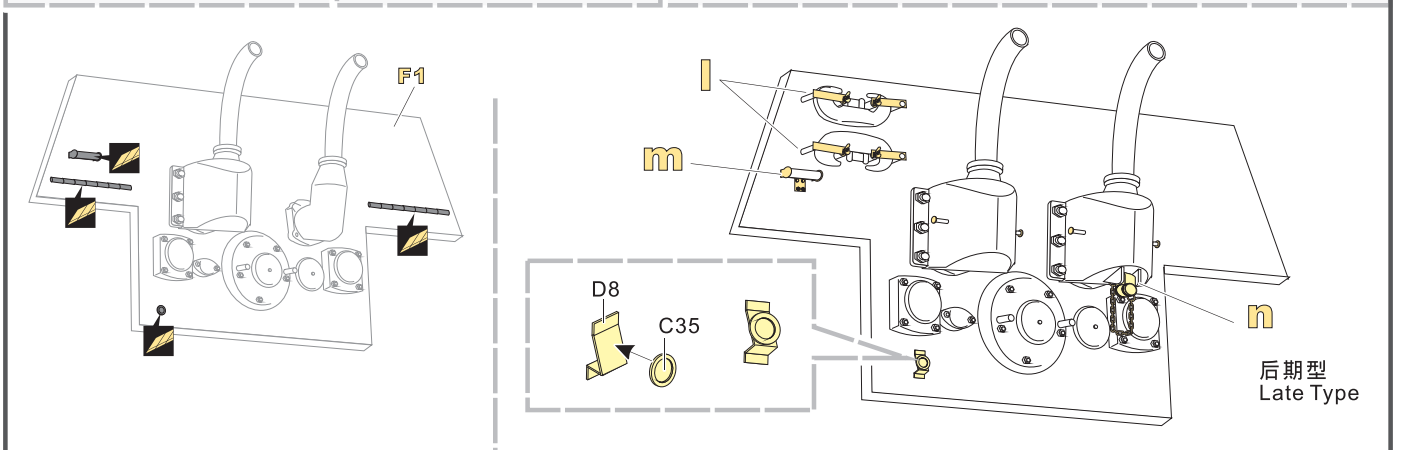
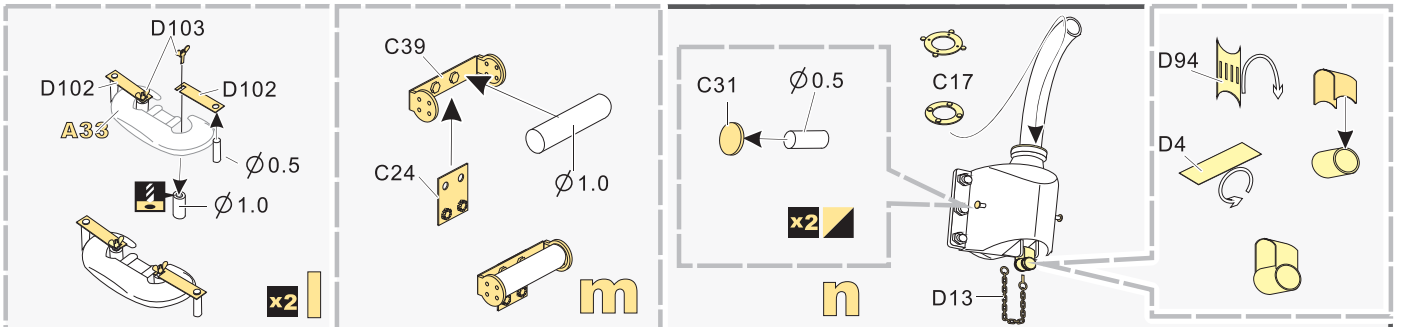
用笔尖在凹槽处刮  
Use penpoint to press on the dent



1/35 MILITARY MINIATURE VEHICLE UPGRADE SERIES PE35850

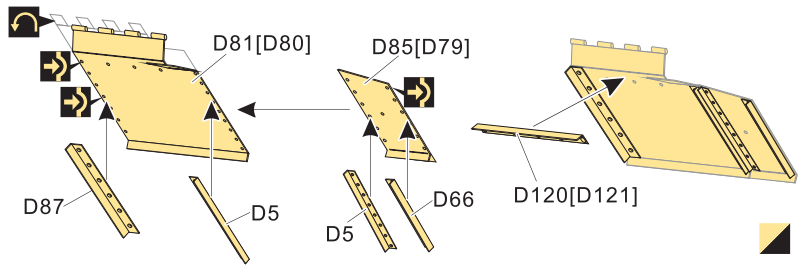


1/35 MILITARY MINIATURE VEHICLE UPGRADE SERIES PE35850

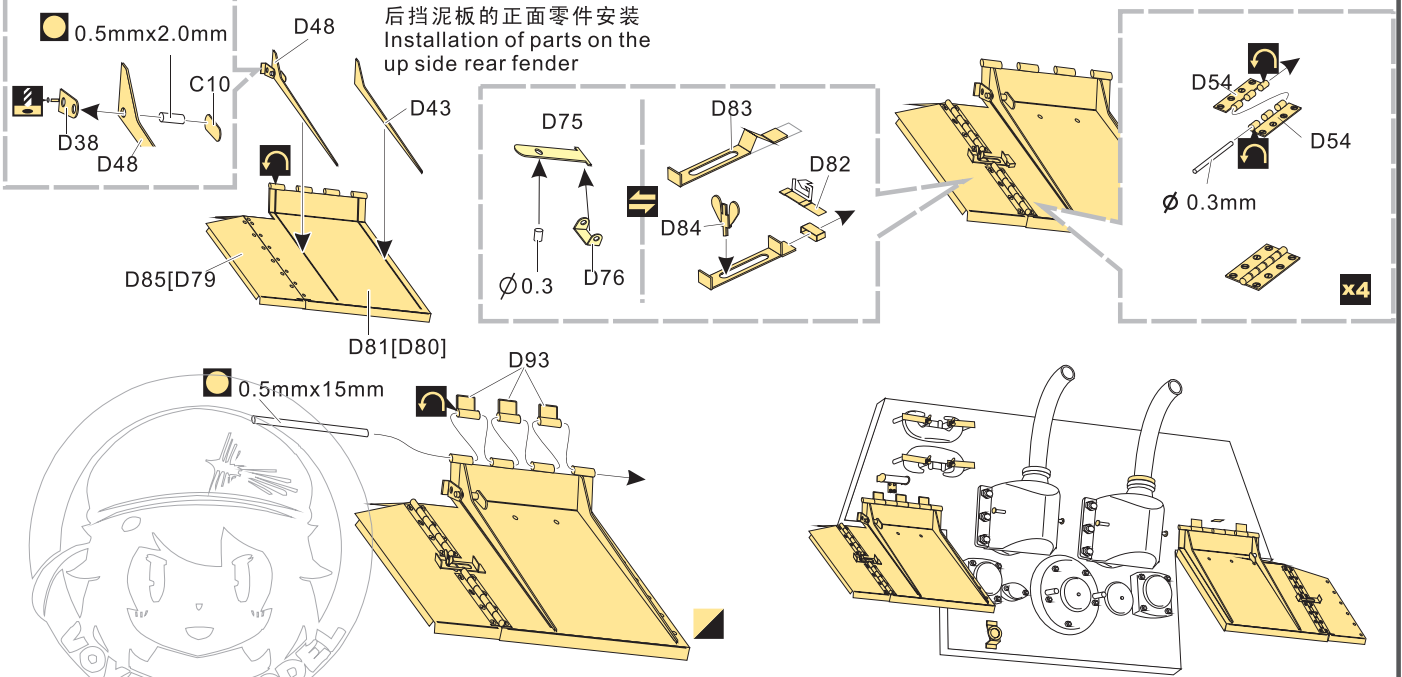


1/35 MILITARY MINIATURE VEHICLE UPGRADE SERIES PE35850

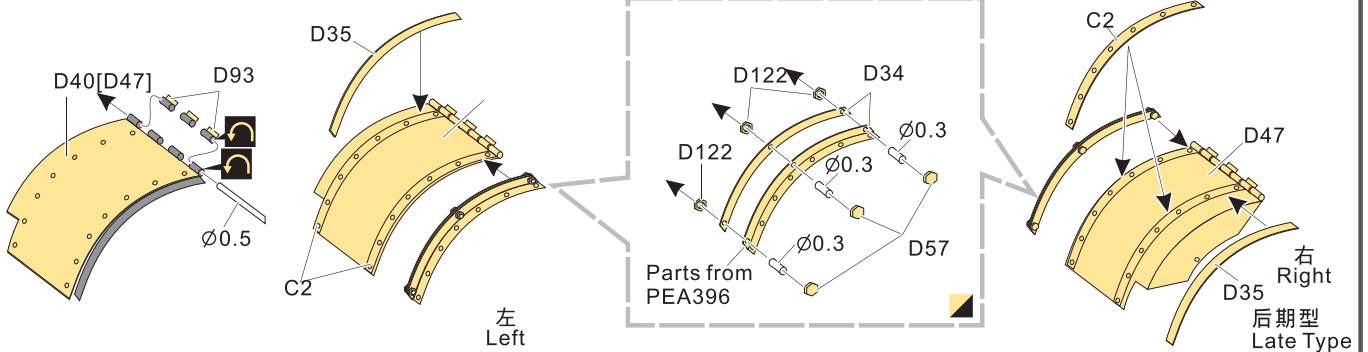
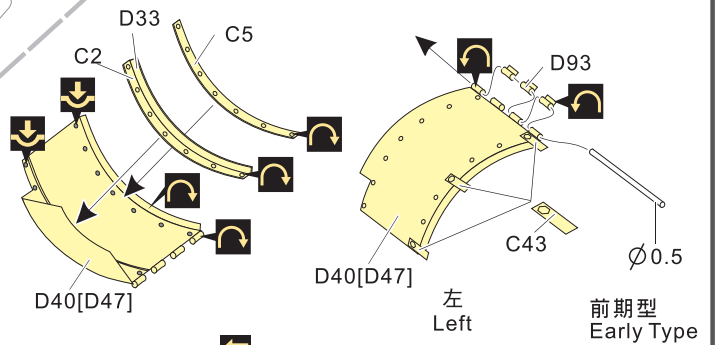
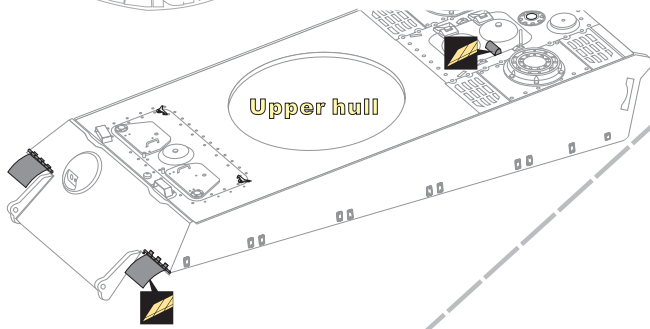
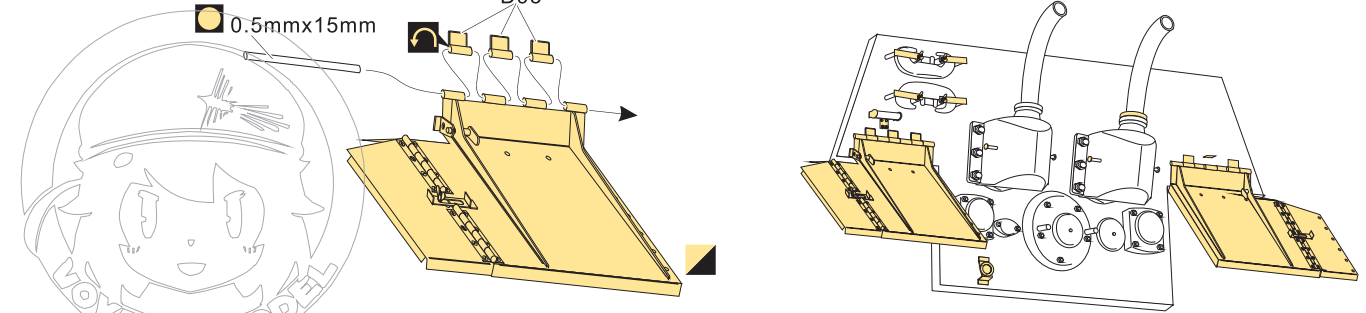
后挡泥板的底面零件安装  
Installation of parts underneath  
the rear fender



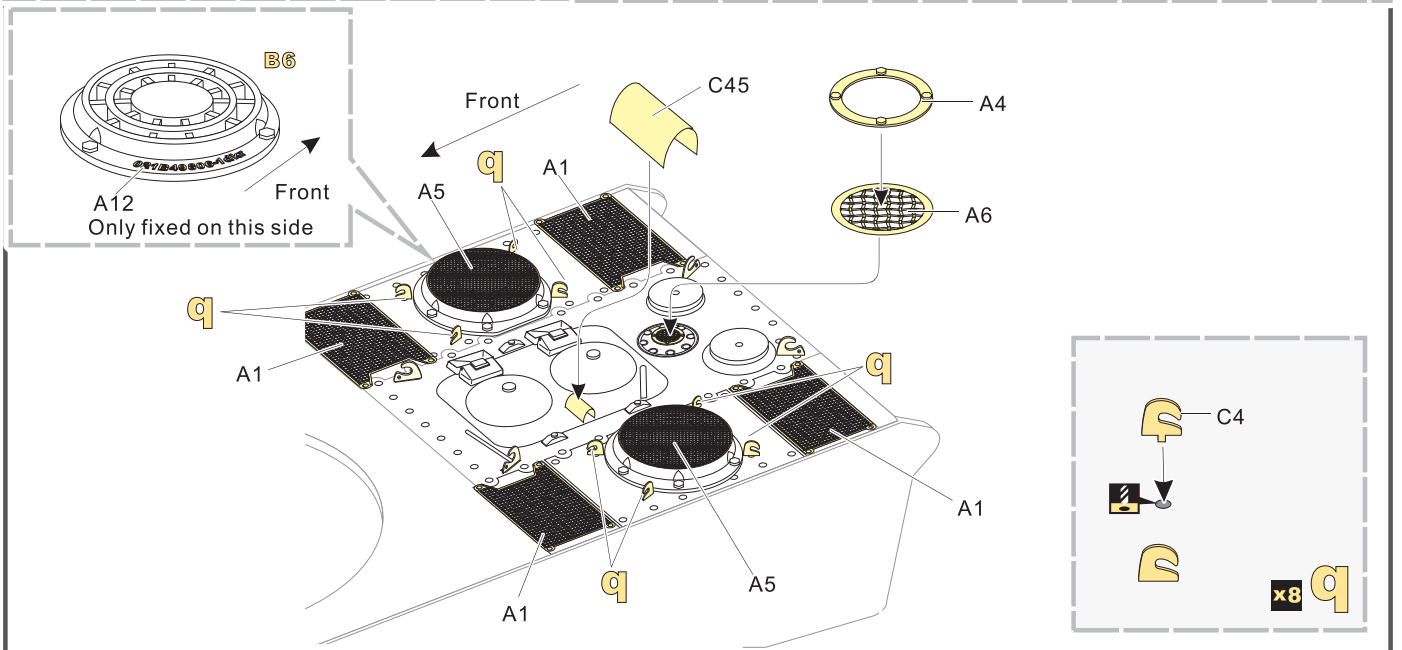
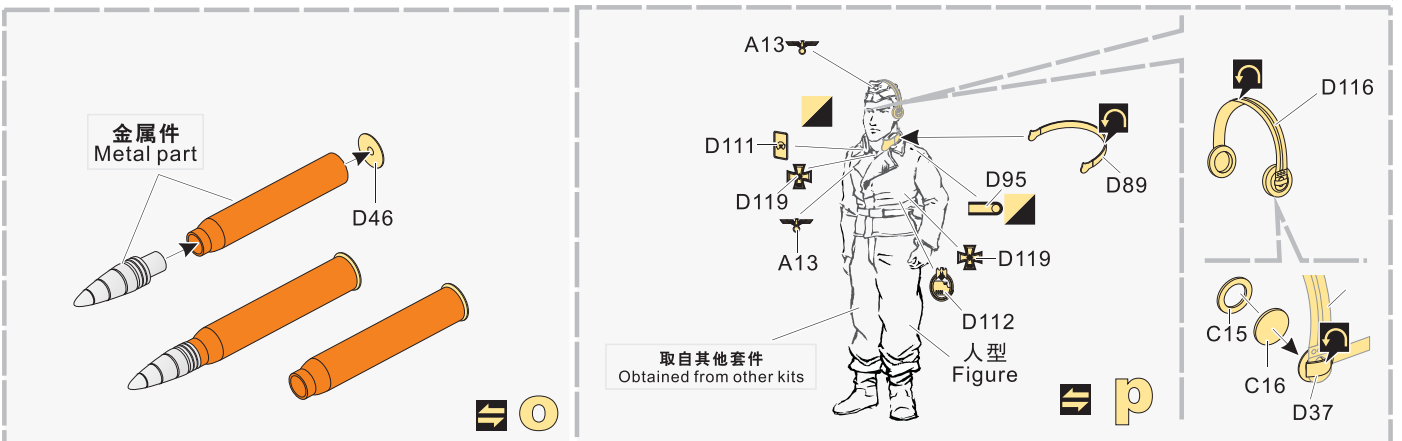
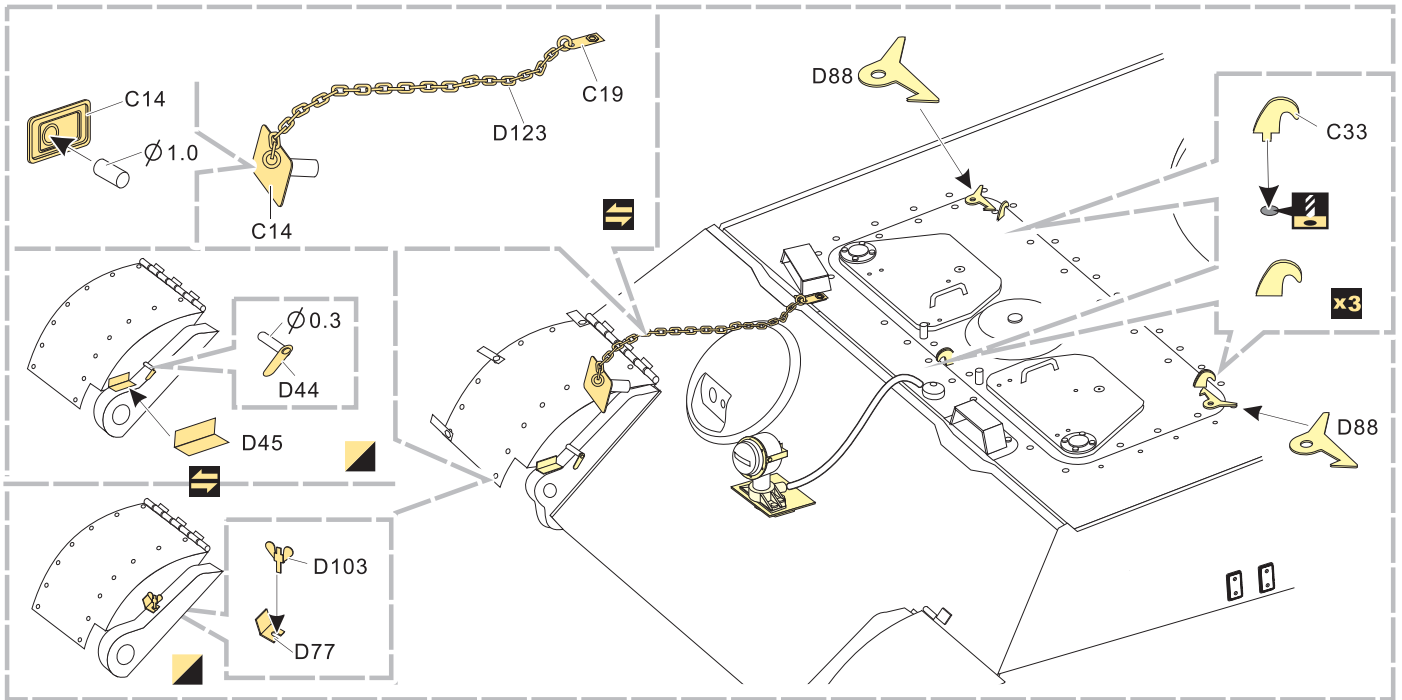
后挡泥板的正面零件安装  
Installation of parts on the  
up side rear fender



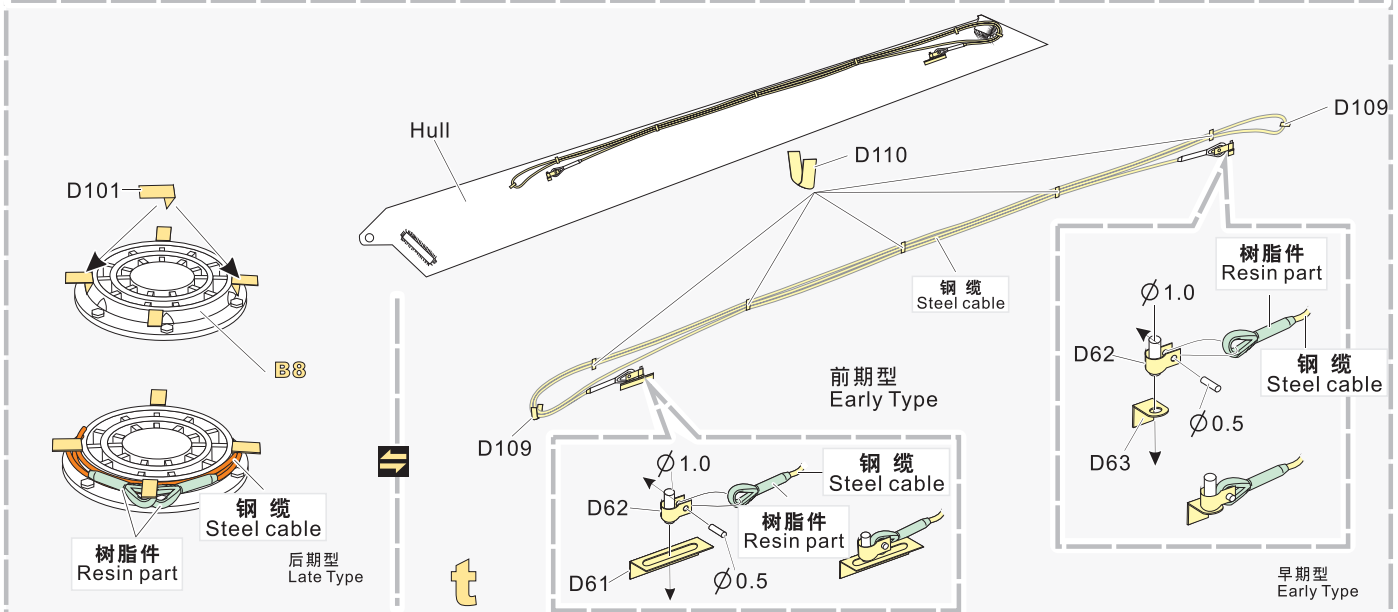
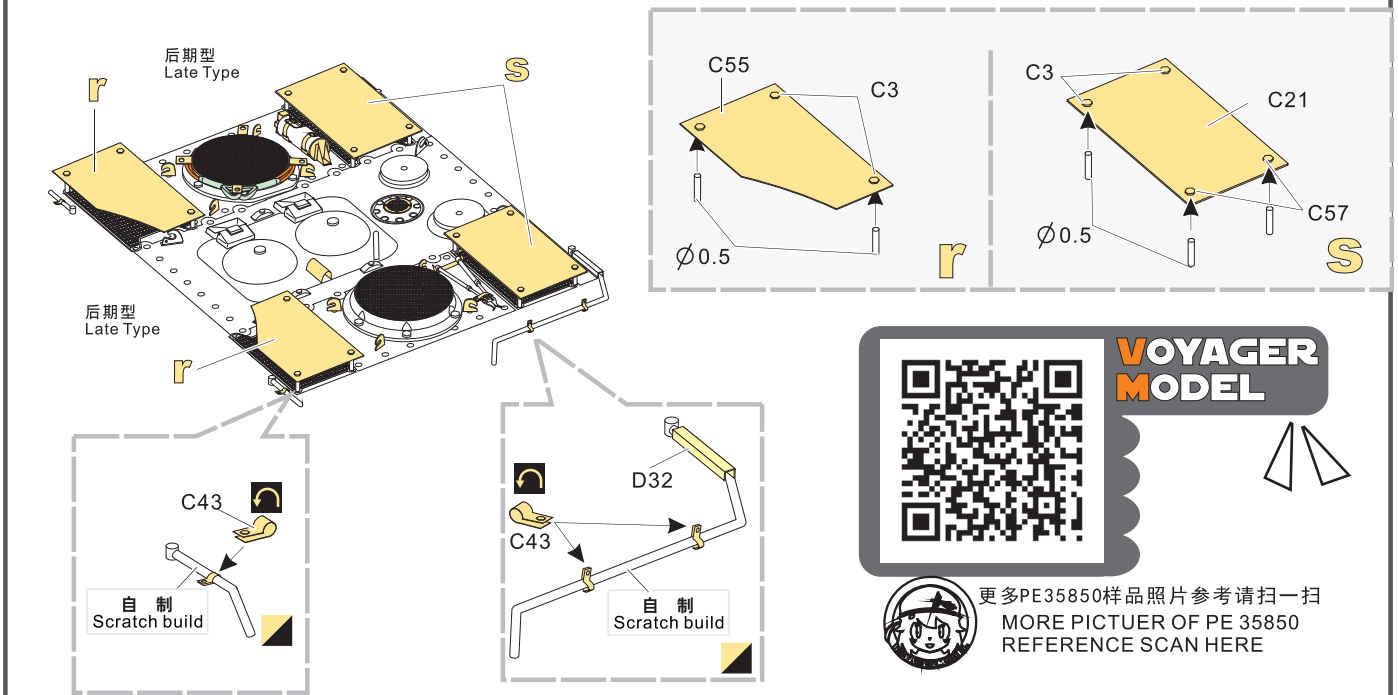
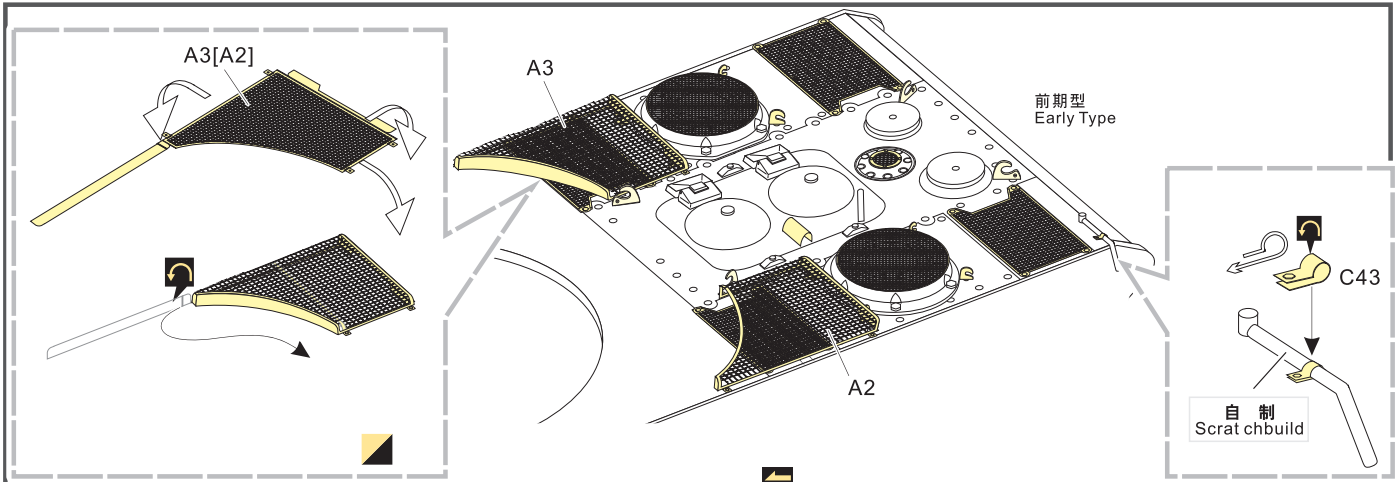
0.5mmx15mm



1/35 MILITARY MINIATURE VEHICLE UPGRADE SERIES PE35850



1/35 MILITARY MINIATURE VEHICLE UPGRADE SERIES PE35850



1/35 MILITARY MINIATURE VEHICLE UPGRADE SERIES PE35850

1/35 MILITARY MINIATURE VEHICLE UPGRADE SERIES PE35850

