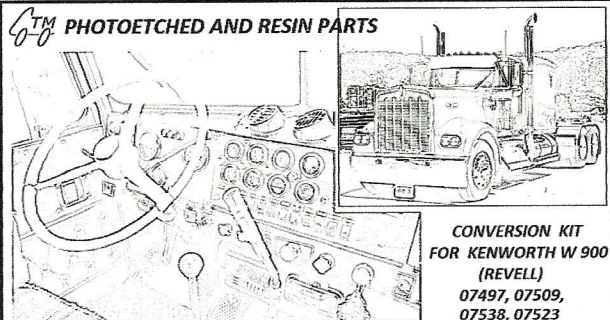




CTM 24102 KENWORTH W 900A - INTERIOR

CONVERSION KIT FOR KENWORTH W 900A (REVELL)



CTM 24102 KENWORTH W 900 - INTERIOR

- DETACH WITH KNIFE
- BEND
- REPLACE
- OPTIONAL
- NUMBER OF WORKING STEPS
- MAKE A HOLE
- GRIND

This set is not a children's toy and was designed for professional modellers only who already have some skills in working with photoetched parts. Special tools for bending of photoetched parts is recommended when working with this set. Non using this tool during bending may cause destruction of the part. Careful bending of the most of the parts could be also done using a metal ruler, a sharp knife and a tweezer on a hard surface. Pay attention, be careful and keep your safety and health in mind during work!

For gluing and filling a cyanoacrylate glue and a glue removing liquid is recommended. When (or even before) working with each part inspection of the real part on the vehicle or a picture of the real thing is recommended and helpful.

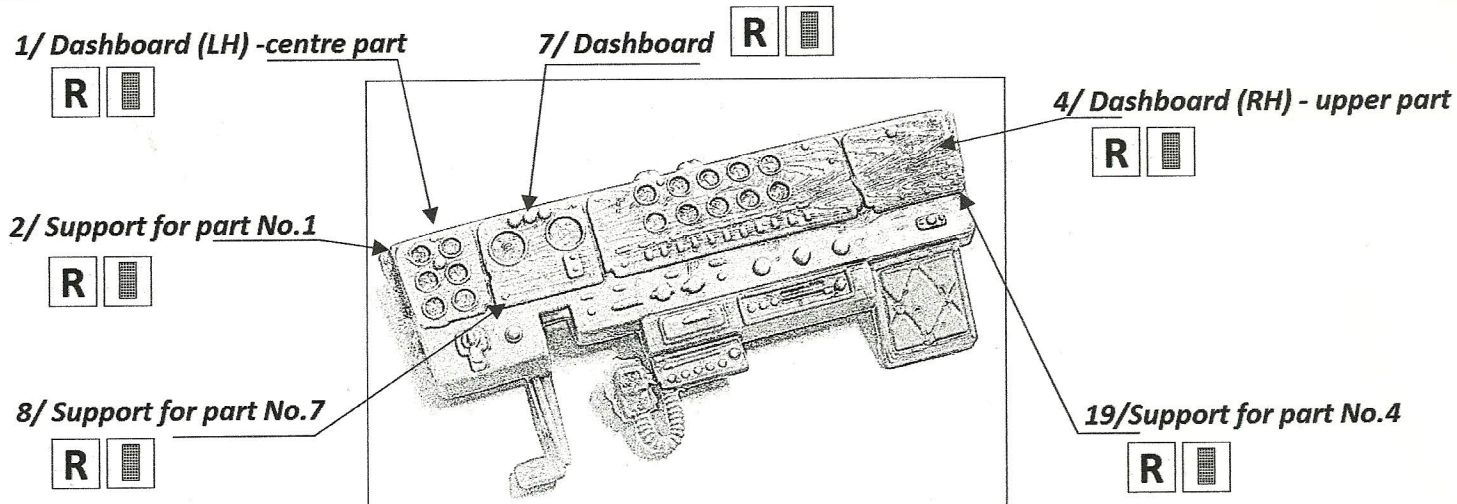
Modification of plastic parts may be required for proper use of some of the photoetched parts

CTM 24102 Kenworth W 900A - interior


- | | | |
|--|------------------------------|-----------------------------------|
| 1/ Dashboard (LH) -centre part | 8/ Support for part No.7 | 15/CB Microphone |
| 2/ Support for part No.1 | 9/ Support for part No.8 | 16/Clutch pedal |
| 3/ Dashboard (centre part) - upper section | 10/CB radio | 17/Speaker and light support (RH) |
| 4/ Dashboard (RH) - upper part | 11/Trailer Air Supply button | 18/Speaker and light support (LH) |
| 5/ Brake pedal | 12/Parking Brake button | 19/Support for part No.4 |
| 6/ Accelerator | 13/Tractor Park button | 20/Speaker |
| 7/ Dashboard | 14/Heating controls | 21/Lamp |

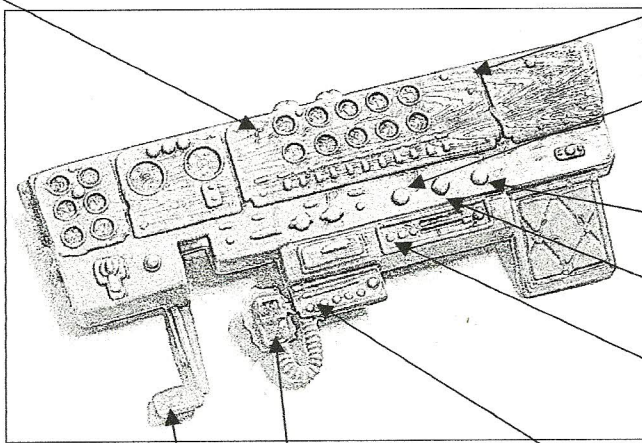
Attentione !!!

Clean the dashhboard etched parts prior to fitting to dashboard (kit part No. 82 from kit Kenworth W900A - 07497, 07509, 07523, 07538). We recommend test fitting and patient work. Work slowly and carefully.



3/ Dashboard (centre part) - upper section **R** 

9/ Support for part No. 3 **R** 



11/Trailer Air Supply button **R**

13/Tractor Park button **R**


12/Parking Brake button **R**

14/Heating controls **R** 

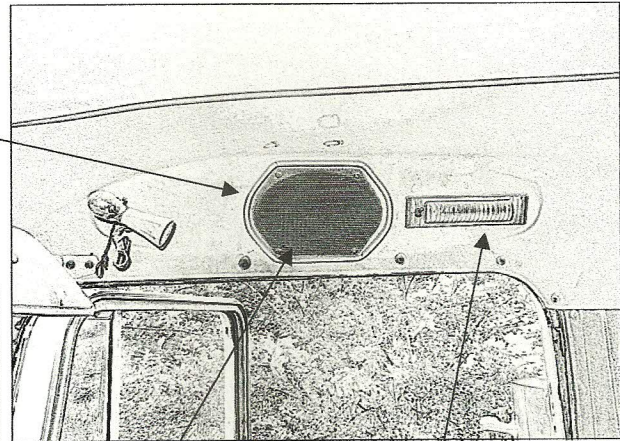
16/Clutch pedal **R** 

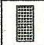
15/CB Microphone **R**  

10/CB radio **R** 

17/Speaker and light support (RH) 

18/Speaker and light support (LH)



20/Speaker **R**  **2x**

21/Lamp **R**  **2x**

6/ Accelerator **R**

5/ Brake pedal **R**

16/Clutch pedal **R** 

