

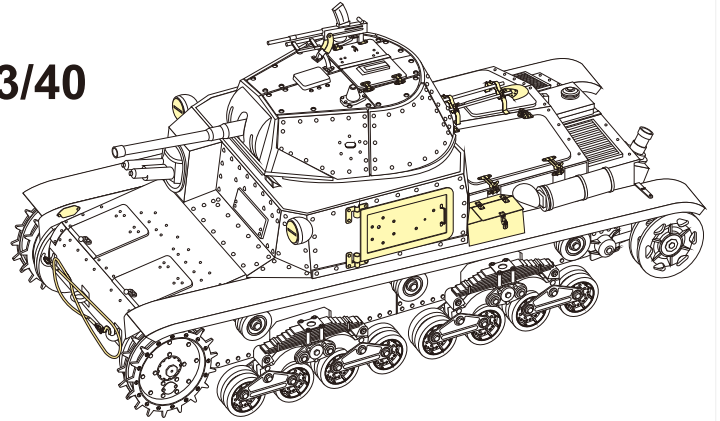
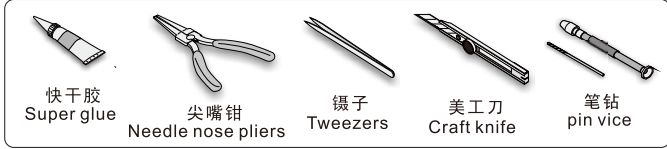
1/35 MILITARY MINIATURE VEHICLE UPGRADE SERIES PE35164

WWII Italian Medium tank M13/40

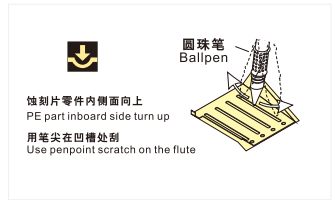
1/35 M13/40

[For TAMIYA 35296]

推荐使用工具 RECOMMENDED TOOLS



- 安装 install
- 折叠 bend
- A1** 改造件零件编号 PE/resin part number
- B12** 原零件编号 kit part number
- C22** 被替换的原零件编号 replaced kit part number
- x2** 制作若干组 multiple assembly
- 弧度卷曲 radial bending
- 选择安装 alternative
- 切除 remove
- 钻孔 drill
- 注意 caution
- 另一侧相同制作 repeat on opposite side
- 用尖端在凹槽处冲压 use penpoint to press on the dent
- 打磨 grind off
- 填补 fill
- 用铜管制作 make from brass tube
- 用胶棒制作 make from plastic rod



A **B** **C**

A **B** **C** **D** **D5**

A44 1.0x1.0mm

钢丝Φ0.3mm Steel wire Φ0.3mm **x4**

D3[D2]

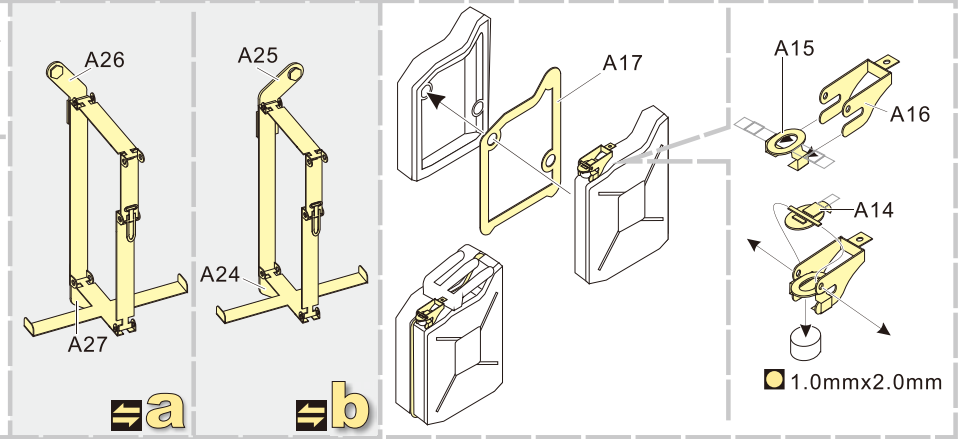
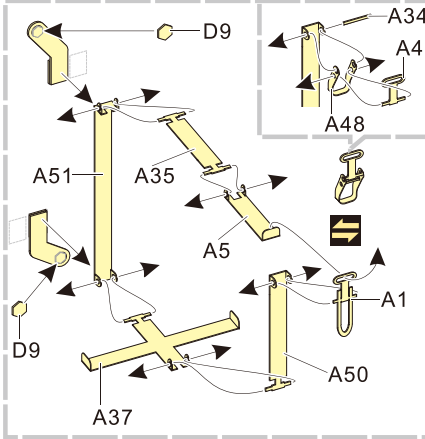
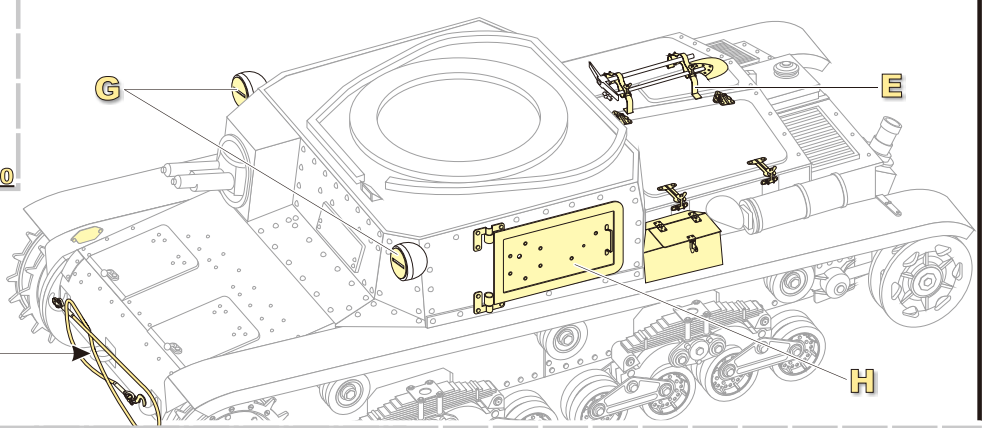
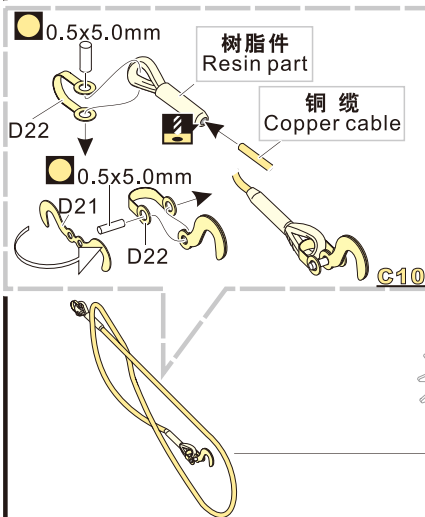
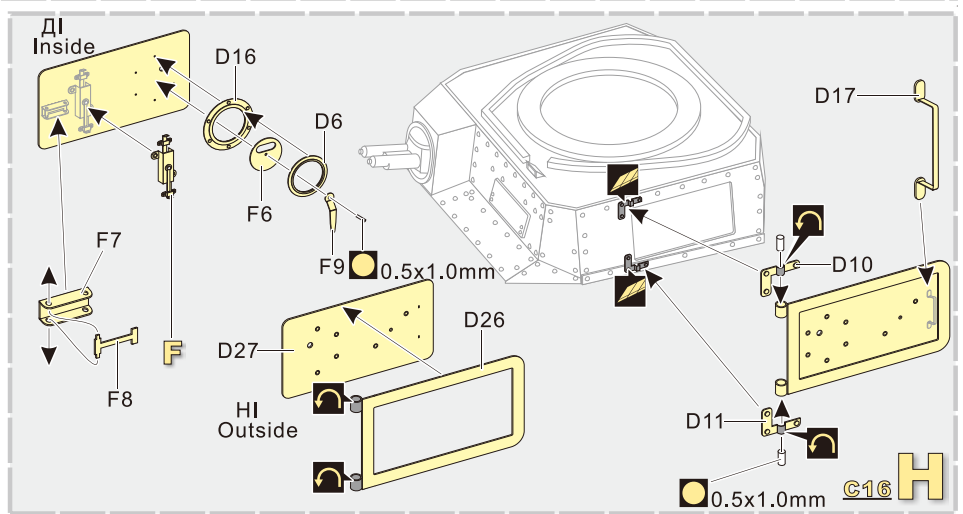
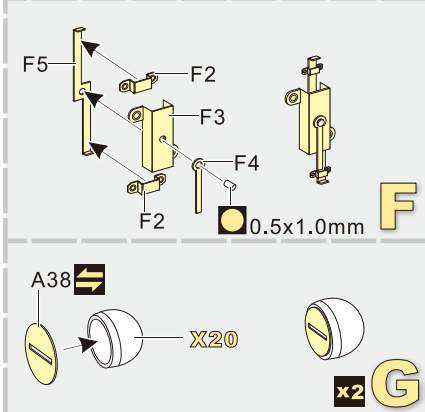
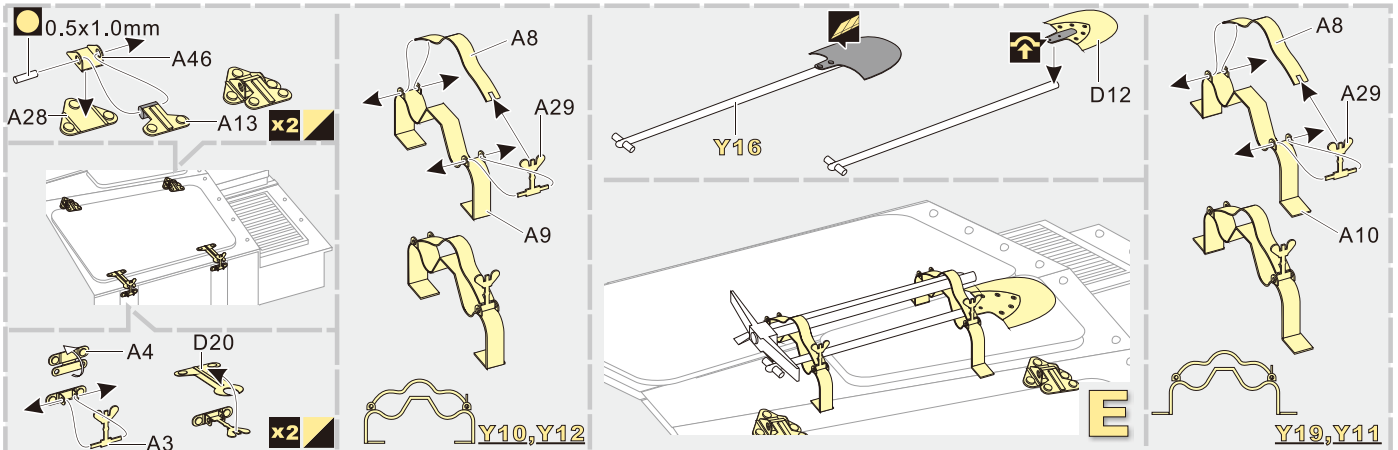
D18[D19]

D1

D4

a b

1/35 MILITARY MINIATURE VEHICLE UPGRADE SERIES PE35164



1/35 MILITARY MINIATURE VEHICLE UPGRADE SERIES PE35164

