



QD48173

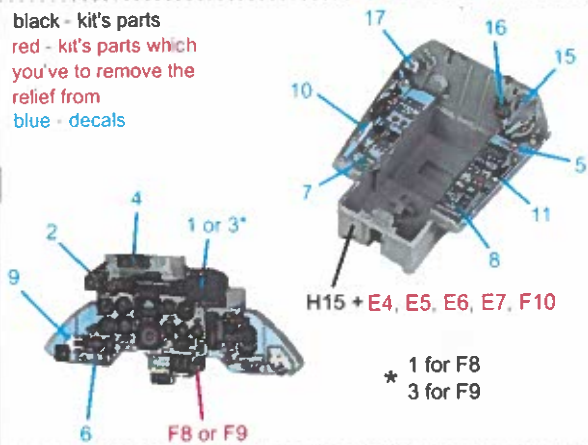
★ 3D PRINTED & COLOURED

1/48 Su-33 Flanker-D INTERIOR 3D DECAL

(for Minibase kit)



black - kit's parts
red - kit's parts which
you've to remove the
relief from
blue - decals



detail 14 (on-thigh tablet) is optional
* and can be used only in combination
with F9 dashboard

