

1:72 SCALE

ITEM NO.:07285

PLA TYPE 59 Mid Tank

中国 59式 中型坦克



READ BEFORE ASSEMBLY:

- This kit is not recommended for inexperienced modelers or for children under 14 years of age
- Study and understand these instructions thoroughly before beginning assembly
- When needed, remove photo-etch parts carefully using a modeling knife or photo etch sprue cutter, being careful not to damage or lose small parts.
- Take extra care in handling photo etch parts in order to avoid injury
- Apply instant cement sparingly to photo etch parts where instructed
- Tools recommended(not included in kit):Plastic and instant cements,sprue cutters,long nose pliers,,modeling knife, small files, tweezers, pin vise & scissors. Soft cloth and sandpaper will also assist in construction
- Glue and paint are not included in the kit. Use plastic cement and hobby paints only. Color guide for purchasing paint is included in the kit.
- Keep out of reach of children. They must not be allowed to ingest small parts or handle plastic bags in any way.

装配之前仔细阅读

- 小心用模型锉刀锉平所有零件表面的注射浇口。
- 小心用刀片切下蚀刻片零件，不要遗失小零件。
- 用强力快干胶水粘合蚀刻片零件和金属轴。过量的快干胶水使用可能导致可动零件会粘住，小心涂胶。
- 取蚀刻片时应特别注意安全，防止利边划伤手指。
- 某些零件表面需贴水上贴纸，请选择在装配的同时进行。
- 推荐模型工具(自备)：胶水，水口剪刀，长咀钳、刀片、锉刀，镊子，钳、钻、剪刀，瞬间快干胶。
- 软布同砂纸同时也应该是必备工具。
- 请使用塑料胶水和油漆，模型内不含。
- 谨防小孩吸吮塑料零件，或者将塑料袋套在头上，制作时应将器材远离小孩接触。
- 本产品不适合14岁以下没有经验的模型爱好者。



cyanoacrylate glue
使用强力胶



weight
配重



make hole
钻孔



cut / remove
切除



bend
弯曲



file / sand
锉平



option
选择



no cement
不涂胶水



decal
贴纸

水贴纸的使用:

1. 从水贴上剪下印花;
2. 将印花放入温水中浸10秒, 然后放在干净布上.
3. 拿着印花纸板将印花移到模型上;
4. 手指蘸水将印花移到适当的位置;
5. 用软布轻压印花直至水干, 汽泡消失.

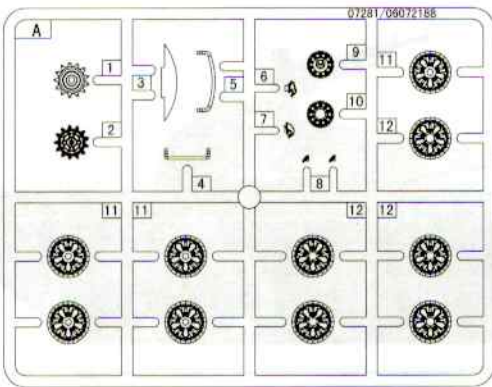
DECAL APPLICATION

1. Cut off decal from sheet.
2. Dip the decal in tepid water 40°C for about 10 sec. and place on a clean cloth.
3. Hold the backing sheet edge and slide decal onto the model.
4. Move decal into position by wetting decal with finger.
5. Press decal gently down with a soft cloth until excess water and air bubbles are gone.
6. Allow decal to dry completely before handling model.

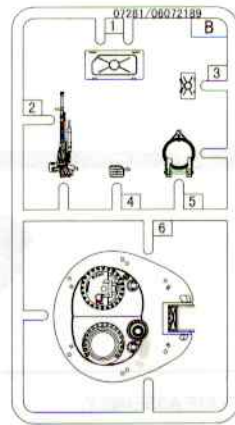
部品图

Parts

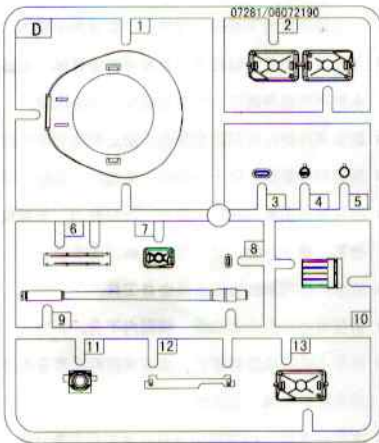
Ax2



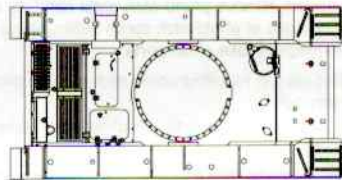
B



D



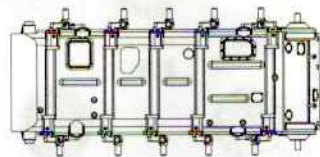
<<车面>>
Upper hull



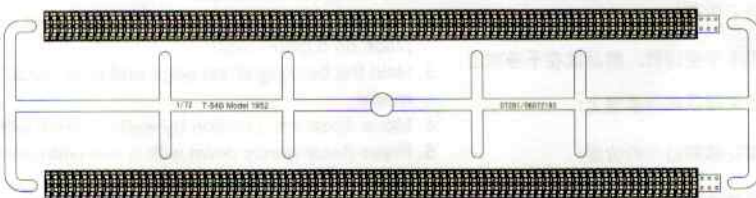
<<水貼>>
Decal



<<车底>>
Lower hull

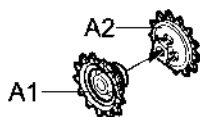


<<履帶>>
Track



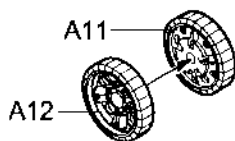
1 车轮组装 Wheels assembly

<<主动轮>>
Sprocket wheel



制作2组
Make two

<<负重轮>>
Road wheel



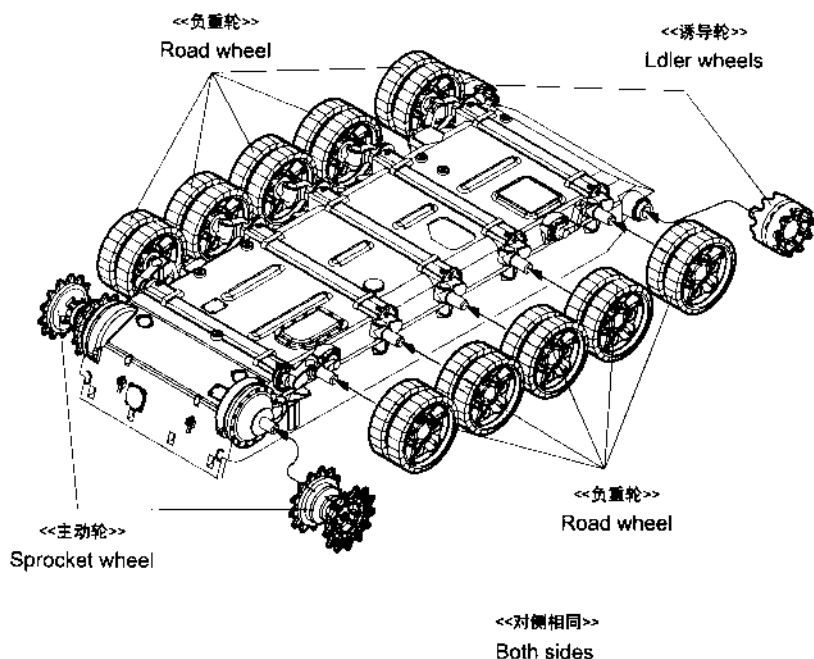
制作10组
Make ten

<<诱导轮>>
Idler wheels

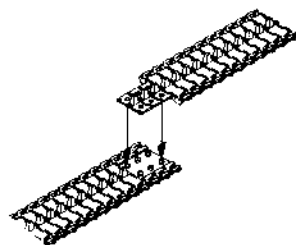


制作2组
Make two

2 车底组装 Lower hull assembly

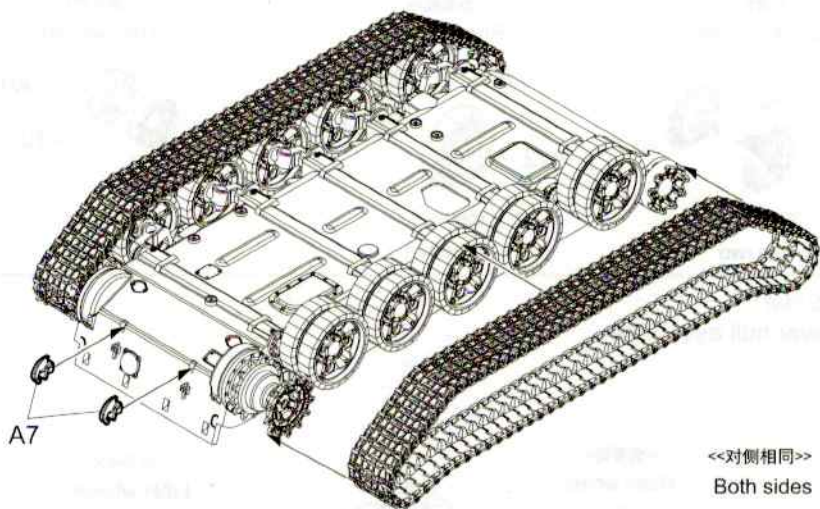


3 履带联接 Track construction

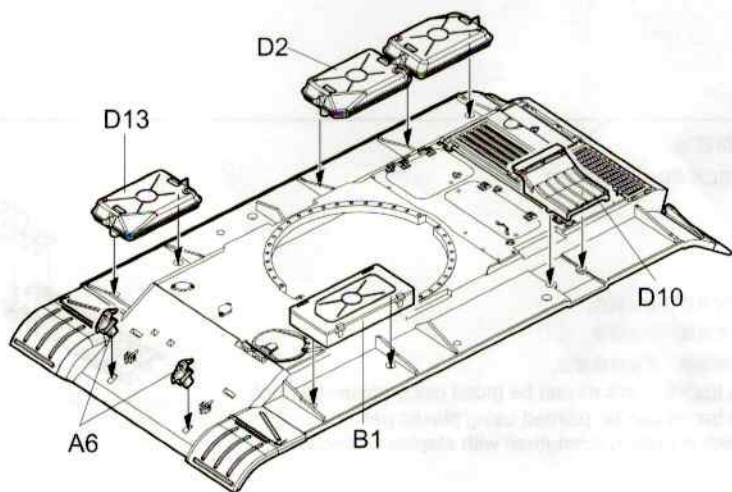
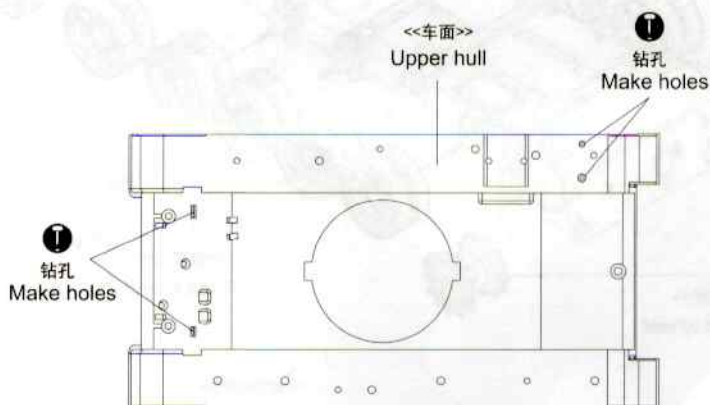


- * 履带可用塑料胶水粘合。
- * 履带可用模型油漆喷涂。
- * 若履带断裂，用细丝线固定。
- * The tracks in this kit can be glued using plastic cement.
- * The tracks can be painted using plastic paints.
- * If track is broken strengthen with staples or thread.

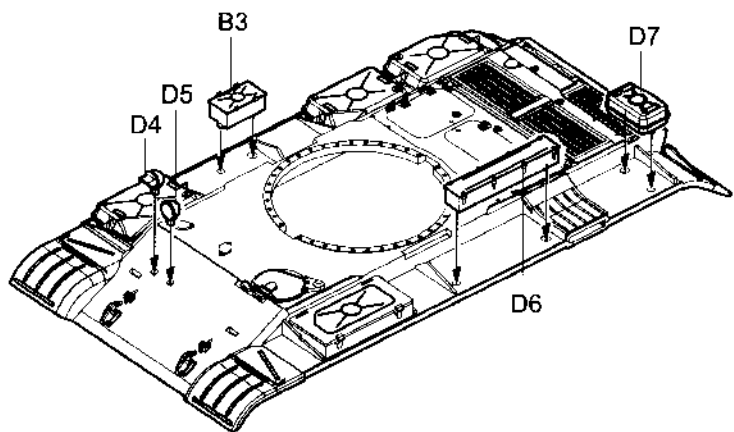
4 履带安装
Attaching tracks



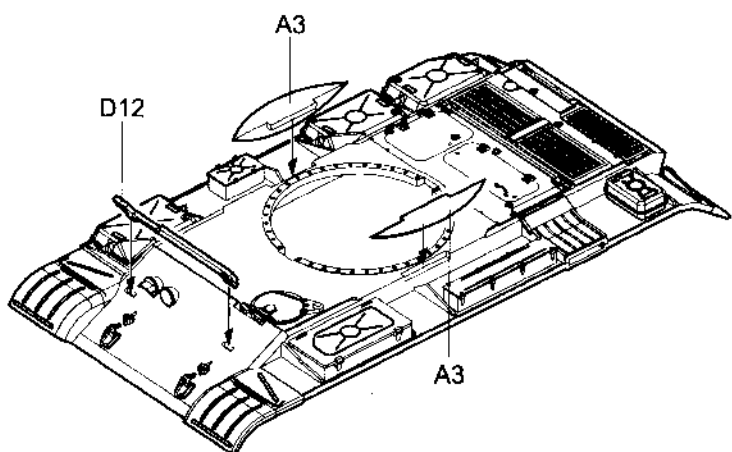
5 车面组装
Upper assembly



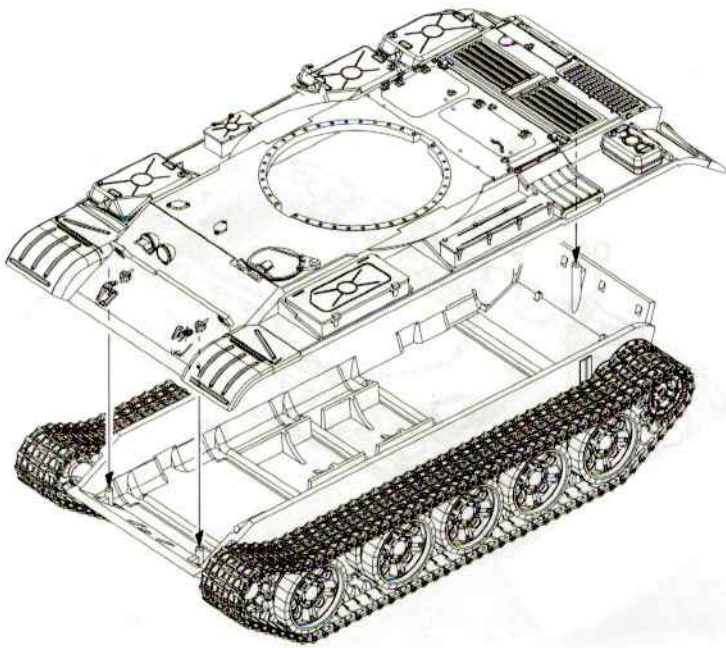
6 车面组装
Upper assembly



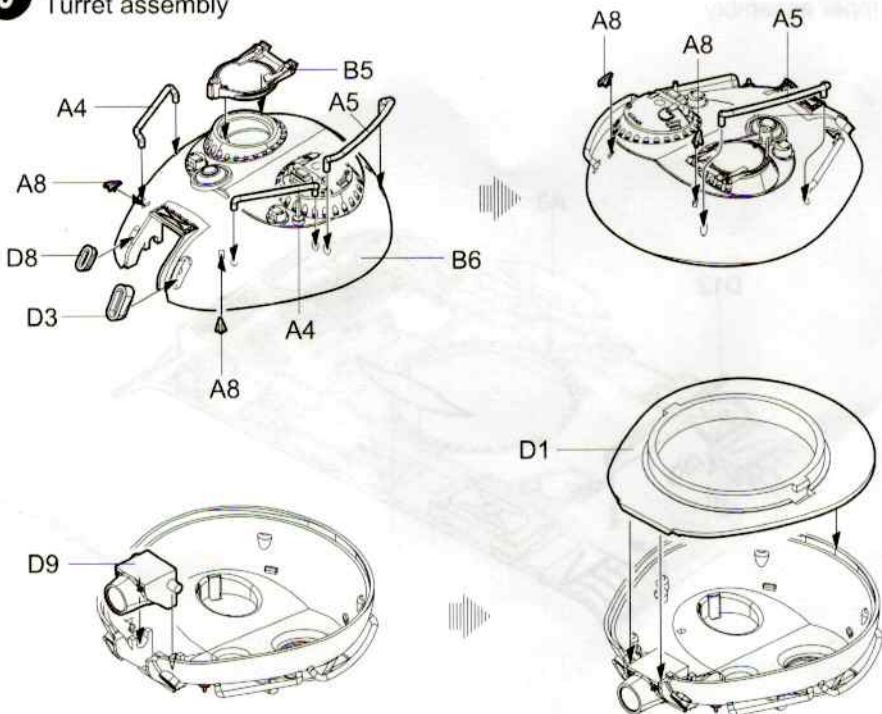
7 车面组装
Upper assembly



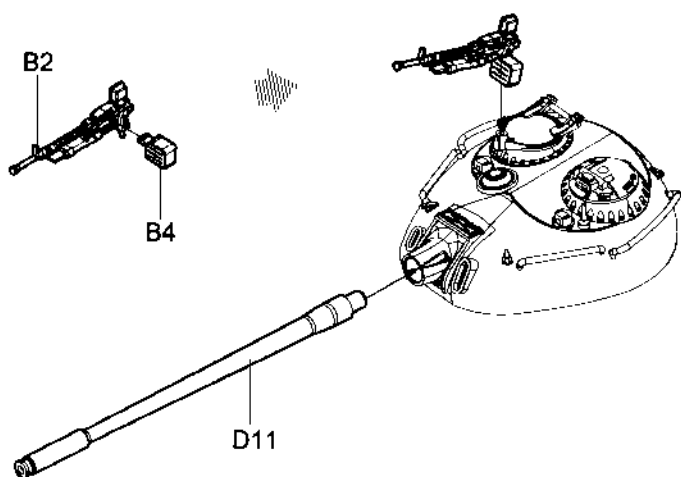
8 车面安装
Attaching upper



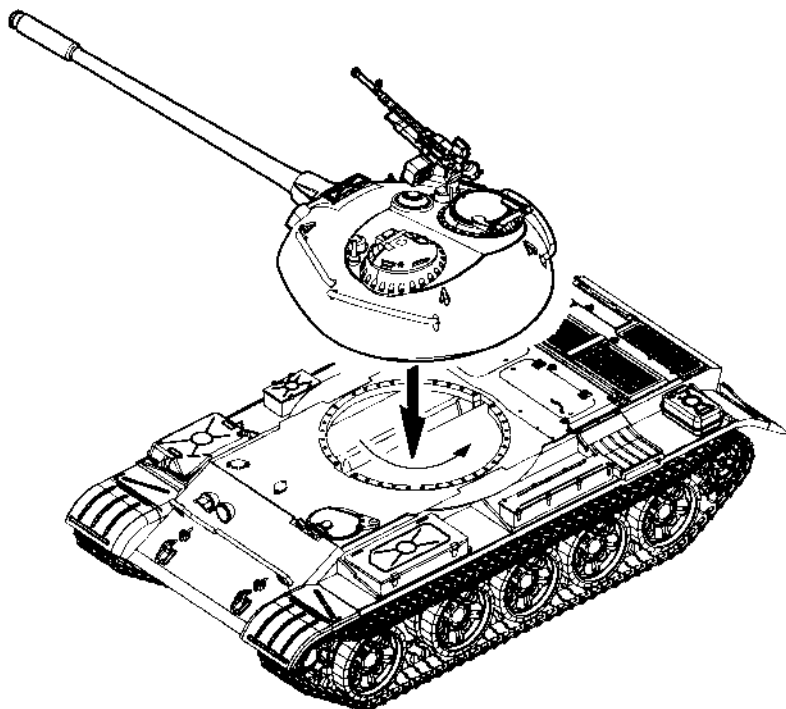
9 炮塔组装
Turret assembly



10 炮塔组装
Turret assembly



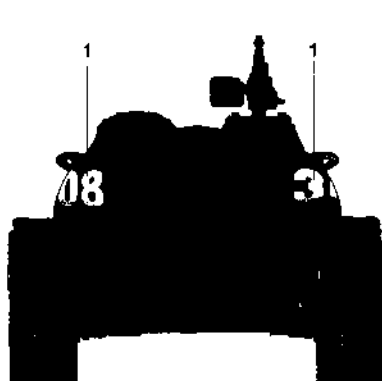
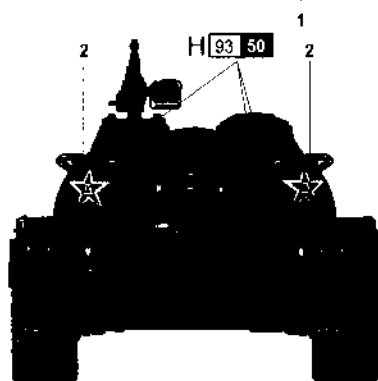
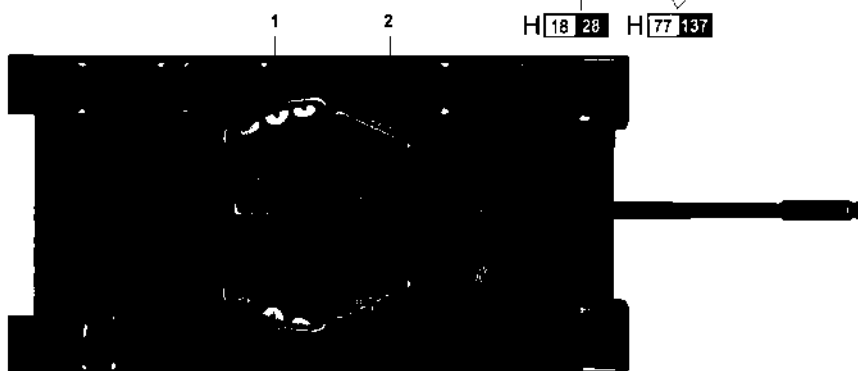
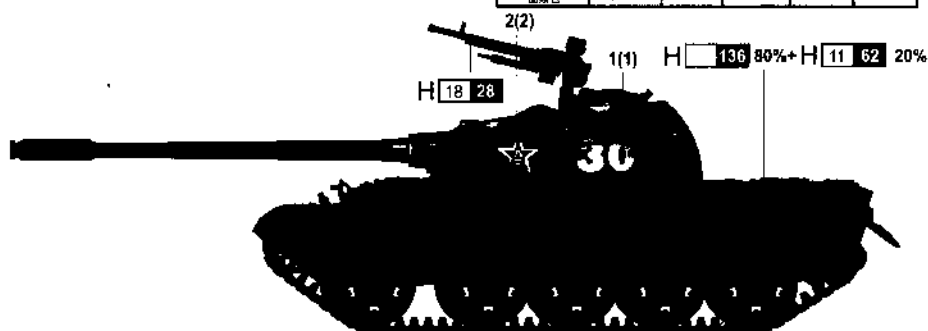
11 炮塔组装
Attaching turret



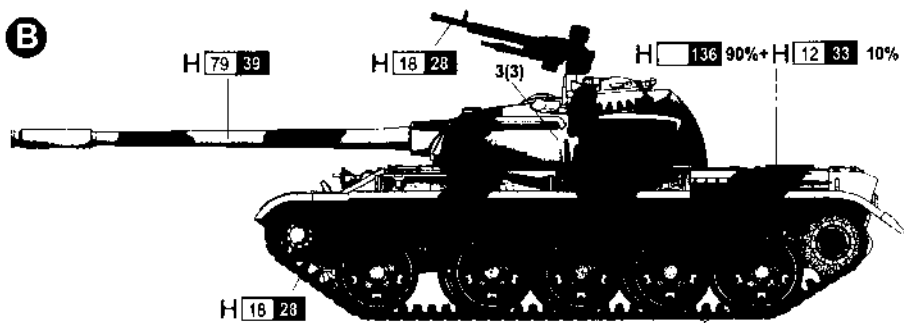
涂装同标贴指示 Painting & Marking guide

Color	Mr.Hobby	Vallejo	Model Master	Tamiya	Humbrol
Flat White 扁平白	H 11 02	951	1766	XF2	34
Flat Black 扁平黑	H 12 33	950	1749	XF1	33
Steel/Mara-streak 钢 迹	H 18 28	854	1402	-	-
Dark Yellow 暗黄色	H 79 39	824	-	XF59	93
Clear Blue 透明蓝	H 53 50	838	-	X23	-
Russian Green(2) 苏军绿	H 136	823	-	-	-
The Black 漆黑色	H 77 137	-	-	-	-

A



B



HI X AQUEOUS HOBBY COLOR

☒ Mr. COLOR

H 77 137