



Russian 9K79 Tochka (SS-21 Scarab) IRBM

ロシア 9K79 トーチカ (SS-21スカラベ) 中距離弾道ミサイル

俄罗斯SS-21“圣甲虫”弹道导弹

PLEASE READ BEFORE OPERATION!

- * Tools recommended as below: (Not included)
Adhesives; Paints; Side Cutters; Sharp Edged Pliers; Modeling Knife; Modeling File; Nippers; Drill; Scissors; Sand Paper; Soft Cloth; Cyanoacrylate Glue.
- * Make sure to read this instruction listed below before assembling.
- * The kit contains the small parts, they can be dangerous if swallowed by mistake, so keep them away from reach of children.
- * Cut the all parts off carefully and remove the waste parts into the garbage can.
- * More caution and care should be needed for cutting and handling the photo etched parts.
- * Make attention that some parts should be attached the decal when assembled.
- * During assembling, please tear up and throw away the plastic bags, or may cause the dangerous if wearing over head by children's mistake.
- * When using the adhesives and paints, please do not use them in the closed room or near the fire, also must be very careful to protect your eyes, face and clothes.
- * Adult supervised when assembled by children under 14 years old.

装配前请仔细阅读:

- * 推荐使用的模型工具(请自备):
专用模型胶水, 专用模型油漆, 水口剪刀, 长咀钳, 刀片, 锉刀, 镊子钳, 钻, 剪刀, 软布, 砂纸, 瞬间快干胶等。
- * 用水口剪刀或刀片小心切下所有塑胶零件和蚀刻片零件, 不要遗失小零件。
- * 切取蚀刻片时应特别注意防止利边划伤手指。
- * 用模型锉刀小心锉平所有零件表面的注射浇口。
- * 用适量的强力快干胶水粘合蚀刻片零件和金属轴, 切忌过量, 否则可能导致可动零件被粘住。
- * 注意某些零件表面需在装配时同步贴水上贴纸。
- * 制作时应远离幼儿并将包装袋及时收妥, 谨防小孩玩耍而引起意外。



强力胶

Cyanoacrylate glue



配重

Weight



钻孔

Make hole



切除

Cut/Remove



选择

Option



不涂胶水

No cement



贴纸

Decal



弯曲

Bend



填补

Repair



先装

Install it first

The method to apply the decals

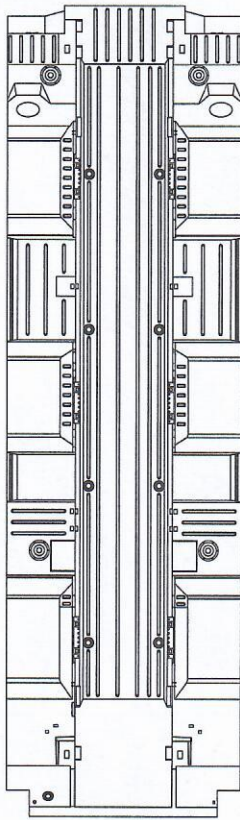
1. Cut off the decal from the decal paper and put it into the warm water 40 C for 10 seconds.
2. Take the decal from the water and put it on a piece of clean cloth.
3. Remove the decal slowly from the paper to the targeted location by a wet finger.
4. Use a piece of dry and soft cloth to press it gently on the decal until it getting dry and no bubble existing.

水贴纸的使用方法:

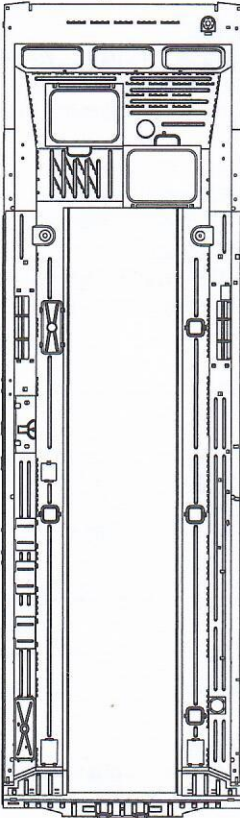
- 一. 把相关的印花从水贴纸上剪下, 放入40℃左右的温水中浸10秒。
- 二. 然后将印花放在干净的布上。
- 三. 拿上印花纸板, 手指蘸水将印花移到适当的位置。
- 四. 用软干布轻压印花直至水干, 气泡消失。

部品图
Parts

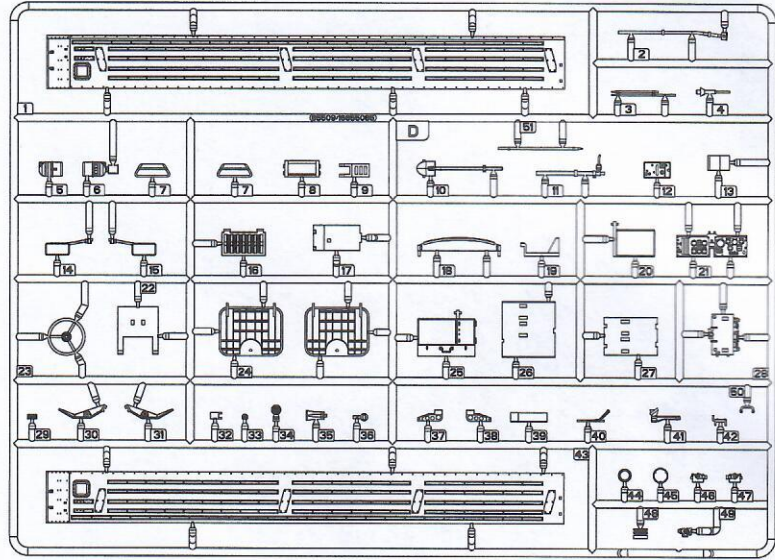
《车底》
Lower hull



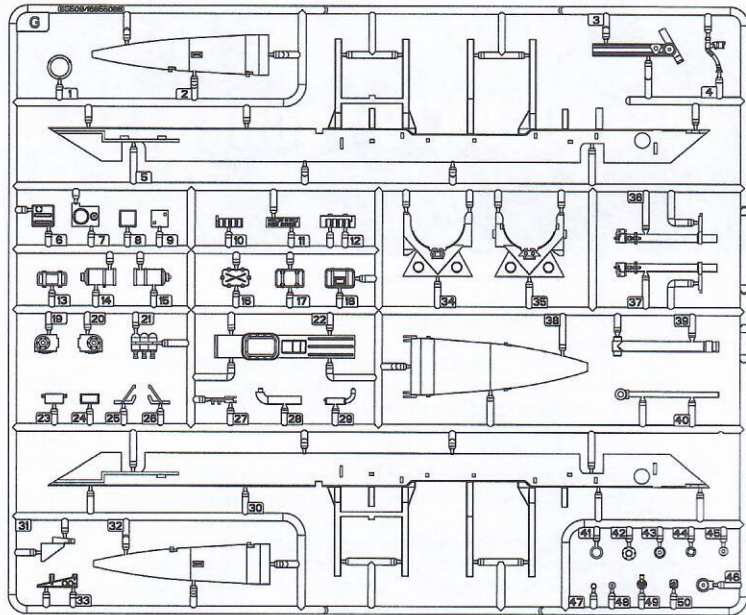
《车面》
Upper hull



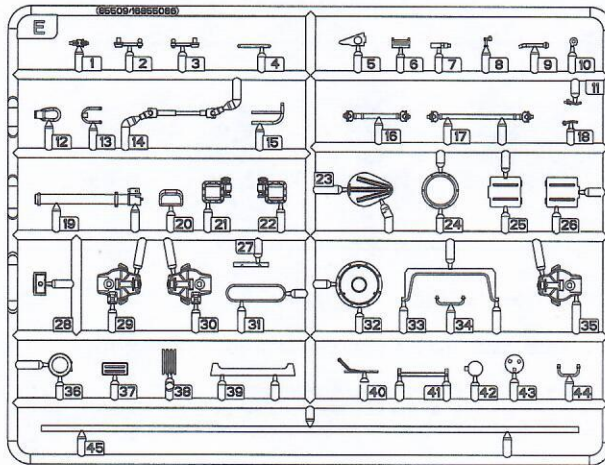
D



G

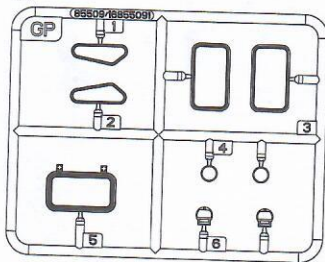


Ex2

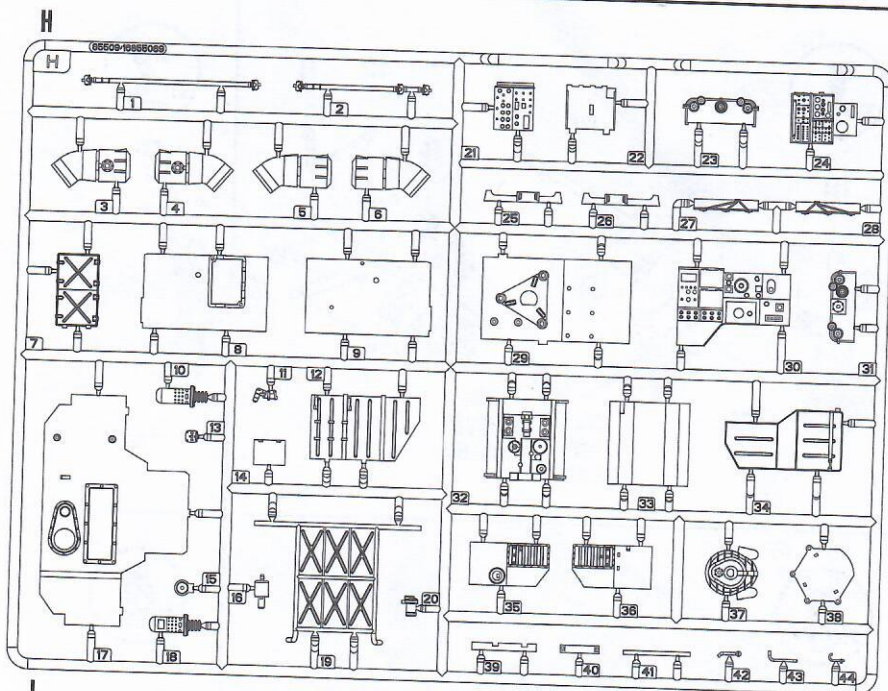
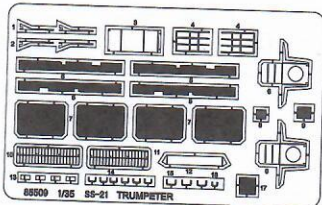


部品图 Parts

GP



PE



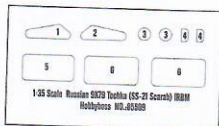
《轮胎》x6
Tyre



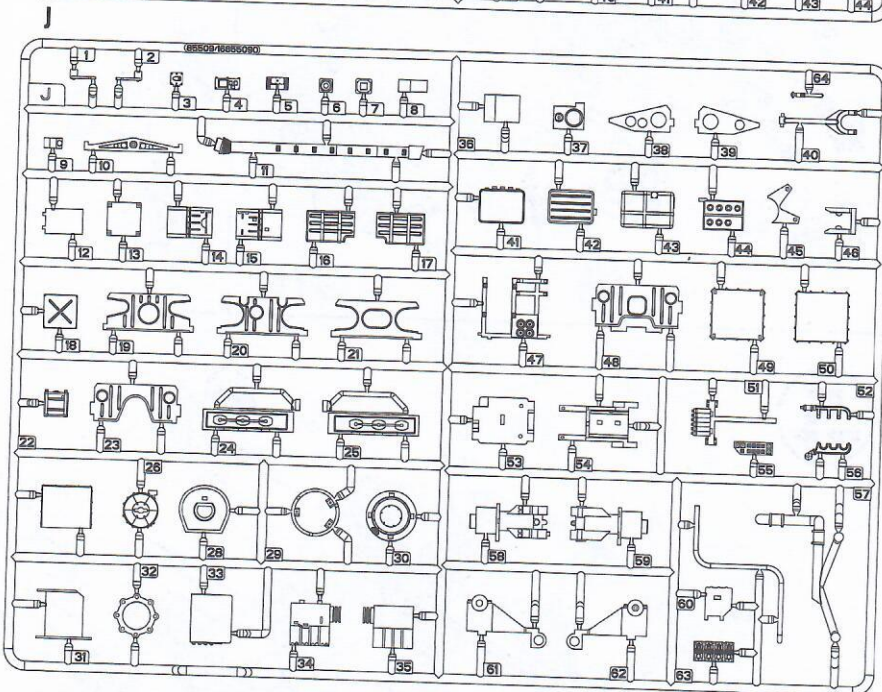
《铜缆》
Brass wire



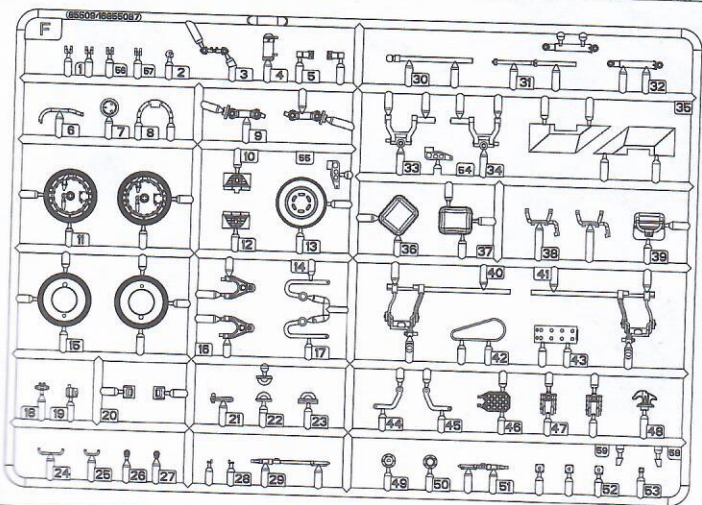
《遮盖纸》
Die-cut mask



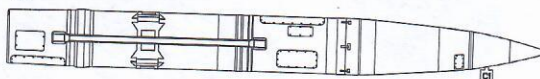
C3



Fx4



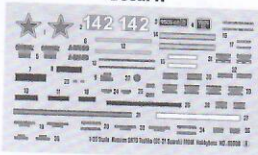
C1



C2



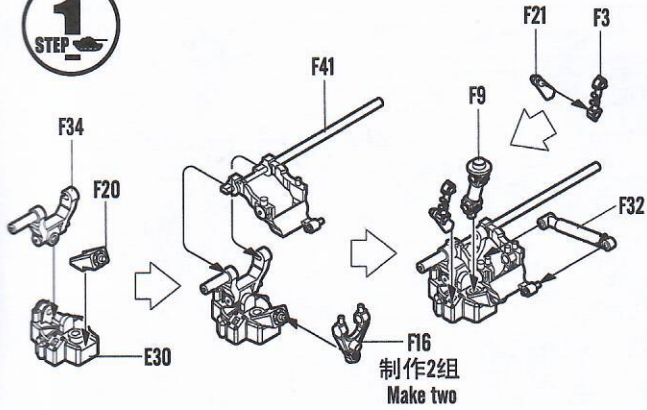
《水贴》A
Decal A



《水贴》B
Decal B

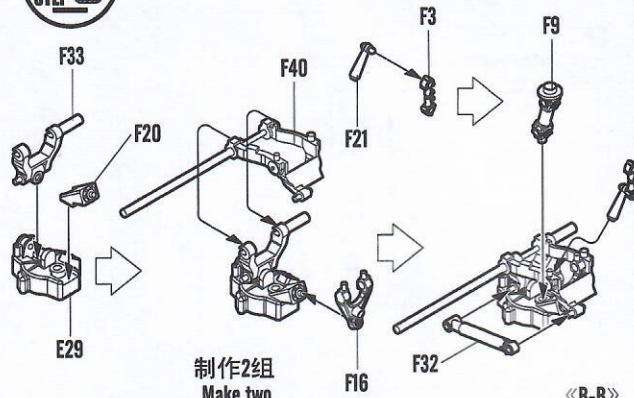


1
STEP



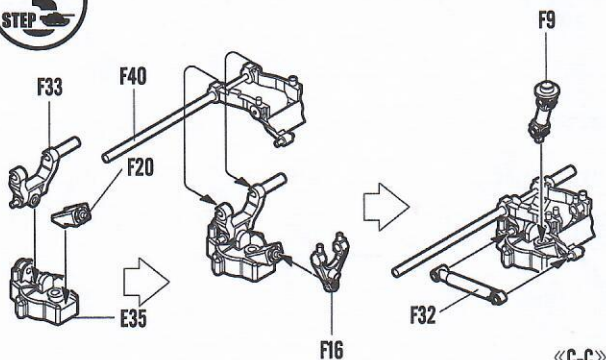
《A-A》

2
STEP



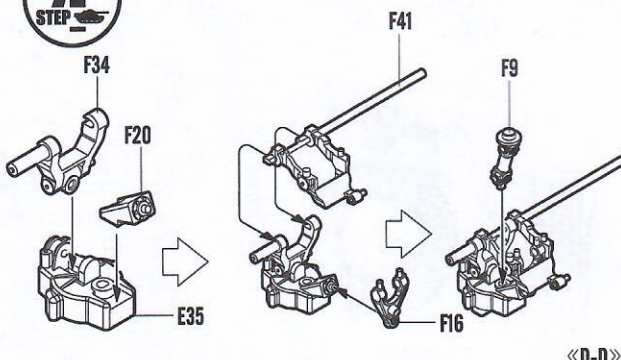
《B-B》

3
STEP



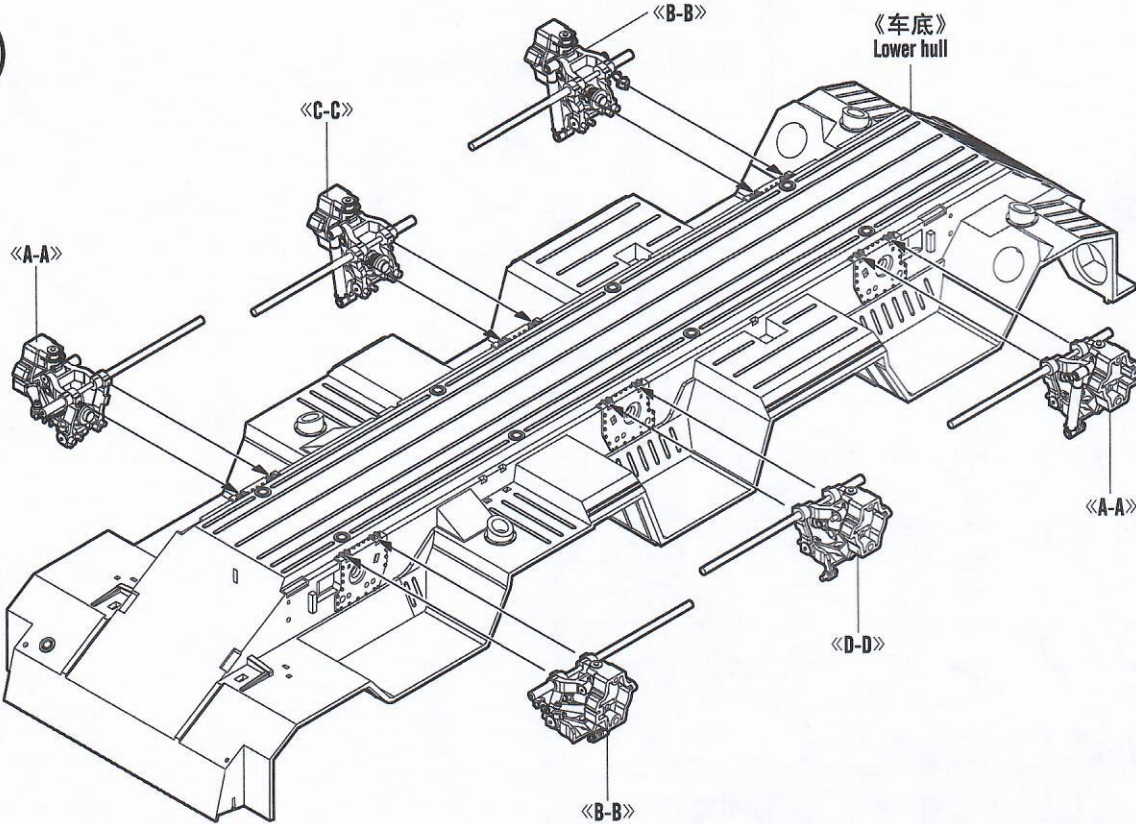
《C-C》

4
STEP

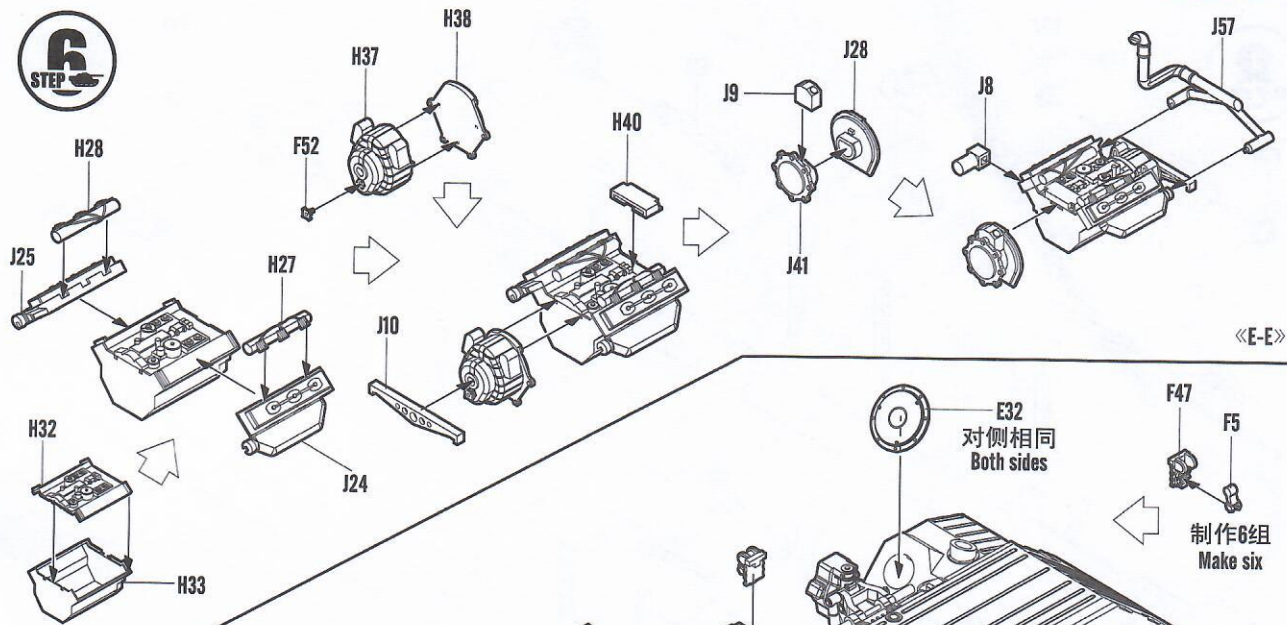


《D-D》

5
STEP

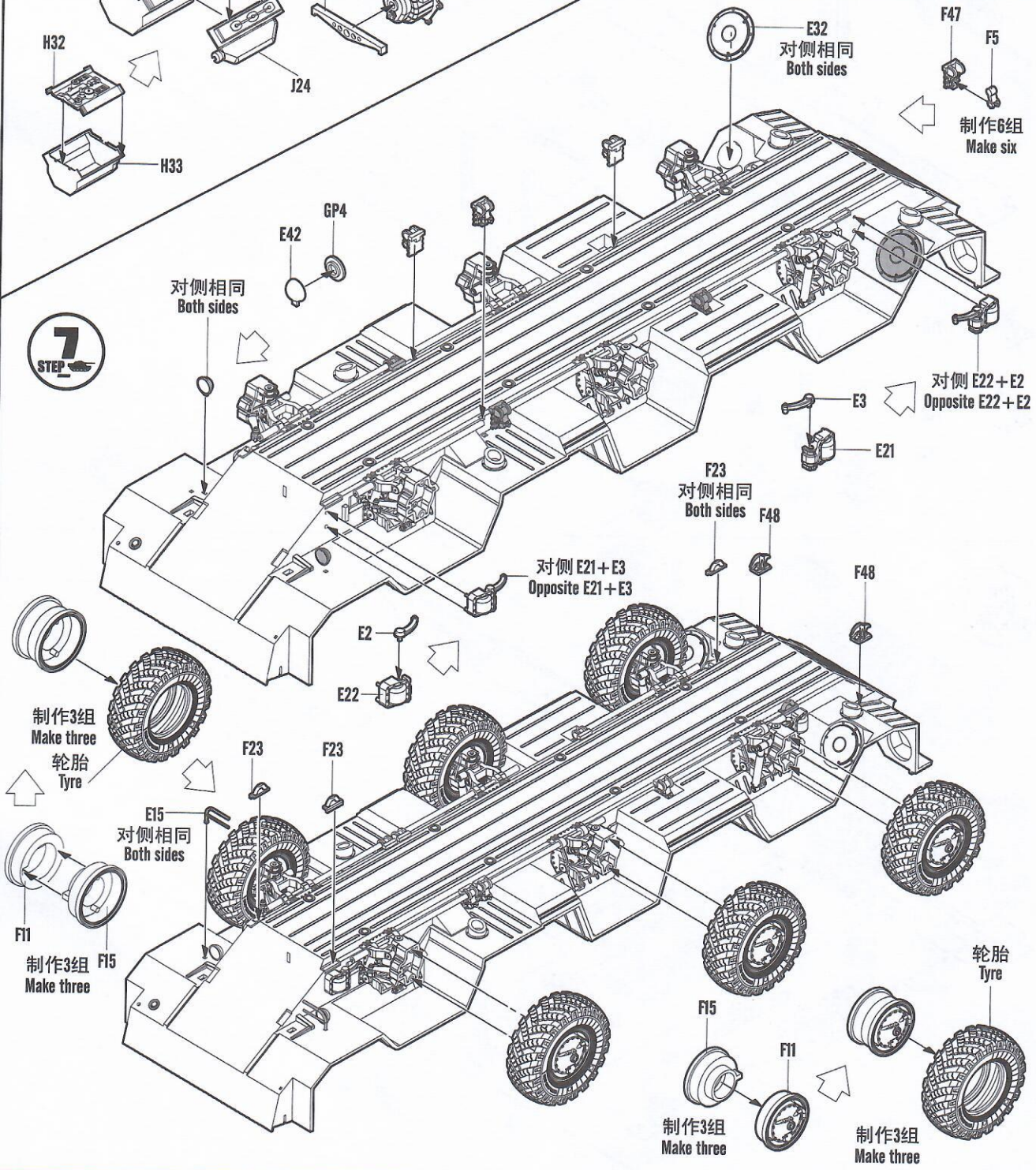


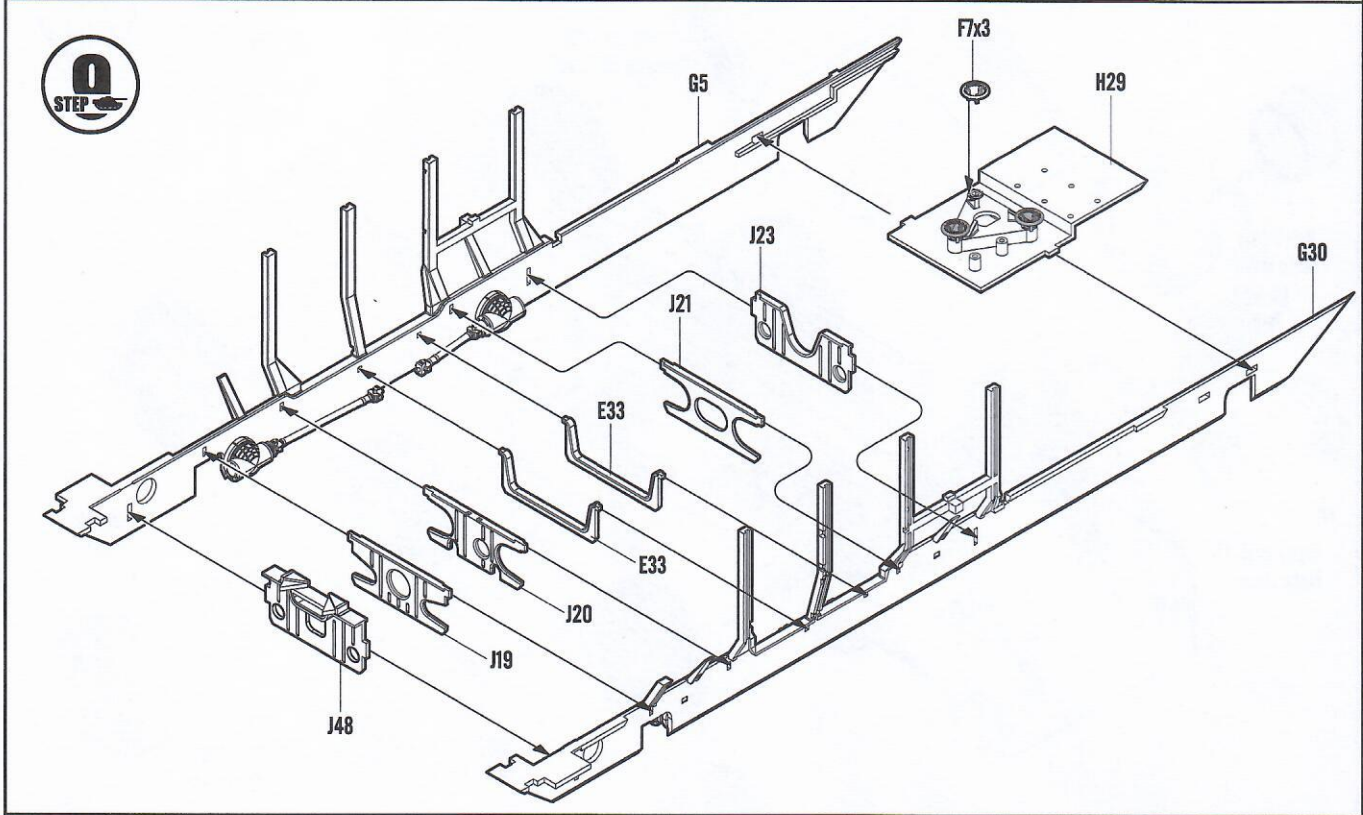
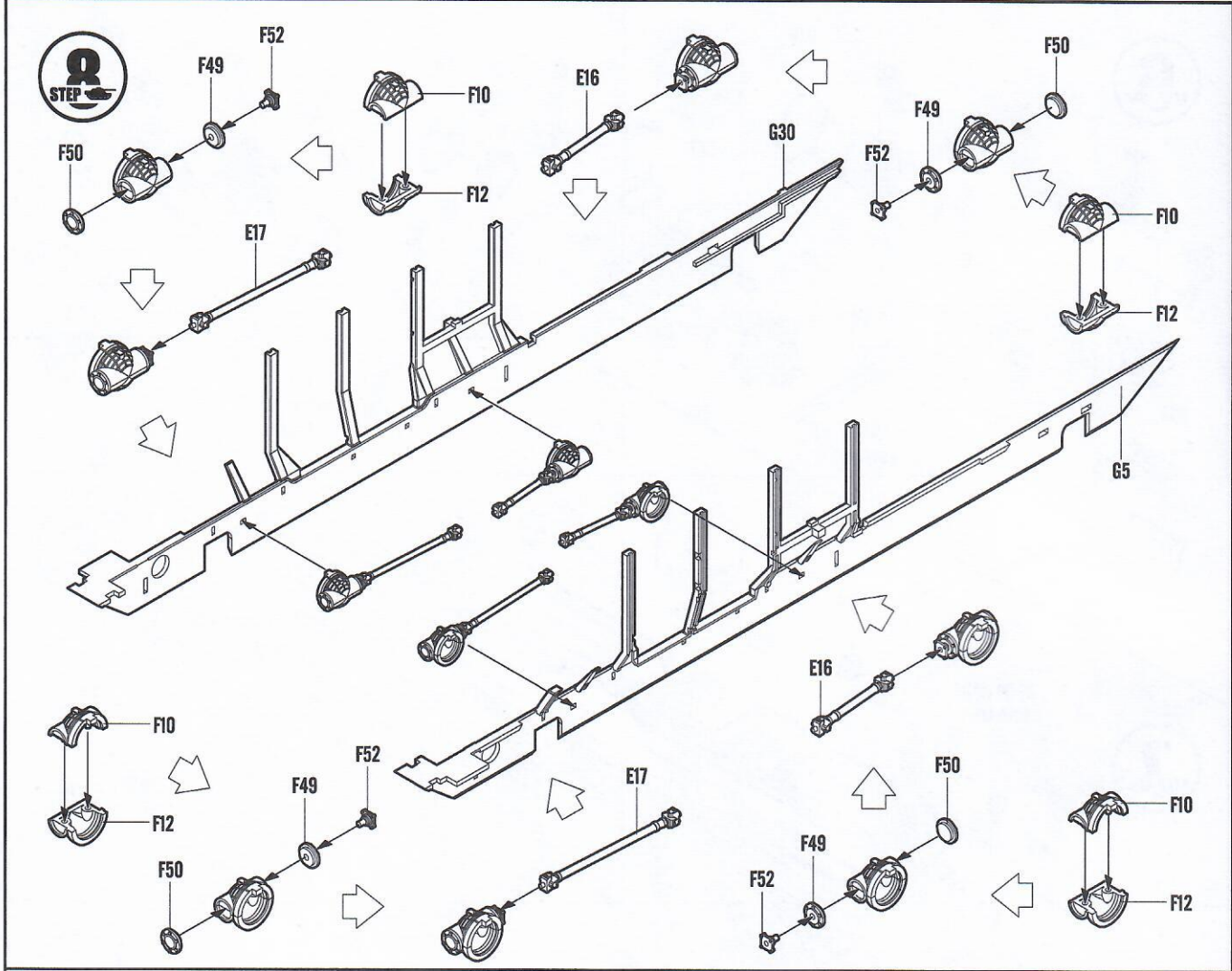
6
STEP



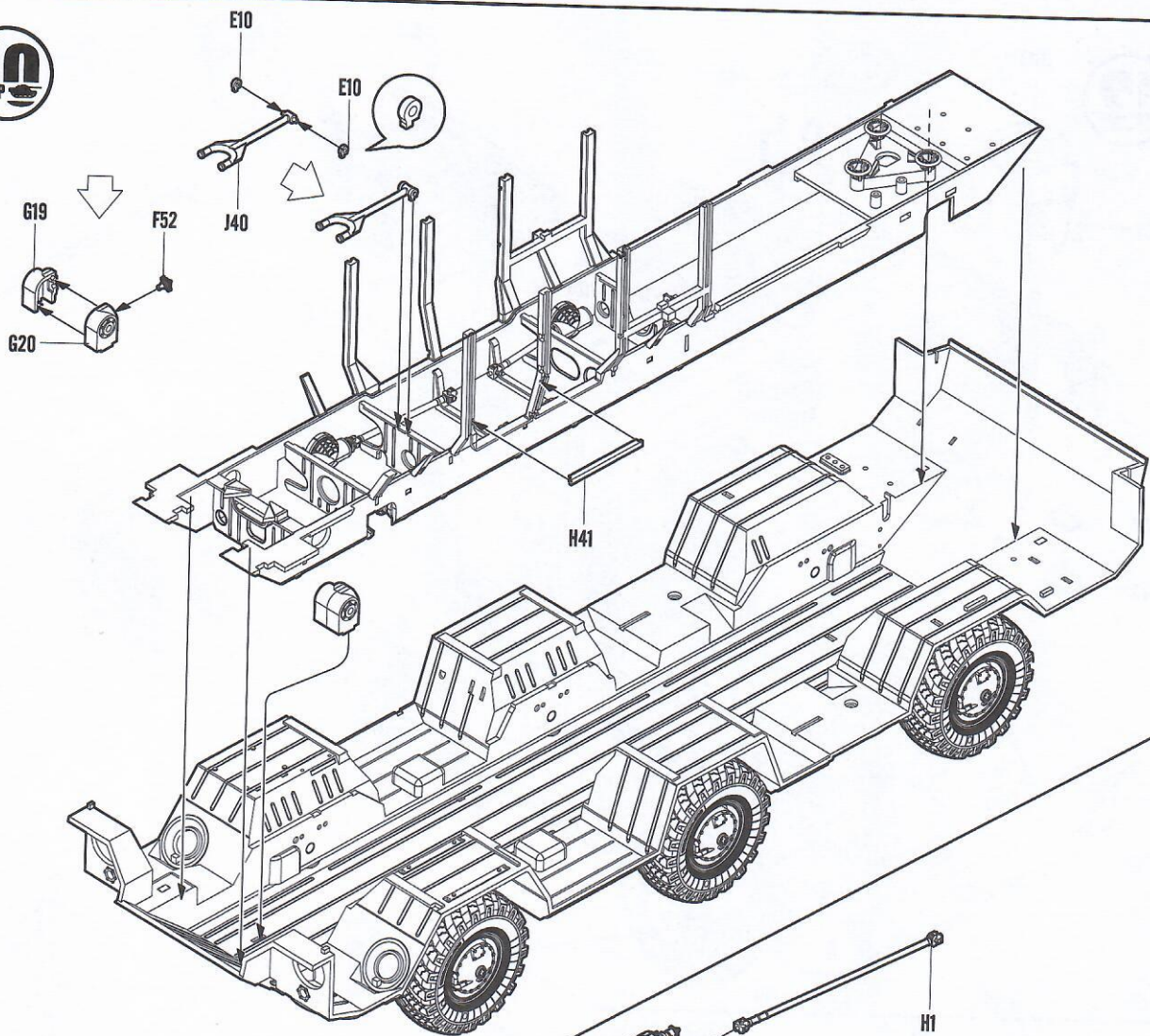
«E-E»

7
STEP

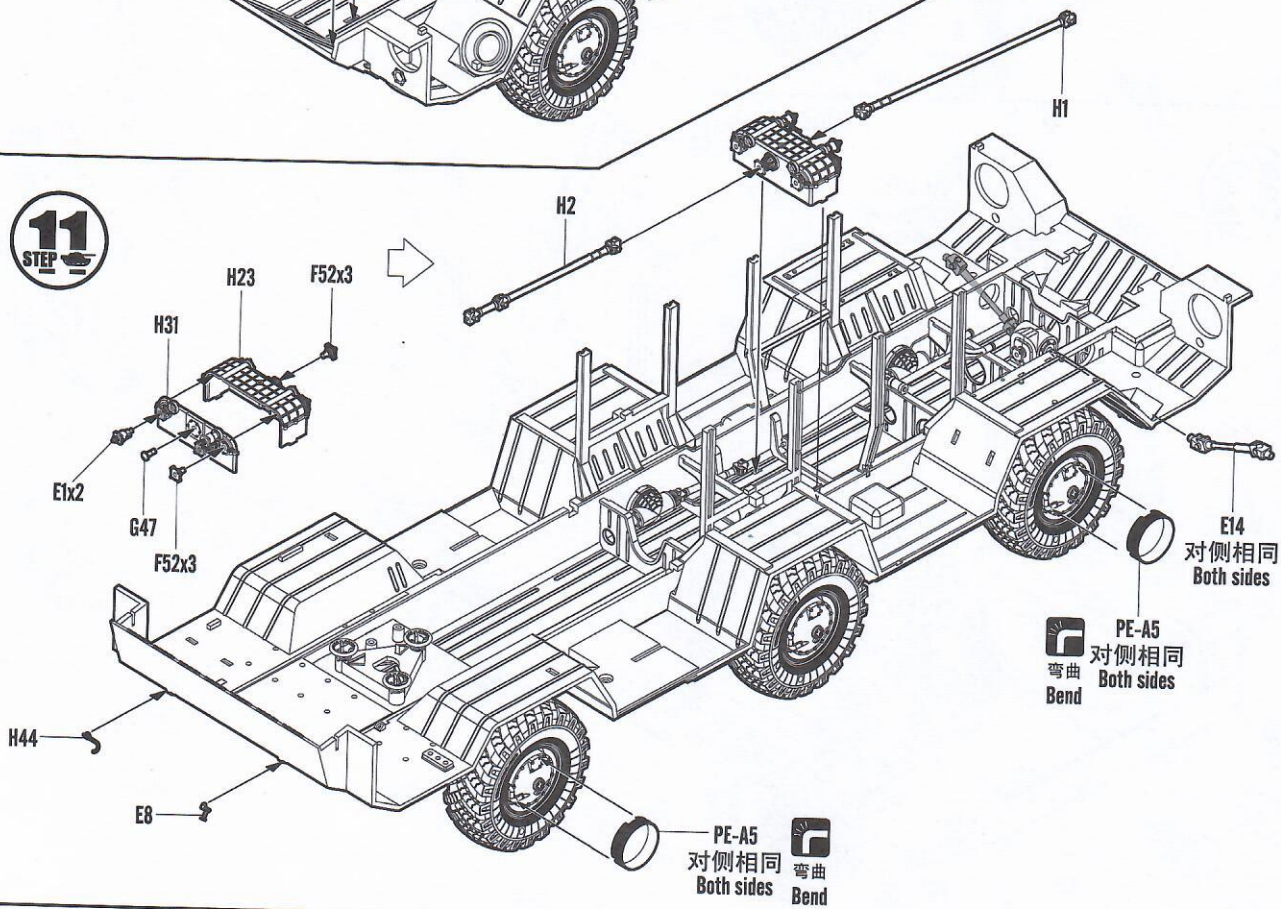




10
STEP

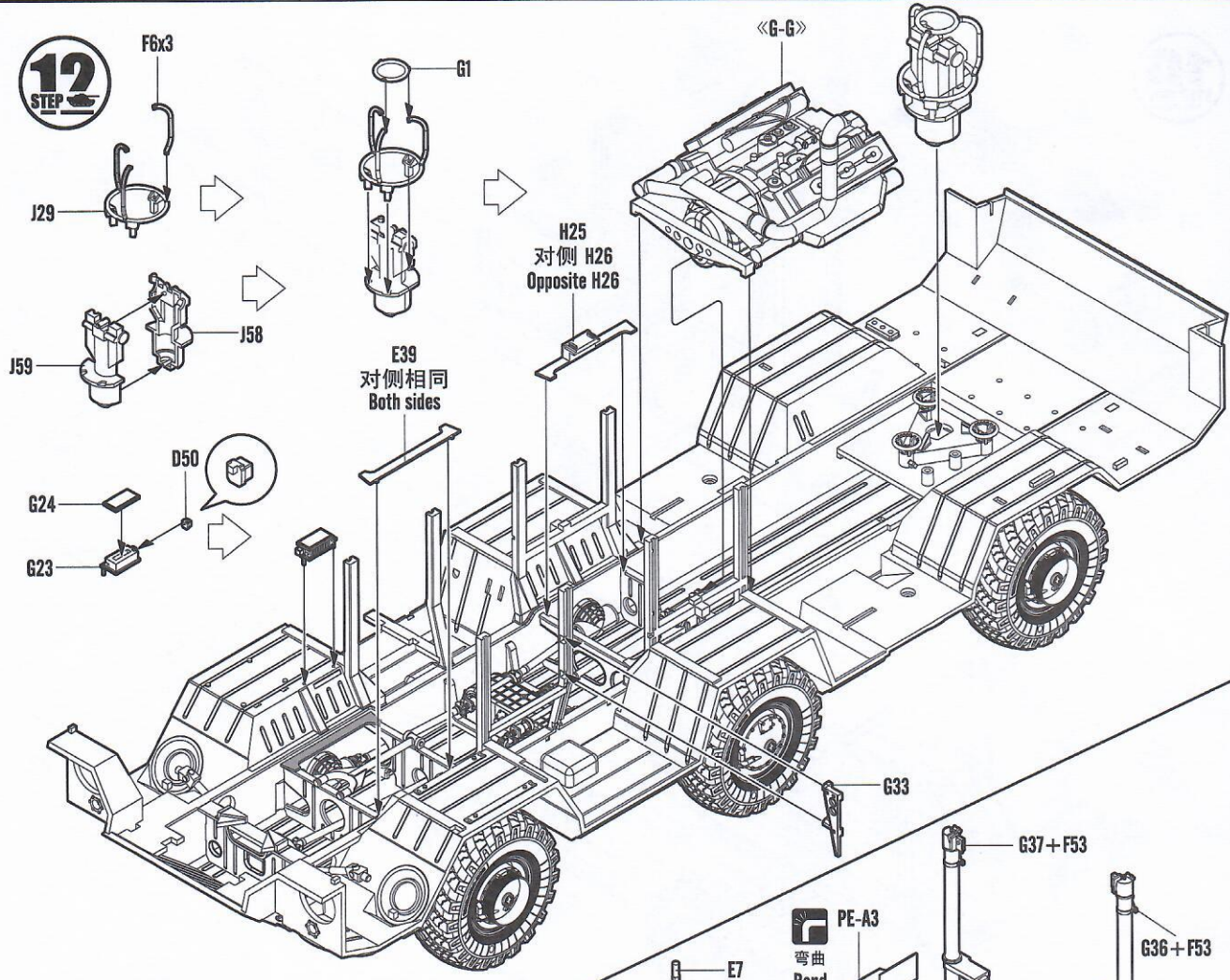


11
STEP

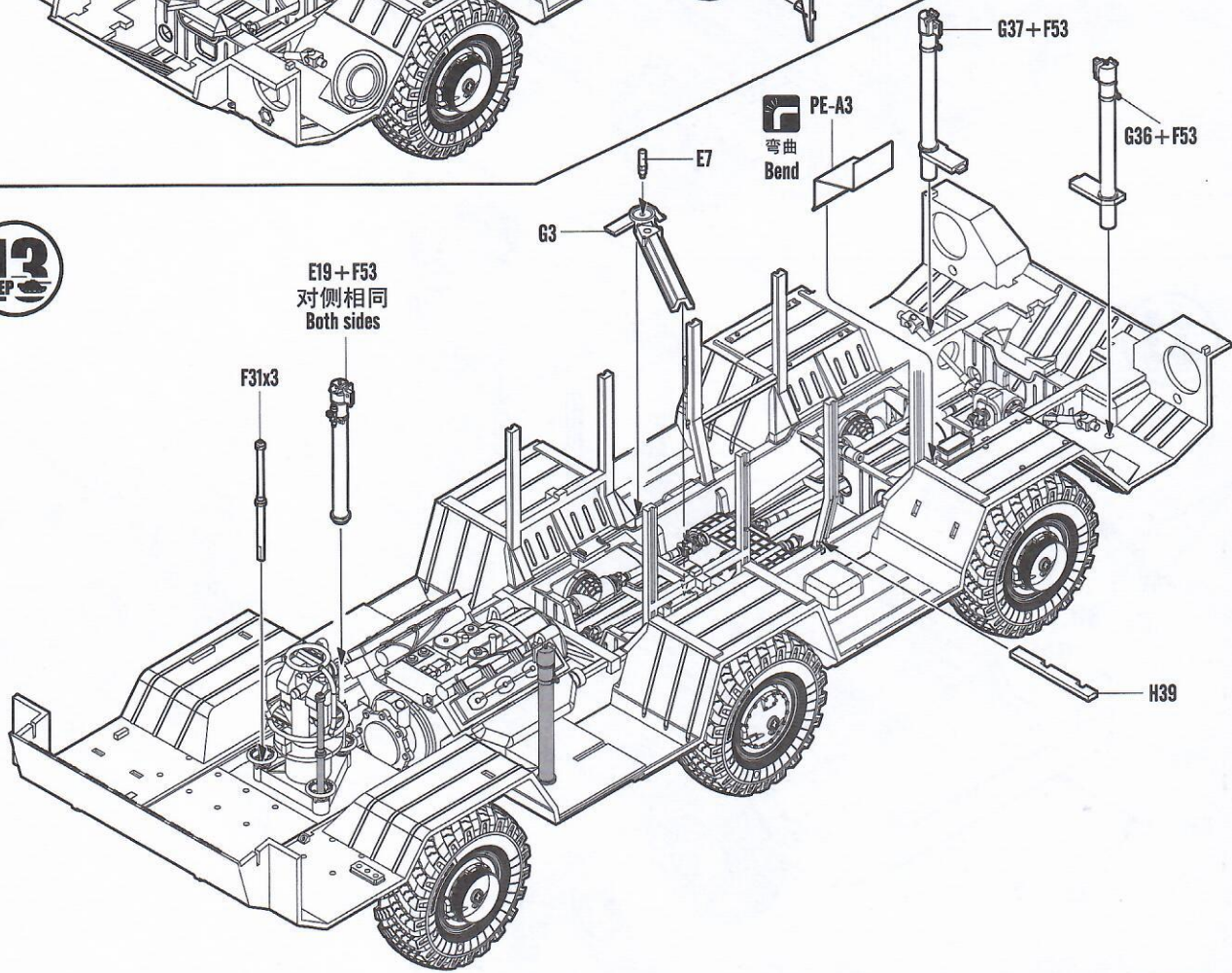


85509

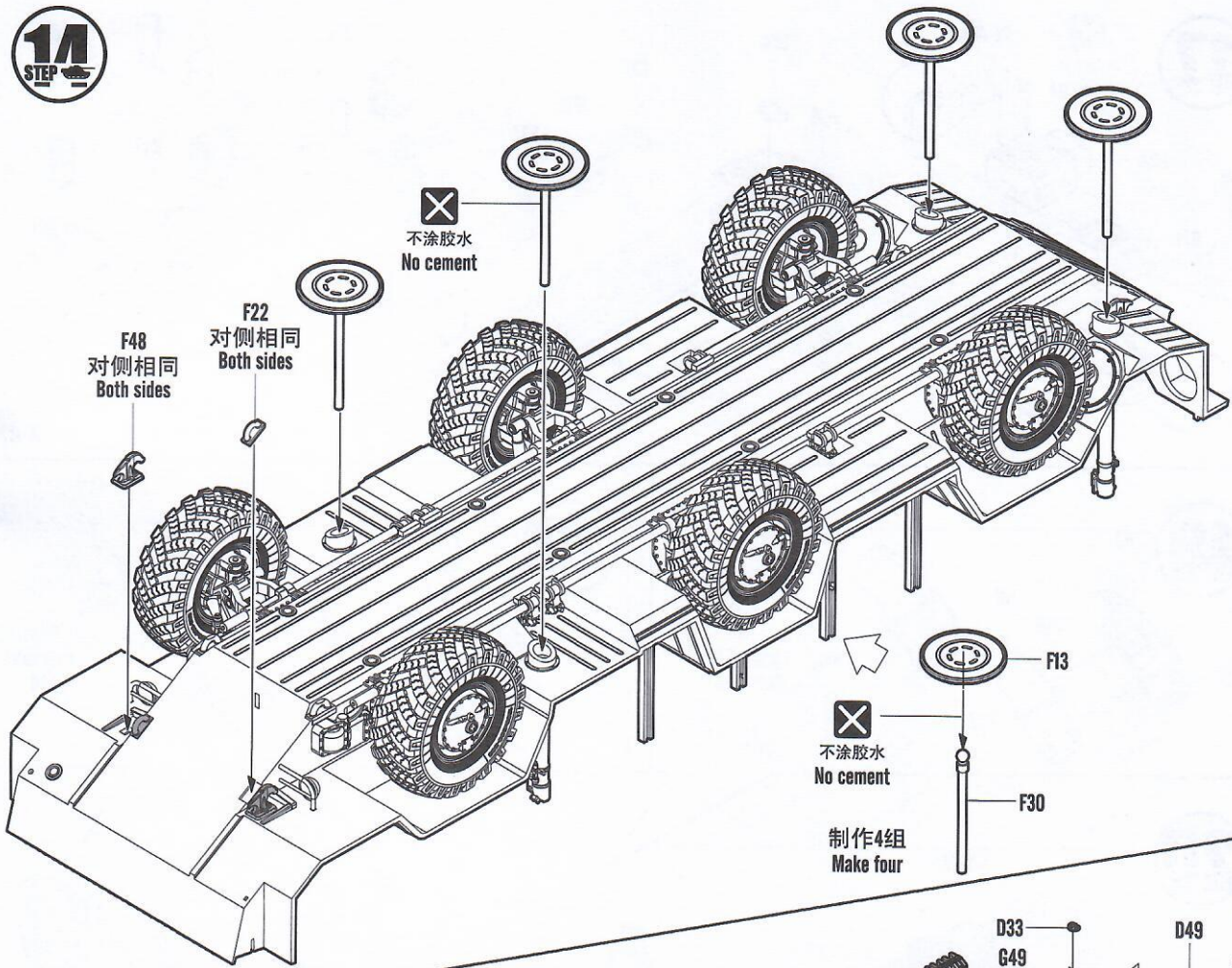
12
STEP



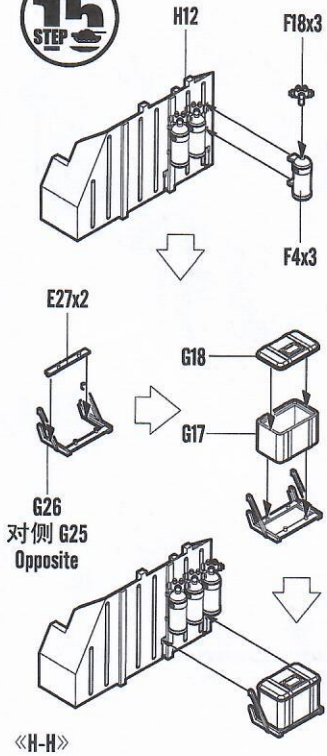
13
STEP



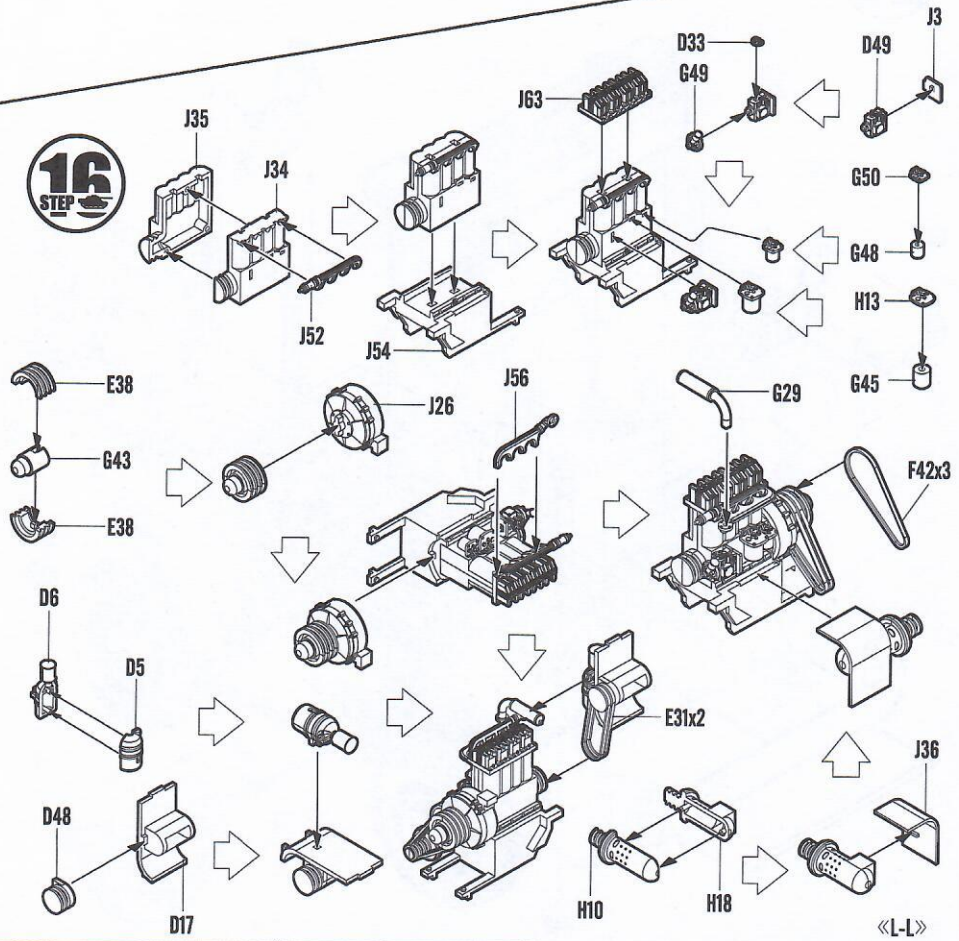
14
STEP



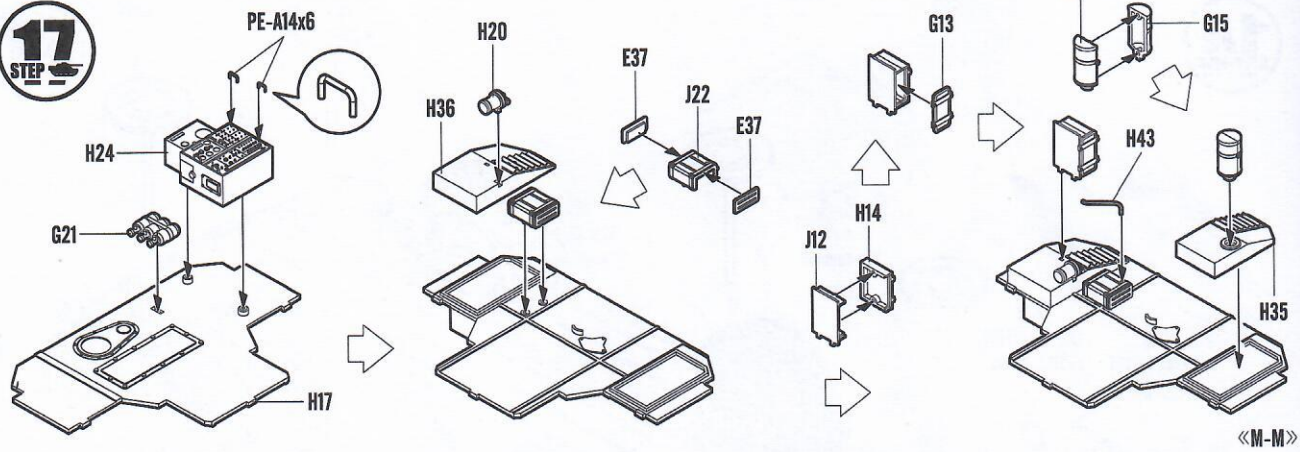
15
STEP



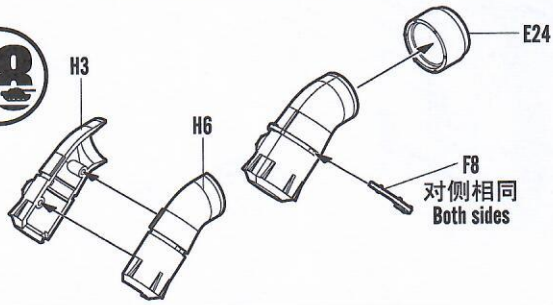
16
STEP



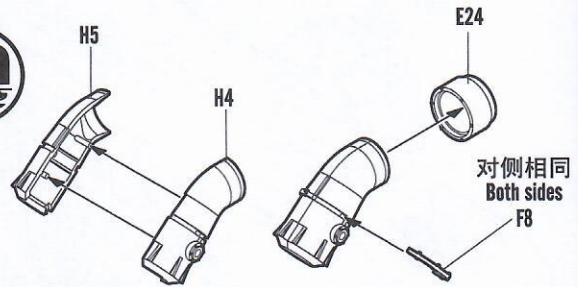
17
STEP



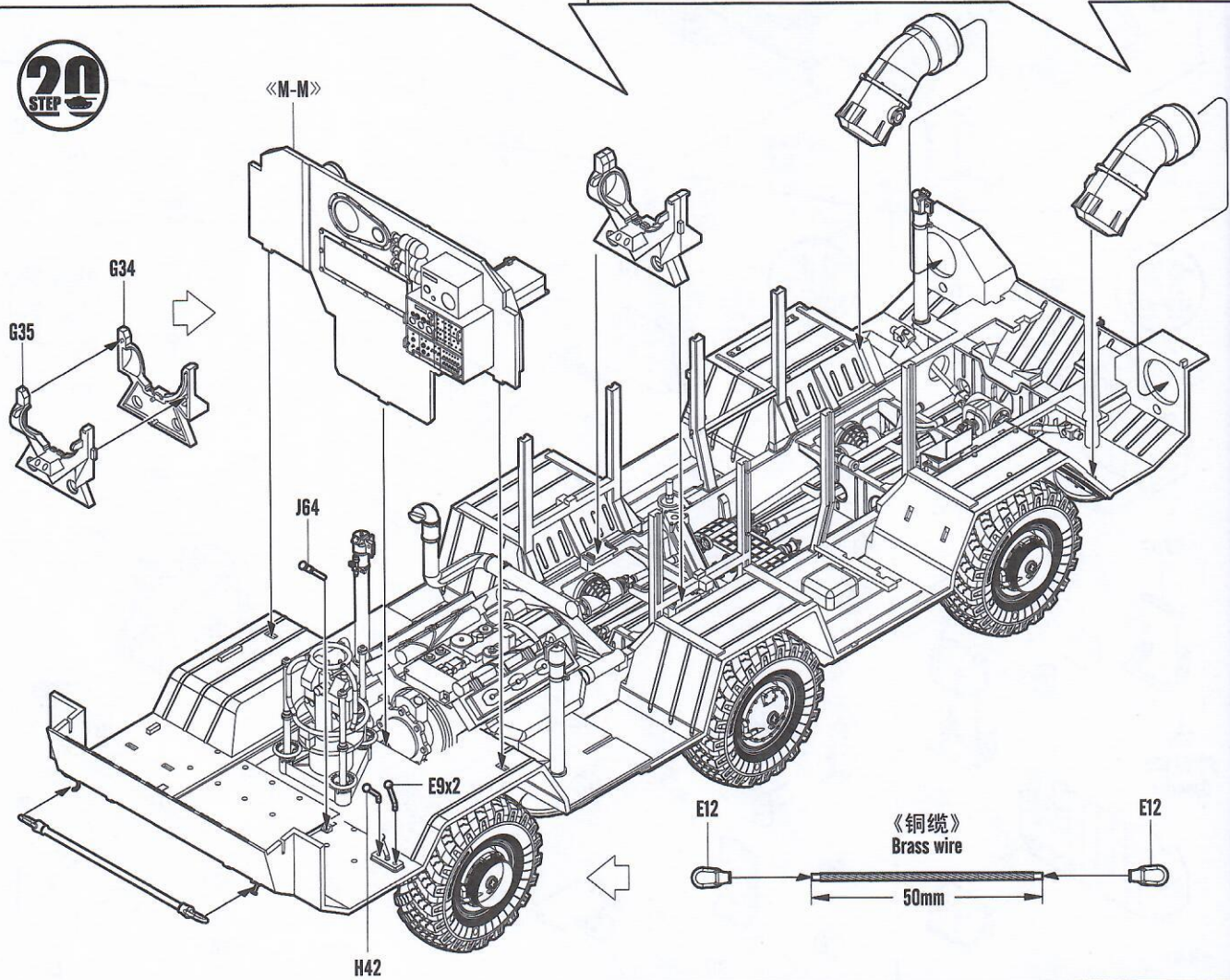
18
STEP



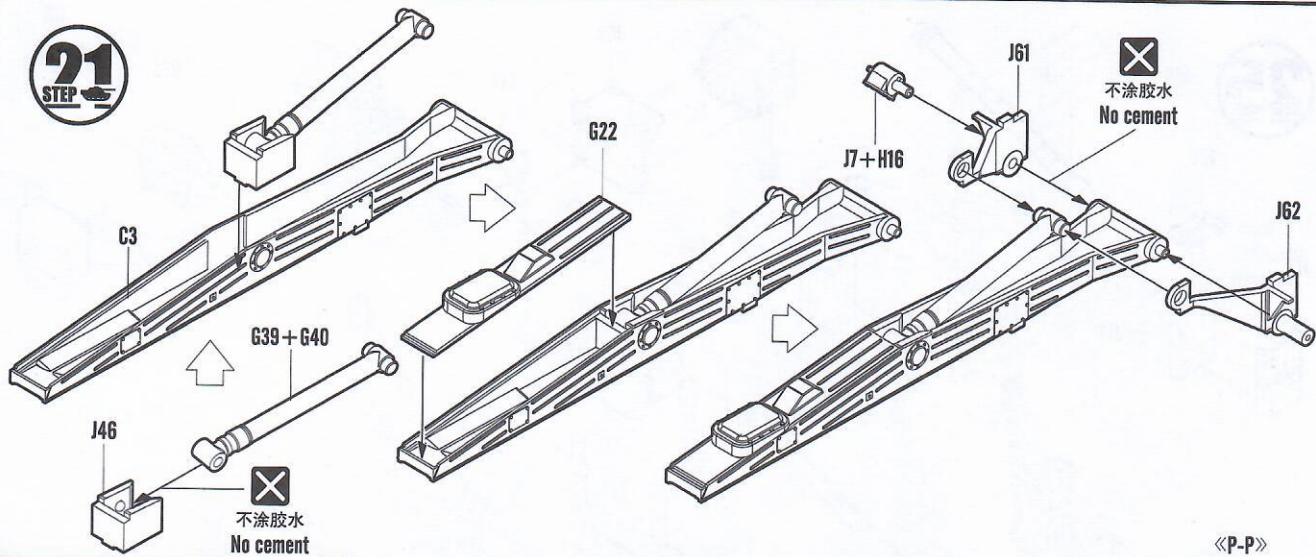
19
STEP



20
STEP

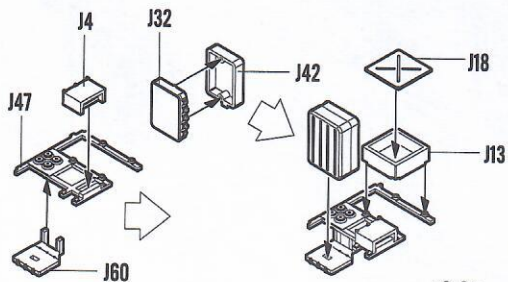


21
STEP



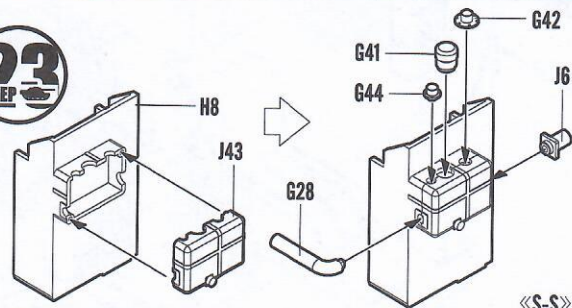
«P-P»

22
STEP



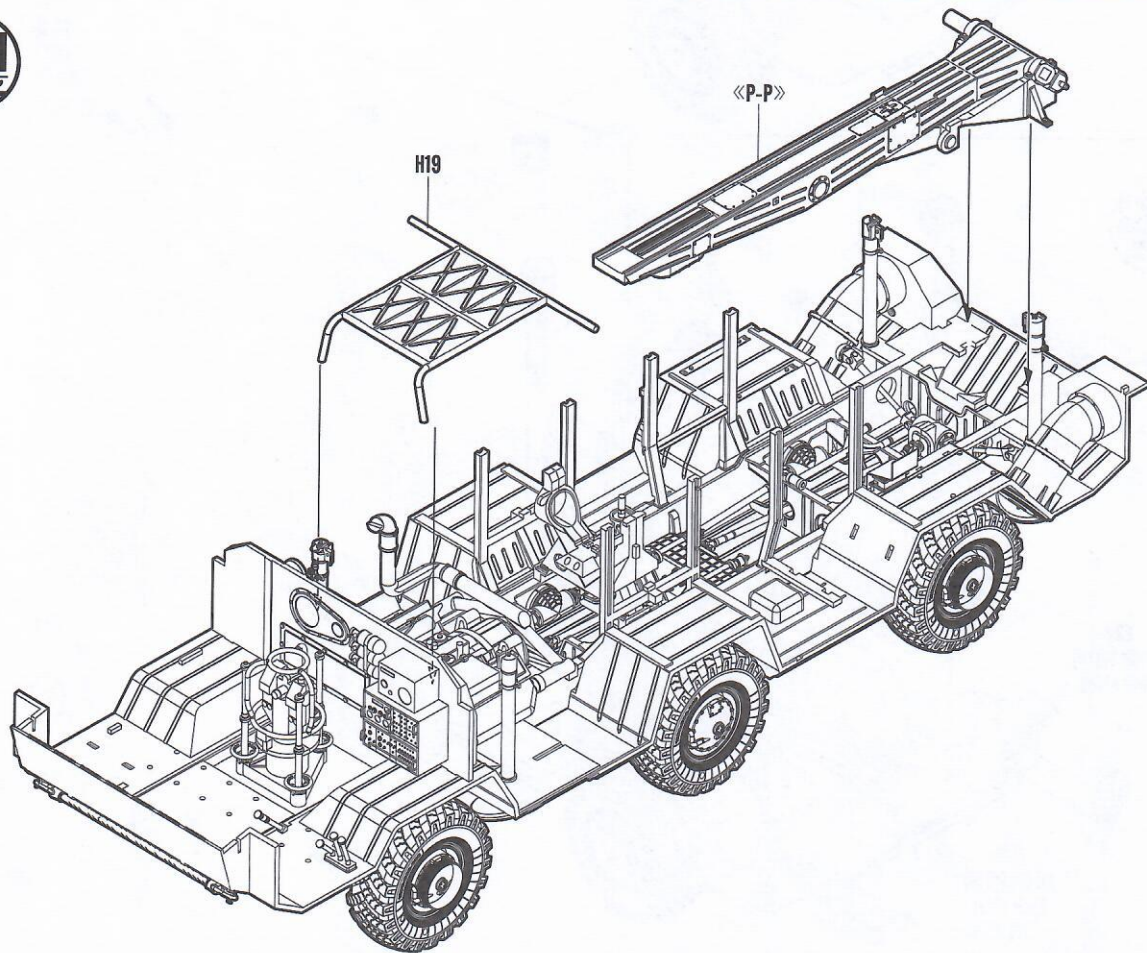
«Q-Q»

23
STEP

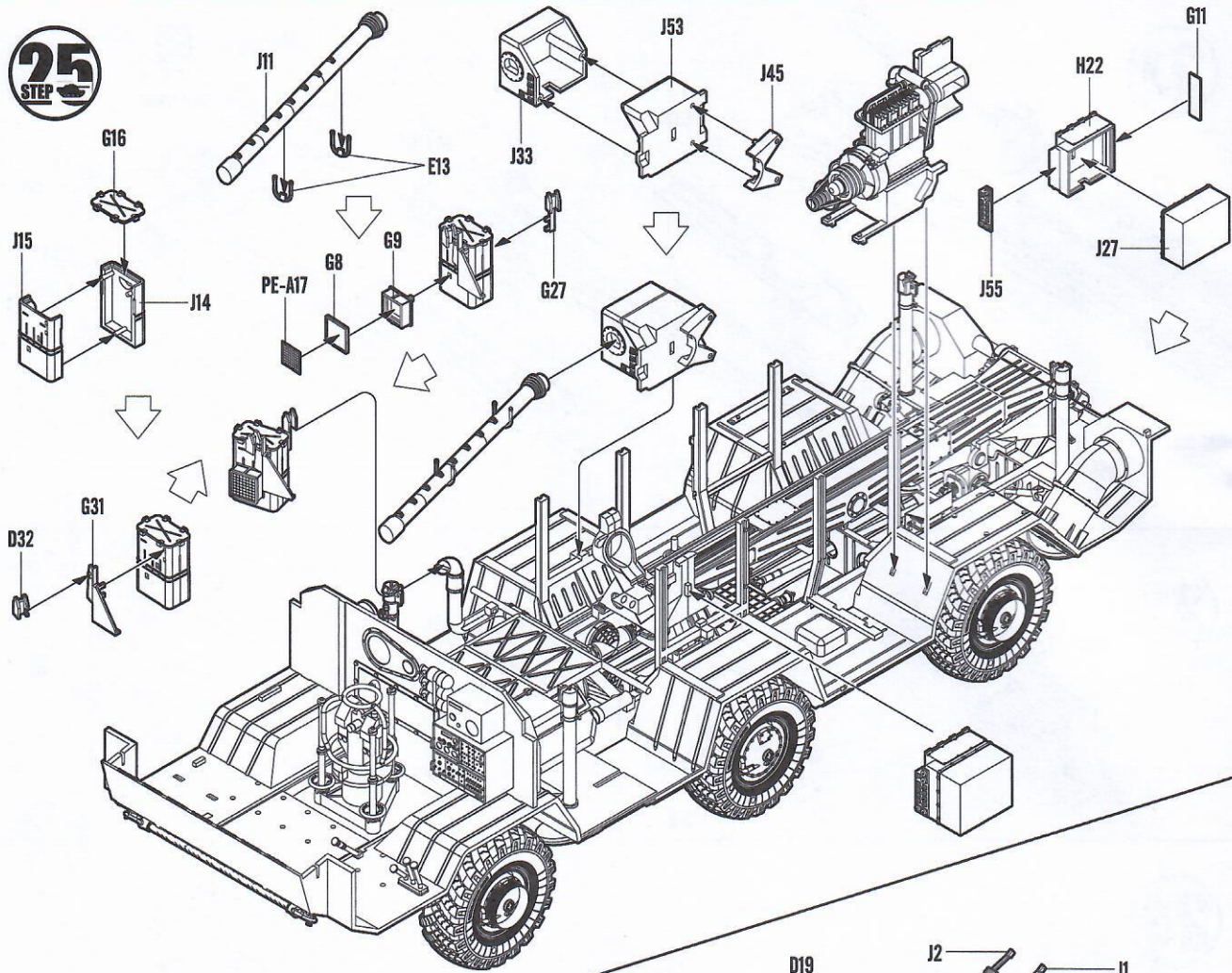


«S-S»

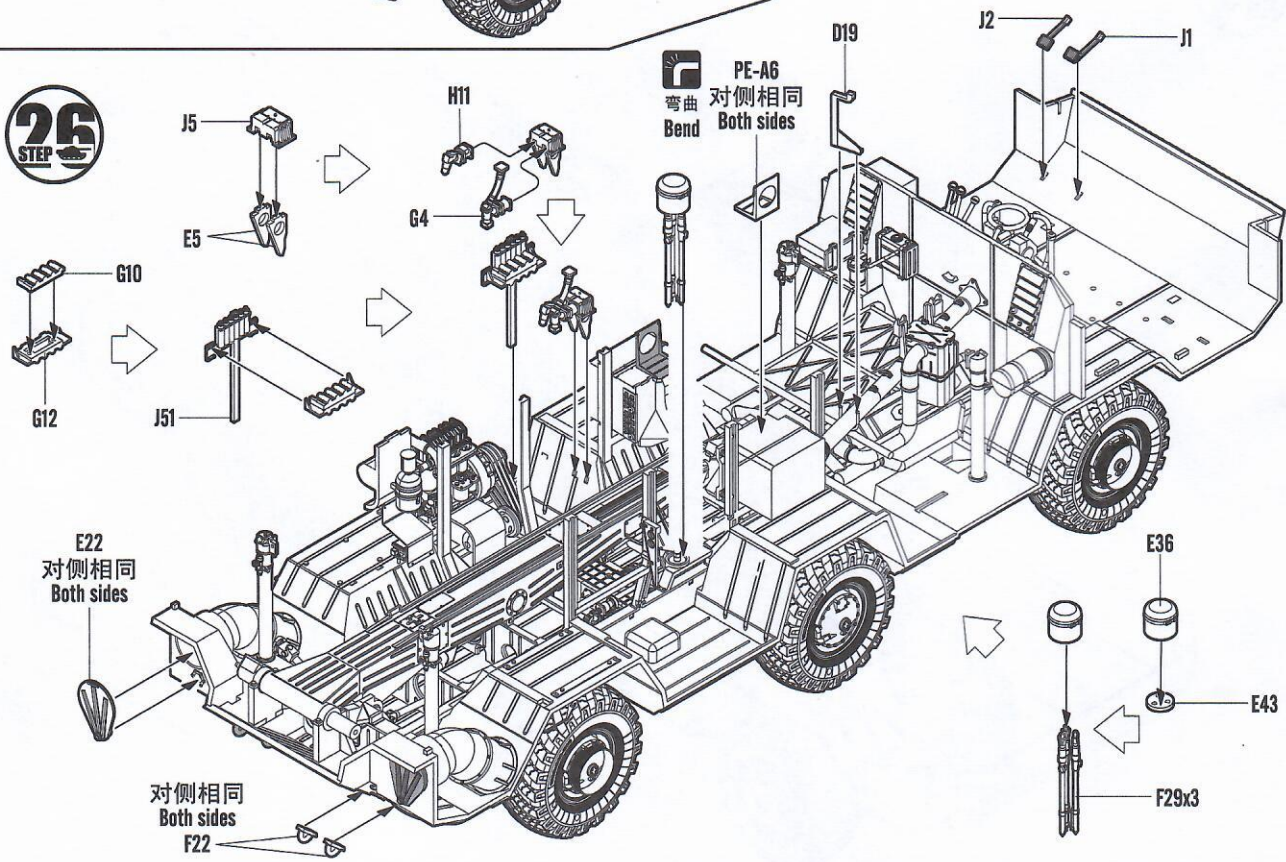
24
STEP



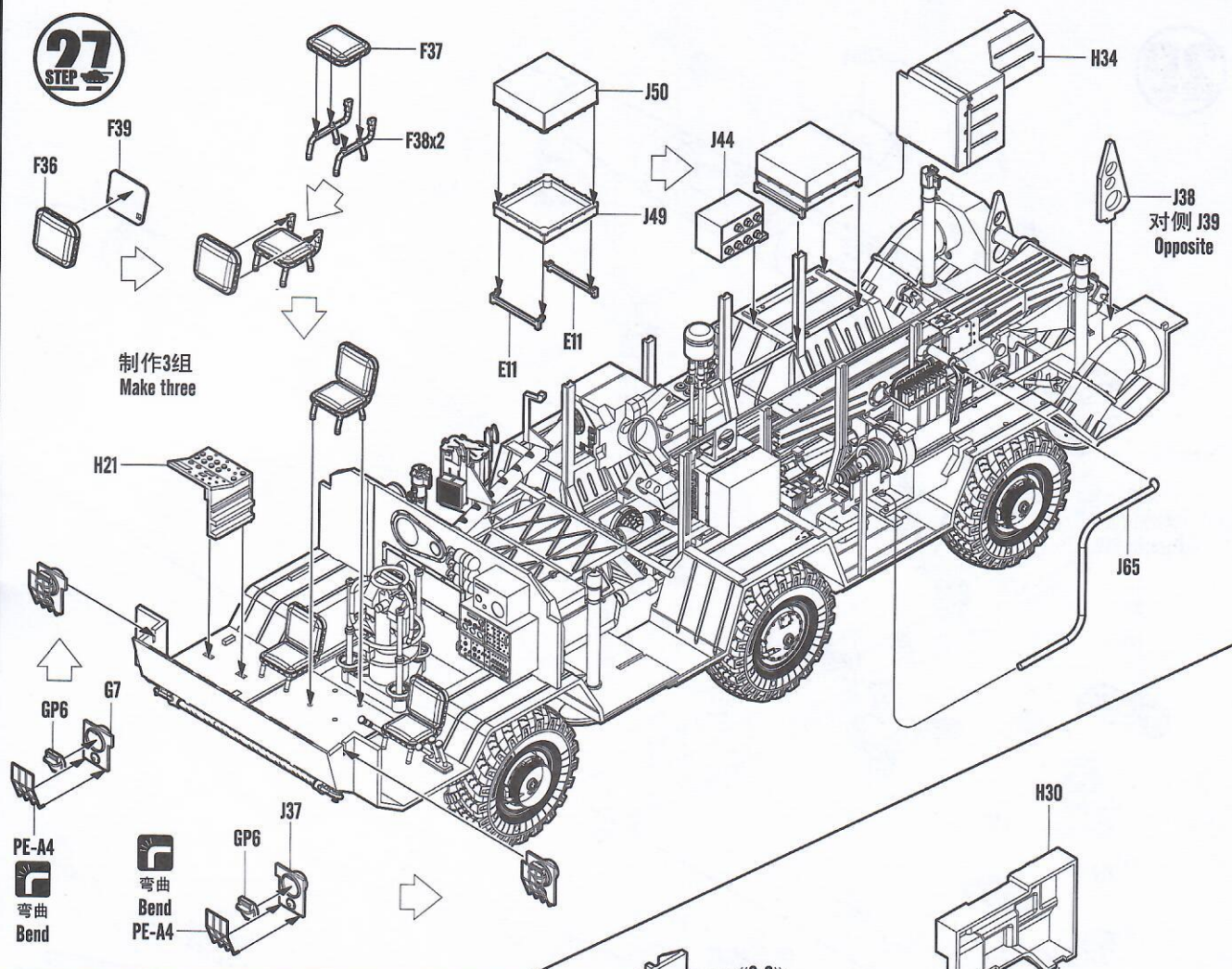
25
STEP



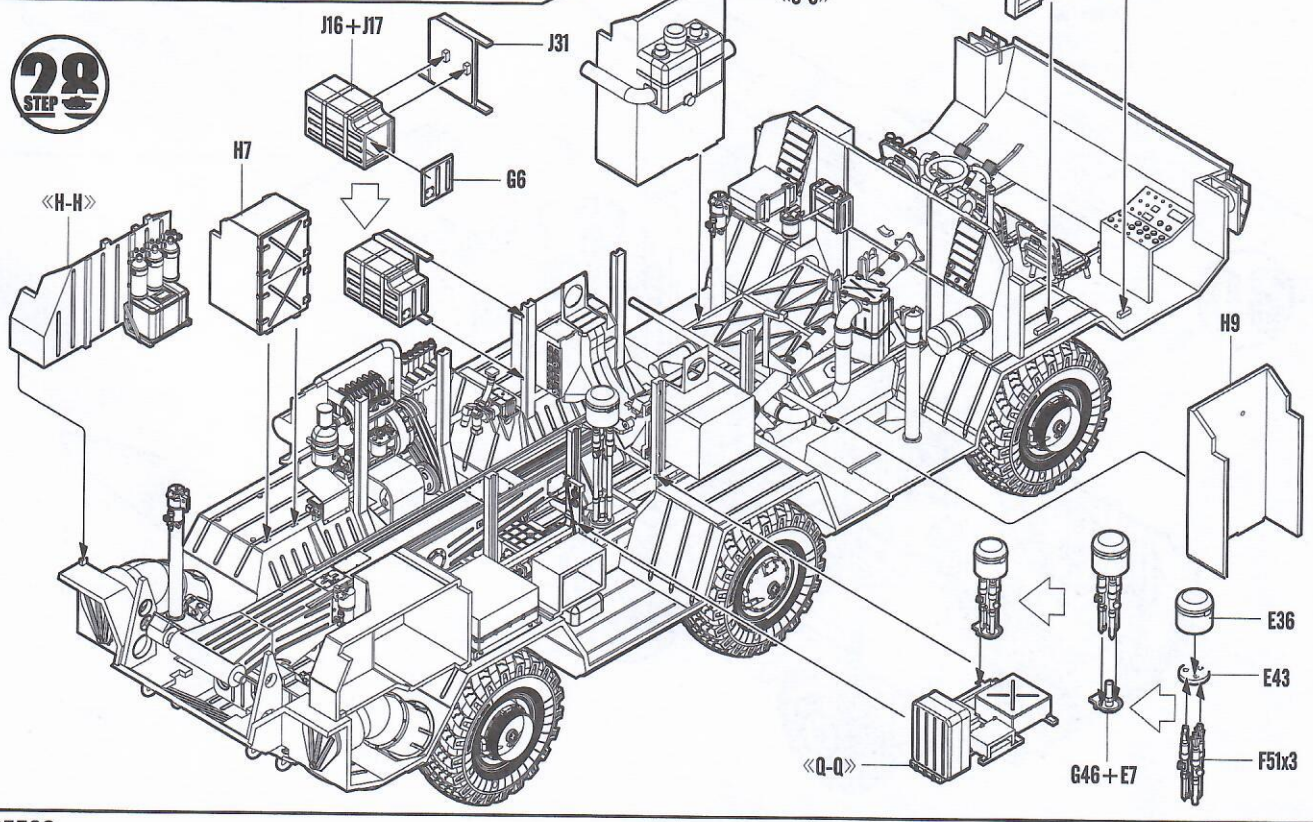
26
STEP



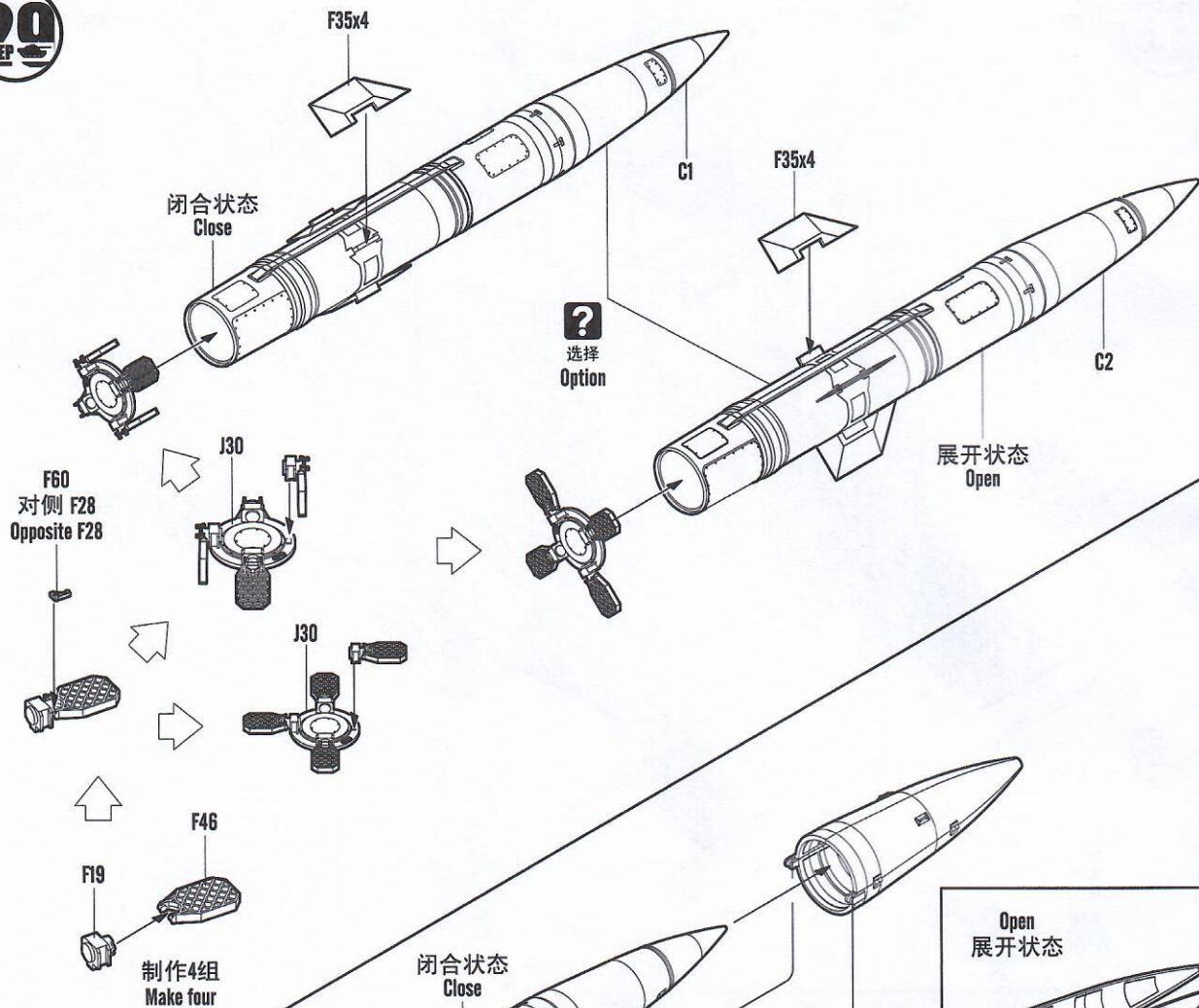
27
STEP



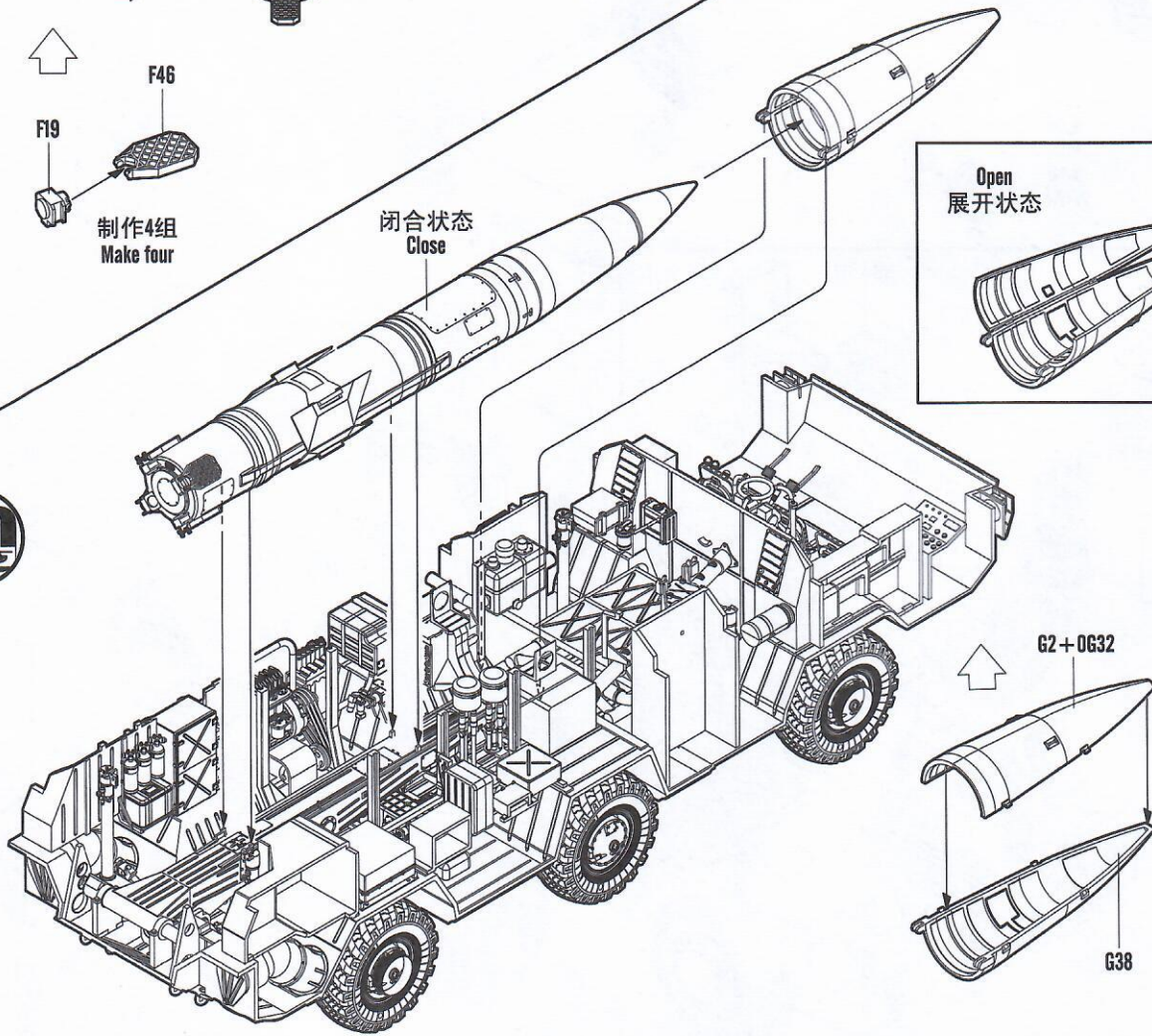
28
STEP

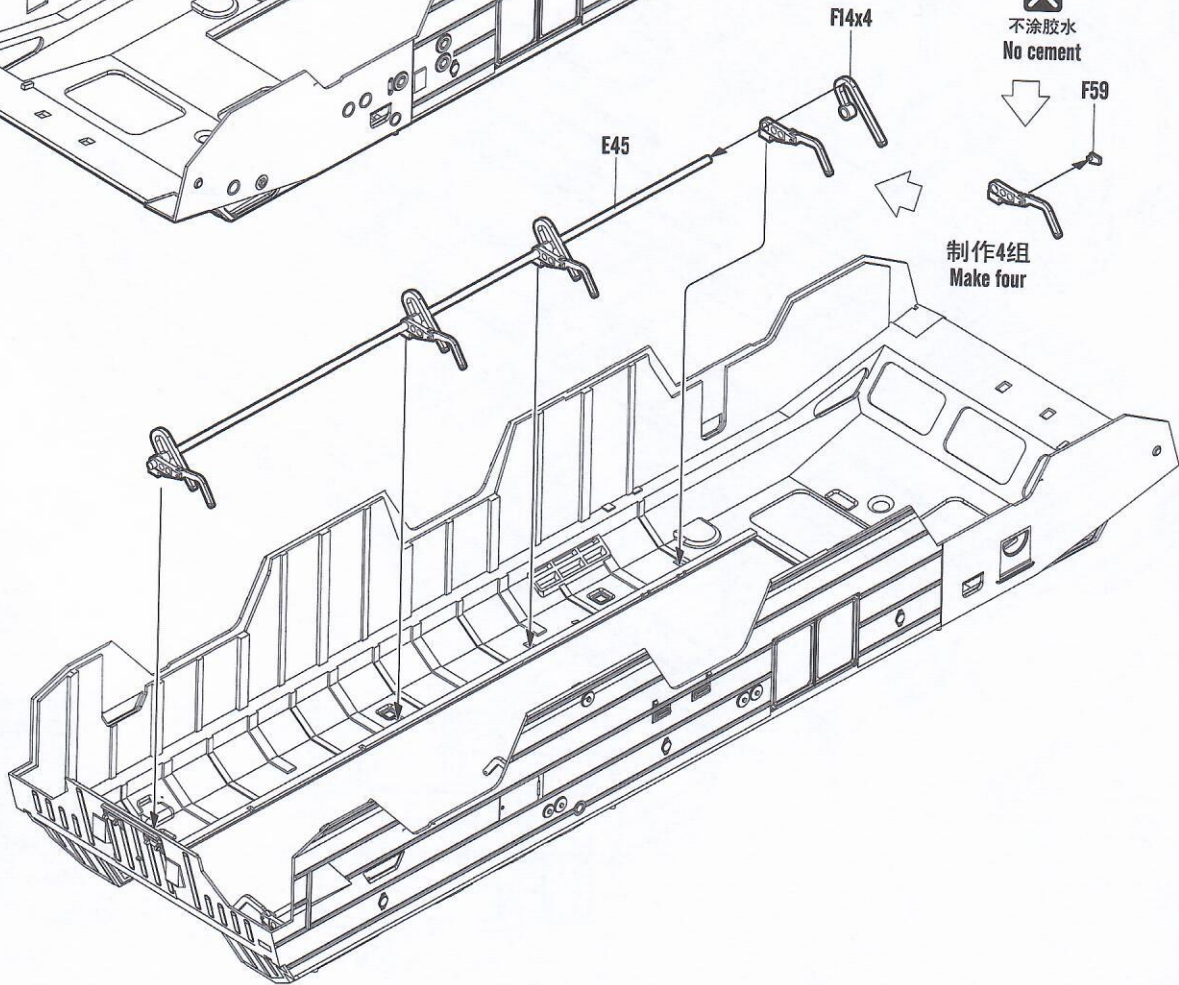
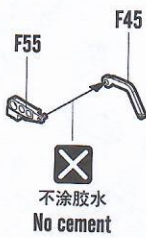
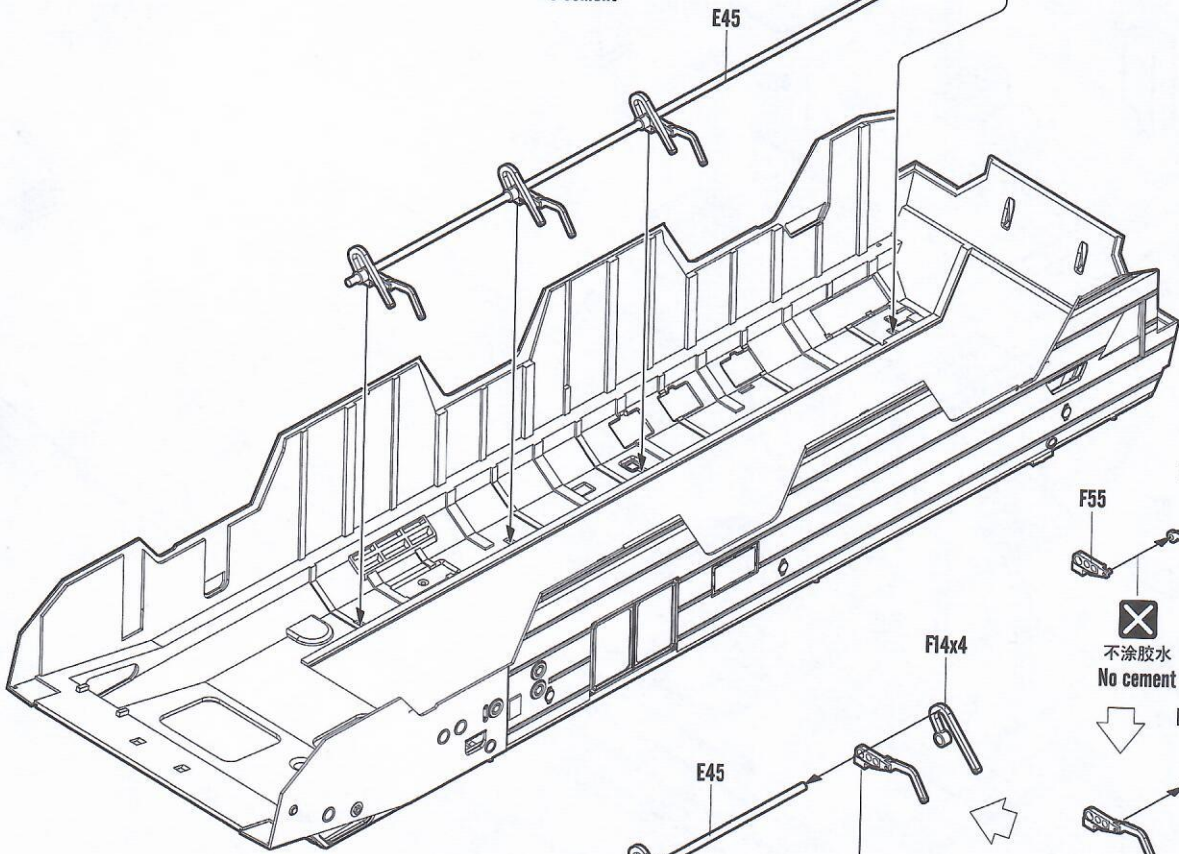


20
STEP

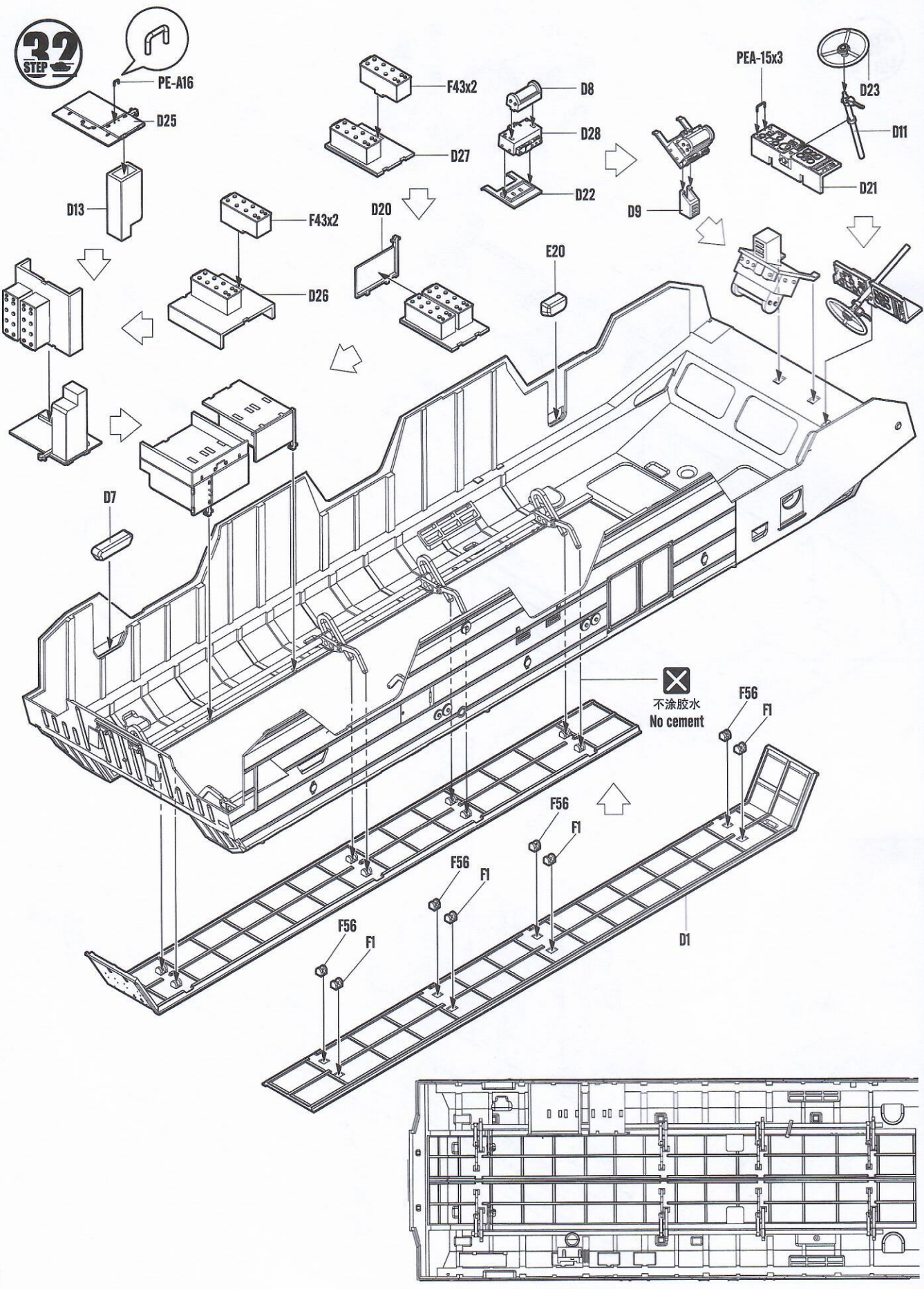


30
STEP

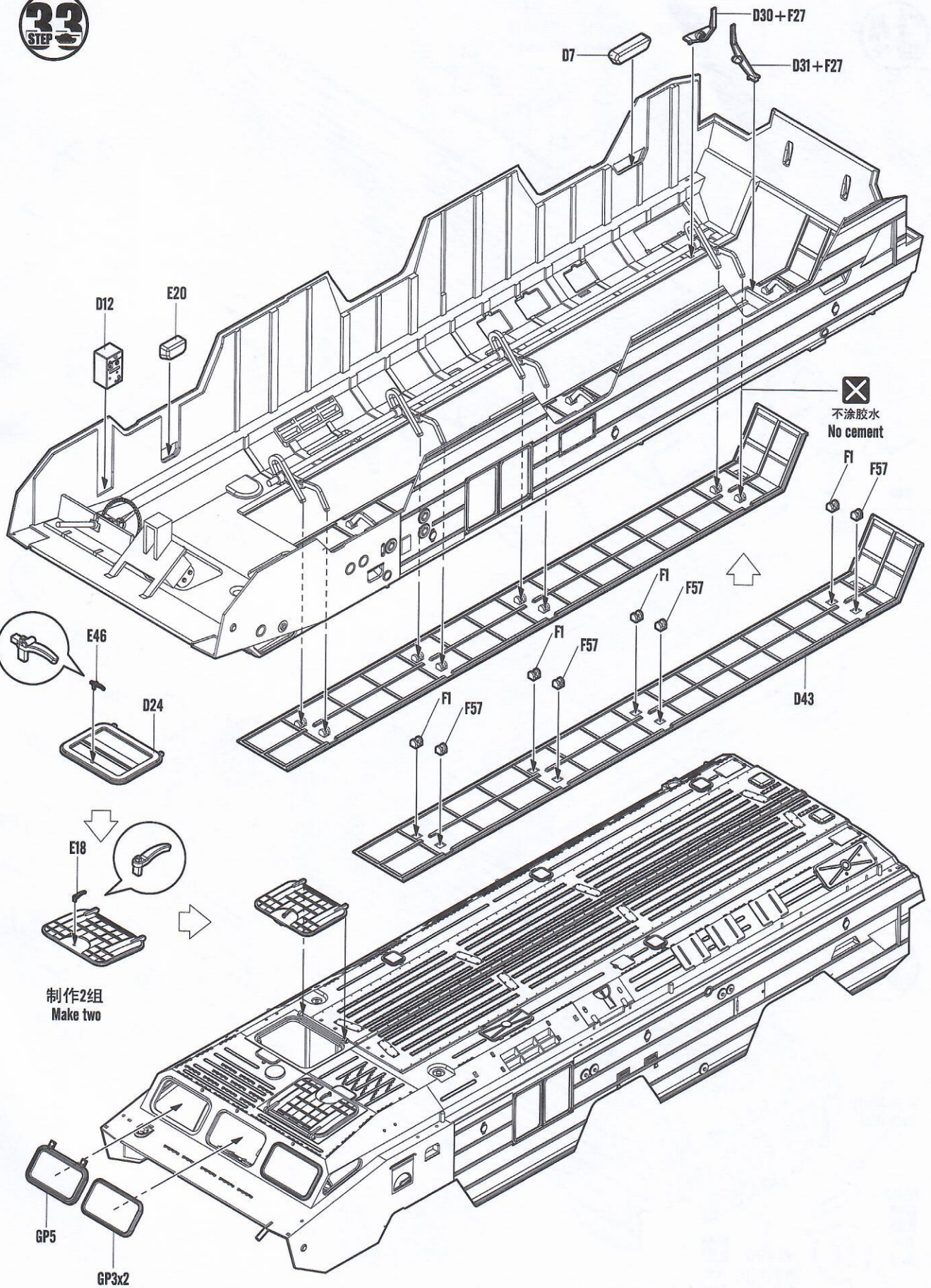




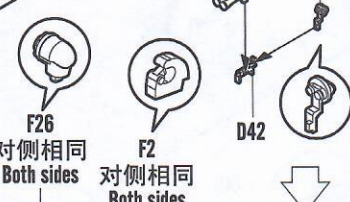
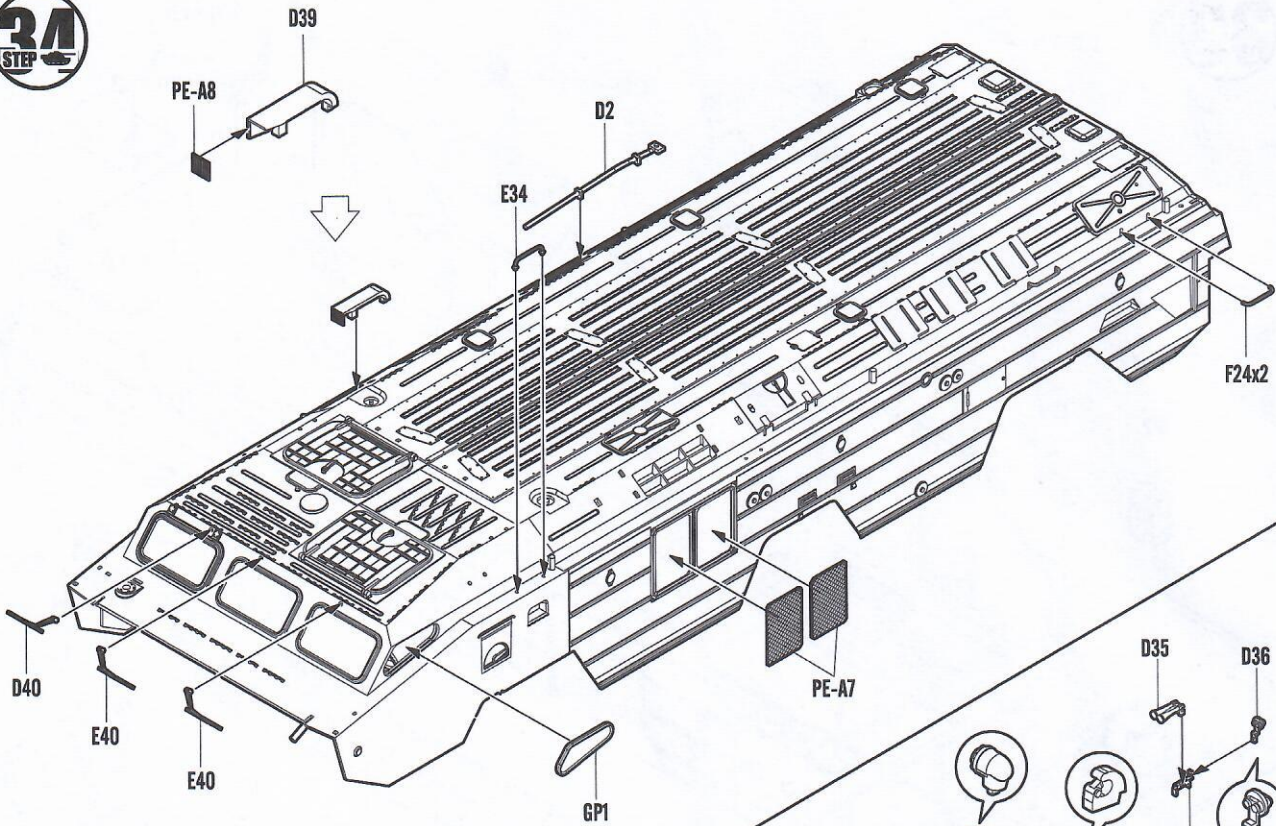
32
STEP



不涂胶水
No cement

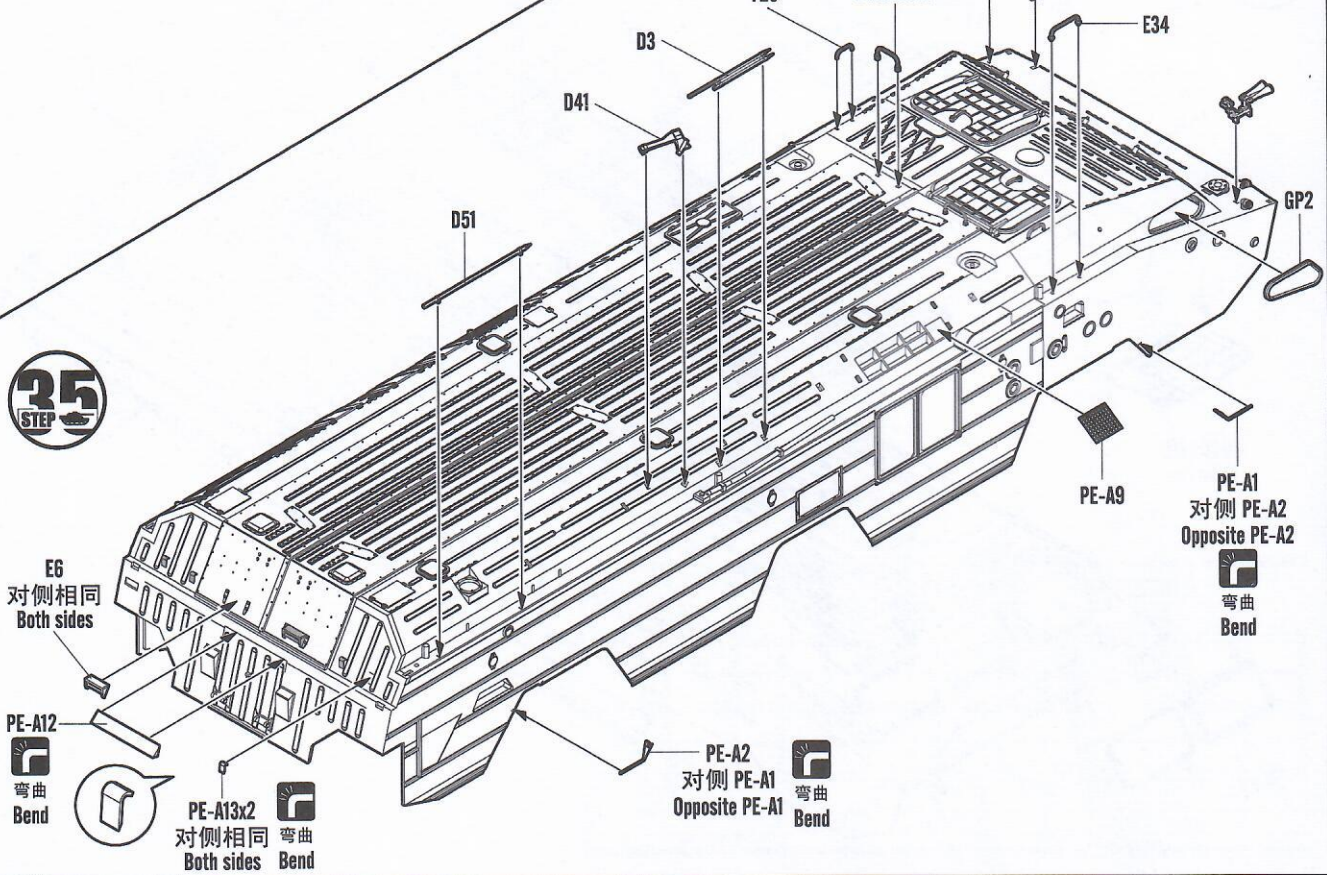


34
STEP

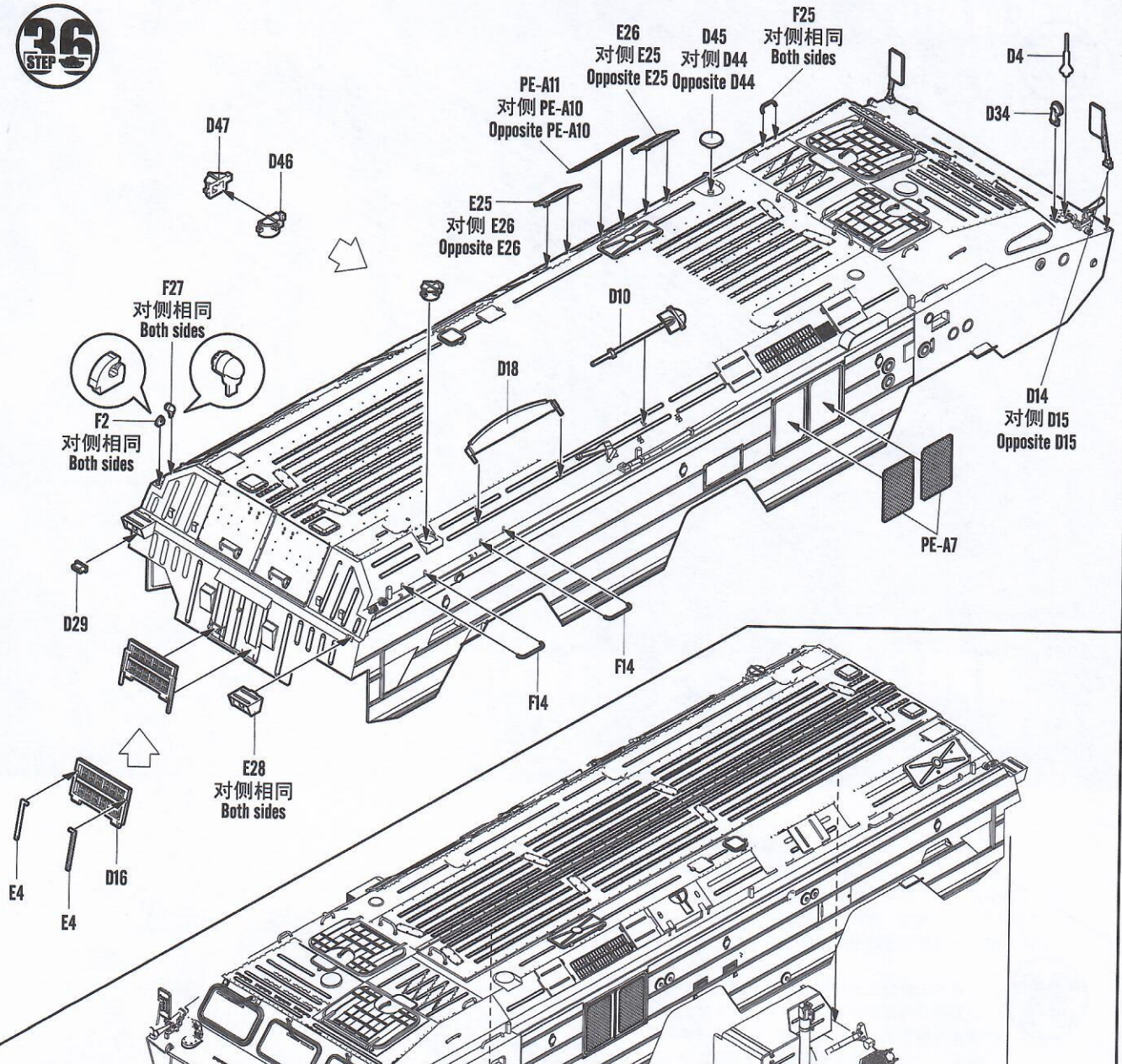


对侧相同 Both sides F25
对侧相同 Both sides E44
对侧相同 Both sides F26
对侧相同 Both sides F2

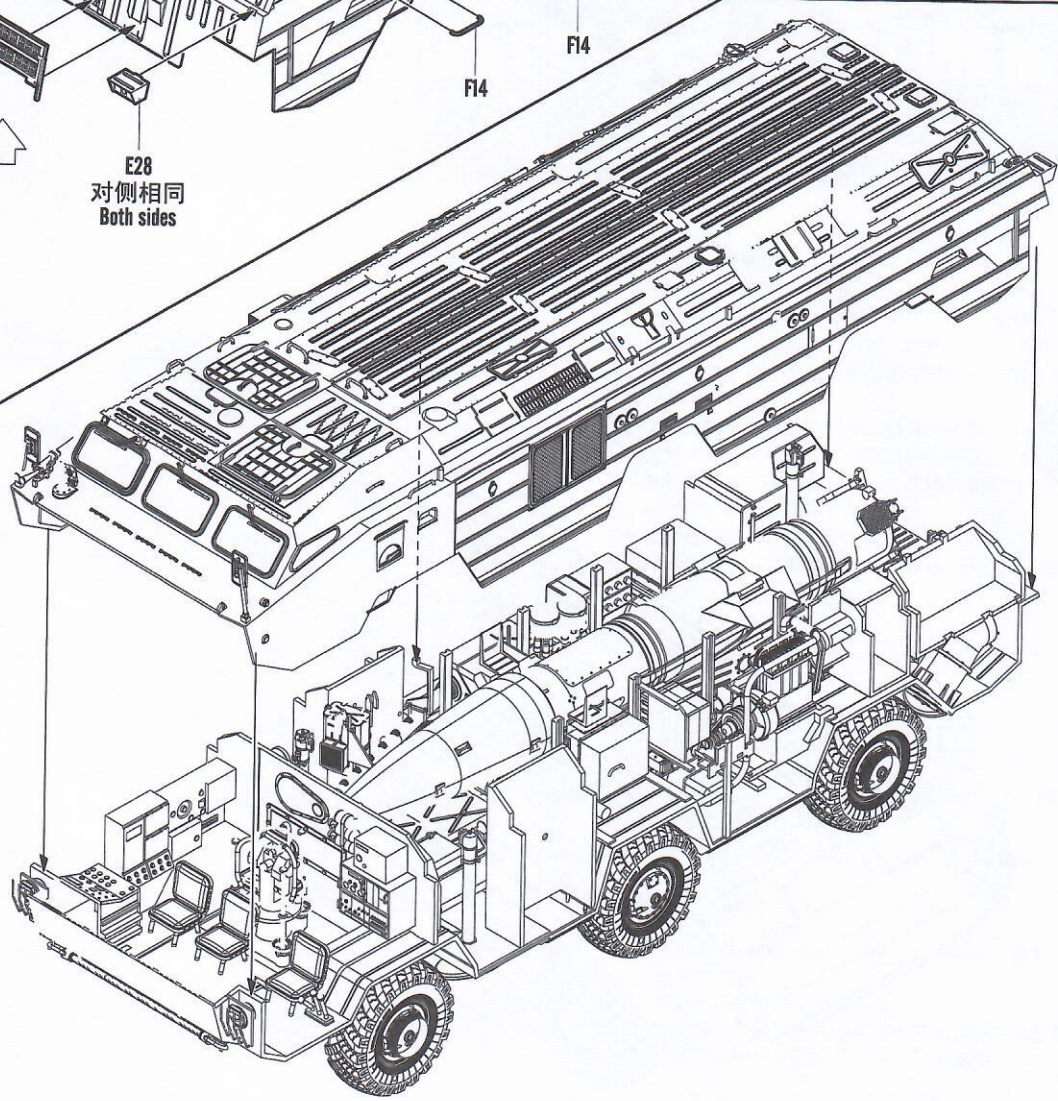
35
STEP



36
STEP

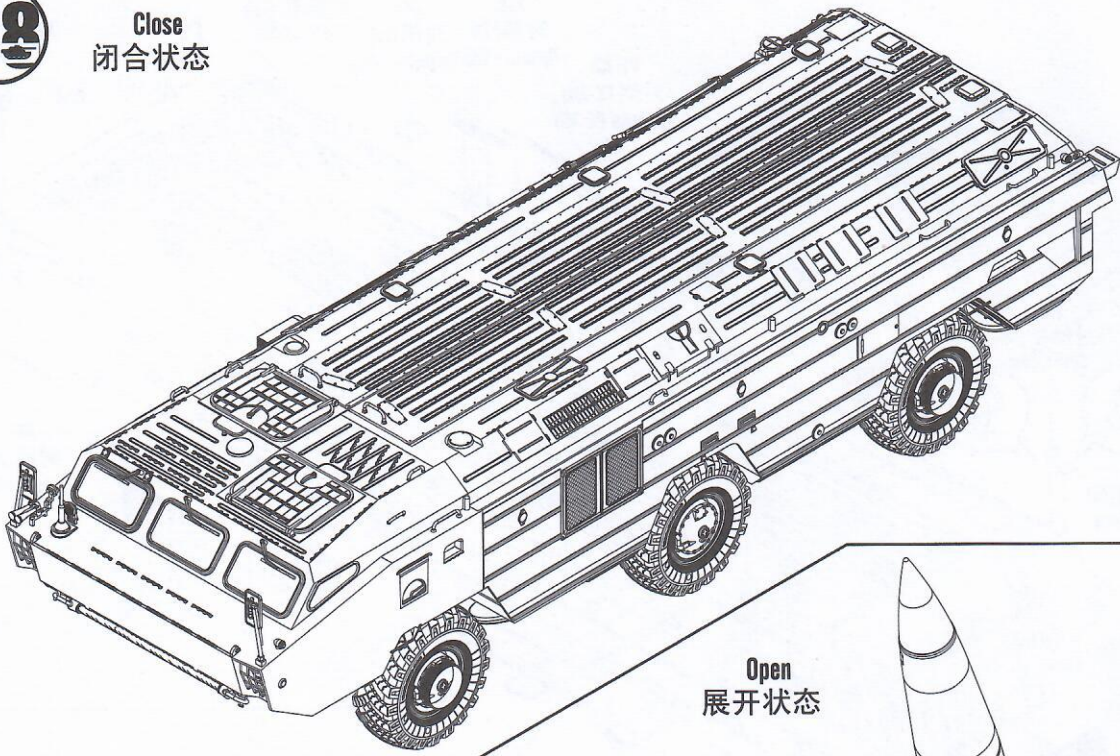


37
STEP

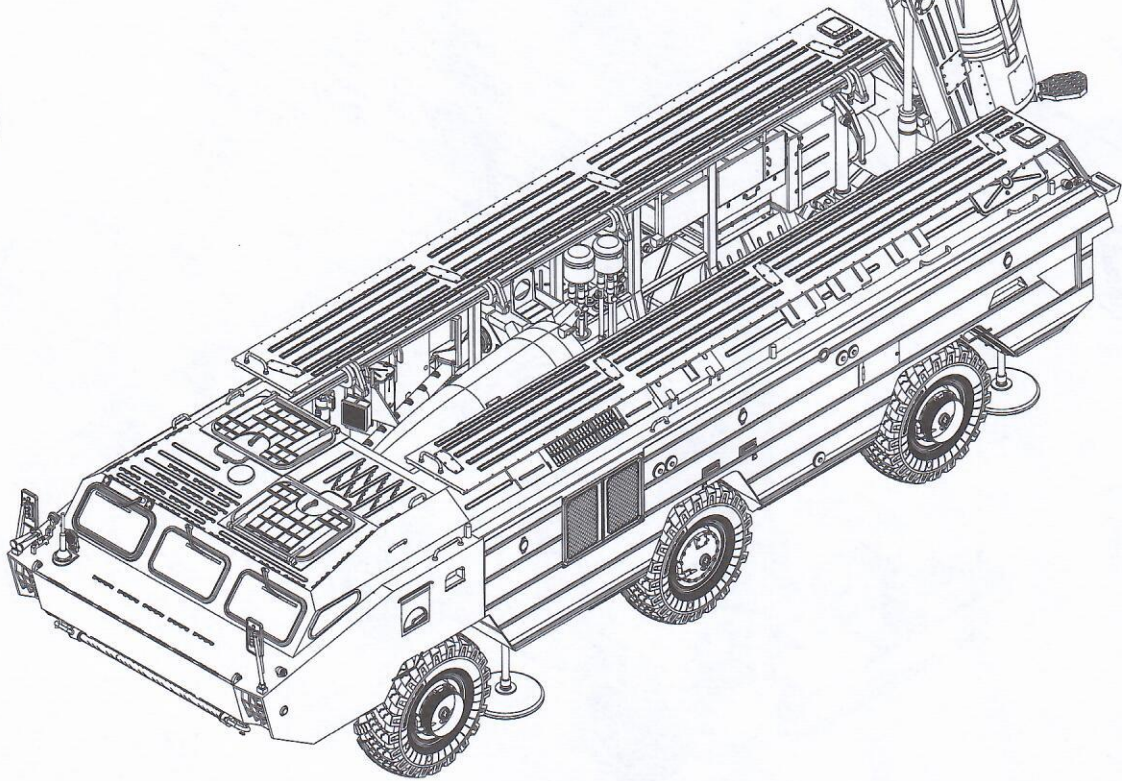
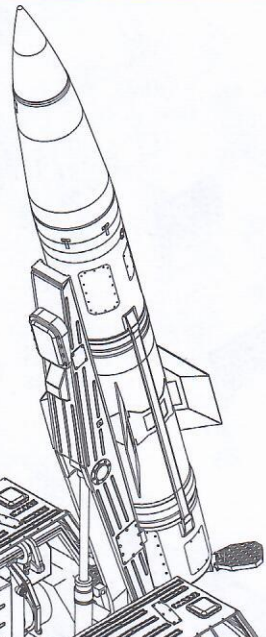


30
STEP

Close
闭合状态



Open
展开状态

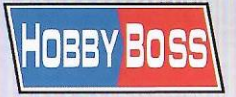


30
STEP

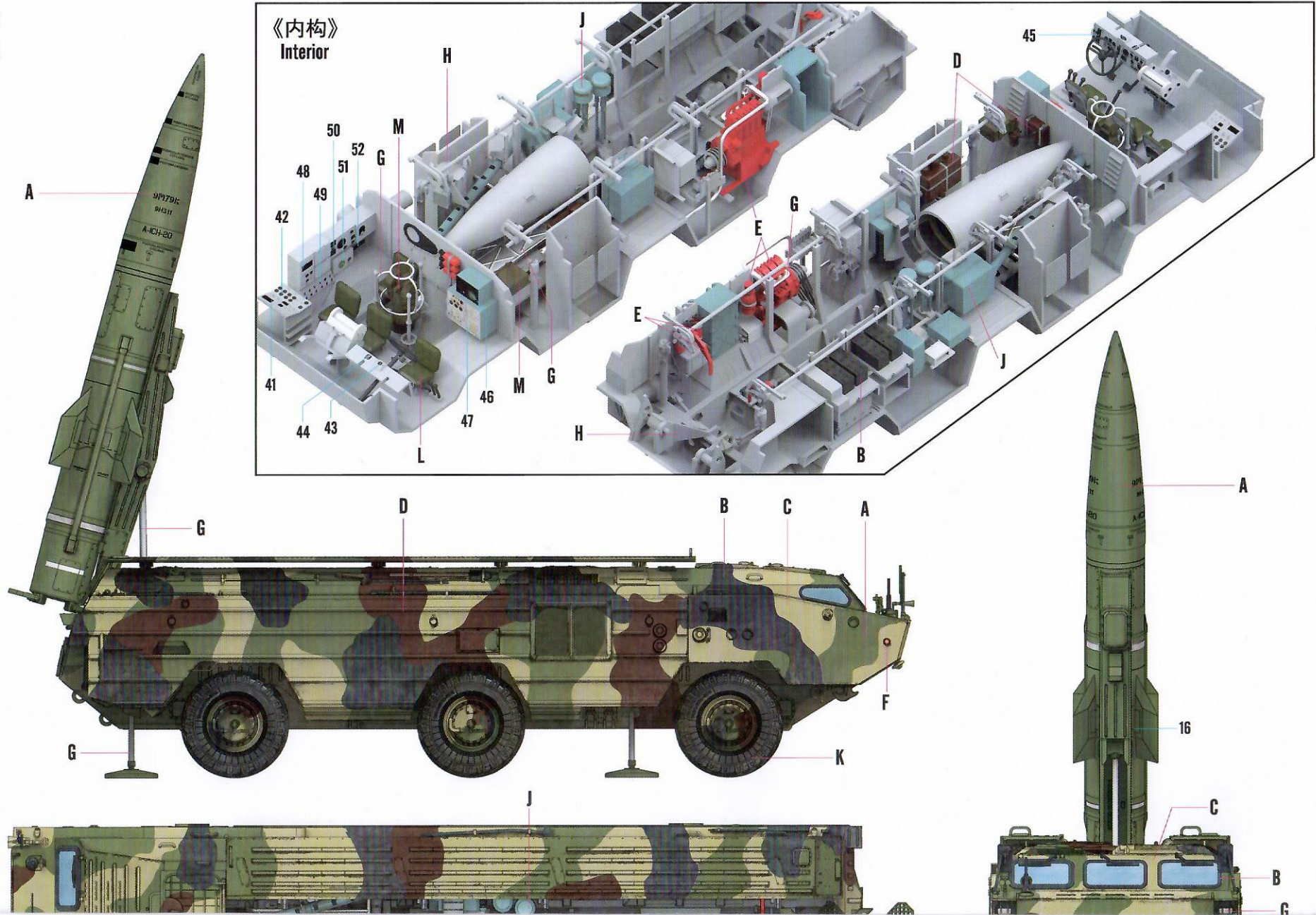
标贴与涂装 MARKING & PAINTING

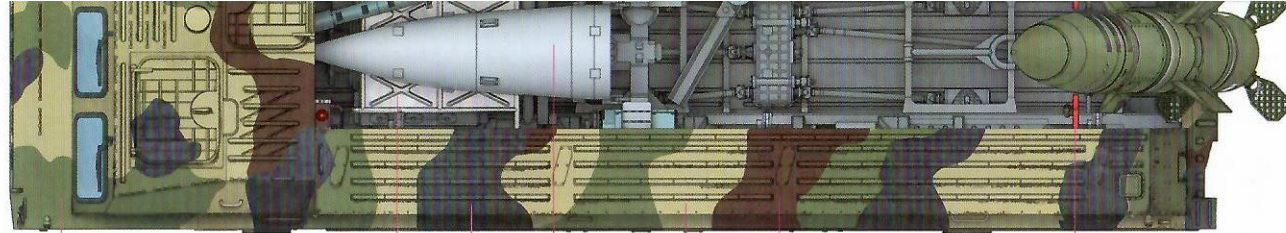
Russian 9K79 Tochka (SS-21 Scarab) IRBM

ロシア 9K79 トーチカ (SS-21 スカラベ) 中距離弾道ミサイル 俄罗斯SS-21“圣甲虫”弹道导弹



I





A

G

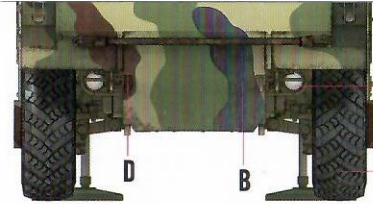
B

H

C

D

E



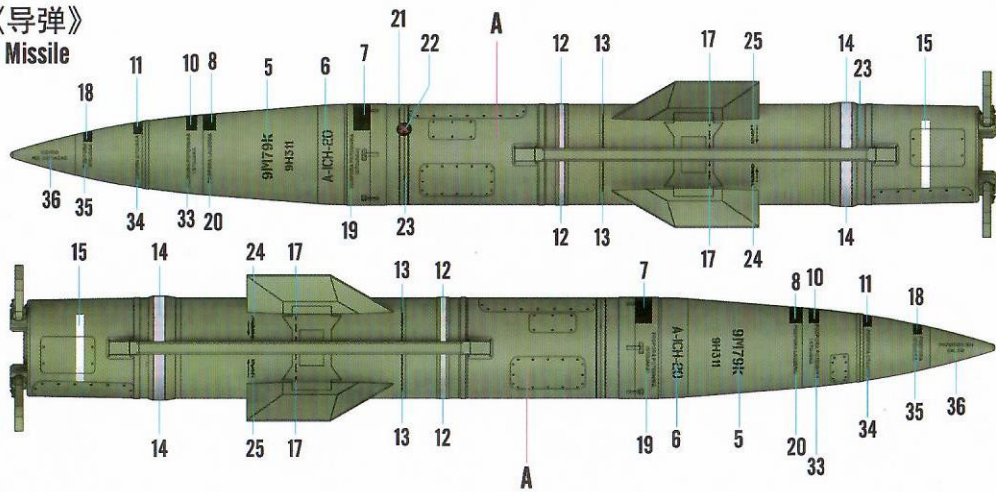
G

D

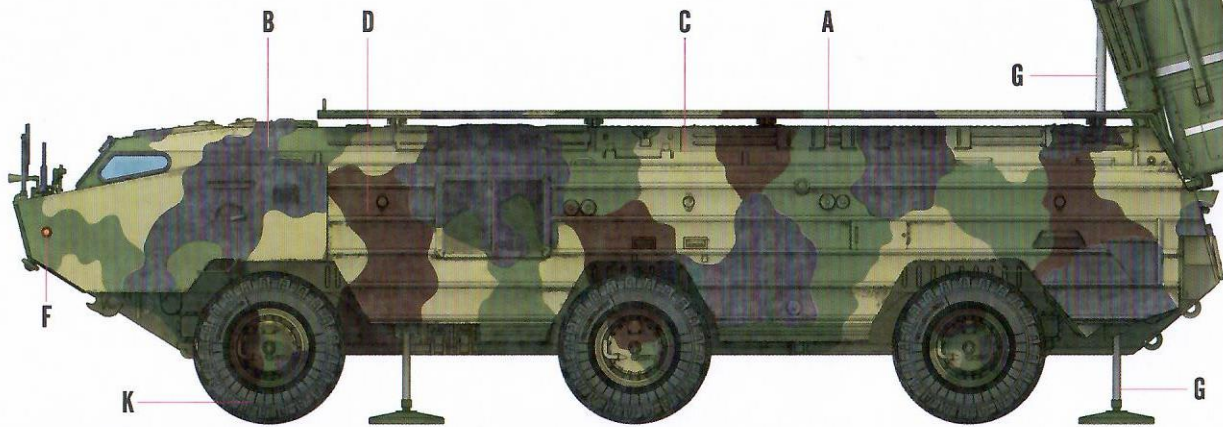
B

K

《导弹》
Missile



A



B

D

C

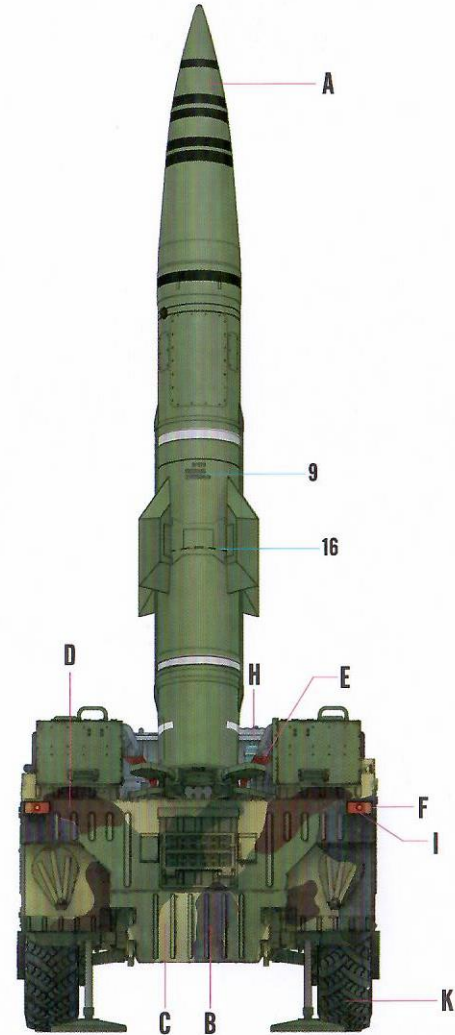
A

G

F

K

G



A

9

16

D

H

E

F

I

K

C

B

NO.:85509

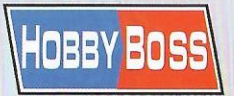
H AQUEOUS HOBBY COLOR ■ Mr. COLOR ■ ACRYSION COLOR

※ Some paints may not be available in your country. Please check your local hobby shop for substitute

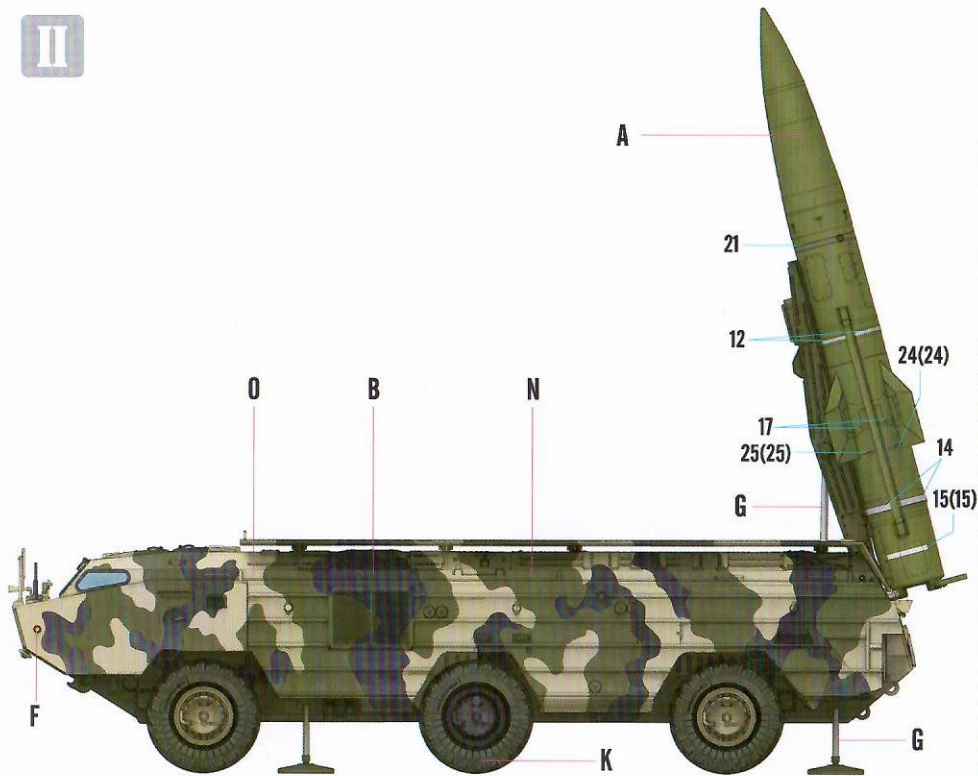
标贴与涂装
MARKING & PAINTING

Russian 9K79 Tochka (SS-21 Scarab) IRBM

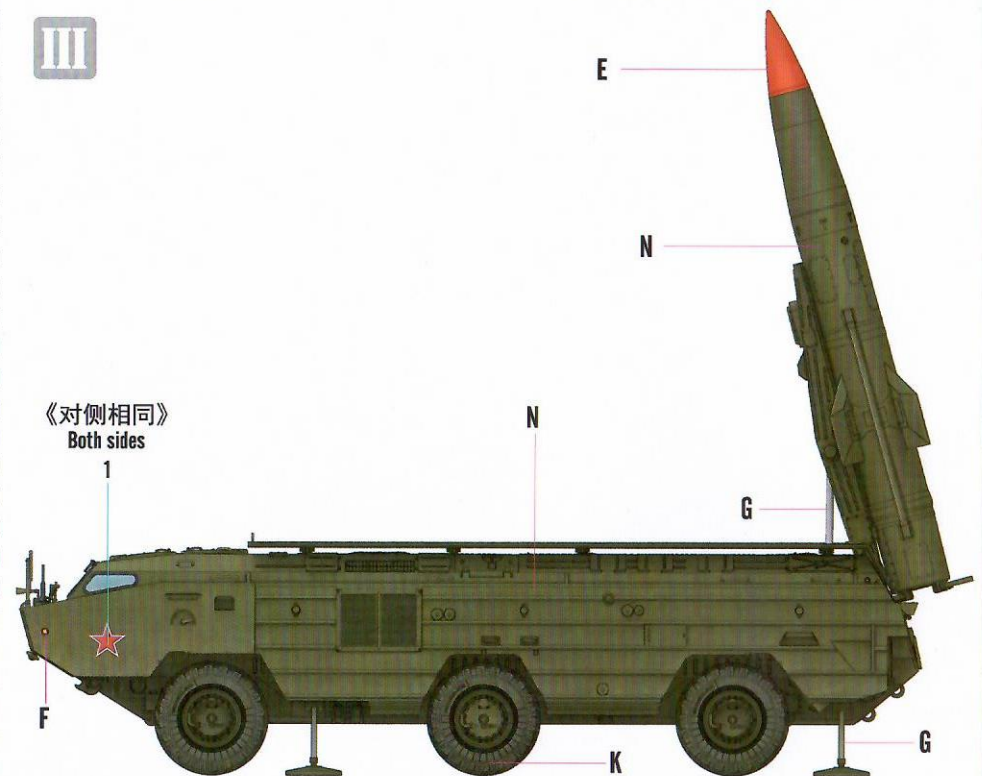
ロシア 9K79 トーチカ (SS-21 スカラベ) 中距離弾道ミサイル 俄罗斯SS-21 “圣甲虫” 弹道导弹



II



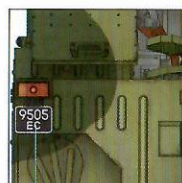
III



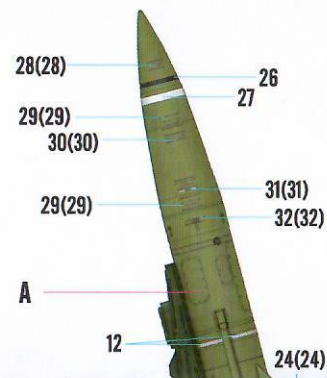
IV



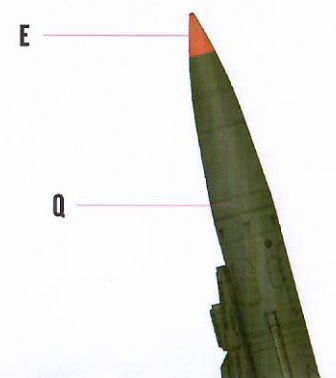
3

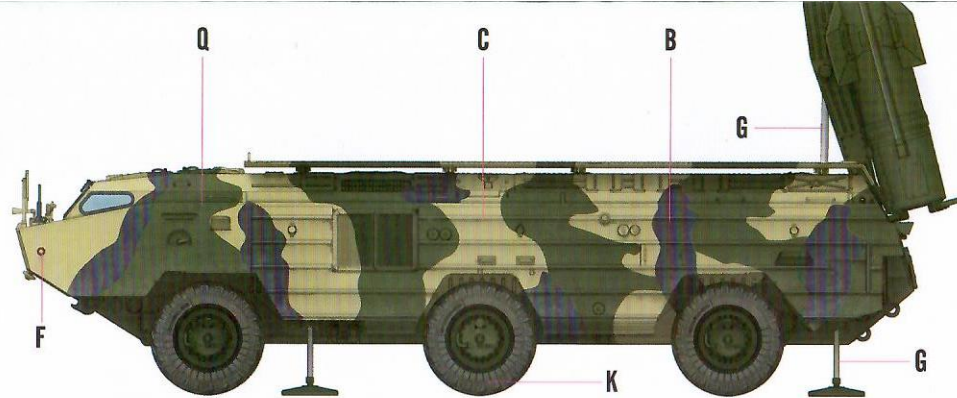
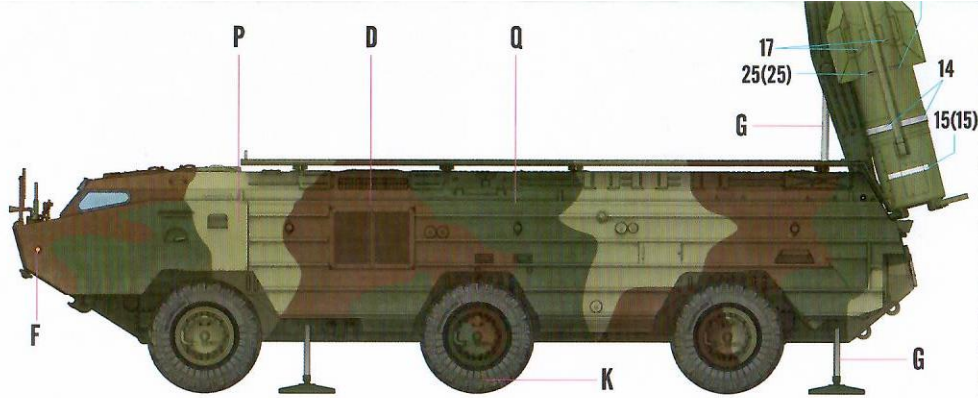


4

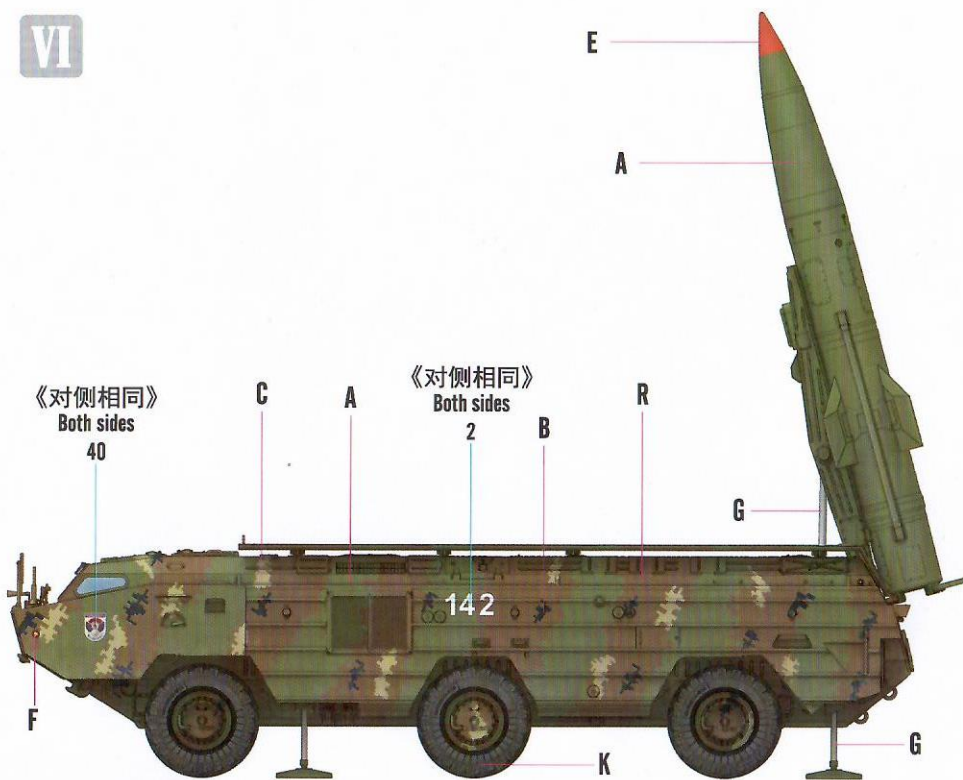


V





VI



Color	Mr.Hobby	Acrycion	Vallejo	Model Master	Tamiya	Humbrol
A 绿色 Light Green	H 303 303	N 303	--	1713	XF20	117
B 消光黑 Flat Black	H 12 33	N 12	950	1749	XF1	33
C 砂黄色 Sandy Yellow	H 79 39	N 79	824	--	XF59	93
D 红棕色 Red Brown	H 47 41	N 47	984	--	XF64	160
E 红色 Red	H 3 3	N 3	908	1503	X7	19
F 透明橘 Clear Orange	H 92 49	N 92	935	--	X26	--
G 银色 Silver	H 8 8	N 8	997	1546	X11	11
H 灰白色 Aircraft Gray	H 57 73	N 57	--	--	--	--
I 透明红 Clear Red	H 90 47	N 90	934	--	X27	--
J 浅灰兰 Gray Blue	H 337 337	N 337	907	1732	XF14	147
K 胎黑色 Tire Black	H 77 137	N 77	--	--	--	--
L 卡其绿色 Khaki Green	H 80 54	N 80	924	--	XF51	159
M 橄榄色 Olive Drab	H 304 304	N 304	887	1711	XF62	155
N 绿色 Forest Green	H 309 309	N 309	893	1710	XF58	116
O 黄色 Yellow	H 313 313	N 313	819	1706	--	121
P 绿色 Medium Grey Green	H 312 312	N 312	--	1716	--	120
Q 墨绿色 Black Green	H 65 18	N 65	897	--	XF27	91
R 桃木色 Mahogany	H 84 42	N 84	846	--	--	160

NO.:85509

H AQUEOUS HOBBY COLOR M Mr. COLOR N ACRYCION COLOR

※ Some paints may not be available in your country. Please check your local hobby shop for substitute