

Revell

ARADO Ar-240 C-2 Nightfighter

KIT 4824

1/72 SCALE

1/72 ECHELLE

ESCALA 1/72



4824R4200

When the Air Ministry commissioned a fast and powerful multipurpose aircraft in the late Thirties, the Arado 240 was already on the drawing board. This revolutionary aircraft specimen already featured a safety control system for high speeds, a pressurized cabin and remote-controlled armaments (both gun turrets were operated from the periscope sight). After numerous improvements the C series was available by March 1943. Two 1750hp DB 603 A-engines gave this machine a maximum speed of 647 km/h. Tested as a night fighter, the Ar 240 V10 (C-02 had the WT151 A with two MG 151/20 fitted to the underside of the fuselage.

READ THIS BEFORE YOU BEGIN

- Study the assembly drawings.
- Each plastic part is identified by a number.
- In the assembly drawings, some parts will be marked by a star (*) to indicate plated plastic.
- Scrape painting from areas to be cemented.
- Check the fit of each piece before cementing it in place.
- Do not use too much cement to join parts.
- Use only cement for polystyrene plastic.
- Models may be painted to match photos on box.
- Allow paint to dry thoroughly before handling parts.
- Scrape paint from areas to be cemented.
- For better paint and decal adhesion, wash the plastic parts in a mild detergent solution. Rinse and let air dry.

LESEZ CE QUI SUIT AVANT DE COMMENCER LE MONTAGE

- Etudier les schémas d'assemblage.
- Chaque pièce plastique porte un numéro d'identification.
- Sur les schémas d'assemblage les pièces dont le numéro comporte une astérisque (*) sont en plastique chromé.
- Grattez le chromage sur les surfaces à coller.
- Contrôler que chaque pièce soit bien conforme avant de la coller à sa place.
- N'utilisez pas trop de colle pour réunir les pièces.
- Utilisez uniquement une colle spéciale pour polystyrène.
- Le modèle peut être peint conformément aux photos sur la boîte.
- Laissez sécher la peinture complètement, avant de manipuler les pièces.
- Grattez la peinture sur les surfaces devant être collées.
- Pour assurer la meilleure adhésion possible de la peinture et des décalcomanies, laver les pièces de plastique avec une légère solution savonneuse. Rincer et laisser sécher à l'air.

LES ESTO ANTES DE EMPEZAR

- Estudie los dibujos de ensamblaje.
- Cada pieza de plástico se identifica por un número.
- En los dibujos de ensamblaje, algunos números de las piezas están marcados con una estrella (*) indicar plástico laminado.
- Raspe el laminado de las superficies que serán pegadas.
- Verifique que cada pieza encaje bien antes de pegar en posición.
- No use demasiado pegamento para unir las piezas.
- Use únicamente pegamento para plástico de poliestireno.
- El modelo puede pintarse de acuerdo con las fotografías de la caja.
- Permita que se seque la pintura completamente antes de tocar las piezas.
- Raspe la pintura de las superficies que serán pegadas.
- Para una mejor fijación de la pintura y de las calcomanías, lávase las piezas plásticas en una solución de detergente suave. Enjuáguese y déjese secar al aire.



DO NOT CEMENT
NE PAS COLLER
NO USE PEGAMENTO



REPEAT SEVERAL TIMES
A REPETER PLUSIEURS FOIS
REPTA VARIAS VECES



DECAL (DIP IN WATER)
DECALCOMANIE (APLONGERDANS L'EAU)
DECALCOMANIA (MOJE CON AGUA)



OTHER PARTS
NEED TO BE
READ INSTRUCTIONS

To complete this kit as shown, We recommend the following ProModeler[®] paints.

STEEL	88-0015	METALLIC	METALICO
FLAT BLACK	88-0022	NOIR TERNE	NEGRO APAGADO
GUNSHIP GRAY	88-0037	GRIS FONCE	GRIS OSCURO
LIGHT BLUE-GERMAN	88-0042	GRIS CLAIR	GRIS CLARO
INTERMEDIATE GRAY-GER	88-0045	GRIS VERT	VERDE GRISOS

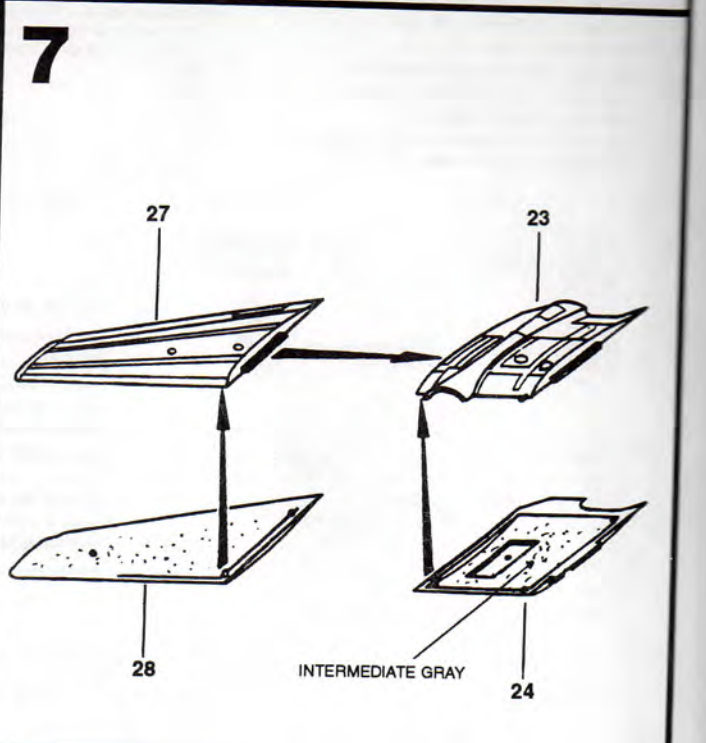
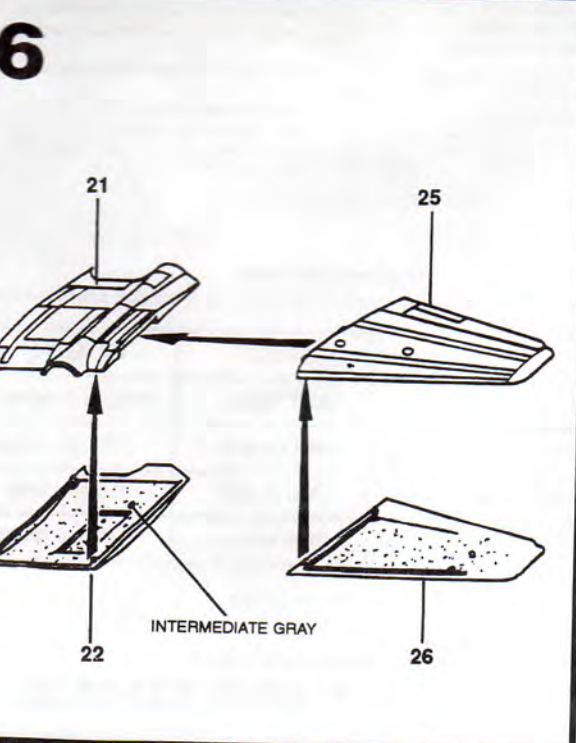
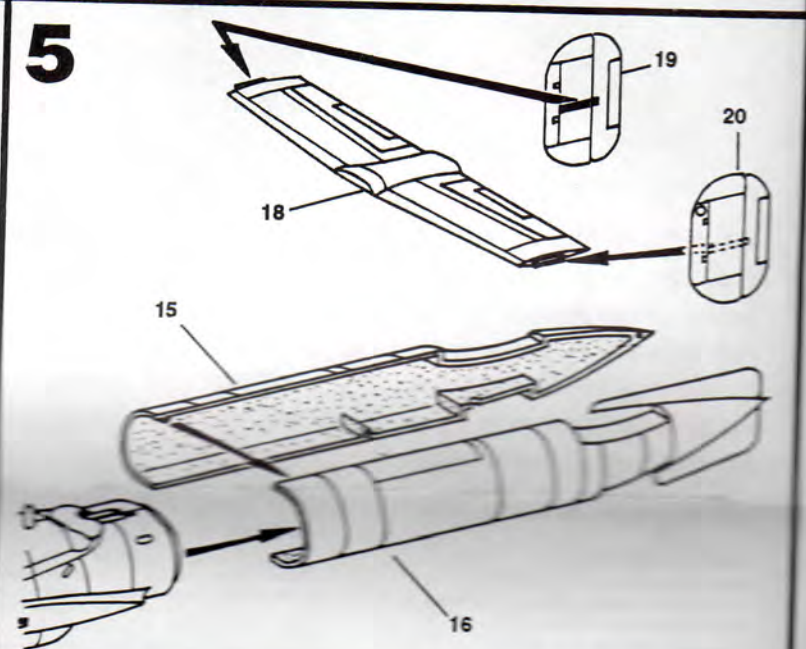
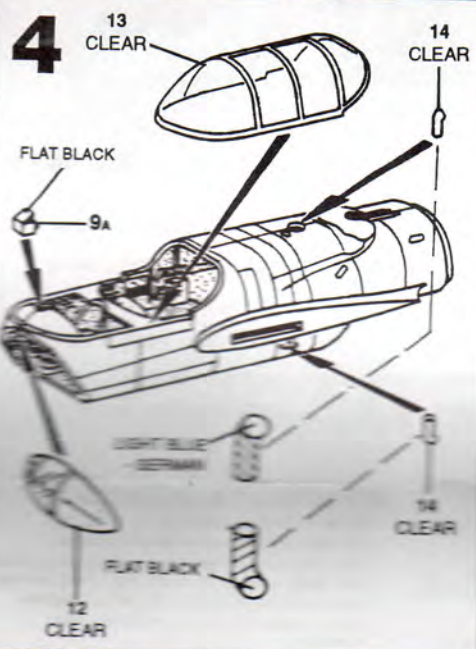
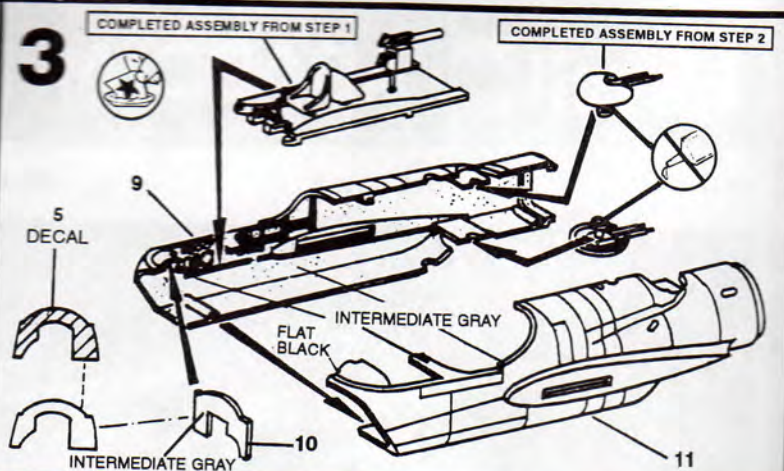
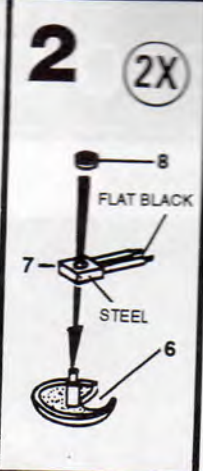
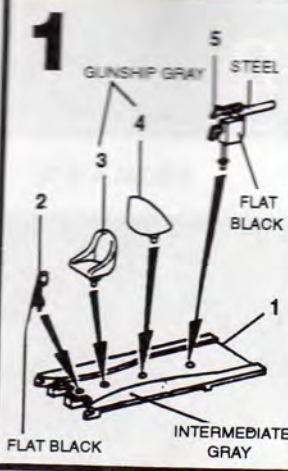
Every effort has been made to create and manufacture a model kit that is the finest available. If a part may be missing, please write to:

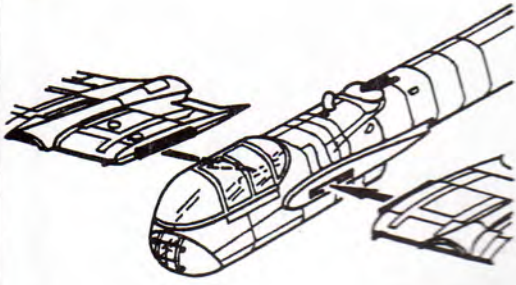
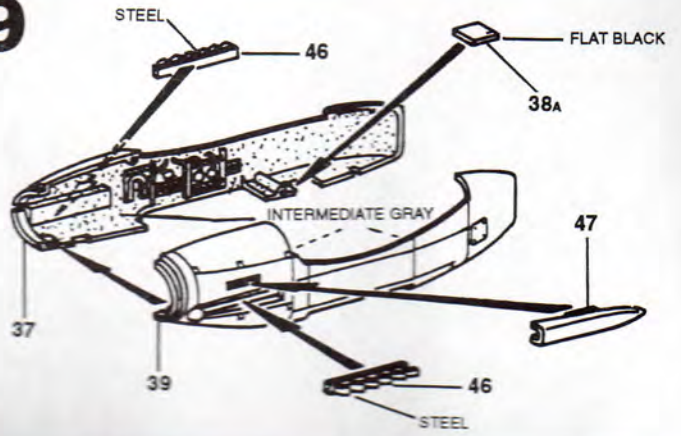
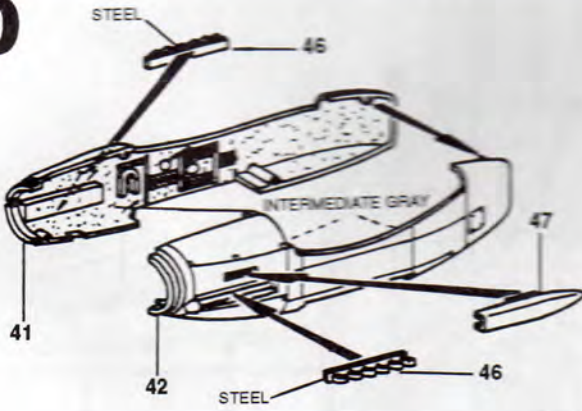
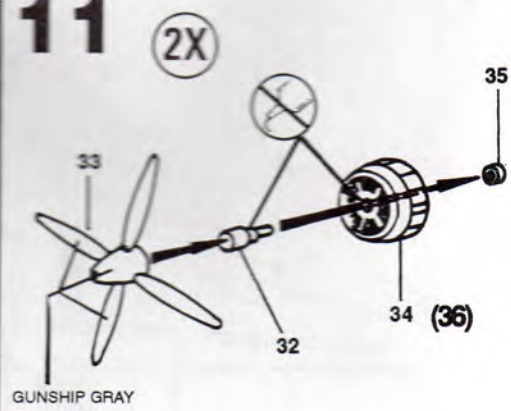
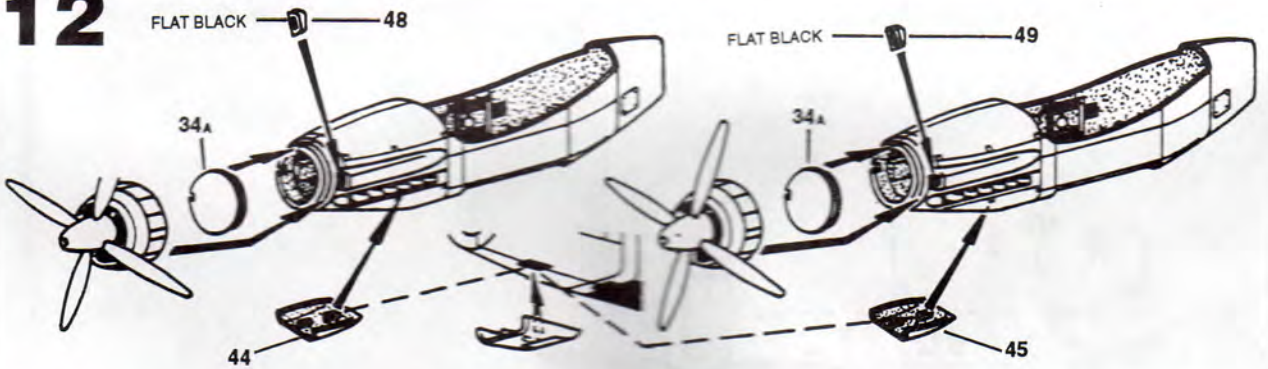
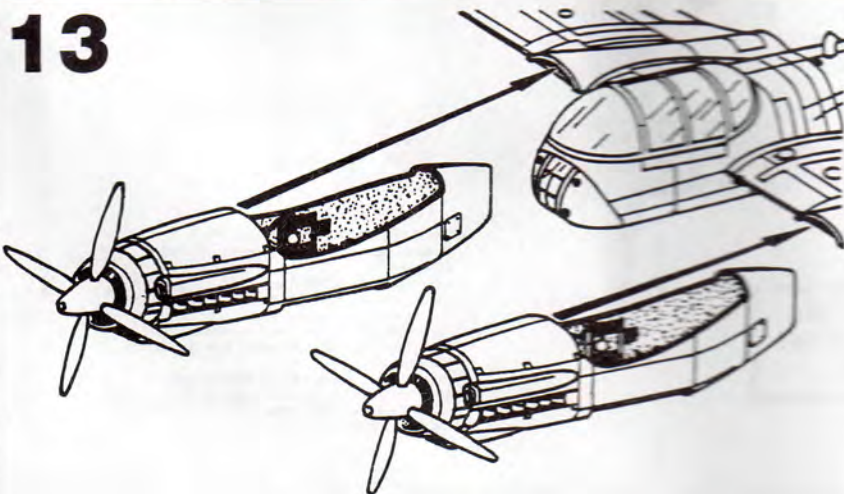
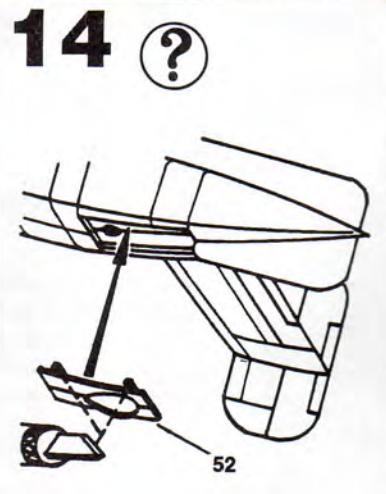
Revell-Monogram
Consumer Service Department
301 North Third Avenue
Des Plaines, Illinois 60016

Be sure to include the kit number, part number, description, and your return address.

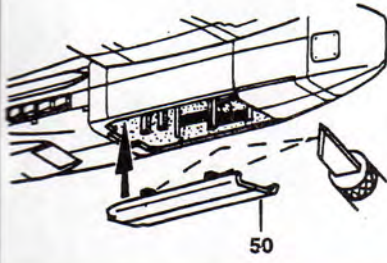
REVELL-MONOGRAM, INC. Morton Grove, IL. Copyright © 1996. All rights reserved. Made in U.S.A.

If you have any problems building this model, call our modeling tips hotline at: **(800) 833-3570**

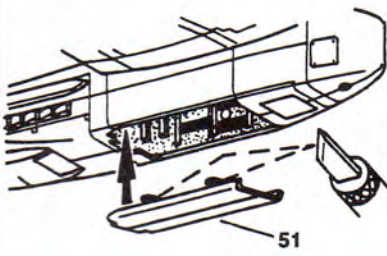


8**9****10****11****12****13****14**

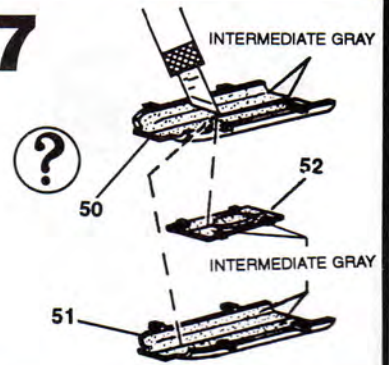
15 (?)



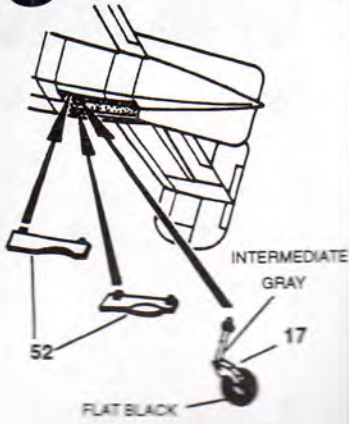
16 (?)



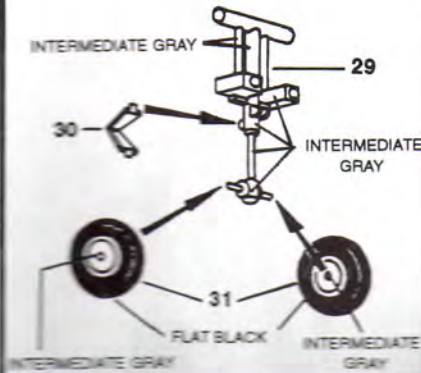
17



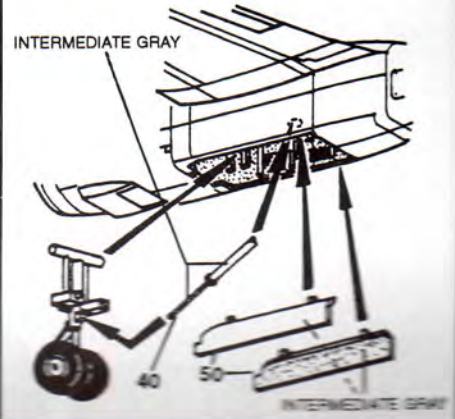
18



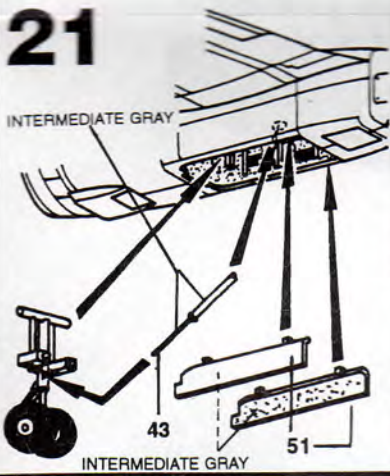
19 (2X)



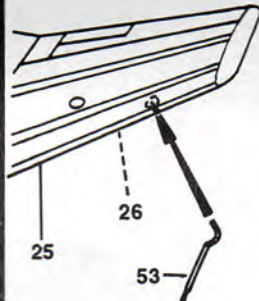
20



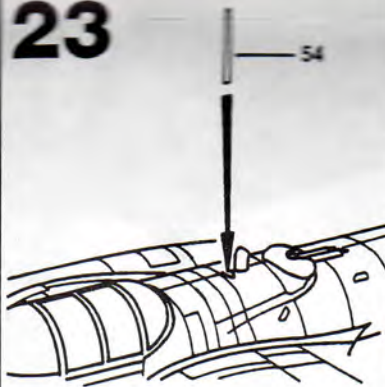
21



22



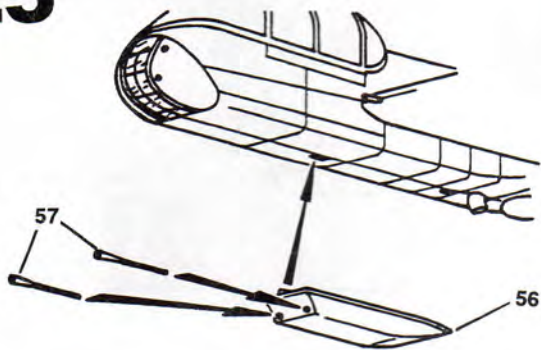
23



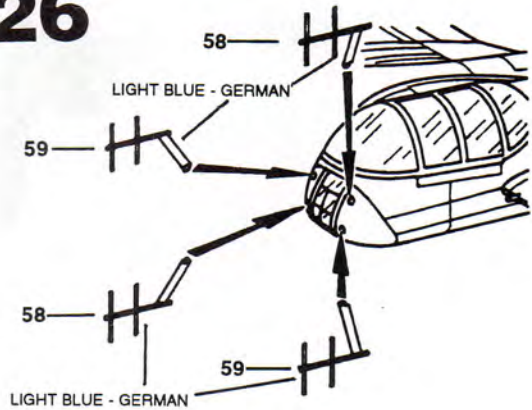
24

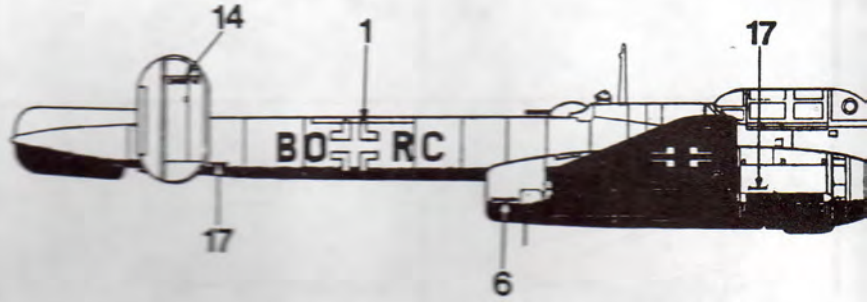


25



26

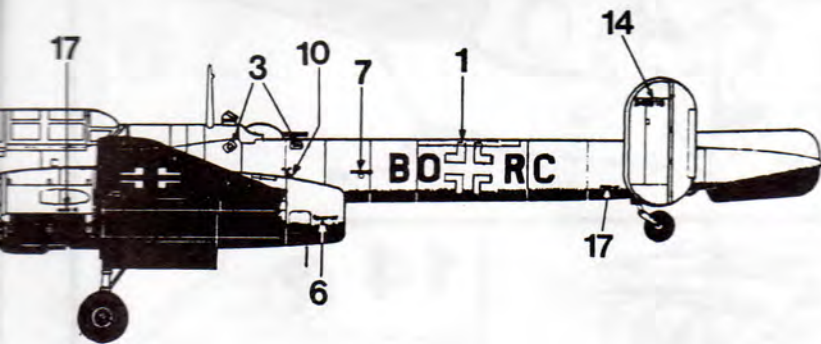
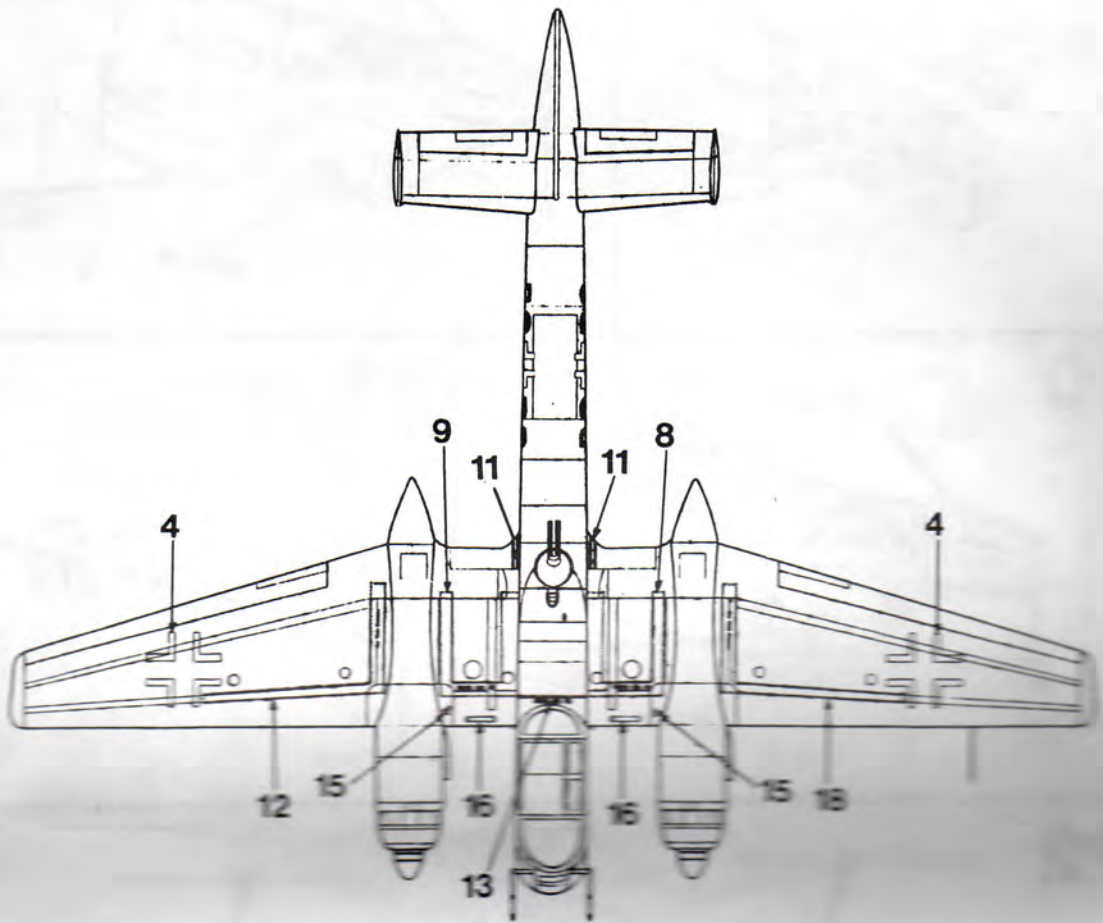




LIGHT BLUE - GERMAN

FLAT BLACK





**DECAL NOT COMPATIBLE
WITH SETTING SOLUTIONS
OR SOLVENTS**

* REMAINING PARTS MAY BE DISCARDED.
* LAS PIEZAS QUE SOBREN PUEDEN
DESCARTARSE.
* SE DEFAIRE DES PIÈCES RESTANTES.

DECAL APPLICATION INSTRUCTIONS

- 1.) Wash plastic parts in mild detergent solution. Rinse and let dry.
- 2.) Cut desired decal from sheet.
- 3.) Dip decal in water for a few seconds.
- 4.) Place wet decal on paper towel.
- 5.) Wait until decal is movable on paper backing.
- 6.) Place decal in position on model, face up and slide backing away.
- 7.) Press out air bubbles with a soft damp cloth.
- 8.) Milkiness that may appear is for better decal adhesion and will dry clear. Wipe away any excess adhesive.
- 9.) Do not touch decal until fully dry.