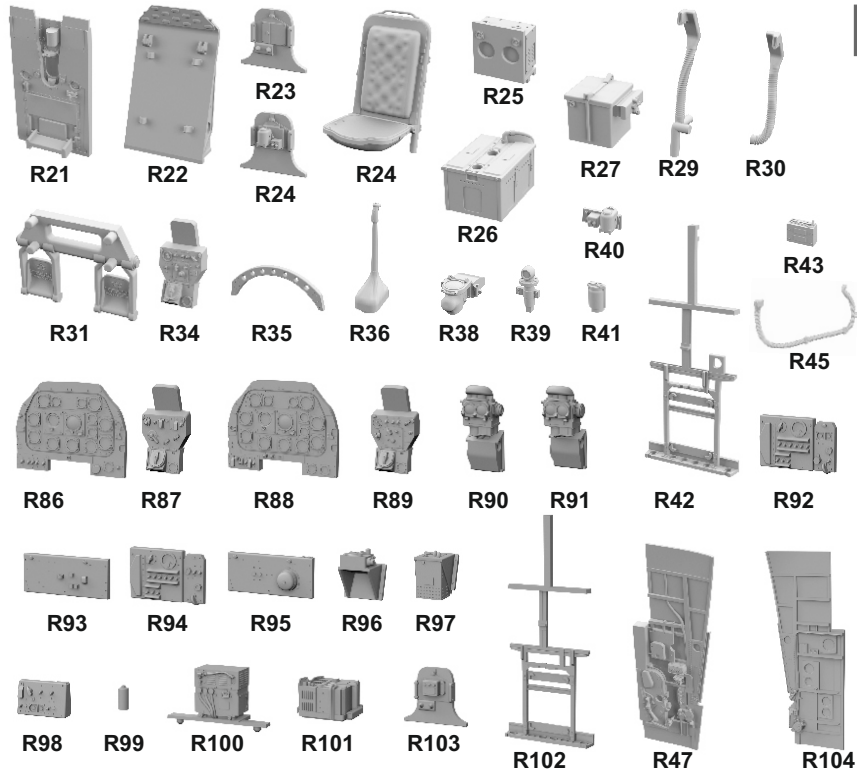
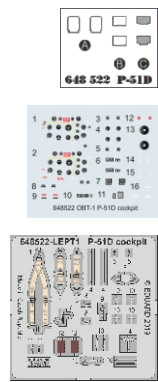


648 522 P-51D cockpit

for Eduard kit - pro stavěbnici Eduard



eduard
BRASSIN
1/48 scale

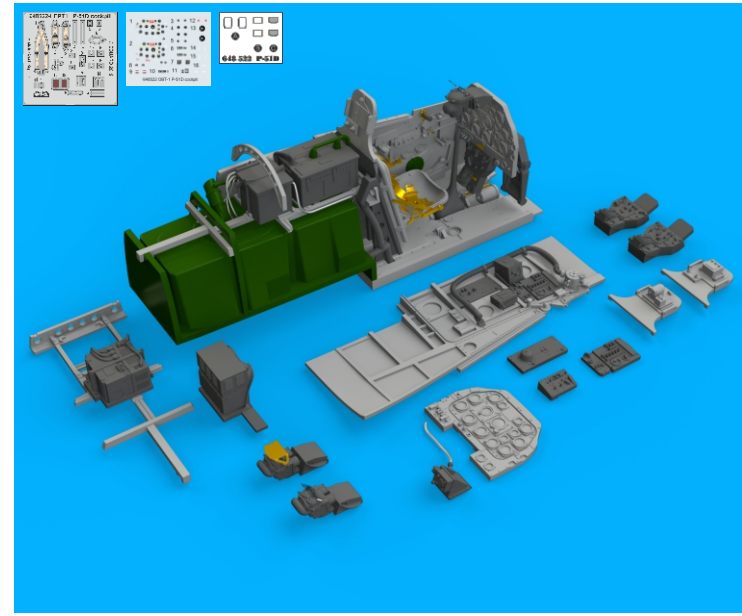


648 522 P-51D cockpit

for Eduard kit - pro stavěbnici Eduard

1/48

BRASSIN



BRASSIN

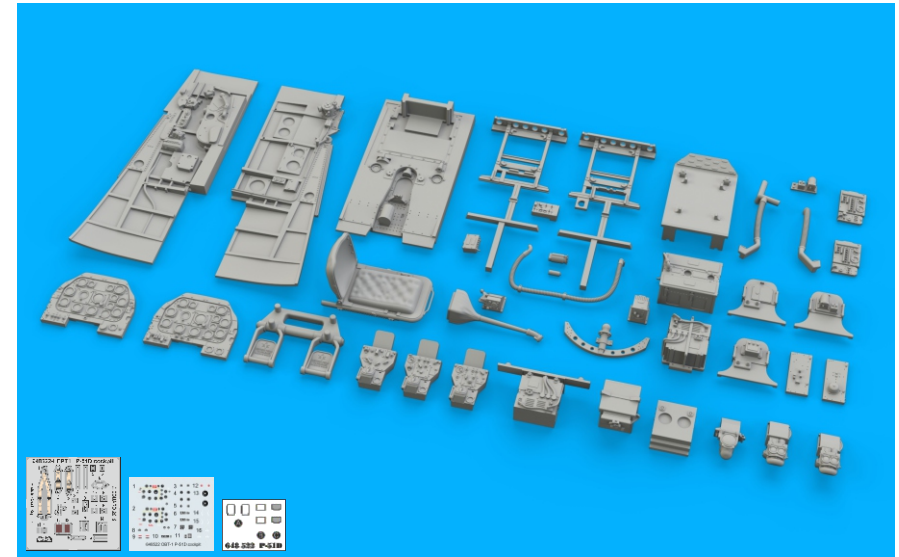
eduard

COLOURS

GSI Creos (GUNZE)			GSI Creos (GUNZE)		
AQUEOUS	Mr.COLOR		AQUEOUS	Mr.COLOR	
[H 3]	[C 3]	RED	[H 58]	[C351]	INT. GREEN
[H 4]	[C 4]	YELLOW	[H459]		SAND YELLOW
[H 8]	[C 8]	SILVER			
[H 12]	[C 33]	FLAT BLACK			
[H 27]	[C 44]	TAN			
[H 47]	[C 41]	RED BROWN			
[H 52]	[C 12]	OLIVE DRAB			
			Mr.COLOR SUPER METALLIC		
			[SM201]		FINE SILVER

This product contains metal and resin detail parts for upgrading scale plastic models. When selecting this set make sure that it is for the kit mentioned in product name as these sets are made specifically for that kit. When upgrading the model some cutting or corrections may be necessary for parts to fit accurately. **WARNING!** This set contains small and sharp parts. Work carefully in a ventilated and well-lit room. Safety glasses are recommended. This product is not suitable for children below 14 years of age.

Tento výrobek obsahuje leptané a odlévané detaily pro úpravu a vylepšení plastického modelu. Při výběru sady kovových detailů zkontrolujte, zda je určena pro model, který chcete upravit. Model, pro který je sada určena, je uveden u názvu výrobku. Pro přesnou aplikaci kovových a odlévaných dílů může být zapotřebí upravit díly upravovaného modelu. **POZOR!** Sada obsahuje malé ostré díly. Pracujte ve větrané a dobře osvětlené místnosti. Doporučujeme použití ochranných brýlí. Tento výrobek není vhodný pro děti mladší 14 let.



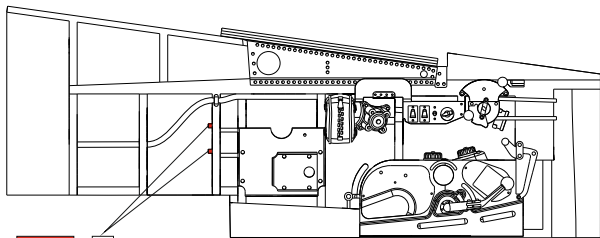
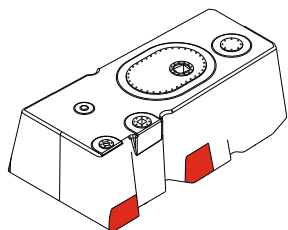
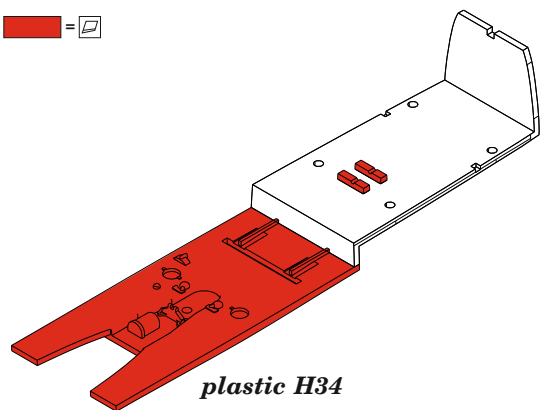
eduard
435 21 Obrnice 170
Czech Republic
www.eduard.com

www.eduard.com
39,95



BEST ~~BRASS~~ RESIN AROUND!

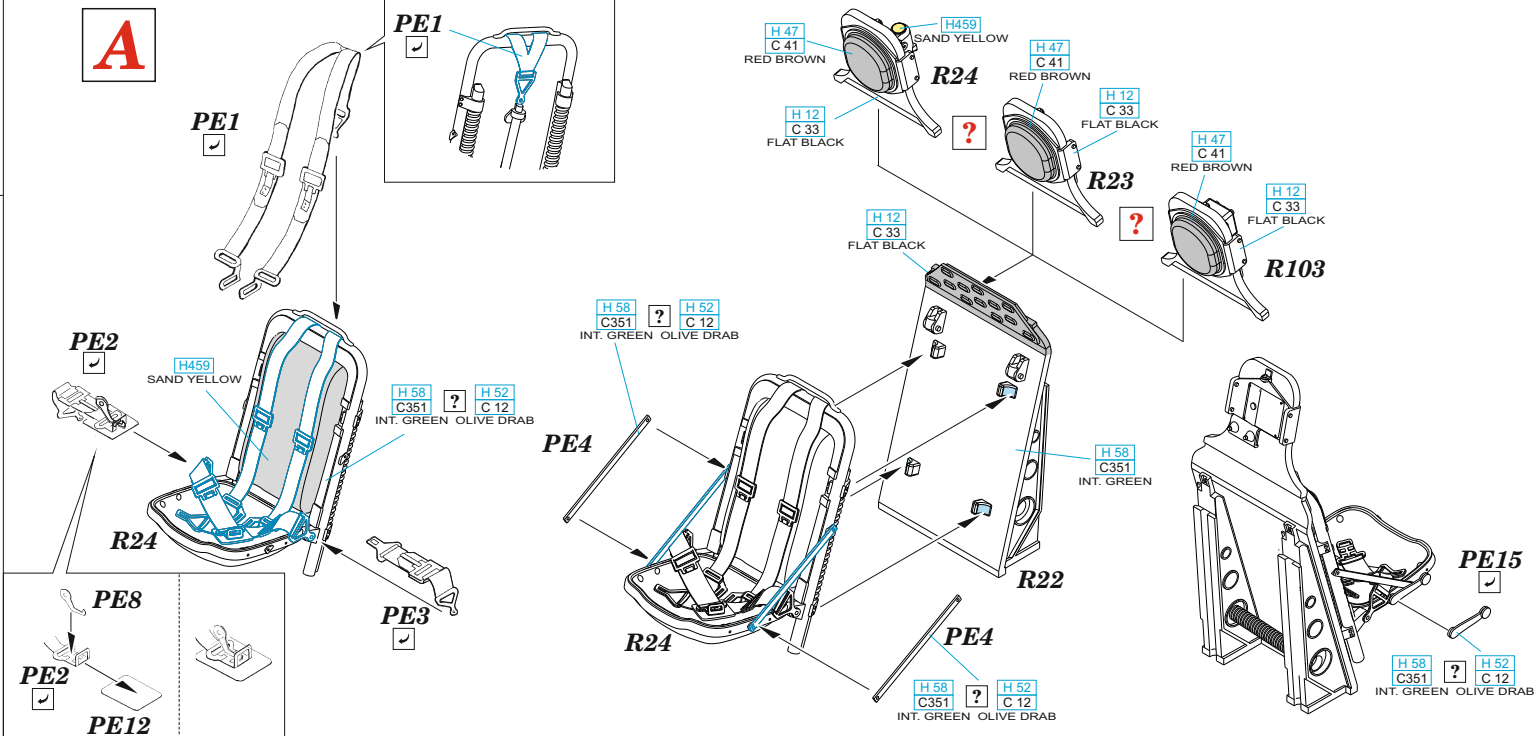
**LOOK AT THE TABLE
OF THE ALTERNATE
PARTS FIRST - pg.6**



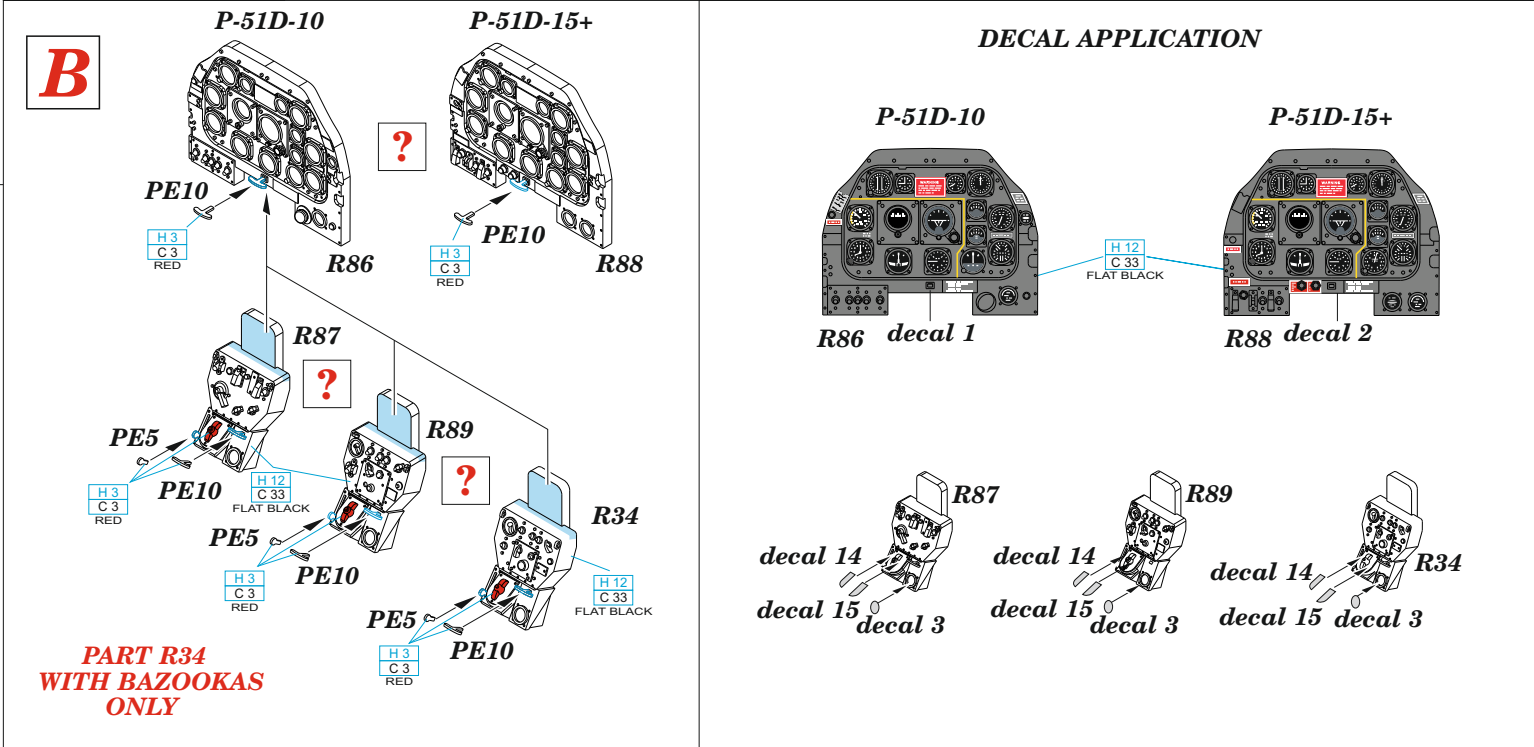
ONLY WHEN A TANK H29 IS USED

- | | | |
|---------------------------|---------------------|-------------------------------------------|
| REMOVE
ODSTRANIT | BEND
OHNOUT | SYMMETRICAL ASSEMBLY
SYMETRICKÁ MONTÁŽ |
| GRIND
OBROUSIT | OPTION
VOLBA | SCRIBE THE PANEL AND HOLES
RYTÍ |
| DRILL HOLE
VRTAT OTVOR | REPLACE
NAHRADIT | REVERSE SIDE
OTOČIT |

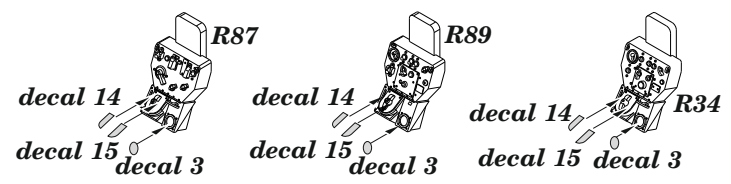
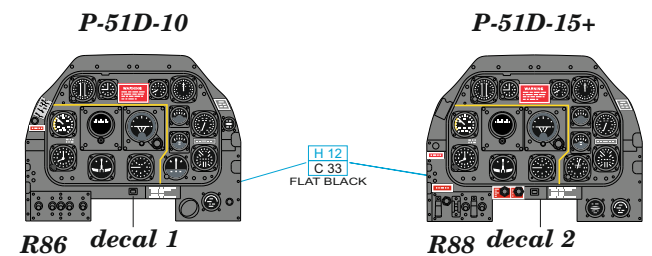
A



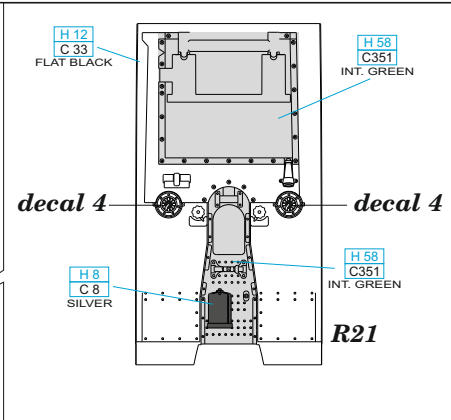
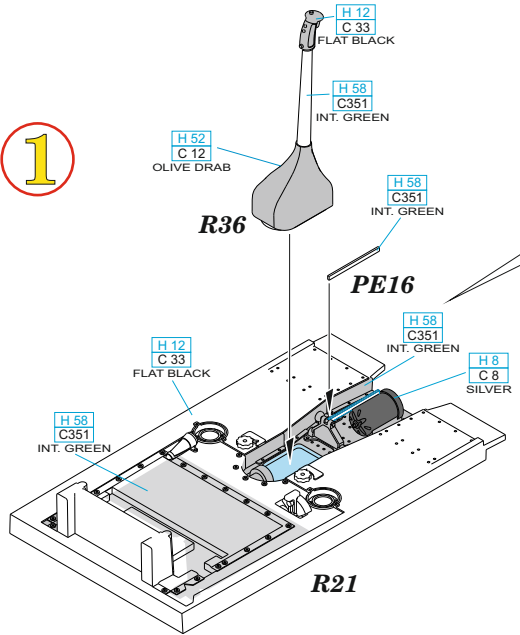
B



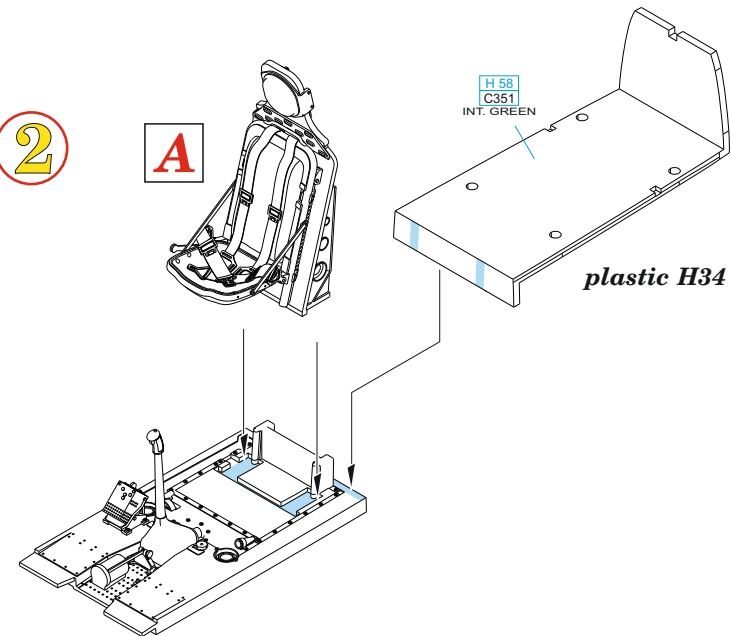
DECAL APPLICATION



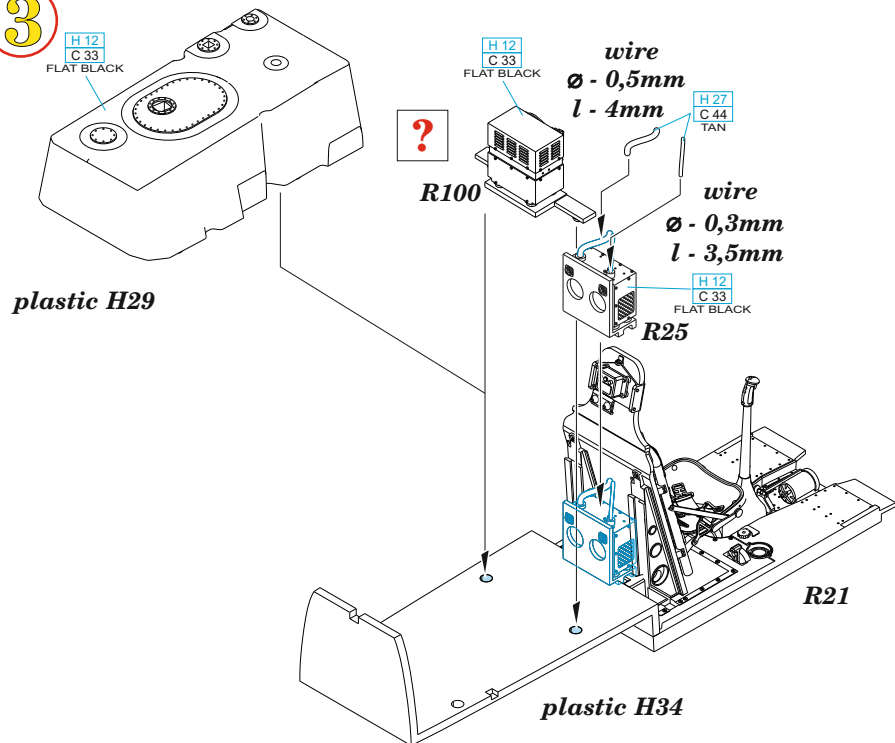
1



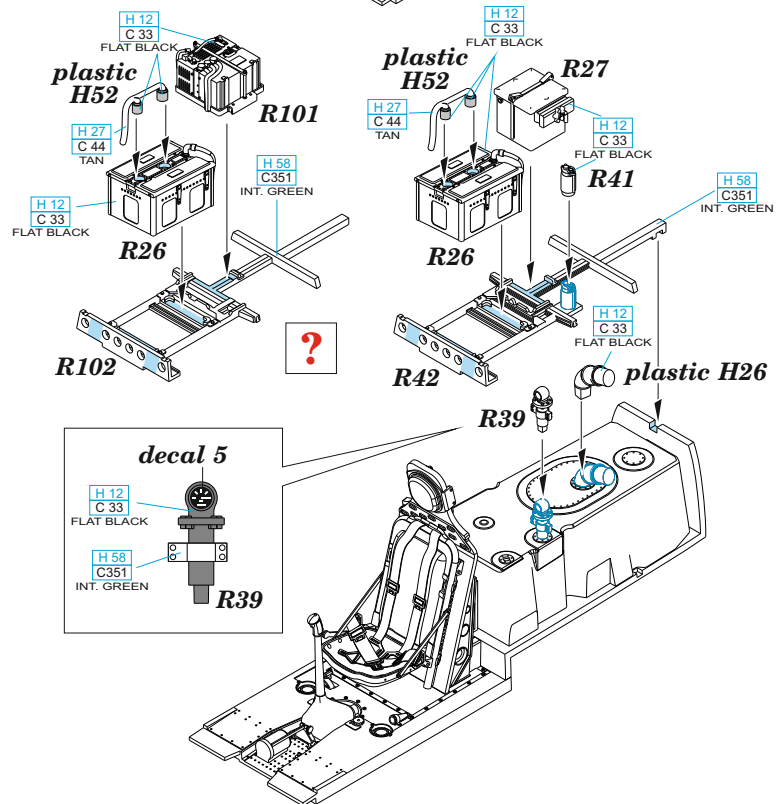
2



3



4



5

plastic H24

H 58
C351
INT. GREEN

wire
Ø - 0,35mm
l - 13mm

H 12
C 33
FLAT BLACK

H 12
C 33
FLAT BLACK

R29

H 58
C351
INT. GREEN

6

plastic H11

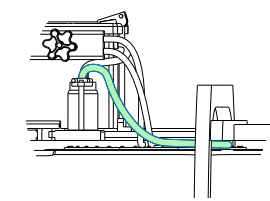
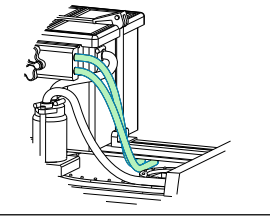
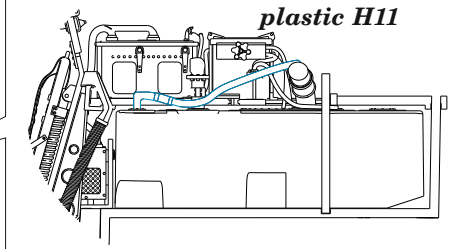
H 12
C 33
FLAT BLACK

2 pcs. wire
Ø - 0,3mm
l - 8mm

wire
Ø - 0,35mm
l - 9,5mm

R30

H 12
C 33
FLAT BLACK



7

decal 12

SM201
FINE SILVER

H 4
C 4
YELLOW

PE7

PE9

H 12
C 33
FLAT BLACK

?

R99

H 12
C 33
FLAT BLACK

PE14

PE11

H 3
C 3
RED

H 12
C 33
FLAT BLACK

plastic H14

PE13

H459
SAND YELLOW

R47

R40

H 12
C 33
FLAT BLACK

WITH PART R23 OR R103 ONLY

DECAL APPLICATION

SM201
FINE SILVER

H459
SAND YELLOW

decal 6

H 12
C 33
FLAT BLACK

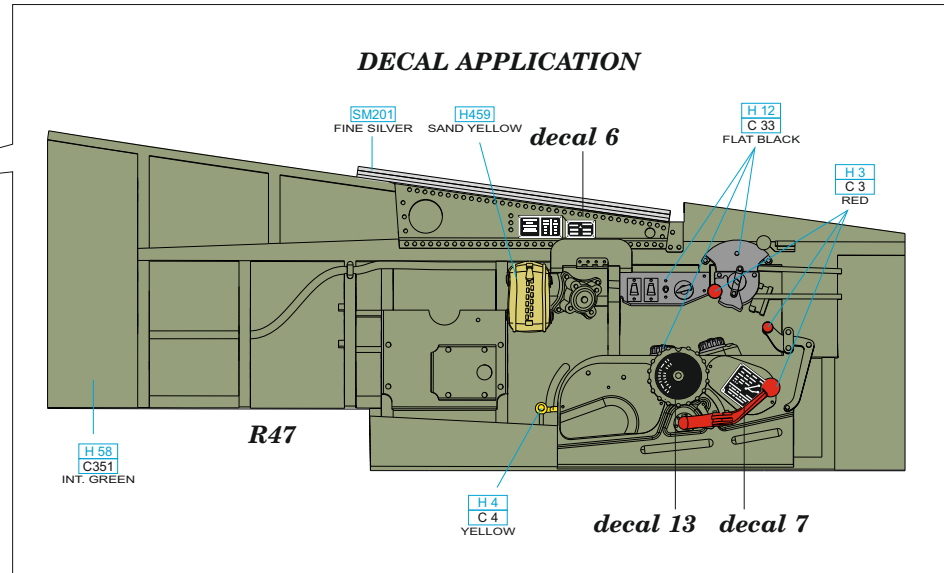
H 3
C 3
RED

R47

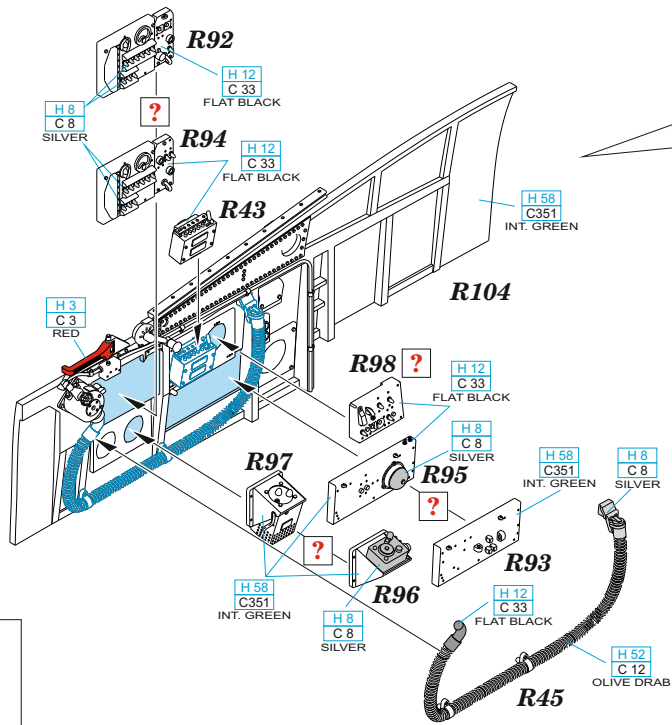
H 58
C351
INT. GREEN

H 4
C 4
YELLOW

decal 13 decal 7

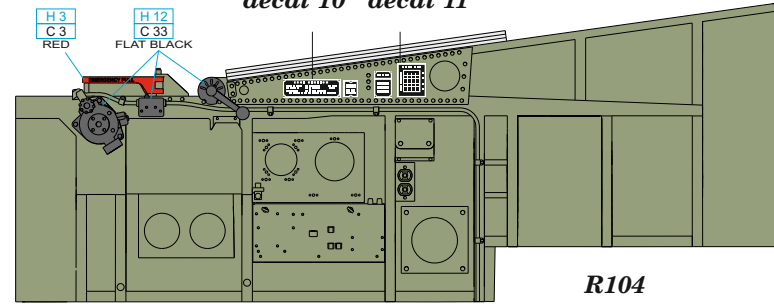


8



DECAL APPLICATION

decal 10 decal 11

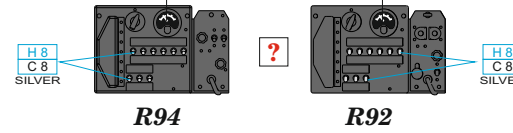


R104

decal 8

decal 8

decal 9



R94

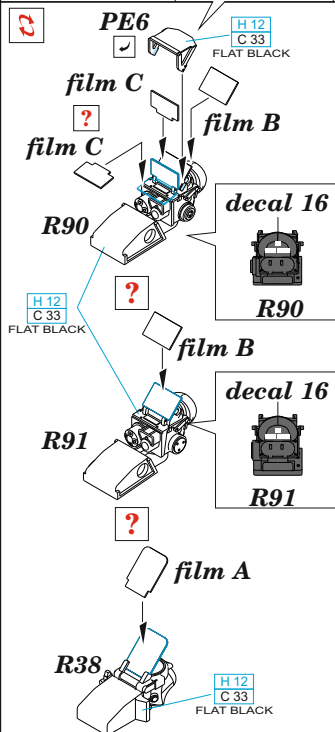
R92

R43

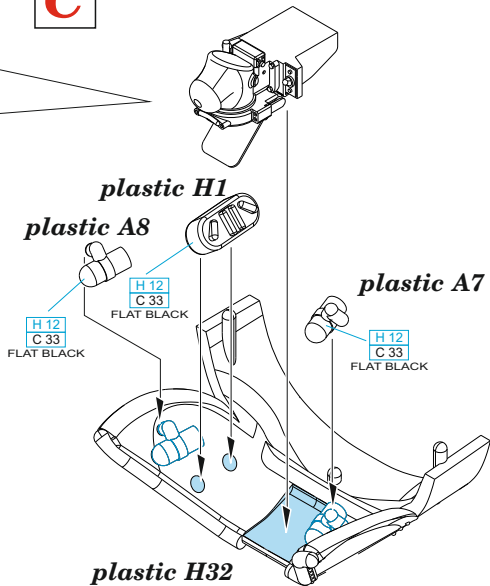
decal 16



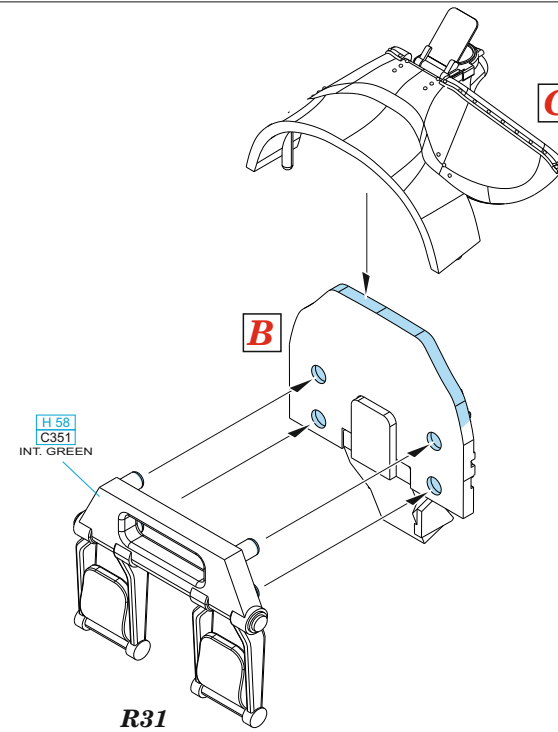
PE6



C



D

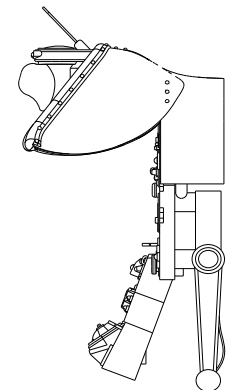


C

B

R31

CORRECT POSITION



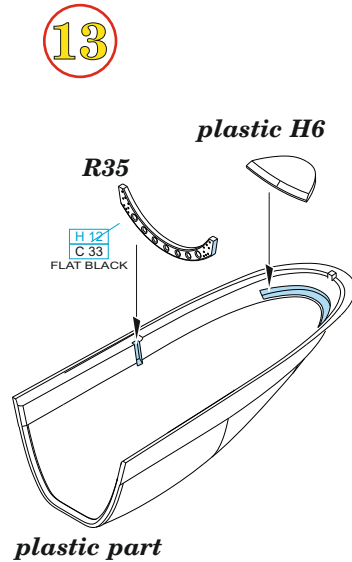
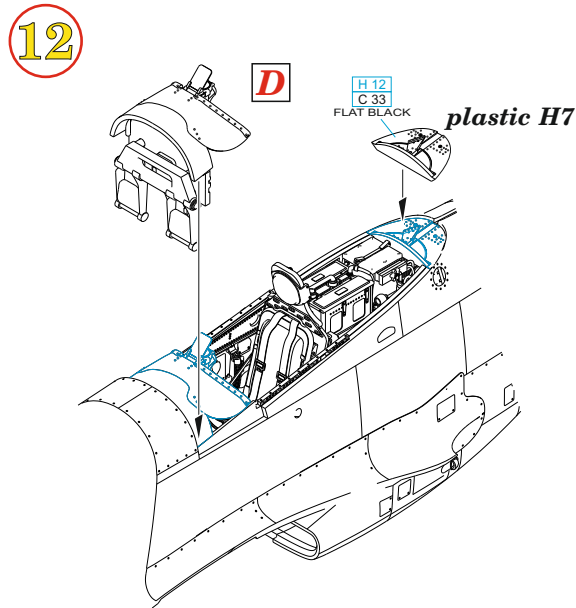
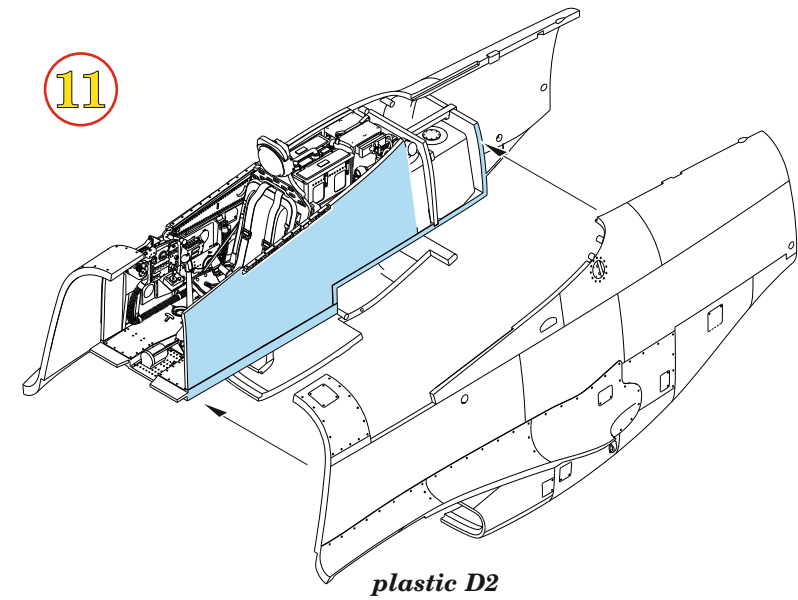
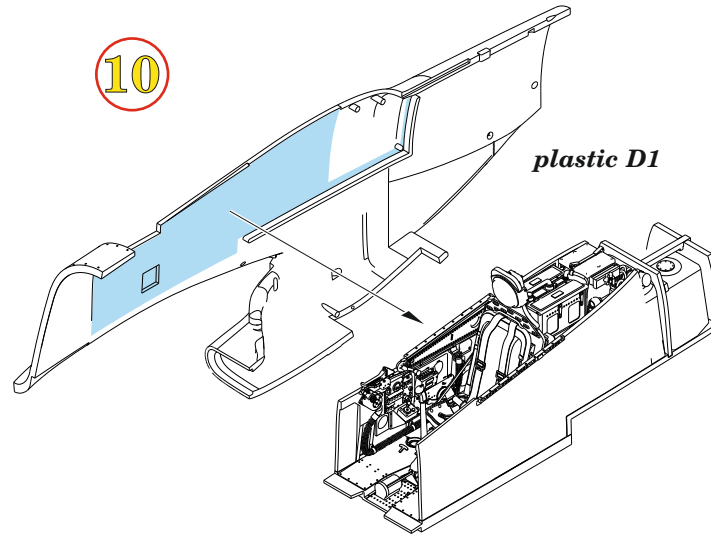
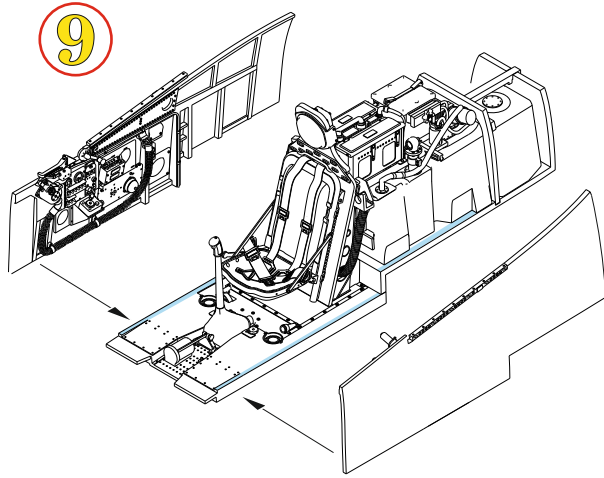


TABLE OF ALTERNATE PARTS

P-51D-10	A	$R86 + (R87 \text{ ? } R34) + R38 + R97 + R92 + R93 + (PE9 + R99 \text{ ? } PE14) + (R23 \text{ ? } R24) + R42 + R27 + R41 + H29 + H26 + H11 + R39$
	B	$R88 + (R89 \text{ ? } R34) + (R90 + PE6 \text{ ? } R91) + R96 + R95 + (R92 \text{ ? } R94) + PE9 + R99 + (R103 \text{ ? } R24) + R42 + R27 + R41 + H29 + H26 + H11 + R39$
P-51D-15+	C	$R88 + (R89 \text{ ? } R34) + (R90 + PE6 \text{ ? } R91) + R96 + R95 + R94 + R98 + PE9 + R99 + (R103 \text{ ? } R24) + R102 + R101 + H29 + H26 + H11 + R39$
	D	$R88 + (R89 \text{ ? } R34) + (R90 + PE6 \text{ ? } R91) + R96 + R95 + R94 + R98 + PE9 + R99 + (R103 \text{ ? } R24) + R42 + R27 + R41 + R100$