

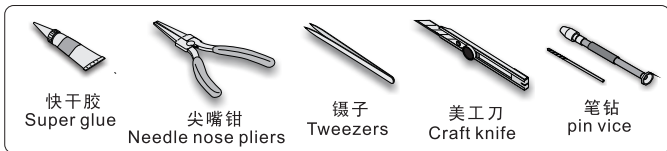
1/35 MILITARY MINIATURE VEHICLE UPGRADE SERIES PE35254

Russian PT-76 Amphibious Tank Mod.1951

俄罗斯PT-76水陆坦克1951年型改造件

[For TRUMPETER 00379]

推荐使用工具 RECOMMENDED TOOLS



↑
安装
install

↩
折叠
bend

A1
改造件零件编号
PE/resin part number

B12
原零件编号
kit part number

C22
被替换的原零件编号
replaced kit part number

✂
切除
remove

↪
弧度卷曲
radial bending

⚪
钻孔
drill

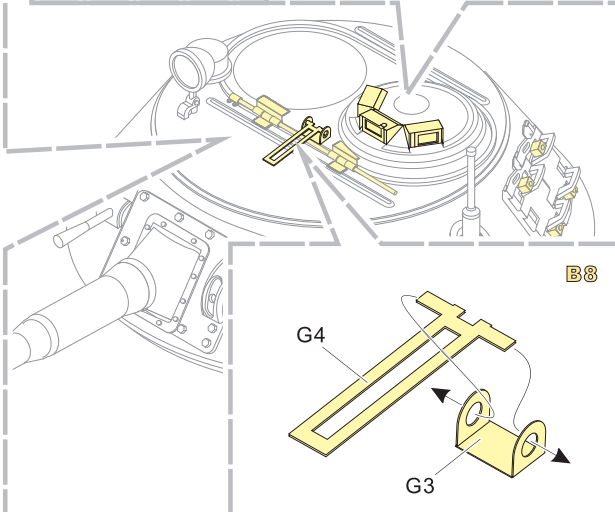
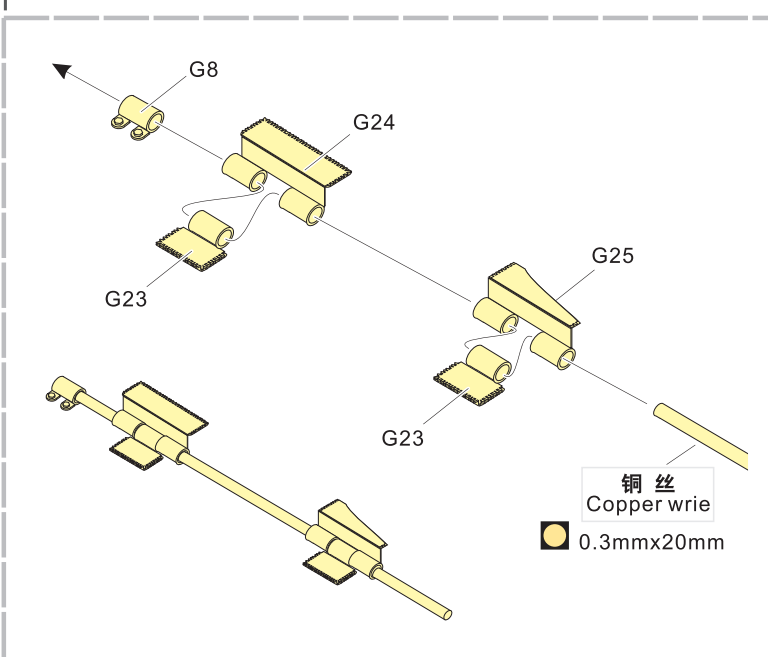
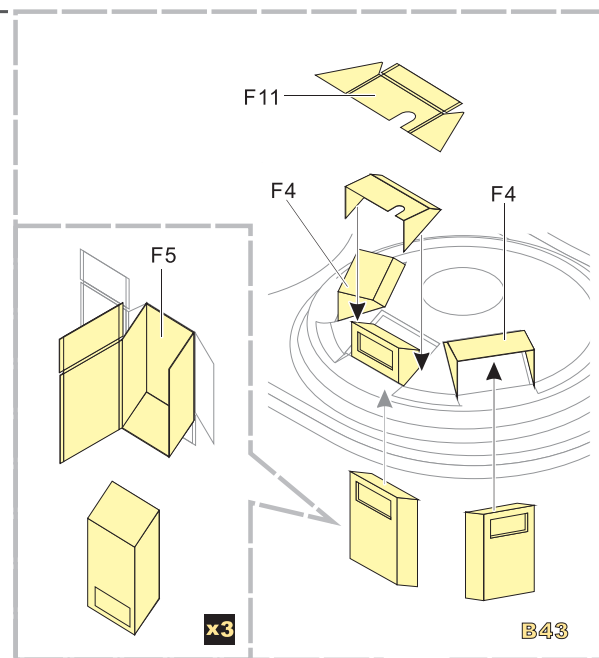
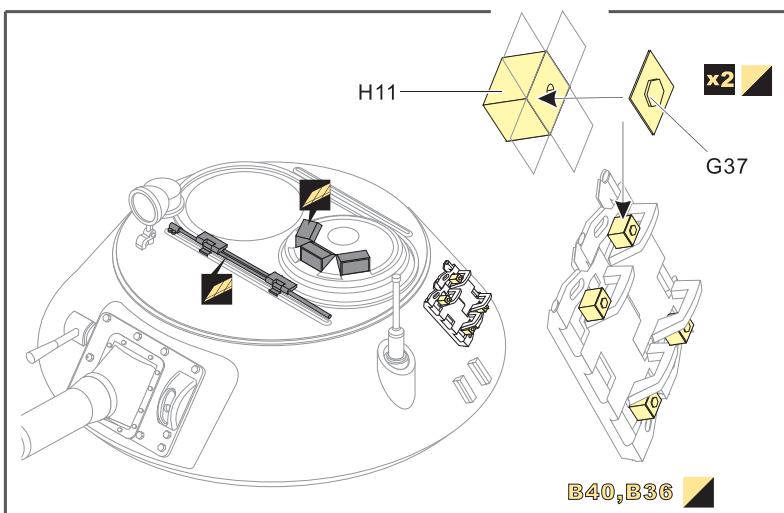
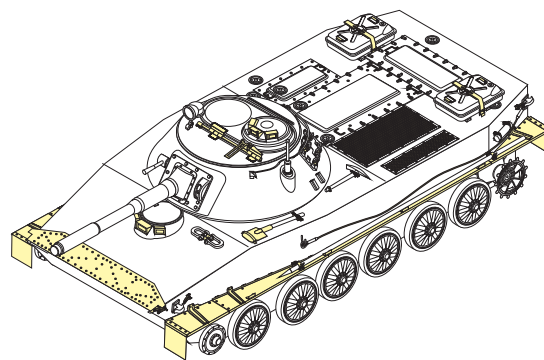
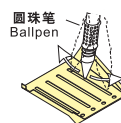
x2
制作若干组
multiple assembly

◼
另一侧相同制作
repeat on opposite side

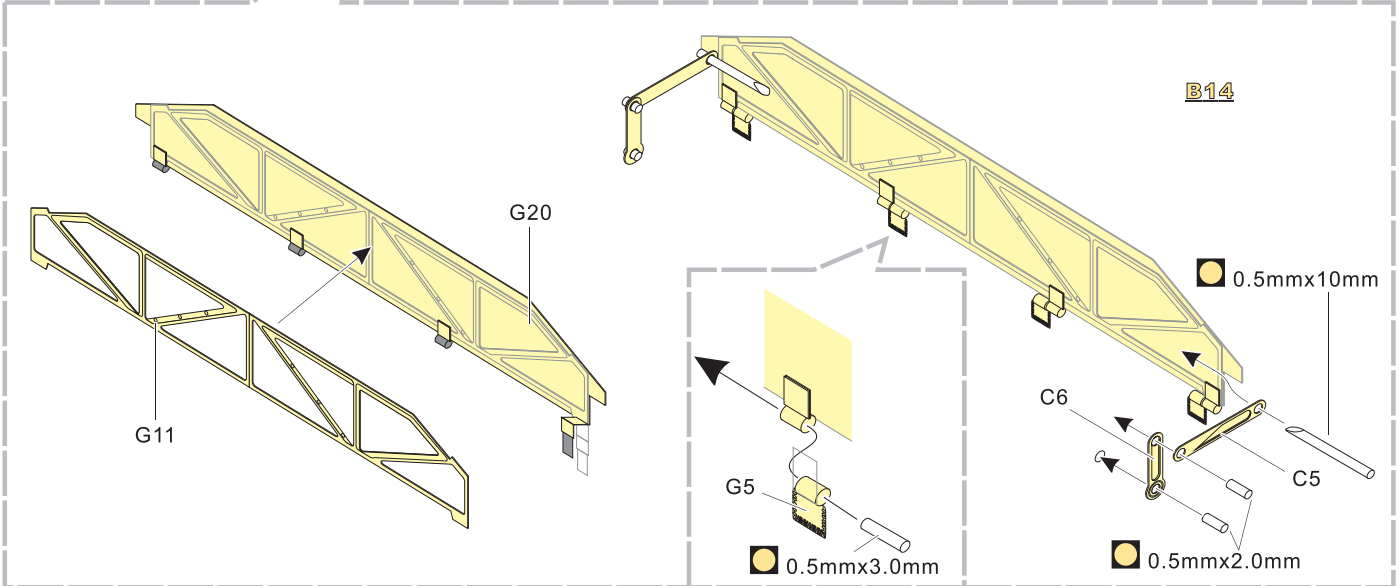
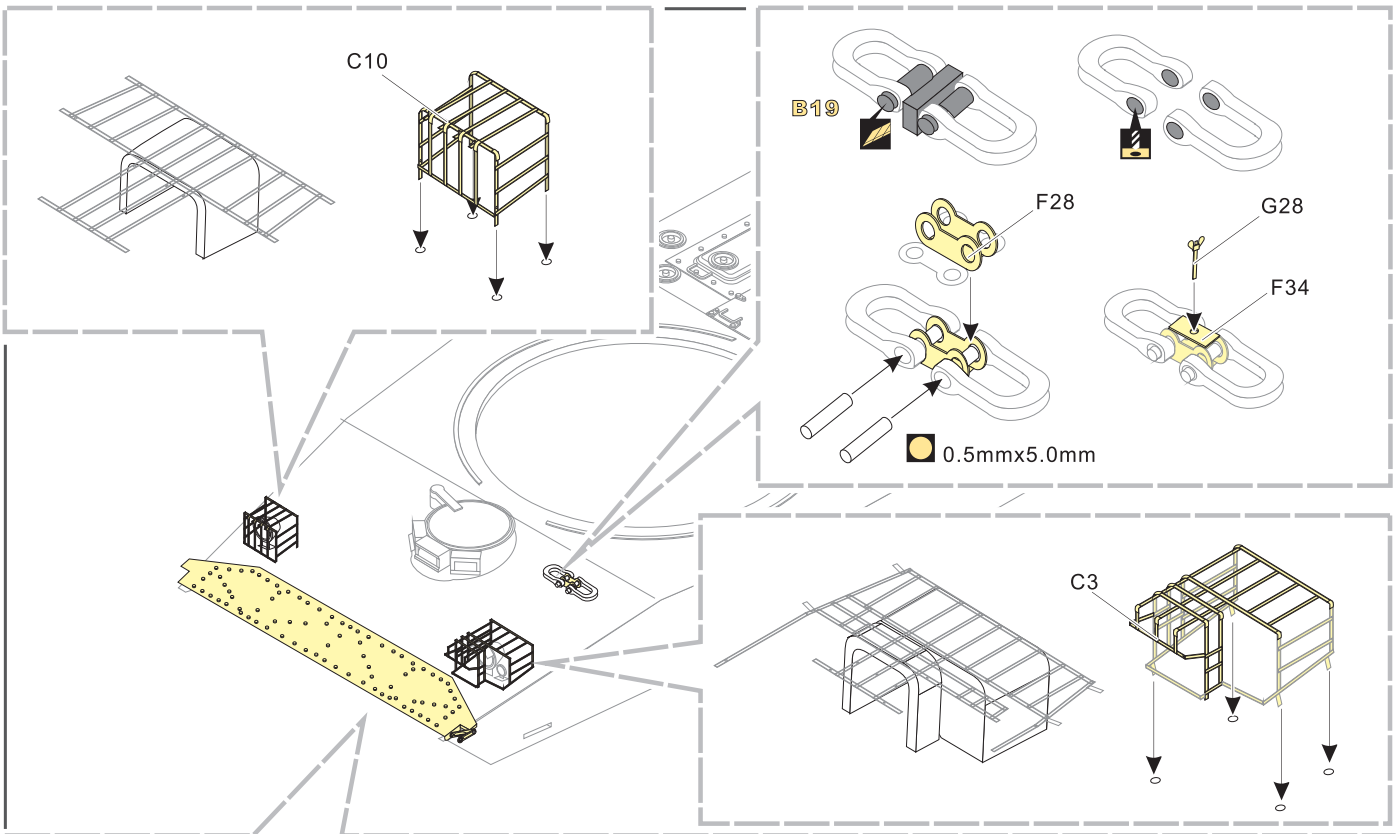
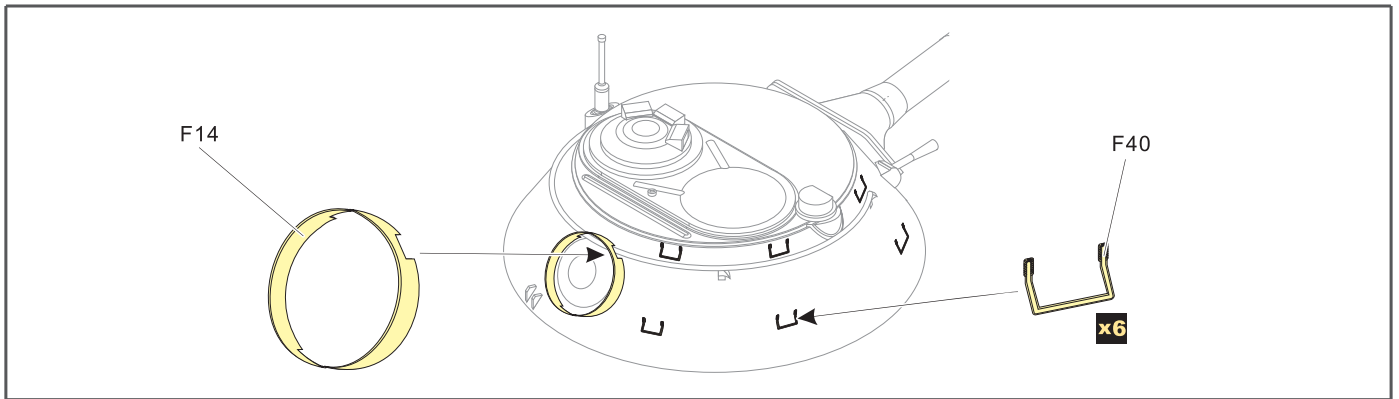
●
用胶棒制作
make from plastic rod

↓
用尖端在凹槽处冲压
use penpoint to press on the dent

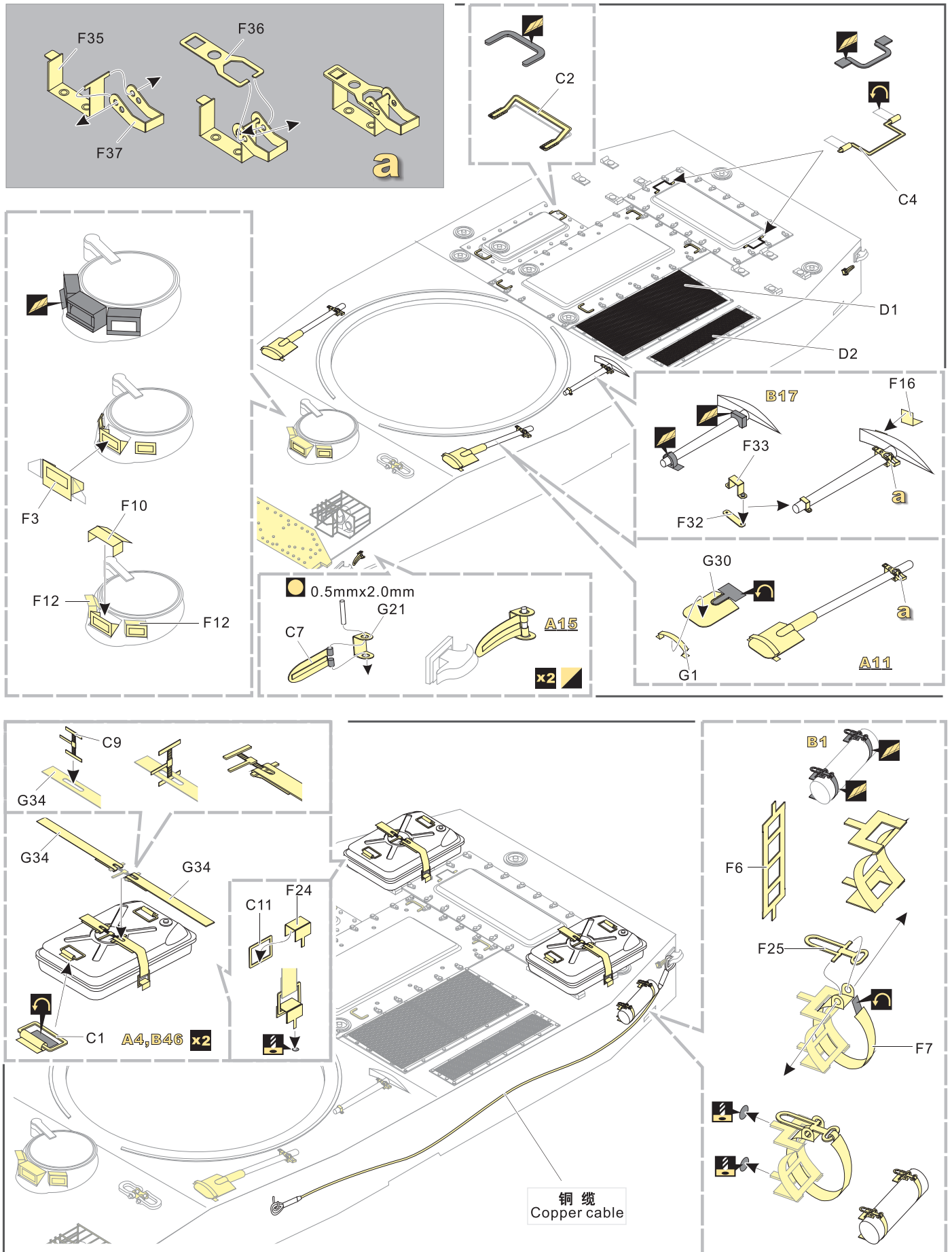
蚀刻片零件内侧面向上
PE part inboard side turn up
用笔尖在凹槽处刮
Use penpoint scratch on the flute



1/35 MILITARY MINIATURE VEHICLE UPGRADE SERIES PE35254



1/35 MILITARY MINIATURE VEHICLE UPGRADE SERIES PE35254



1/35 MILITARY MINIATURE VEHICLE UPGRADE SERIES PE35254

