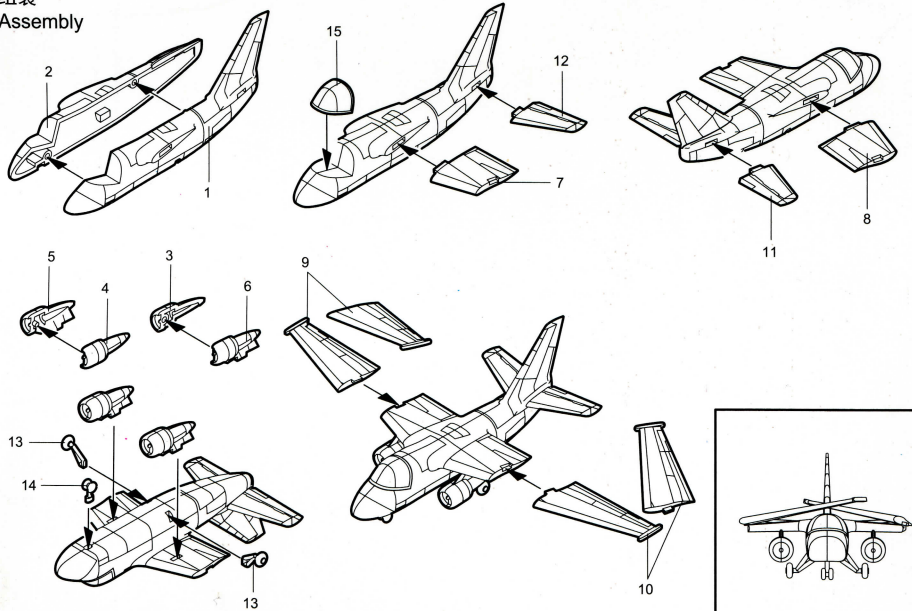
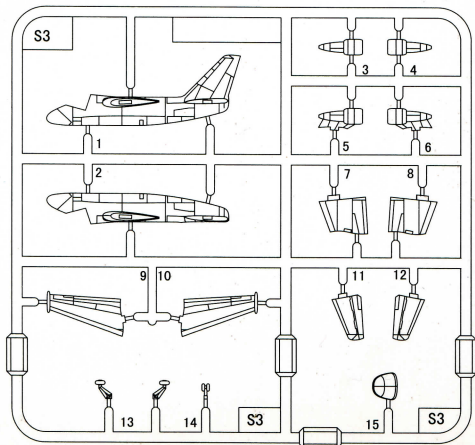


组装
Assembly



部品图
Parts



贴纸和涂装请参照侧图
Marking and painting refer to profiles.

