

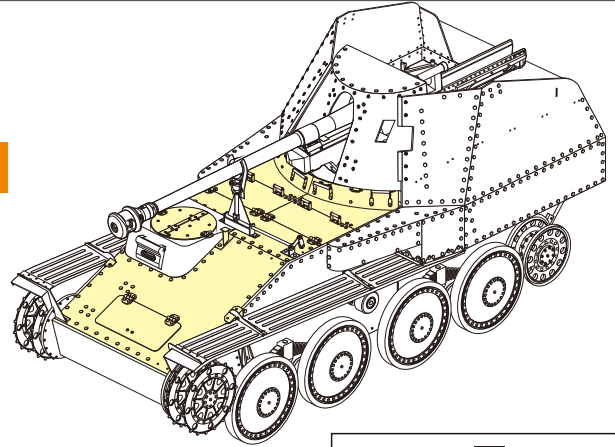
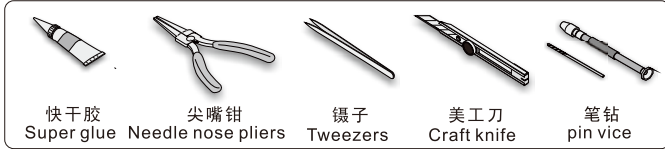
1/35 MILITARY MINIATURE VEHICLE UPGRADE SERIES PE35199

# WWII German Marder III Ausf.M Initial Production Upper hull

## 二战德军黄鼠狼III M初期型车体上部装甲改造件

[For DRAGON 6464]

### 推荐使用工具 RECOMMENDED TOOLS

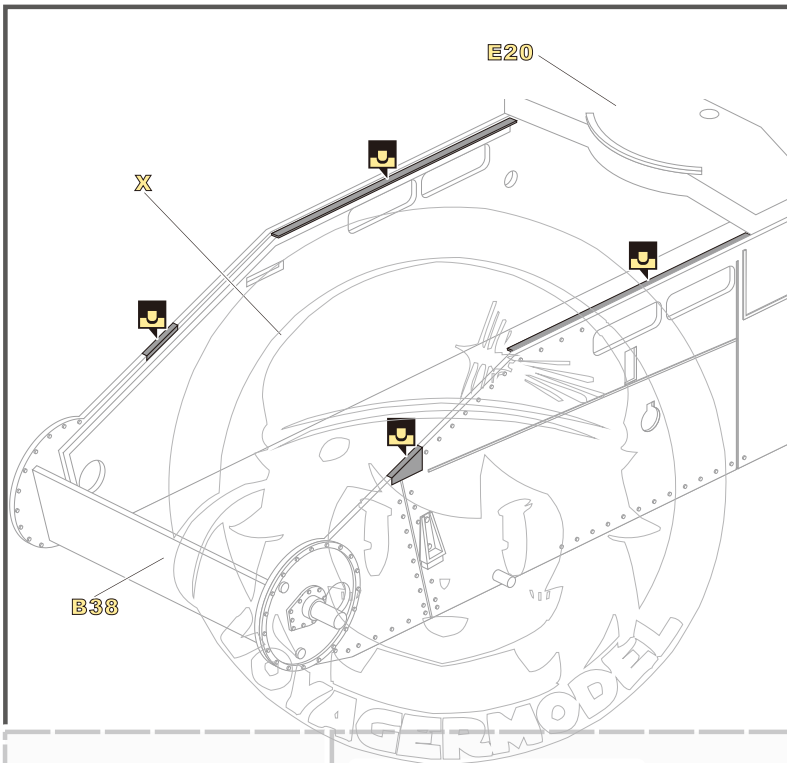


- 安装  
install
- 折叠  
bend
- A1**  
改造件零件编号  
PE/resin part number
- B12**  
原零件编号  
kit part number
- C22**  
被替换的原零件编号  
replaced kit part number
- 另一侧相同制作  
repeat on opposite side
- 切除  
remove
- 打磨  
grind off
- 弧度卷曲  
radial bending
- 制作若干组  
multiple assembly
- 选择安装  
alternative
- 钻孔  
drill
- 用胶棒制作  
make from plastic rod

用尖端在凹槽处冲压  
use penpoint to press on the dent

蚀刻片零件内侧面向上  
Put the part upside down

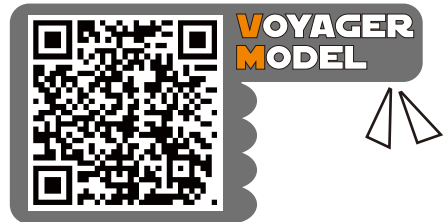
用笔尖在凹槽处刺  
Use penpoint to press on the dent



**VOYAGERMODEL®** The Best Upgrade Solution 无微不至 极尽享受

Recommended item	
PE35190	WWII German Marder III Ausf.M Initial Production Basic
PE35191	WWII German Marder III Ausf.M Initial Production Armour plate
Pe35192	WWII German Marder III Ausf.M Floor & Ammunition Stowage
PE35232	WWII German Flakpanzer 38(t) "Gepard"fenders
PEA080	WWII German Marder III M/H 75mm Ammo and Shelves
VBS0102	WWII German 75mm Pak40 Barrel(Early version)
VBS0103	WWII German 75mm Pak40 Barrel(Mid version)
VBS0104	WWII German 75mm Pak40 Barrel(Late version)
VBS0304	WWII German 75mm Pak40 Ammunition

[Http://www.voyagermodel.com/productdetails.asp?itemid=PE35199](http://www.voyagermodel.com/productdetails.asp?itemid=PE35199)



**VOYAGER  
MODEL**



更多PE35199样品照片参考请扫一扫  
MORE PICTUER OF PE 35199  
REFERENCE SCAN HERE

**x12 a**

**b**

**G5**

1/35 MILITARY MINIATURE VEHICLE UPGRADE SERIES PE35199

