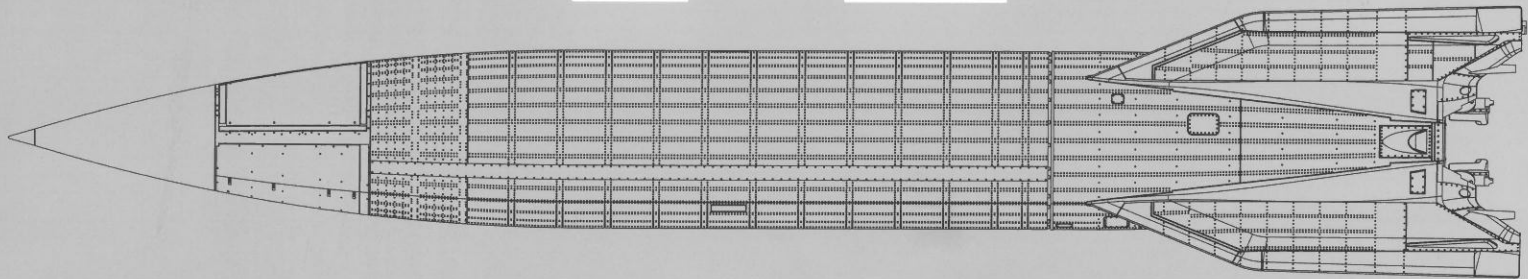


WWII German Single Stage Ballistic Missile

V-2



The Aggregat 4, or V-2 (German Vergeltungswaffe 2, "Retribution Weapon 2") guided missile, was among Nazi Germany's most important technological achievements during World War II, and was among the most feared weapons of mass destruction before the nuclear age. These were the first long-range ballistic missiles to be used in war, ultimately inspiring the infamous 'SCUD' missiles of the Soviet Union during the Cold War. Along with its reputation of death & destruction, the V-2 made its mark when it became the first man-made object in history to exit the Earth's atmosphere into space.

At the Peenemünde Army Research Center, the V-2 was designed by the now famous German rocket engineer Werner Von Braun, who later helped the USA put men on the moon. Powered by a mixture of liquid propellants, the 27,600 lb (12,500 kg) V-2 was launched from mobile Meillerwagens to avoid destruction from the enemy, with over 3000 units being fired against the Allies during the war (the first target being London). The rocket was 45' 11" (14M) in length, with a diameter of 5'5" (16.5m), and carried a warhead weighing 2200 lbs (100kg) which detonated upon impact. The V-2 reached a speed of 1,790 mph (2,880 km/h) before hitting the target, and was virtually undetectable before impact. The V-2 was responsible for the deaths of an estimated 9,000 civilians and military personnel, while some 12,000 - 20,000 forced laborers and concentration camp prisoners died during the production of these weapons.

After the end of WWII, the victors rushed in to collect as many rockets, guided missiles & professional personnel as possible. The USA gained the majority of the personnel (including Werner Von Braun), as well as spare parts to produce some 80 rockets, while the Soviet Union captured the production facility, enabling them to build their own production facility inside the U.S.S.R. These spoils helped the U.S.A, the U.K. and the U.S.S.R. to develop their own rockets & missiles, ultimately putting men into space and carrying the most awesome weapons that humanity has ever seen.

READ BEFORE ASSEMBLY

CAUTION

- Read carefully and fully understand the instructions before commencing assembly. A supervising adult should also read the instructions if a child assembles the model.
- When assembling this kit, tools including knives used. Extra care should be taken to avoid personal injury.
- Keep out of reach of small children. Children must not be allowed to suck any part, or pull vinyl bag over their heads.



Instant Glue
for Metal



Remove

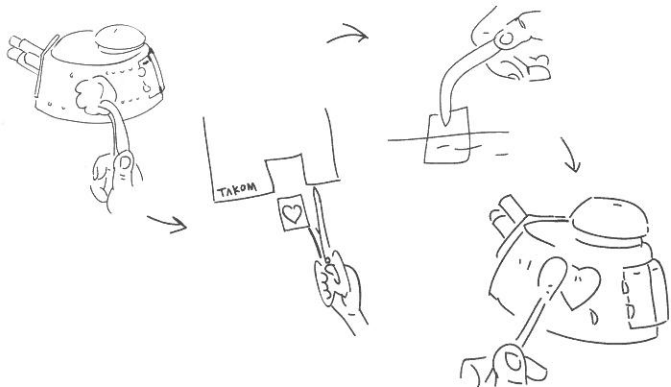
PAINTS REQUIRED

Color info and profiles by Mig Jimenez

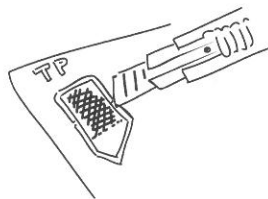
A.MIG.001	Oligrun Opt.2	A.MIG.018	Dunkelgelb (Mid War)	A.MIG.014	Ratbraun	A.MIG.011	Schokobraun
A.MIG.017	Craneweiß	A.MIG.009	Satin Varnish	A.MIG.032	Satin Black	A.MIG.102	Polished Metal

APPLYING DECALS

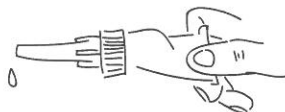
1. Clean the model surface with a wet cloth.
2. Cut out each decal design from sheet, and dip it in tepid water for 15-20 sec.
3. Hold the backing sheet edge and slide decal onto the model.
4. Move decal into position by wetting decal with finger.
5. Press decal gently down with a soft cloth until excess water and air bubbles are gone.



REMOVING PE



Be careful not to hurt when removing PE parts.

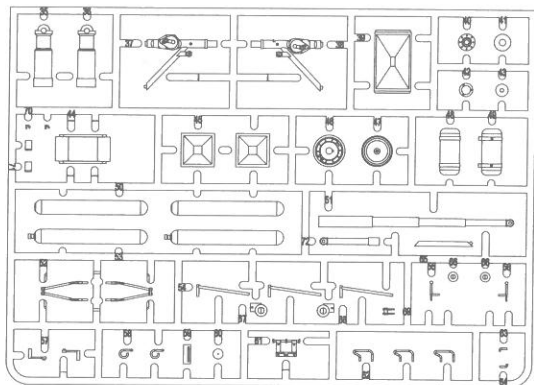


Secure using instant glue (not included).

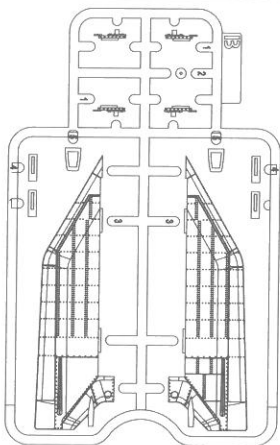
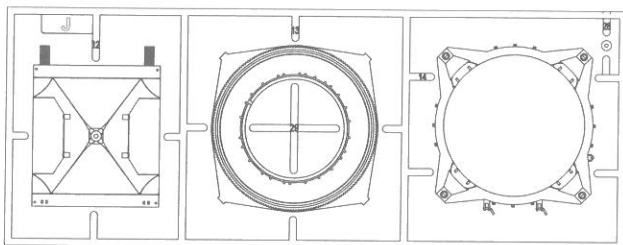


Finish using file.

PARTS



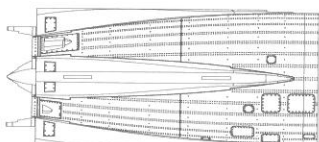
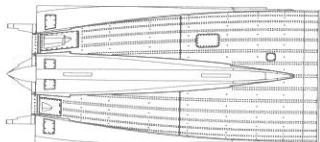
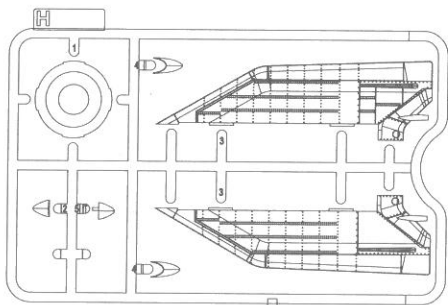
X2

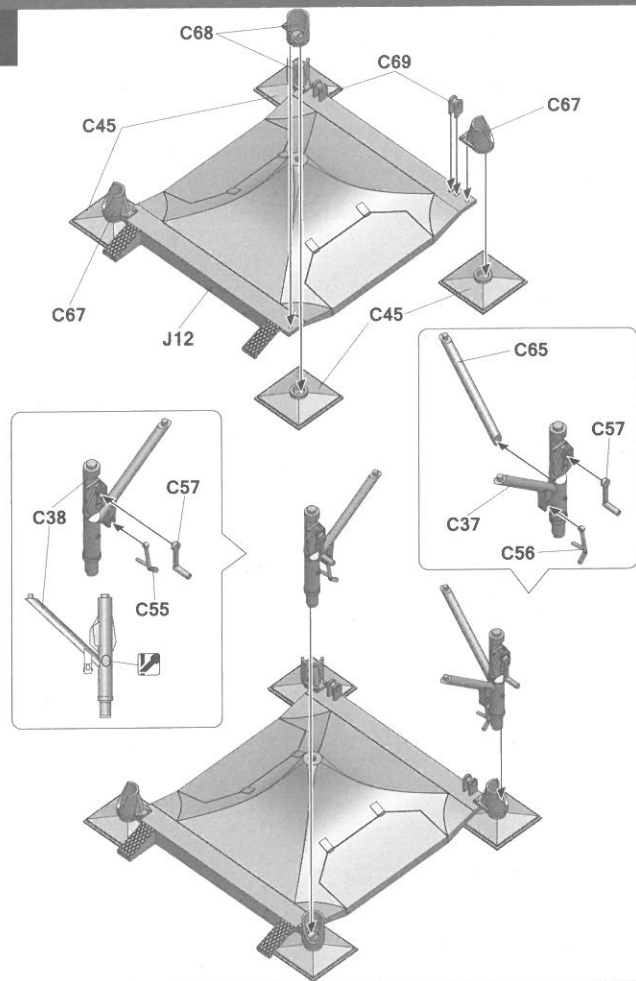
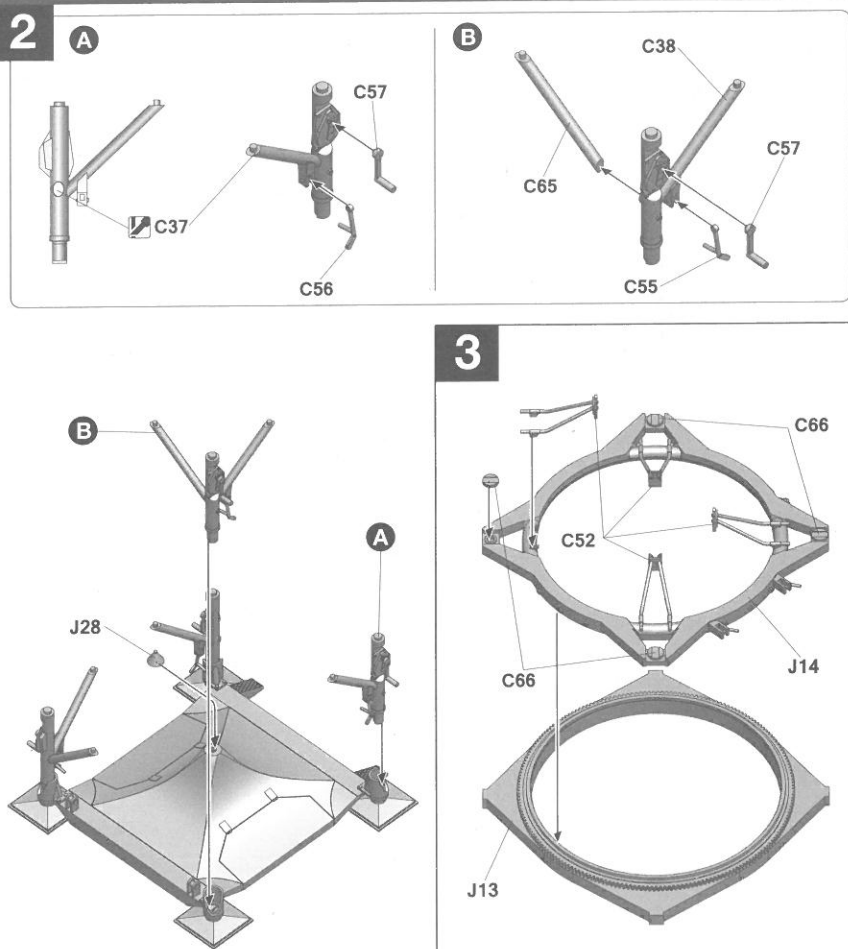


TP

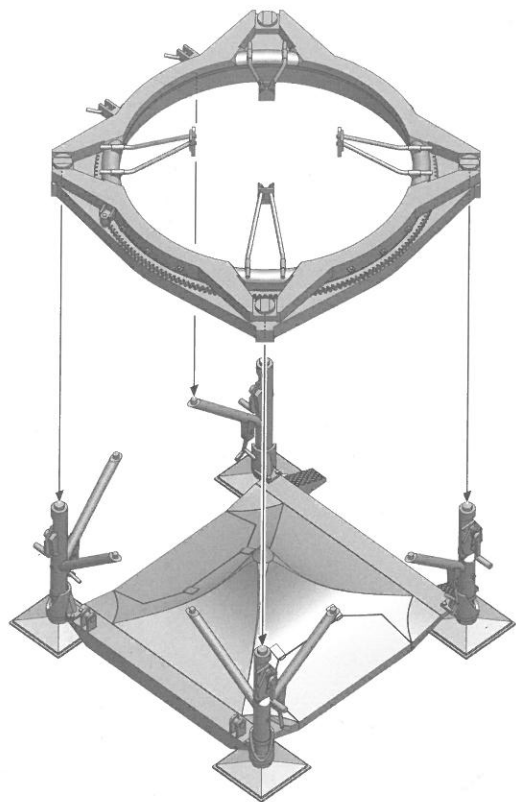


Decal

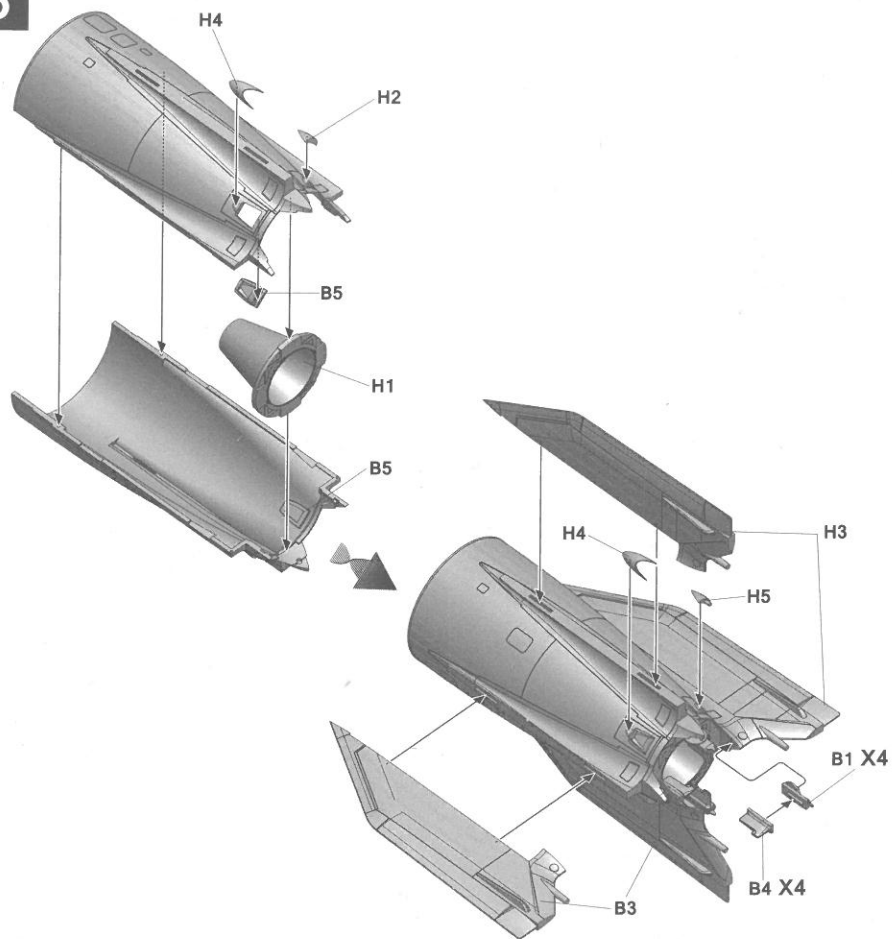


1**2****3**

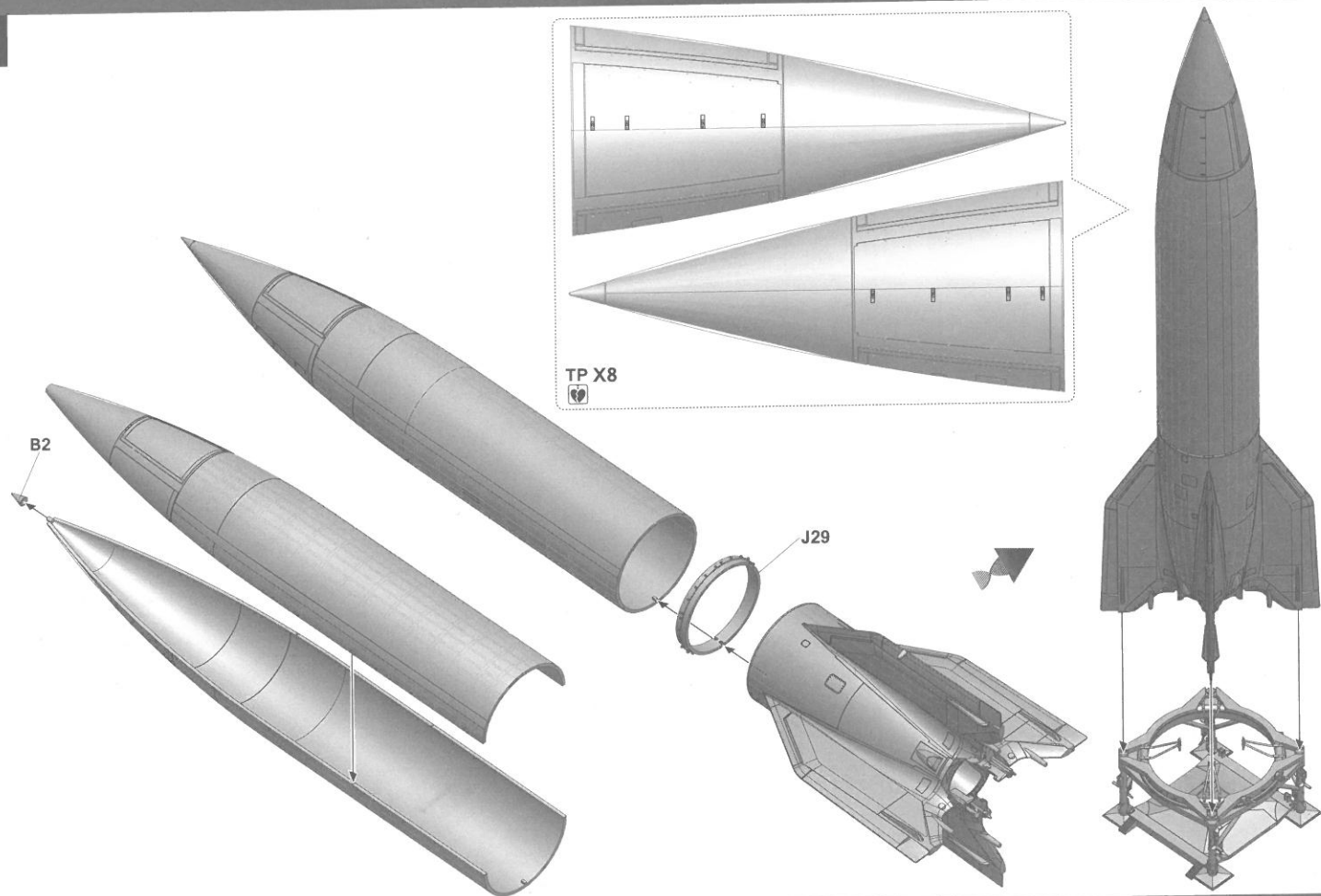
4



5



6



03.03.2075



A4/V2

Color info and profiles by



Painting and Marking Guide

Field Test, Fall 1943, Spring 1944

October 3, 1942, Peenemünde

A.MIG 192

Polished Metal

A.MIG 032

Stain Black

A.MIG 090

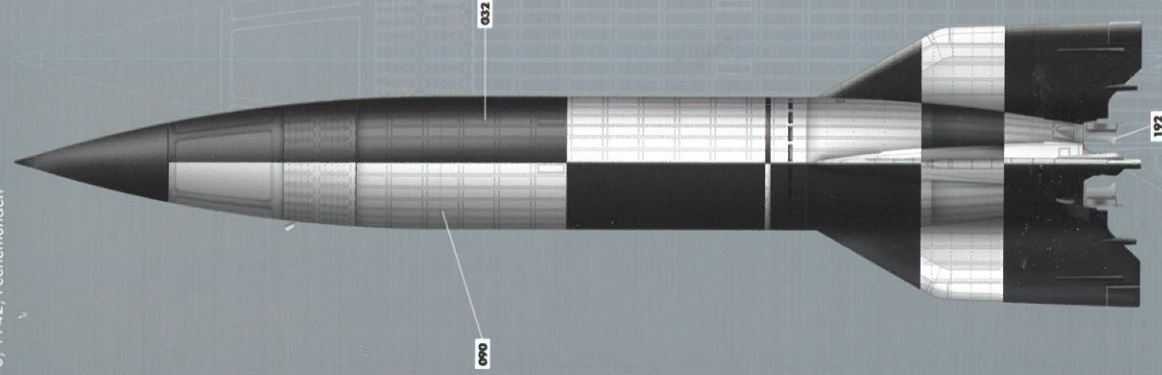
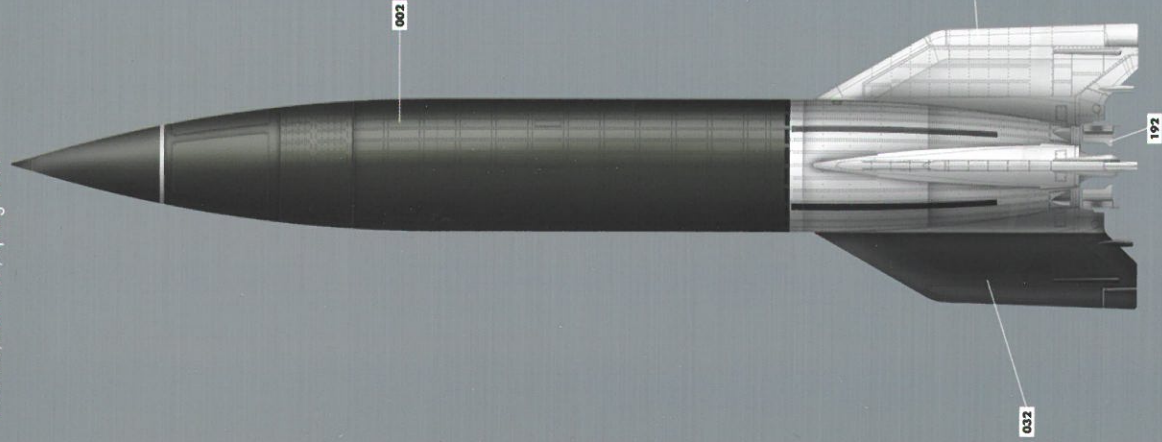
Stain Warmth

A.MIG 002

Original OPT 2

A.MIG 017

Greenwax



03.03.2075



A4/V2

Color info and profiles by



Painting and Marking Guide

AJMG 192

Published (Nov)

AJMG 002

Oberfläch OPT 2

AJMG 010

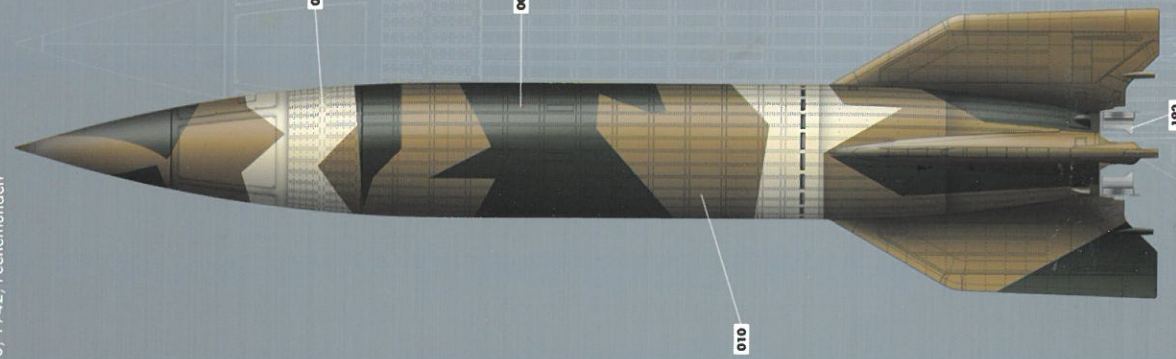
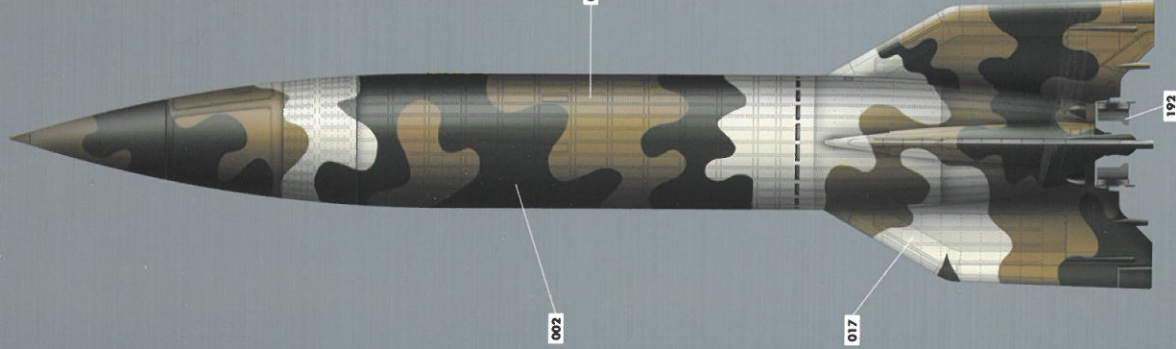
Druckluftb
(Mid War)

AJMG 017

Cremeweiß

Test Scheme 2, June 1943

October 3, 1942, Peenemünde



TAKOM A4/V2 Ref: 2075

03.03.2075



A4/V2

Color info and profiles b



Painting and Marking Guide

Test Scheme 1, Summer 1943

