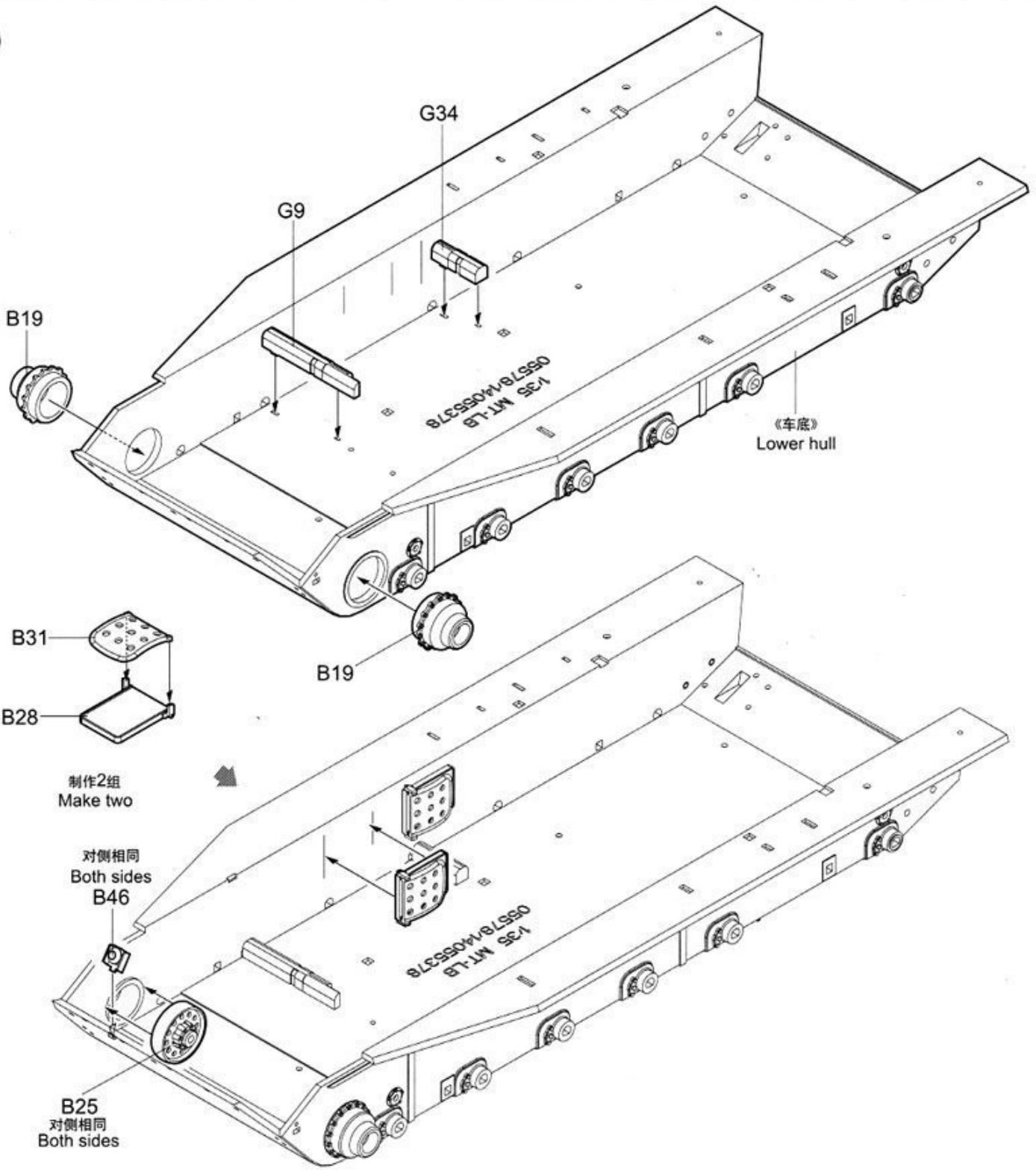
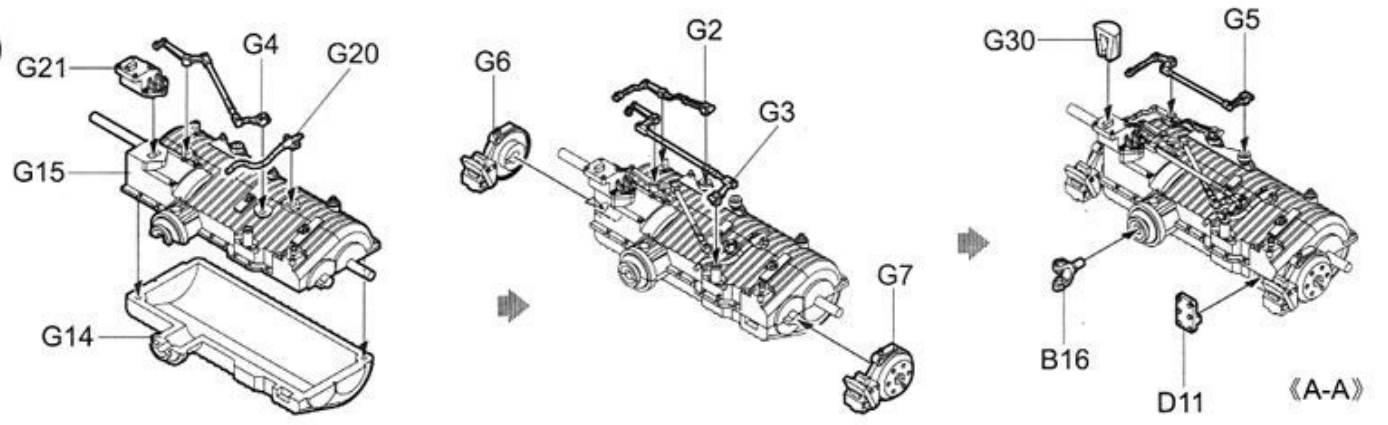
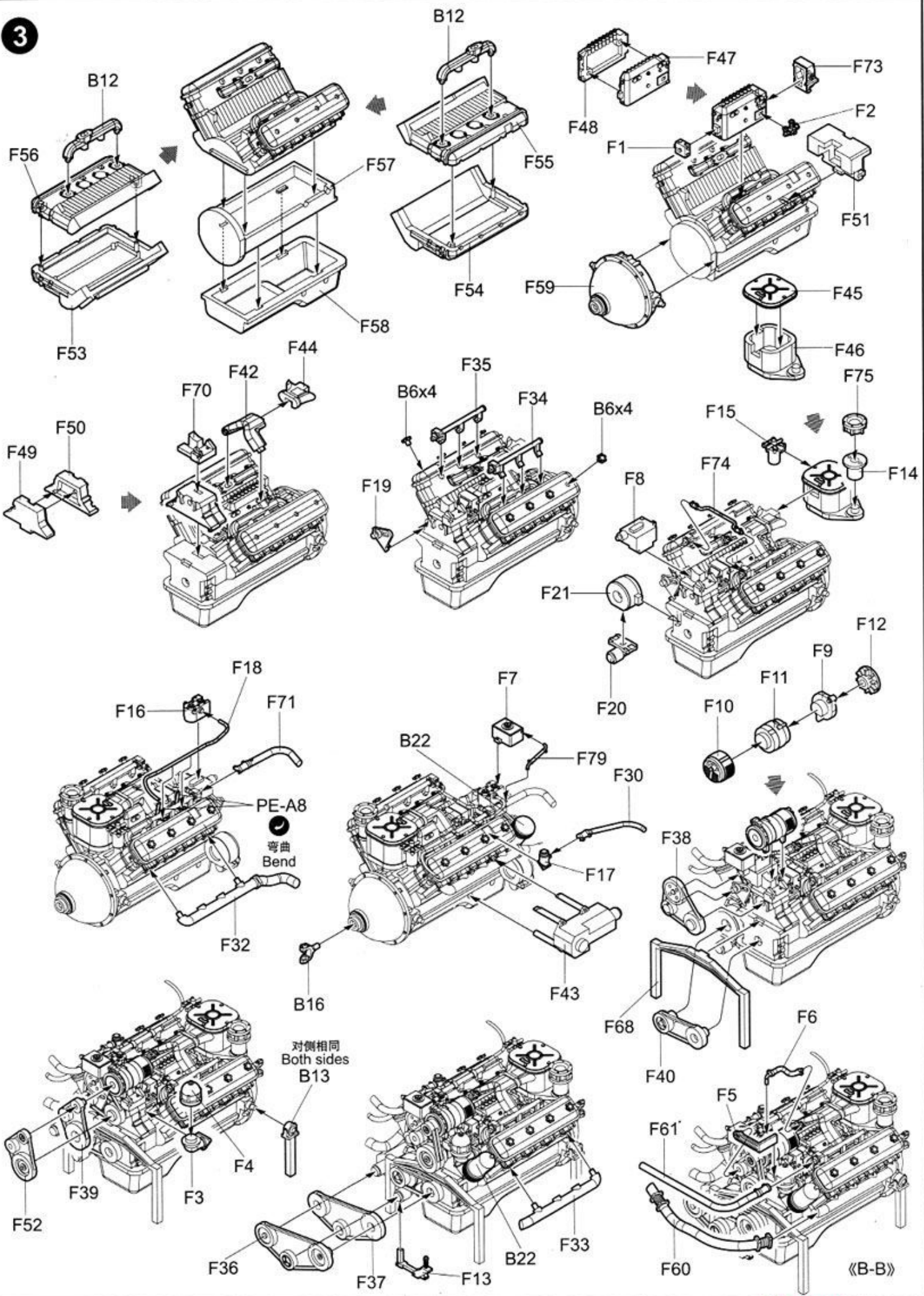


1

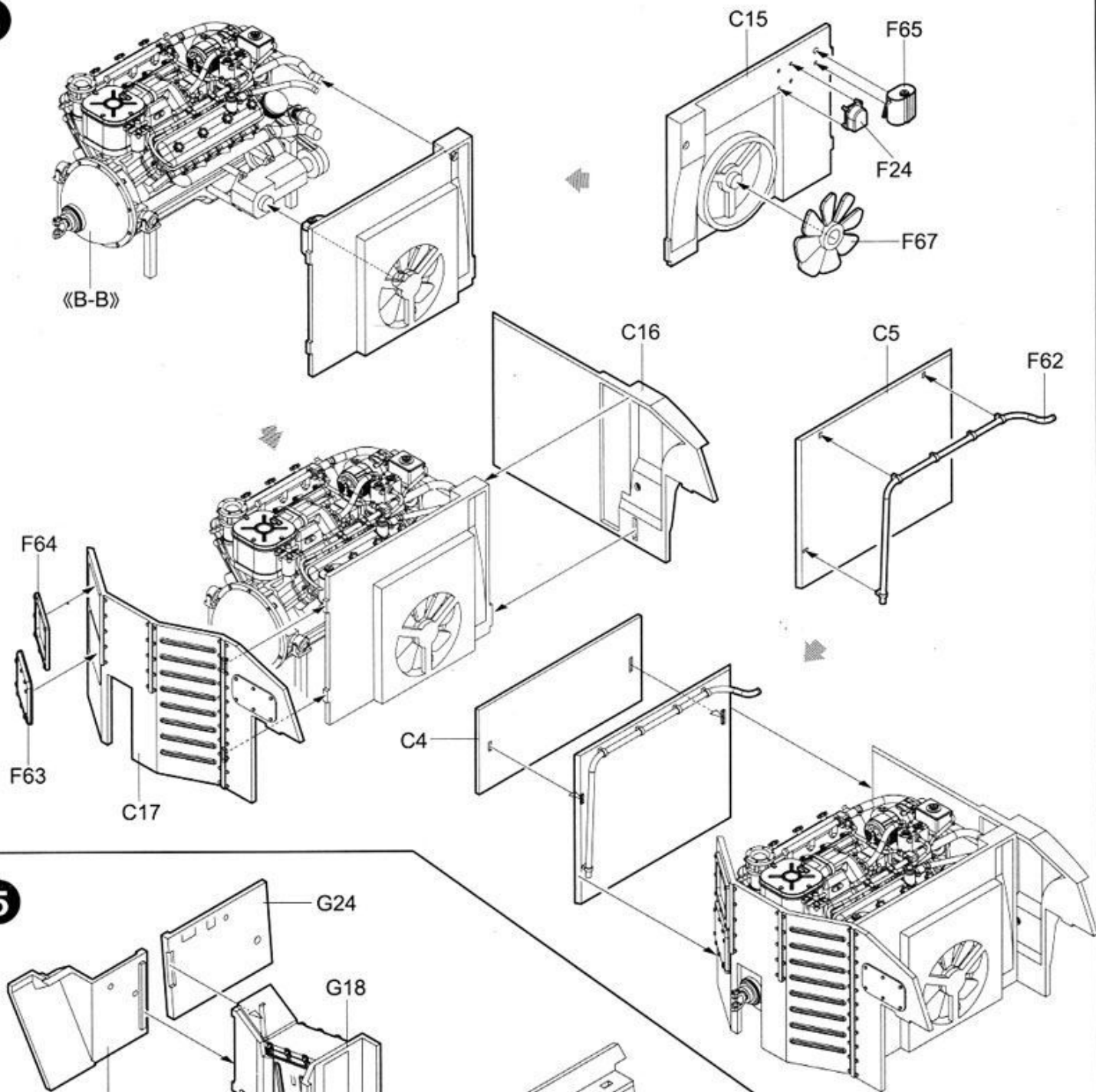


2

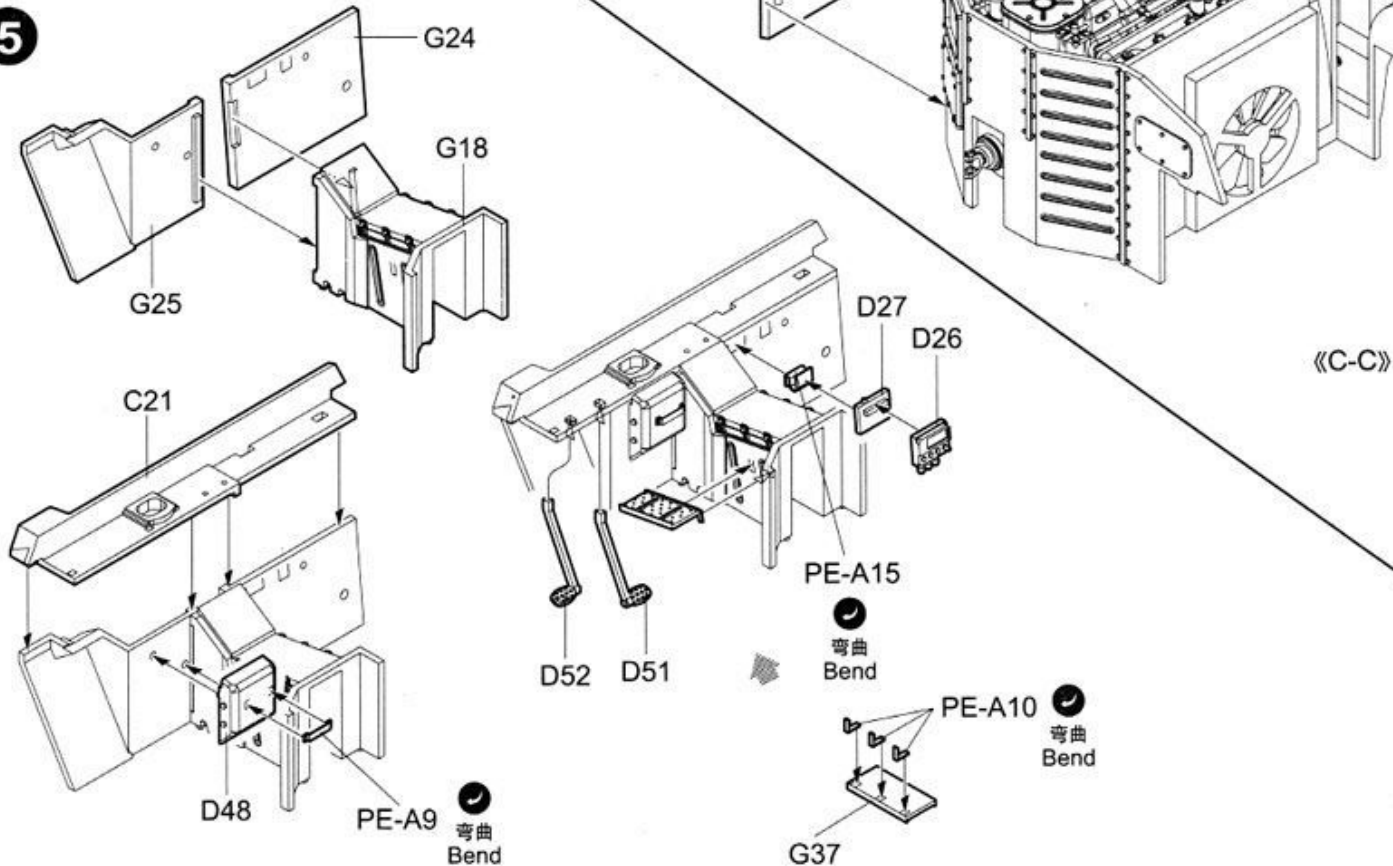




4

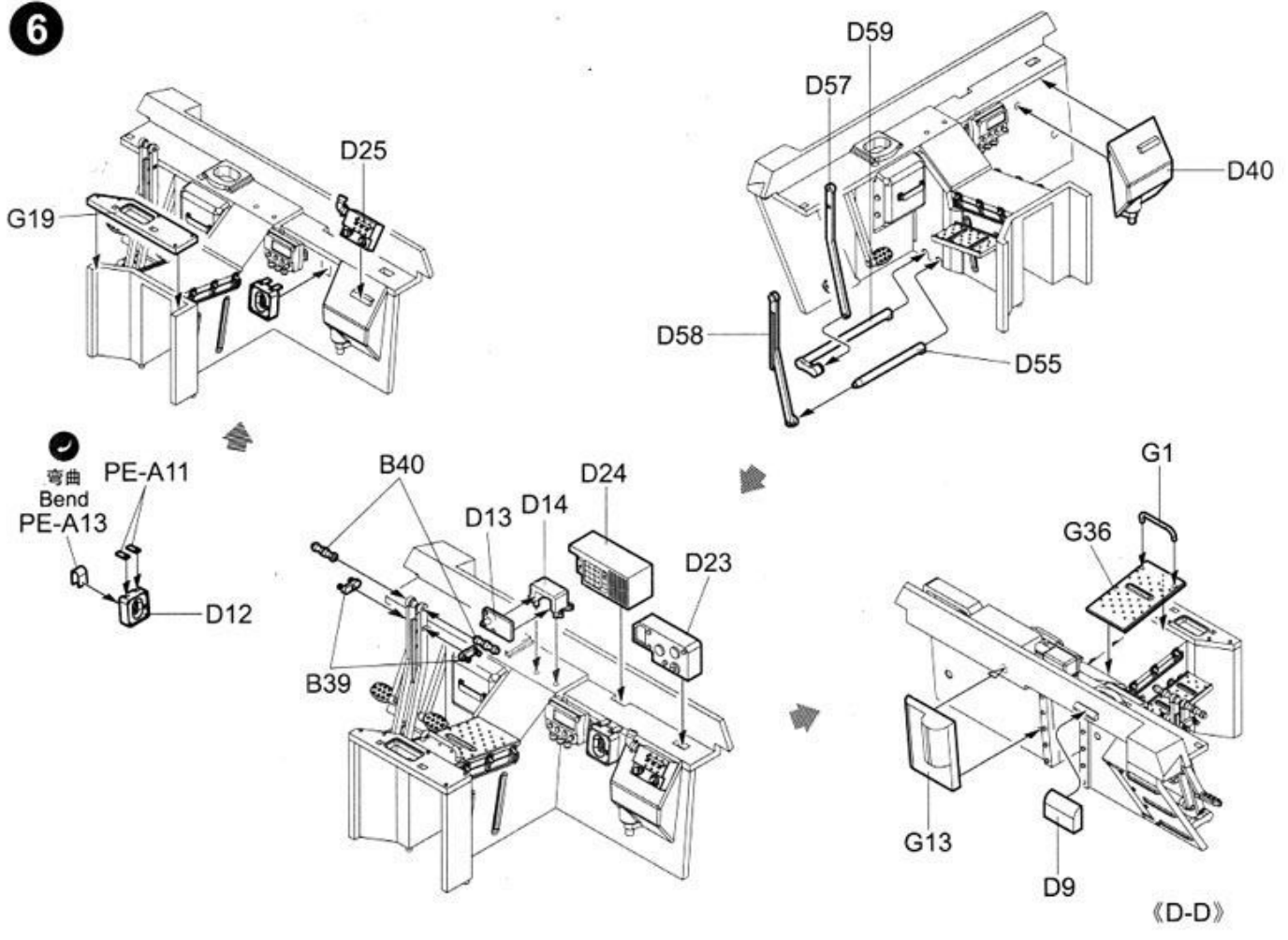


5

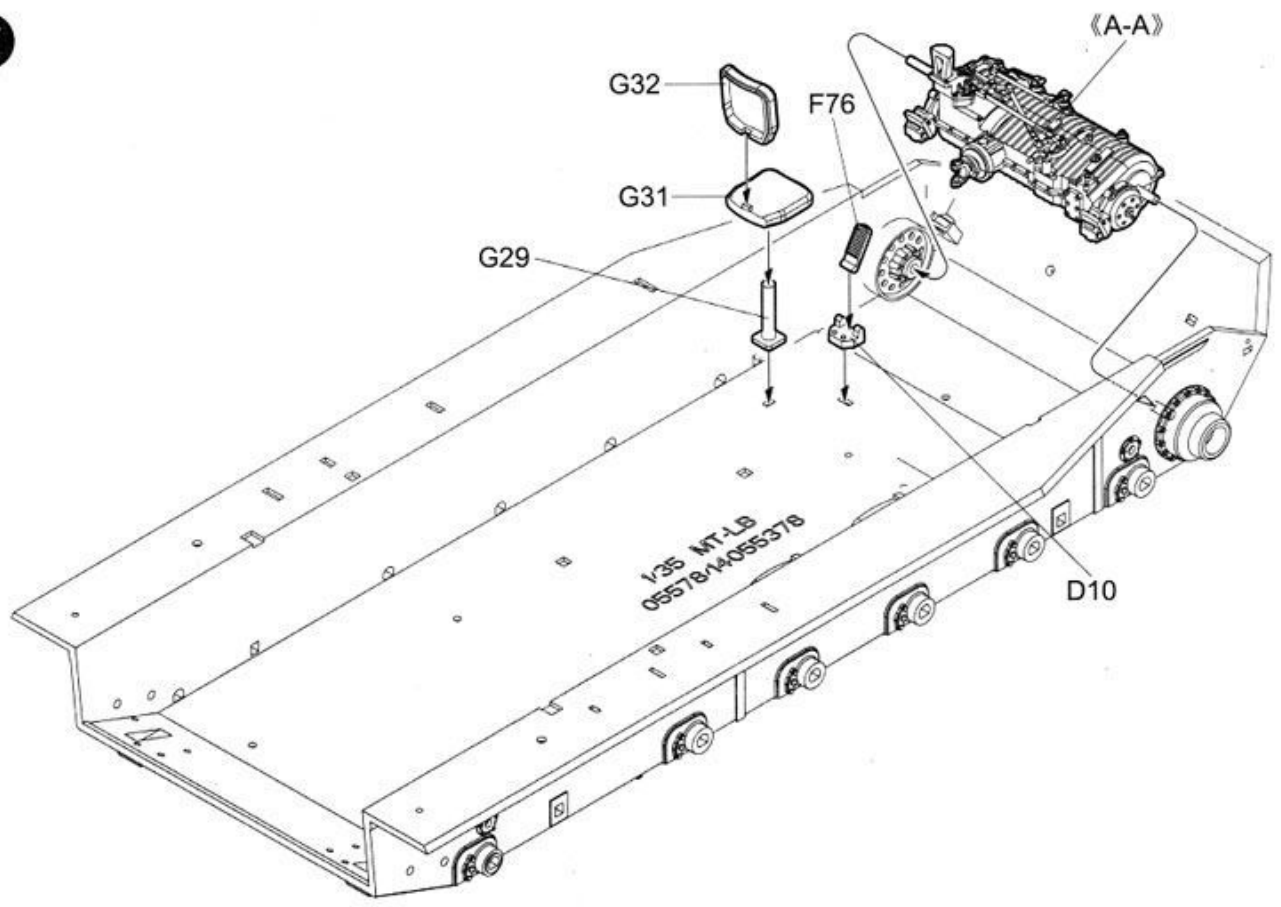


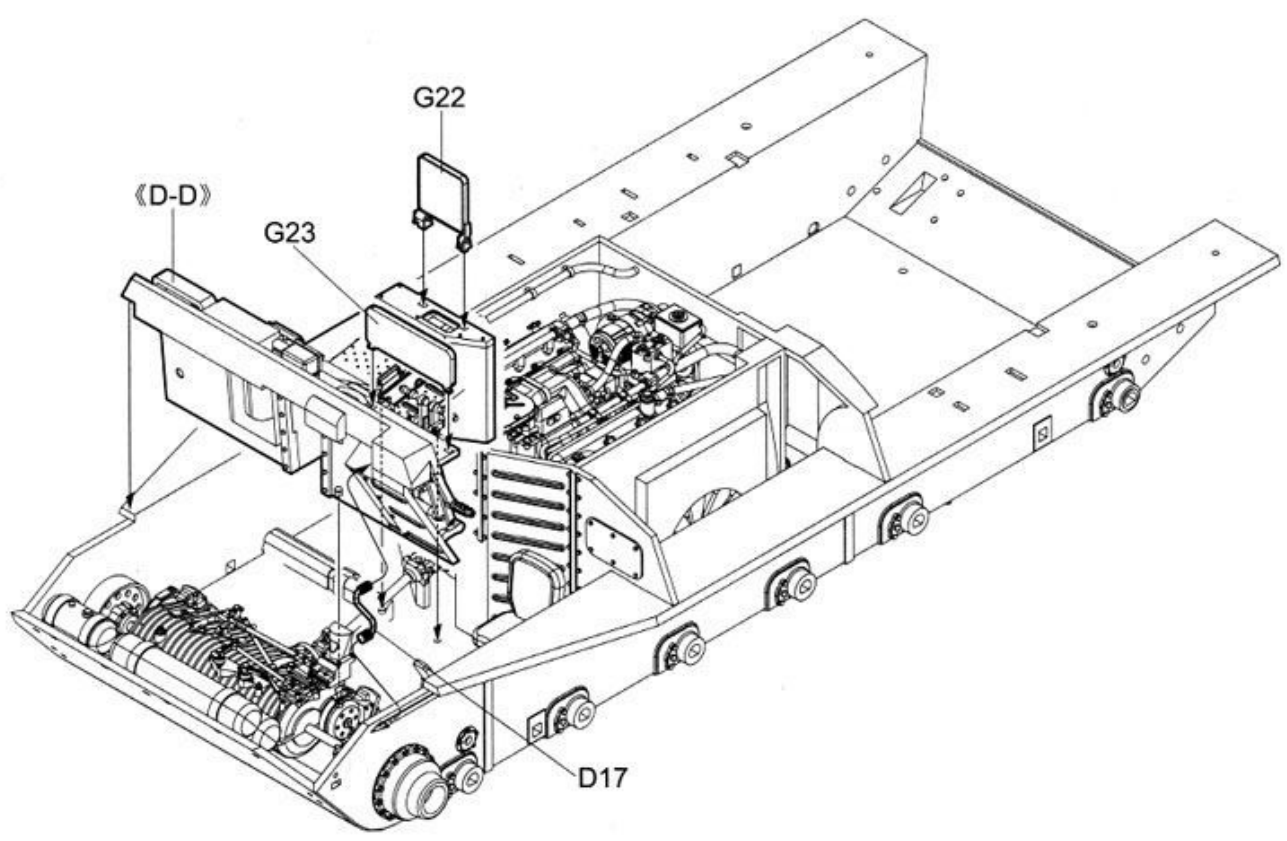
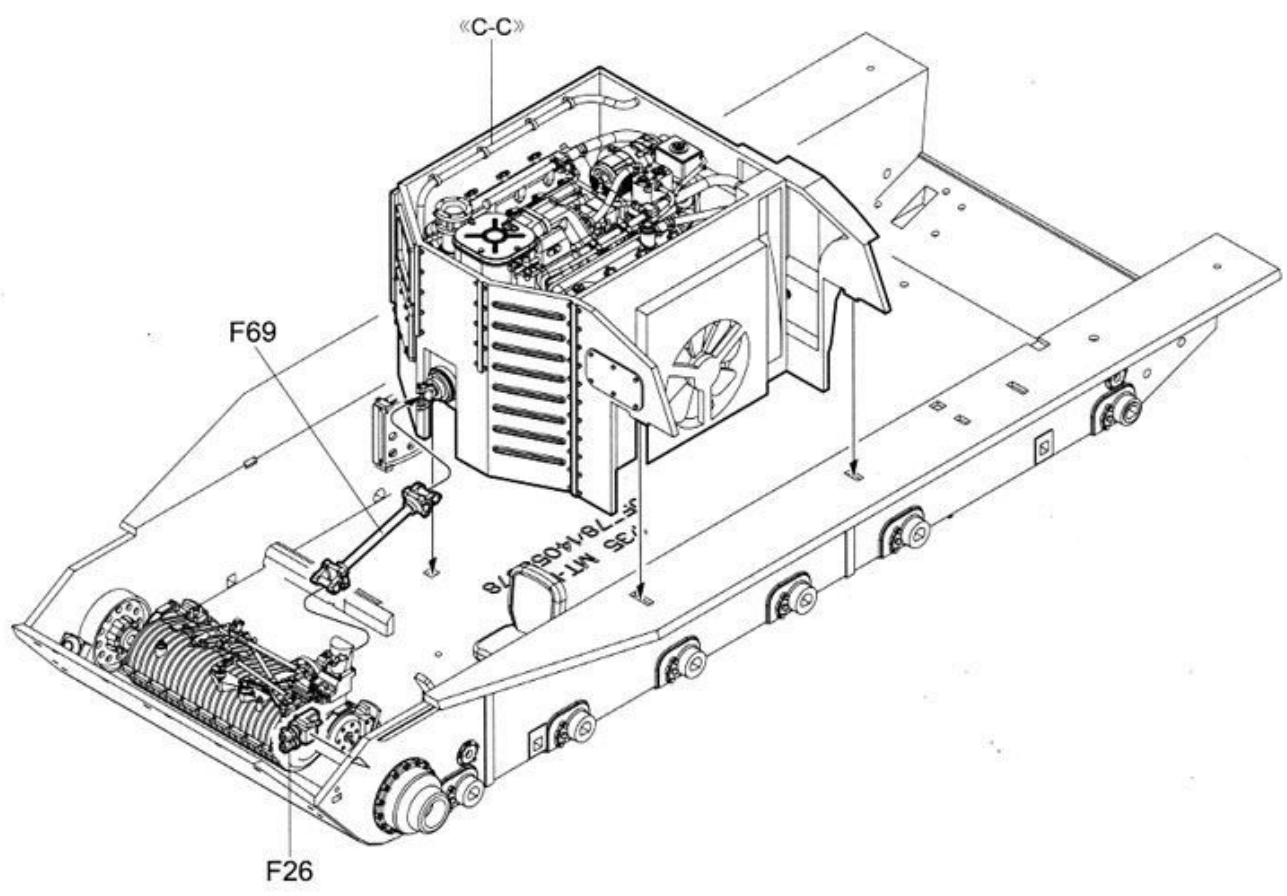
«C-C»

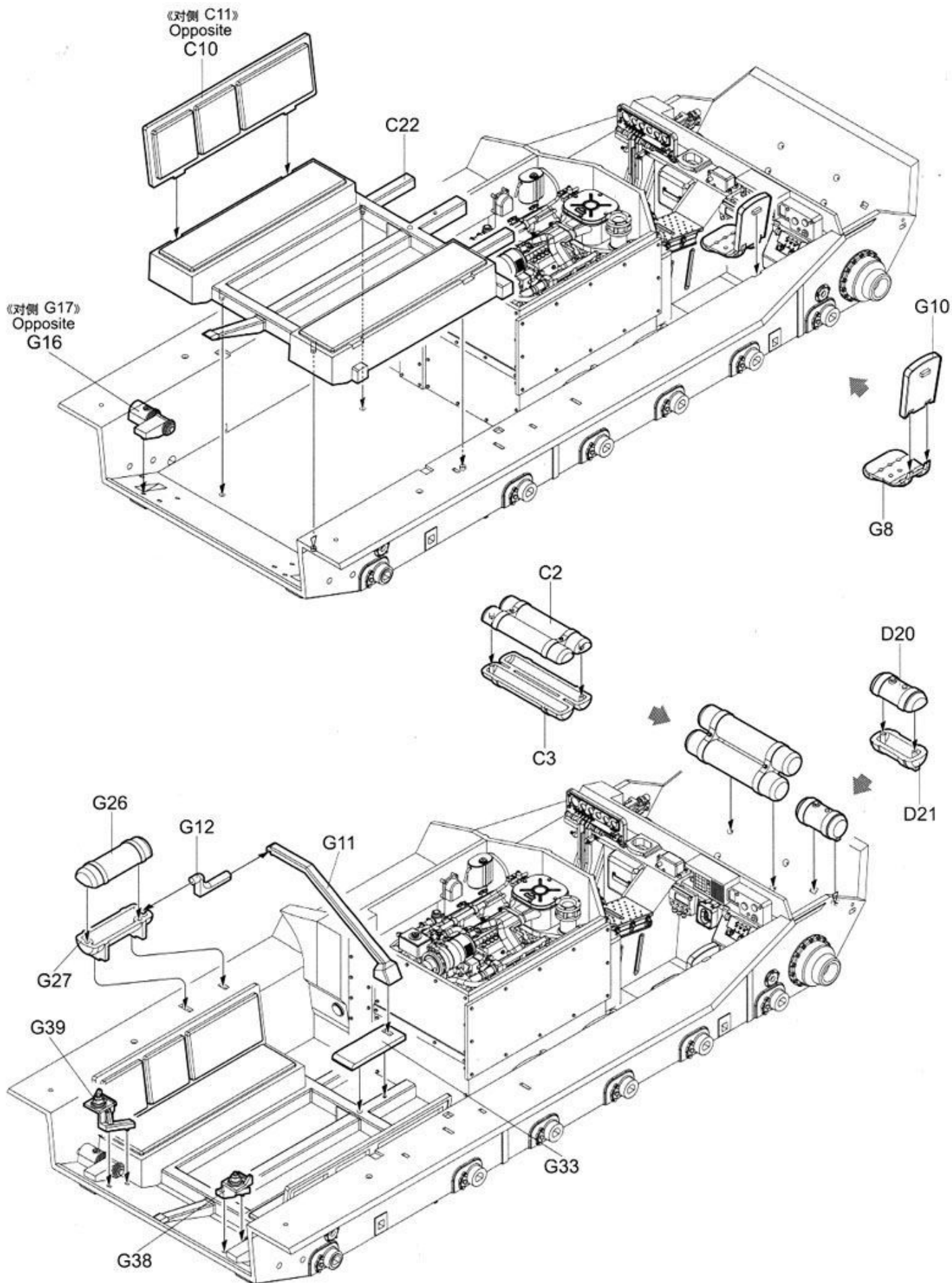
6



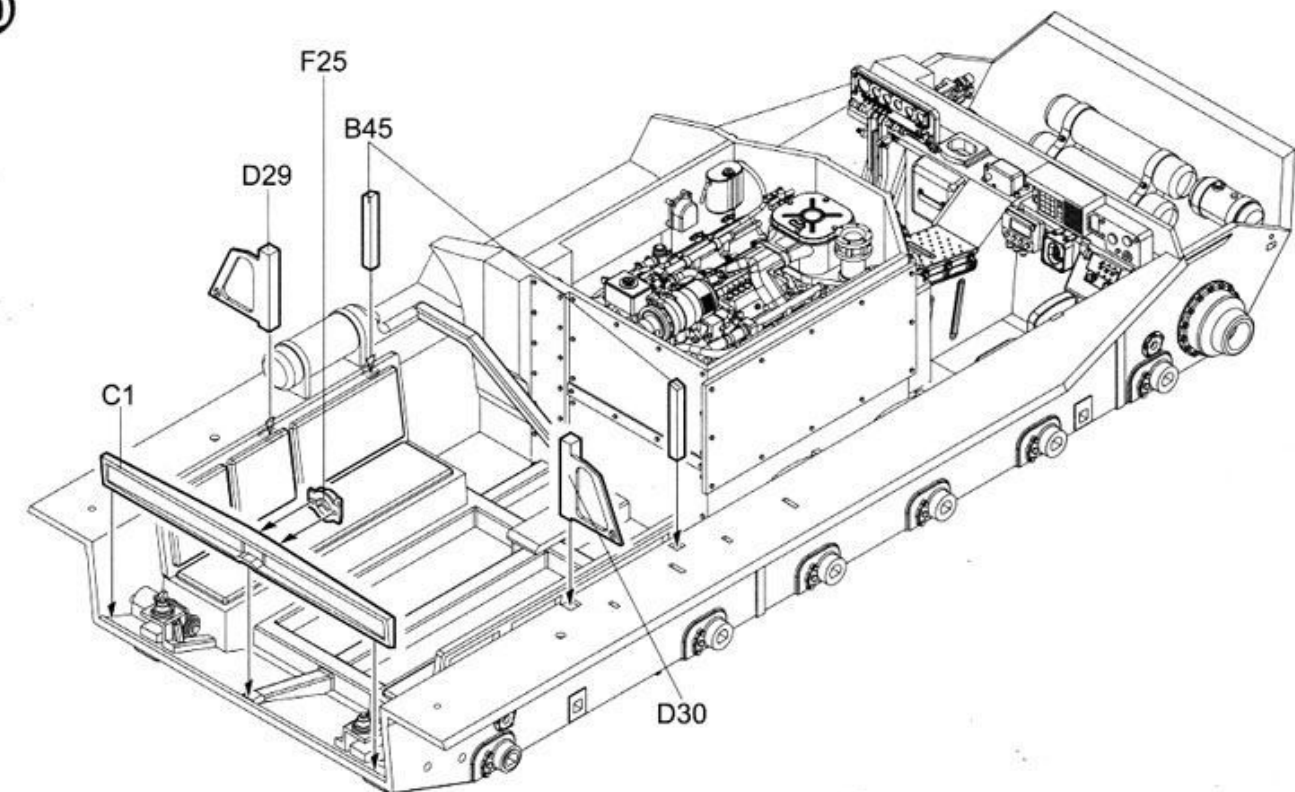
7



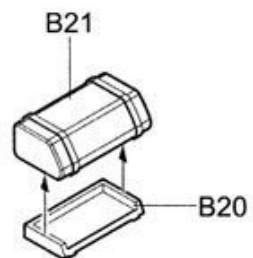
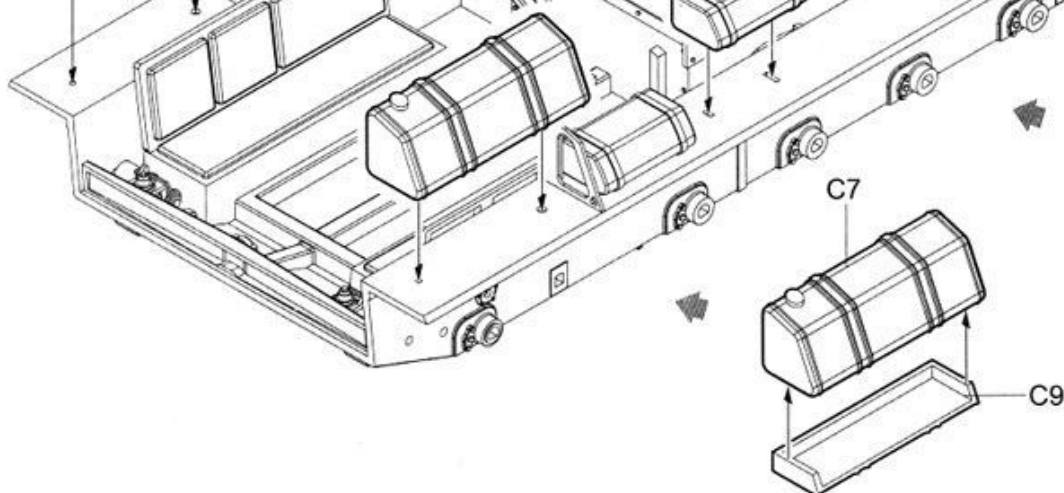
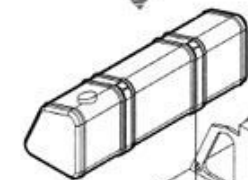
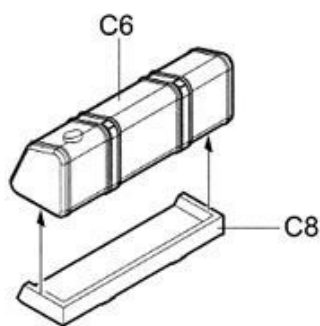




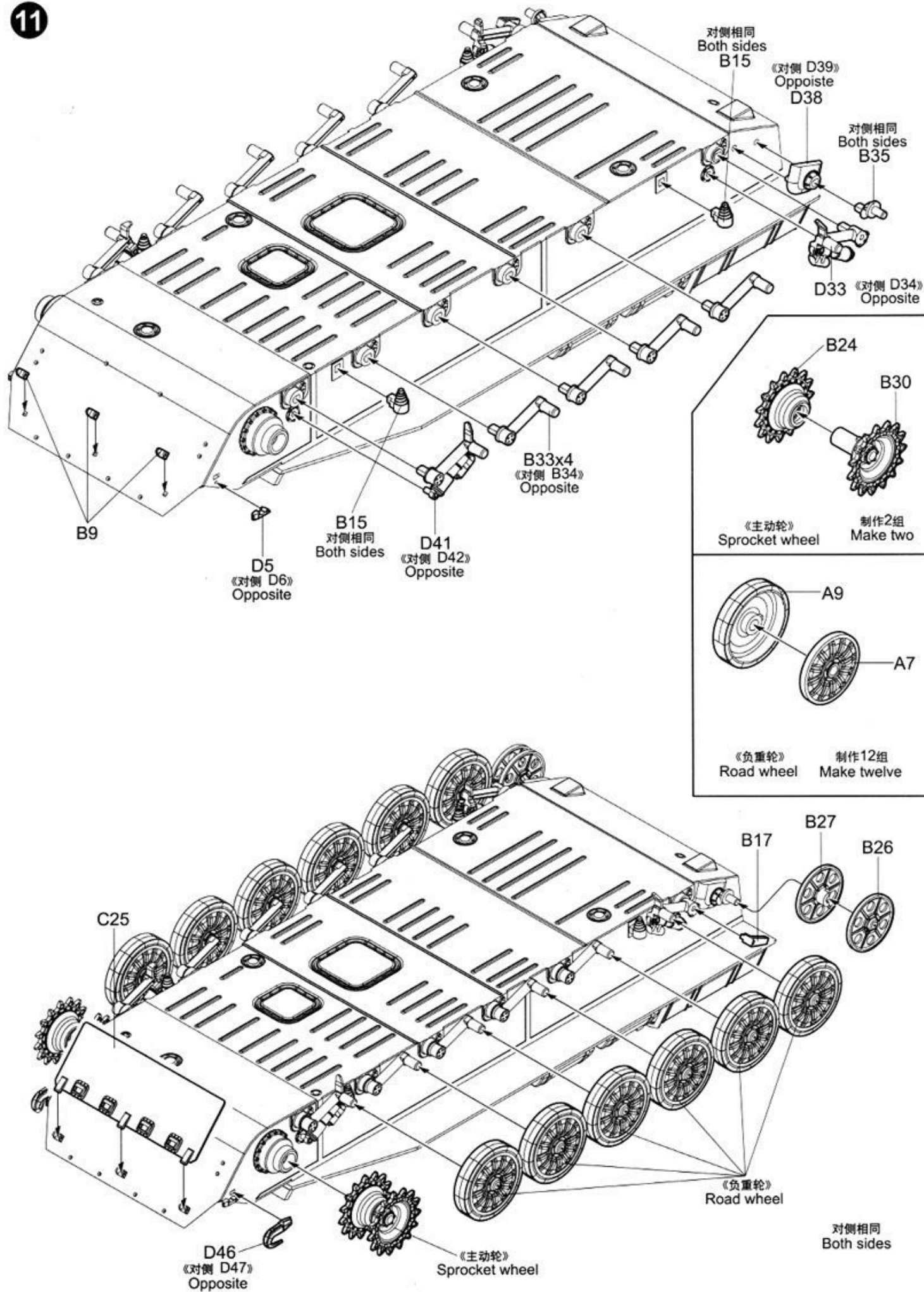
10

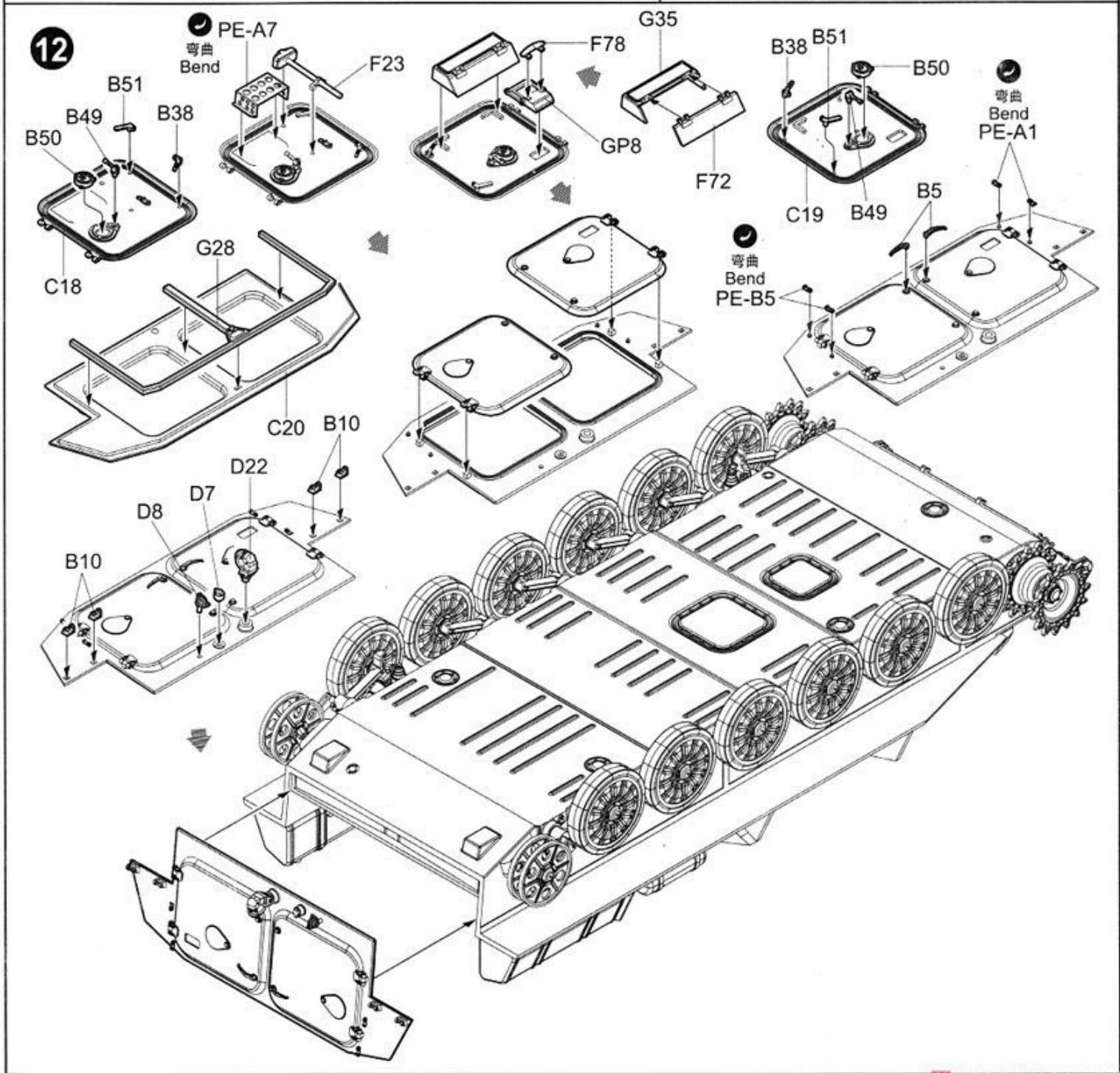
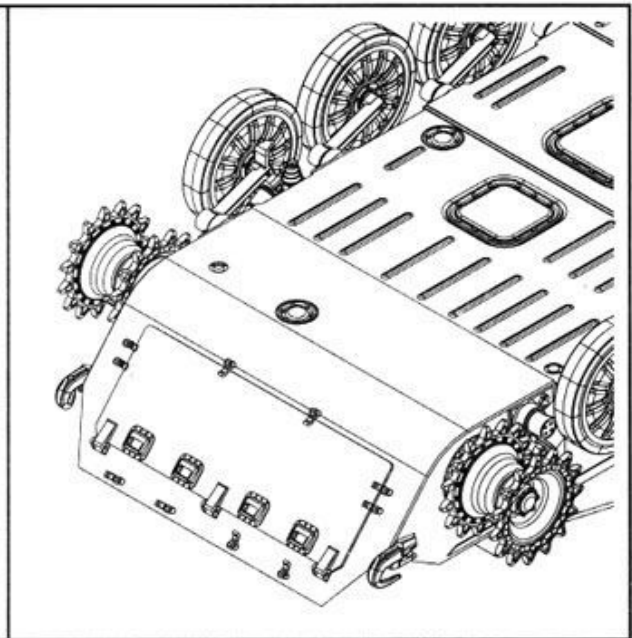
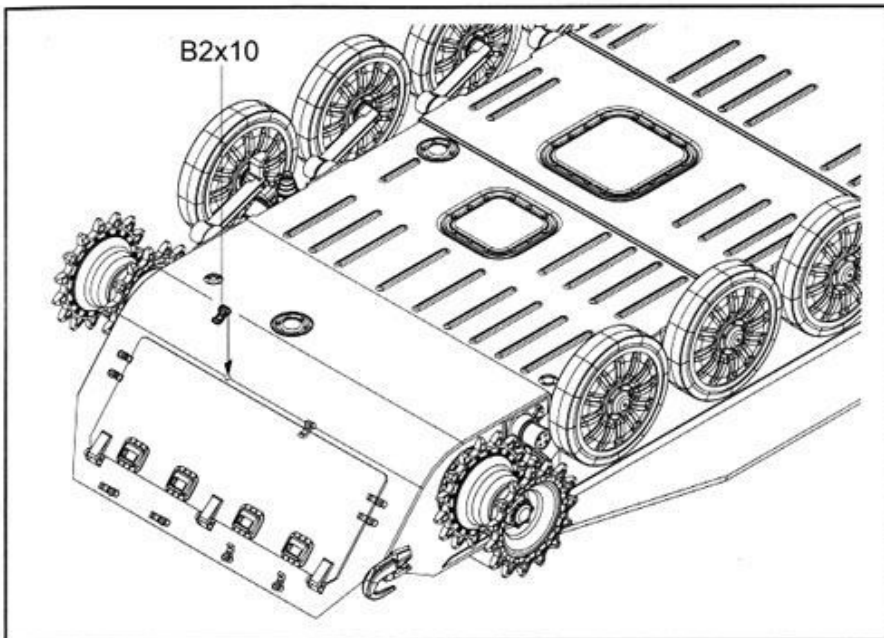


贴纸
Decal
(12)



制作2组
Make two



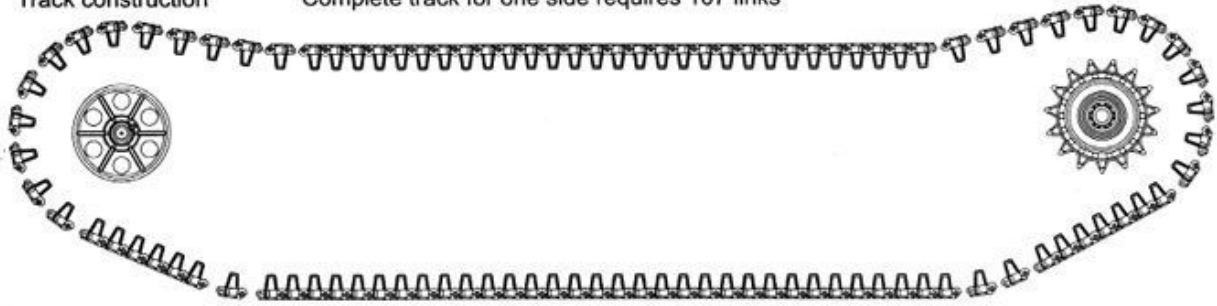


13

履带联接
Track construction

单侧履带需107节
Complete track for one side requires 107 links

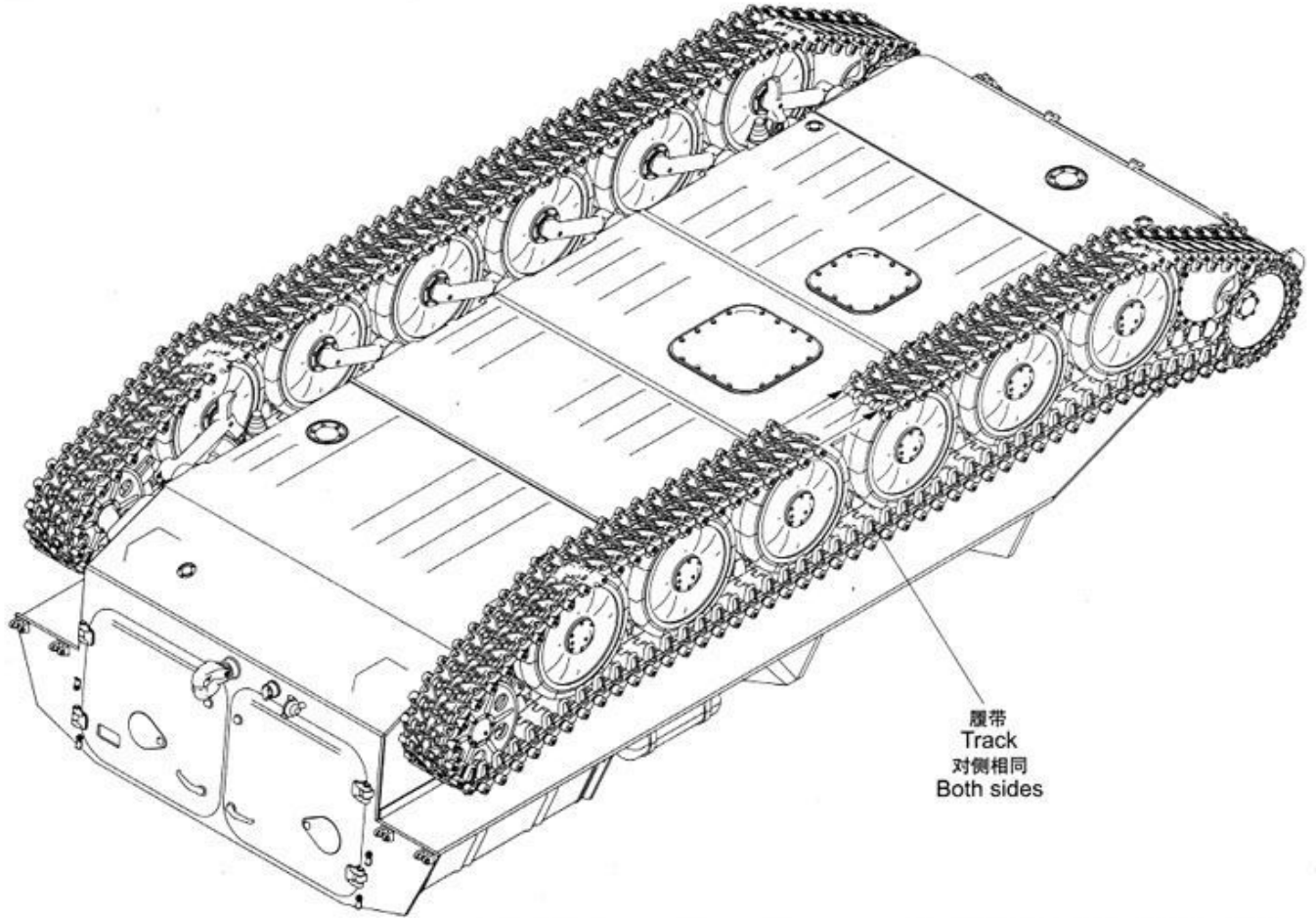
Ex2



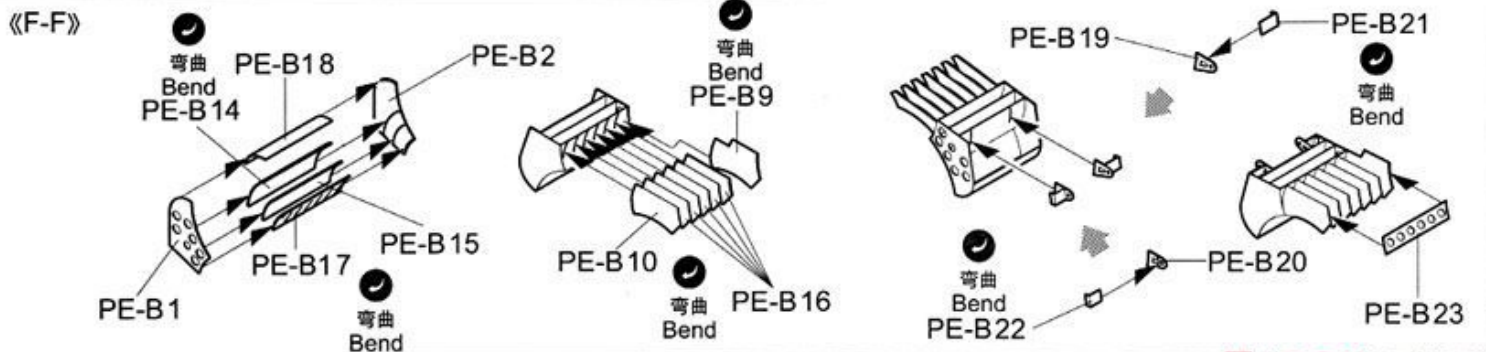
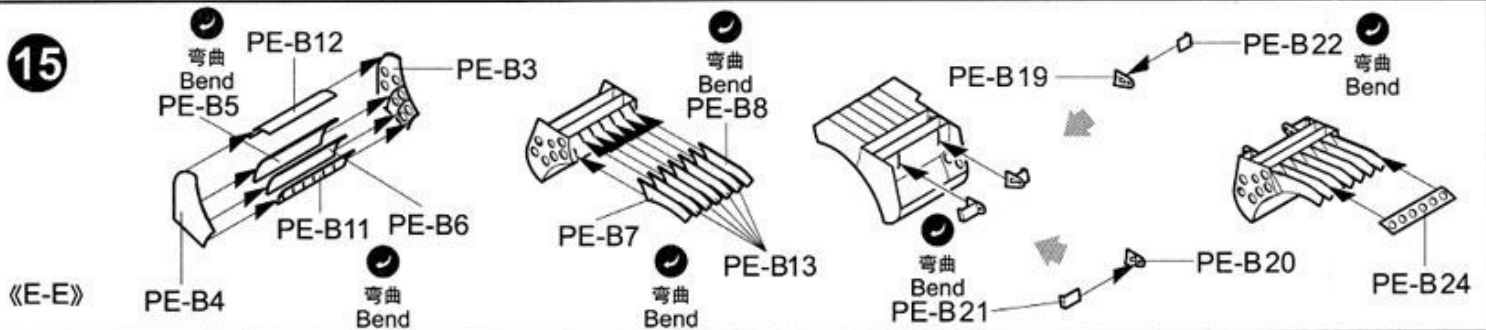
制作2组
Make two

制作14组
Make 14

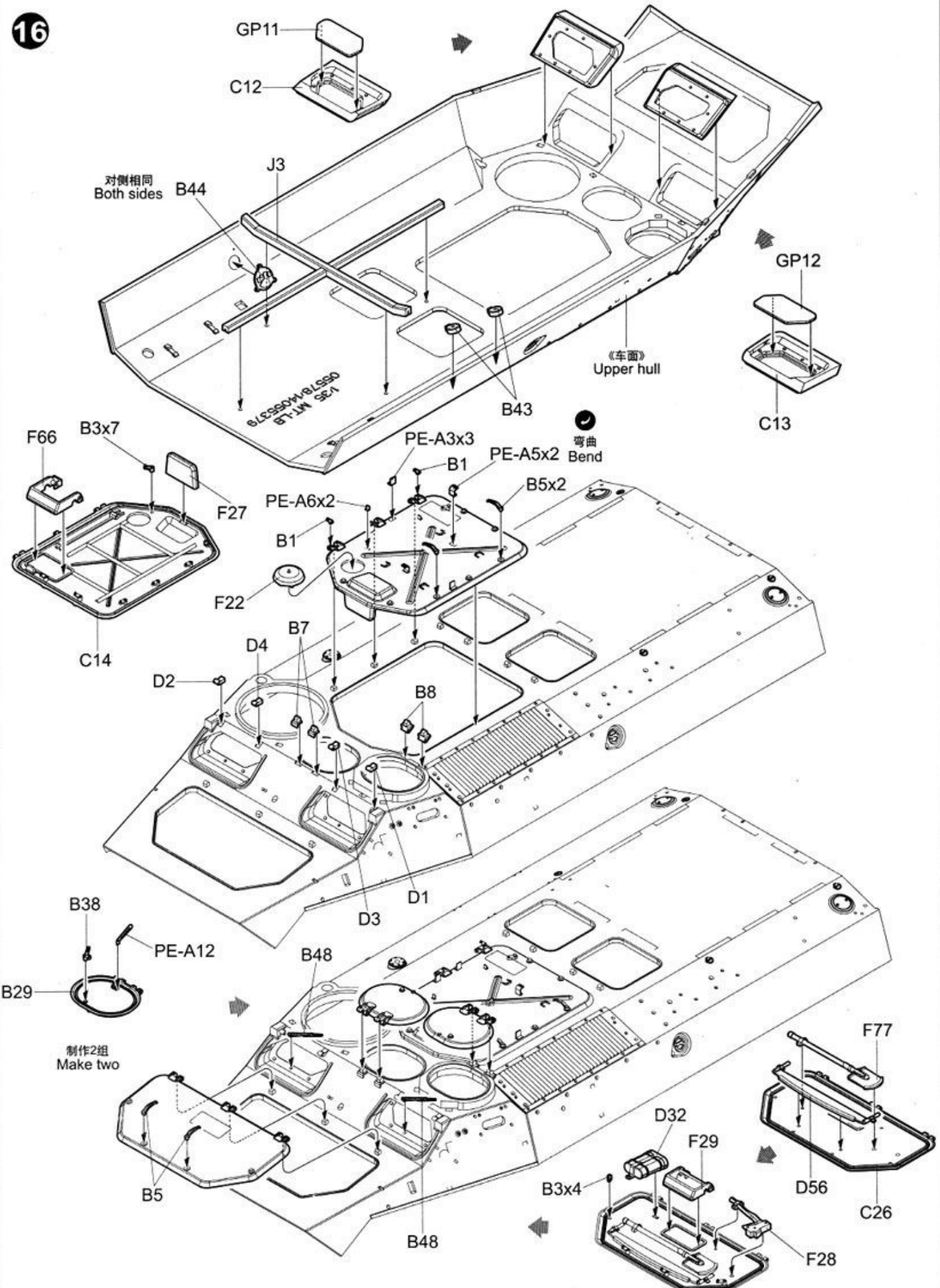
14

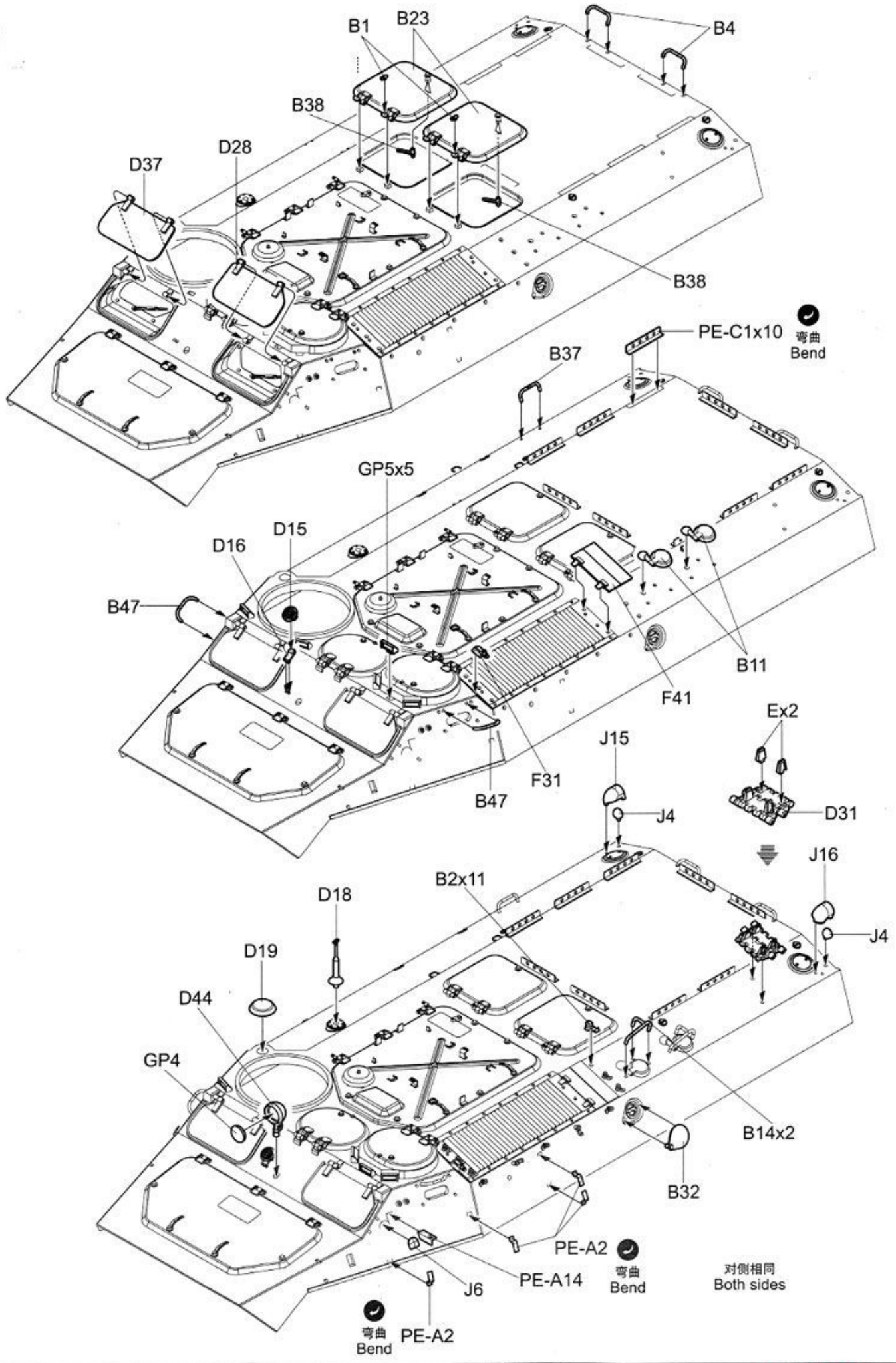


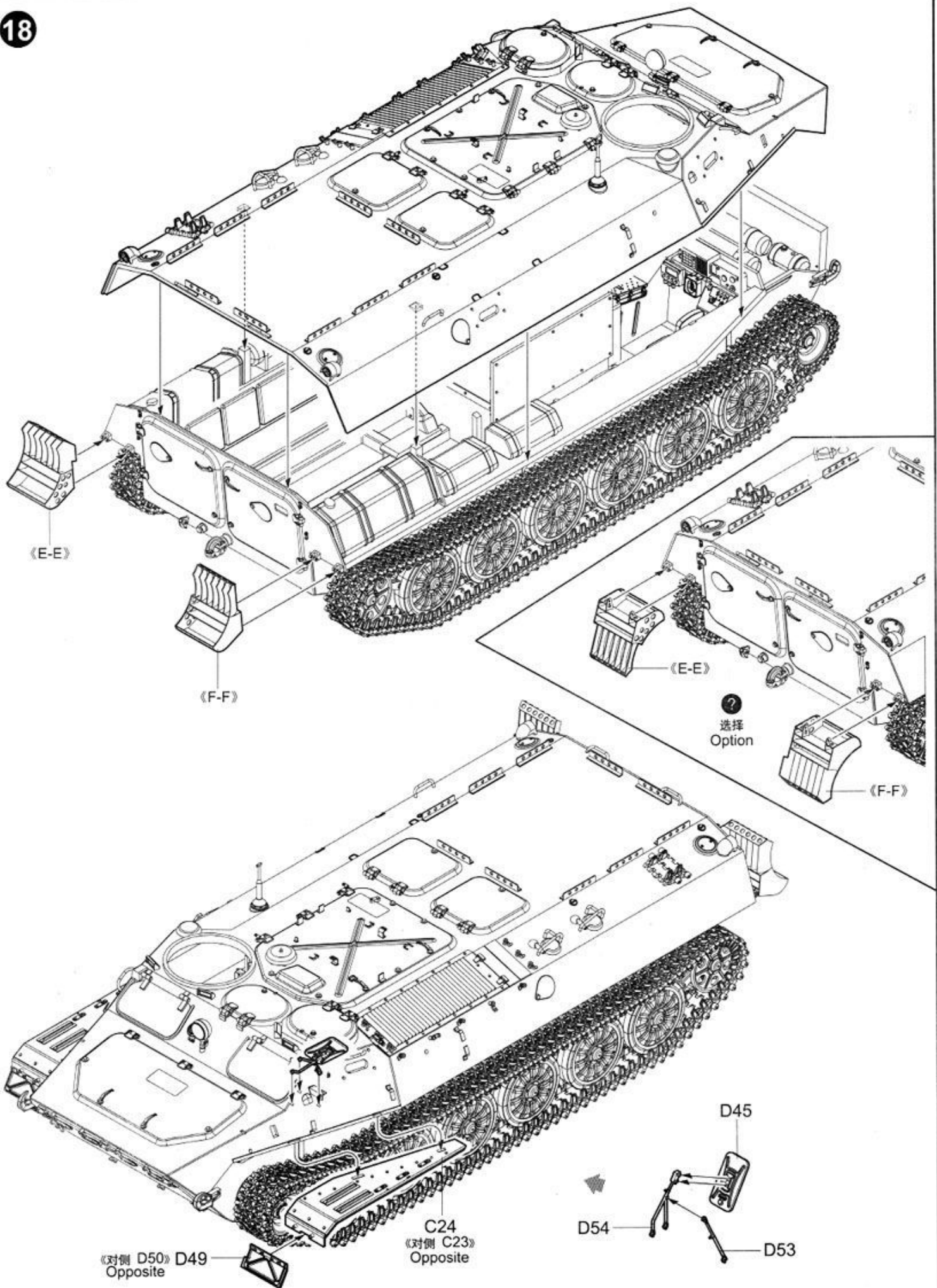
15

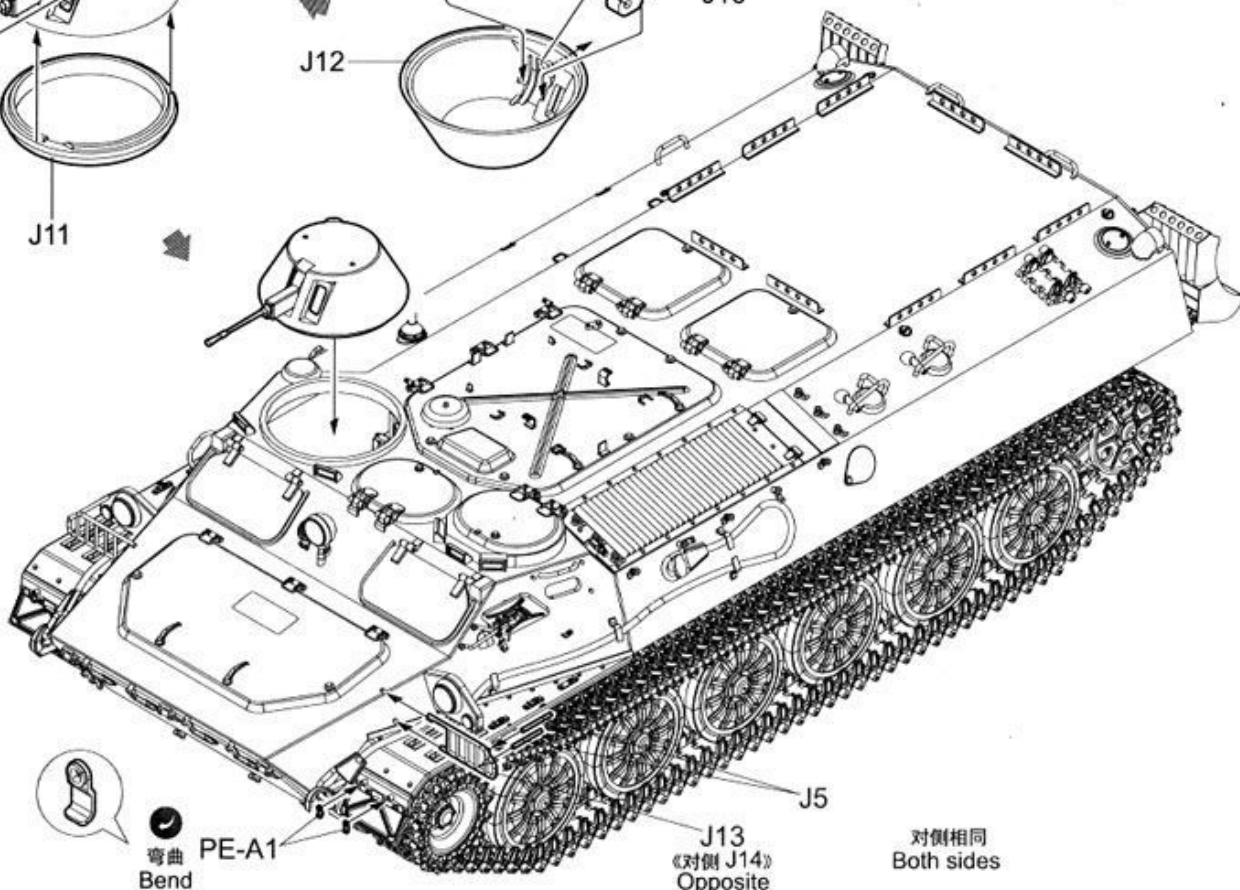
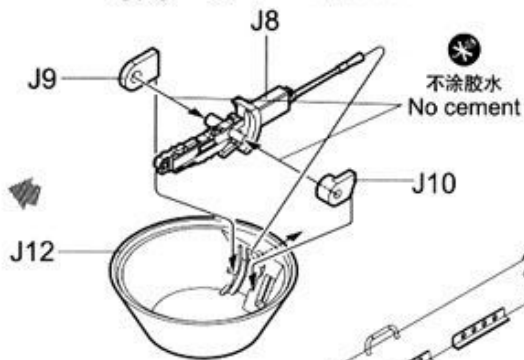
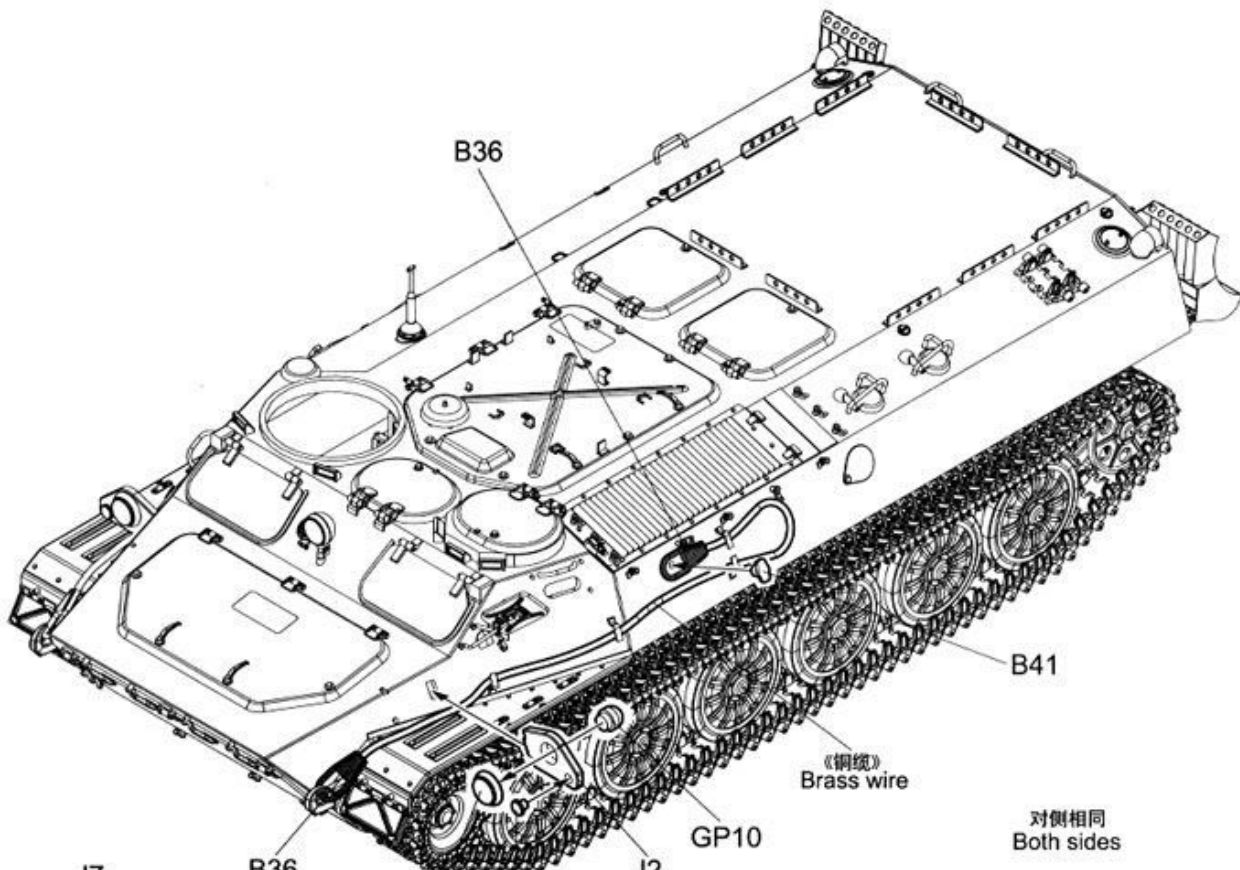


16

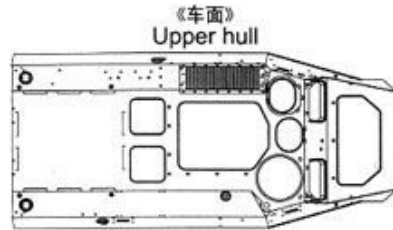
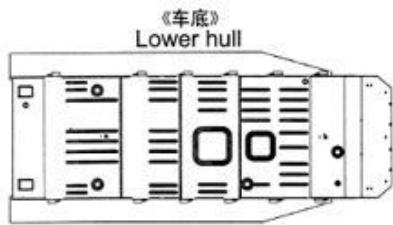




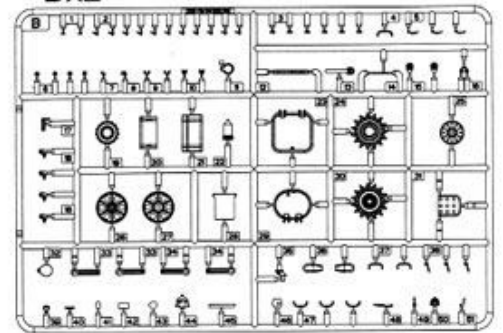




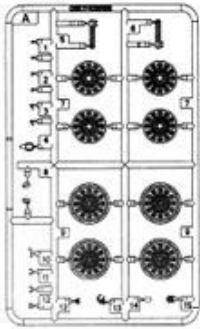
部品图 Parts



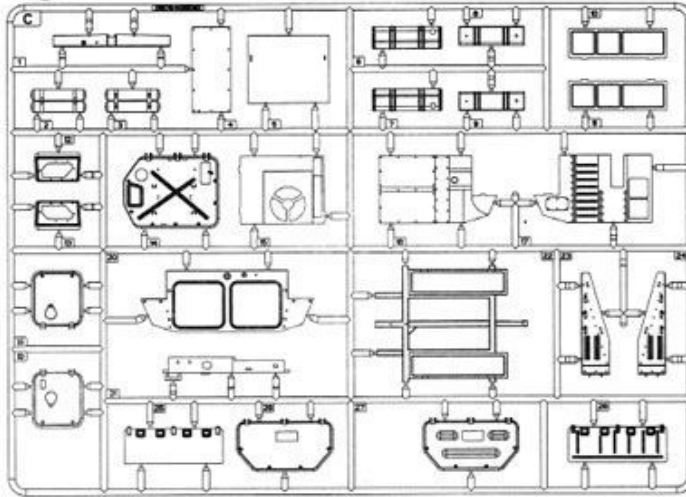
Bx2



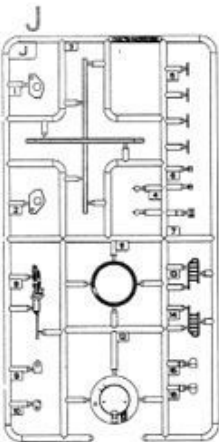
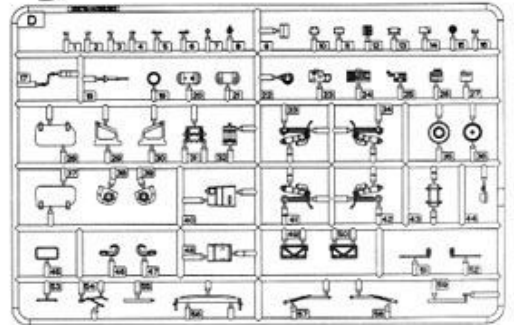
Ax3



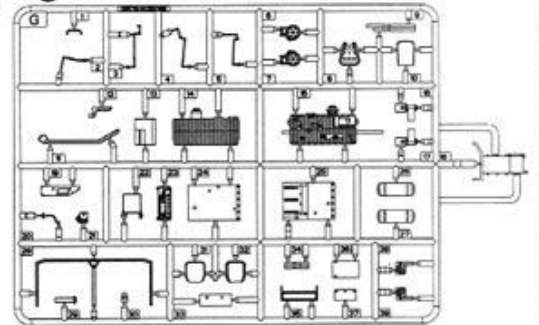
C



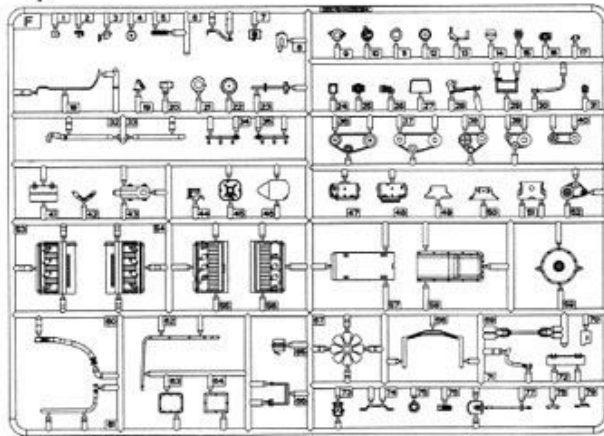
D



G



F



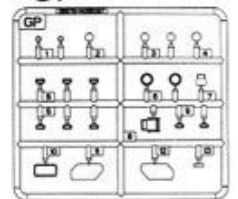
履带 x 120
Track



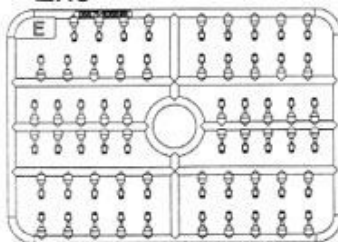
《蚀刻片》- B
PE



GP



Ex8



《蚀刻片》- A
PE



《蚀刻片》- C
PE



铜线 x200mm
Brass wire



《水贴》
Decal



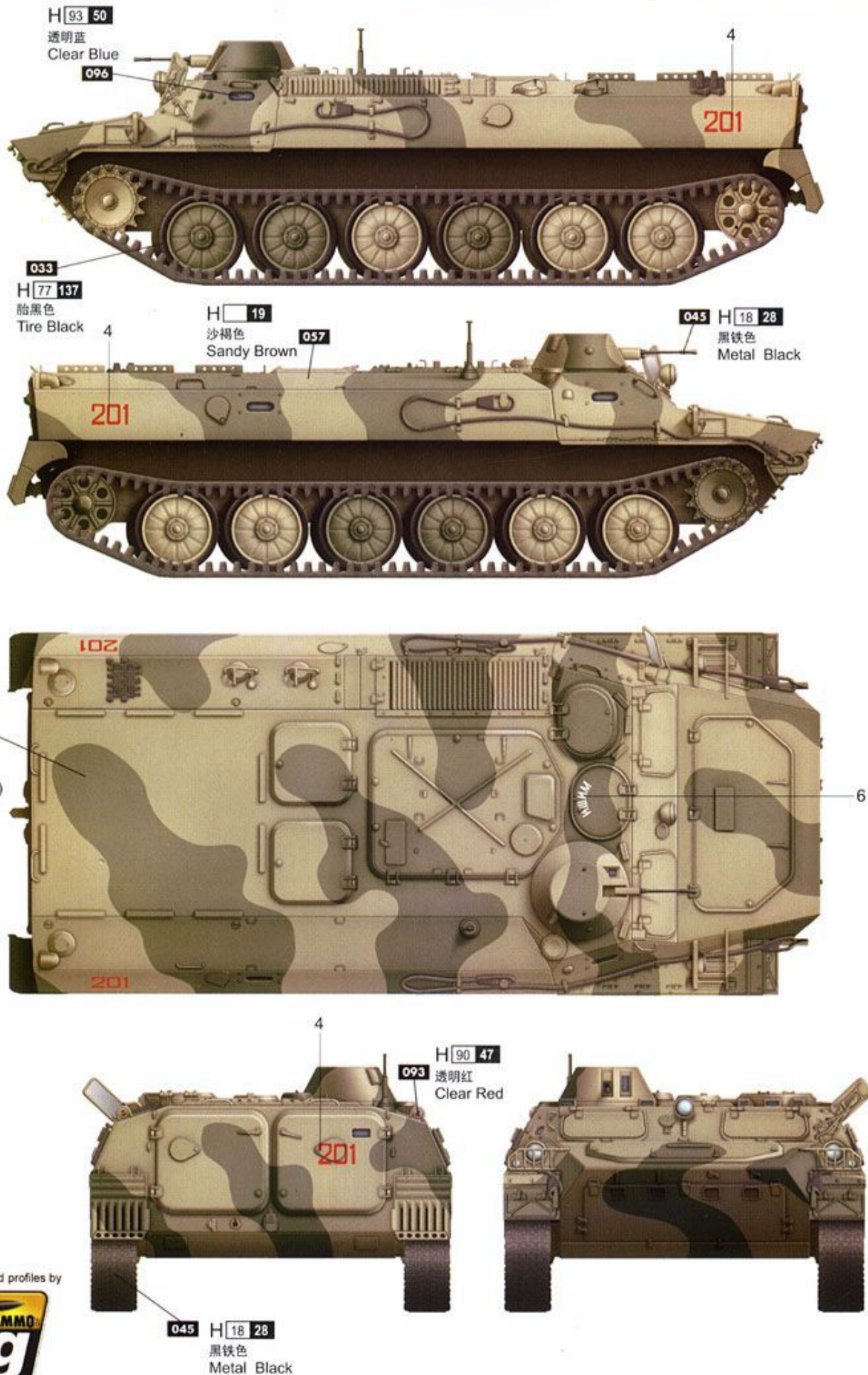
不用部件: A1, A2, A3, A4, A5, A6, A8, A10, A13, A14, A15
Unused parts:

涂装同标贴指示

Painting & Marking guide

COLOR	AMMO OF MIG JIMENEZ	MR. HOBBY	MODEL MASTER	TAMIYA	HUMBROL
TIRE BLACK	A.MIG-033	H[77] 137	—	—	—
GUN METAL	A.MIG-045	H[18] 28	1402	—	—
CRYSTAL RED	A.MIG-093	H[90] 47	—	X27	—
CRYSTAL PERISCOPE GREEN	A.MIG-096	H[93] 50	1516	XF15	61
YELLOW GREY	A.MIG-057	H[] 19	—	—	—
ZASHCHITNIY ZELENO	A.MIG-083	H[] 136	—	—	—

A



Color information and profiles by



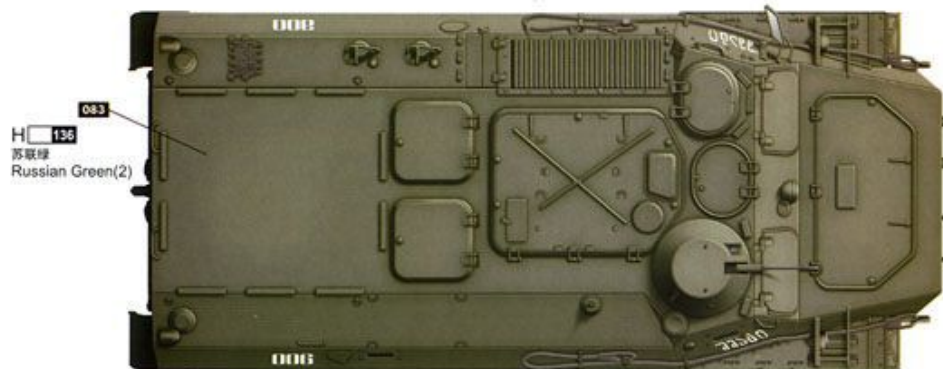
H AQUEOUS HOBBY COLOR ■ Mr. COLOR

HOBBY SEARCH

涂装同标贴指示 Painting & Marking guide

COLOR	ARMY OF MIG (JIMENEZ)	MR. HOBBY	MODEL MASTER	TAMIYA	NUMEROL
TIRE BLACK	A.MIG-033	H[77] 137	—	—	—
GUN METAL	A.MIG-045	H[18] 28	1402	—	—
CRYSTAL RED	A.MIG-093	H[90] 47	—	X27	—
CRYSTAL PERISCOPE GREEN	A.MIG-096	H[10] 36	1516	XF15	61
ZASHCHITNYI ZELENO	A.MIG-083	H[136] —	—	—	—

B



Color information and profiles by



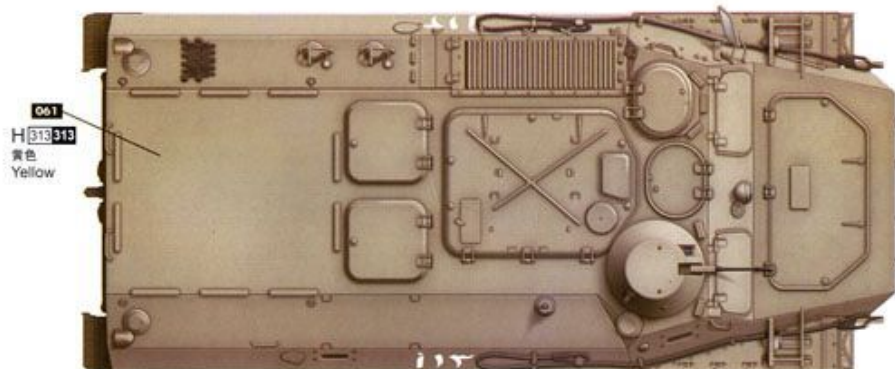
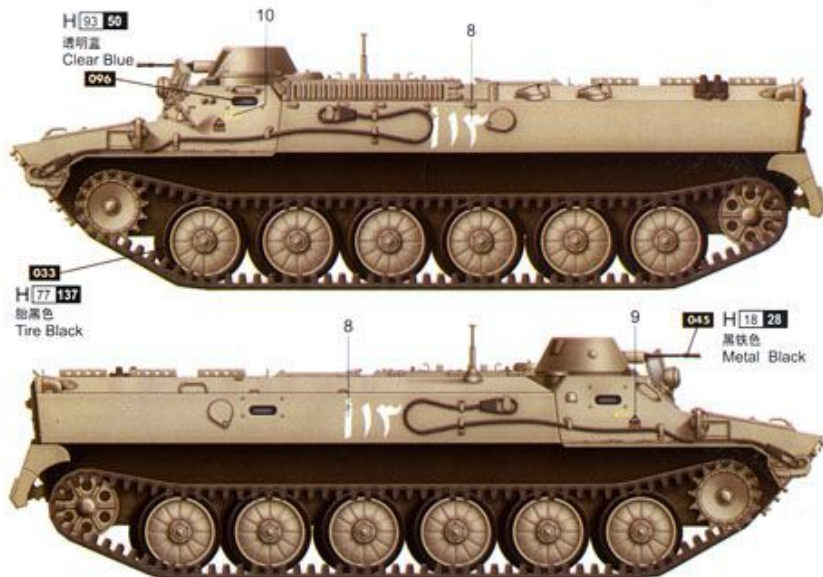
H[18] 28 黑铁色 Metal Black

H[] AQUEOUS HOBBY COLOR ■ Mr. COLOR

涂装同标贴指示 Painting & Marking guide

COLOR	ARMY OF MIG (JIMENEZ)	MR. HOBBY	MODEL MASTER	TAMIYA	NUMEROL
TIRE BLACK	A.MIG-033	H[77] 137	—	—	—
GUN METAL	A.MIG-045	H[18] 28	1402	—	—
CRYSTAL RED	A.MIG-093	H[90] 47	—	X27	—
CRYSTAL PERISCOPE GREEN	A.MIG-096	H[10] 36	1516	XF15	61
WARM SAND-YELLOW	A.MIG-061	H[318] 313	1706	—	121

C



Color information and profiles by



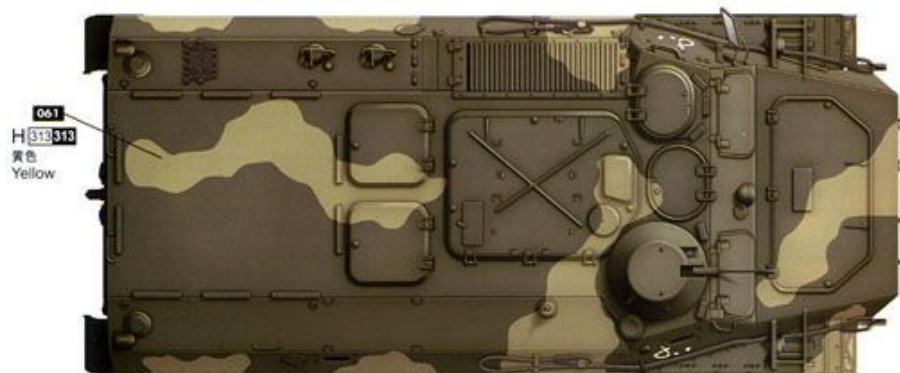
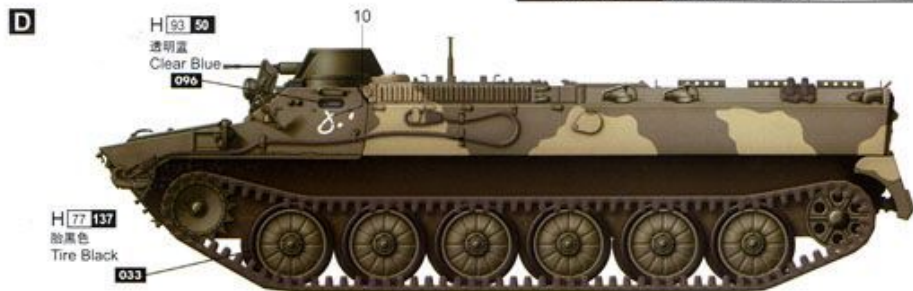
H[18] 28 黑铁色 Metal Black

H[] AQUEOUS HOBBY COLOR ■ Mr. COLOR

涂装同标贴指示

Painting & Marking guide

COLOR	SERIES OF MIG JIMENEZ	MIG HOBBY	MODEL MASTER	TAMIYA	NUMBRO.
TIRE BLACK	A.MIG-033	H[77] 137	---	---	---
GUN METAL	A.MIG-045	H[18] 28	1402	---	---
CRYSTAL RED	A.MIG-093	H[90] 47	---	X27	---
CRYSTAL PERISCOPE GREEN	A.MIG-096	H[302] 302	1516	XF15	61
YELLOW GREY	A.MIG-057	H[06] 19	---	---	---
OLIVE DRAB	A.MIG-081	H[93] 50	1711	XF62	155



Color information and profiles by



涂装同标贴指示

Painting & Marking guide

COLOR	SERIES OF MIG JIMENEZ	MIG HOBBY	MODEL MASTER	TAMIYA	NUMBRO.
TIRE BLACK	A.MIG-033	H[77] 137	---	---	---
GUN METAL	A.MIG-045	H[18] 28	1402	---	---
CRYSTAL RED	A.MIG-093	H[90] 47	---	X27	---
CRYSTAL PERISCOPE GREEN	A.MIG-096	H[302] 302	1516	XF15	61
WARM SAND-YELLOW	A.MIG-061	H[06] 19	1700	---	121
DARK GREEN	A.MIG-915	H[302] 302	1764	XF26	149
OLIVE DRAB DARK BASE	A.MIG-925	H[925] 925	---	---	---



Color information and profiles by



涂装同标贴指示 Painting & Marking guide

COLOR	ARMO OF MIG JIMENEZ	MR HOBBY	MODEL MASTER	TAMIYA	NUMBRAL
TIRE BLACK	A.MIG-033	H[10] 101	—	—	—
GUN METAL	A.MIG-045	H[18] 28	1402	—	—
CRYSTAL RED	A.MIG-093	H[90] 47	—	X27	—
CRYSTAL PERISCOPE GREEN	A.MIG-096	H[10] 28	1516	XF15	61
PROTECTIVE NC 1200	A.MIG-053	H[20] 200	1710	XF58	116
ZASHCHITNIY ZELENO	A.MIG-083	H[136] 136	—	—	—
SIGNAL GREEN	A.MIG-054	H[10] 202	1716	—	120



Color information and profiles by

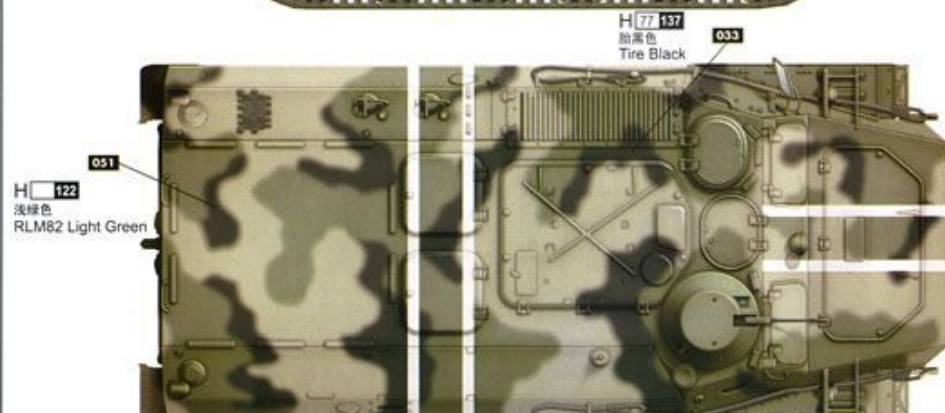


H[18] 28
黑铁色
Metal Black

H[] AQUEOUS HOBBY COLOR ■ Mr. COLOR

涂装同标贴指示 Painting & Marking guide

COLOR	ARMO OF MIG JIMENEZ	MR HOBBY	MODEL MASTER	TAMIYA	NUMBRAL
TIRE BLACK	A.MIG-033	H[10] 101	—	—	—
GUN METAL	A.MIG-045	H[18] 28	1402	—	—
CRYSTAL RED	A.MIG-093	H[90] 47	—	X27	—
CRYSTAL PERISCOPE GREEN	A.MIG-096	H[10] 28	1516	XF15	61
PROTECTIVE NC 1200	A.MIG-053	H[20] 200	1710	XF58	116
SIGNAL GREEN	A.MIG-083	H[136] 136	—	—	—
YELLOW GREEN	A.MIG-054	H[10] 202	1716	—	120
WHITE	A.MIG-057	H[18] 18	—	—	—
LIGHT GREEN RLM82	A.MIG-047	H[122] 122	1745	X2	22
—	A.MIG-051	H[120] 120	—	—	—



Color information and profiles by



H[18] 28
黑铁色
Metal Black

H[516] 516
白色
White Insignia

H[] AQUEOUS HOBBY COLOR ■ Mr. COLOR

涂装同标贴指示

Painting & Marking guide

COLOR	AMMO OF MIG/JIMENEZ	MR.HOBBY	MODEL MASTER	TAMIYA	HUMBROL
TIRE BLACK	A.MIG-033	H77 137	—	—	—
GUN METAL	A.MIG-045	H18 28	1402	—	—
CRYSTAL RED	A.MIG-093	H90 47	—	X27	—
CRYSTAL PERISCOPE GREEN	A.MIG-096	H93 50	1516	XF15	61
WHITE	A.MIG-047	H316 316	1745	X2	22
YELLOW GREY	A.MIG-057	H19 19	—	—	—
MEDIUM BROWN	A.MIG-070	H37 43	1701	—	186
ZASHCHITNIY ZELENO	A.MIG-083	H136 136	—	—	—

H

H93 50
透明蓝
Clear Blue

096



033

H77 137
胎黑色
Tire Black

H18 28

黑铁色
Metal Black

045

070 H37 43

木棕色
Wood Brown

057

H19 19

沙褐色
Sandy Brown



H316 316

白色
White Insignia

047

083

H136 136

苏联绿
Russian Green(2)



093 H90 47

透明红
Clear Red



045 H18 28

黑铁色
Metal Black



Color information and profiles by



H AQUEOUS HOBBY COLOR

Mr. COLOR

HOBBY SEARCH