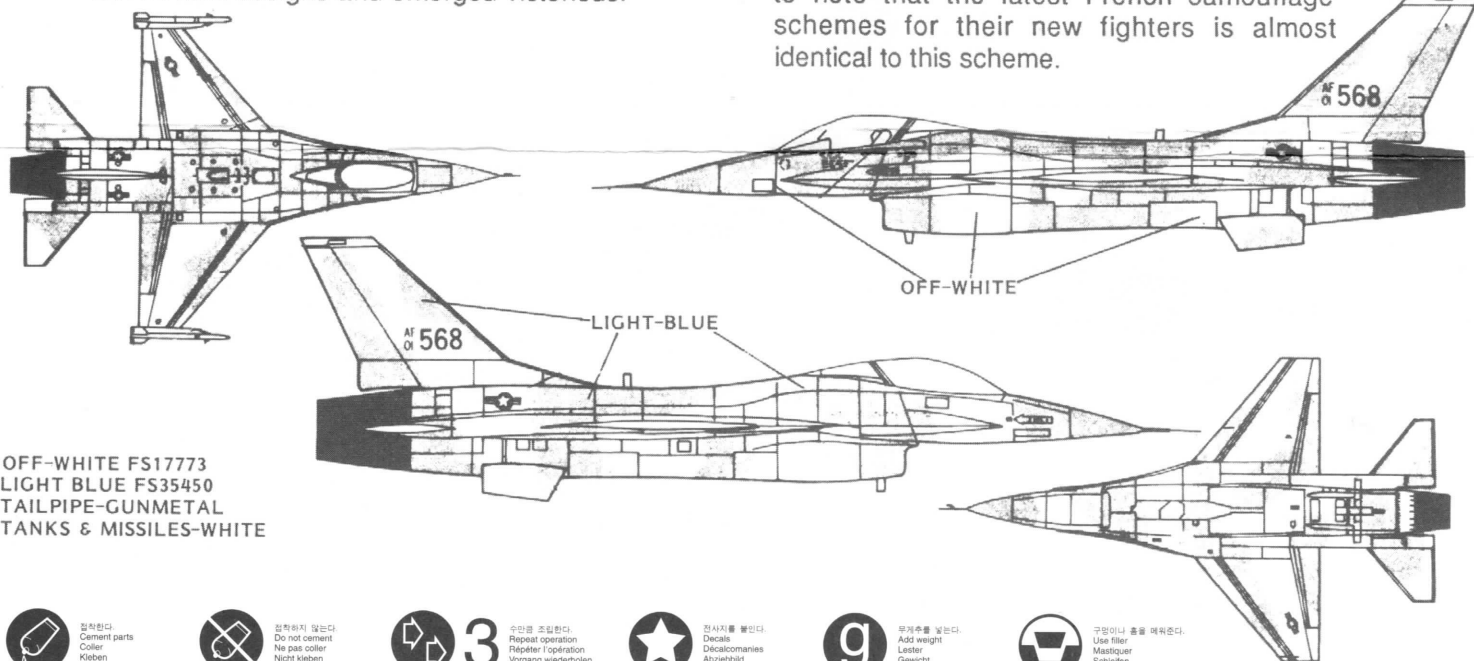


# YF-16A



The sleek F-16 Fighting Falcon is one of the latest fighters to go into service with the USAF. It was the result of an Air Force competition for a relatively inexpensive light-weight fighter to carry the brunt of combat. It is expected to be in service well into the twenty-first century. With nearly a thousand planes now in service with air forces throughout the free world, the plane has proven to be one of the finest fighting machines ever built. It has been used in combat against several Soviet-built designs and emerged victorious.

This YF-16A was the second F-16 built and was used to evaluate the characteristics of the new type. One of the important factors of the evaluation of a combat machine is in the determining of a proper color scheme to help conceal the plane from the eyes of the enemy pilots. The markings on this model of the YF-16A represent one of the interesting color patterns used to determine the effectiveness of the camouflage. Eventually a scheme of all gray shades was adopted, but it is interesting to note that the latest French camouflage schemes for their new fighters is almost identical to this scheme.



OFF-WHITE FS17773  
LIGHT BLUE FS35450  
TAILPIPE-GUNMETAL  
TANKS & MISSILES-WHITE



접착한다  
Cement parts  
Coller  
Kleben



접착하지 않는다  
Do not cement  
Ne pas coller  
Nicht kleben



3 수반을 반복한다  
Repeat operation  
Répéter l'opération  
Vorgang wiederholen



전사지를 붙인다  
Decals  
Décalcomanies  
Abziehbild



무게추를 넣는다  
Add weight  
Léster  
Gewicht



구멍이나 홈을 메워준다  
Use filler  
Mastiquer  
Schleifen



잘라낸다  
Cut away  
Couper  
Schneiden



선택한다  
Optional parts  
Choix  
Auswahlmöglichkeit



반대쪽도 조립한다  
Repeat for opposite side  
Répétition de la page  
Wiederholung für gegenüberliegende Seite



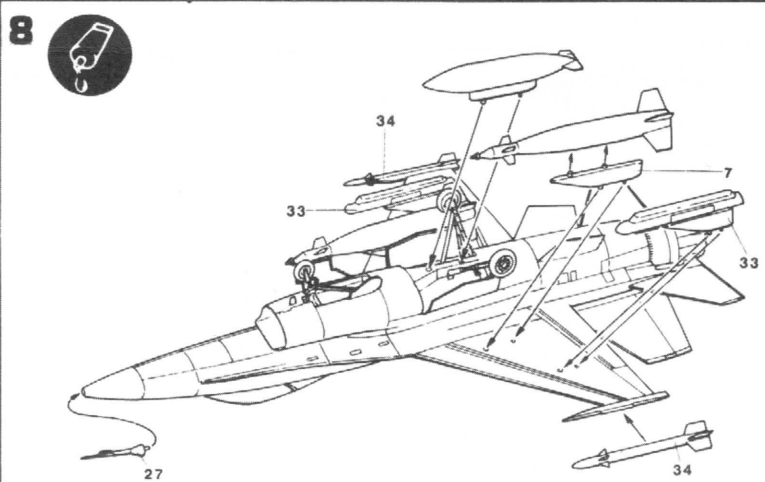
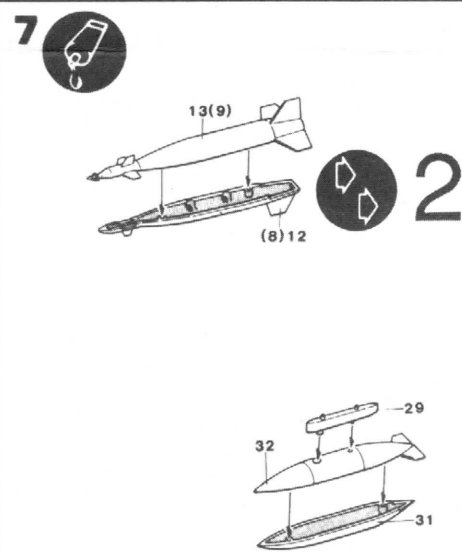
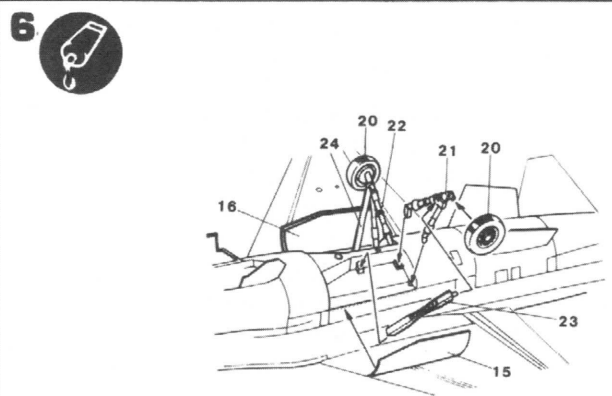
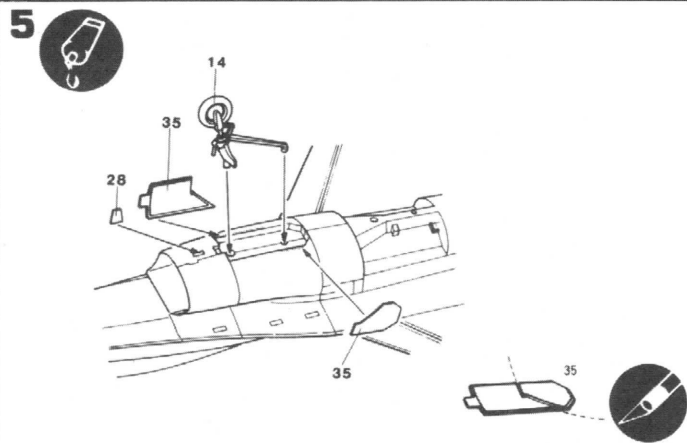
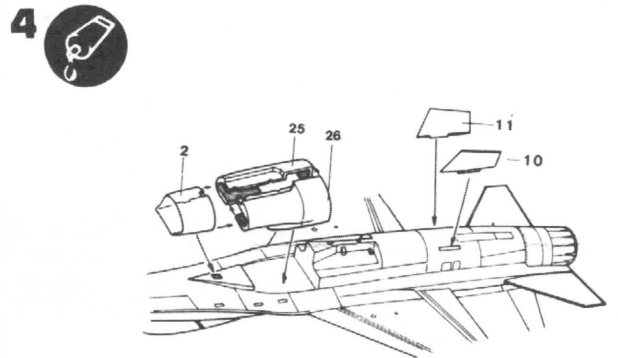
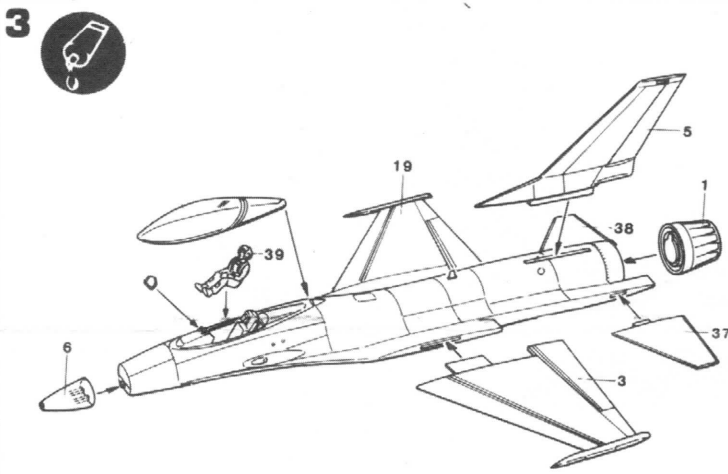
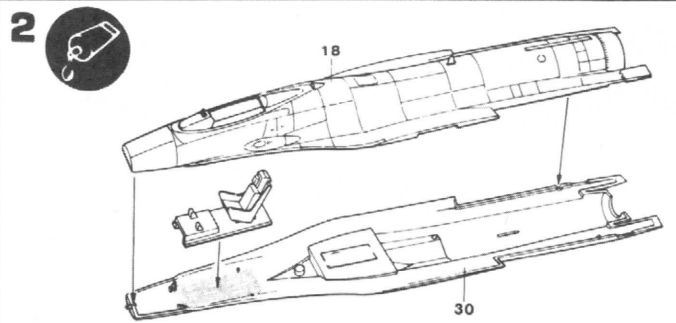
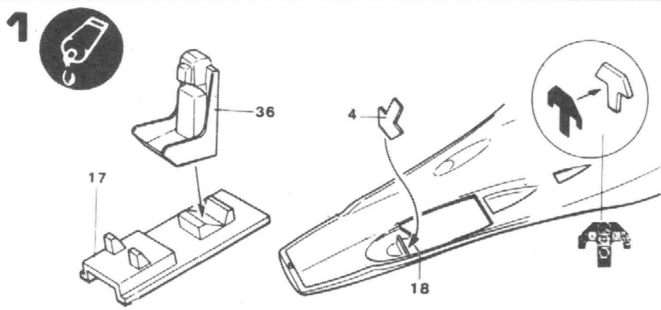
구멍을 뚫어준다  
Make hole  
Faire un trou  
Ötzen



주의한다  
Be careful  
Faire attention  
Hier Vorsicht



색칠 및 전사지 붙이기 번호  
Painting scheme number  
Numeros de la liste de peintures  
Lackierschemanummer



**ACADEMY**  
HOBBY MODEL KITS

**ACADEMY**  
ACADEMY PLASTIC MODEL CO., LTD.  
고객상담문의 : 031-850-8555