

Mörser Karl-Gerät 040/041

1:35 SCALE

德国“卡尔”自行迫击炮

READ BEFORE ASSEMBLY:

- This kit is not recommended for inexperienced modelers or for children under 14 years of age
- Study and understand these instructions thoroughly before beginning assembly
- When needed, remove photo-etch parts carefully using a modeling knife or photo etch sprue cutter, being careful not to damage or lose small parts.
- Take extra care in handling photo etch parts in order to avoid injury
- Apply instant cement sparingly to photo etch parts where instructed

- Tools recommended(not included in kit):Plastic and instant cements,sprue cutters,long nose pliers,,modeling knife, small files, tweezers, pin vise & scissors. Soft cloth and sandpaper will also assist in construction
- Glue and paint are not included in the kit. Use plastic cement and hobby paints only. Color guide for purchasing paint is included in the kit.
- Keep out of reach of small children. They must not be allowed to ingest small parts or handle plastic bags in any way.

装配之前仔细阅读

- 小心用模型锉刀锉平所有零件表面的注射浇口。
- 小心用刀片切下蚀刻片零件，不要遗失小零件。
- 用强力快干胶水粘合蚀刻片零件和金属轴。过量的快干胶水使用可能导致可动零件会粘住，小心涂胶。
- 取蚀刻片时应特别注意安全，防止利边划伤手指。
- 某些零件表面需贴上水贴纸，请选择在装配的同时进行。
- 推荐模型工具(自备)：胶水，水口剪刀，长咀钳，刀片，锉刀，镊子钳，钻，剪刀，瞬间快干胶。
- 软布同砂纸同时也应该是必备工具。
- 请使用塑料胶水和油漆，模型内不含。
- 谨防小孩吸吮塑料零件，或者将塑料袋套在头上，制作时应将套材远离小孩接触。
- 本产品不适合14岁以下没有经验的模型爱好者。

水贴纸的使用:

1. 从水贴纸上剪下印花;
2. 将印花放入温水中浸10秒, 然后放在干净布上.
3. 拿着印花纸板将印花移到模型上;
4. 手指蘸水将印花移到适当的位置;
5. 用软布轻压印花直至水干, 汽泡消失.

DECAL APPLICATION:

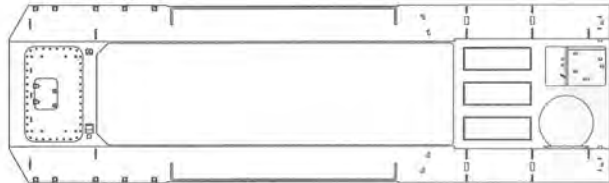
- 1.Cut decals from sheet as needed
2. Dip the decal in warm water for about 10 seconds and then place on soft clean cloth.
3. Hold the decal backing sheet edge and gently slide the decal onto the model in its proper position.

4. While still wet,decal can be adjusted for better fit on model by dampening it gently with your finger.
5. When placed in the proper position,gently press decal down with a soft cloth until excess water and air bubbles are gone.
6. Allow decal to dry completely before handling model

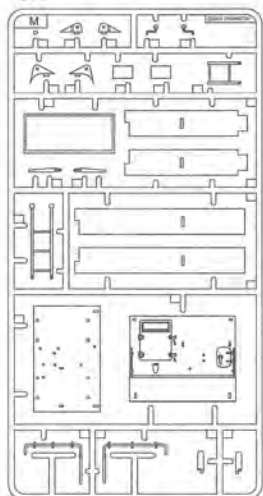


部品图
parts

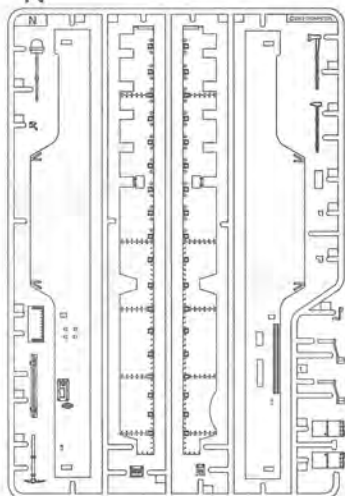
车面
UPPER HULL



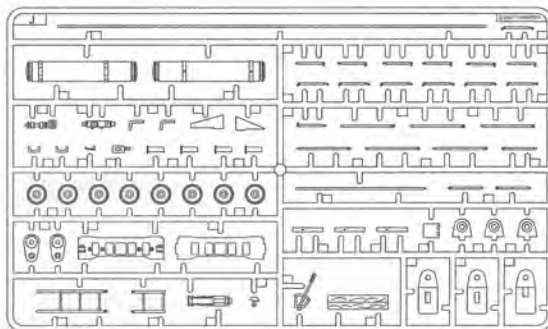
M



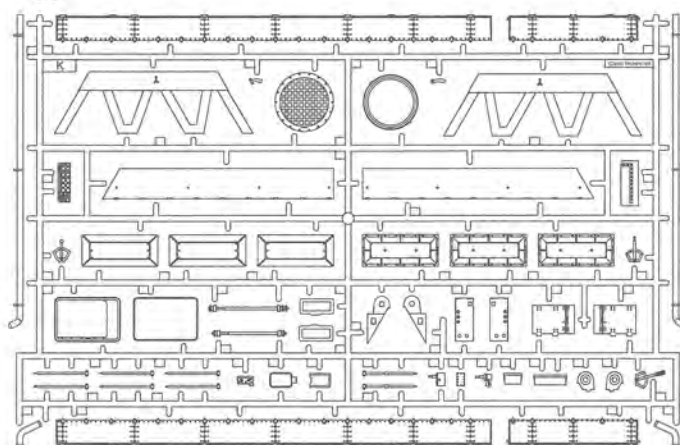
N



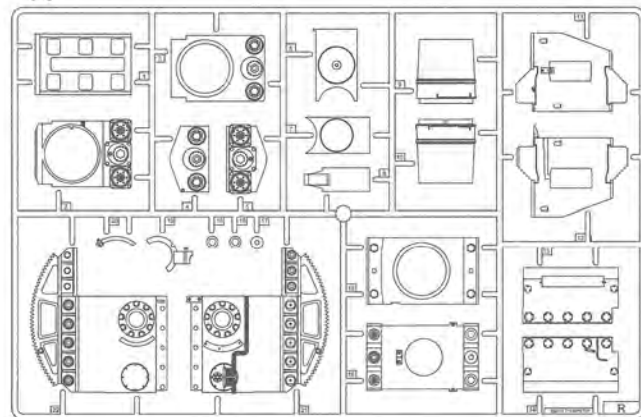
J×2



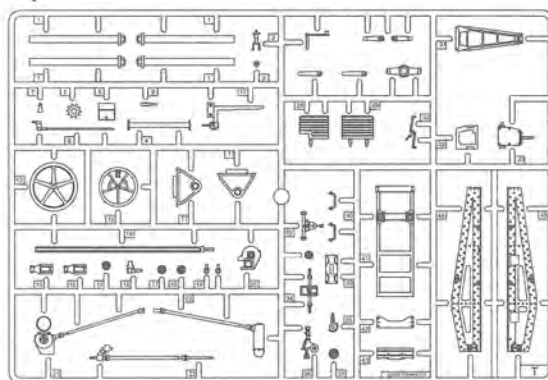
K



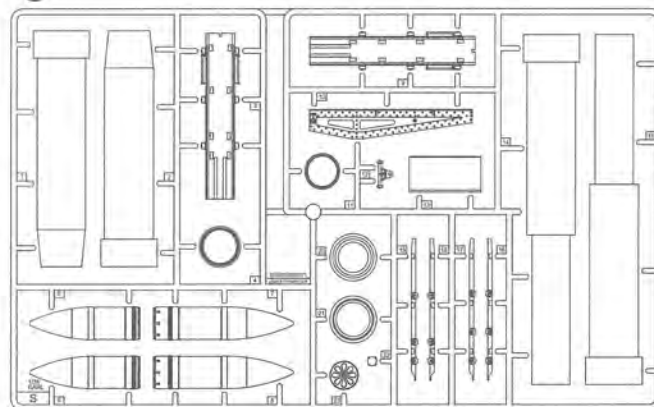
R



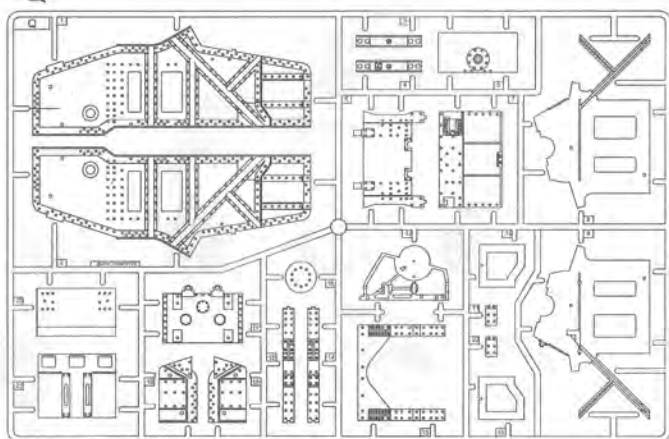
T



S



Q



蚀刻片
Photo etched part(PE)



轻型炮弹
Lighter shell

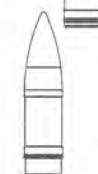


弹簧 $\phi 4.0 \times 35\text{mm} \times 4$
Spring $\phi 4.0 \times 35\text{mm} \times 4$

长金属轴 $\phi 2.0 \times 35\text{mm} \times 2$
Long shaft $\phi 2.0 \times 35\text{mm} \times 2$

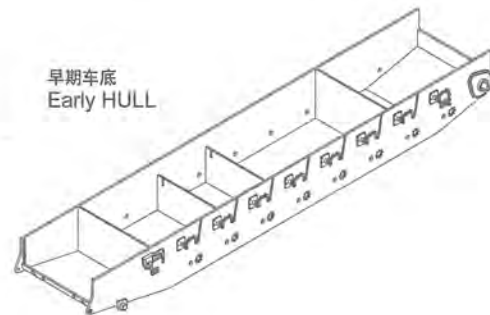
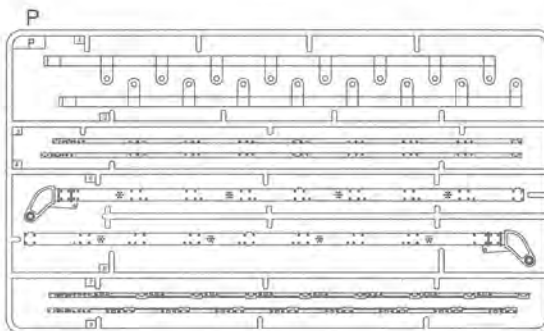
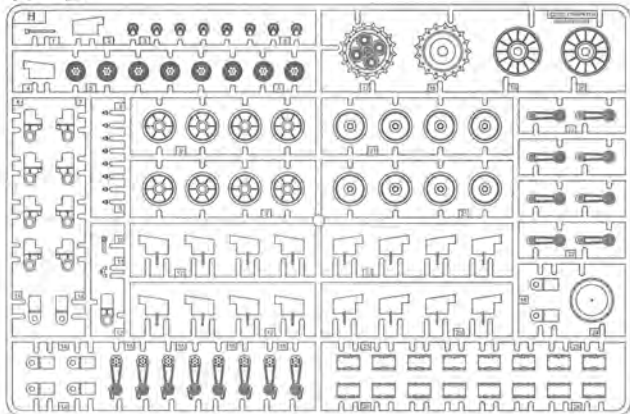
短金属轴 $\phi 2.5 \times 16\text{mm}$
Short shaft $\phi 2.5 \times 16\text{mm}$

重型炮弹
Heavy shell



早期部品图
Early KARL parts

H×2



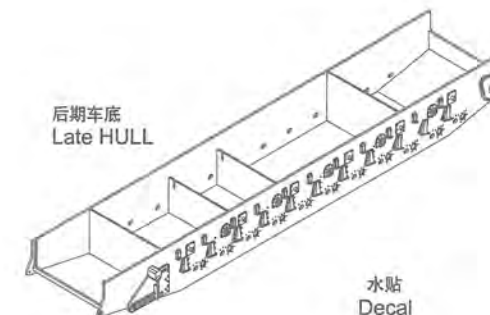
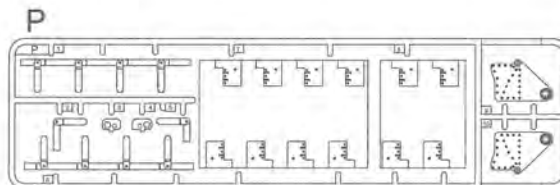
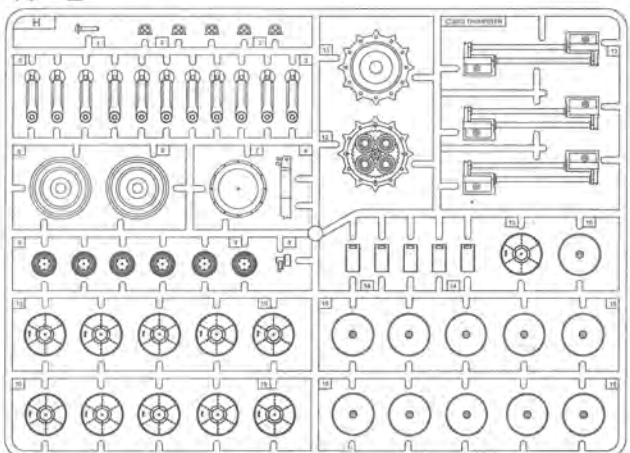
早期车底
Early HULL

履带×2



后期部品图
Late KARL parts

H×2

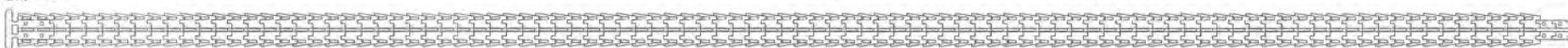


后期车底
Late HULL

水贴
Decal

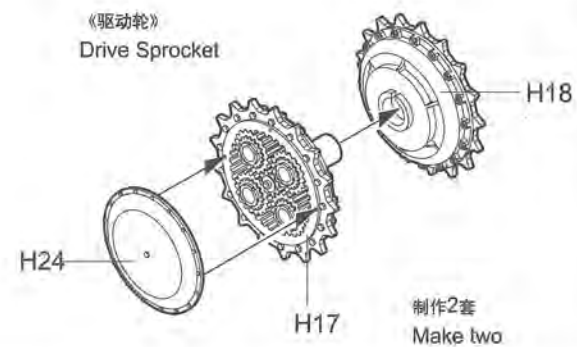
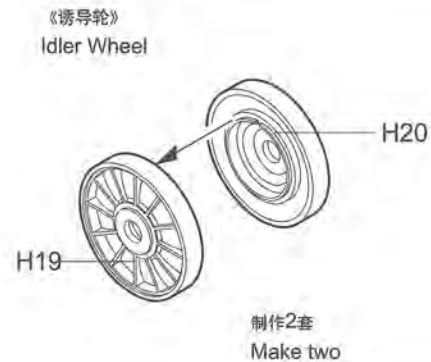
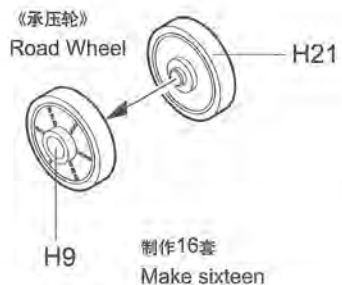
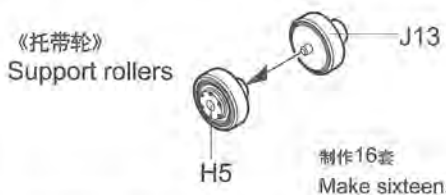
- 1. 德意志国防军 Thov
 - 2. 德意志国防军 Thov
 - 3. 德意志国防军 ZU
 - 4. 德意志国防军 ZU
 - 5. 德意志国防军 SoPl
 - 6. 德意志国防军 SoPl
 - 7. 德意志国防军
 - 8. 德意志国防军
- 00215 1/35 Mörser Karl-Garrll 040/041

履带×2

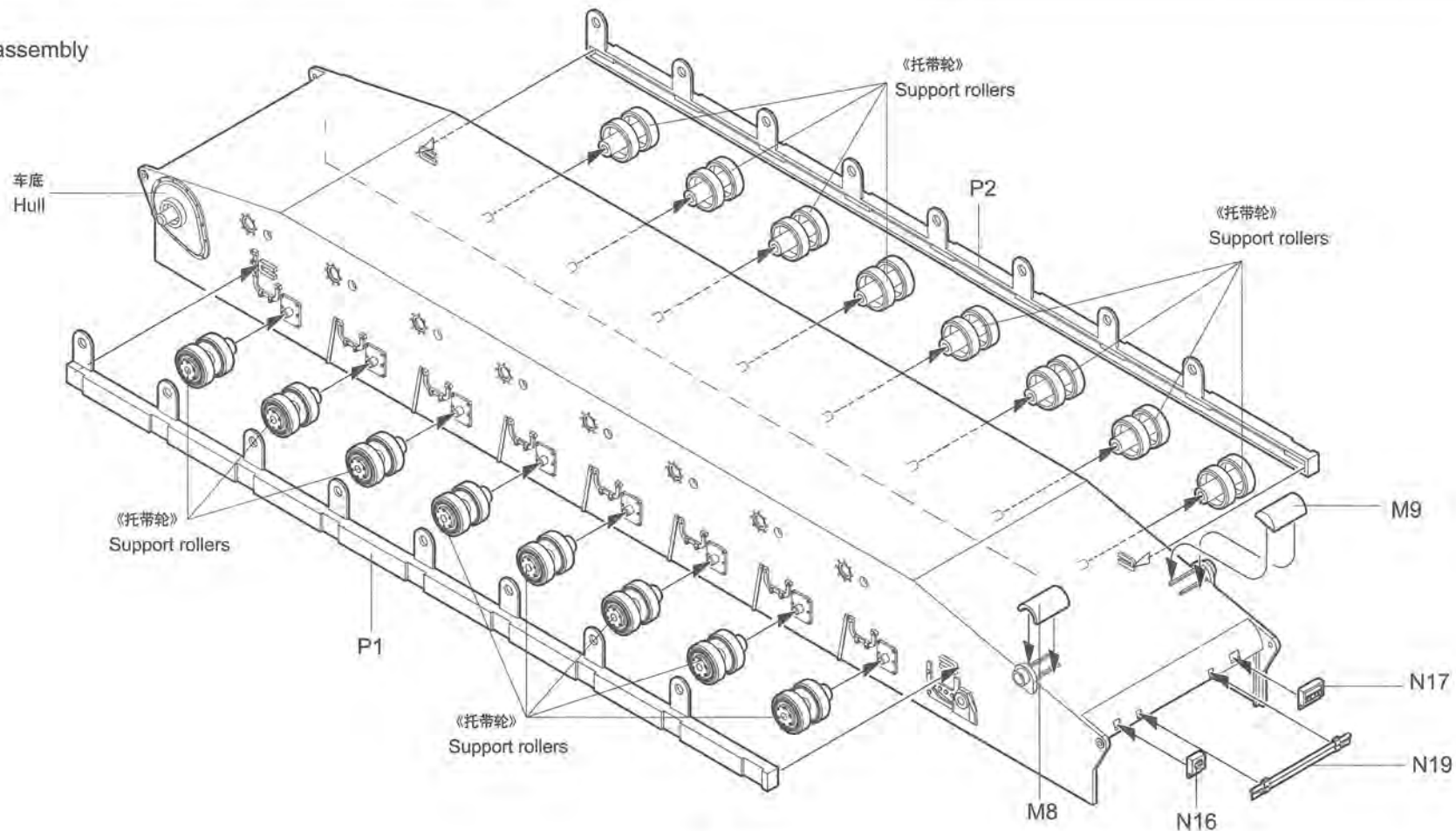


早期卡尔车底部分组装说明
Mortar early Chassis assembly instruction

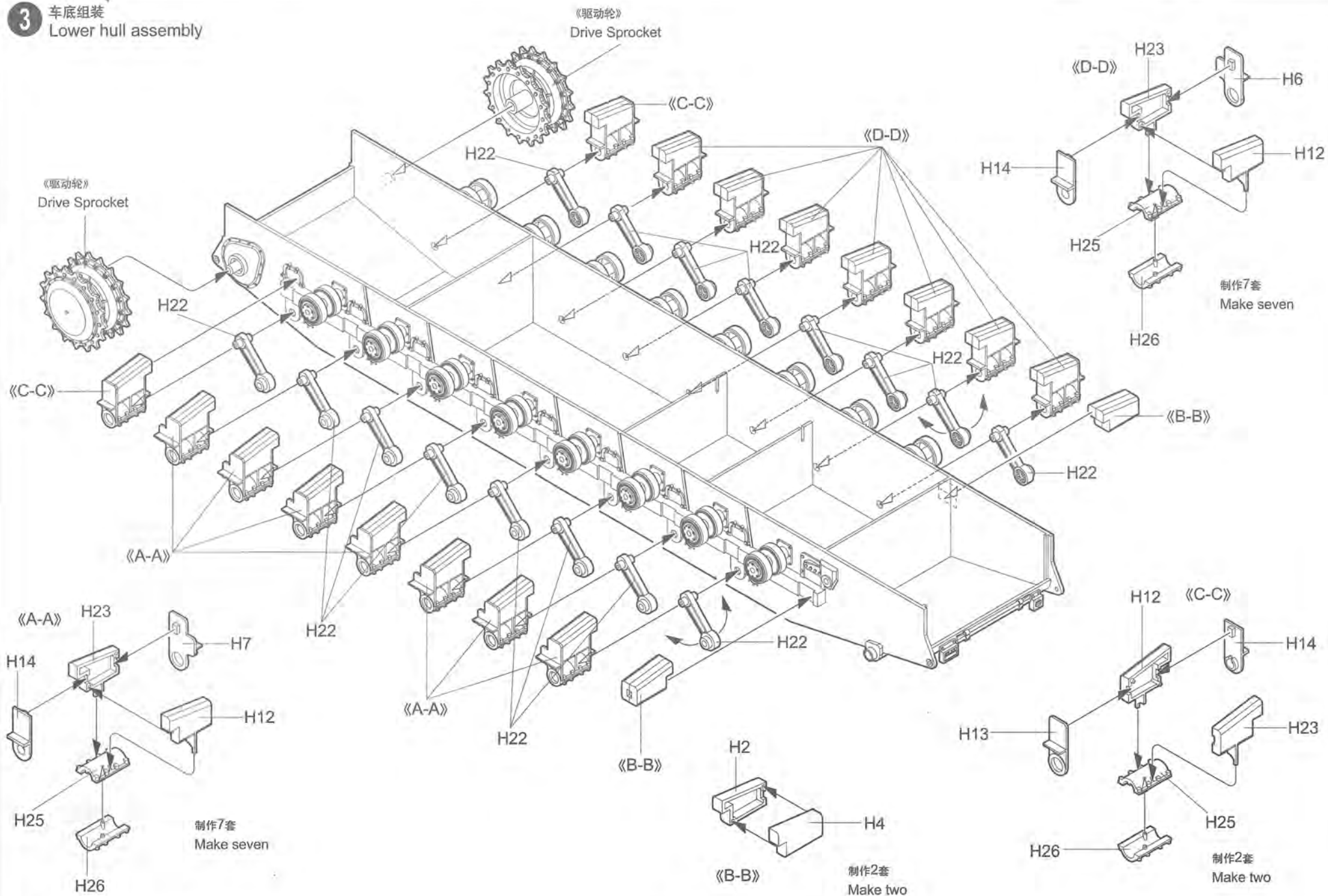
1 车轮组装
Wheel assembly



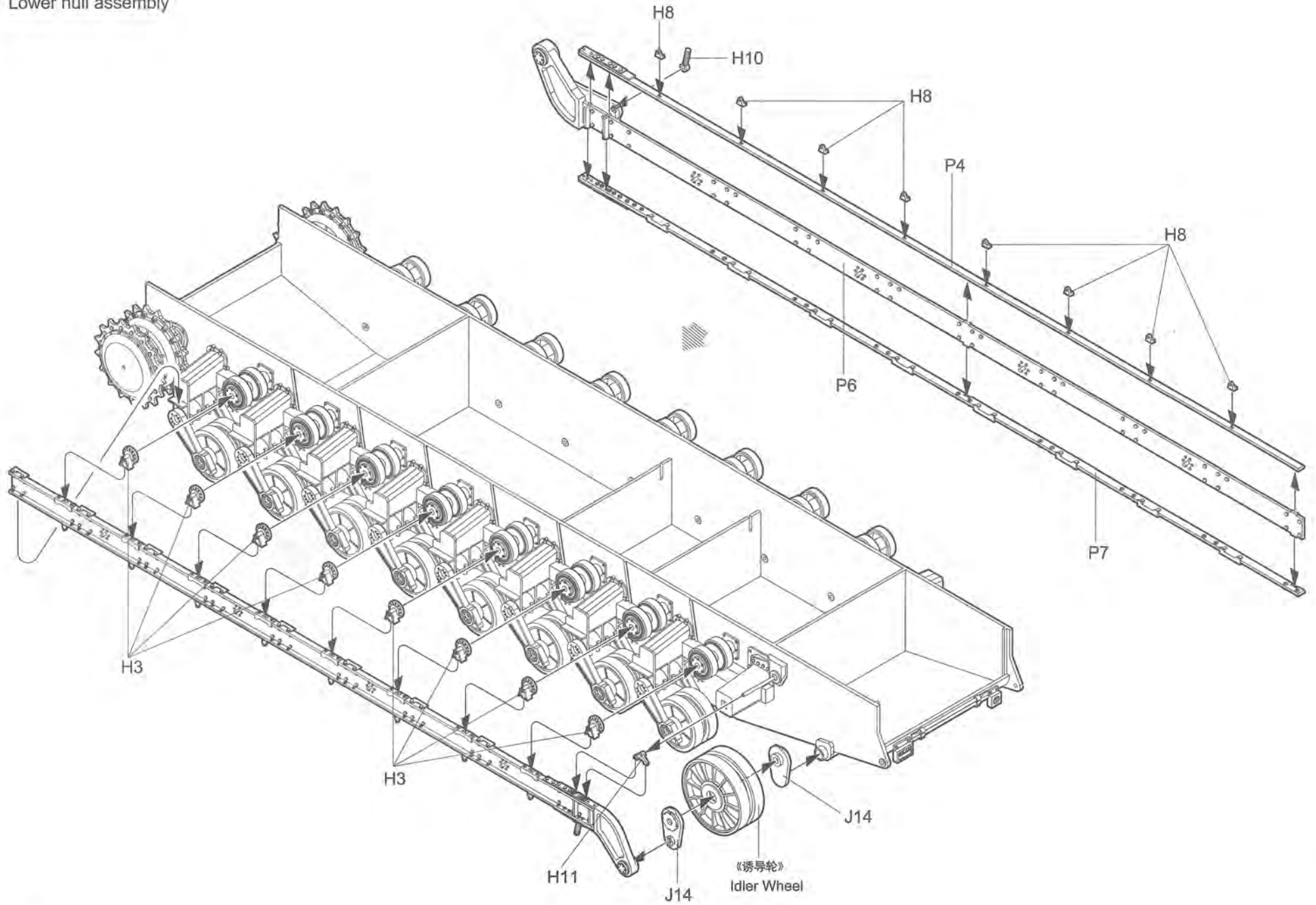
2 车底组装
Lower hull assembly



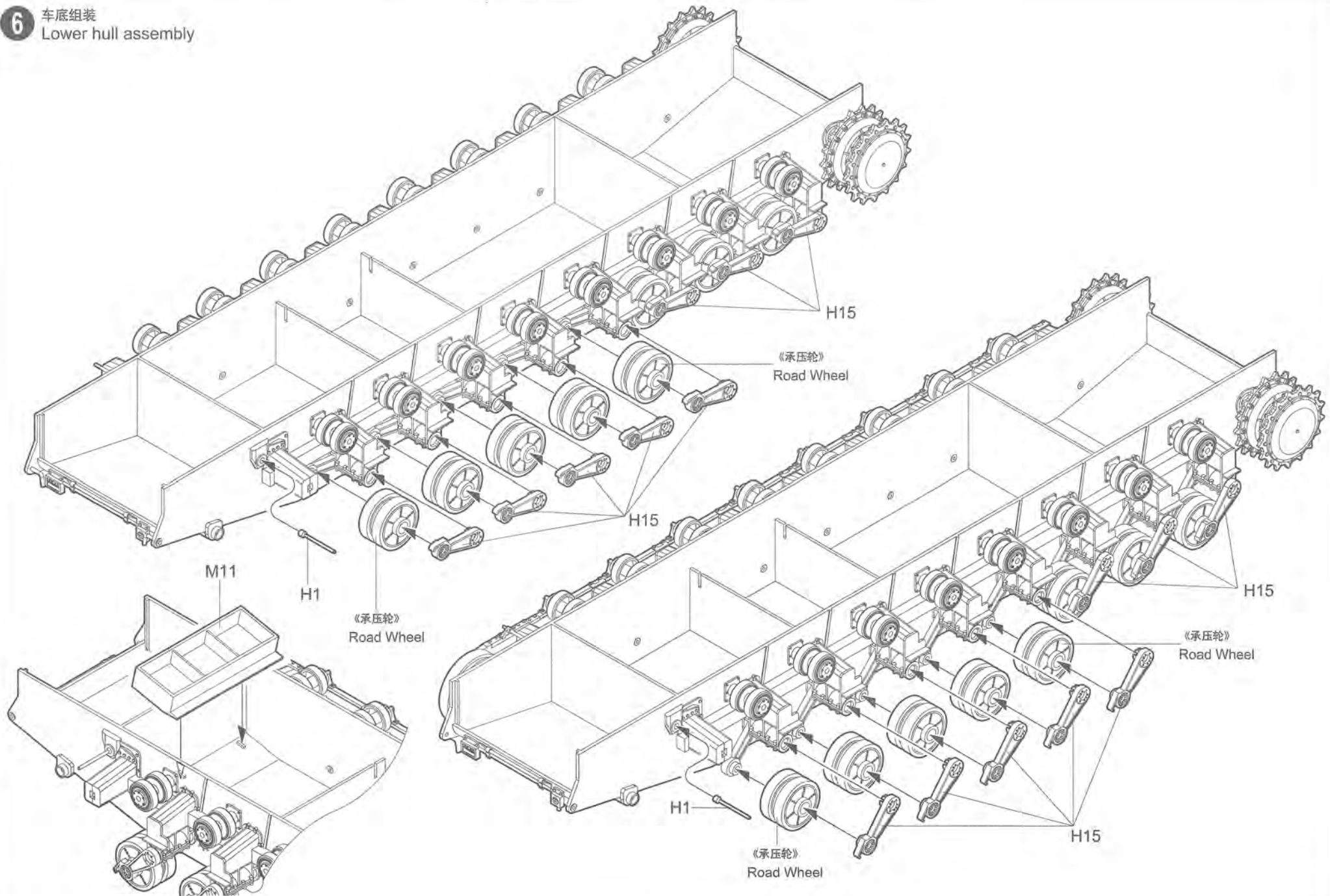
3 车底组装
Lower hull assembly



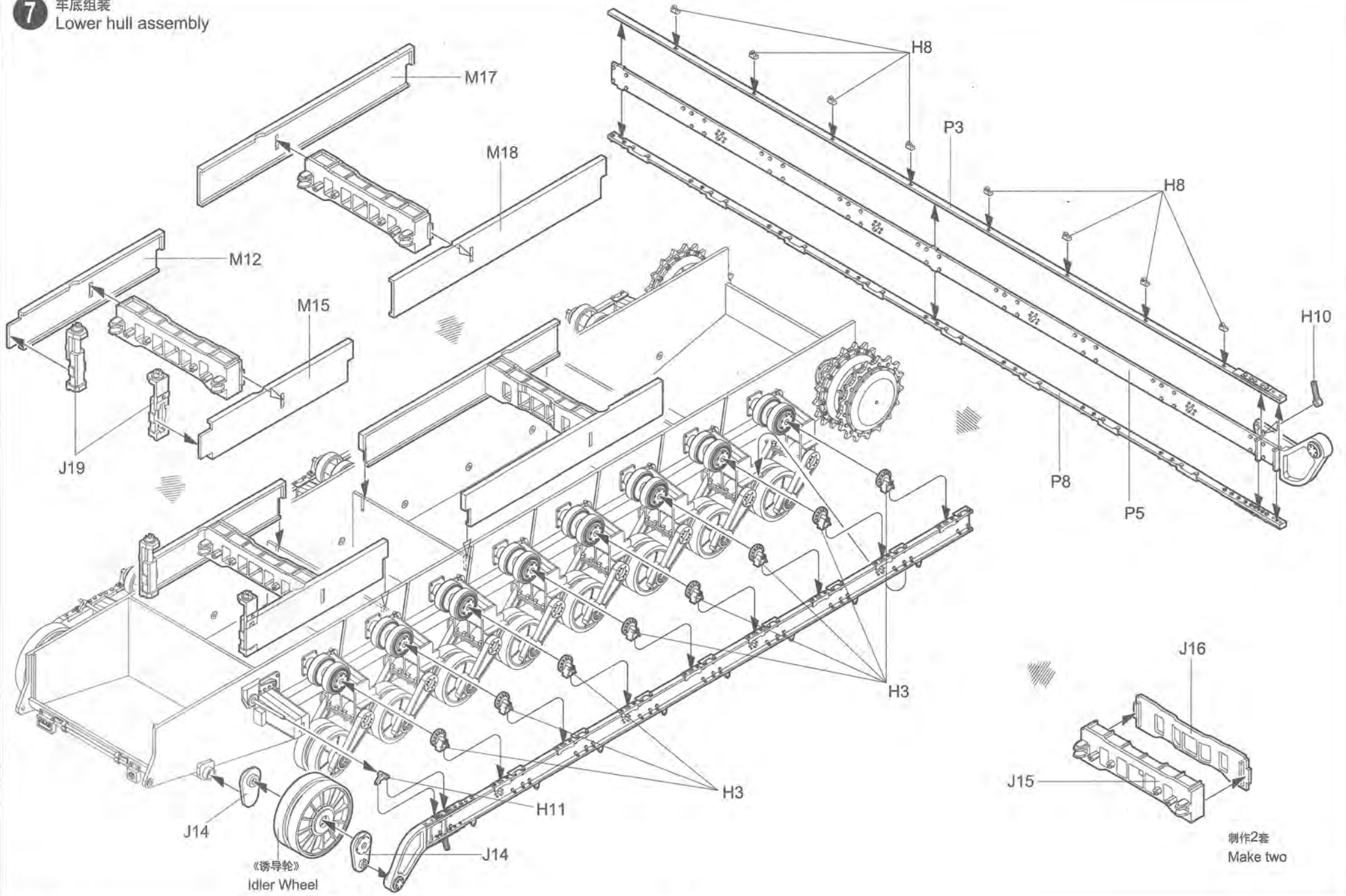
5 车底组装
Lower hull assembly



6 车底组装
Lower hull assembly



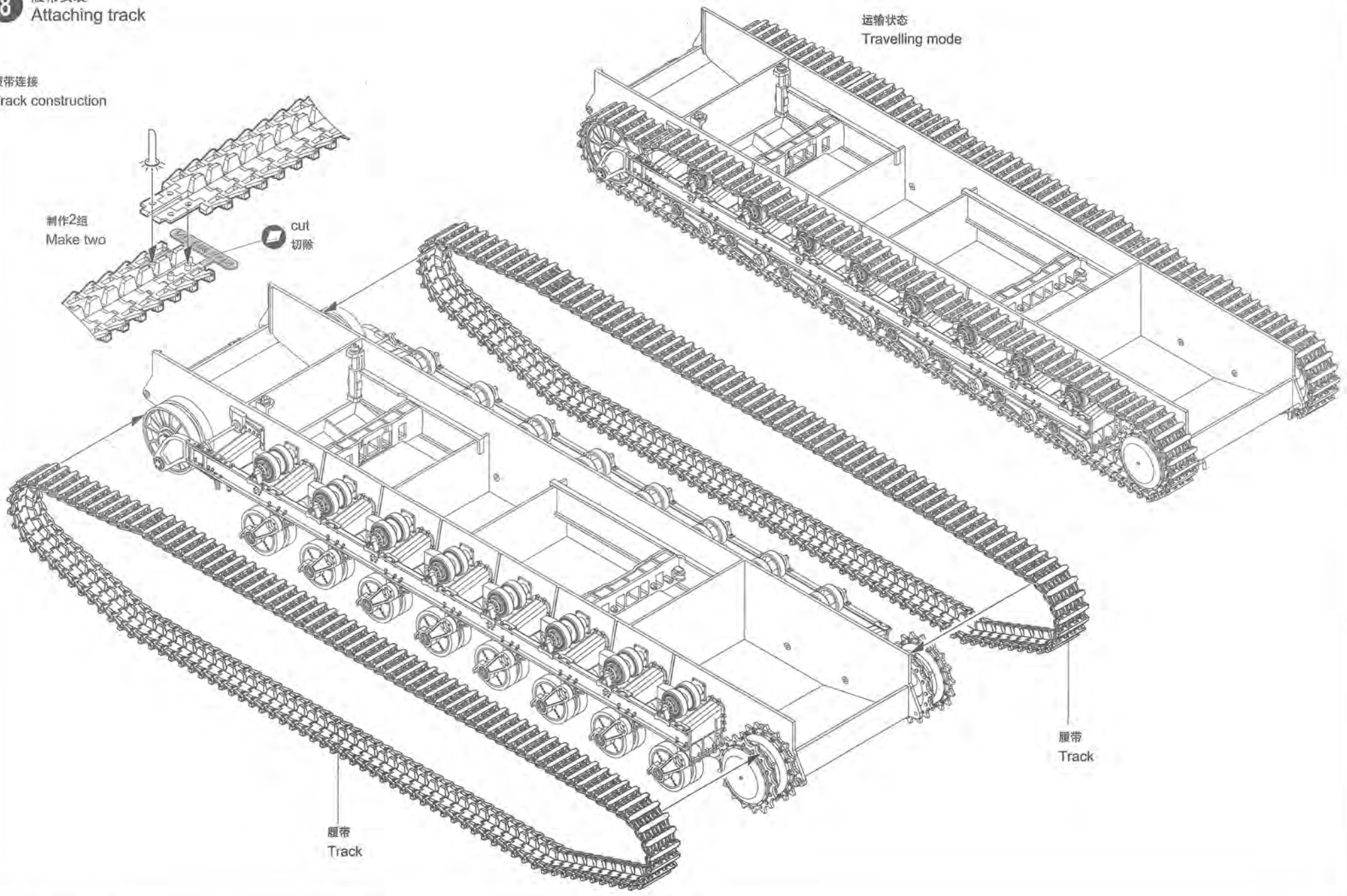
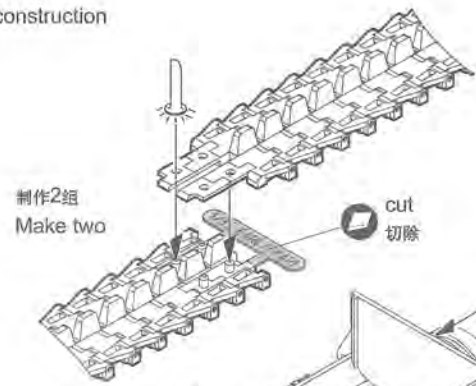
7 车底组装
Lower hull assembly



制作2套
Make two

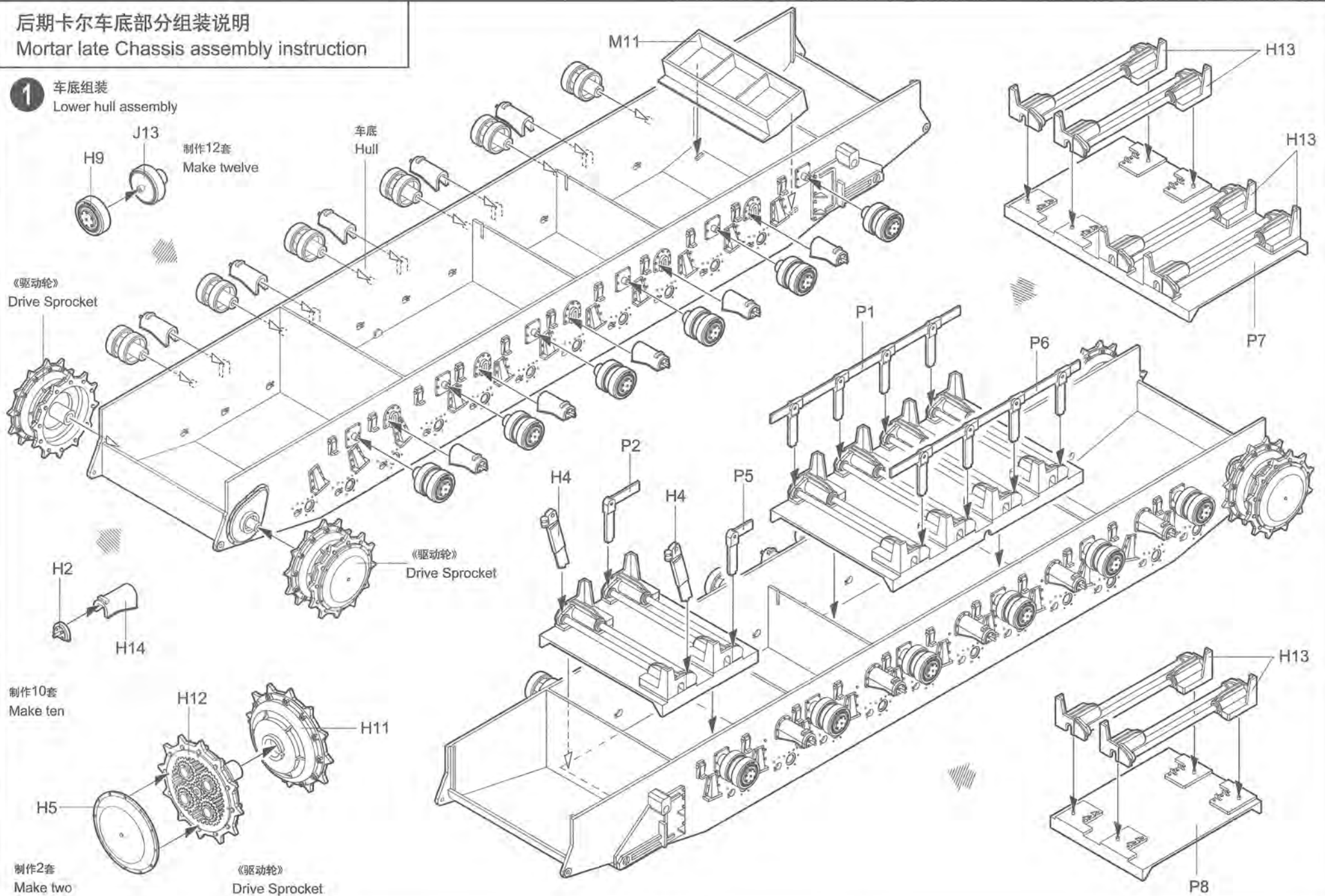
8 履带安装
Attaching track

履带连接
Track construction

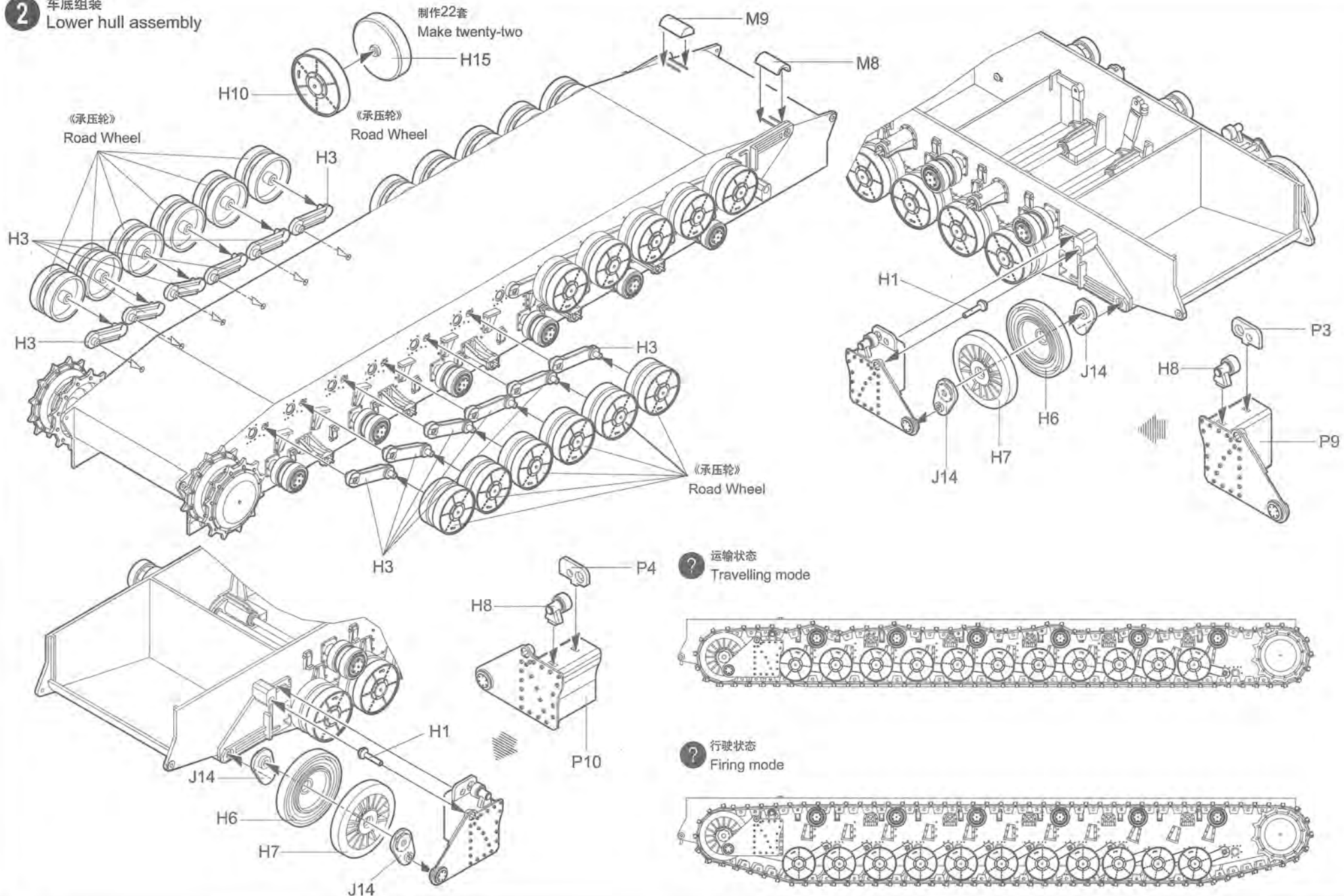


后期卡尔车底部分组装说明
Mortar late Chassis assembly instruction

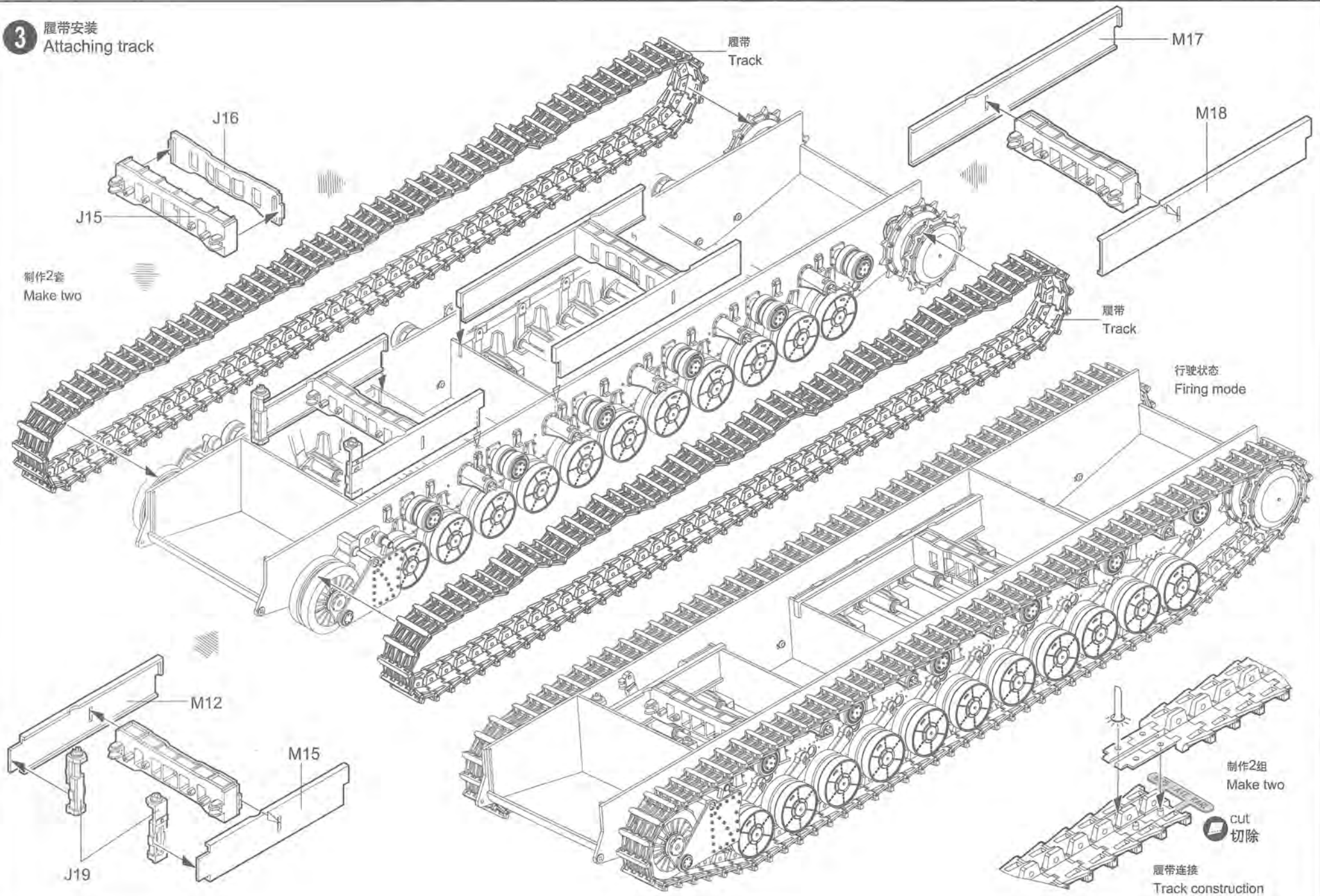
1 车底组装
Lower hull assembly



2 车底组装
Lower hull assembly



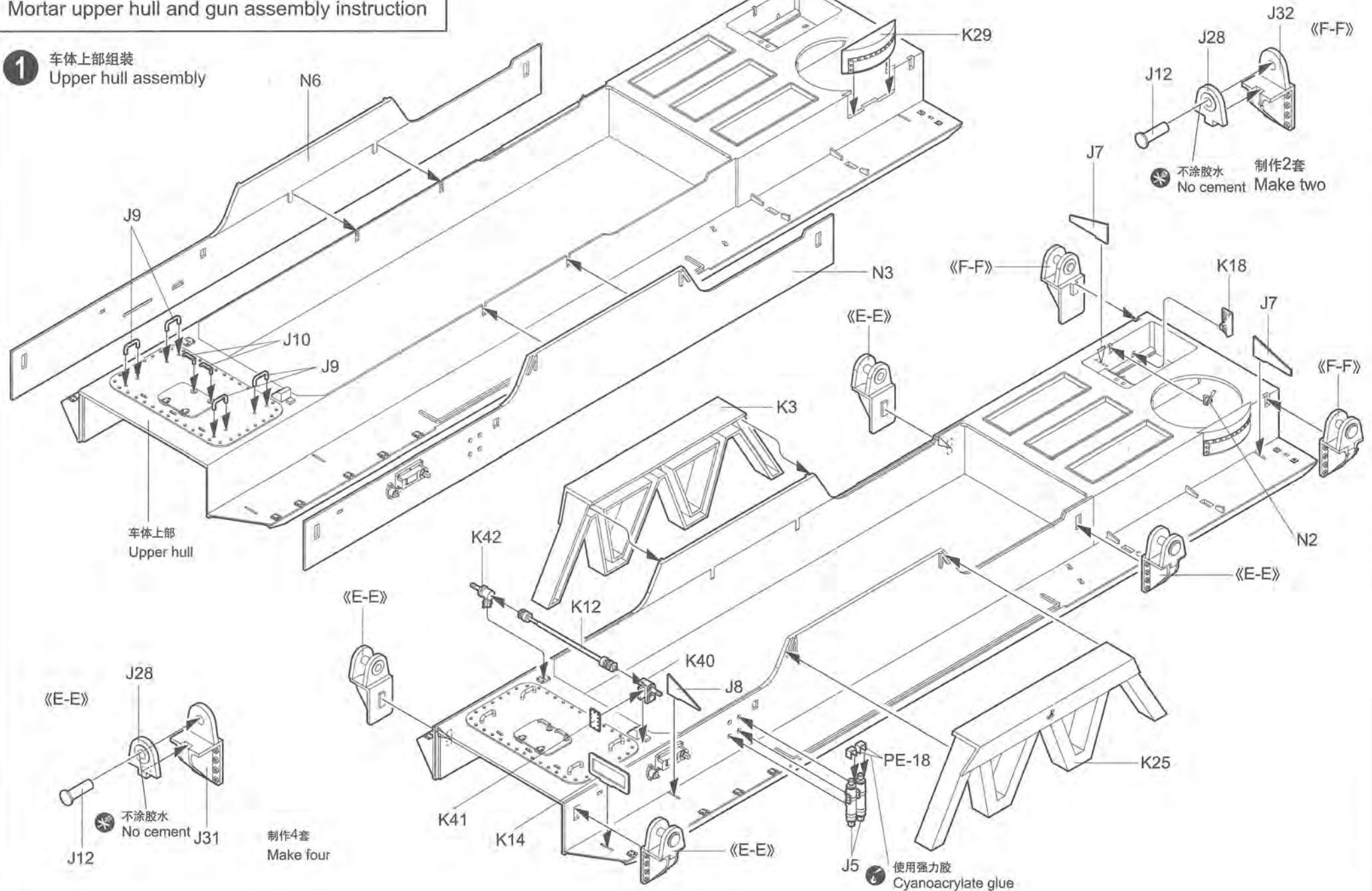
3 履带安装
Attaching track



卡尔车体、火炮组装说明

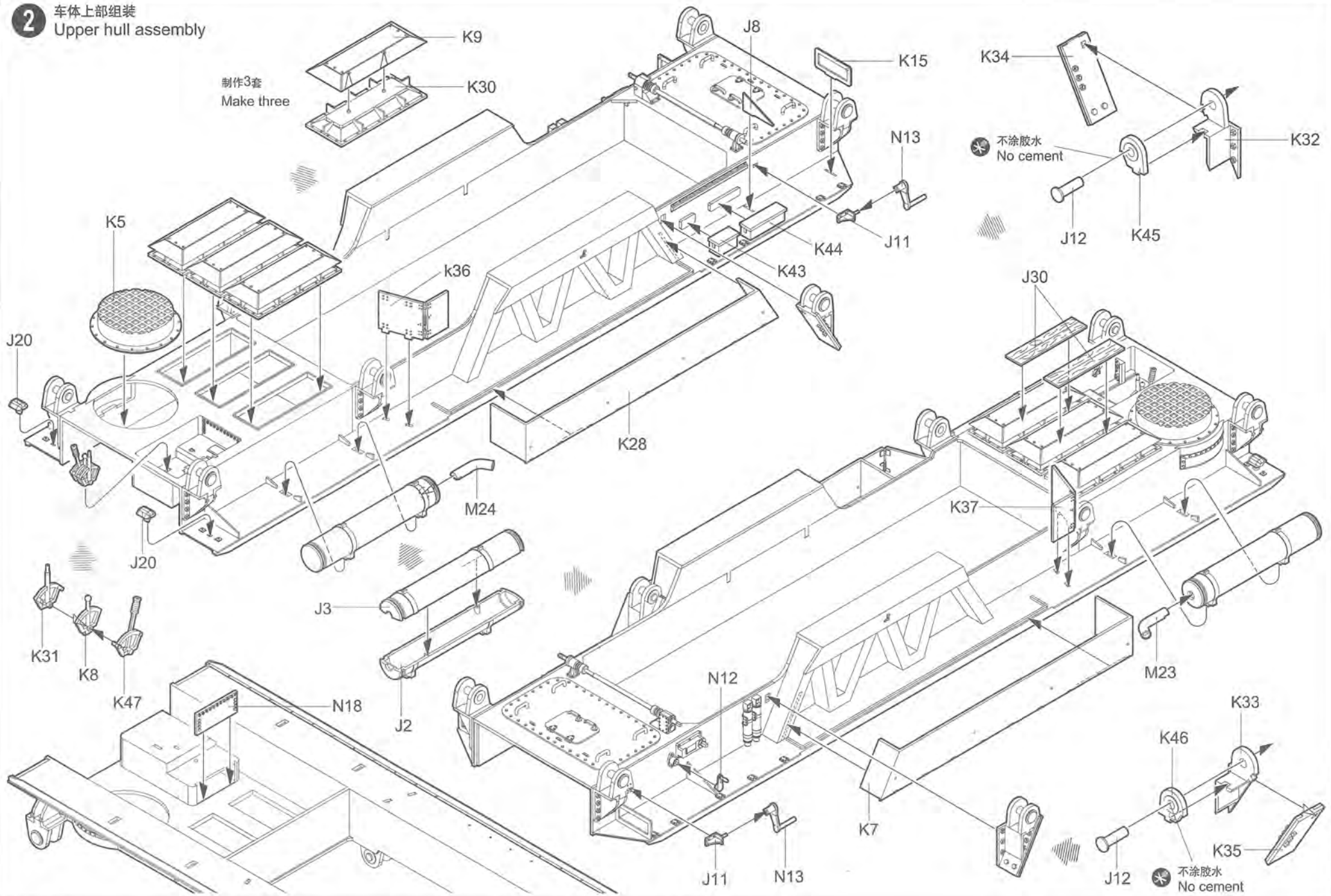
Mortar upper hull and gun assembly instruction

1 车体上部组装 Upper hull assembly

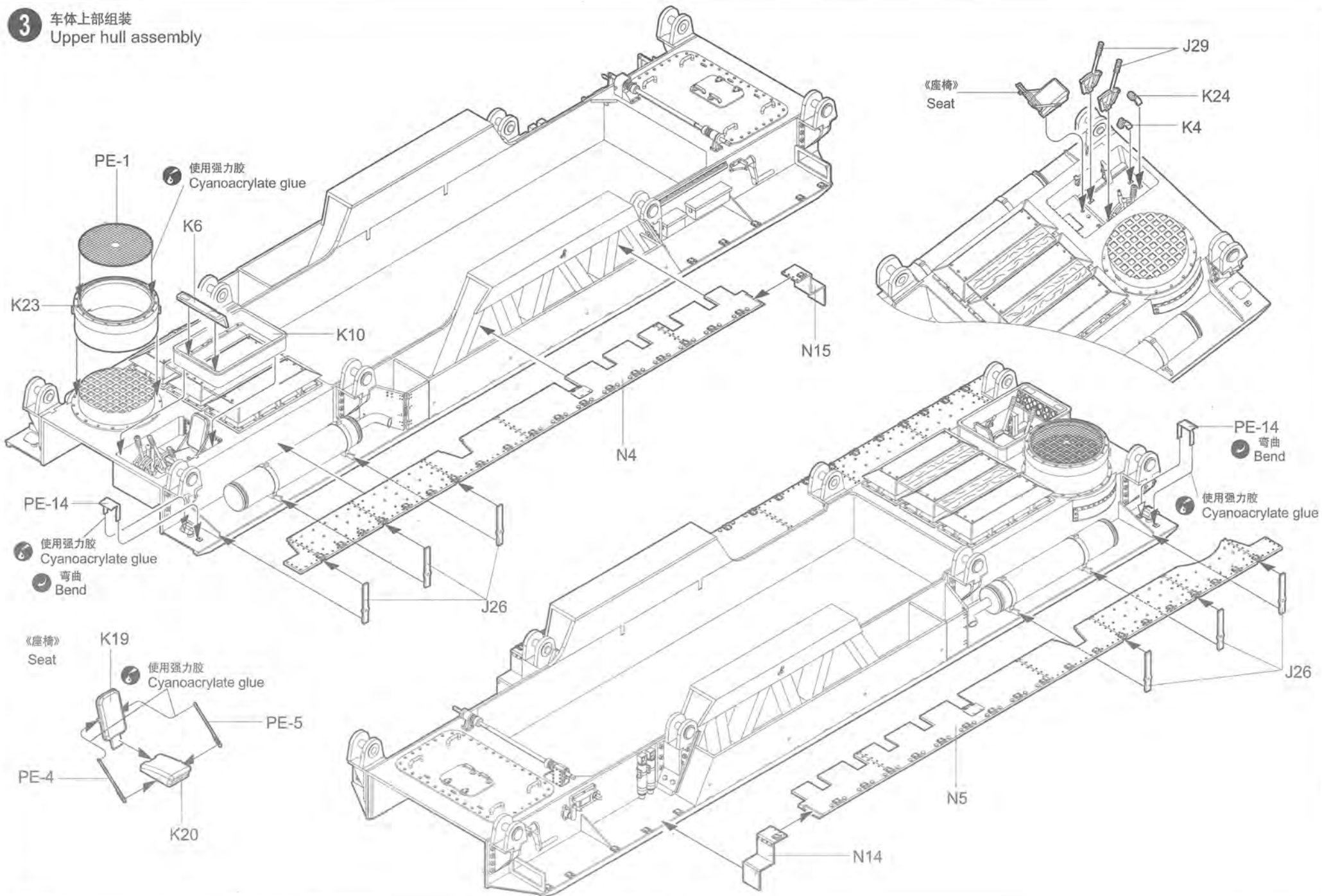


2 车体上部组装
Upper hull assembly

制作3套
Make three

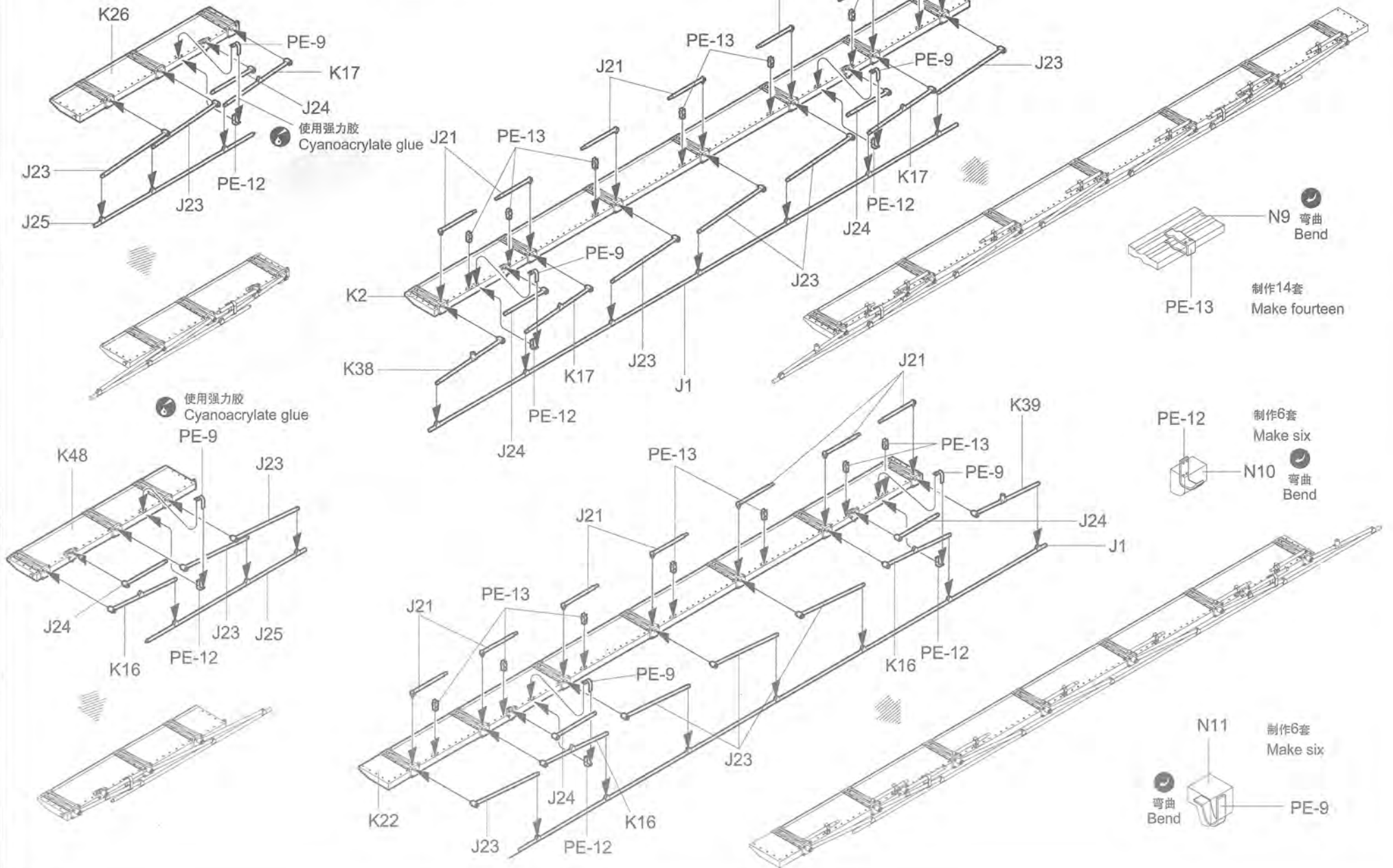


3 车体上部组装
Upper hull assembly



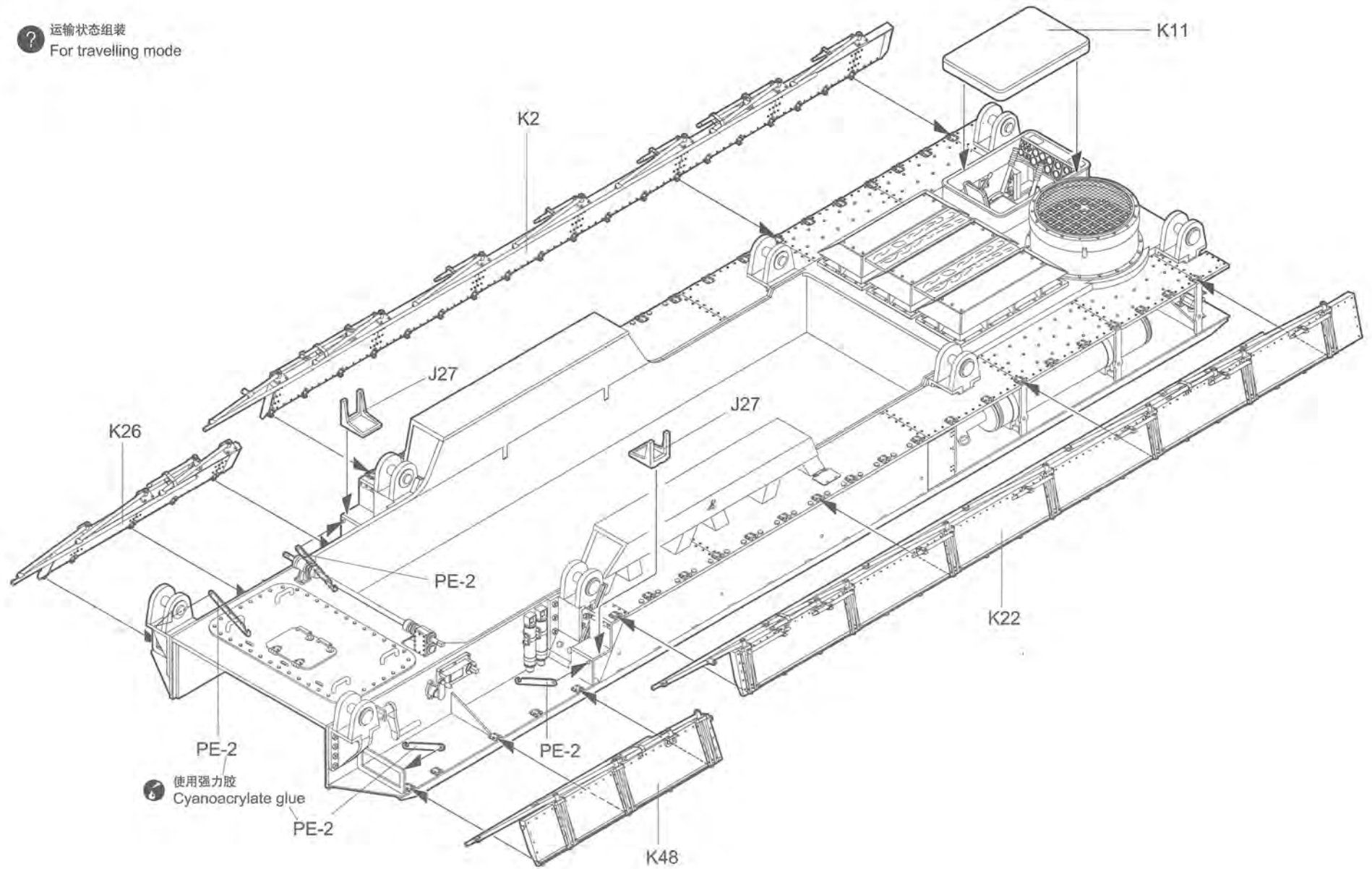
4 扶手组装
Hand rail assembly

? 运输状态组装
For travelling mode



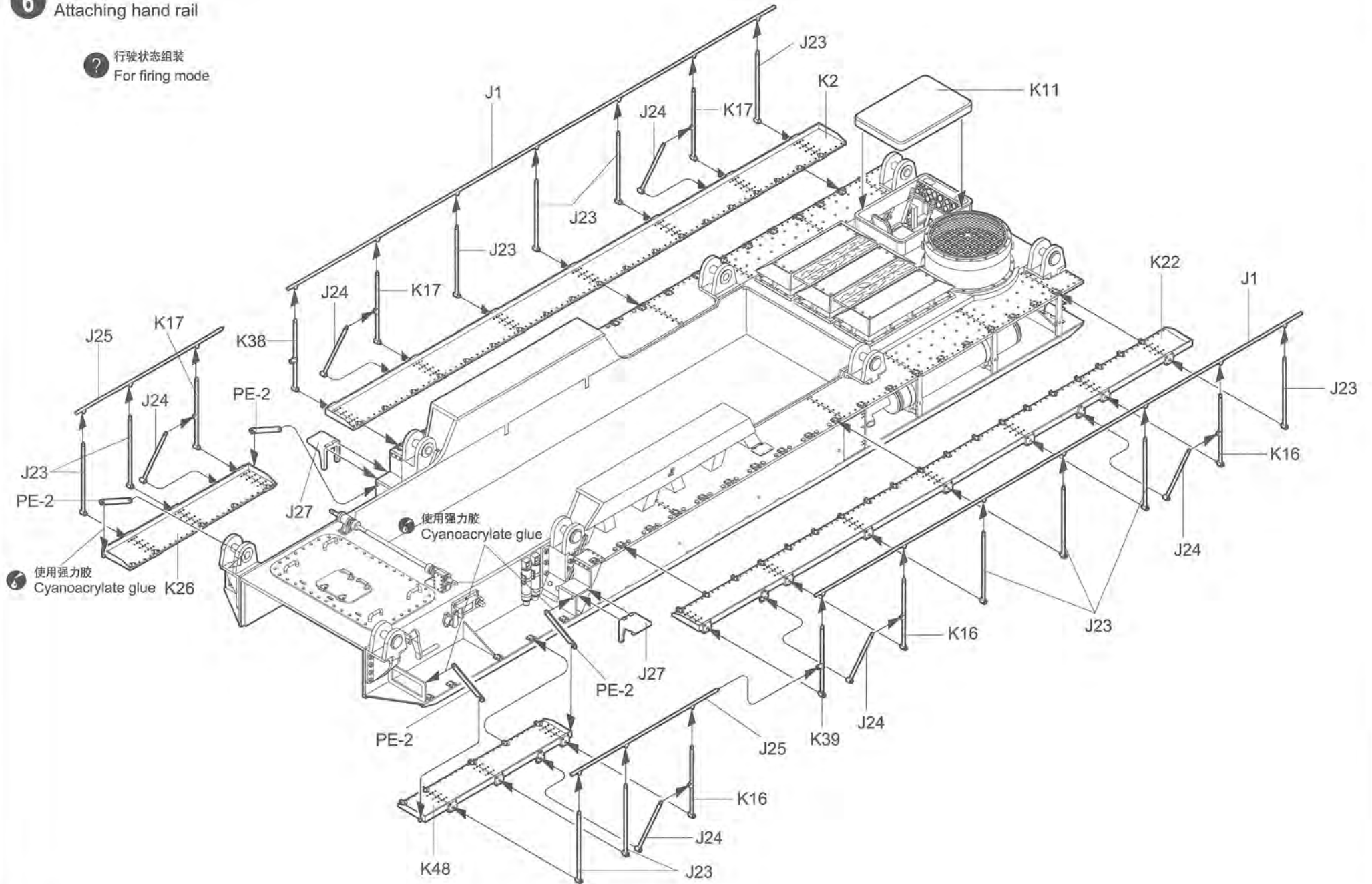
5 扶手安装
Attaching hand rail

? 运输状态组装
For travelling mode



6 扶手安装
Attaching hand rail

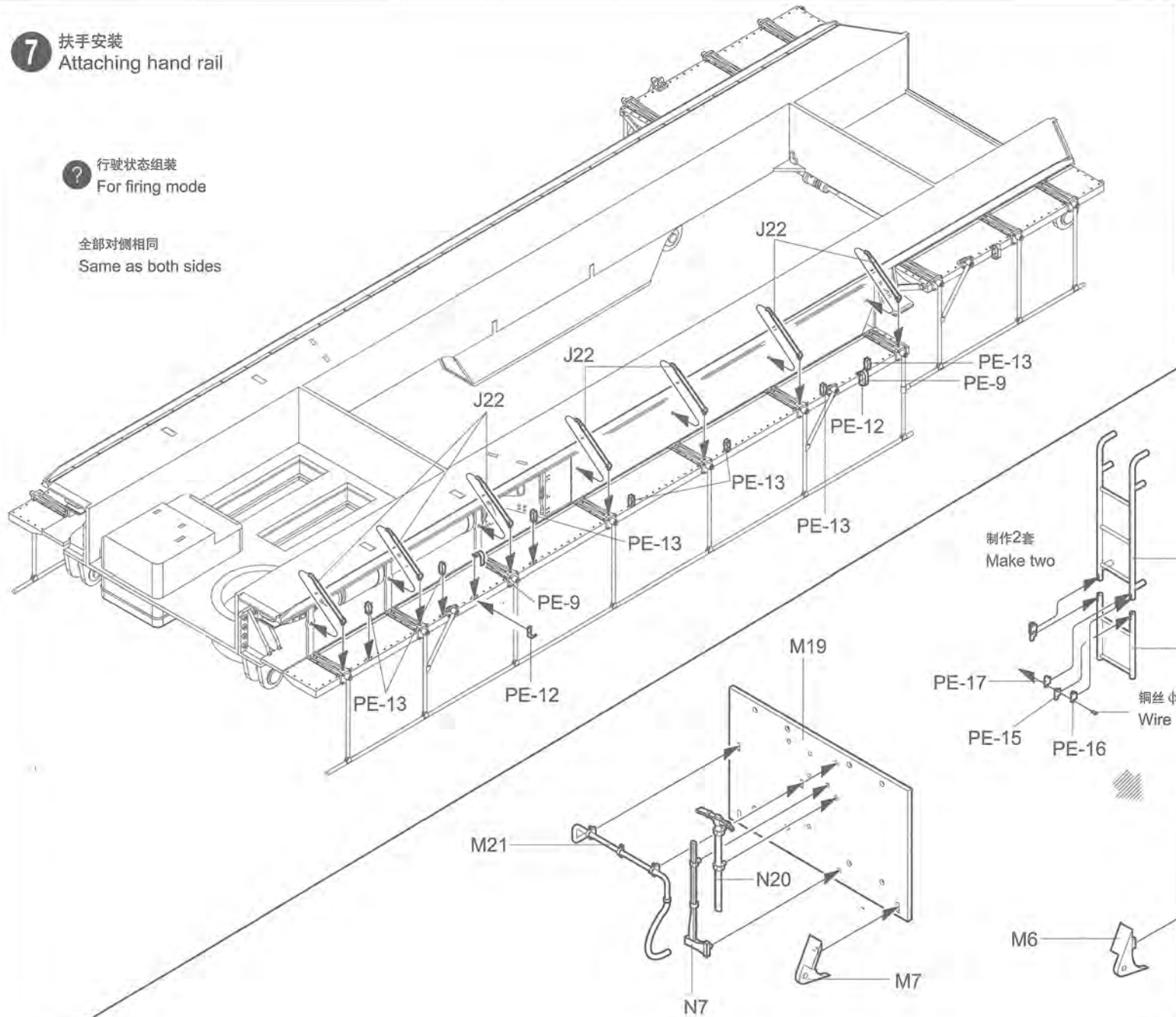
? 行驶状态组装
For firing mode



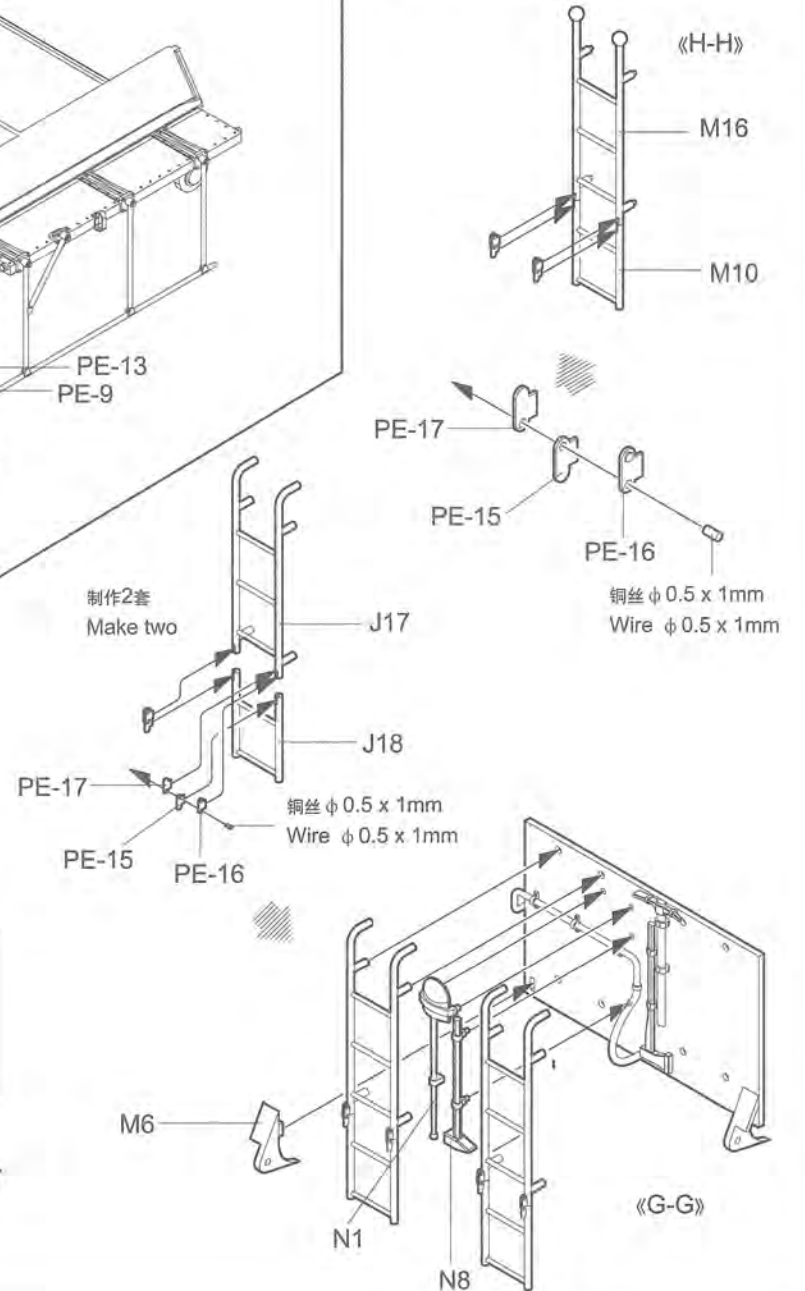
7 扶手安装
Attaching hand rail

? 行驶状态组装
For firing mode

全部对侧相同
Same as both sides

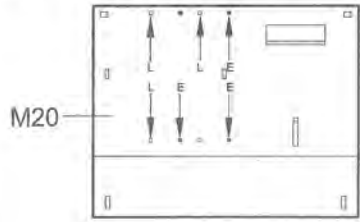


8 前挡板组装
Front panel assembly

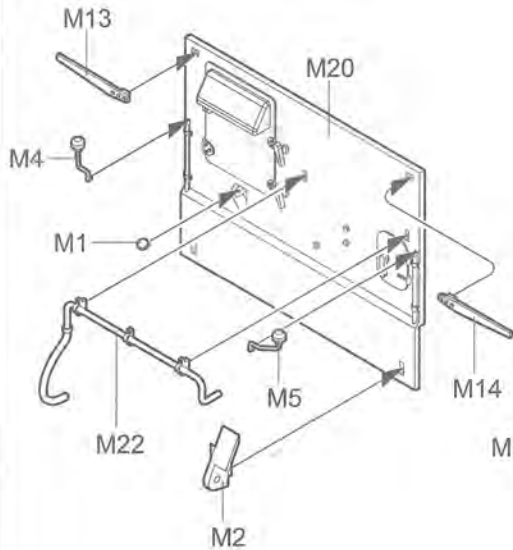
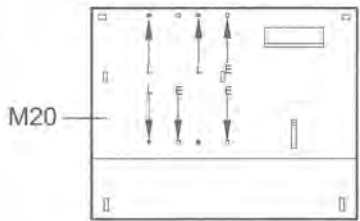


9 车体上部安装
Upper hull installation

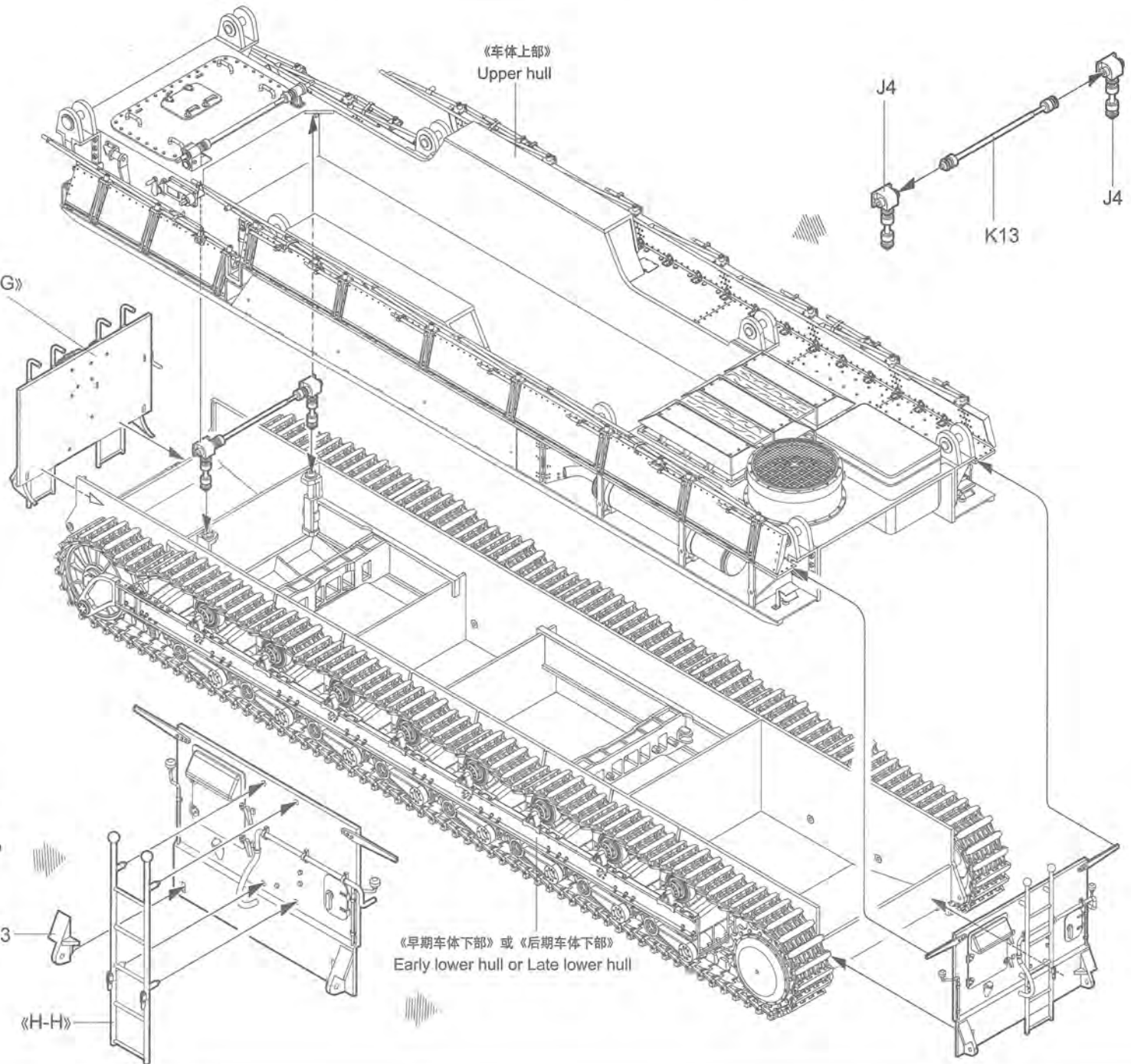
? **T** 钻穿图中涂黑的定位孔"E"(早期卡尔)
Make holes "E" (early karl)



T 钻穿图中涂黑的定位孔"L"(后期卡尔)
Make holes "L" (late karl)

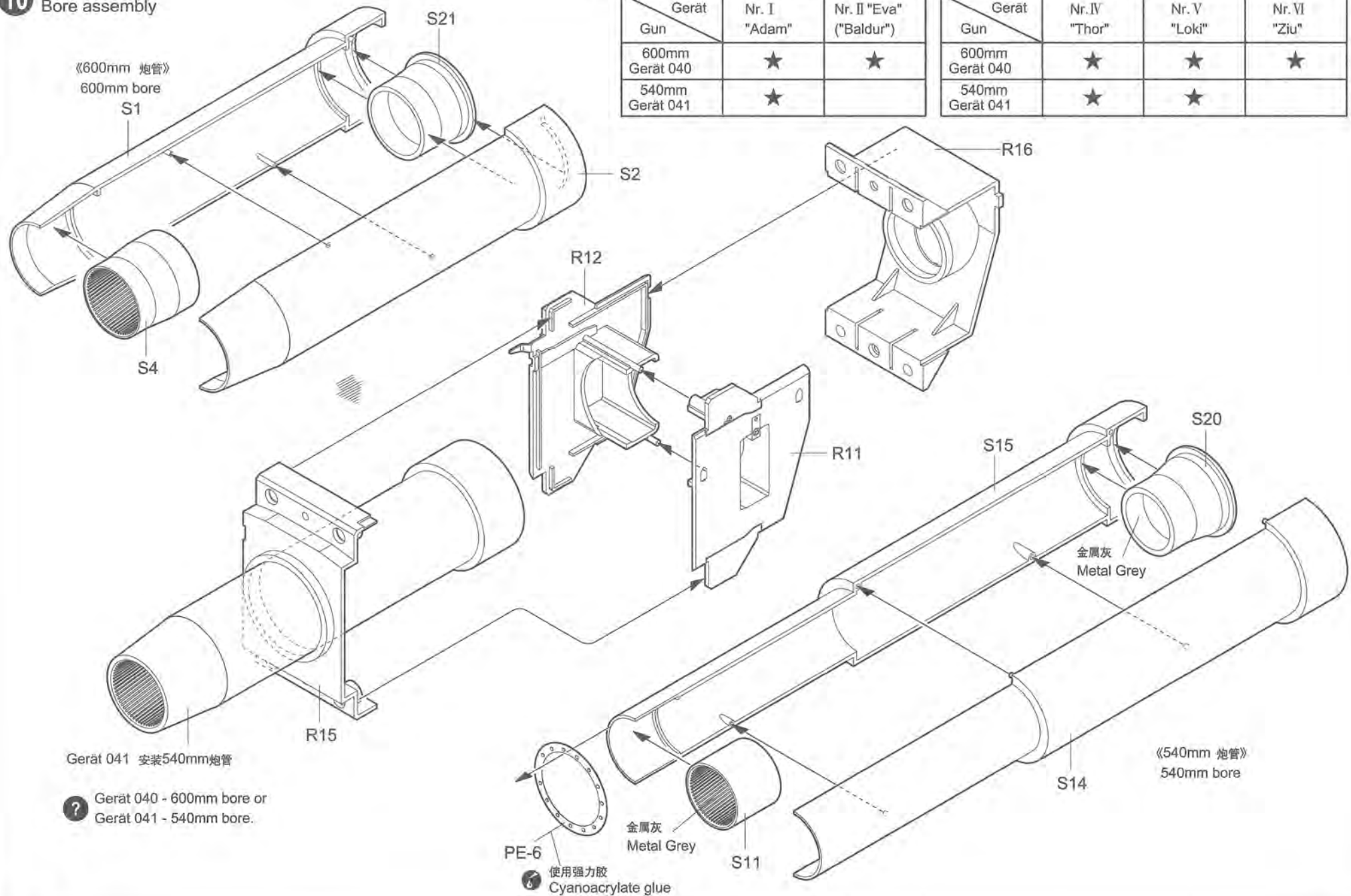


《G-G》

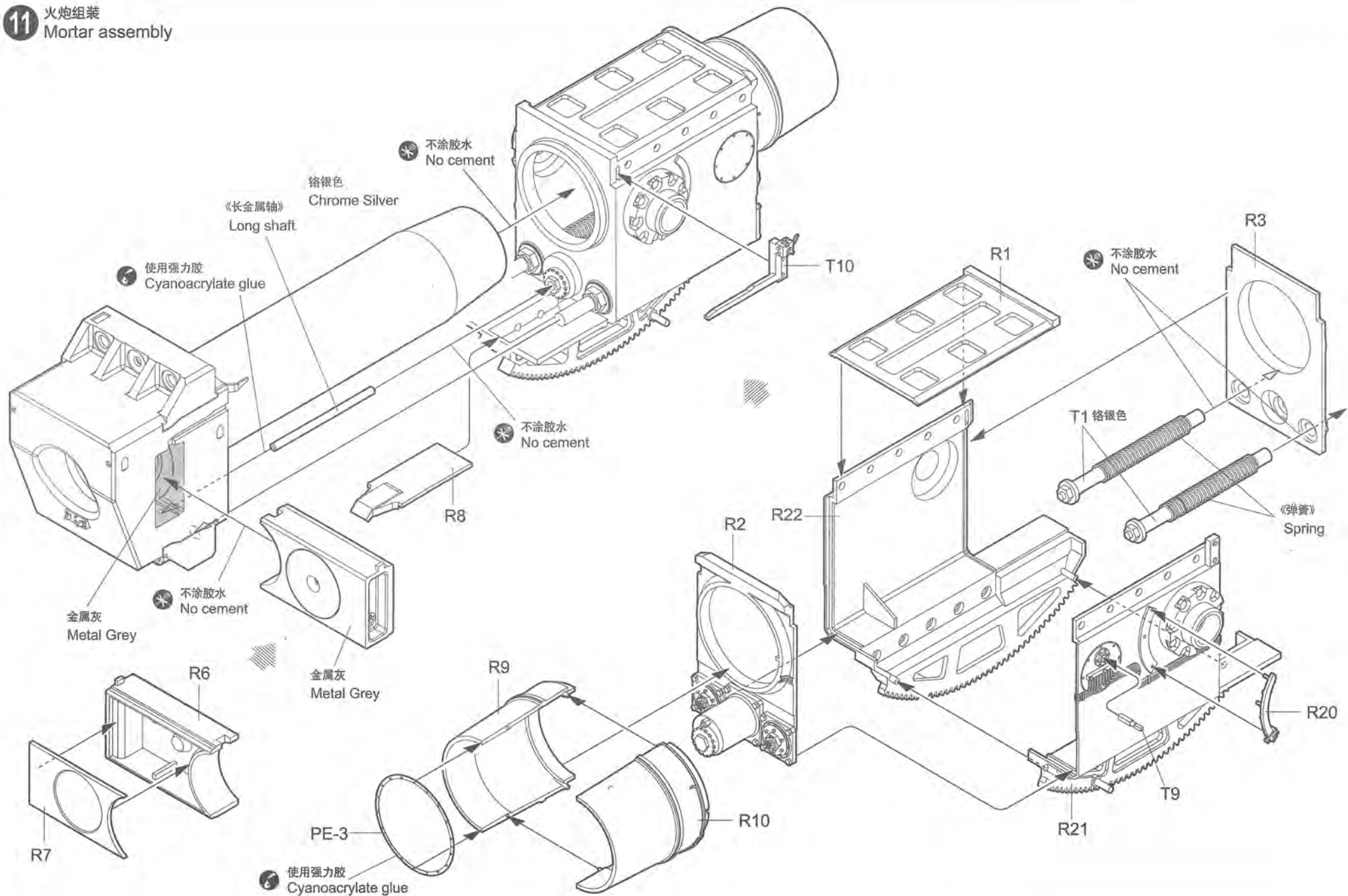


《早期车体下部》或《后期车体下部》
Early lower hull or Late lower hull

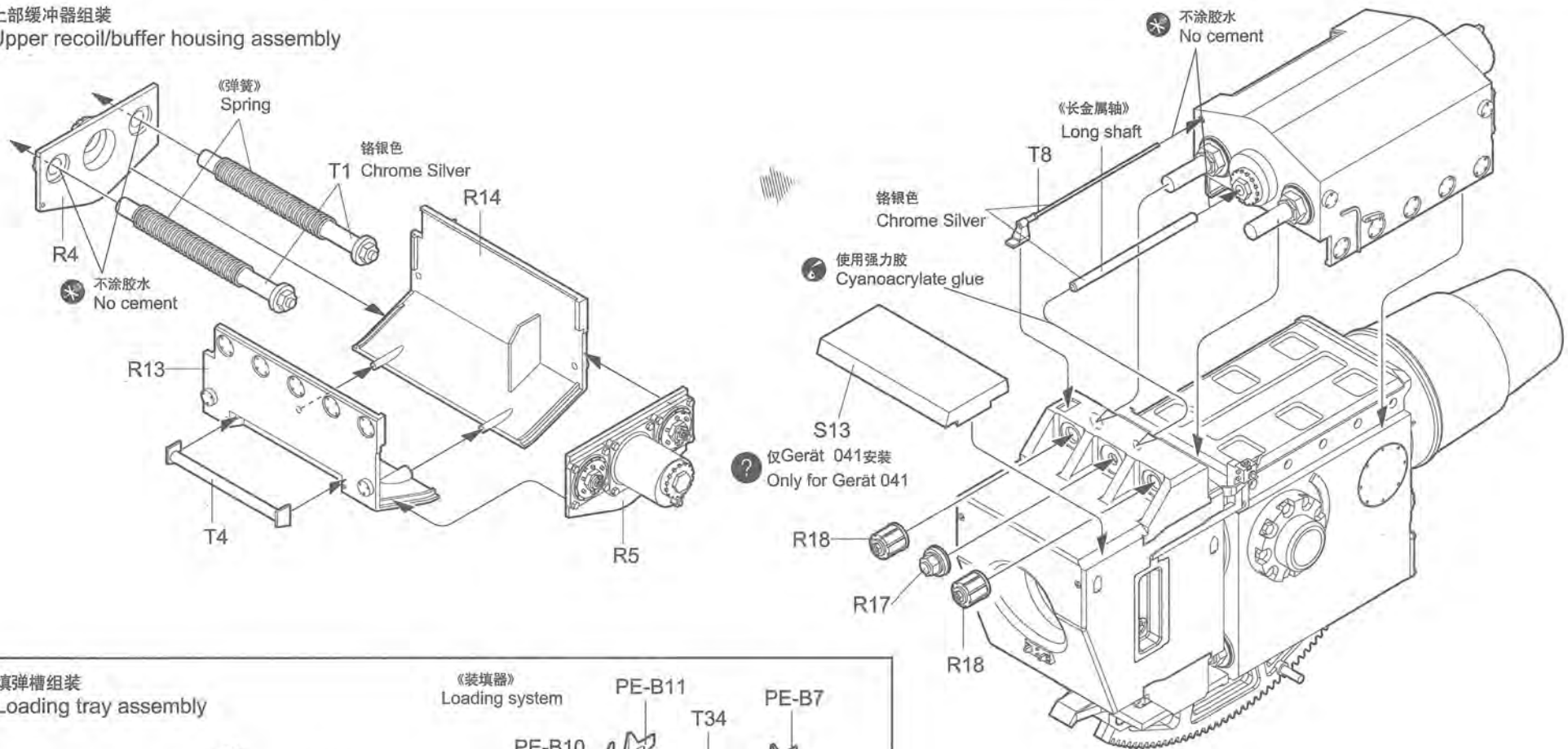
10 炮管组装
Bore assembly



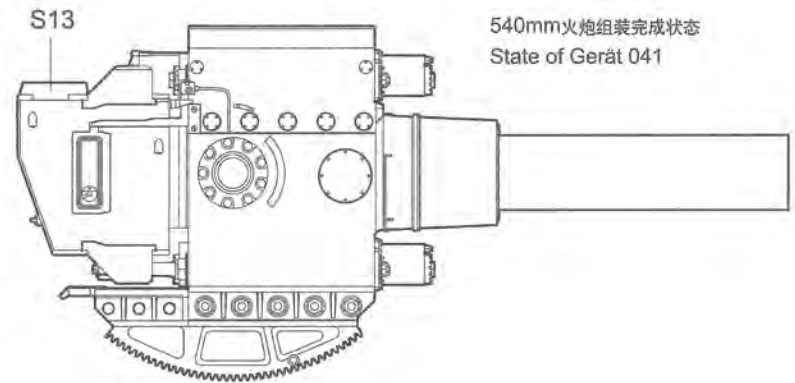
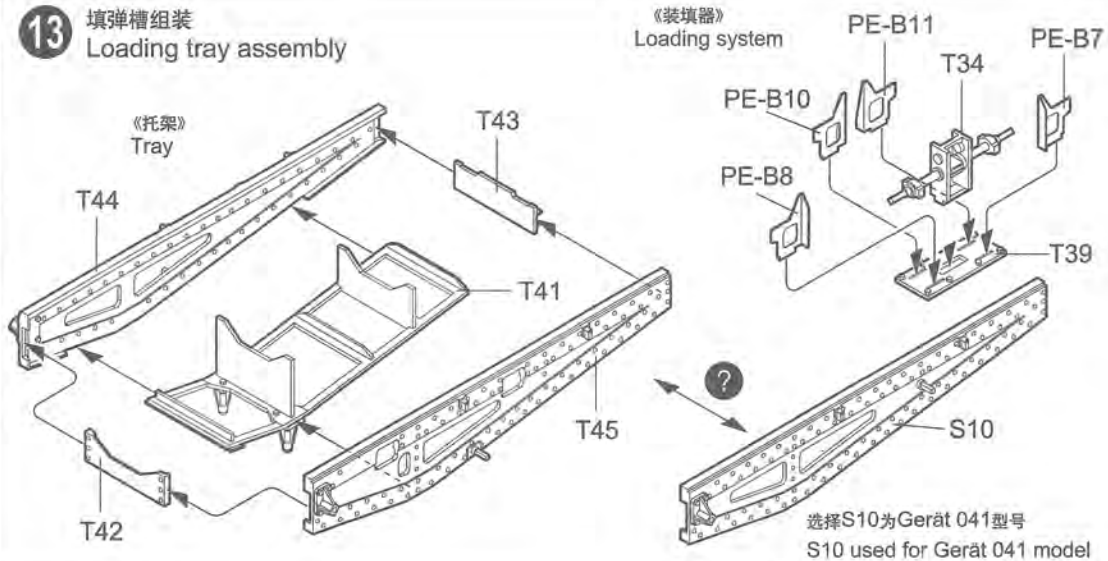
11 火炮组装
Mortar assembly



12 上部缓冲器组装
Upper recoil/buffer housing assembly

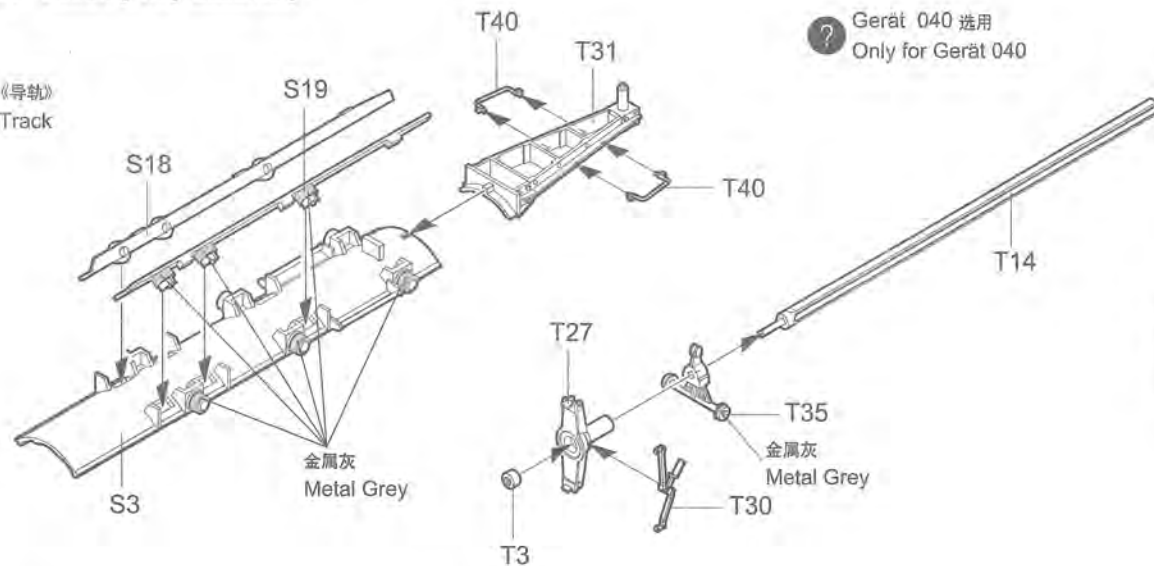


13 填弹槽组装
Loading tray assembly

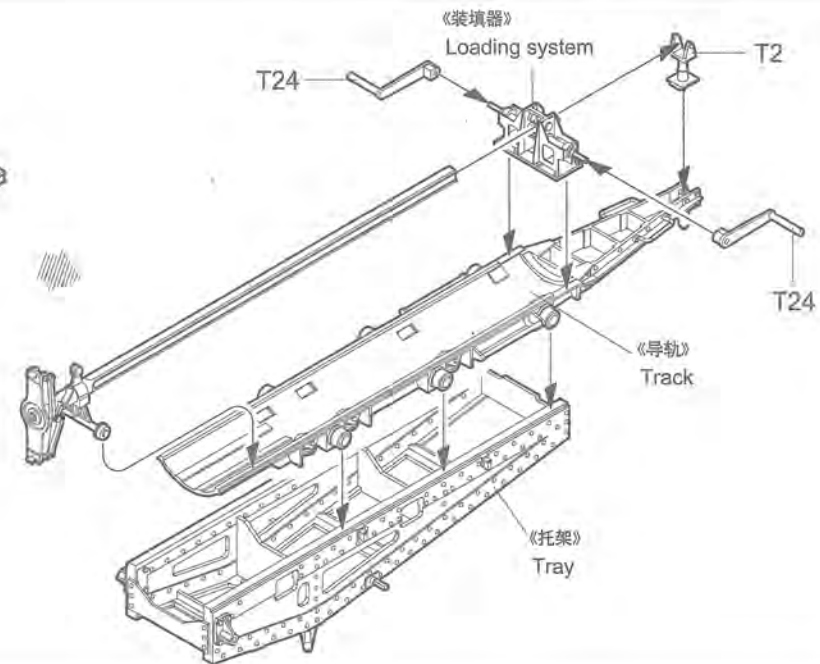


14 填弹槽组装
Loading tray assembly

《导轨》
Track

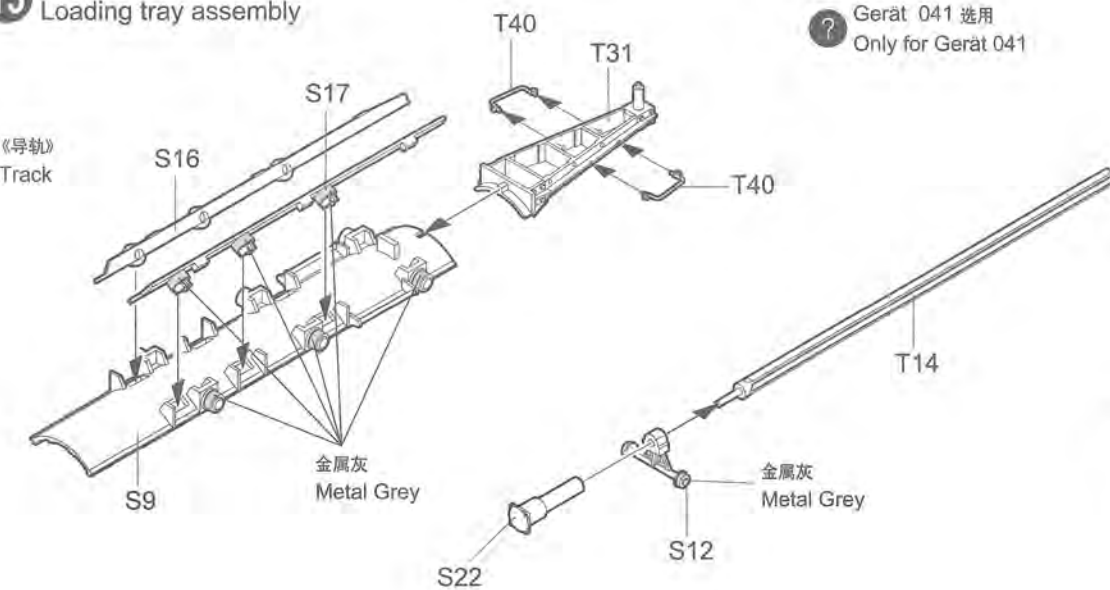


《装填器》
Loading system

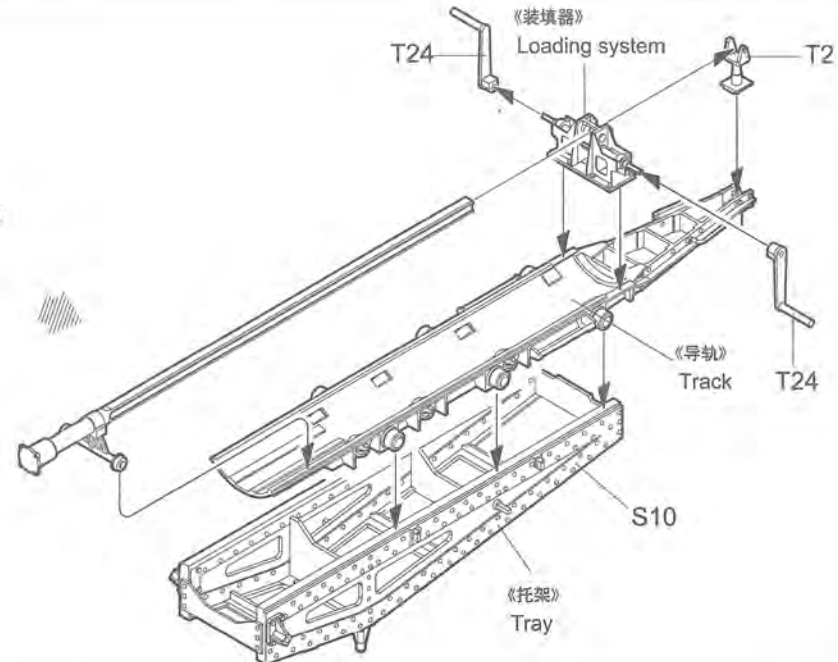


15 填弹槽组装
Loading tray assembly

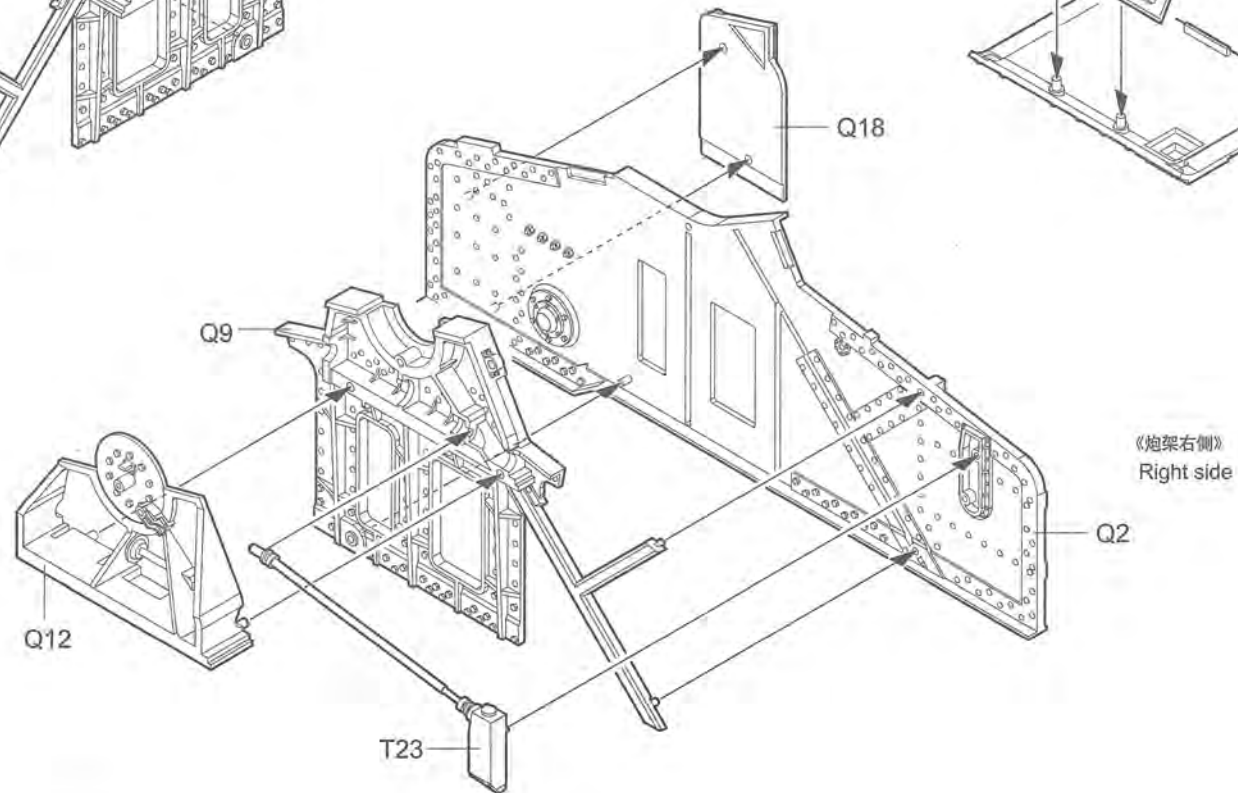
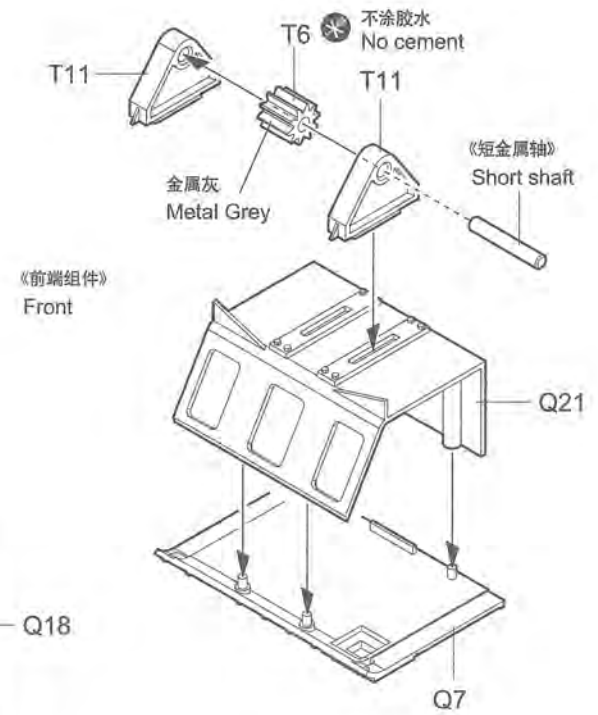
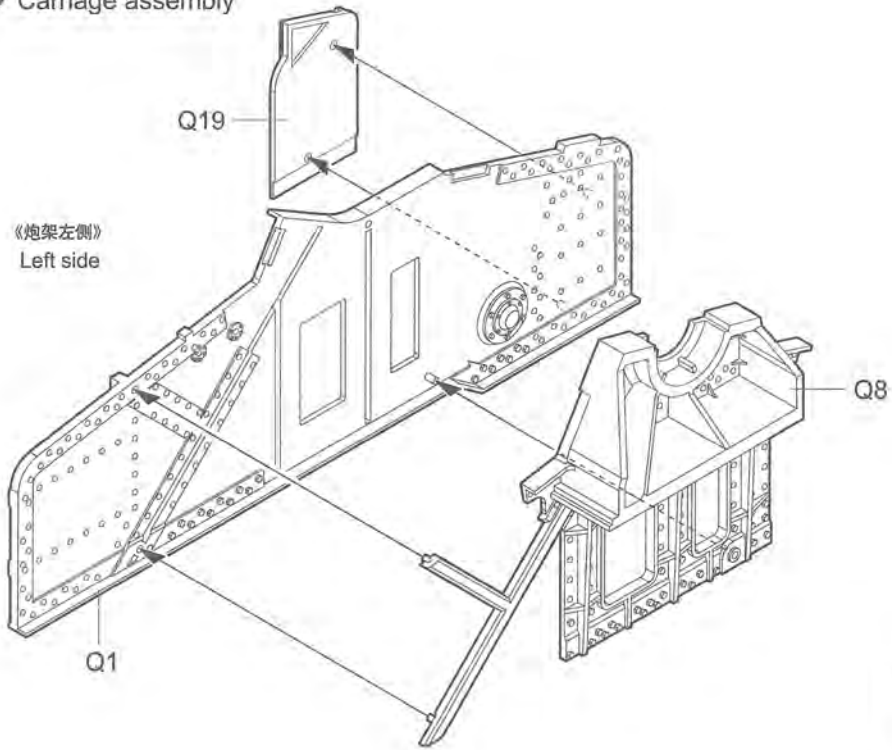
《导轨》
Track



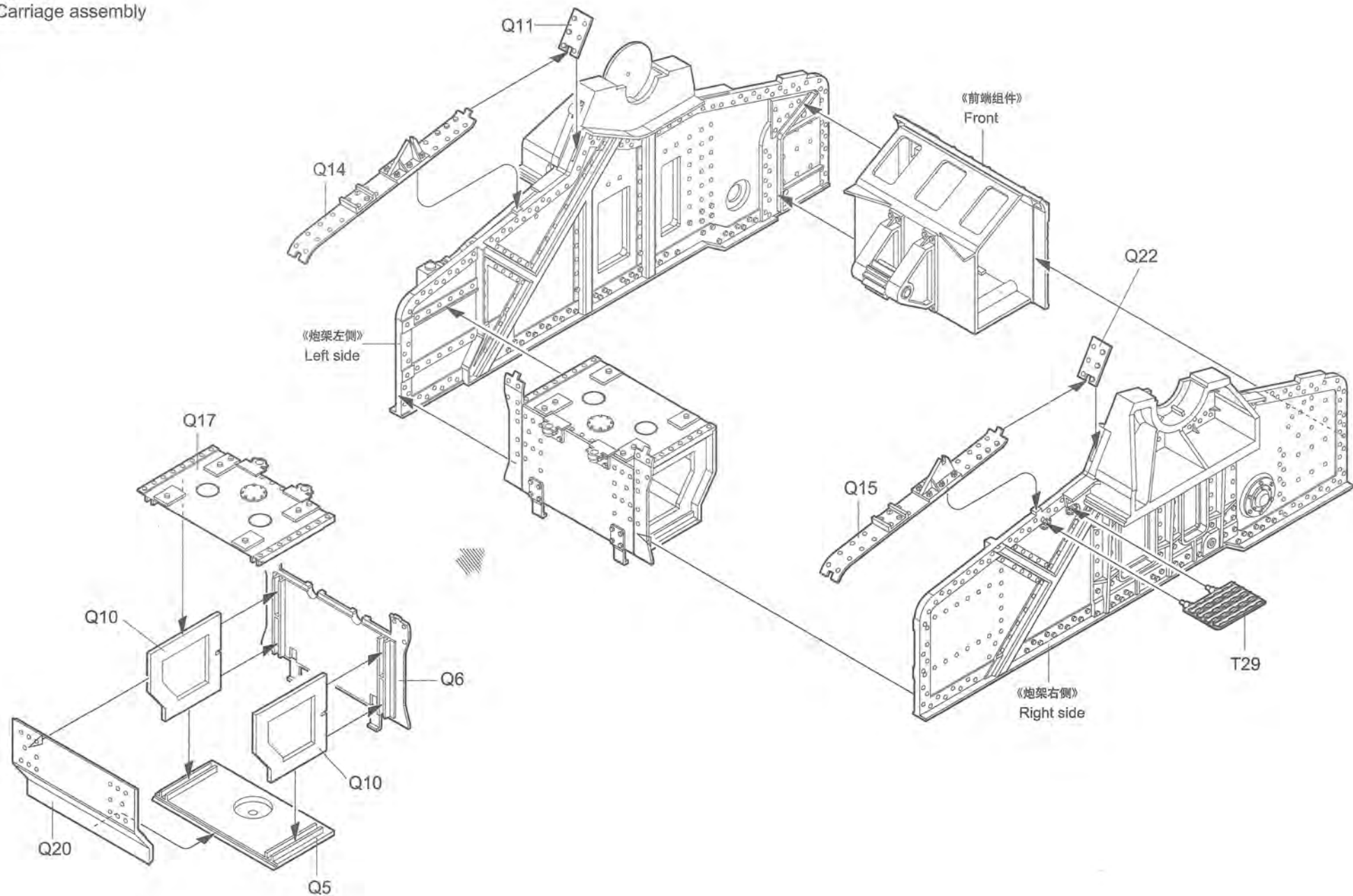
《装填器》
Loading system



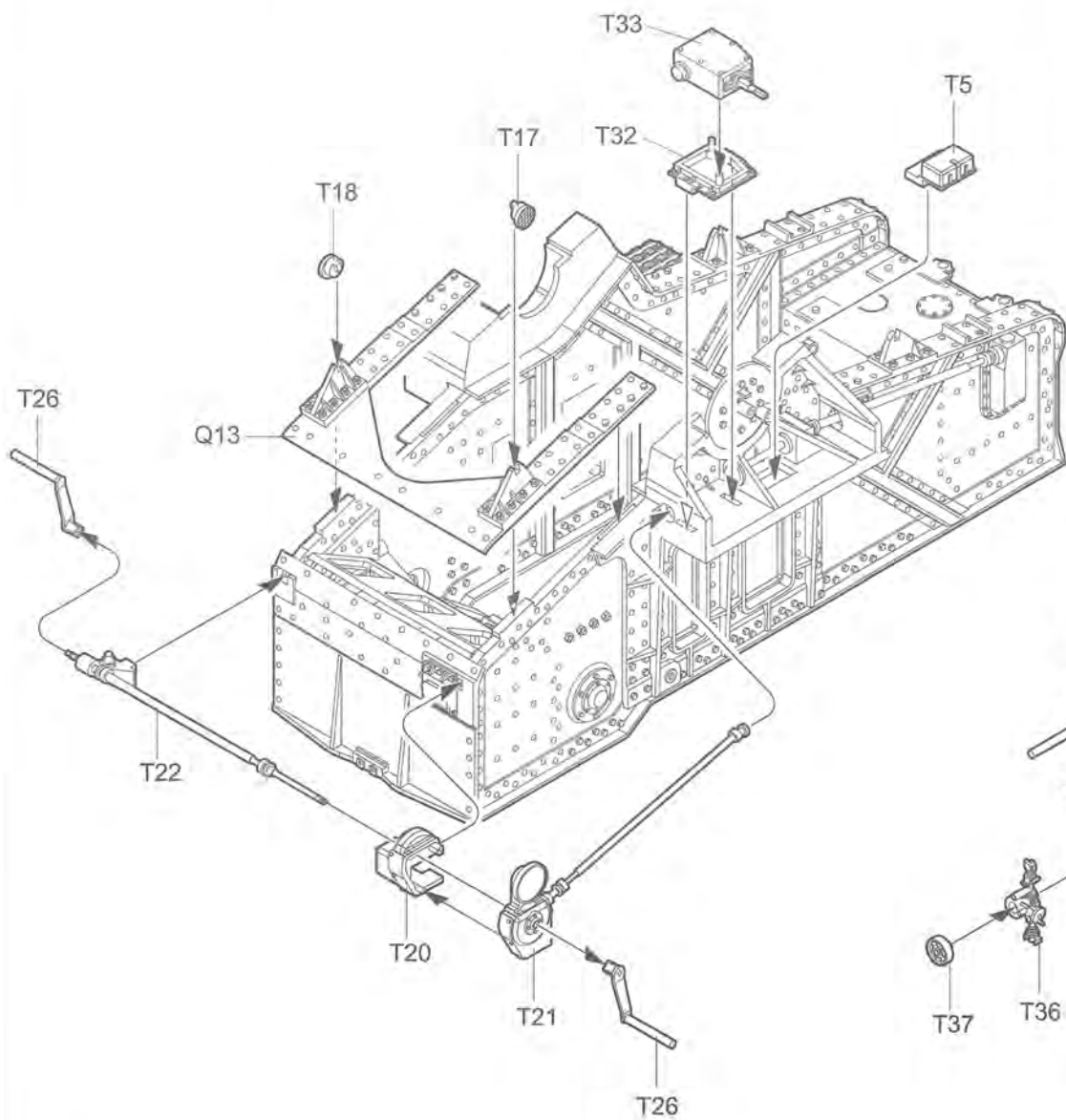
16 炮架组装
Carriage assembly



17 炮架组装
Carriage assembly



18 炮架组装
Carriage assembly

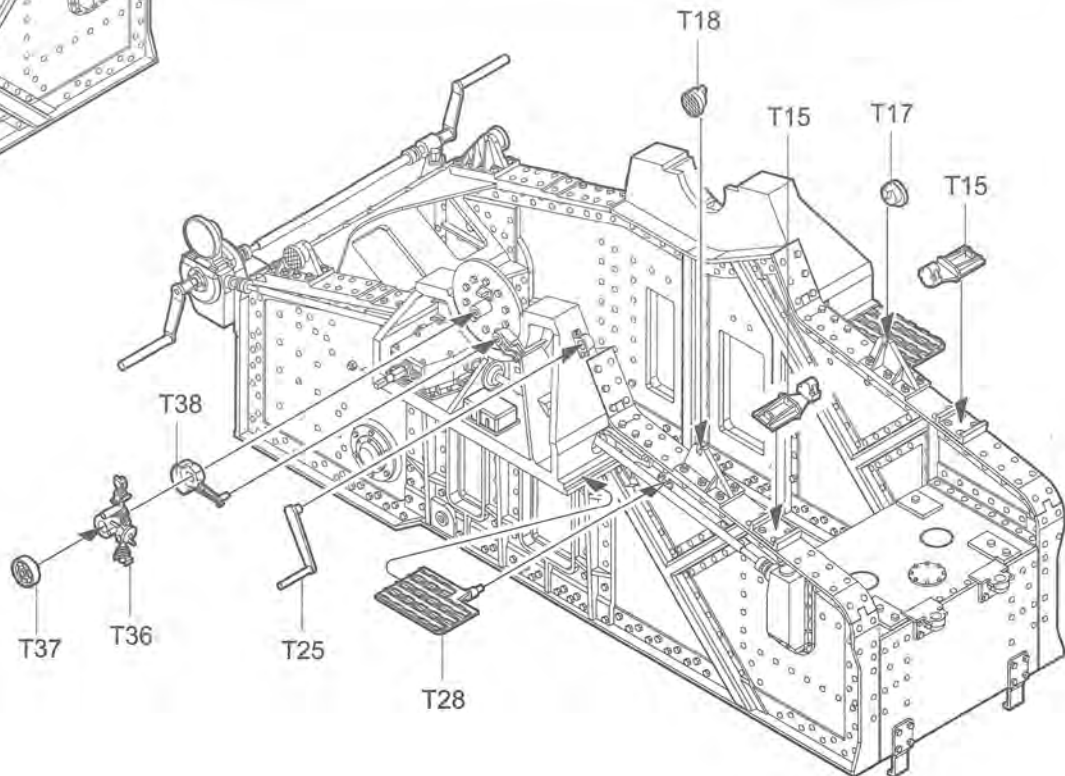
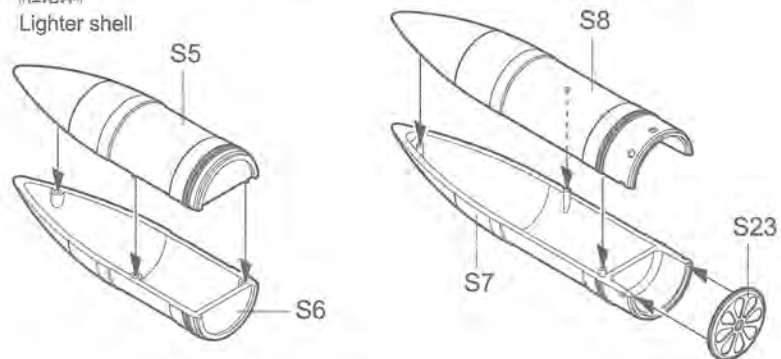


炮弹组装
Shell installation

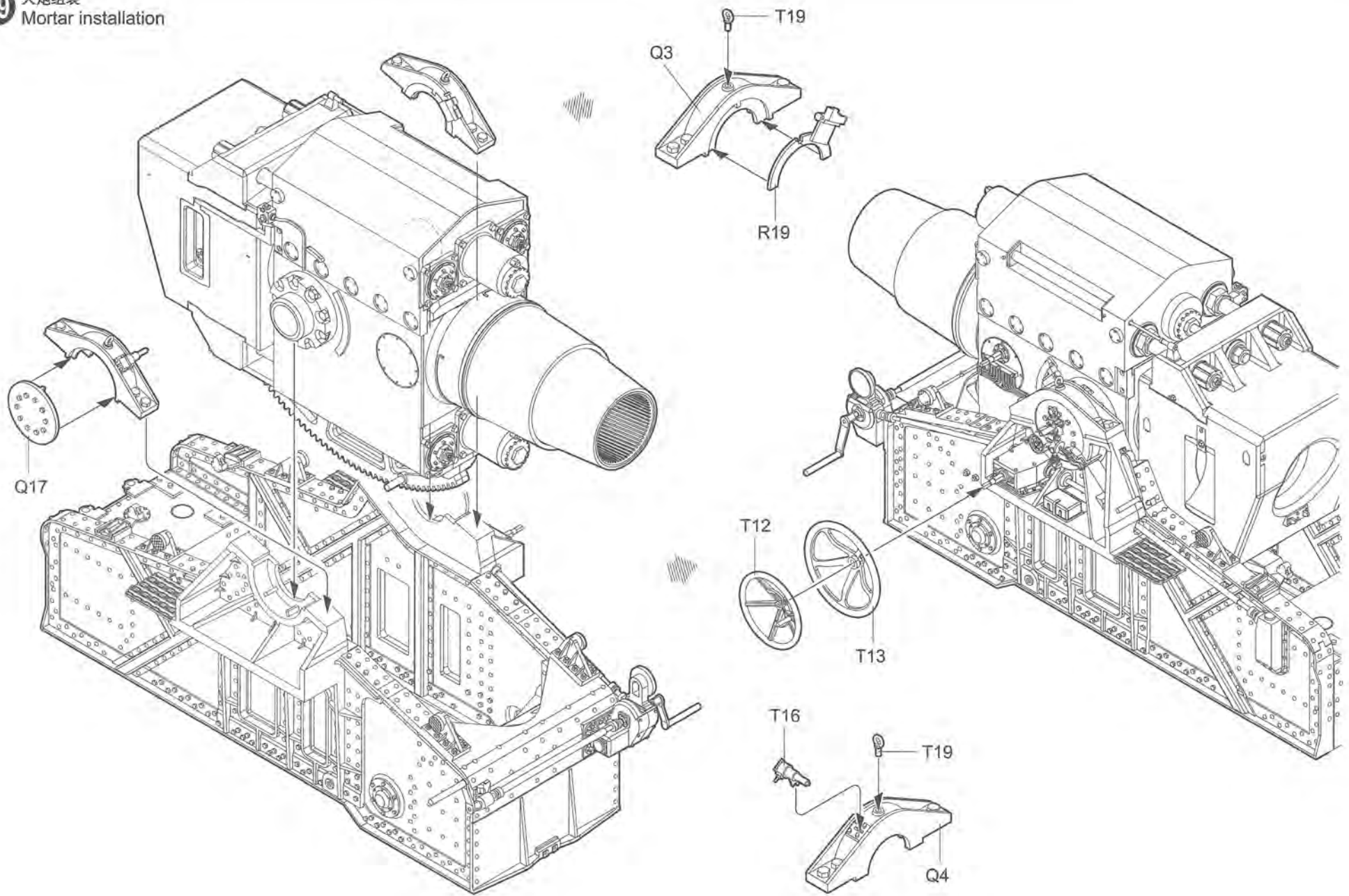
Gerat 040 选用
Only for Gerat 040

《重磅炮弹》
Heavy shell

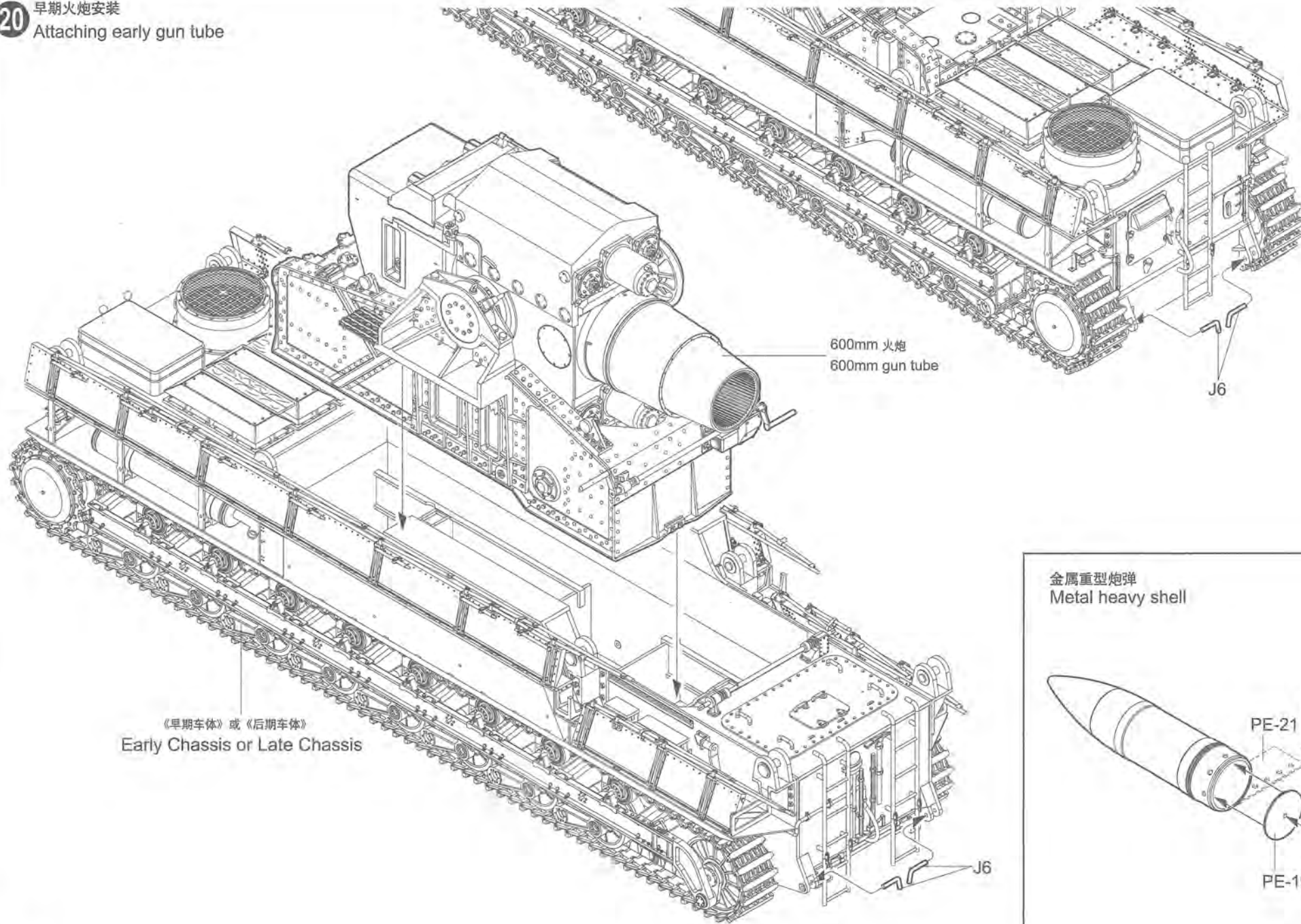
《轻炮弹》
Lighter shell

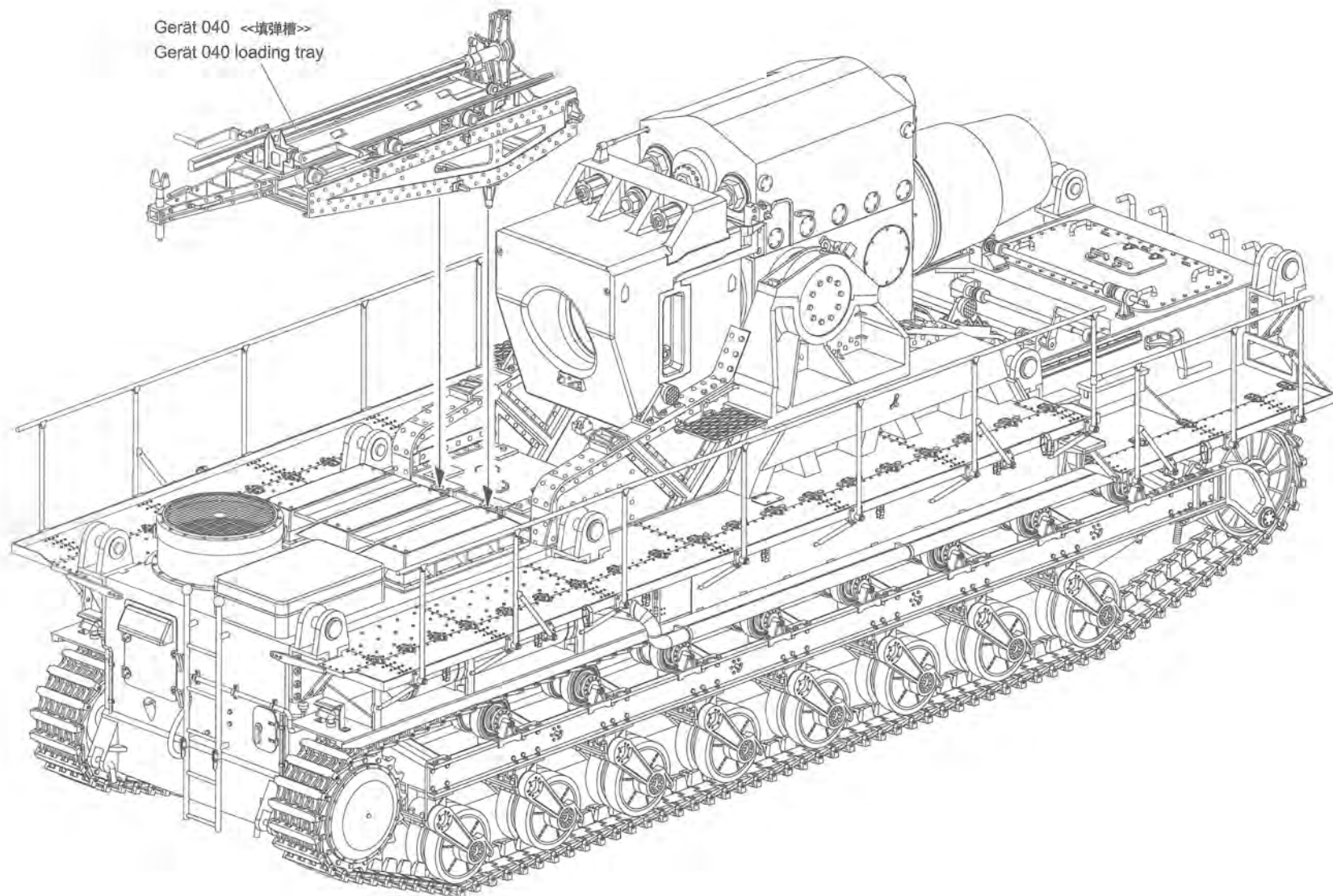


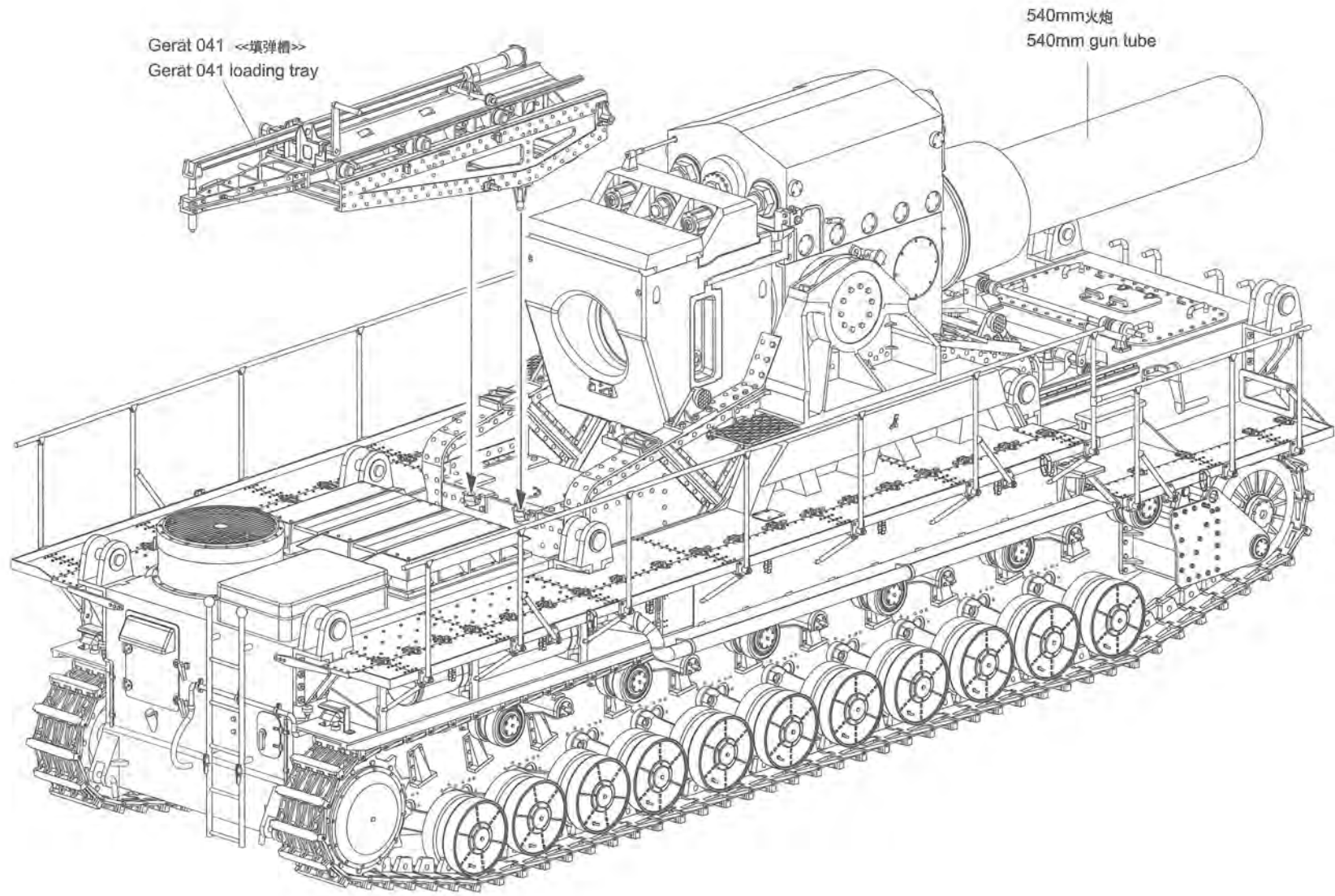
19 火炮组装
Mortar installation



20 早期火炮安装
Attaching early gun tube



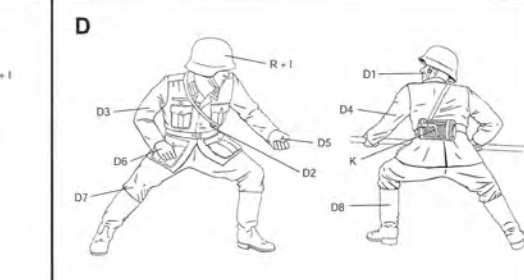
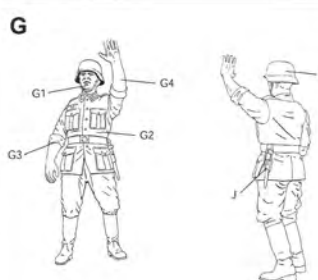
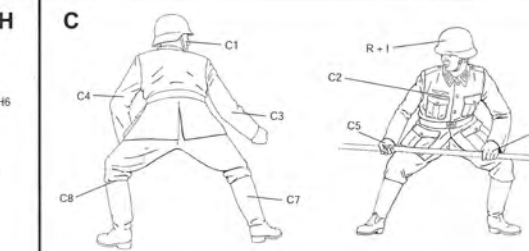
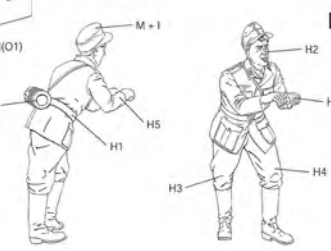
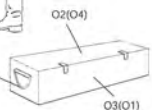
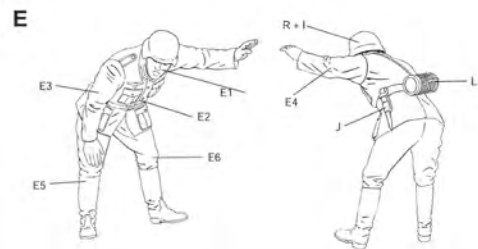




涂装同标贴指示
Painting & Marking guide

使用郡仕公司涂料:
Gunze Sangyo Mr.colors used

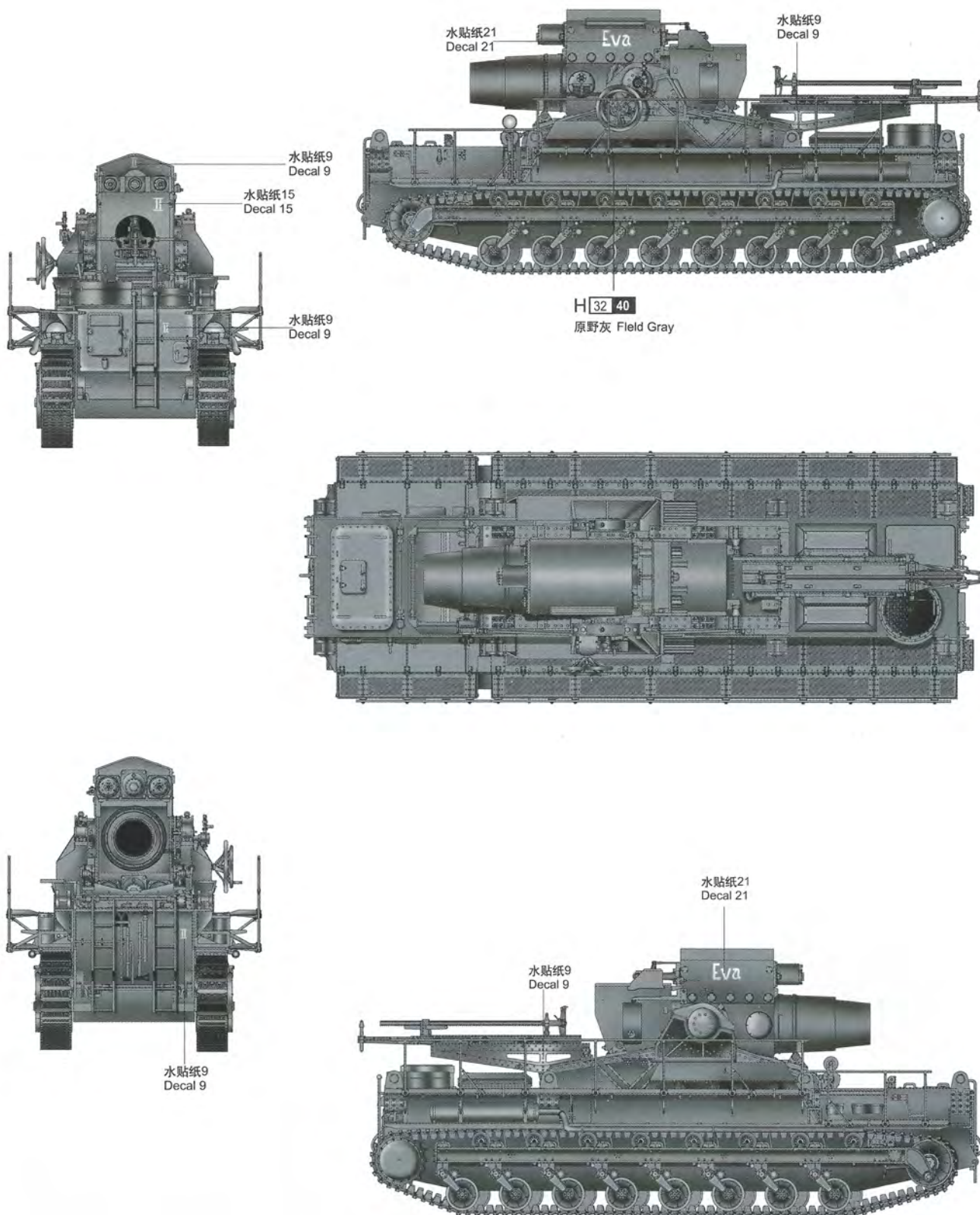
German Artillery Crews



涂装同标贴指示 Painting & Marking guide

Gunze			
H32 40	原野灰 Field Gray		

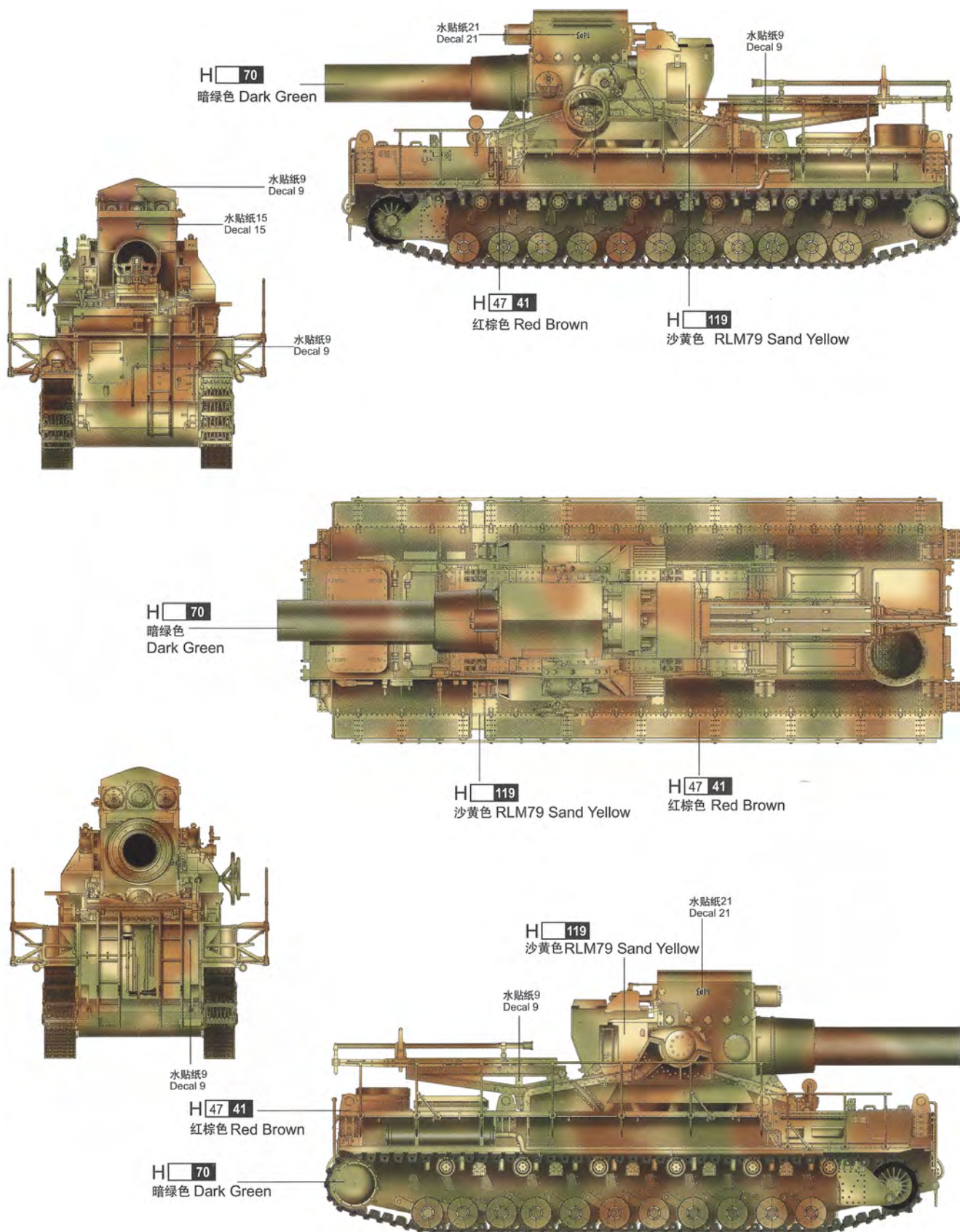
A Mörser Karl-Gerät 040 (Initial Chassis)



涂装同标贴指示 Painting & Marking guide

B Mörser Karl-Gerät 040 (late Chassis)

Gunze					
H	119	沙黄色 RLM79 Sand Yellow	H	70	暗绿色 Dark Green
H	47	41	红棕色 Red Brown		



1	7	III III III III III	11	Thor						
2	8	IV IV IV IV IV	11	Thor						
3	9	V V V V V								
4	10	VI VI VI VI VI	12	Ziu						
5	13	III	14	IV	15	V	16	VI	12	Ziu
6	17	18	19	20	21					
22					25					
23		25								27
24			26							28

00215 1/35 Mörser Karl-Gerät 040/041

