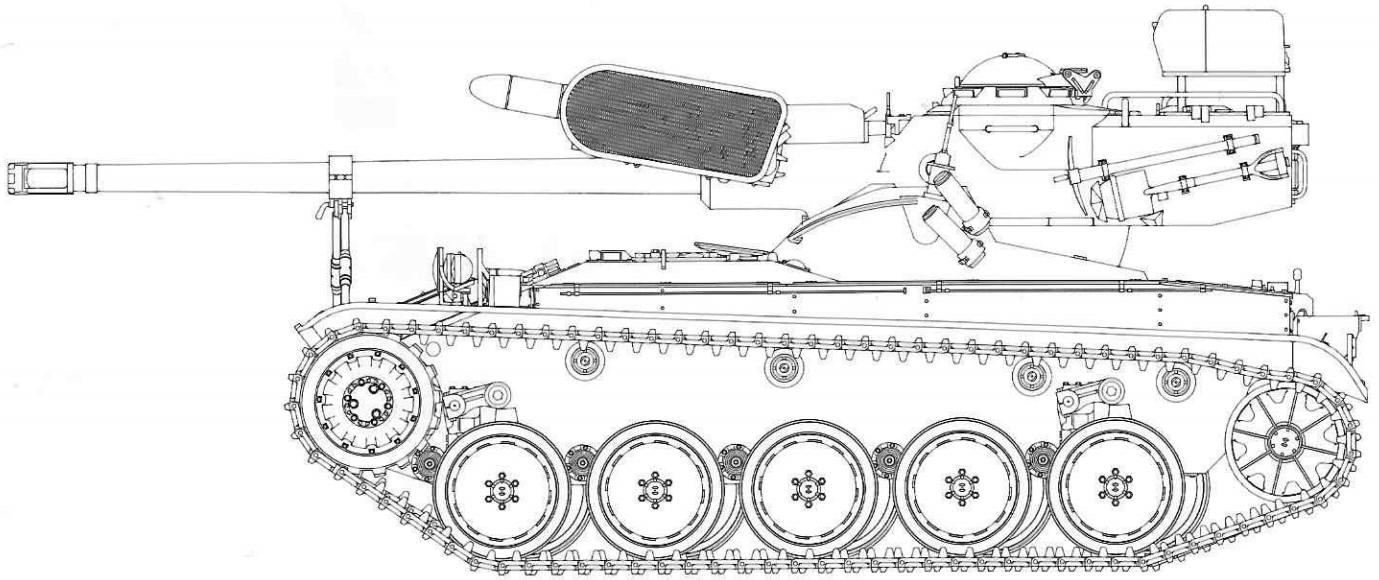


FRENCH LIGHT TANK

# AMX-13/75 w/SS-11 ATGM



Adopted by the French Army to replace their U.S. supplied light tanks, the AMX-13 was designed in 1950 by Atelier de Construction D'Issy-les-Moulineux, and produced by Atelier de Construction Roanne until 1987 with some 7,700 examples having been produced. The most striking feature of the AMX-13 tank is its oscillating GIAT turret. Rather than the gun pivoting on trunnions within the turret, a 'sub-turret' (and the gun) elevates within the rotating turret. This design eliminates the normally bulky mantle/gun shield on conventional designs, and allows a lower overall height. Built into the turret bustle is an automatic loader fed by 2 revolving magazines holding 6 rounds each of ready ammunition, with a rate of fire of 10 rounds per minute. Although this feature reduces the number of crew required to operate the tank, and certainly provides a formidable burst of firepower in an initial engagement, it exposes the crew during the time consuming process of reloading through the roof of the turret. With a combat weight of 14.8 tons and a crew of 3, the AMX-13/90 is powered by 150hp air cooled SOFAM 4G5dE2 4 cylinder, liquid cooled gasoline engine with a synchromesh transmission providing 5 forward and 1 reverse speeds reaching a road speed of 60km/h.

The AMX-13/90 is armed with the D919B 90mm gun with 31 rounds and either a 7.5 or 7.62mm AAT-52 Tak coaxial machine gun with 3,600 rounds (with optional second AAT-52 on roof ring). This particular tank is powered by 150hp air cooled SOFAM 4G5dE2 4 cylinder engine. The tank is constructed of welded steel armor plates ranging from 20mm to 40mm thick, with the engine located in the front.

The AMX-13 T-75 Lance SS-11 is the basic 75mm gun tank equipped with rails for launching SS-11 AT missiles. These wire guided missiles have a range of almost 2 miles and can penetrate most modern tanks. This system was only in use with the French Army.

Of the 7,700 produced, 3,400 AMX-13's were exported broadly, and have seen combat from Africa to Central America to the Middle East to the Indian Subcontinent. Operators include Algeria, Argentina, Austria, Belgium, Cambodia, Chile, Cyprus, Dominican Republic, Djibouti, Ecuador, Egypt, El Salvador, France, Guatemala, India, Indonesia, Israel, Ivory Coast, Kuwait, Lebanon, Morocco, Nepal, Netherlands, Peru, Singapore, Switzerland, Tunisia, and Venezuela. The French Army retired their fleet of AMX-13's in the 1970's, but they remain in service with many nations today.

03.02.2038

# READ BEFORE ASSEMBLY

## CAUTION

- Read carefully and fully understand the instructions before commencing assembly. A supervising adult should also read the instructions if a child assembles the model.
- When assembling this kit, tools including knives used. Extra care should be taken to avoid personal injury.
- Keep out of reach of small children. Children must not be allowed to suck any part, or pull vinyl bag over their heads.



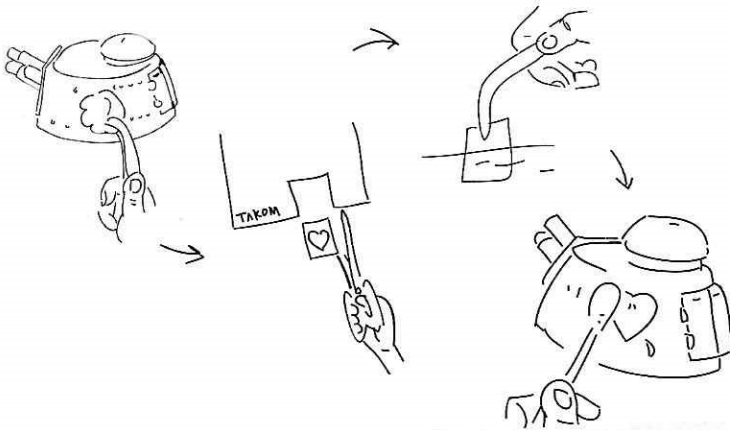
## PAINTS REQUIRED

Color info and profiles by Mig Jimenez

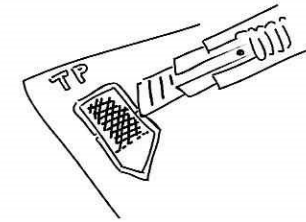
A.MIG 033	Rubber & Tires	A.MIG 035	Dark Tracks	A.MIG 038	Old Wood	A.MIG 084	NATO Green
A.MIG 045	Gun Metal	A.MIG 093	Crystal Red	A.MIG 081	US Olive Drab	A.MIG 007	Dunkelbraun
A.MIG 067 70% A.MIG 055 30%	Warm TAN	A.MIG 086 70% A.MIG 206 30%	Missile Blue	A.MIG 087	Yellow Grey		
A.MIG 048	Matt Black	A.MIG 073	Earth	A.MIG 042	Old Rust		

## APPLYING DECALS

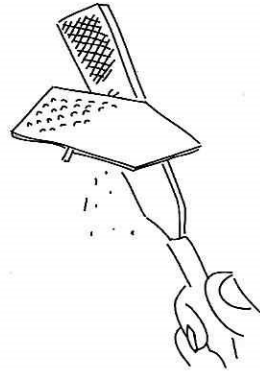
1. Clean the model surface with a wet cloth.
2. Cut out each decal design from sheet, and dip it in tepid water for 15~20 sec.
3. Hold the backing sheet edge and slide decal onto the model.
4. Move decal into position by wetting decal with finger.
5. Press decal gently down with a soft cloth until excess water and air bubbles are gone.



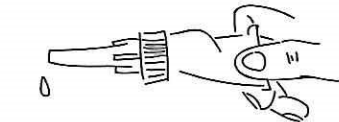
## REMOVING PE



Be careful not to hurt when removing PE parts.

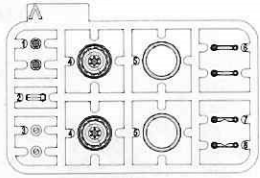


Finish using file.

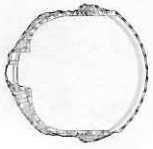
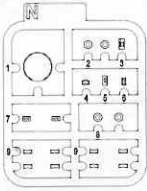


Secure using instant glue (not included).

# PARTS



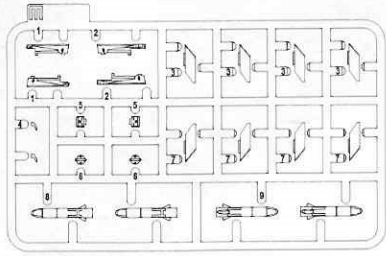
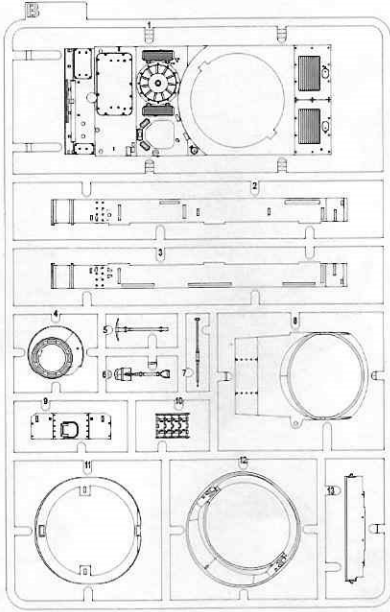
X5



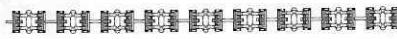
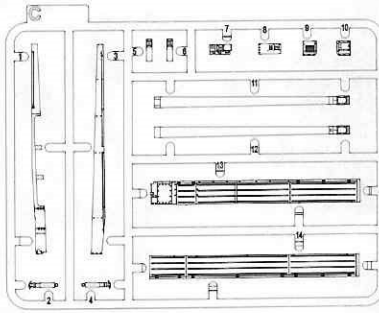
Dust Cover



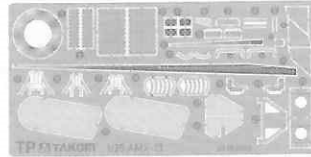
Turret



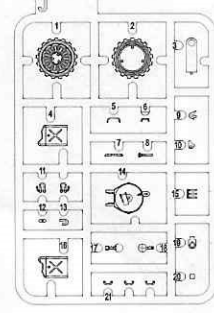
X2



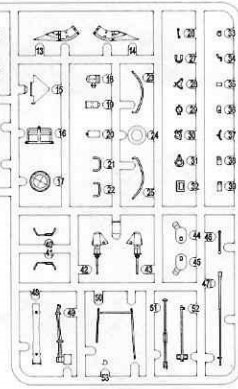
X10



TP



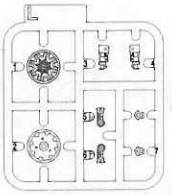
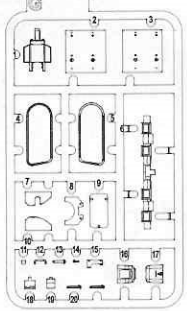
X2



Decal

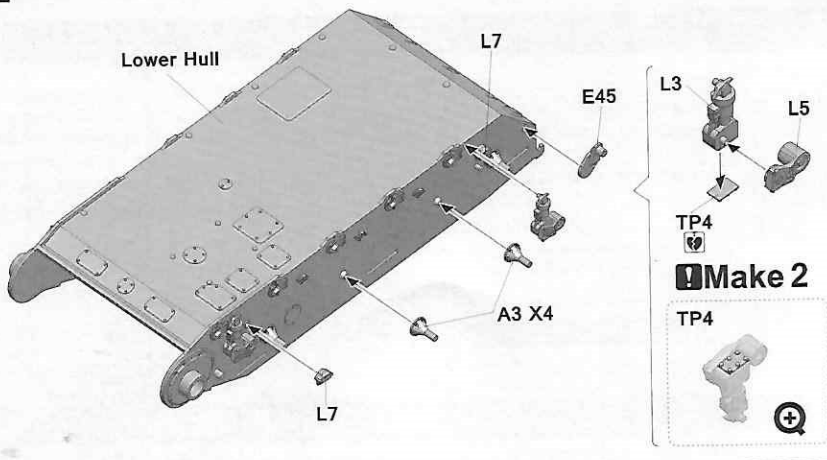


Lower Hull

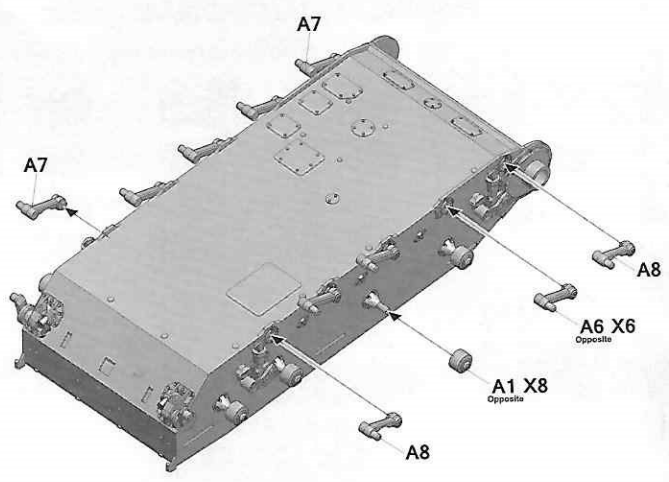


X2

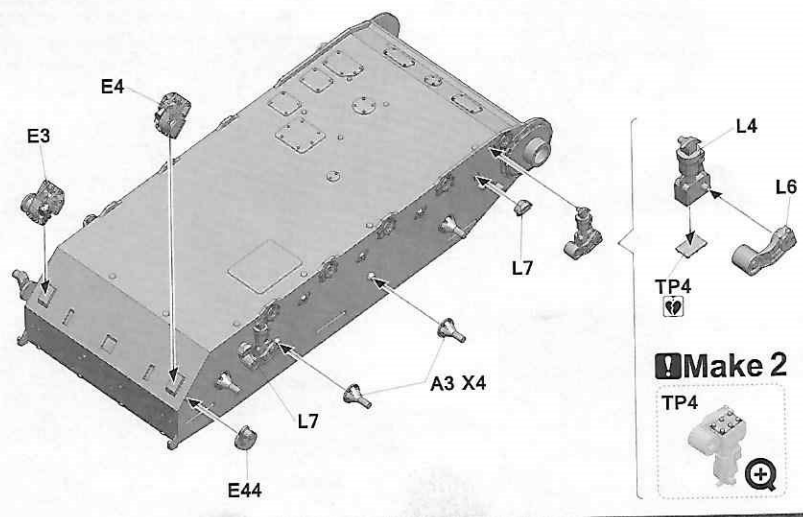
1



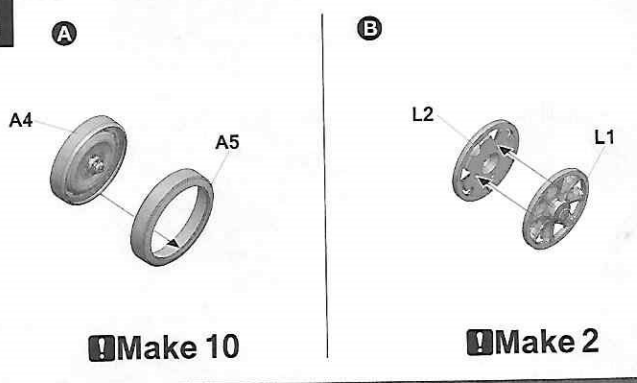
3



2



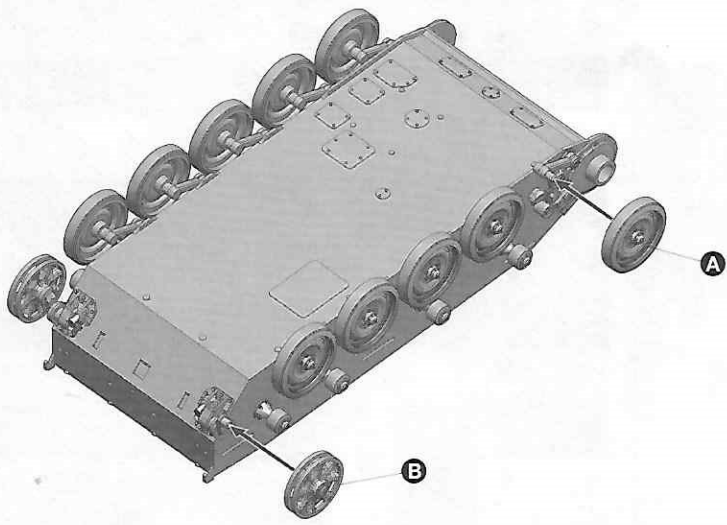
4



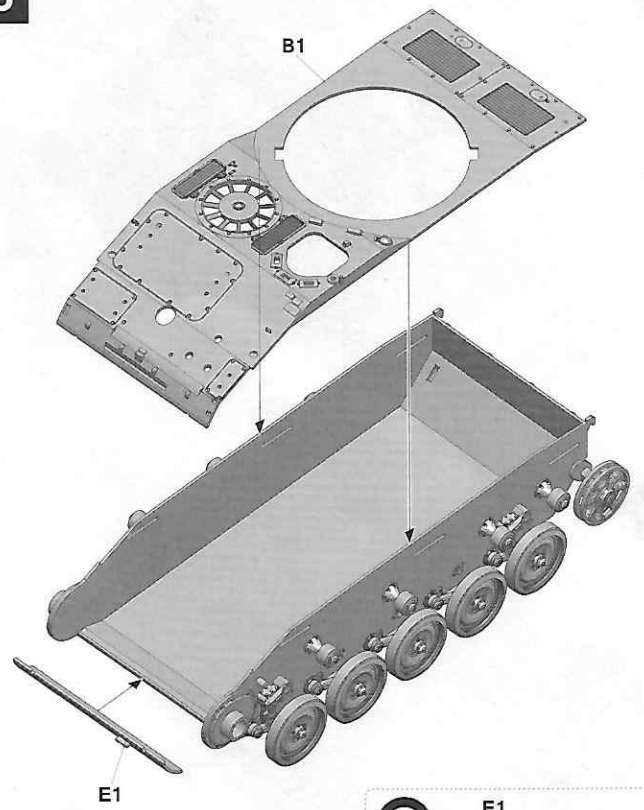
3



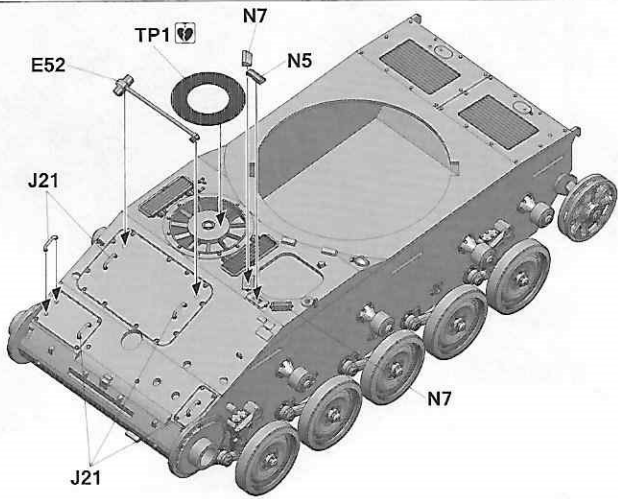
5



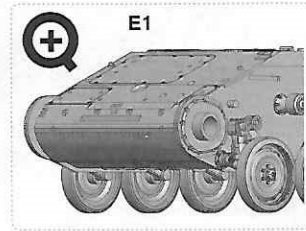
6



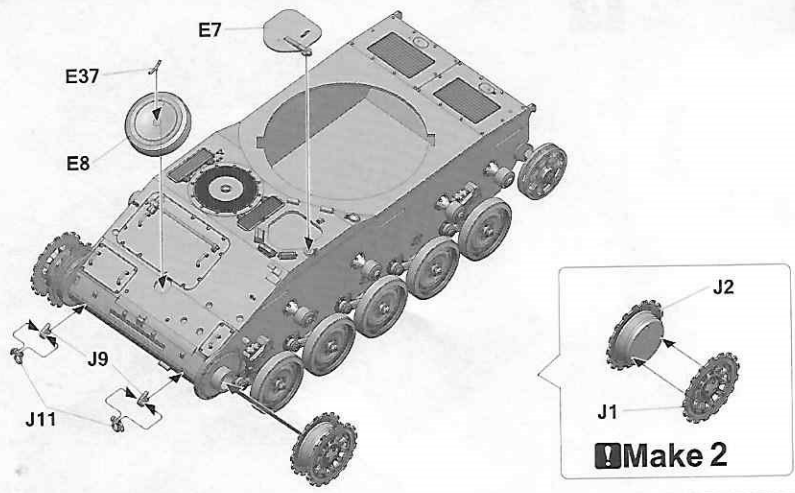
7



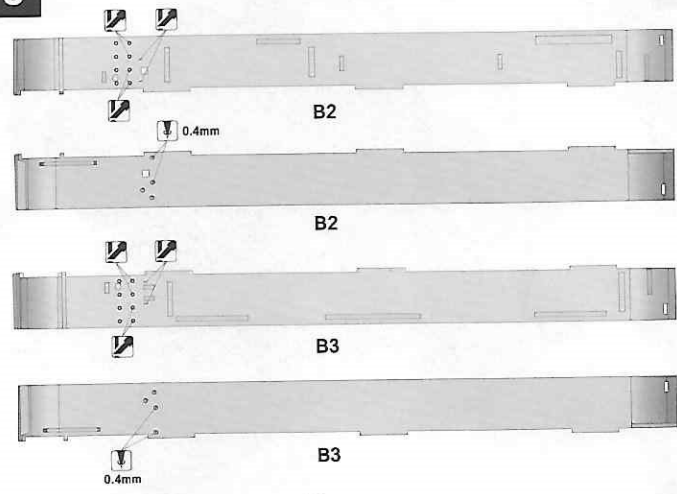
4



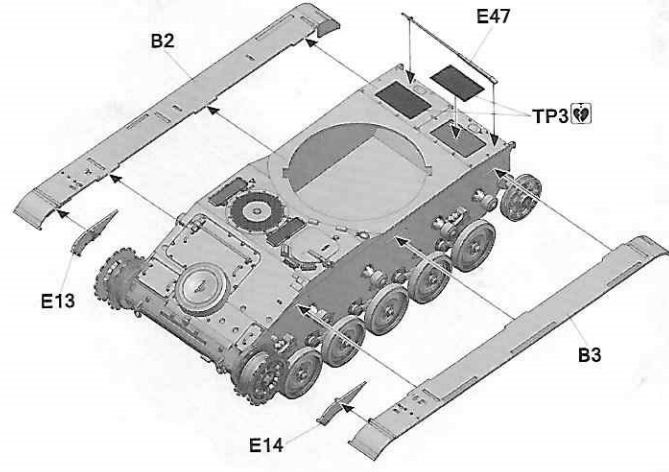
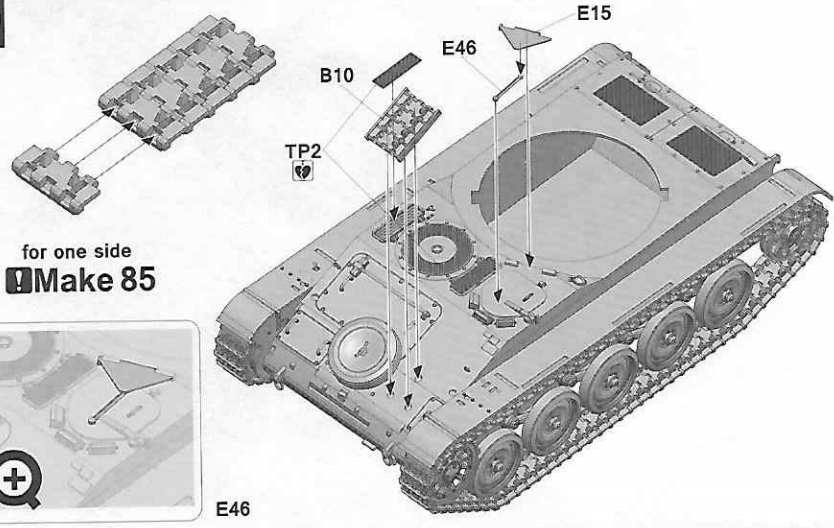
8

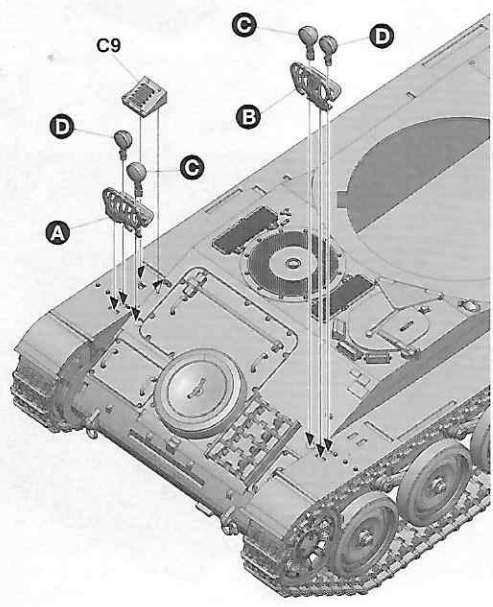
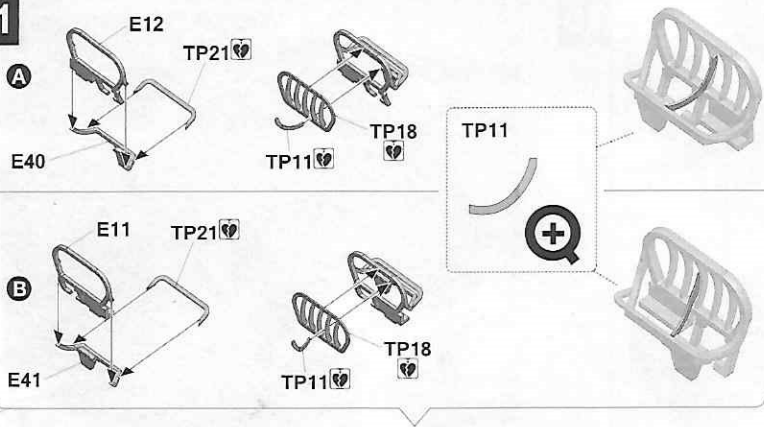


9

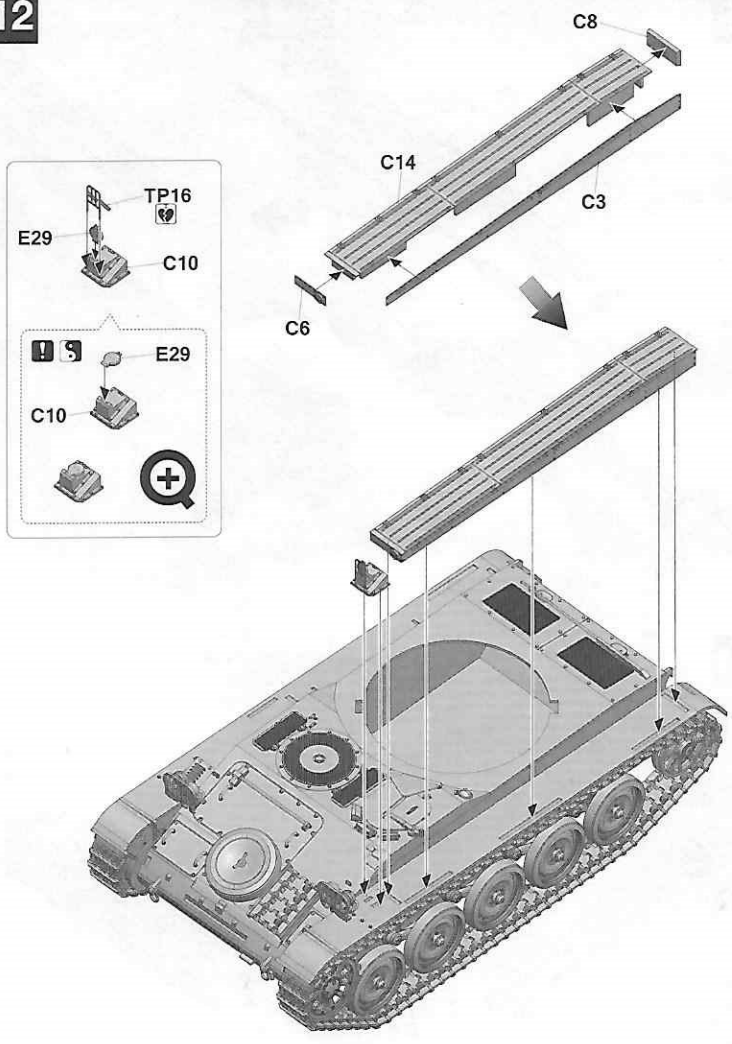


10

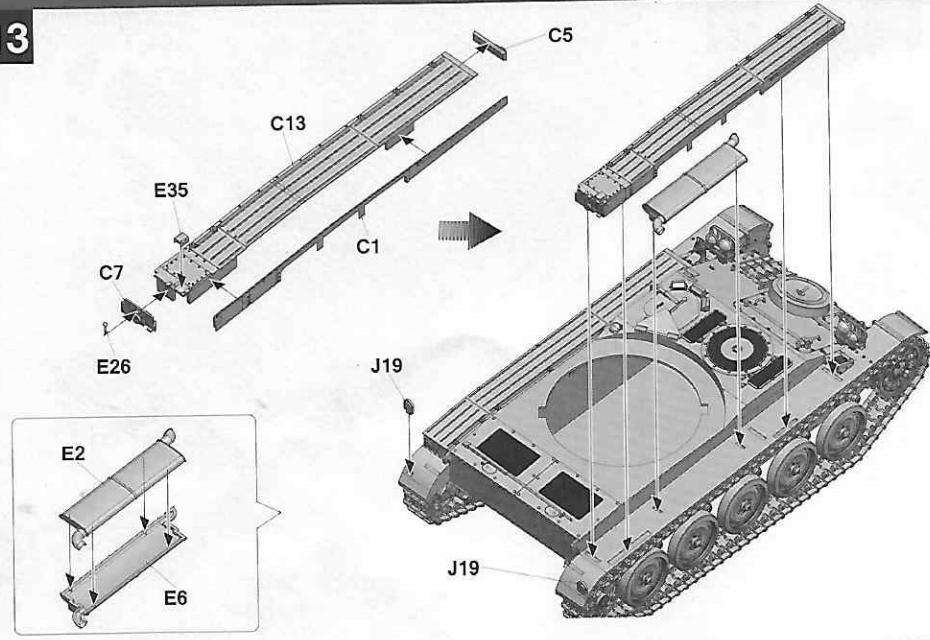




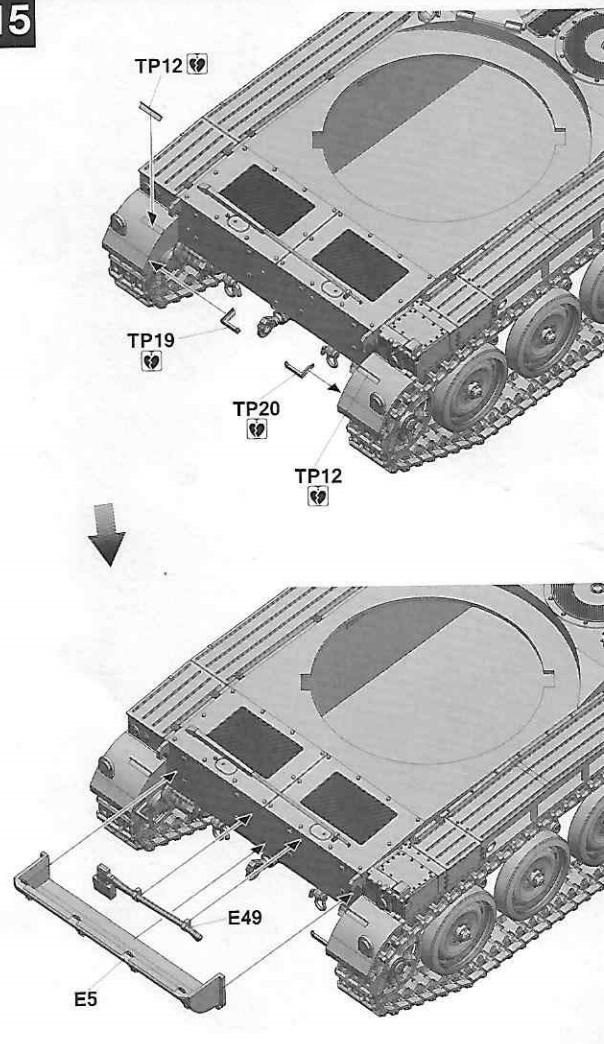
- C** J17  
N8 **Make 2**
- D** J18  
N2 **Make 2**



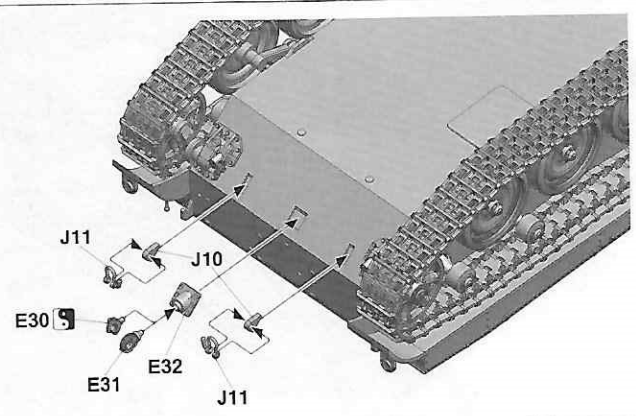
13



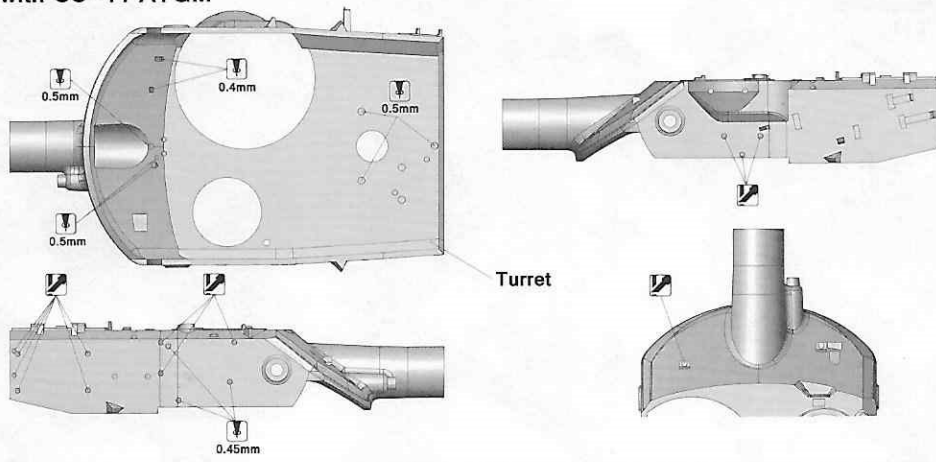
15



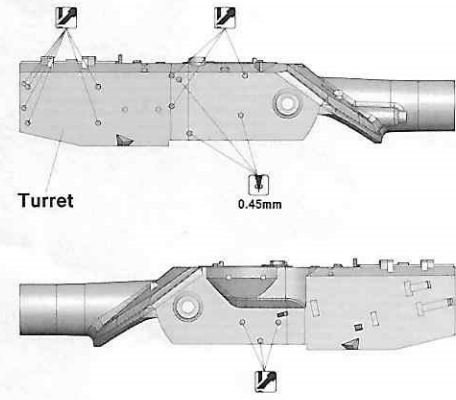
14



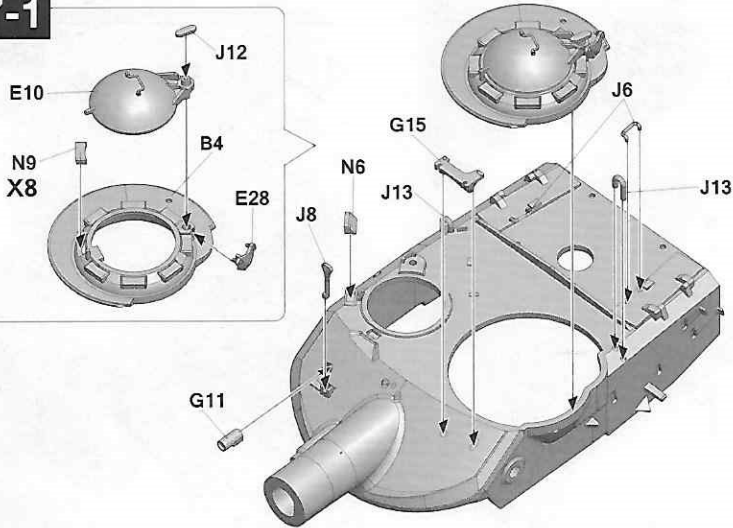
**16-1** with SS-11 ATGM



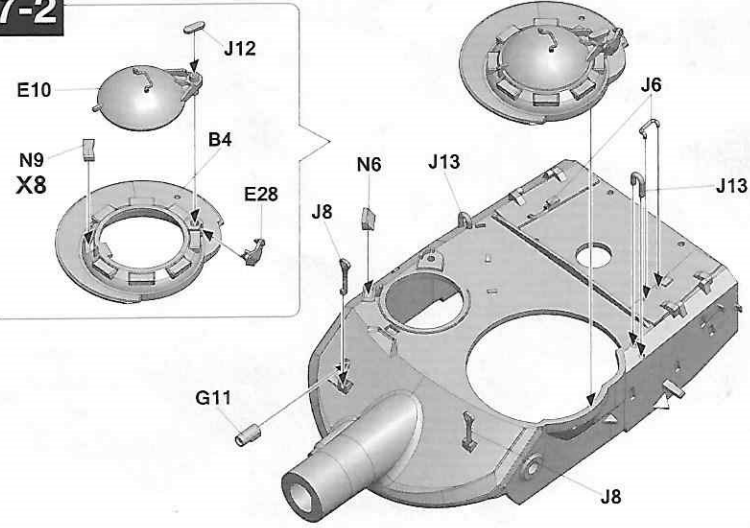
**16-2** Standard Version



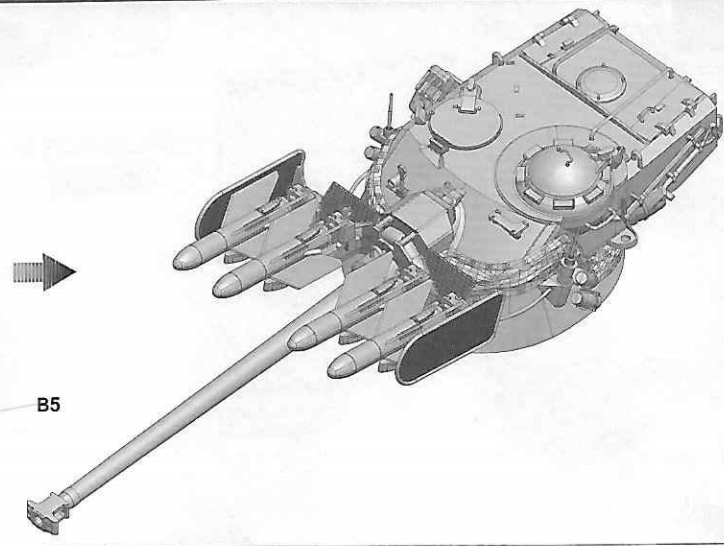
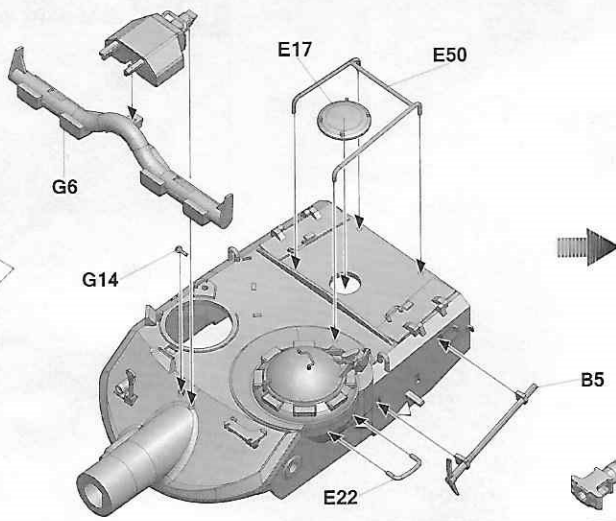
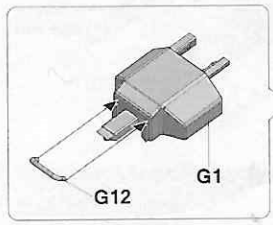
**17-1**



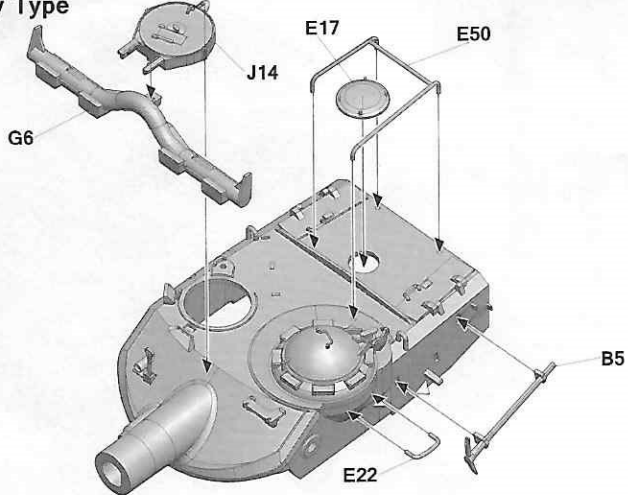
**17-2**



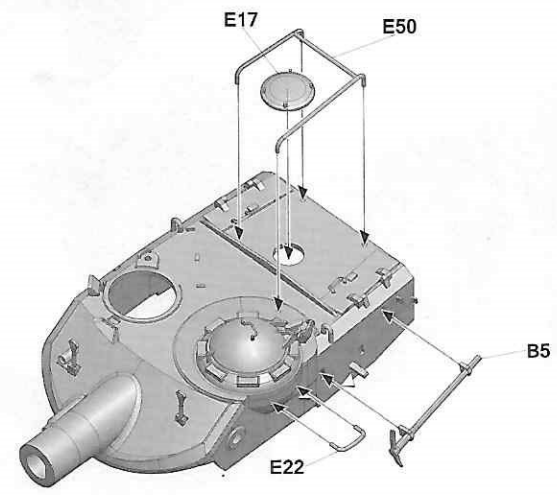
**18-1**  Late Type



**18-1** Early Type

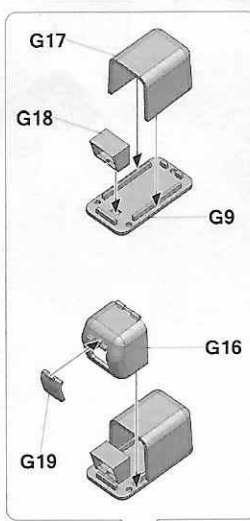
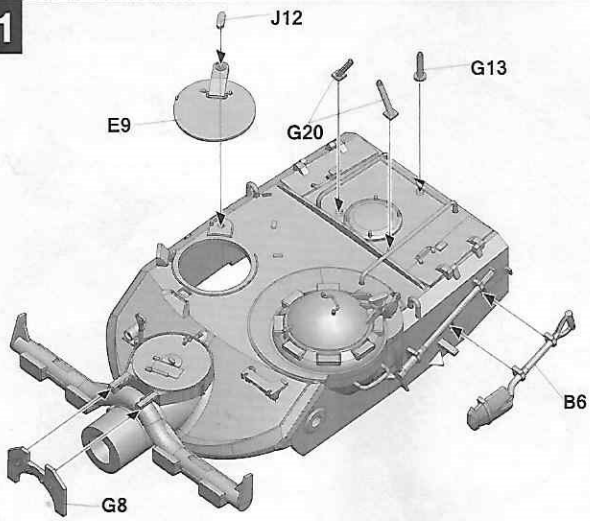


**18-2**

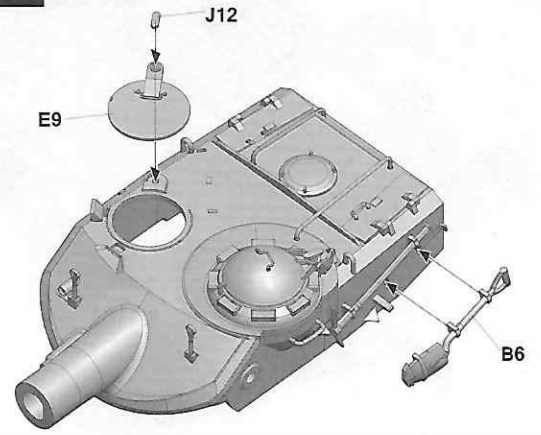




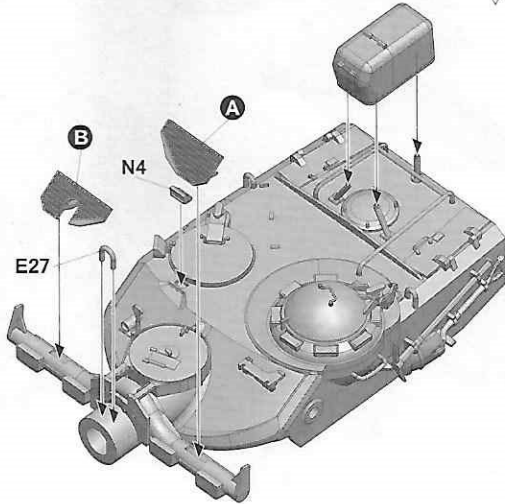
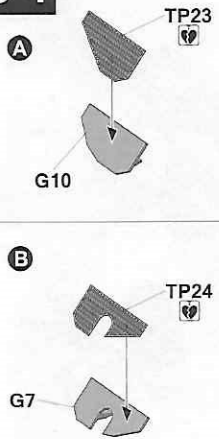
19-1



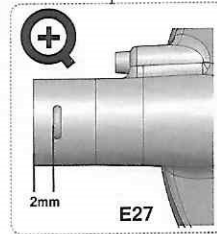
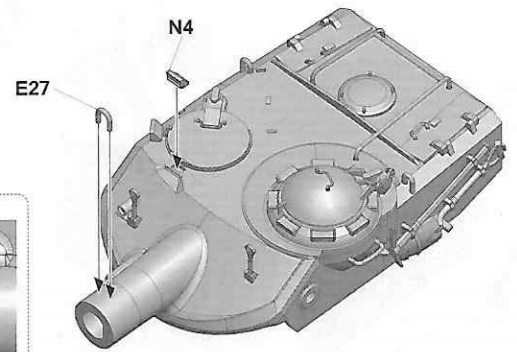
19-2



20-1

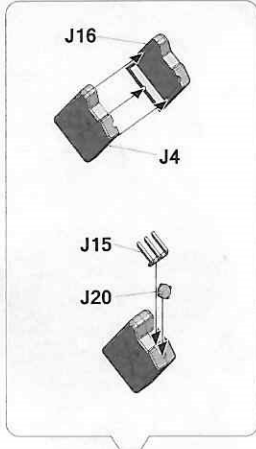
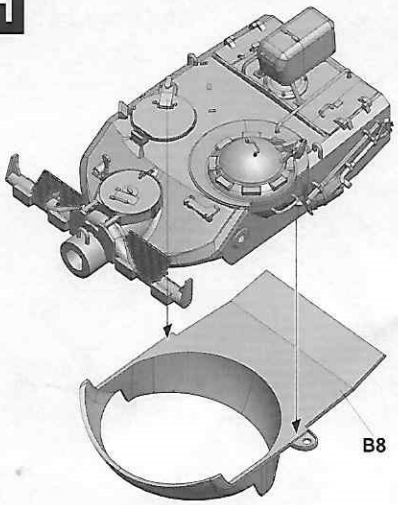


20-2

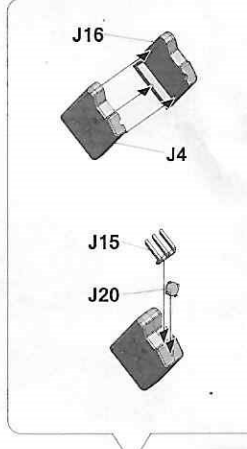
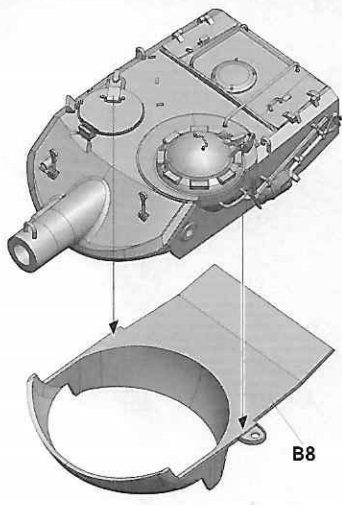




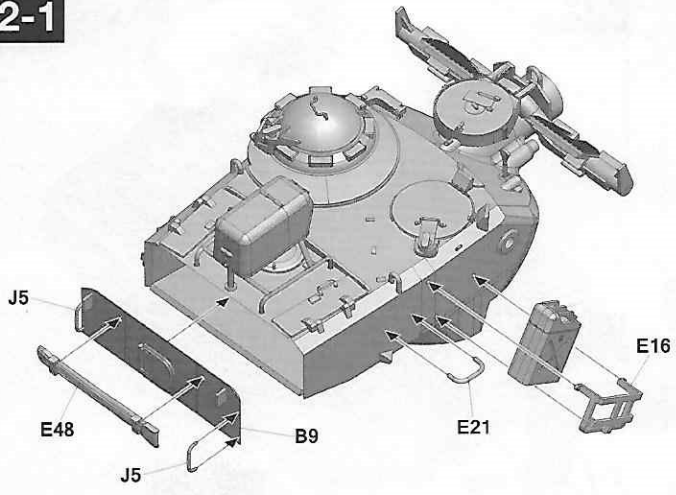
21-1



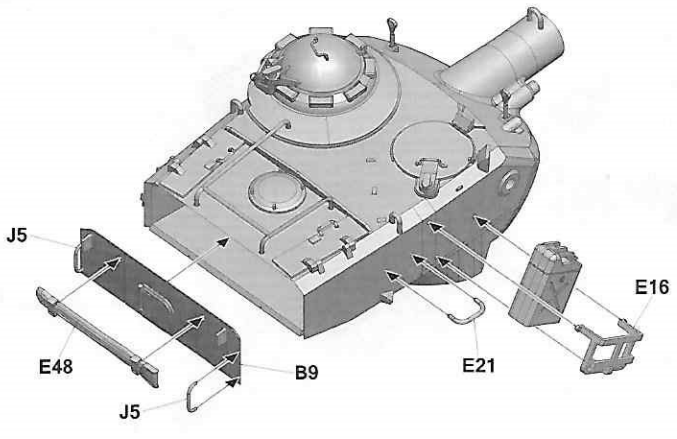
21-2



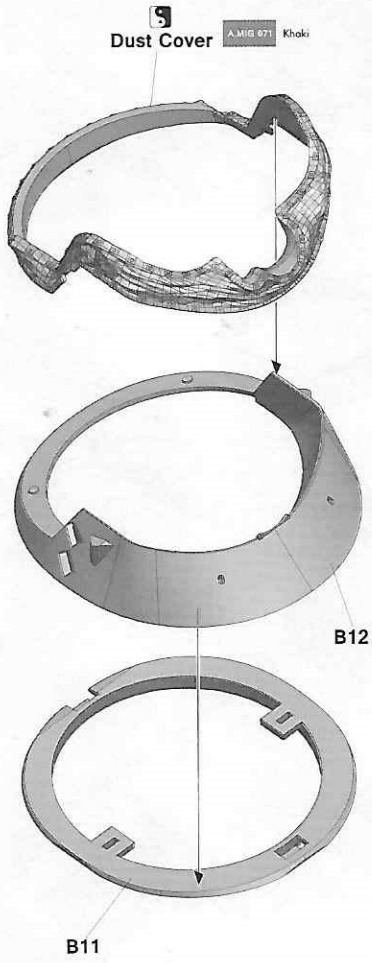
22-1



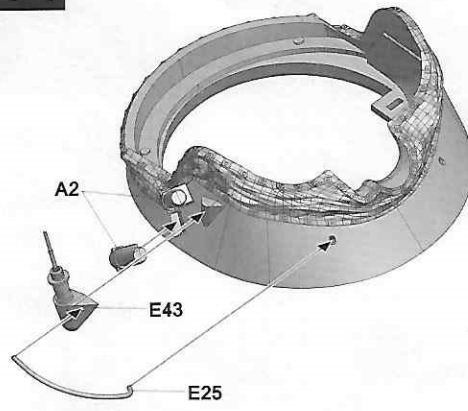
22-2



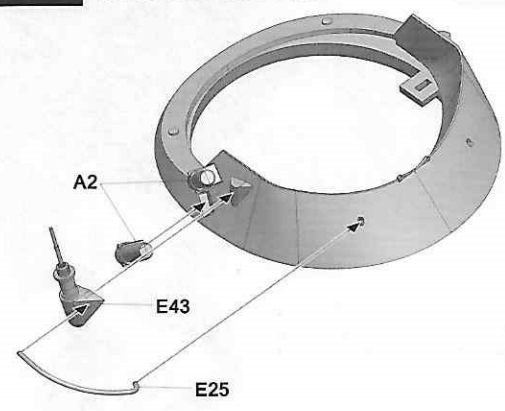
**23-1** with Dust Cover



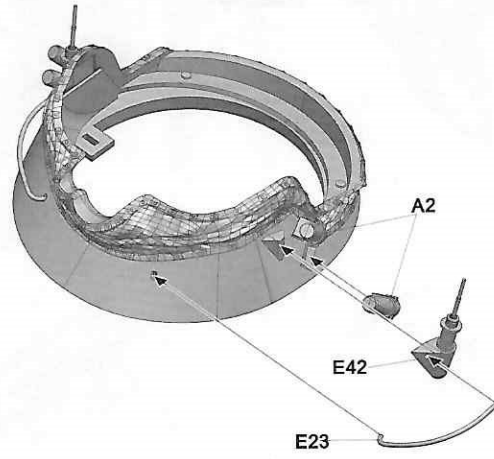
**24-1**



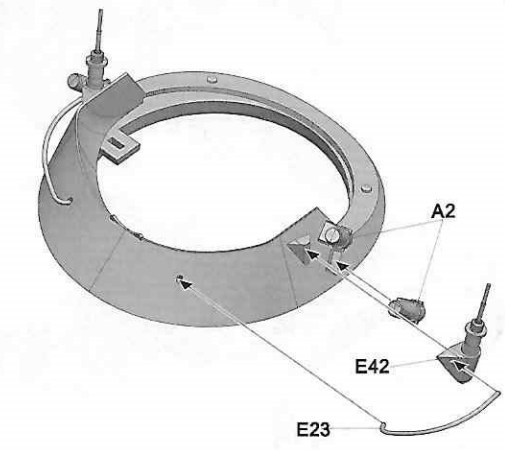
**24-2** Without Dust Cover



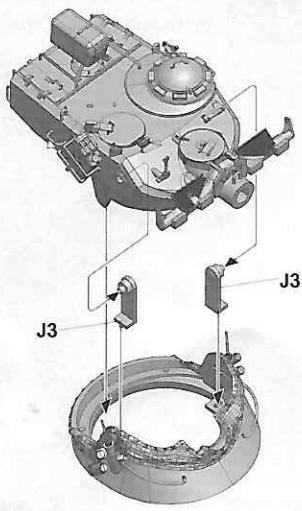
**25-1**



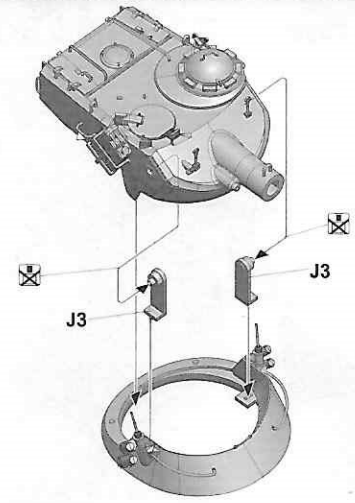
**25-2**



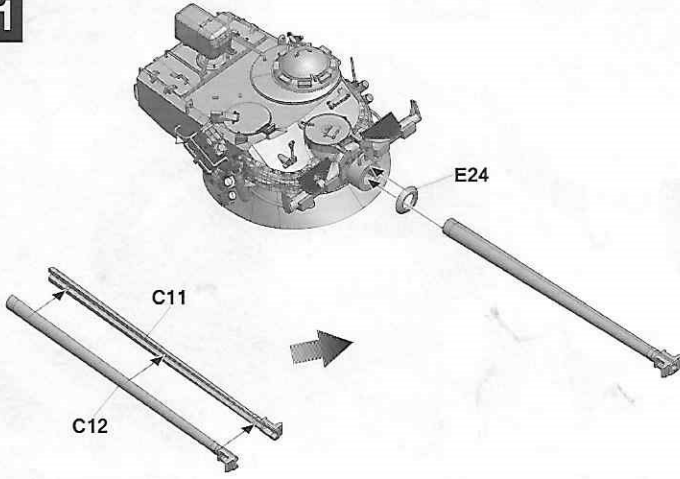
26-1



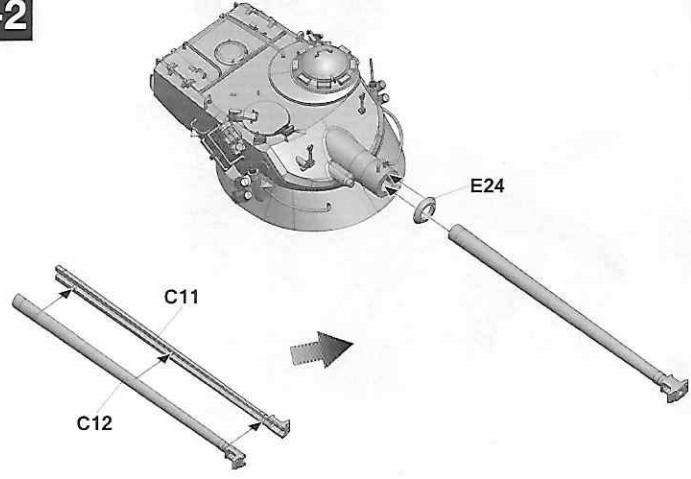
26-2

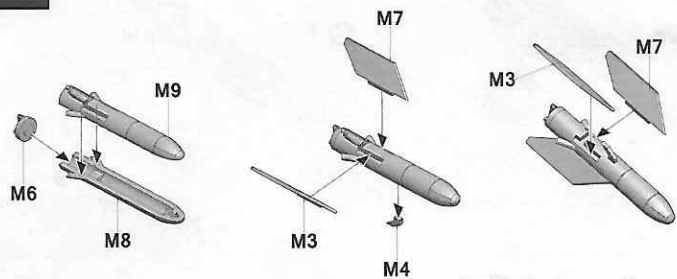


27-1



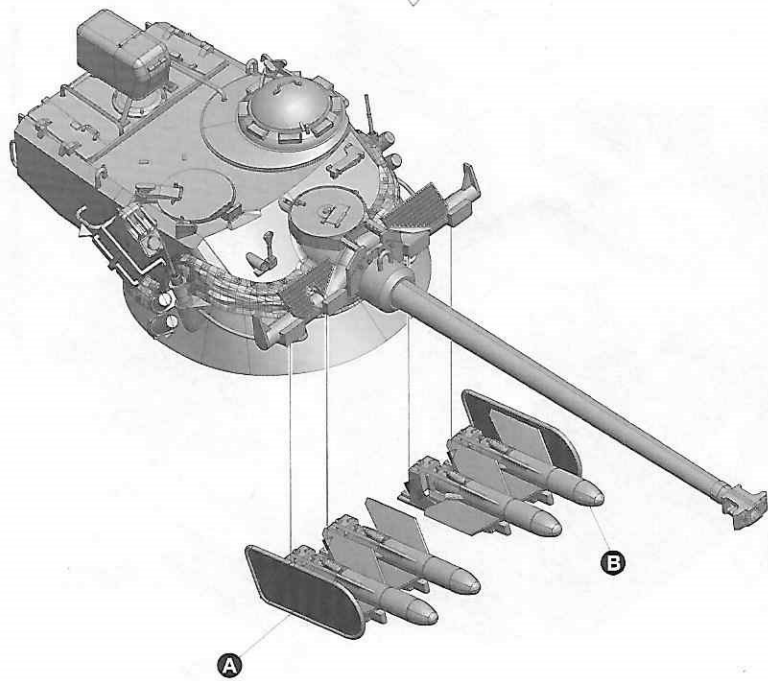
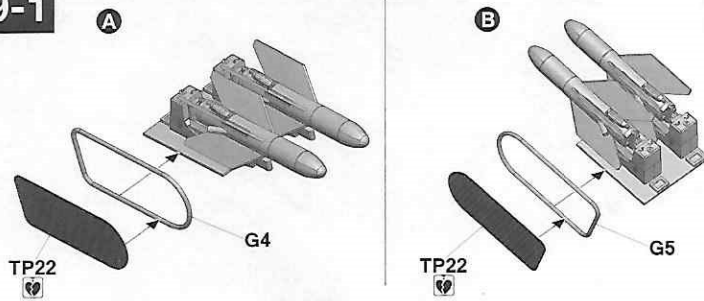
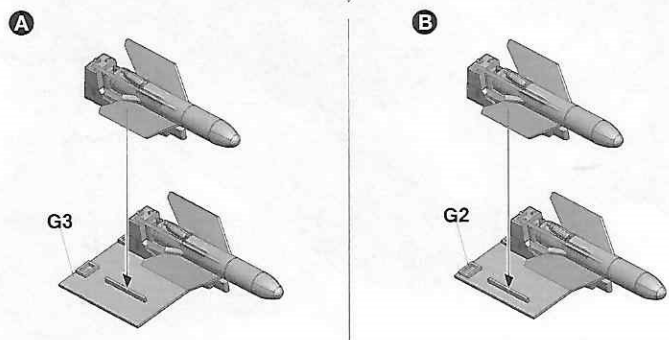
27-2



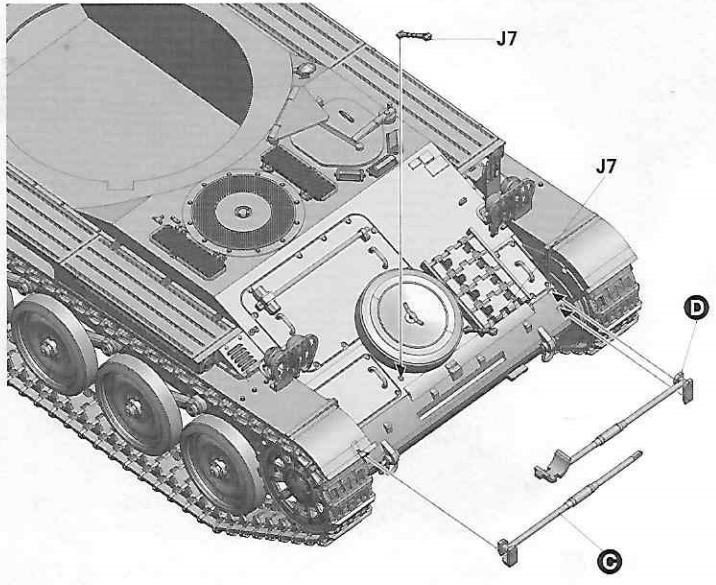
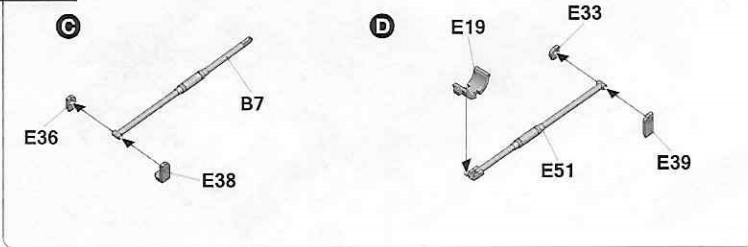


**Make 4**

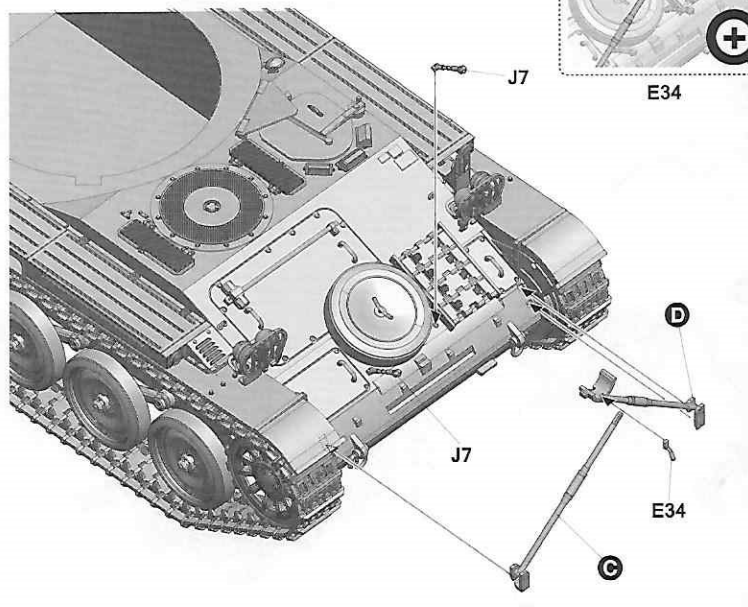
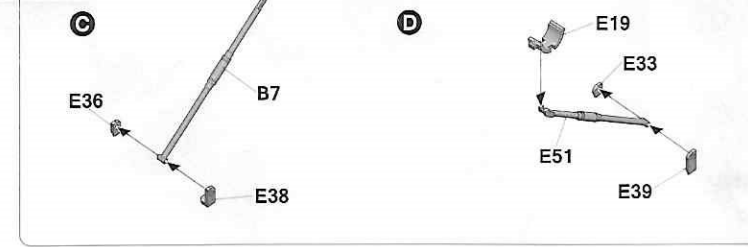
**Make 4**



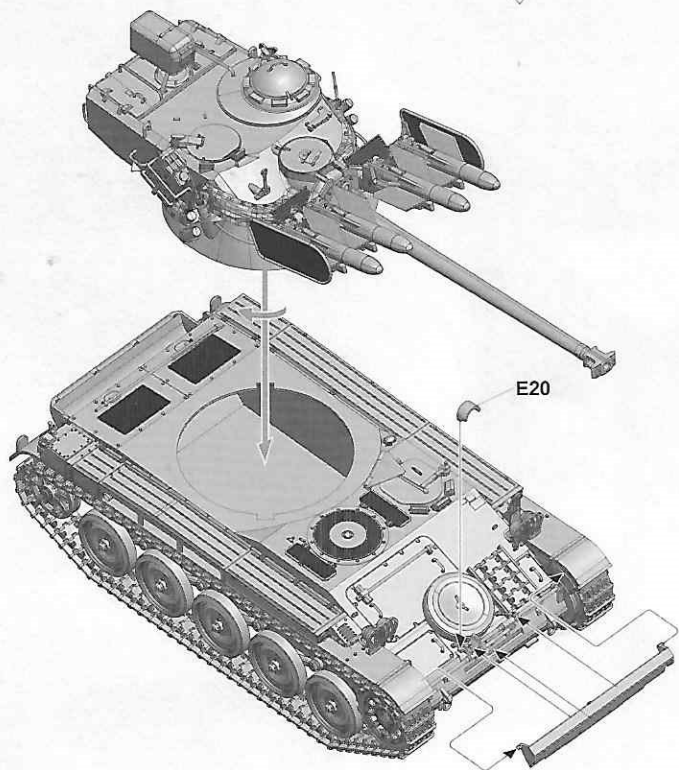
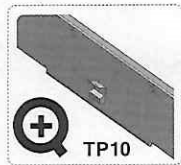
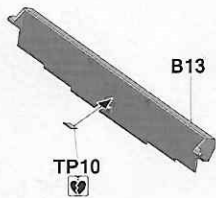
30-1



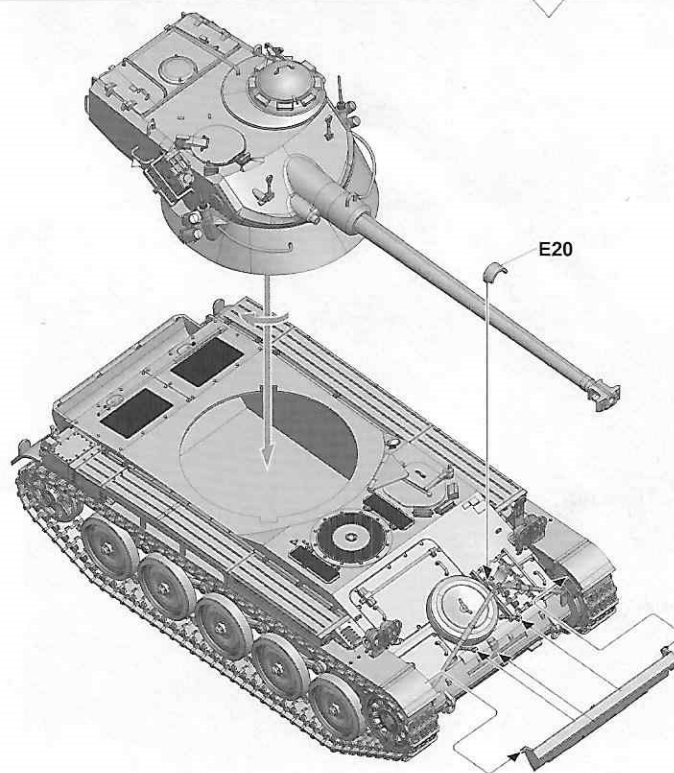
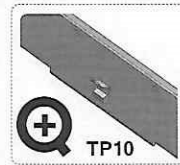
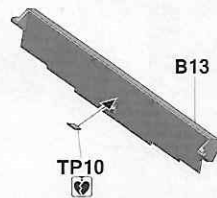
30-2

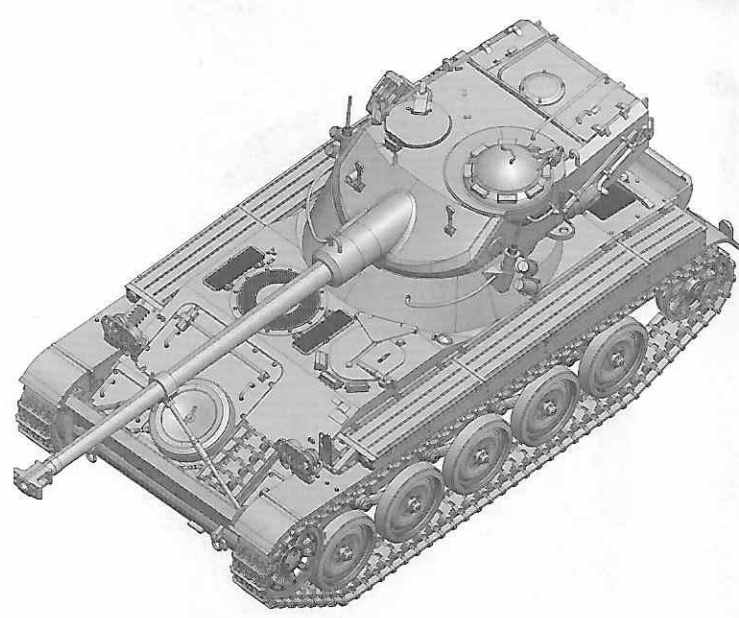
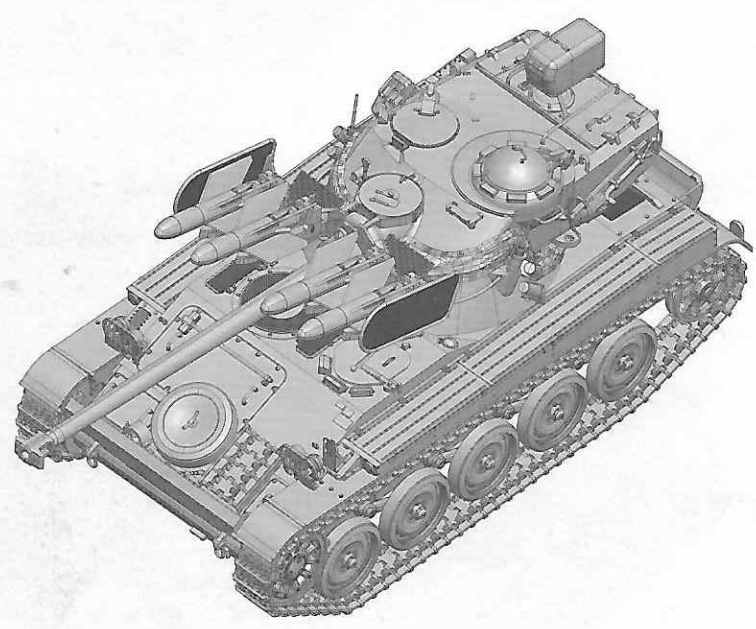


31-1



31-2









# AMX-13/75 w/SS-11 ATGM

Color info and profiles by



## Painting and Marking Guide

French Army

AMIG 033 Rubber & tires

AMIG 035 Dark tracks

AMIG 036 Oil Wood

AMIG 042 Old Rust

AMIG 045 Gun Metal

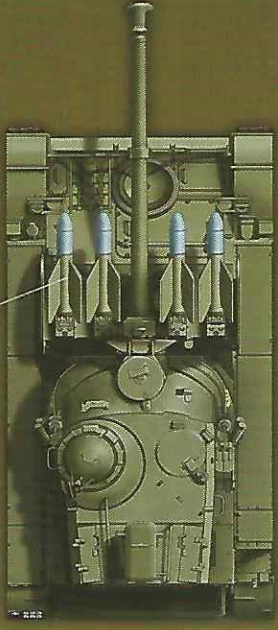
AMIG 093 Crystal Red

AMIG 081 US Olive Drab

AMIG 084 NATO Green

AMIG 046 Missile Blue

AMIG 047 Missile Blue



Missile Blue 084

045

035

081

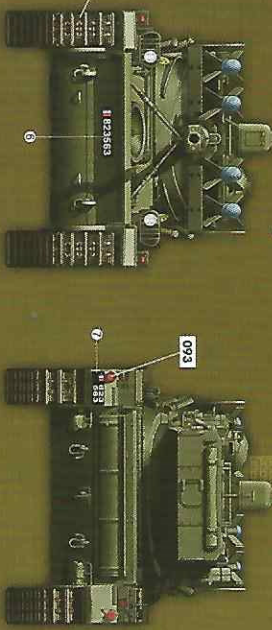
033

042

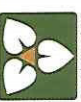


035

093



## Painting and Marking Guide



# AMX-13/75 w/SS-11 ATGM

Color info and profiles by



## Painting and Marking Guide

Dominican Republic Army, Revolucion de Abril, 1965  
2 AMX 13 were destroyed by USMC M-58 Chibs

AMIG 033 Rubber & Tires

AMIG 035 Dark tracks

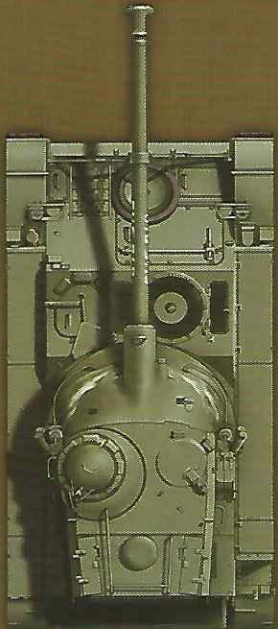
AMIG 036 Oil Wood

AMIG 042 Old Rust

AMIG 045 Gun Metal

AMIG 093 Crystal Red

AMIG 081 Crystal Red



045

035

081

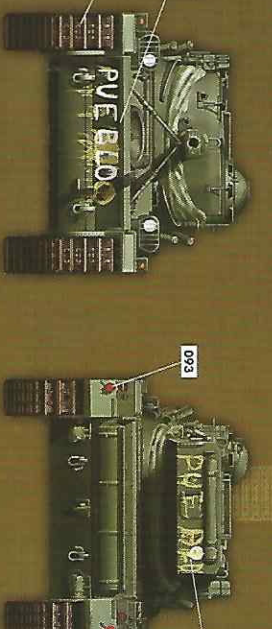
033

042



035

093



optional

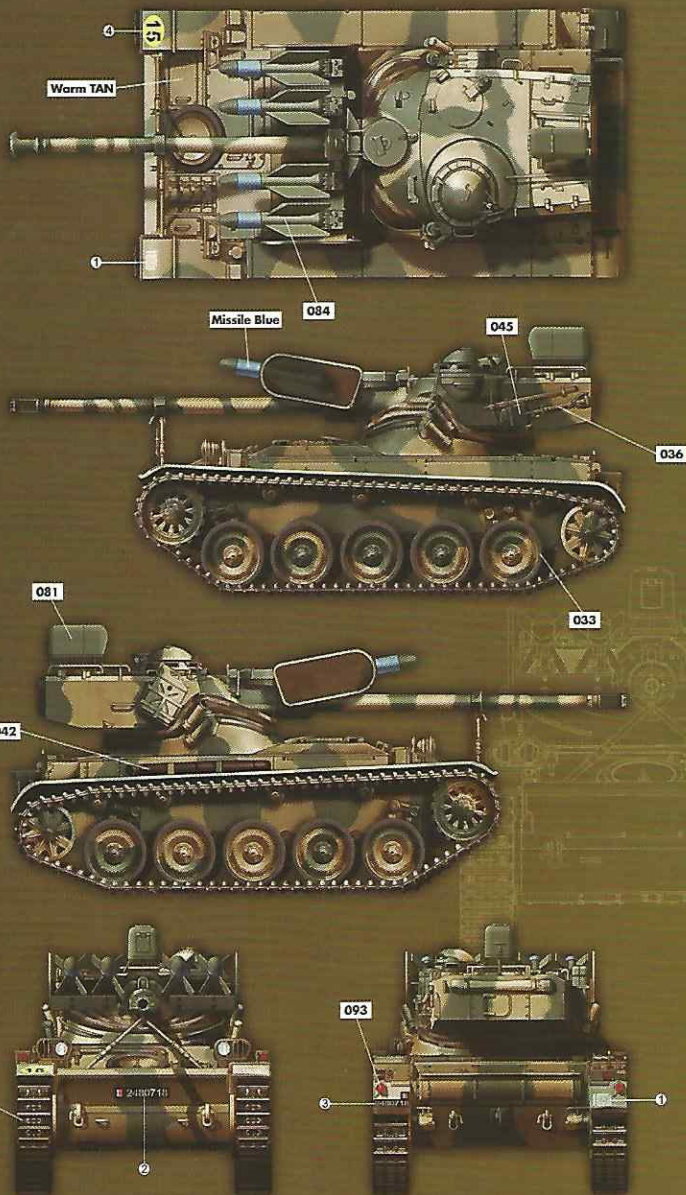
optional



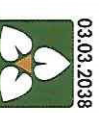
## Painting and Marking Guide

- A.MIG 033 Rubber & Tires
- A.MIG 035 Dark Tracks
- A.MIG 036 Old Wood
- A.MIG 042 Old Rust
- A.MIG 045 Gun Metal
- A.MIG 093 Crystal Red
- A.MIG 081 US Olive Drab
- A.MIG 084 NATO Green
- A.MIG 047 / A.MIG 855 Warm TAN
- A.MIG 088 / A.MIG 208 Missile Blue

French Army







# AMX-13/75 w/SS-11 ATGM

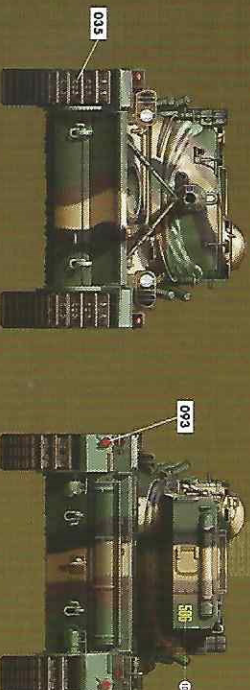
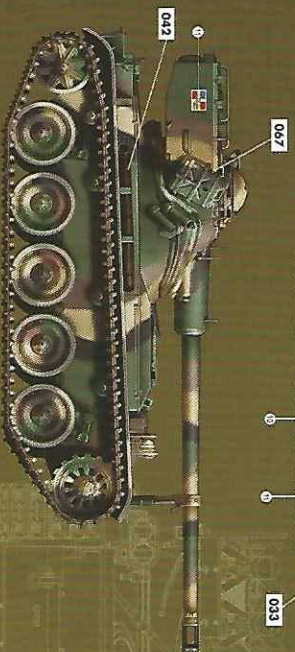
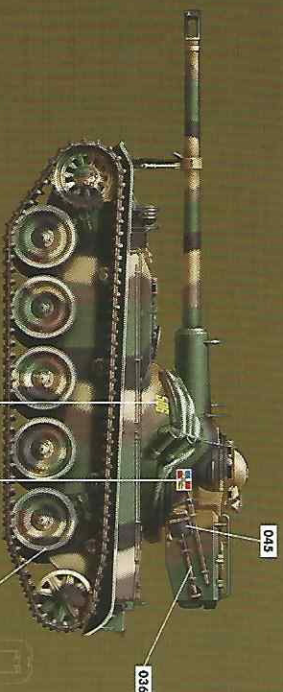
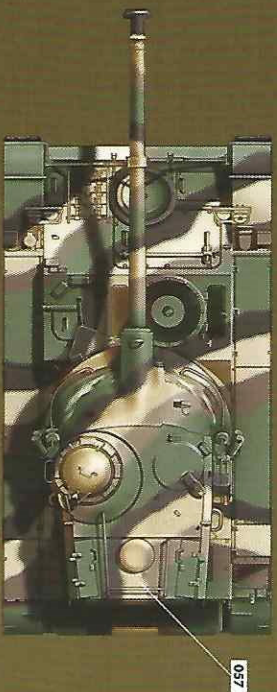
Color info and profiles by



## Painting and Marking Guide

Dominican Republic Army

- AMIG 033 Rubber & Tires
- AMIG 034 Dark Fuchs
- AMIG 035 Old Wood
- AMIG 032 Old Rust
- AMIG 045 Gun Metal
- AMIG 093 Crystal Red
- AMIG 007 DarkBrown
- AMIG 007 Yellow Grey
- AMIG 034 NATO Green



TAKOM AMX-13/75 SS11 ATGM Ref. 2038



# AMX-13/75 w/SS-11 ATGM

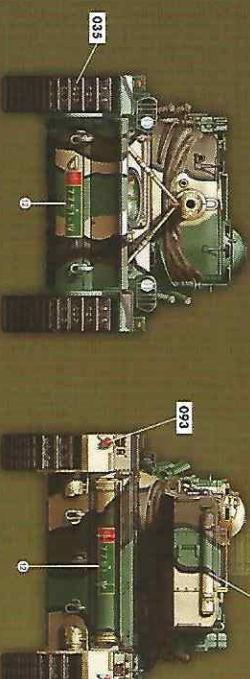
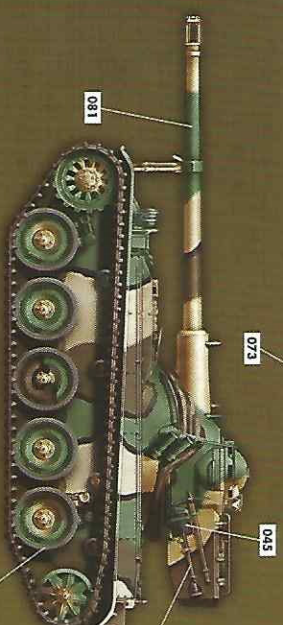
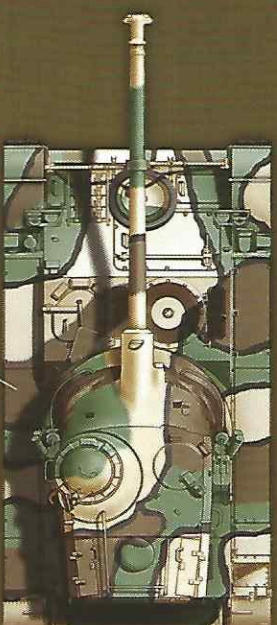
Color info and profiles by



## Painting and Marking Guide

Indonesia Army

- AMIG 033 Rubber & tires
- AMIG 034 Dark Fuchs
- AMIG 035 Old Wood
- AMIG 042 Old Rust
- AMIG 045 Gun Metal
- AMIG 093 Crystal Red
- AMIG 046 Kerf Block
- AMIG 007 Yellow Grey
- AMIG 073 Earth
- AMIG 081 US Olive Dsh



TAKOM AMX-13/75 SS11 ATGM Ref. 2038



