

Flakpanther w/8.8cm Flakrakete Rheintochter I

“黑豹”防空坦克(搭载“莱茵女儿”I型火箭)

READ BEFORE ASSEMBLY:

- Study and understand these instructions thoroughly before beginning assembly
- When needed, remove photo-etch parts carefully using a modeling knife or photo etch sprue cutter, being careful not to damage or lose small parts.
- Take extra care in handling photo etch parts in order to avoid injury
- Apply instant cement sparingly to photo etch parts where instructed
- Tools recommended(not included in kit):Plastic and instant cements, sprue cutters,long nose pliers,modeling knife, small files, tweezers, pin vise & scissors. Soft cloth and sandpaper will also assist in construction
- Glue and paint are not included in the kit. Use plastic cement and hobby paints only. Color guide for purchasing paint is included in the kit.

装配之前仔细阅读

- 小心用模型锉刀锉平所有零件表面的注射浇口。
- 小心用刀片切下蚀刻片零件，不要遗失小零件。
- 用强力快干胶水粘合蚀刻片零件和金属轴。过量快干胶水使用可能导致可动零件会粘住，小心涂胶。
- 取蚀刻片时应特别注意安全，防止利边划伤手指。
- 某些零件表面需贴水上贴纸，请选择在装配的同时进行。
- 推荐模型工具(自备)：胶水，水口剪刀，长咀钳，刀片，锉刀，镊子，钳，钻，剪刀，瞬间快干胶。
- 软布同砂纸同时也应该是必备工具。
- 请使用塑料胶水和油漆，模型内不含。



配重
Weight



使用强力胶
Cyanoacrylate glue



钻孔
Make hole



切除
Cut / Remove



贴纸
Decal



锉平
File / Sand



选择
Option



不涂胶水
No cement



弯曲
Bend



先装
Install it first

水贴纸的使用:

- 1.从水贴纸上剪下印花;
- 2.将印花放入温水中浸10秒，然后放在干净布上。
- 3.拿着印花纸板将印花移到模型上;
- 4.手指蘸水将印花移到适当的位置;
- 5.用软布轻压印花直至水干，汽泡消失

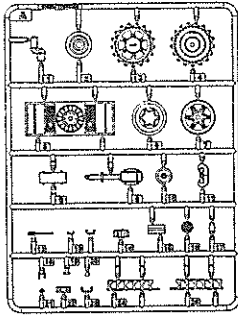
DECAL APPLICATION

- 1.Cut decals from sheet as needed
- 2.Dip the decal in warm water for about 10 seconds and then place on soft clean cloth.
- 3.Hold the decal backing sheet edge and gently slide the decal onto the model in its proper position.

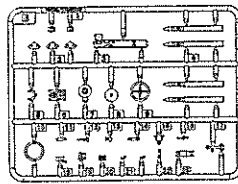
- 4.While still wet,decal can be adjusted for better fit on model by dampening it gently with your finger.
- 5.When placed in the proper position,gently press decal down with a soft cloth until excess water and air bubbles are gone.
- 6.Allow decal to dry completely before handling model

部品图
Parts

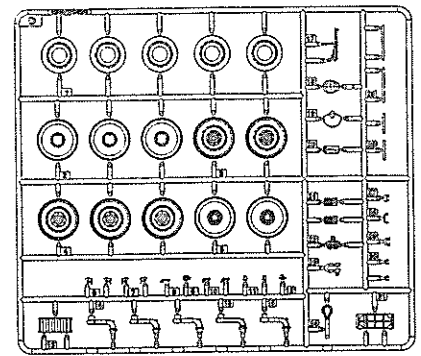
Ax2



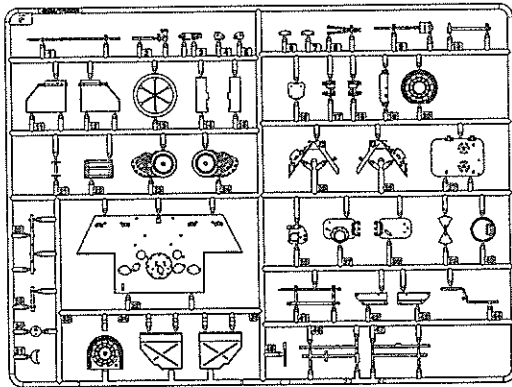
Bx2



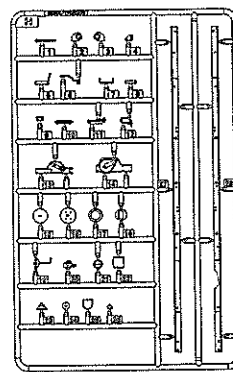
Dx4



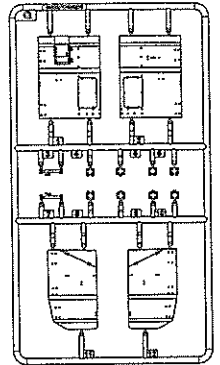
F



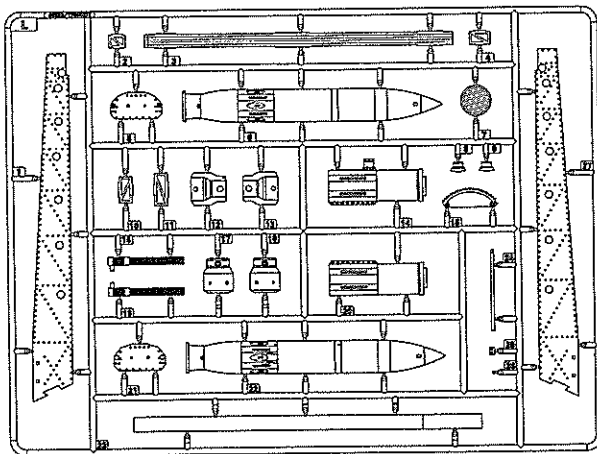
H



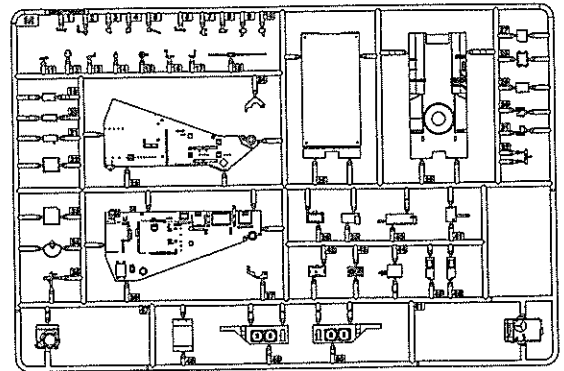
Q



L

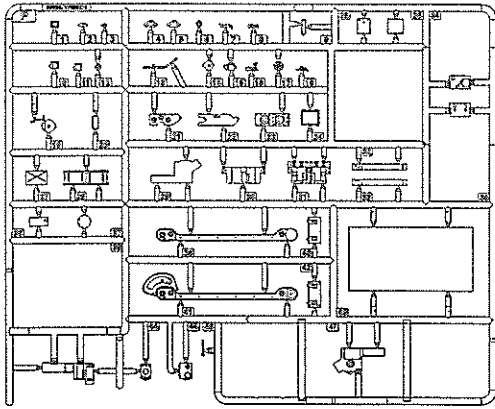


M

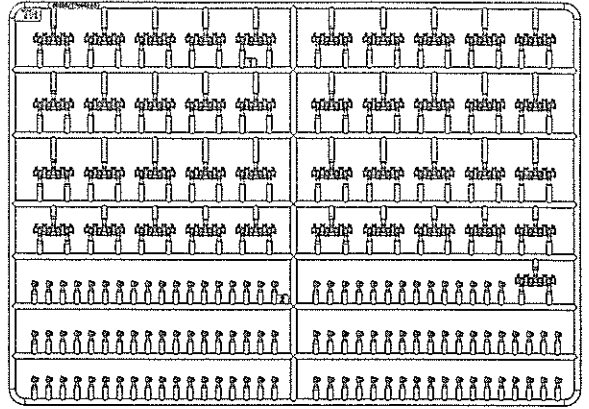


部品图
Parts

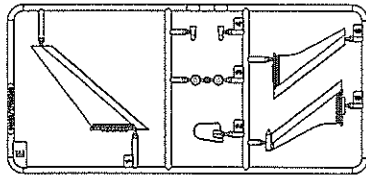
P



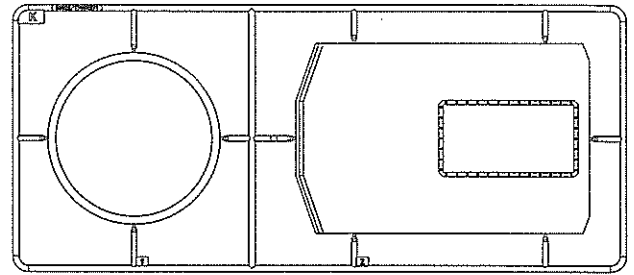
TRx5



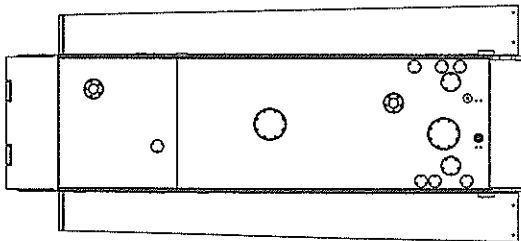
Ex4



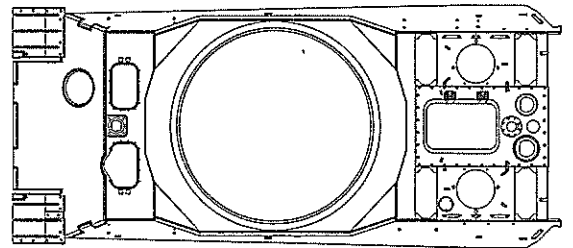
K



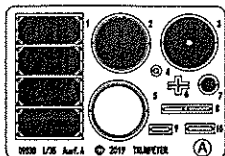
《车底》
Lower hull



《车面》
Upper hull



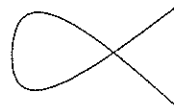
PE-A



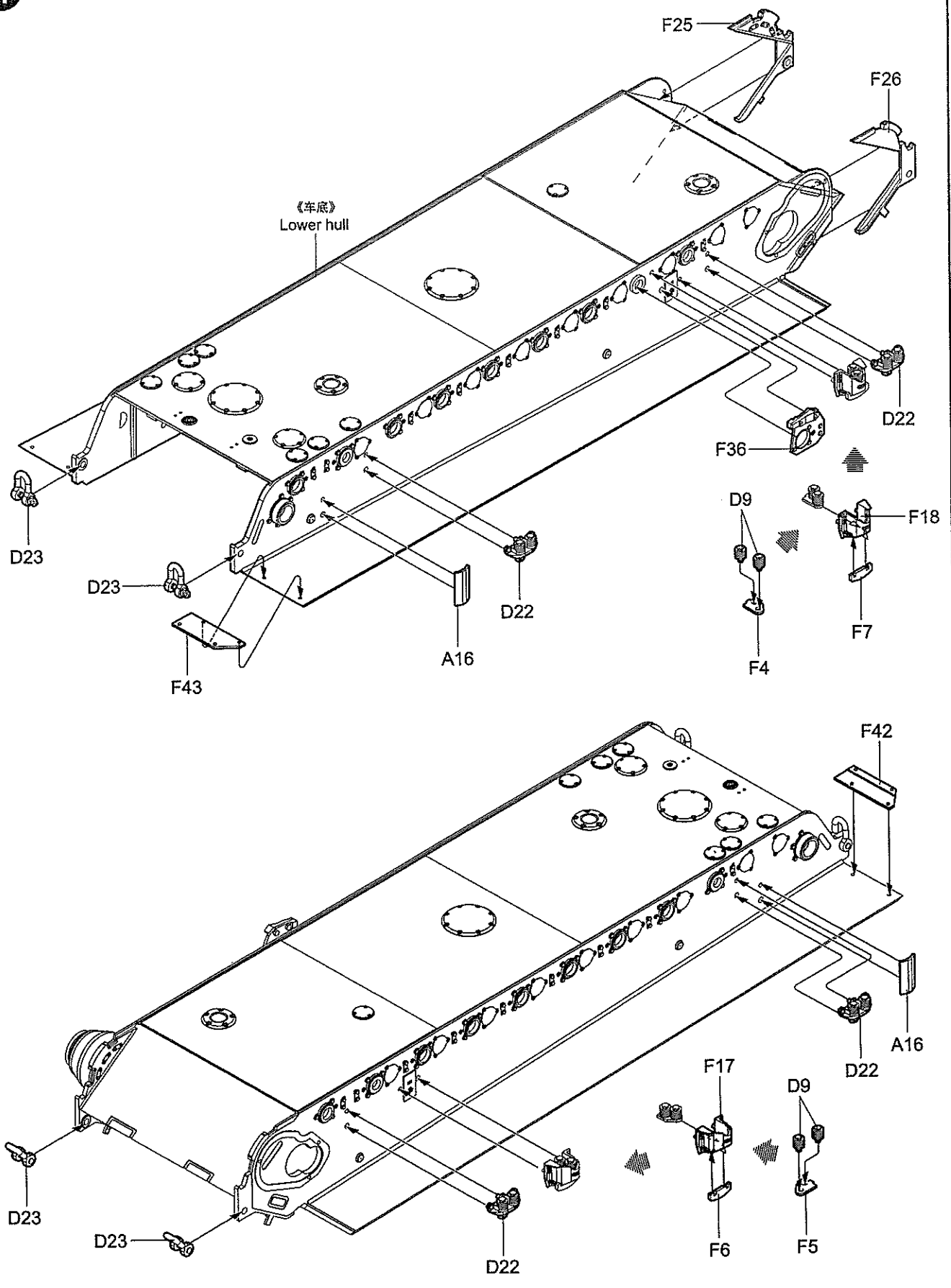
PE-B



《铜缆》
Brass wire

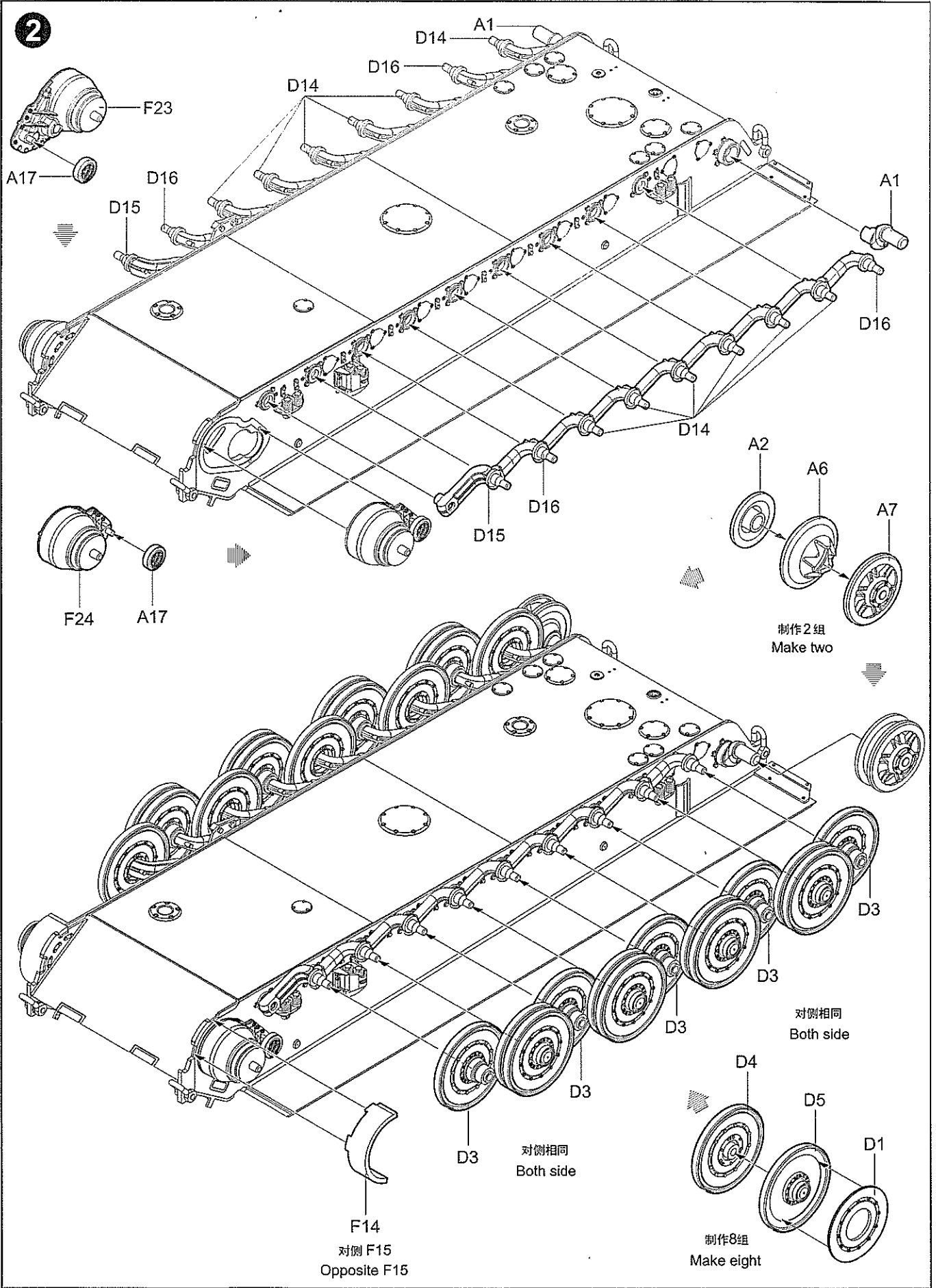


1

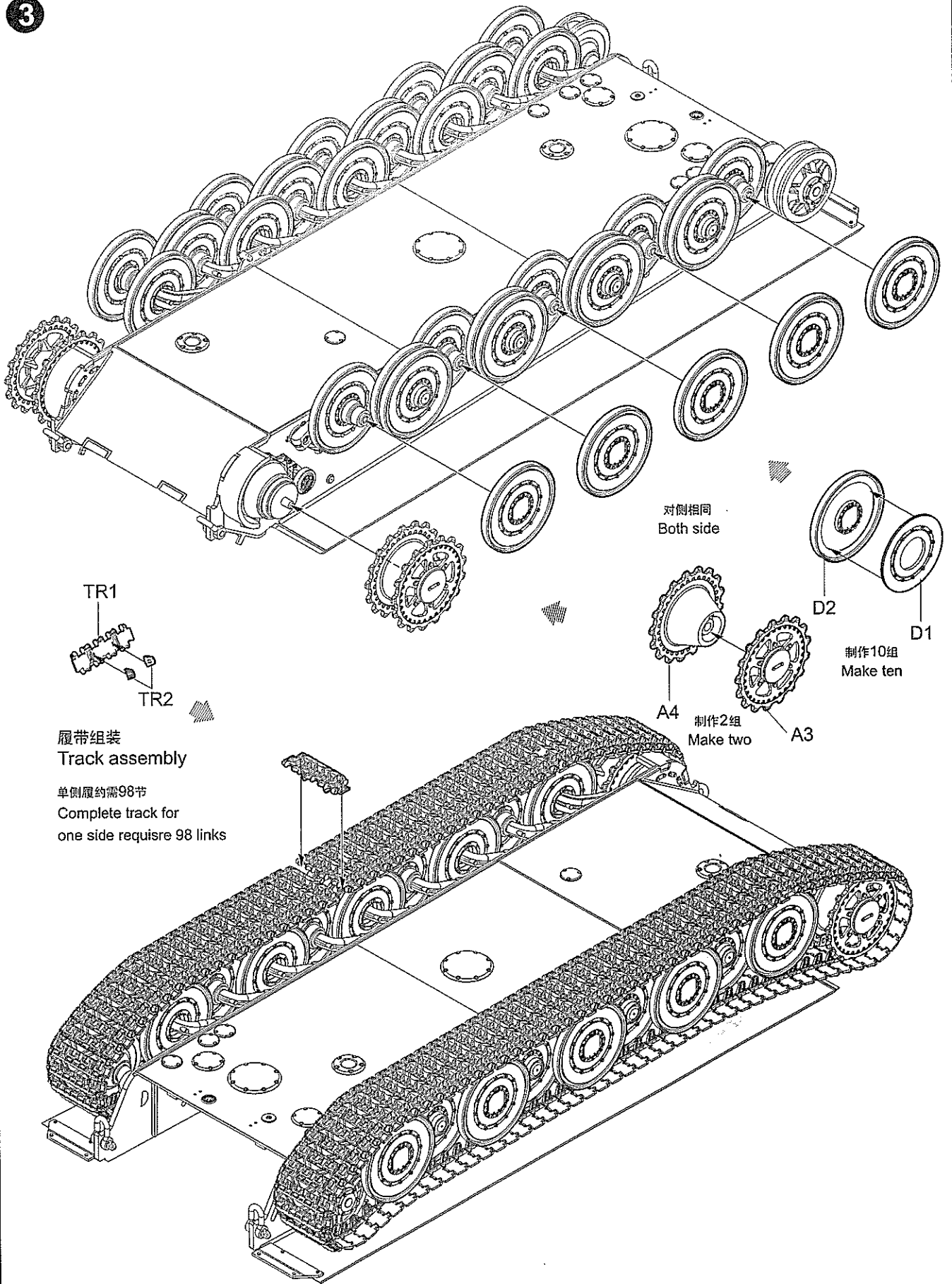


09532

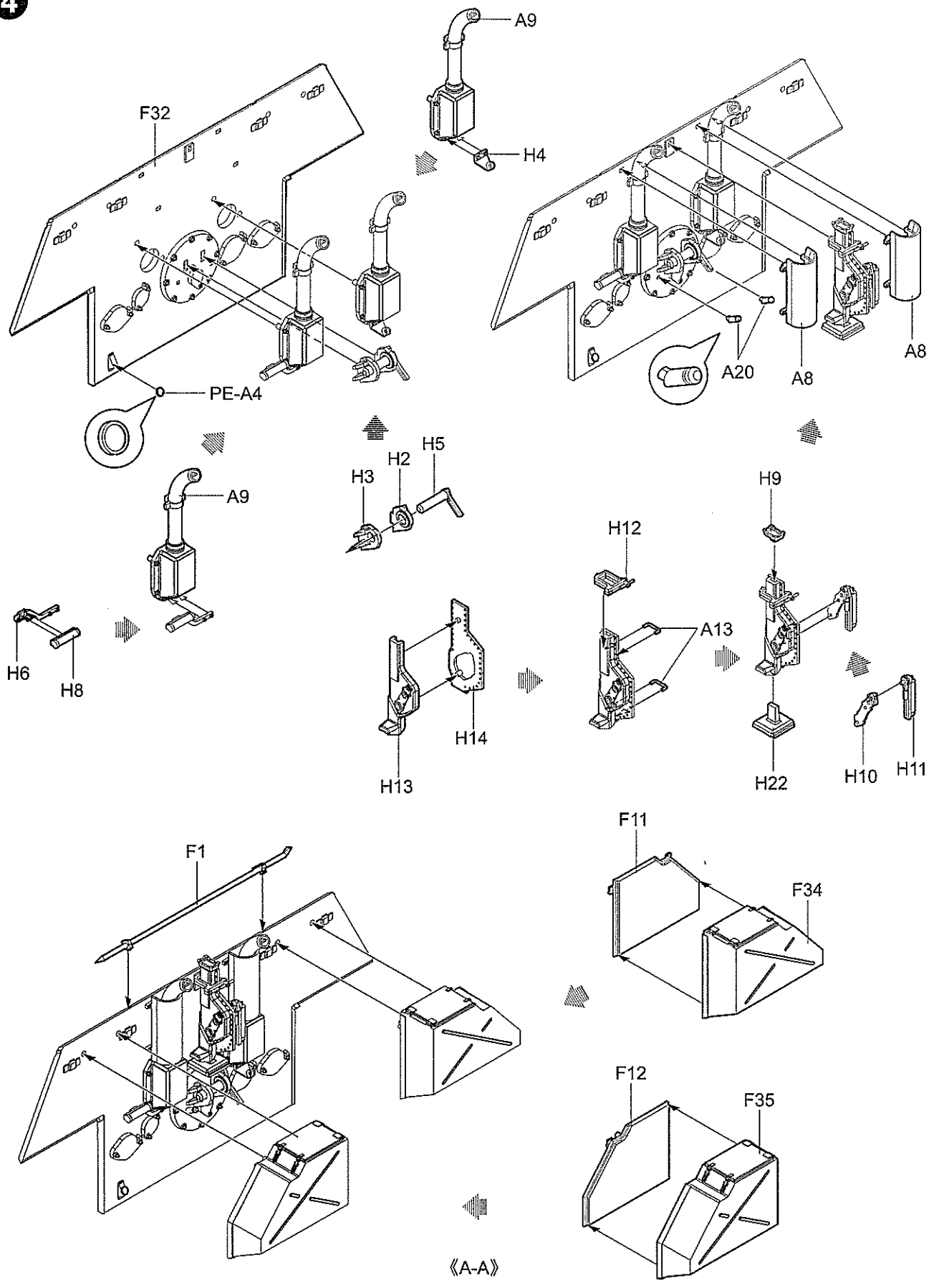
4



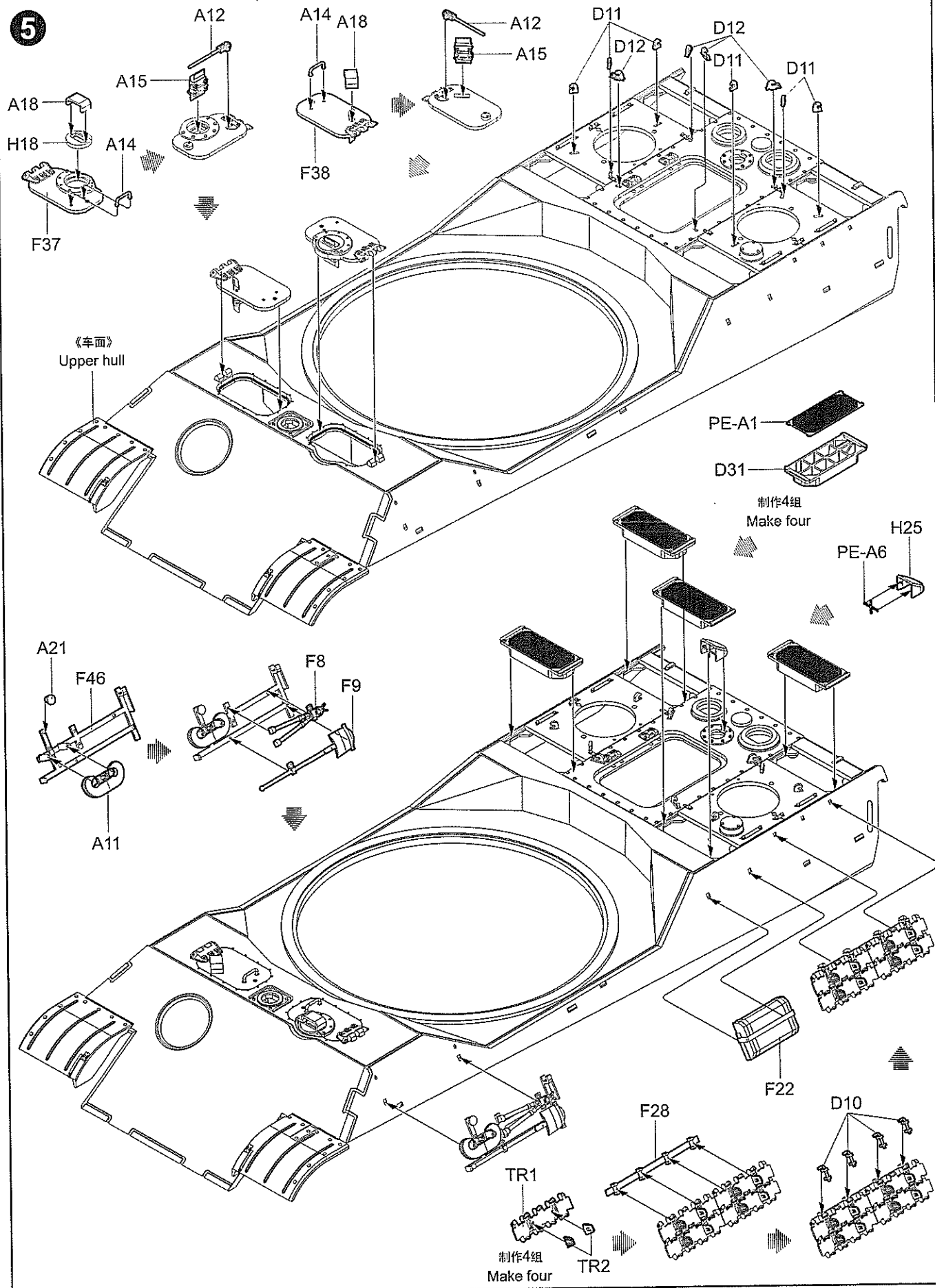
3



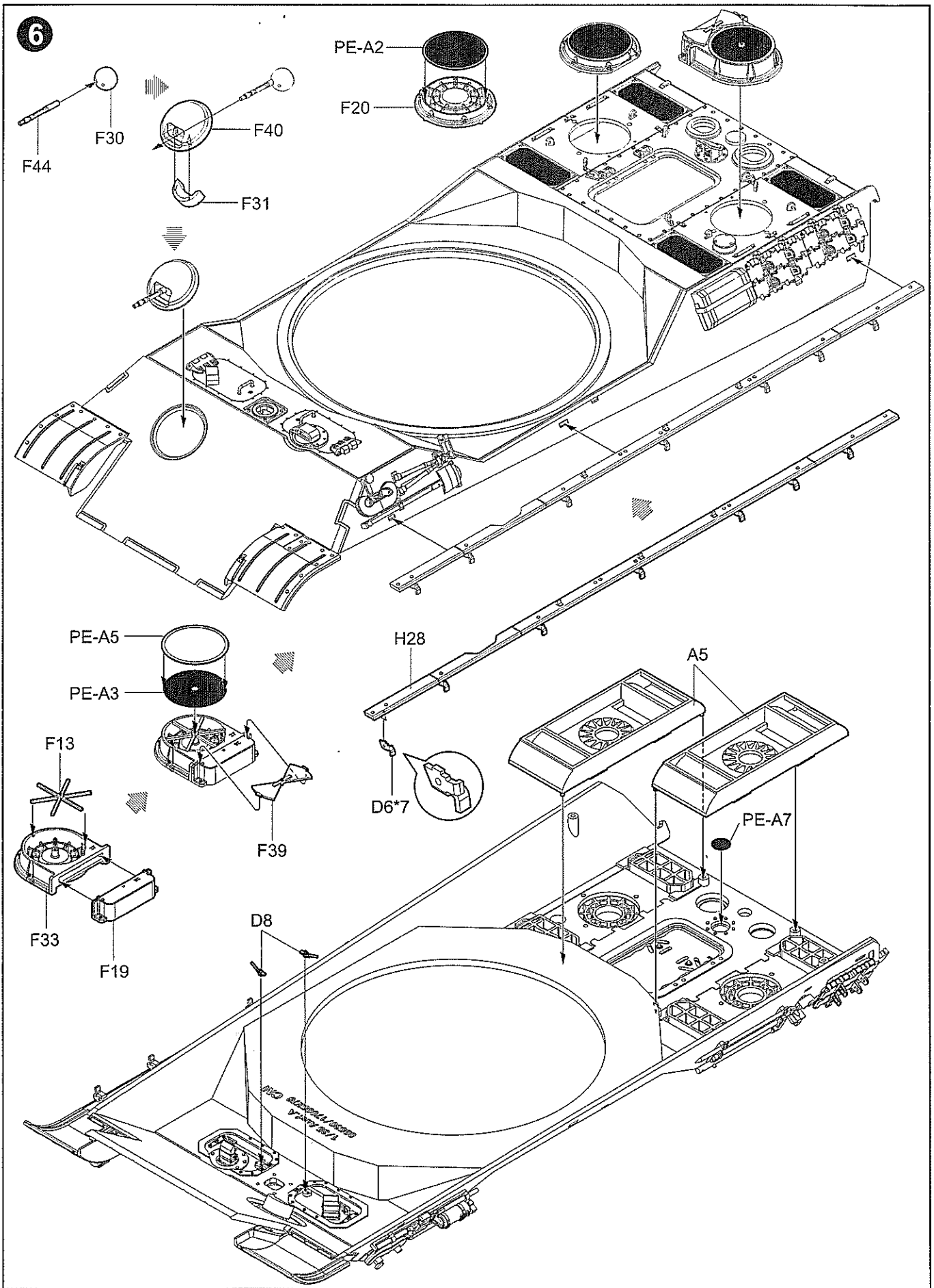
4



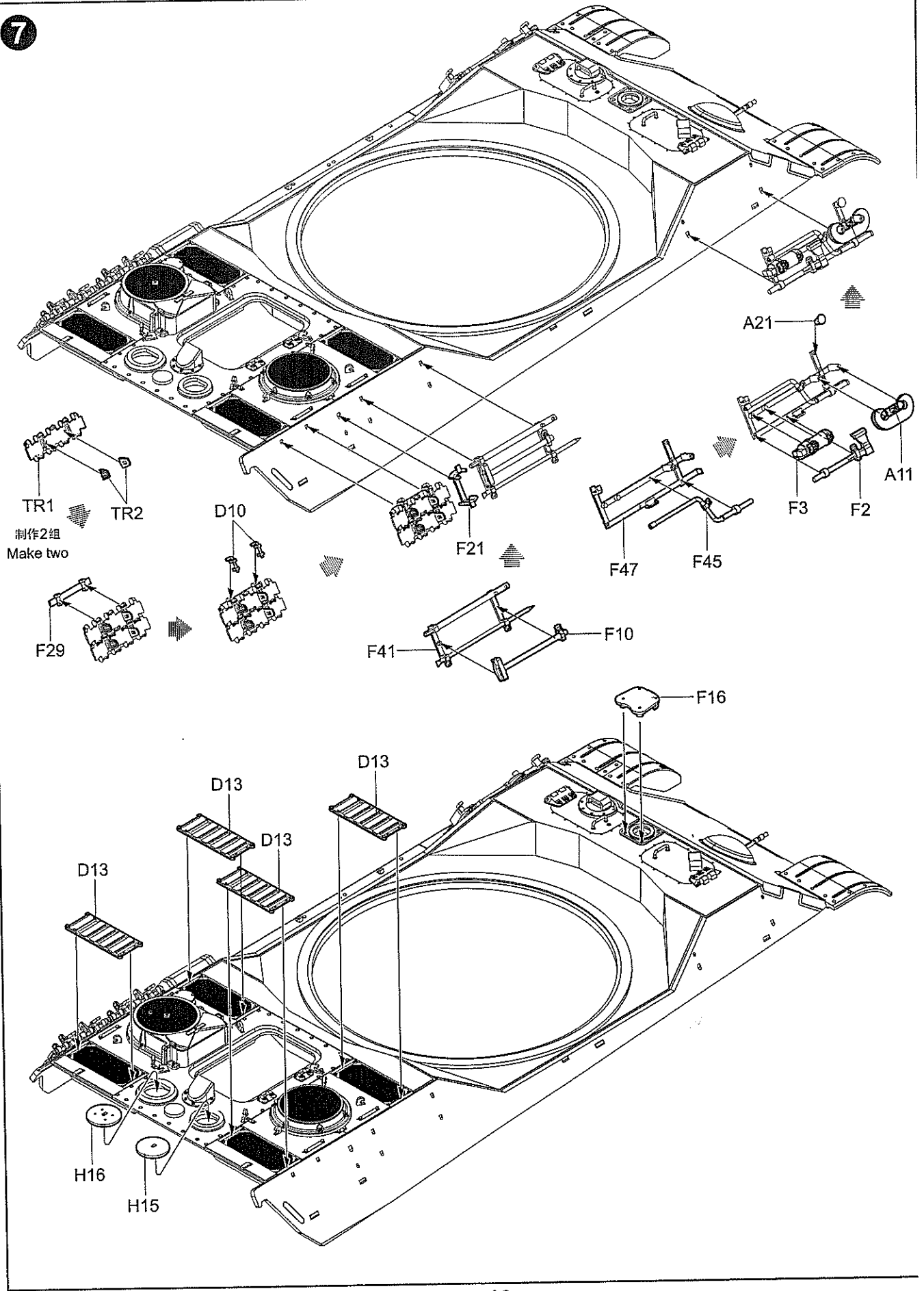
5

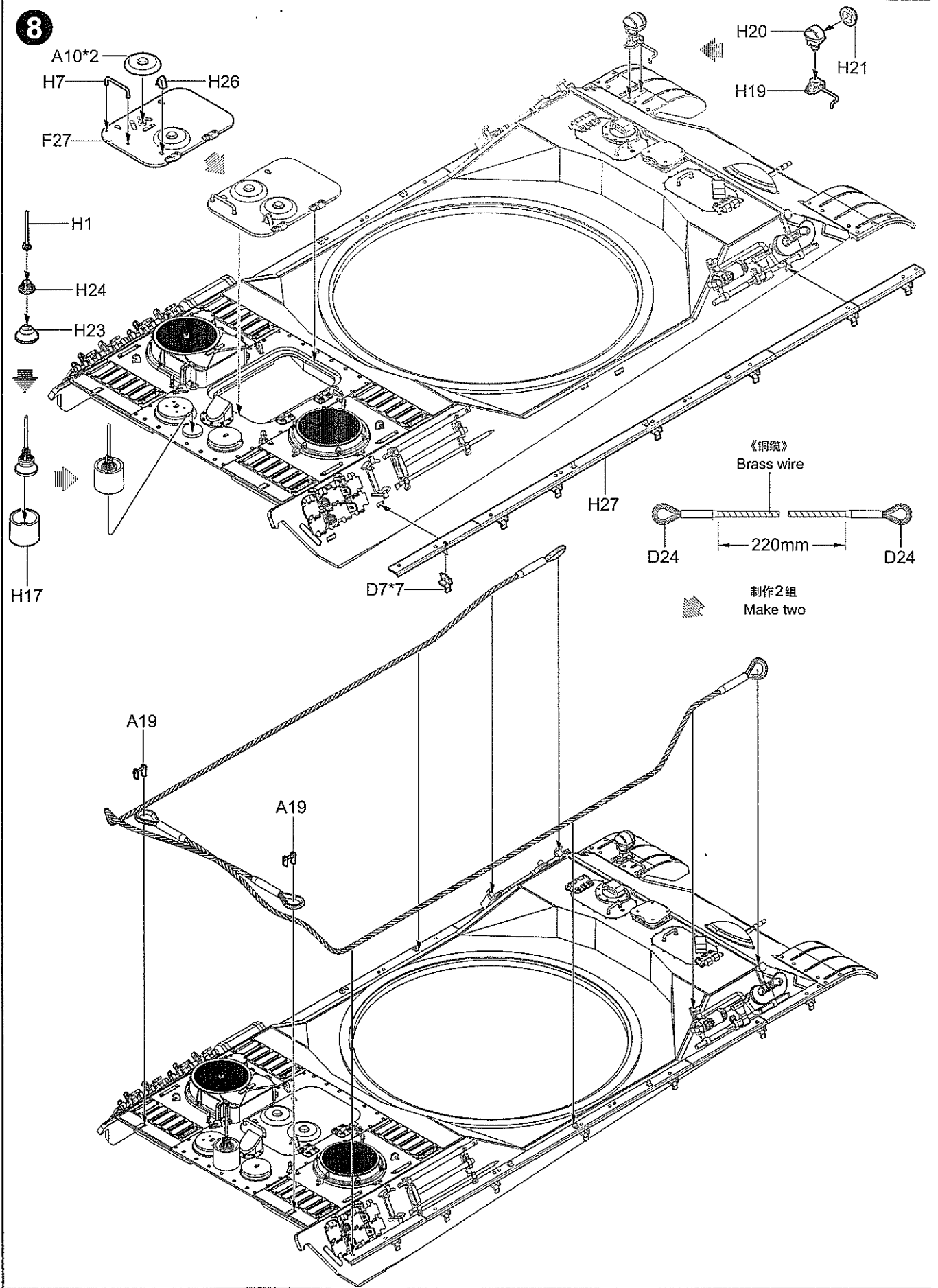


09532

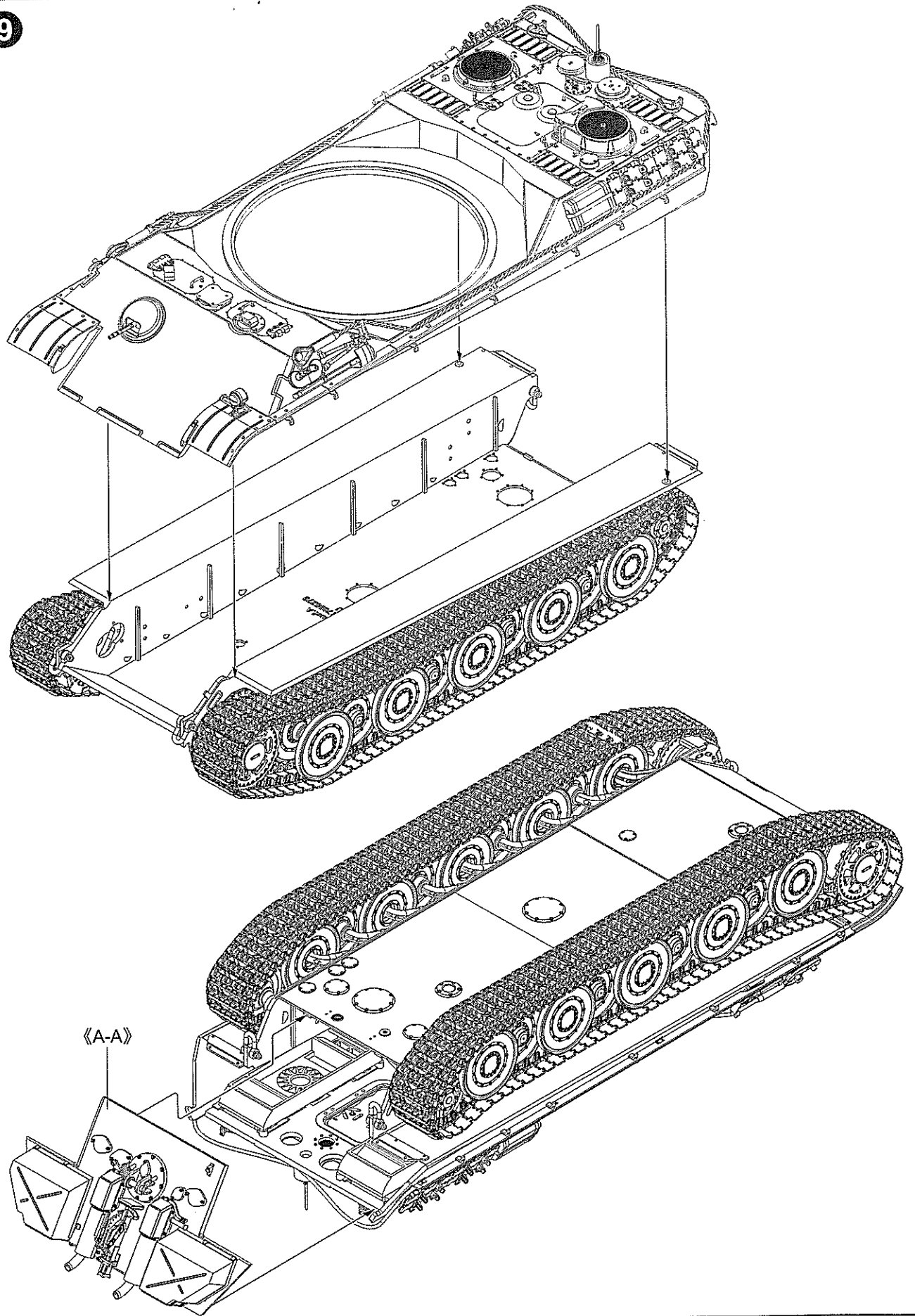


7





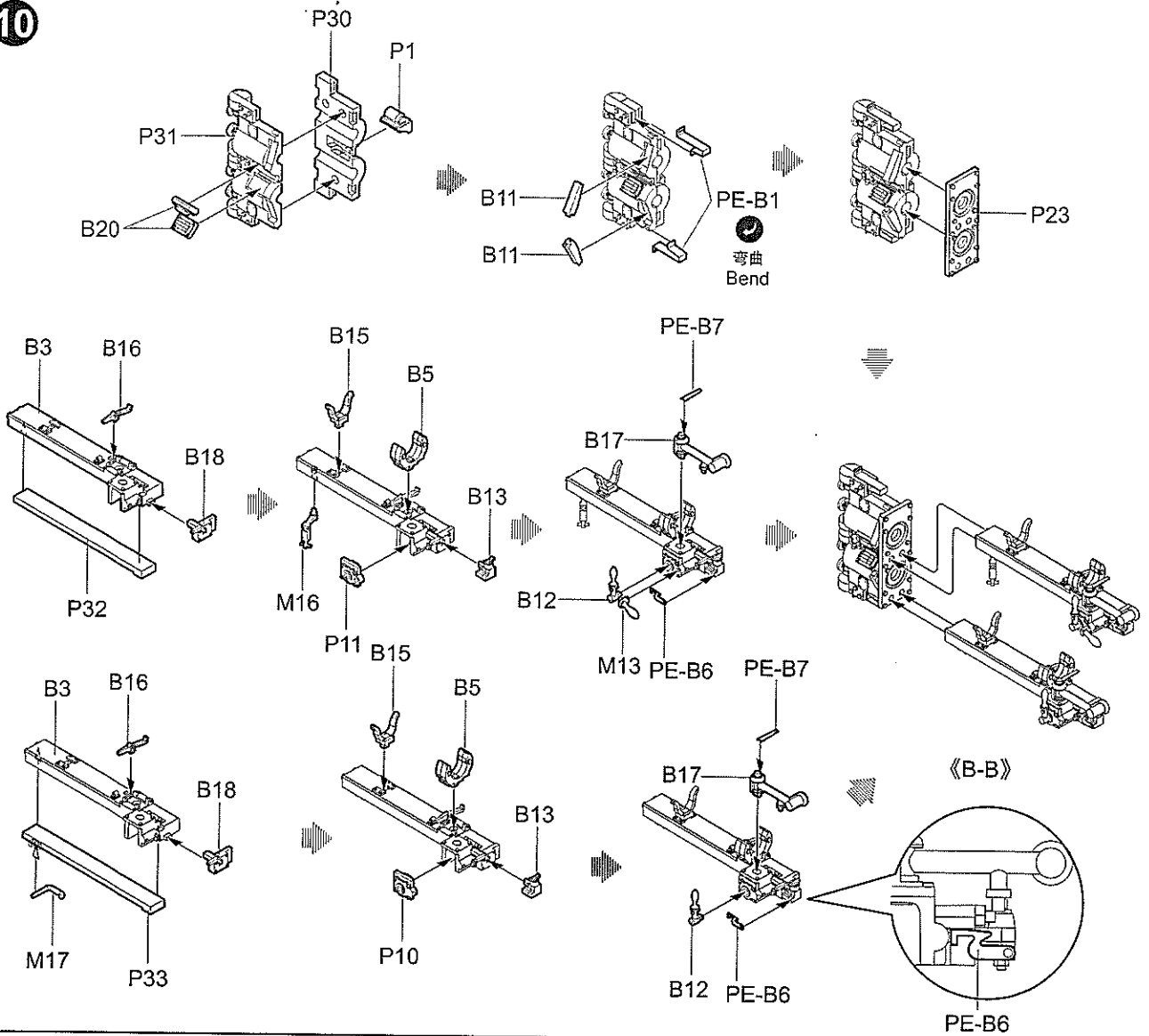
9



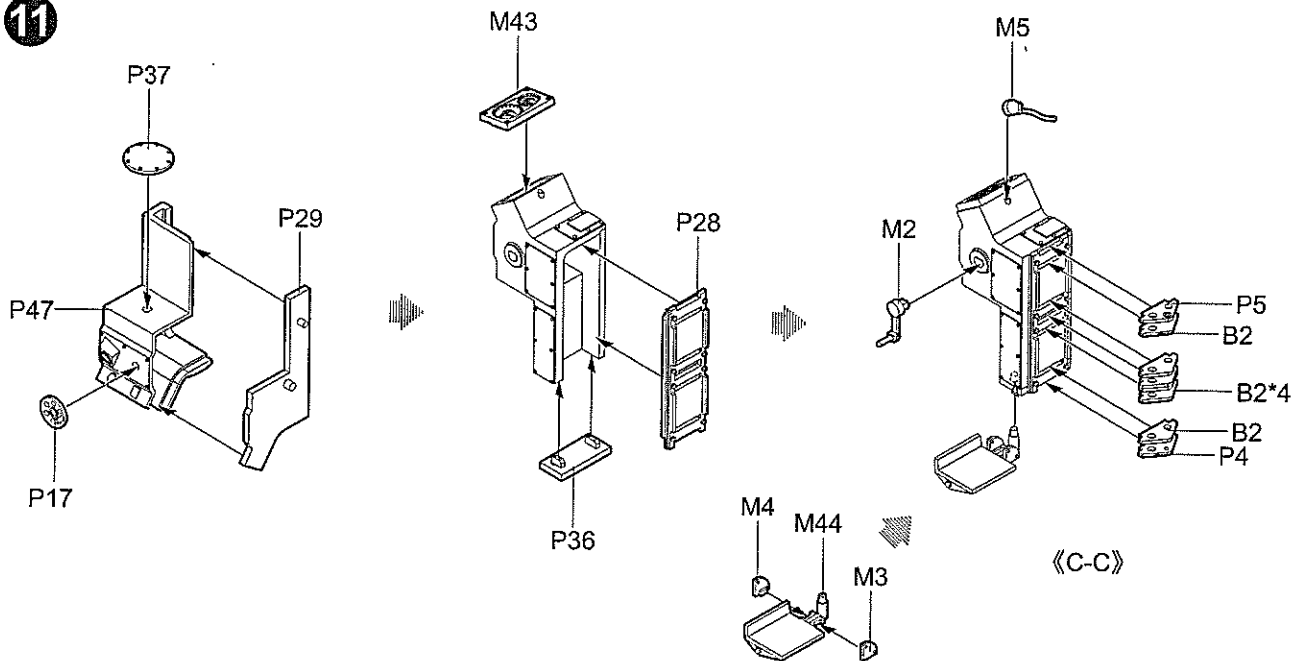
09532

12

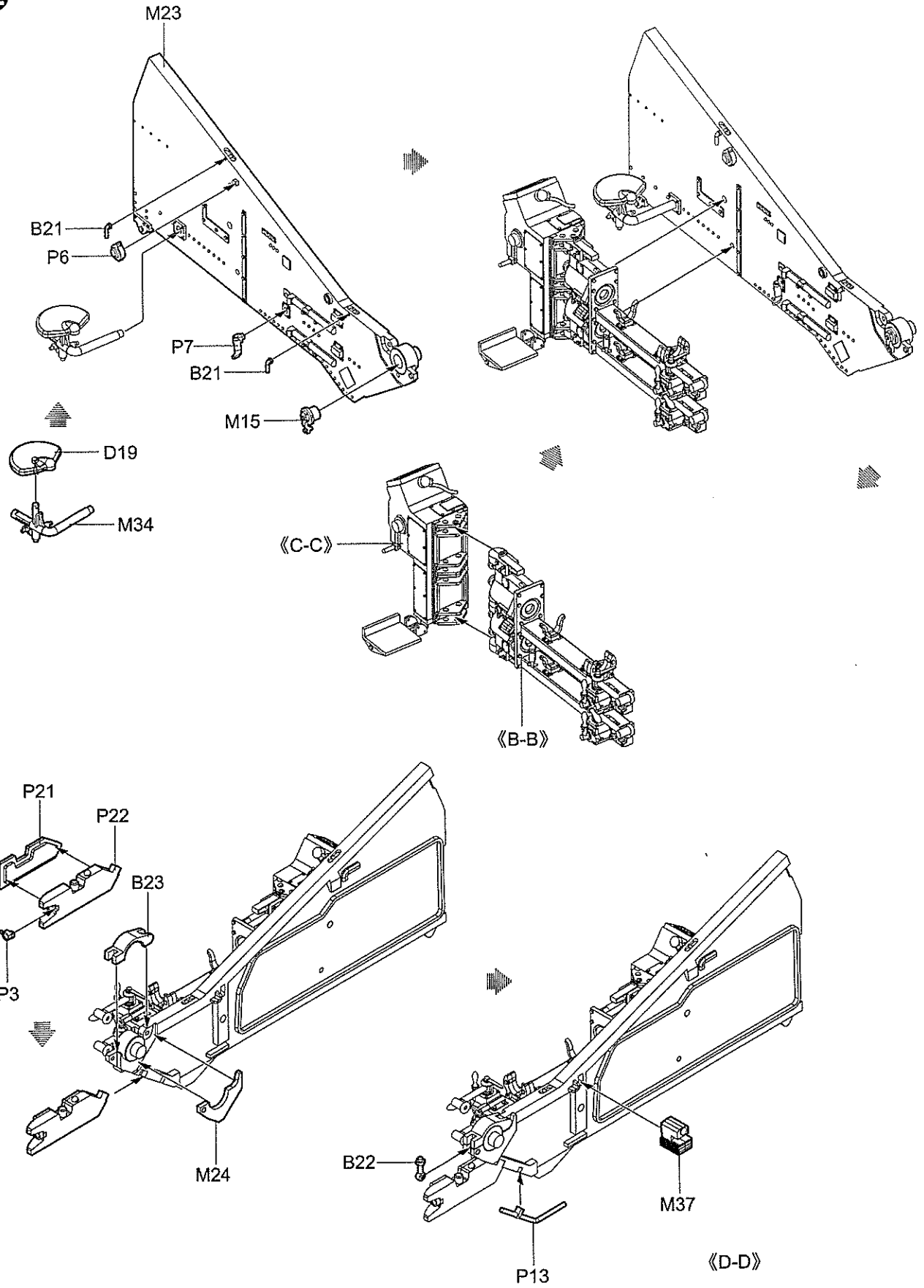
10



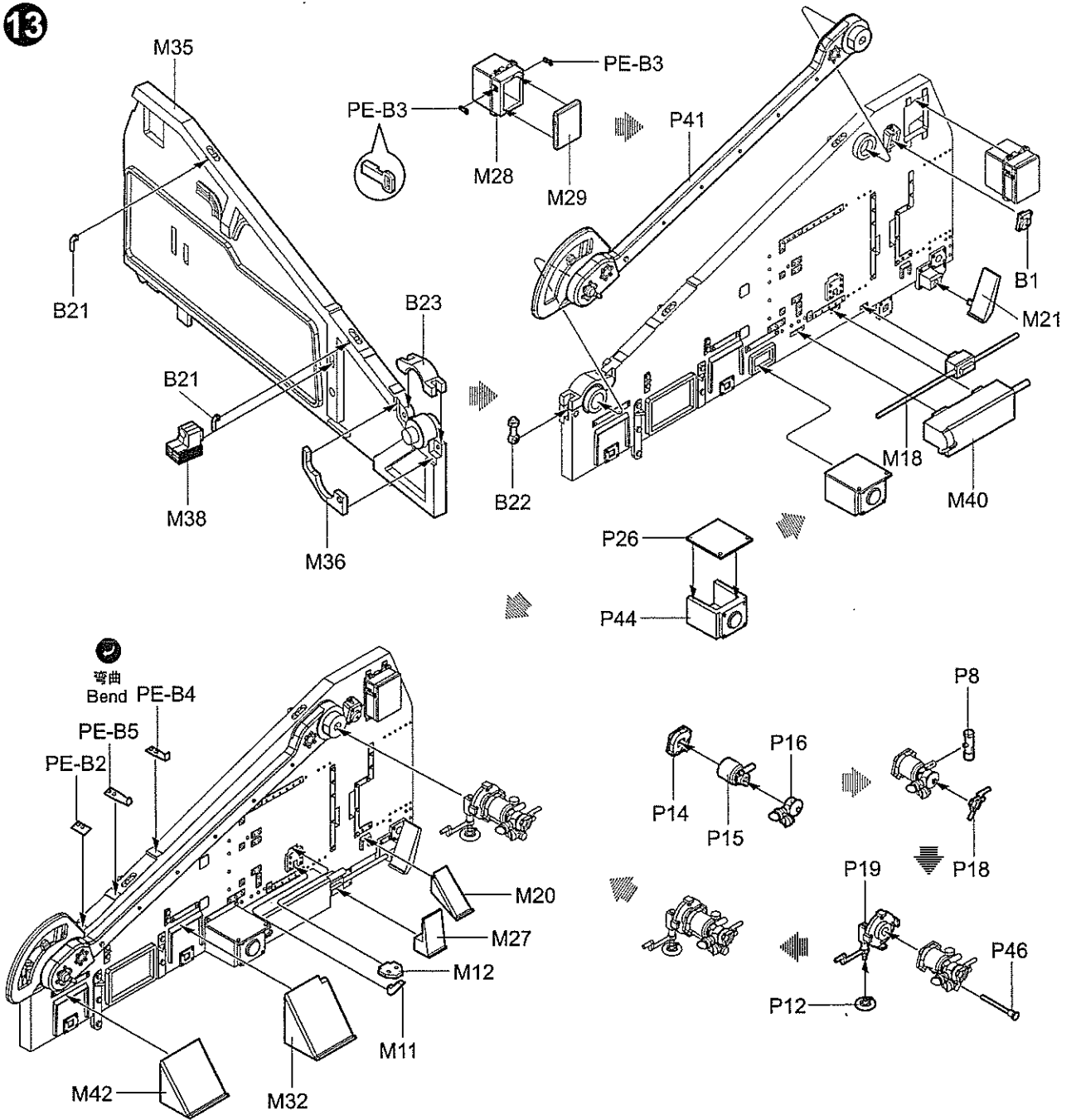
11



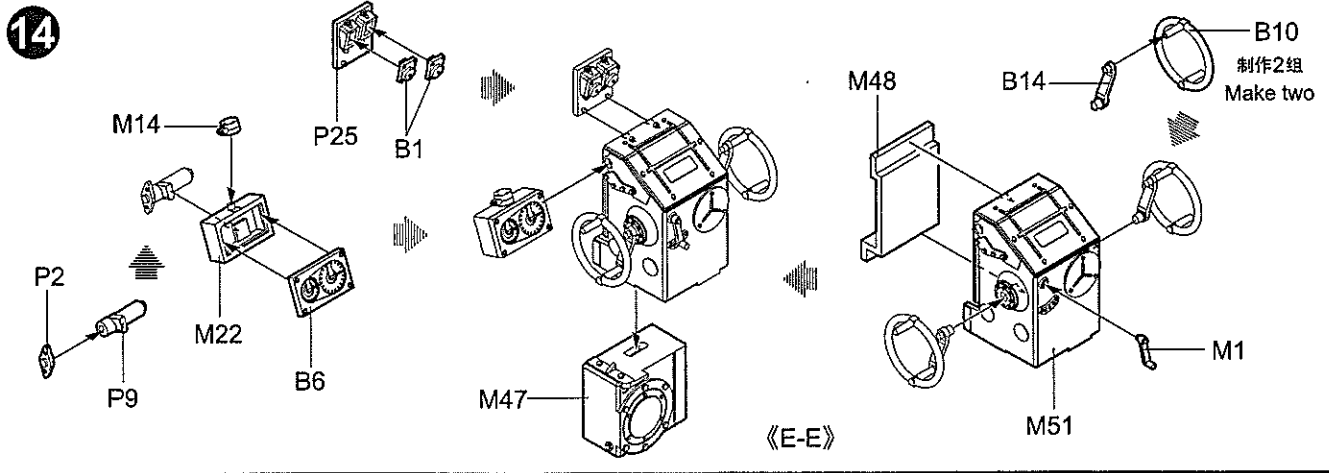
12



13

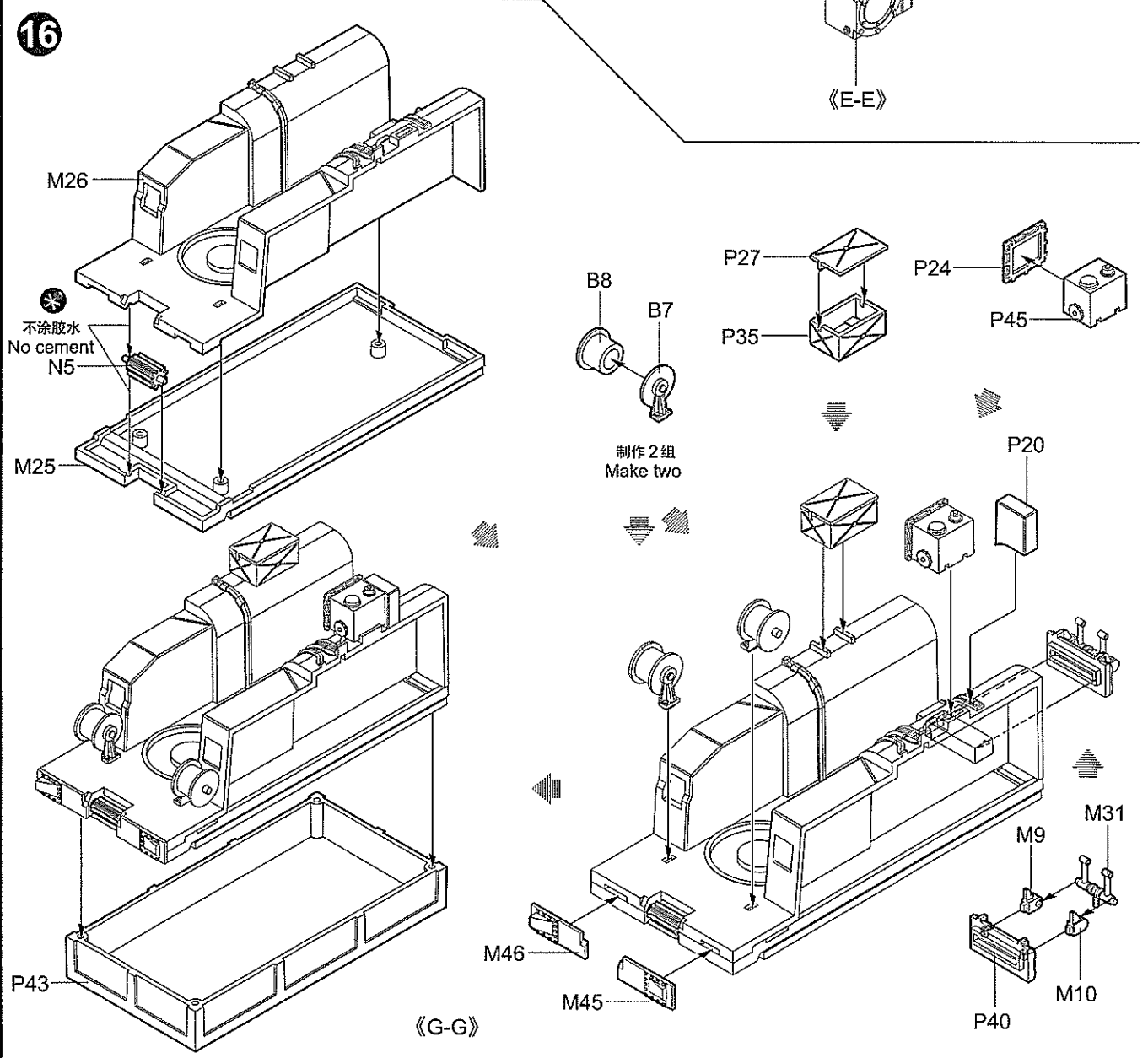
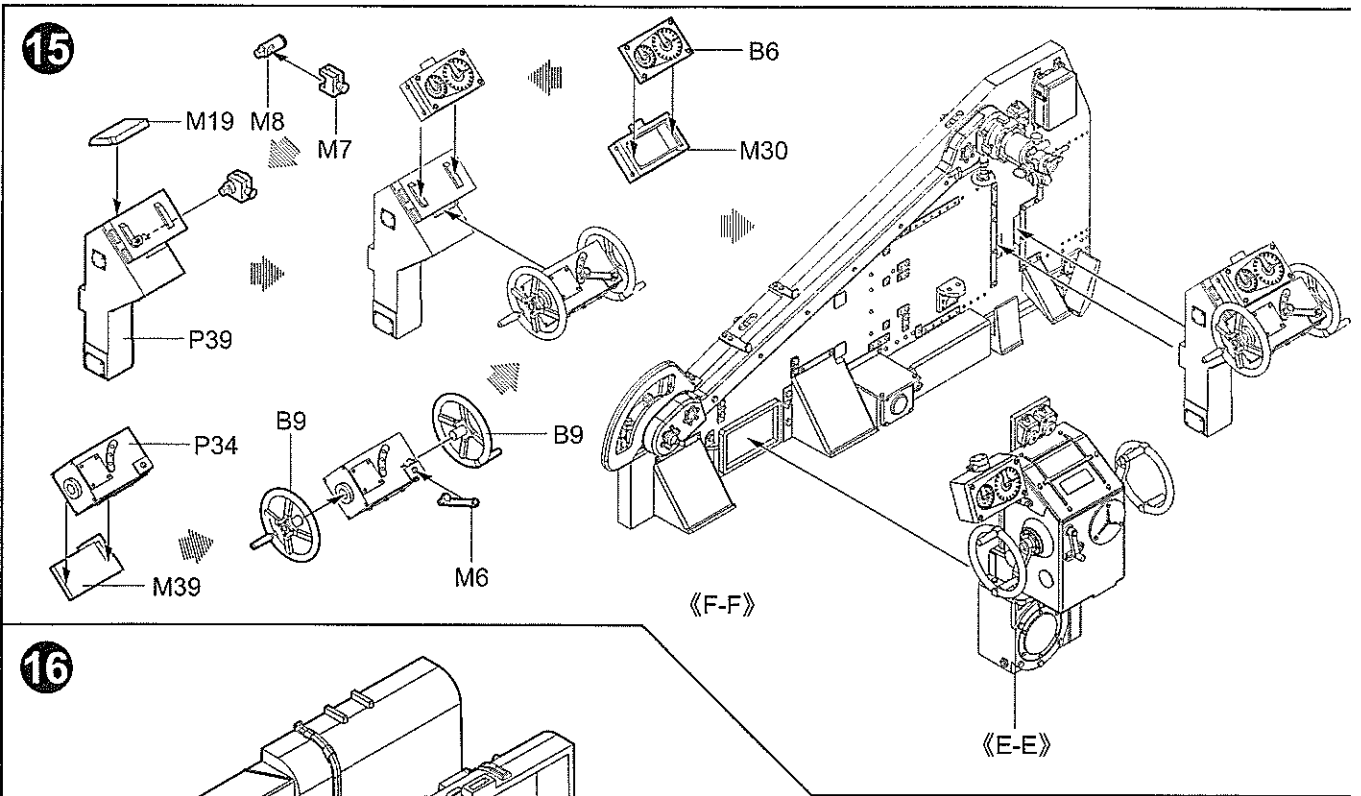


14



09532

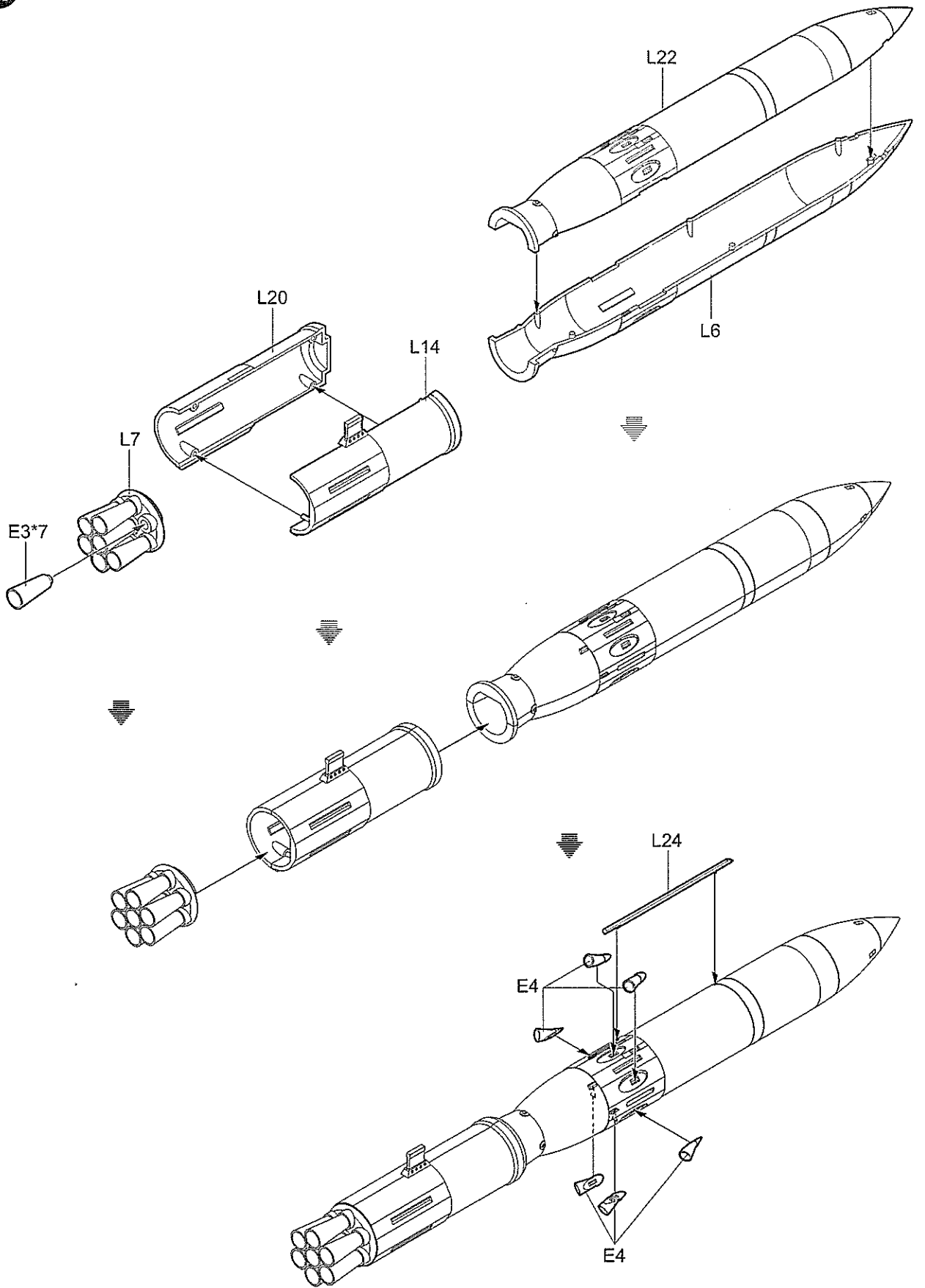
15

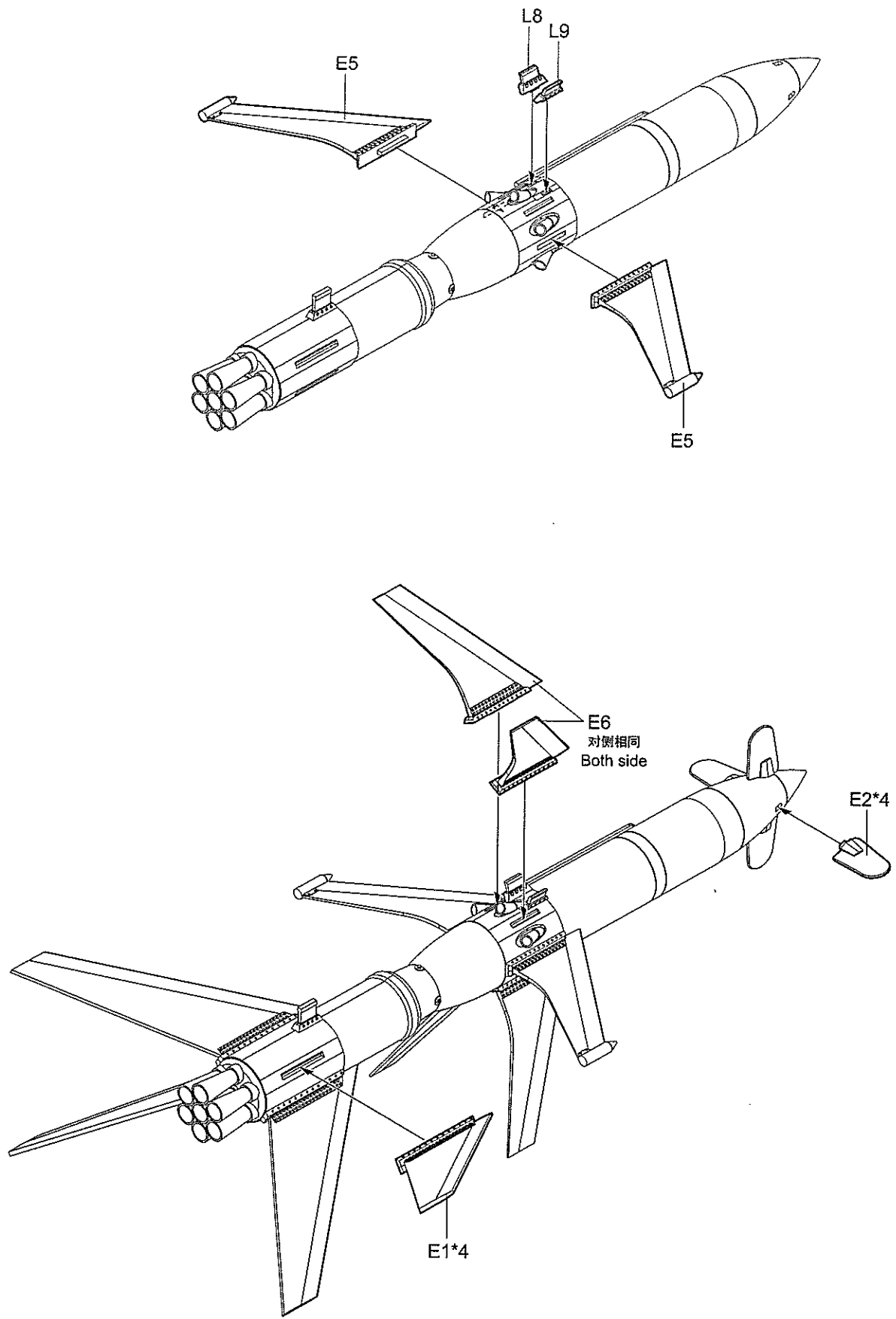


09532

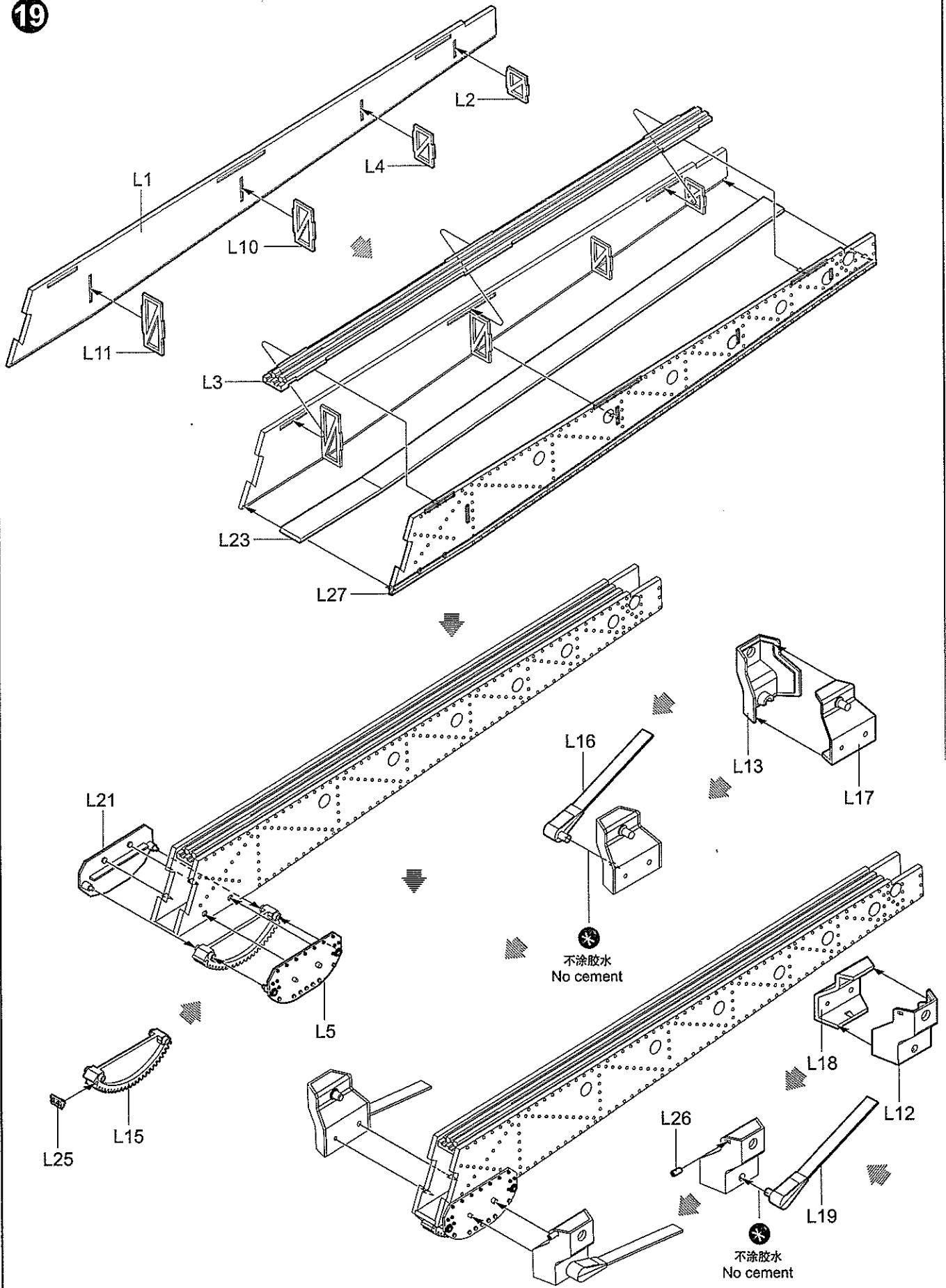
16

17



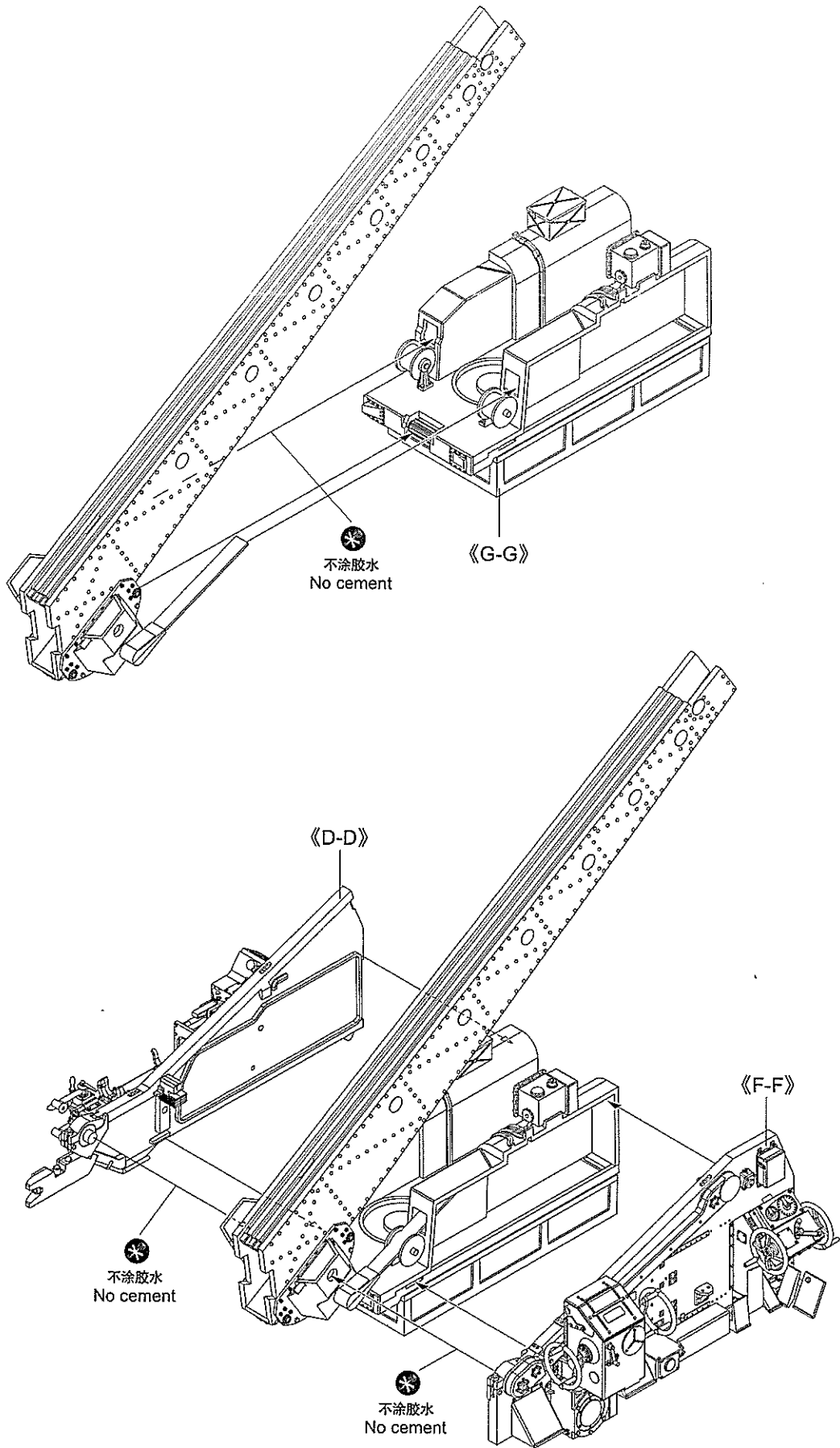


19

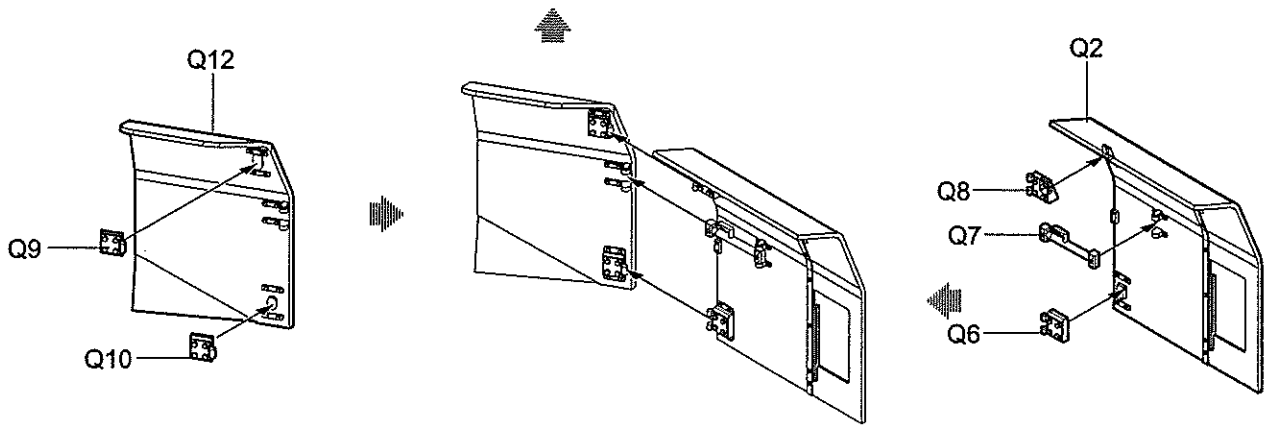
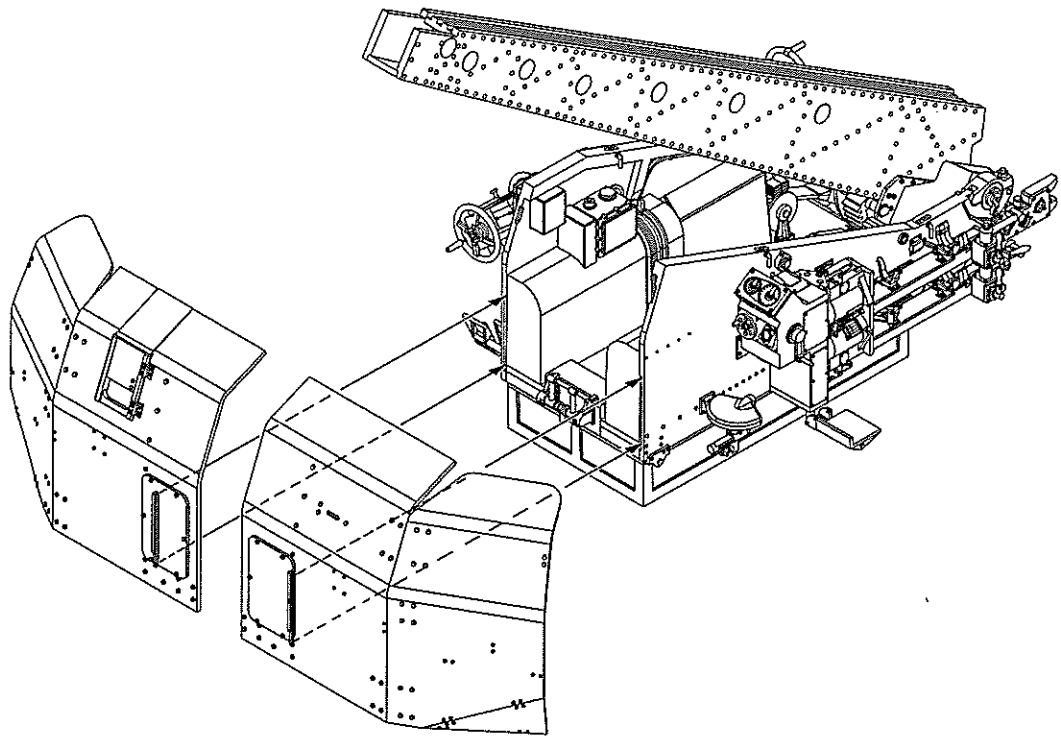
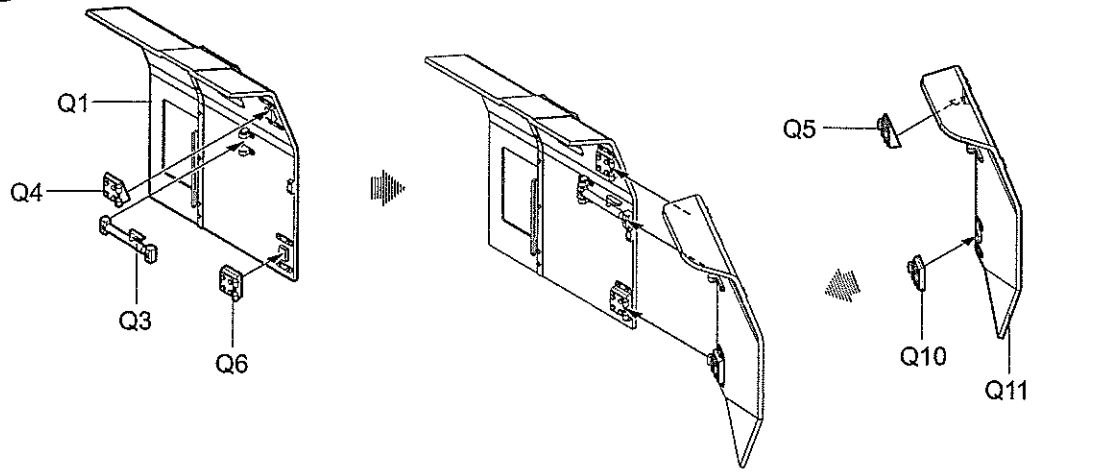


09532

19

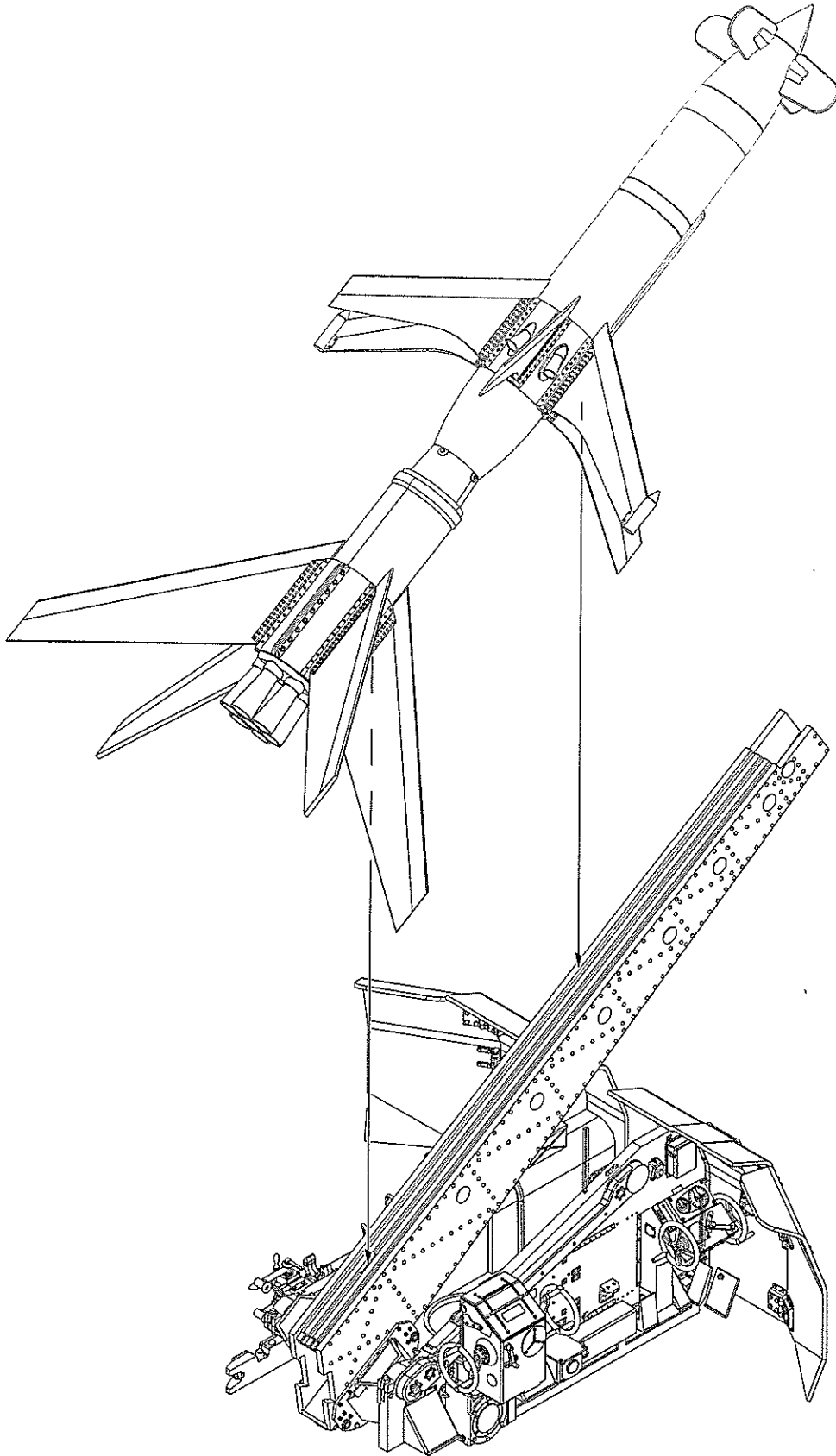


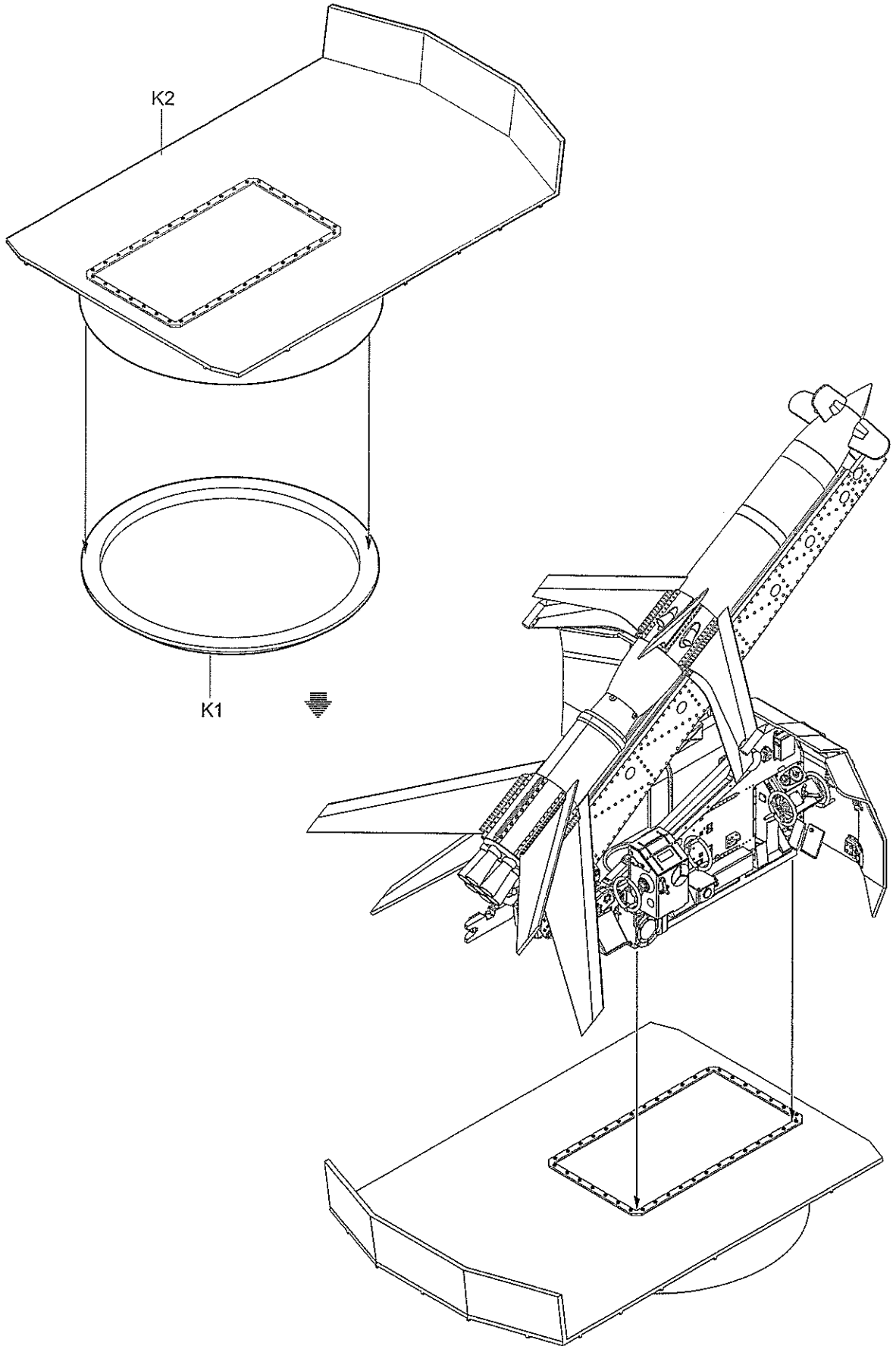
21

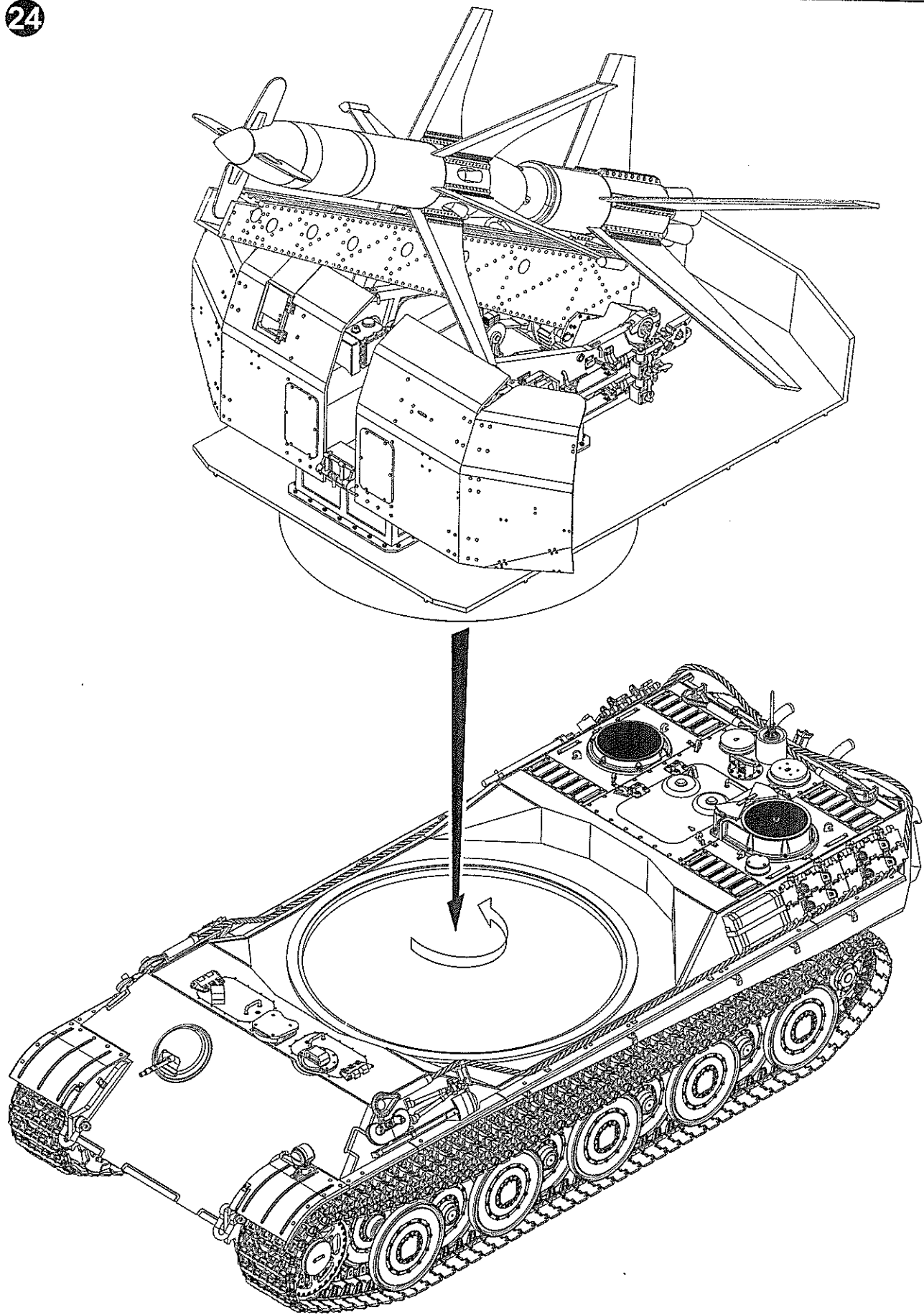


09532

21



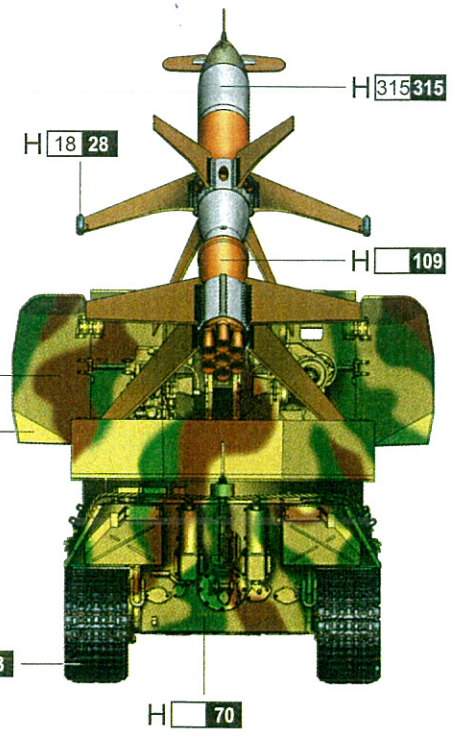
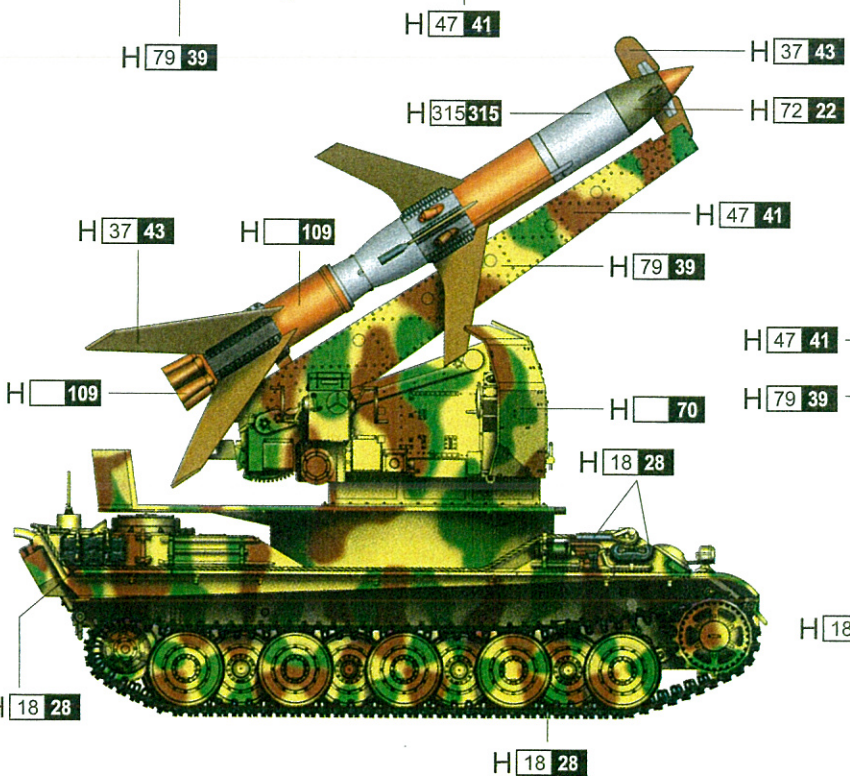
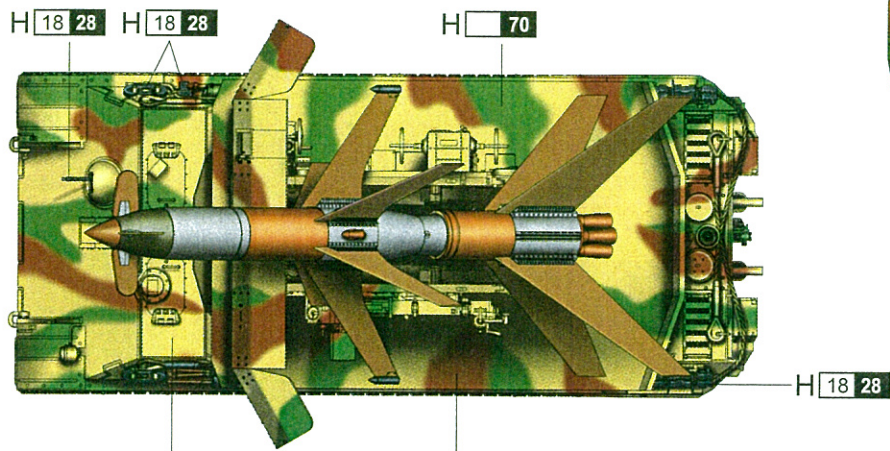
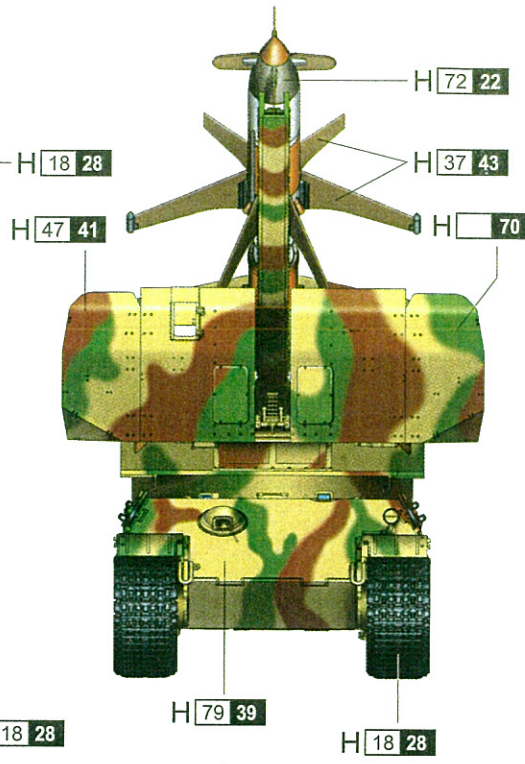
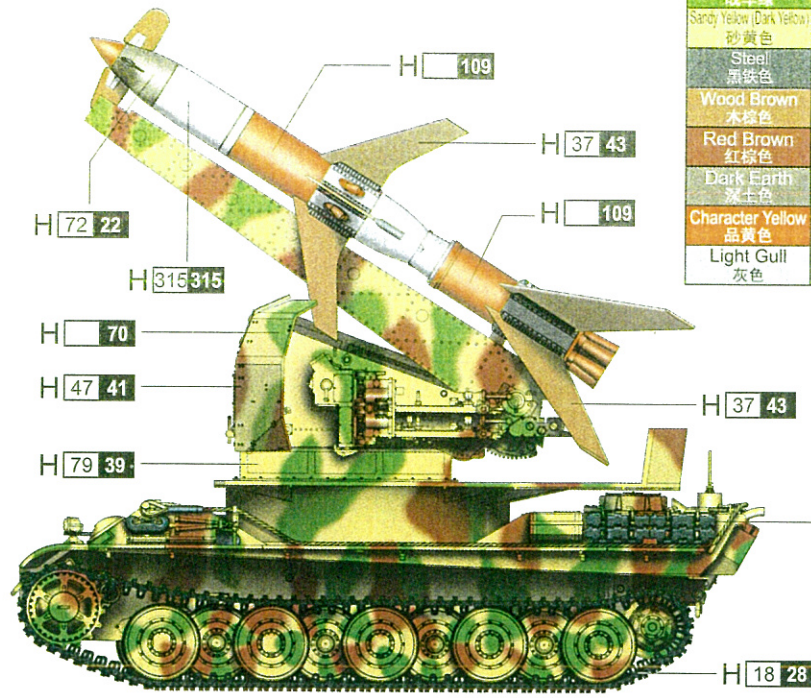




涂装同标贴指示 Painting & Marking guide

PAINT REFERENCE COLOR

| Color | Mr.Hobby | Acrycion | Vallejo | Model Master | Tamiya | Humbrol |
|-----------------------------------|-----------|----------|---------|--------------|--------|---------|
| Dark Green 战车绿 | H 70 | N | - | - | - | - |
| Sandy Yellow (Dark Yellow) 砂黄色 | H 79 39 | N 79 | 824 | - | XF59 | 93 |
| Steel 黑铁色 | H 18 28 | N 18 | 864 | 1402 | - | - |
| Wood Brown 木棕色 | H 37 43 | N 37 | 983 | 1701 | - | 186 |
| Red Brown 红棕色 | H 47 41 | N 47 | 984 | - | XF64 | 160 |
| Dark Earth 深土色 | H 72 22 | N 72 | 873 | 1702 | XF52 | 29 |
| Character Yellow 品黄色 | H 109 | N | - | - | - | - |
| Light Gull 灰色 | H 315 315 | N 315 | 843 | 1730 | - | 129 |



H AQUEOUS HOBBY COLOR Mr. COLOR
N ACRYSION COLOR