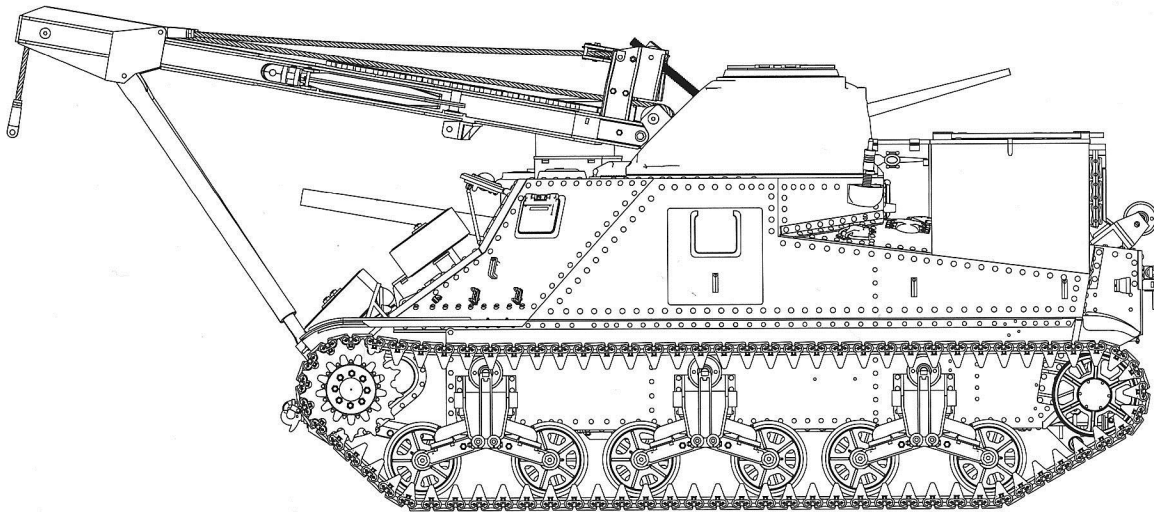


# M31

## US TANK RECOVERY VEHICLE



The Outbreak of WWII in Europe caused the U.S. Army to recognize it was lacking an effective tank force. Design of the Medium Tank M3 commenced in July 1940, with production beginning in December, and the first units became operational in late 1941. Experiments were carried out on specialized conversions, one of which was the T16 prime mover, which was chosen as the basis for testing a tank recovery vehicle by Baldwin Locomotive Works in 1942. These tests ultimately lead to the T2, with some 805 units being converted by December 1943. These vehicles became known as the M31 Tank Recovery Vehicle, the first vehicle of its type to be standardized in the U.S. Army.

The M31 was based on the Medium Tank M3. To keep up the appearances of a combat tank, the sponson-mounted 75mm gun was replaced by a hinged entry door fitted with a dummy gun tube, and the 37mm gun in the turret was replaced with a crane. The turret was rotated to the rear when not in use, and a dummy 37mm tube was attached to the turret rear. The turret machine gun cupola was replaced with the British hatch arrangement used on the Grant. The crane could lift 10,000lbs (4500kg) without the supporting boom jacks extended, 12,000lbs (5400kg) with the jacks attached to the hull front, or 30,000lbs (14,000kg) with the support legs on the ground. A 60,000lb (27,000kg) capacity Gar Wood winch was installed inside the fighting compartment, with the cable spooled out of the turret and over the crane boom or out the rear of the TRV. Tool boxes were also installed on the rear sponsons and above the dummy 75mm gun.

# READ BEFORE ASSEMBLY

## CAUTION

- Read carefully and fully understand the instructions before commencing assembly. A supervising adult should also read the instructions if a child assembles the model.
- When assembling this kit, tools including knives used. Extra care should be taken to avoid personal injury.
- Keep out of reach of small children. Children must not be allowed to suck any part, or pull vinyl bag over their heads.



Do Not Cement



Remove



Optional



Be Careful



Drill



Instant Glue  
for Metal



Heating

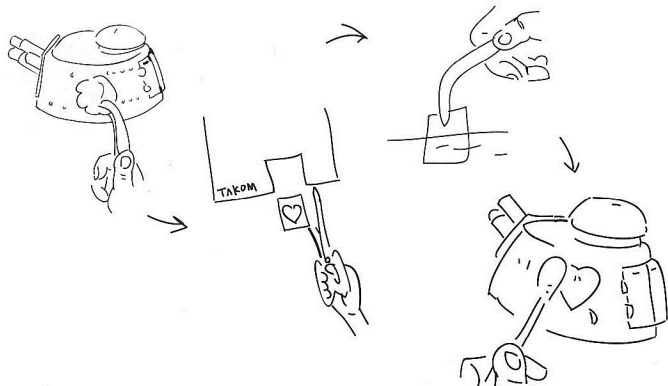
## PAINTS REQUIRED

Color info and profiles by Mig Jimenez

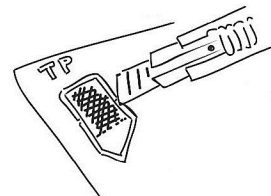
AMIG 033	Rubber & Tires	AMIG 035	Dark Tracks	AMIG 037	Tan	AMIG 045	Gun Metal
AMIG 046	Metal Black	AMIG 093	Crystal Red	AMIG 094	Crystal Glass	AMIG 195	Silver
AMIG 926	Olive Drab Base						

## APPLYING DECALS

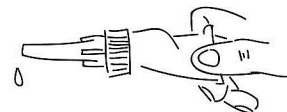
1. Clean the model surface with a wet cloth.
2. Cut out each decal design from sheet, and dip it in tepid water for 15~20 sec.
3. Hold the backing sheet edge and slide decal onto the model.
4. Move decal into position by wetting decal with finger.
5. Press decal gently down with a soft cloth until excess water and air bubbles are gone.



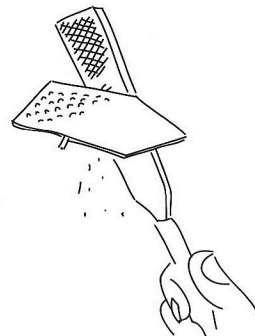
## REMOVING PE



Be careful not to hurt when removing PE parts.

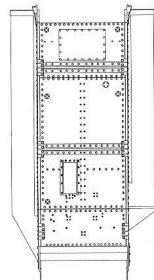
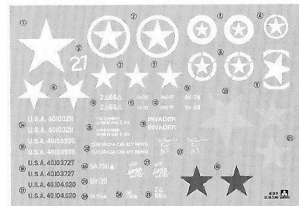
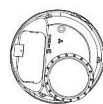
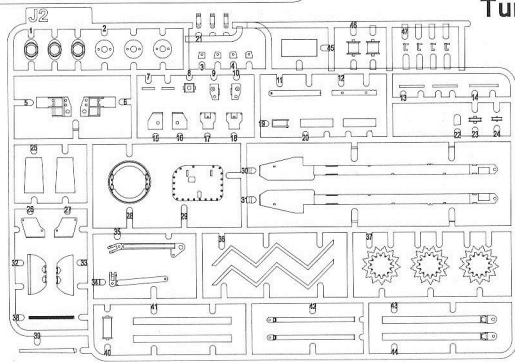
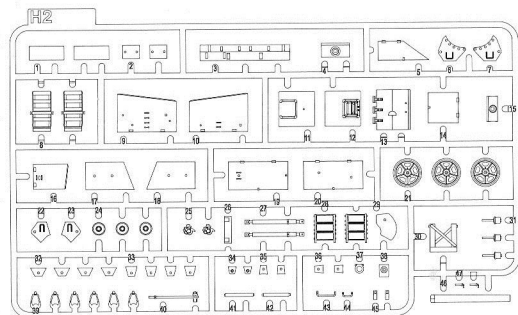
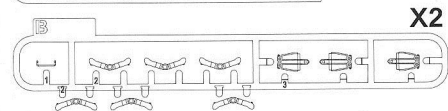
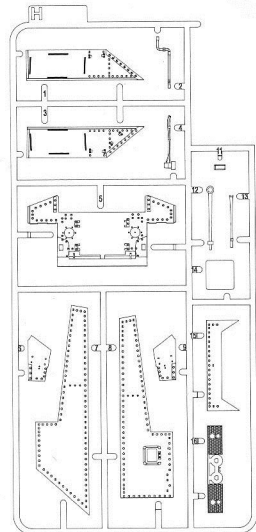
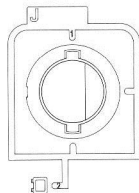
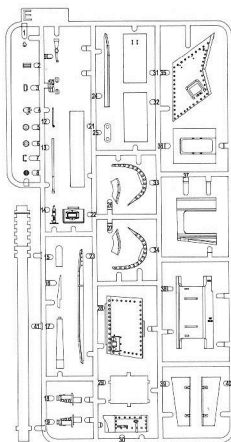
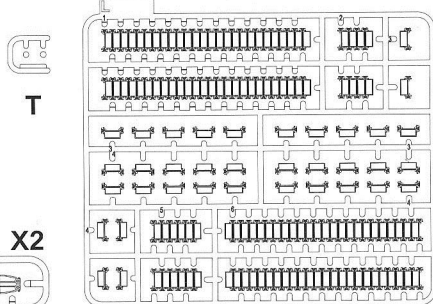
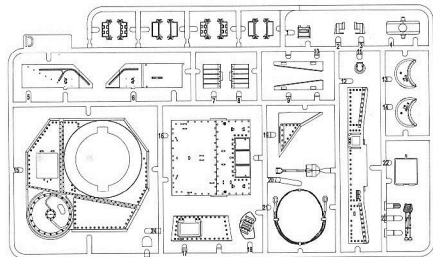
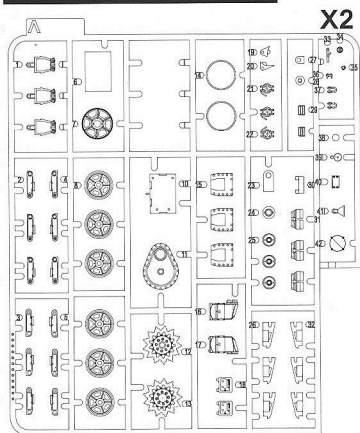


Secure using instant glue (not included).



Finish using file.

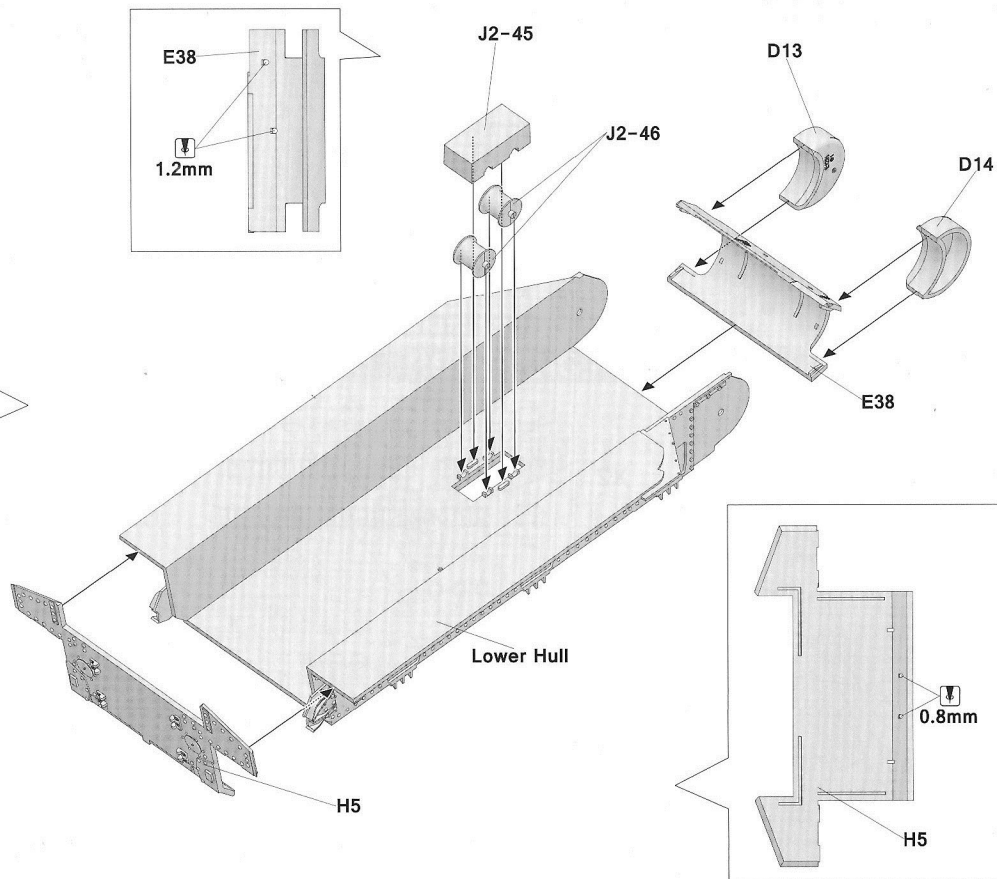
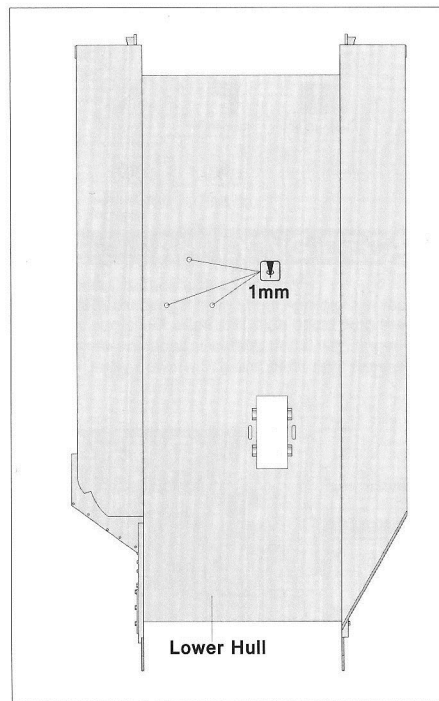
# PARTS



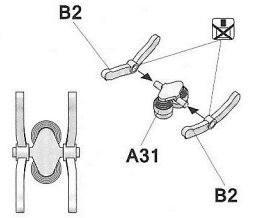
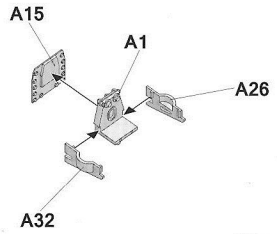
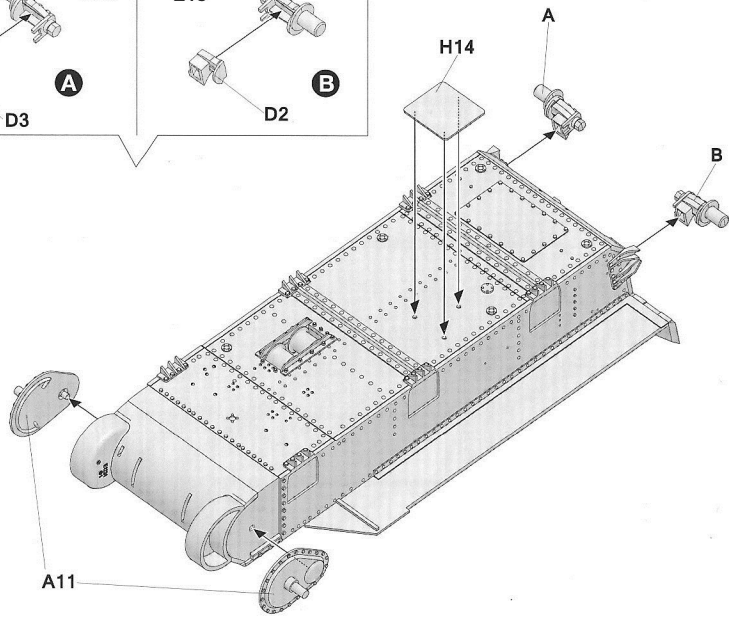
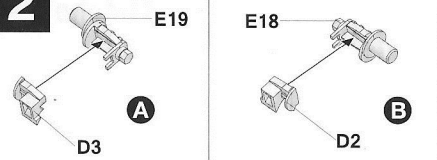
Lower Hull

Decal

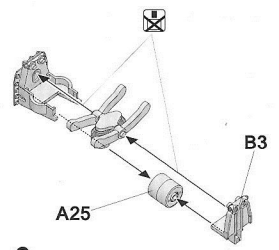
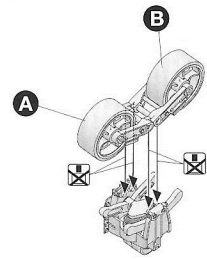
Cable



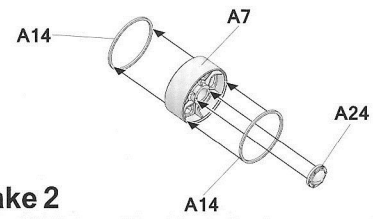
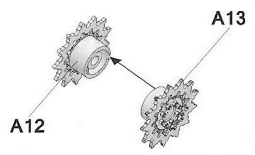
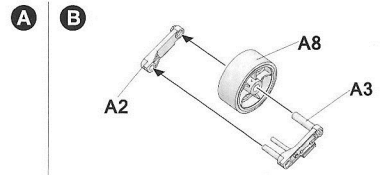
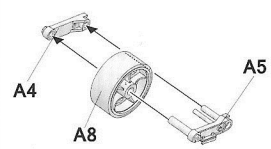
2



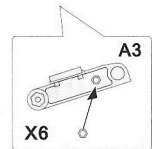
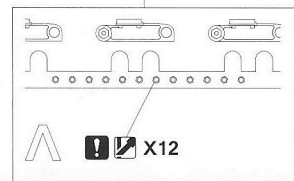
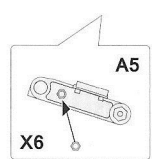
! Make 6



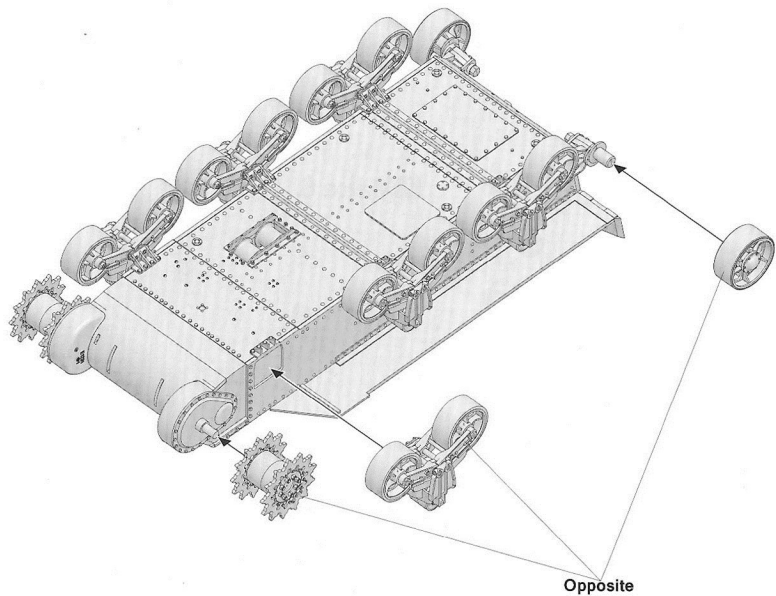
! Make 6



! Make 2

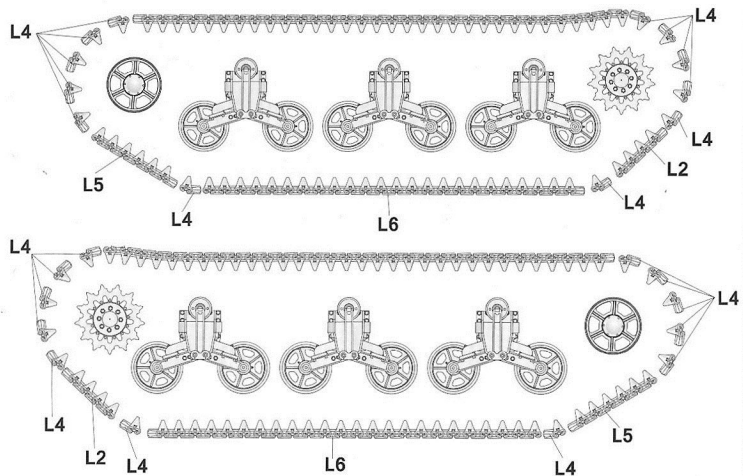
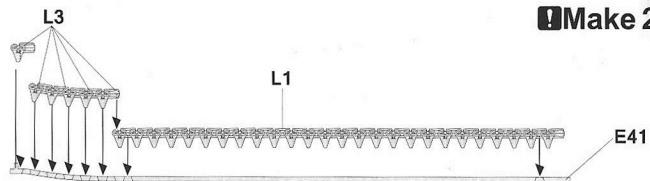


3

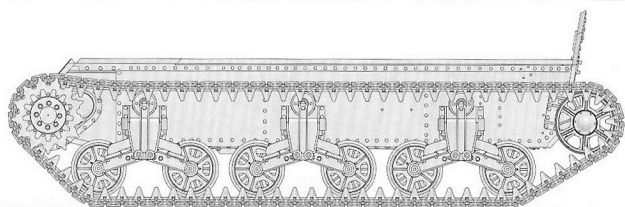
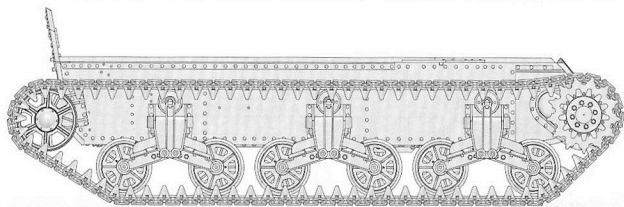


4

Make 2

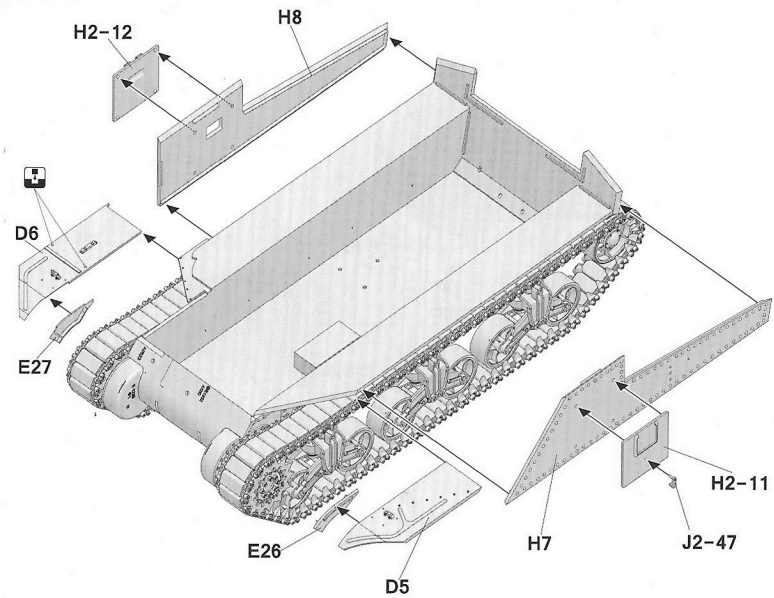


5

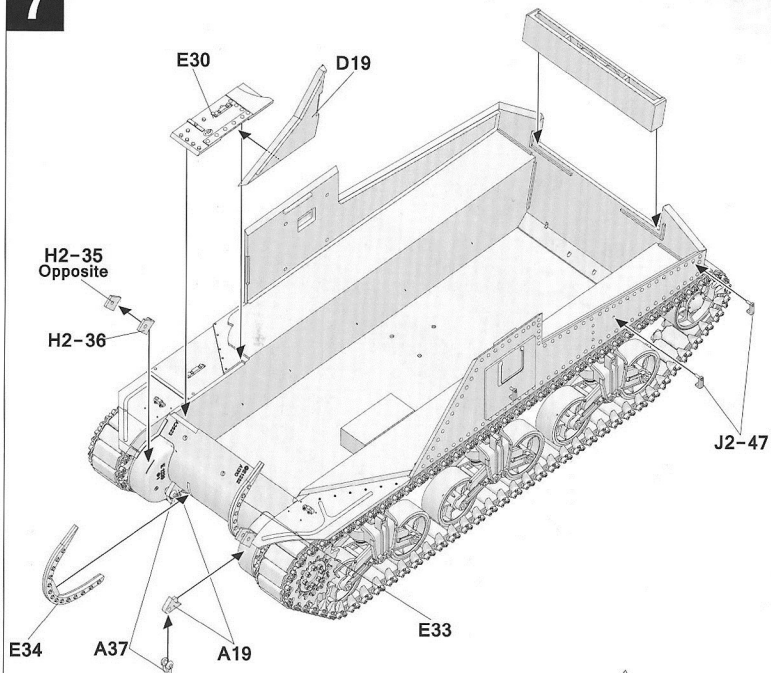


5

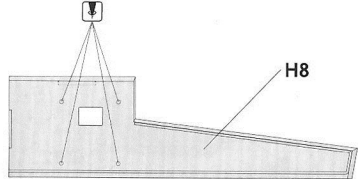
6



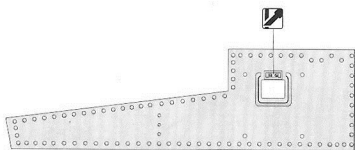
7



1mm



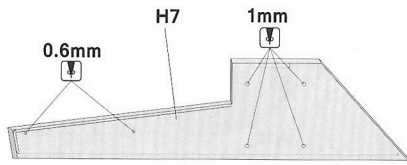
H8



0.6mm

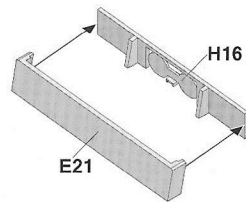
H7

1mm

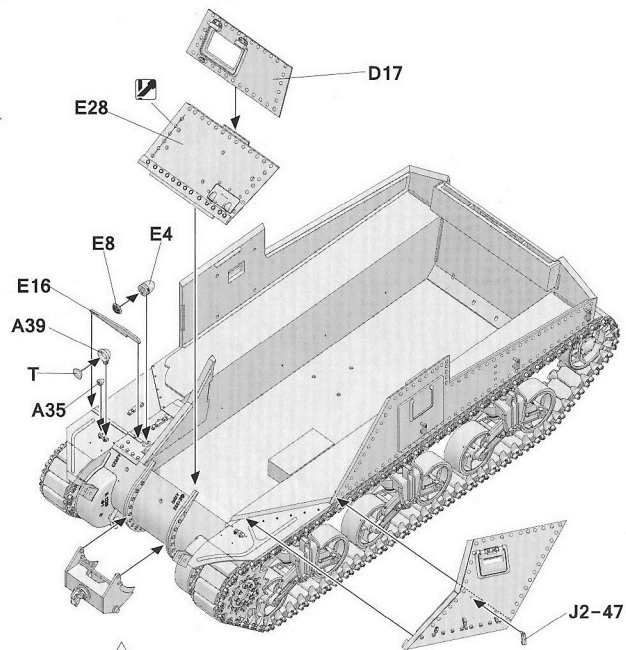


H16

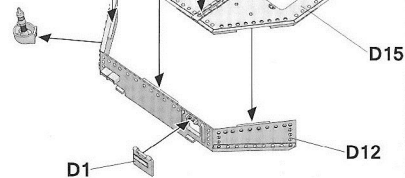
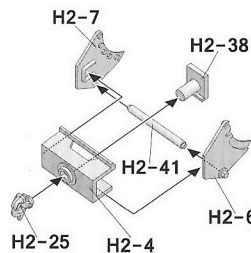
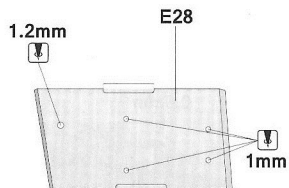
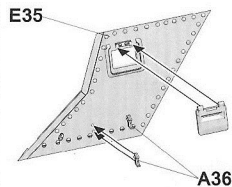
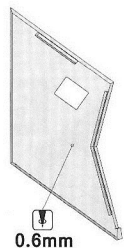
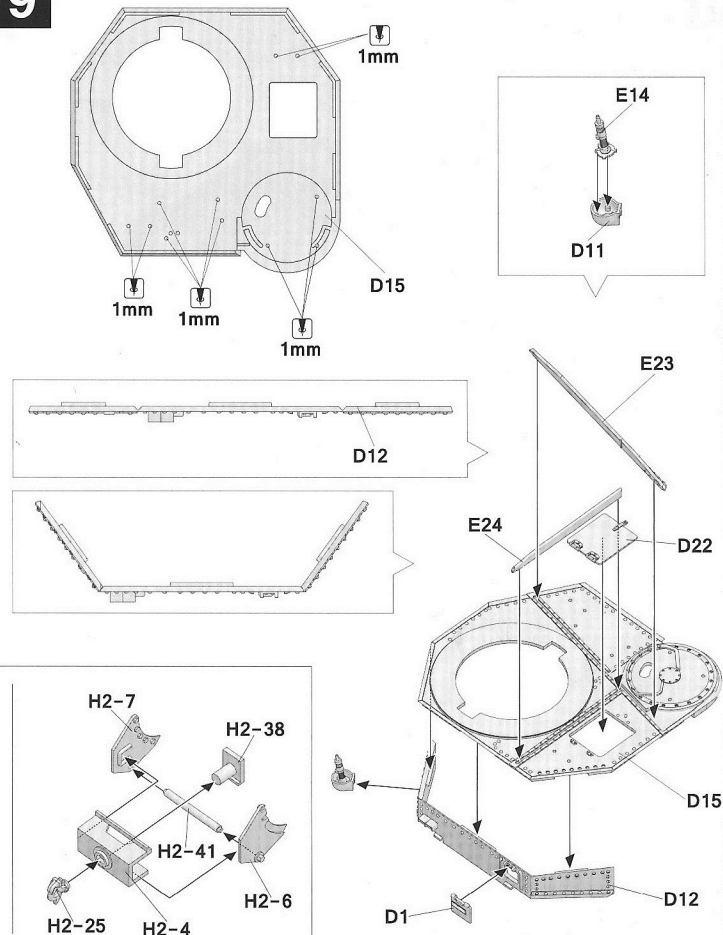
E21



8

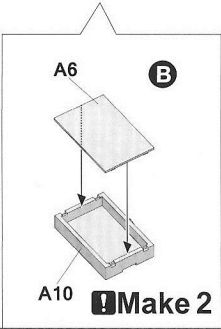
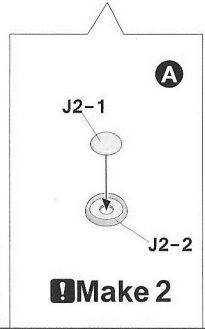
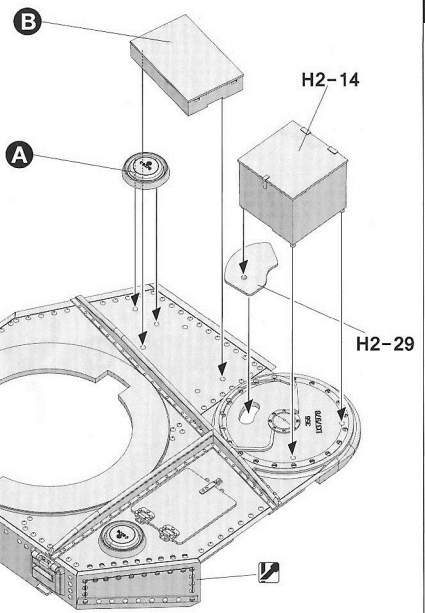


9

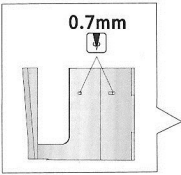
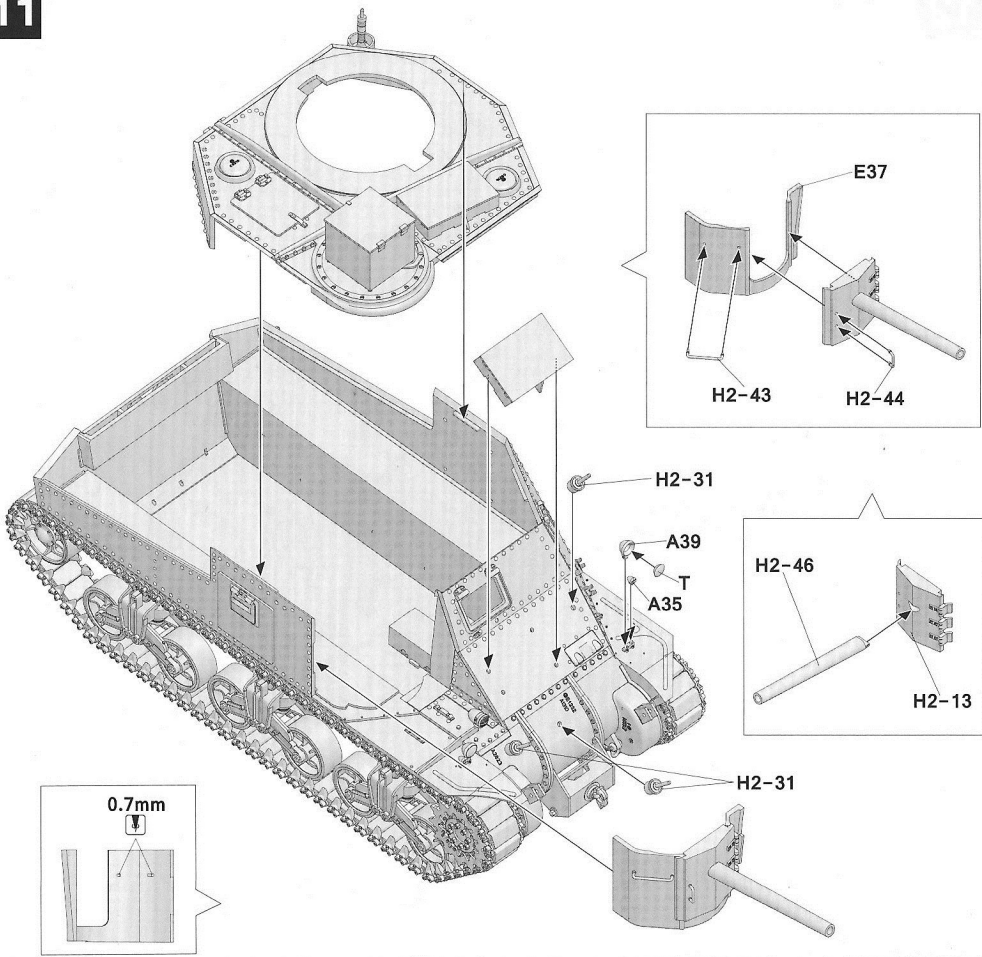


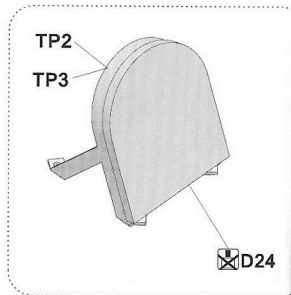
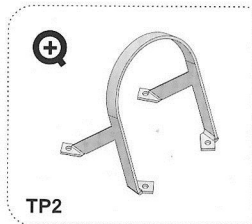
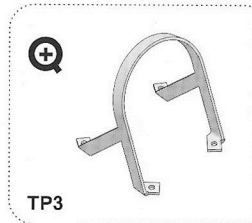
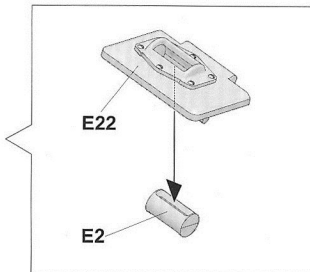
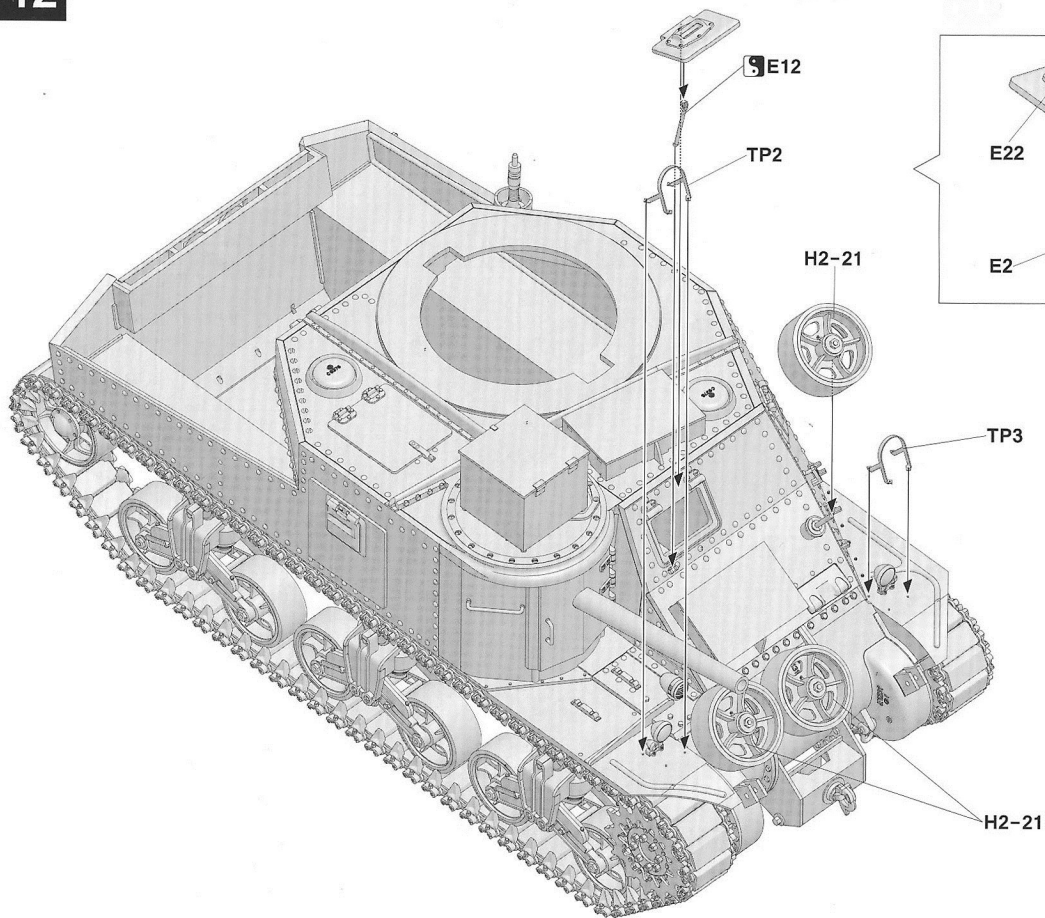


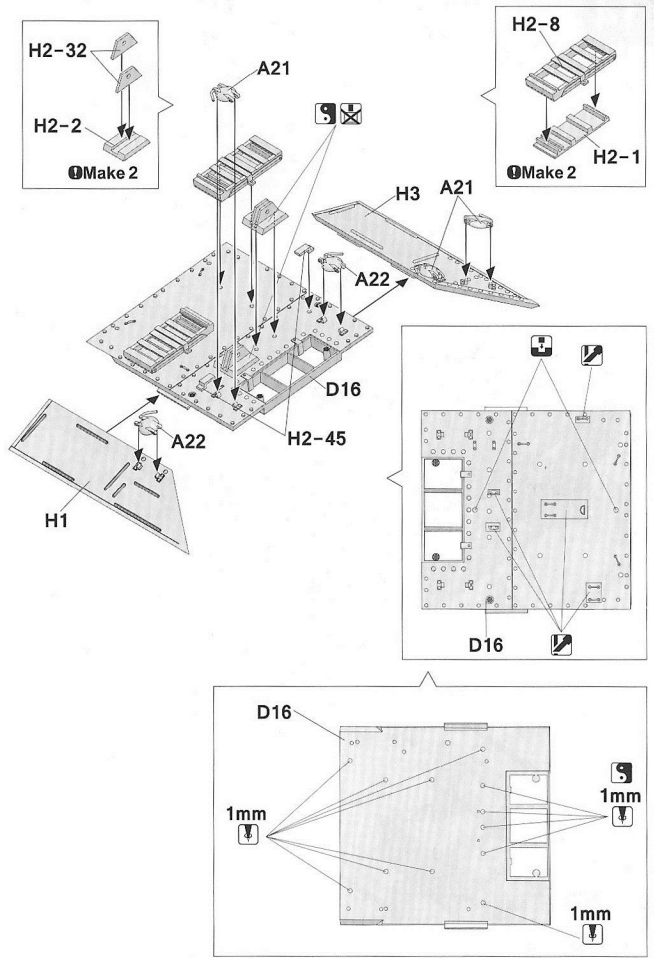
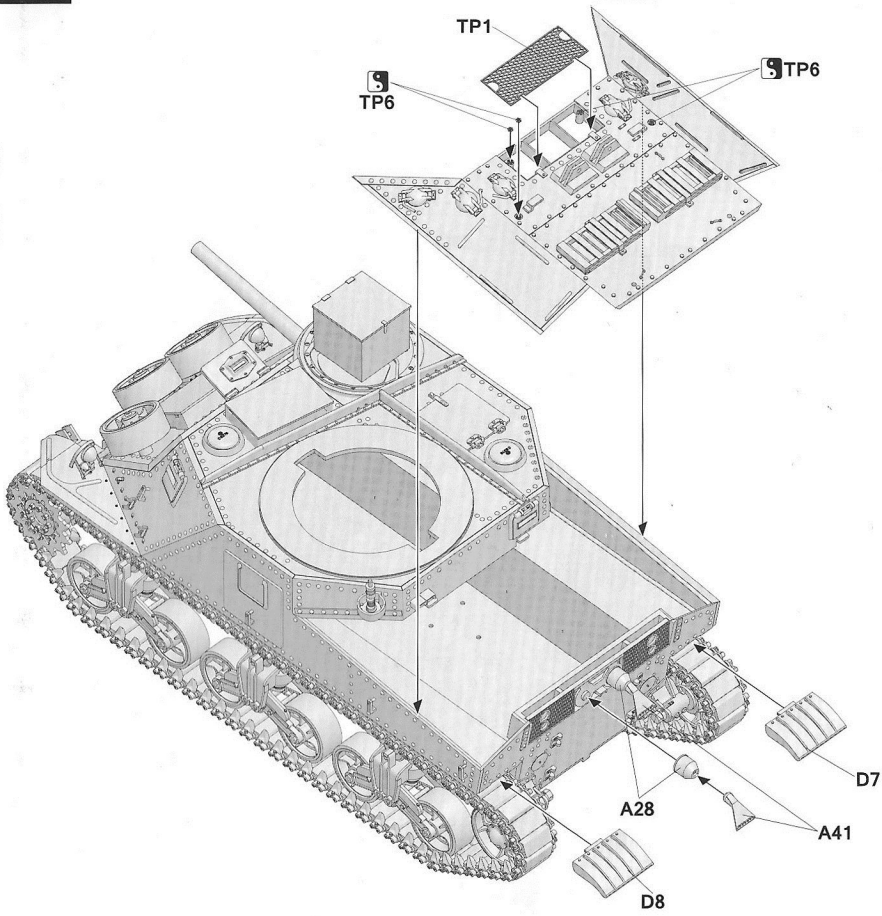
# 10



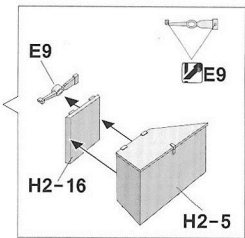
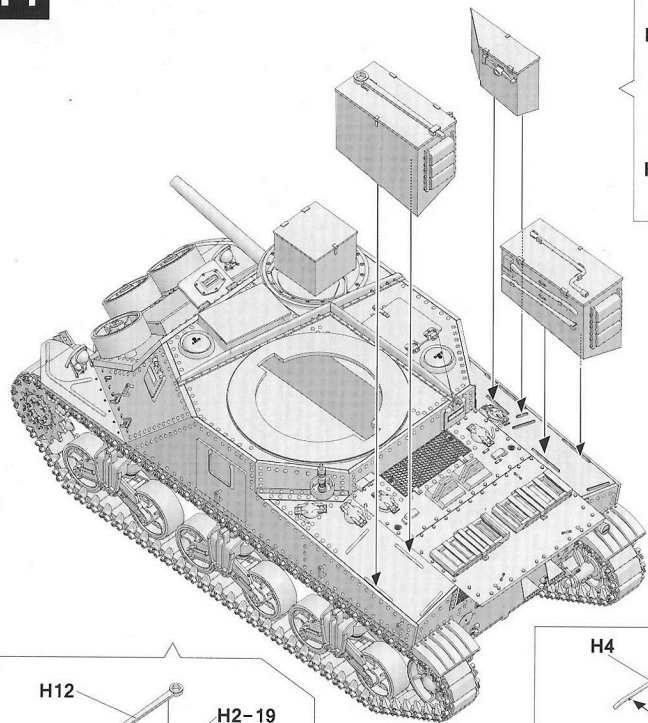
# 11



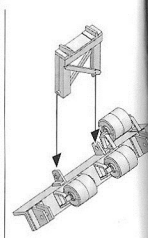
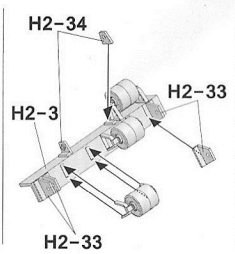
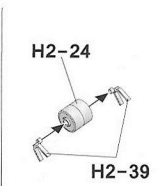
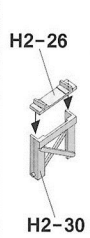
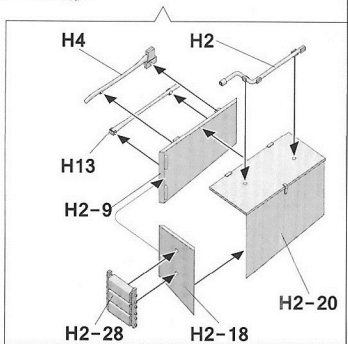
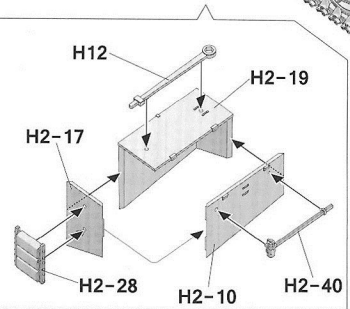
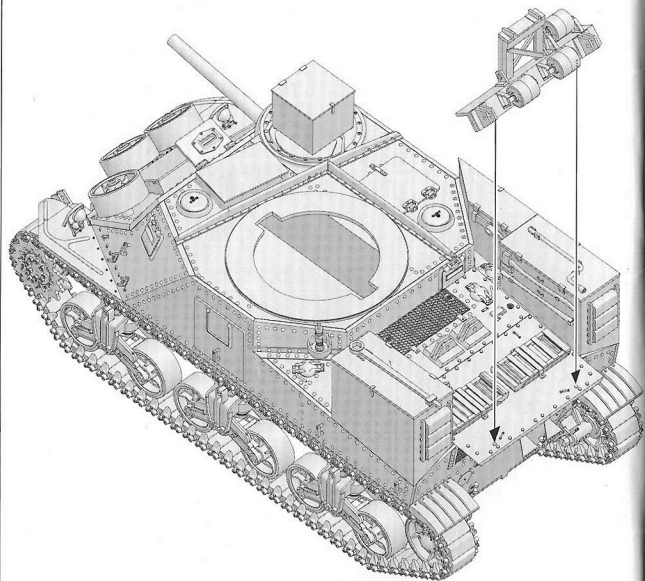




14



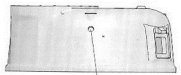
15



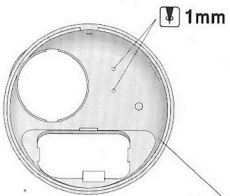
**Make 3**



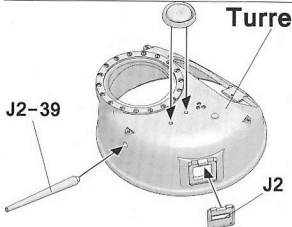
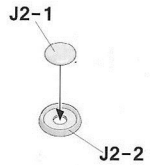
# 18



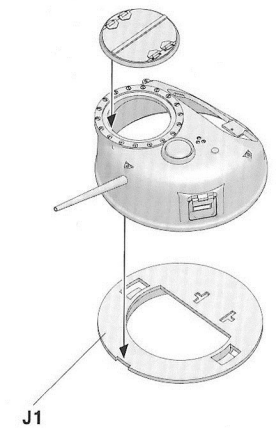
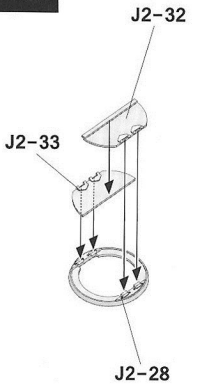
1.5mm  
1mm



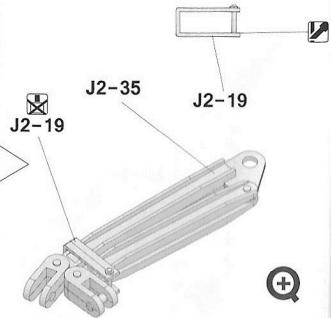
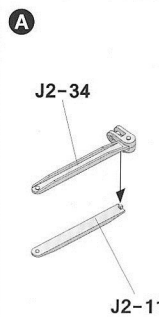
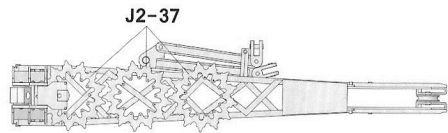
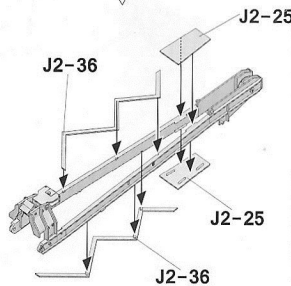
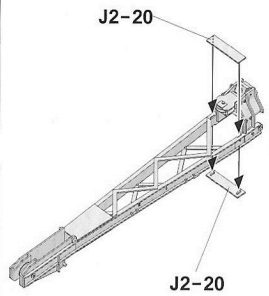
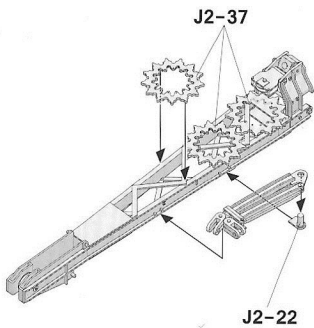
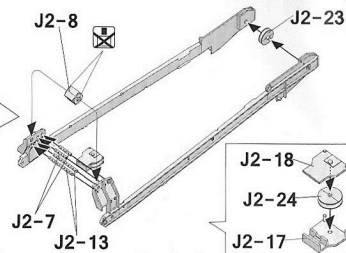
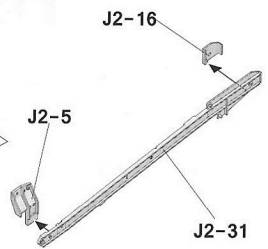
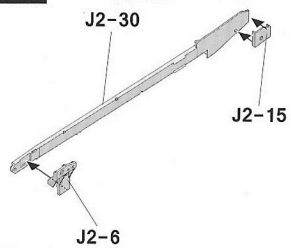
Turret  
Turret



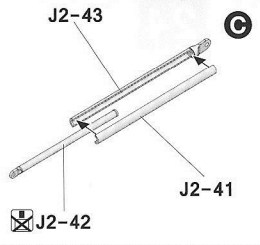
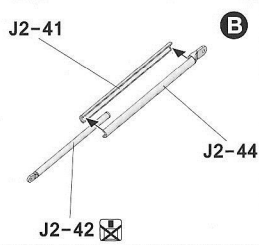
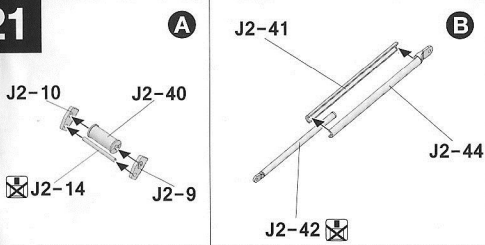
# 19



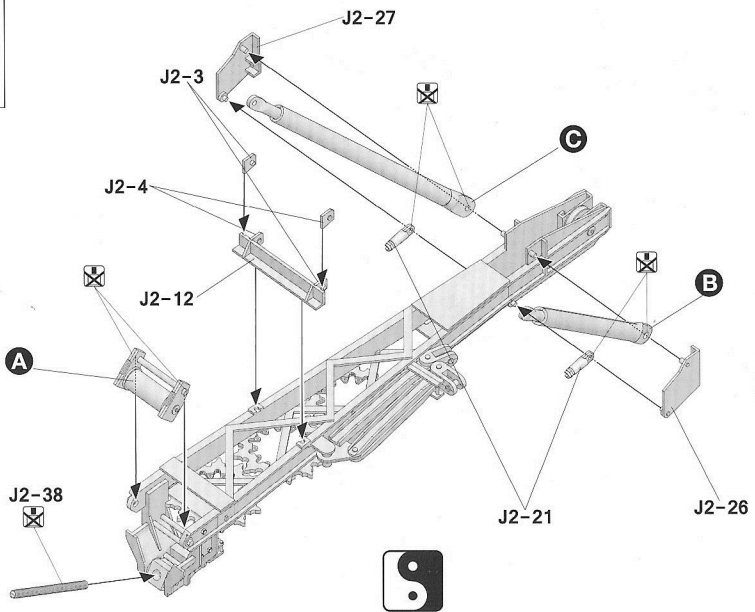
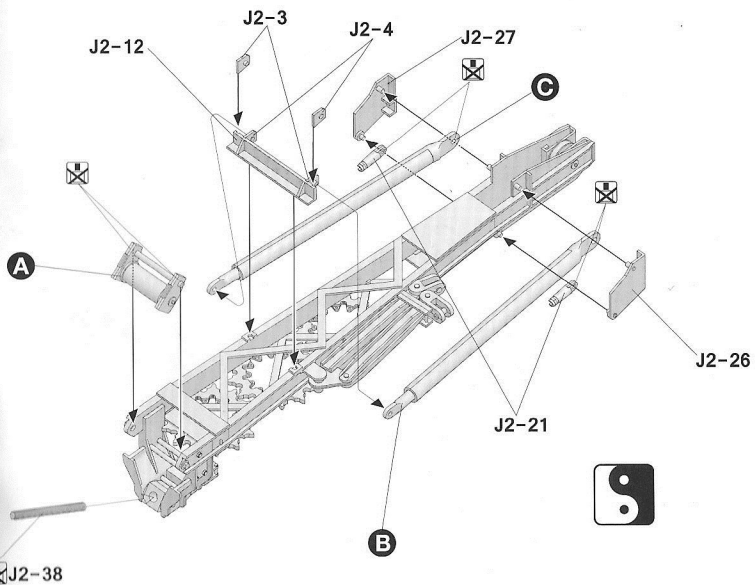
# 20



21



22



23



Cable167mm

J2-21

Cable165mm

J2-29



Cable165mm

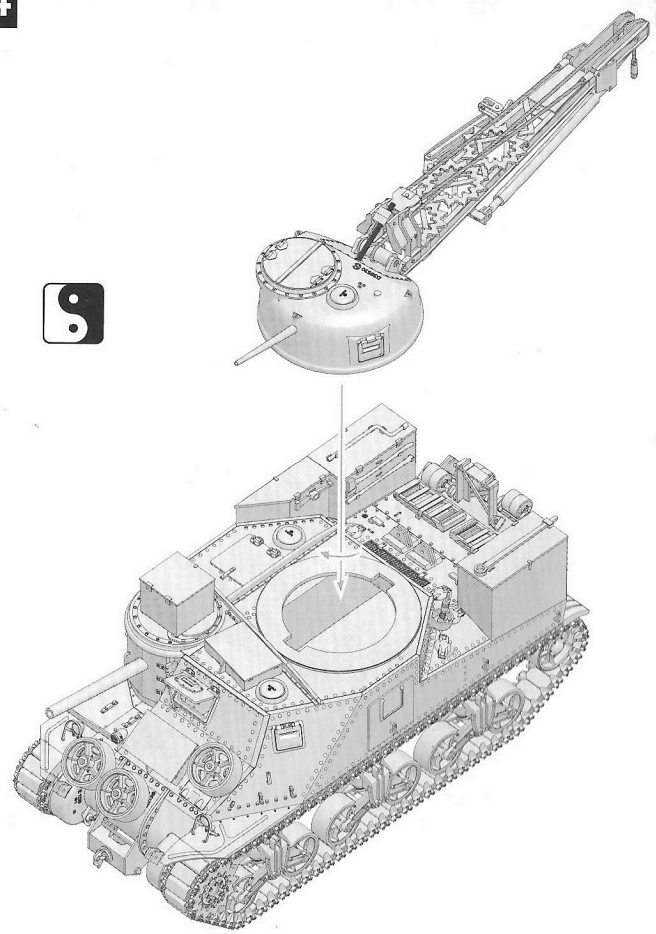
Cable167mm

J2-21

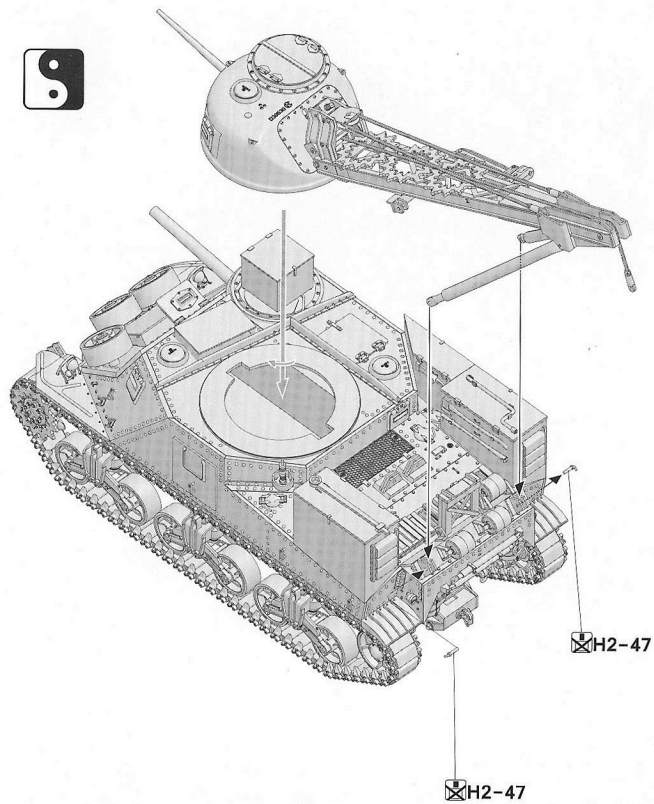
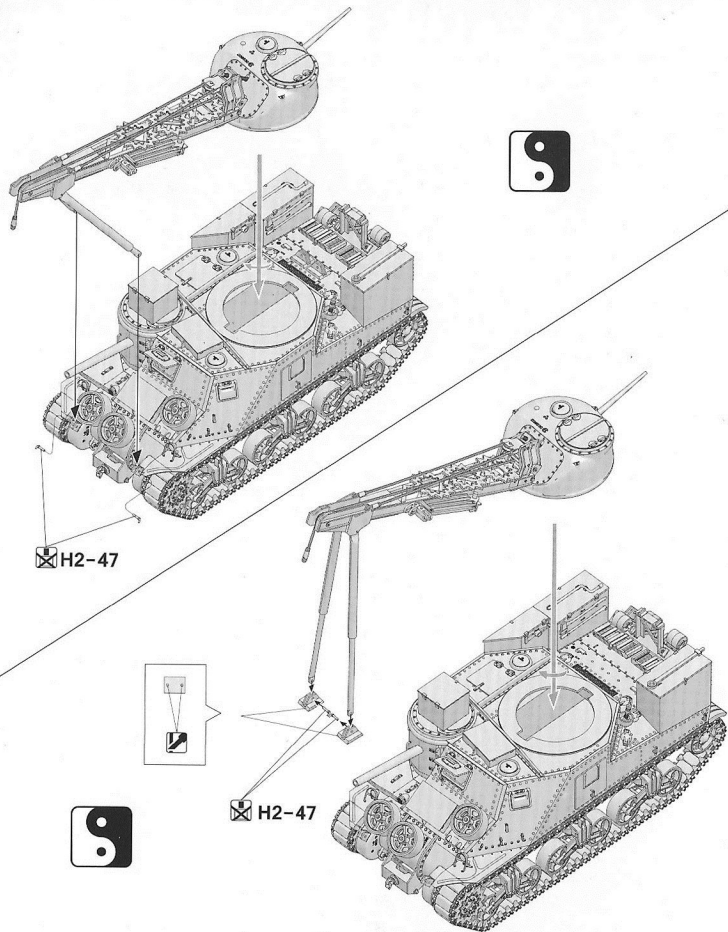
J2-29



24







## Painting and Marking Guide

**A.MIG 033** Rubber & Tires

**A.MIG 035** Dark Tracks

**A.MIG 045** Gun Metal

**A.MIG 093** Crystal Red

**A.MIG 094** Crystal Glass

**A.MIG 195** Silver

**A.MIG 037** Tan

**A.MIG 926** Olive Drab Base

1st Armored Regiment, Service Company, El Guettar,  
Tunisia, April 1943.



## Painting and Marking Guide

A.MIG 033

Rubber &amp; Tires

A.MIG 035

Dark Tracks

A.MIG 045

Gun Metal

A.MIG 093

Crystal Red

A.MIG 094

Crystal Glass

A.MIG 195

Silver

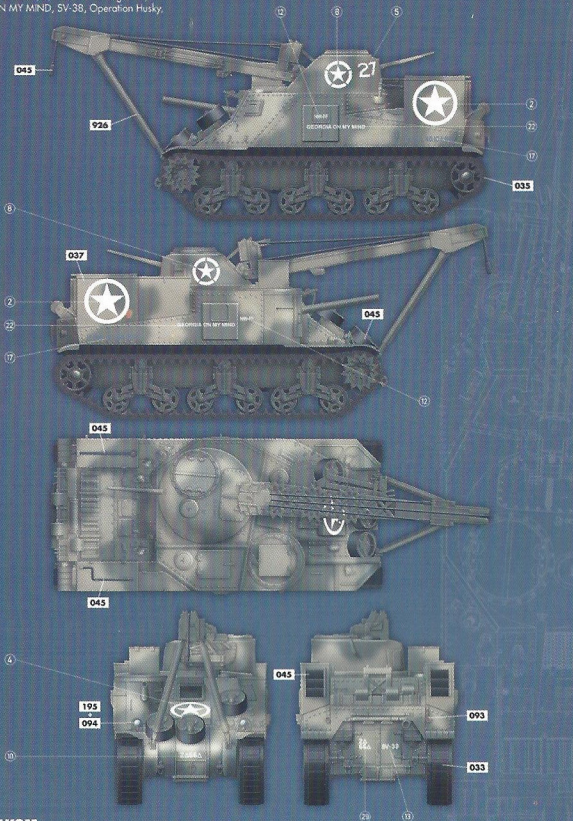
A.MIG 037

Tan

A.MIG 926

Olive Drab Base

2nd Armored Division, 3/56th Armor Regiment,  
 GEORGIA ON MY MIND, SV-38, Operation Husky,  
 July 1943.



## Painting and Marking Guide

A.MIG 033

Rubber &amp; Tires

A.MIG 035

Dark Tracks

A.MIG 045

Gun Metal

A.MIG 093

Crystal Red

A.MIG 094

Crystal Glass

A.MIG 195

Silver

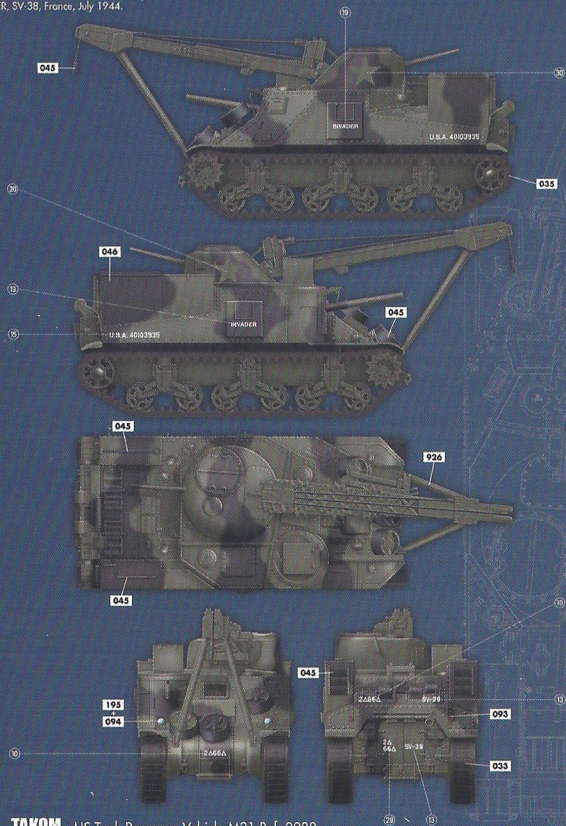
A.MIG 046

Matt Black

A.MIG 926

Olive Drab Base

2nd Armored Division, 3/66th Armor Regiment,  
INVADER, SV-38, France, July 1944.



## Painting and Marking Guide

**A.MIG 033** Rubber & Tires

**A.MIG 035** Dark Tracks

**A.MIG 045** Gun Metal

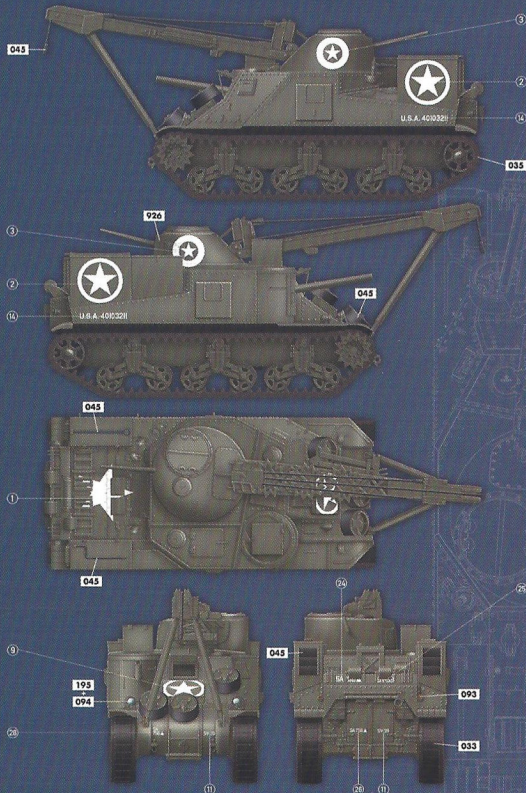
**A.MIG 093** Crystal Red

**A.MIG 094** Crystal Glass

**A.MIG 195** Silver

**A.MIG 926** Olive Drab Base

5th Army, 756th Tank Battalion, SV-39, Mt. Lungo, Italy, January 1944.



## Painting and Marking Guide

A.MIG 033

Rubber &amp; Tires

A.MIG 035

Dark Tracks

A.MIG 045

Gun Metal

A.MIG 093

Crystal Red

A.MIG 094

Crystal Glass

A.MIG 195

Silver

A.MIG 926

Olive Drab Base

Unknown unit. Theater Issue Depot, Oran, Algeria,  
May 1943.

