

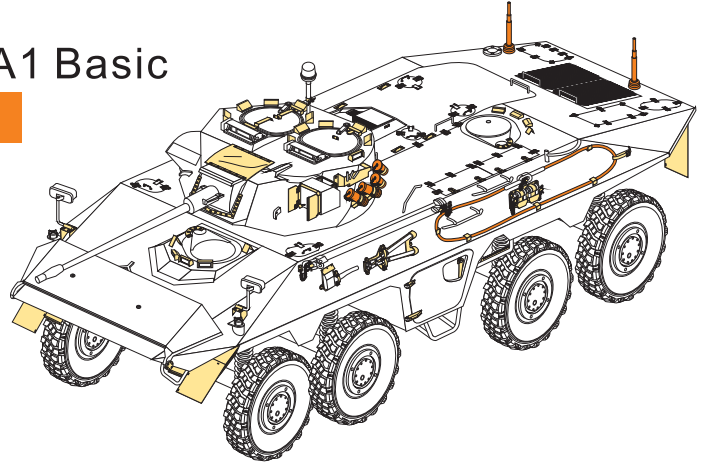
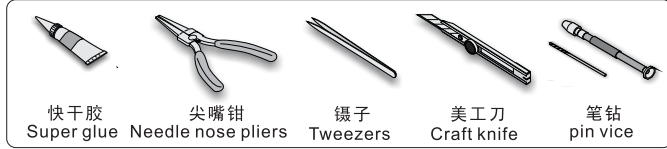
1/35 MILITARY MINIATURE VEHICLE UPGRADE SERIES PE35781

Morden German SpPZ2 Luchs A1 Basic

现代德军SpPZ山猫轮式装甲车A1型

[For TAKOM 2015]

推荐使用工具 RECOMMENDED TOOLS



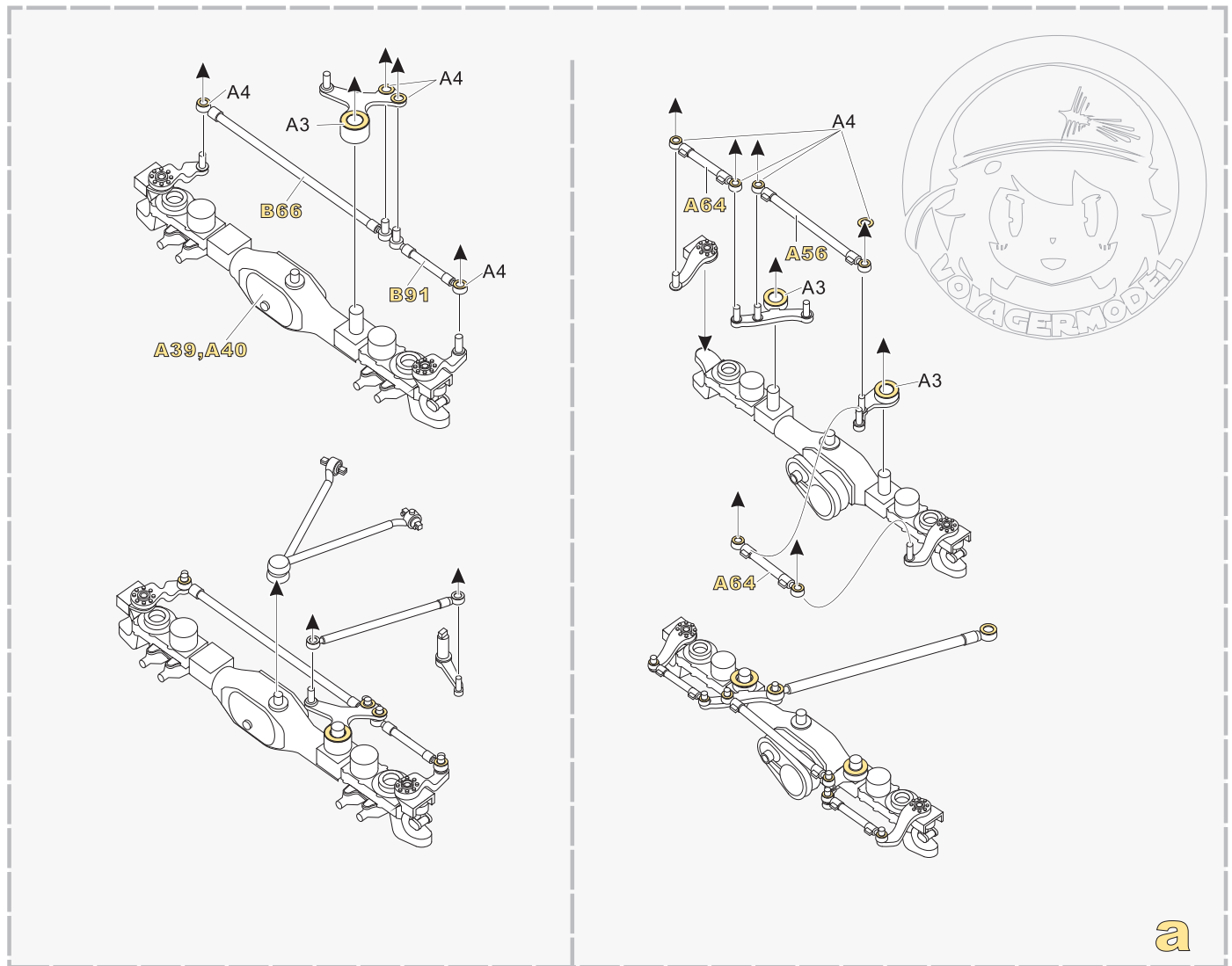
- 安装 install
- 折叠 bend
- A1** 改造件零件编号 PE/resin part number
- B12** 原零件编号 kit part number
- C22** 被替换的原零件编号 replaced kit part number
- 弧度卷曲 radial bending
- 选择安装 alternative
- 切除 remove
- 钻孔 drill
- x2** 制作若干组 multiple assembly
- 另一侧相同制作 repeat on opposite side

制作线圈 make coil

用尖端在凹槽处冲压 use penpoint to press on the dent

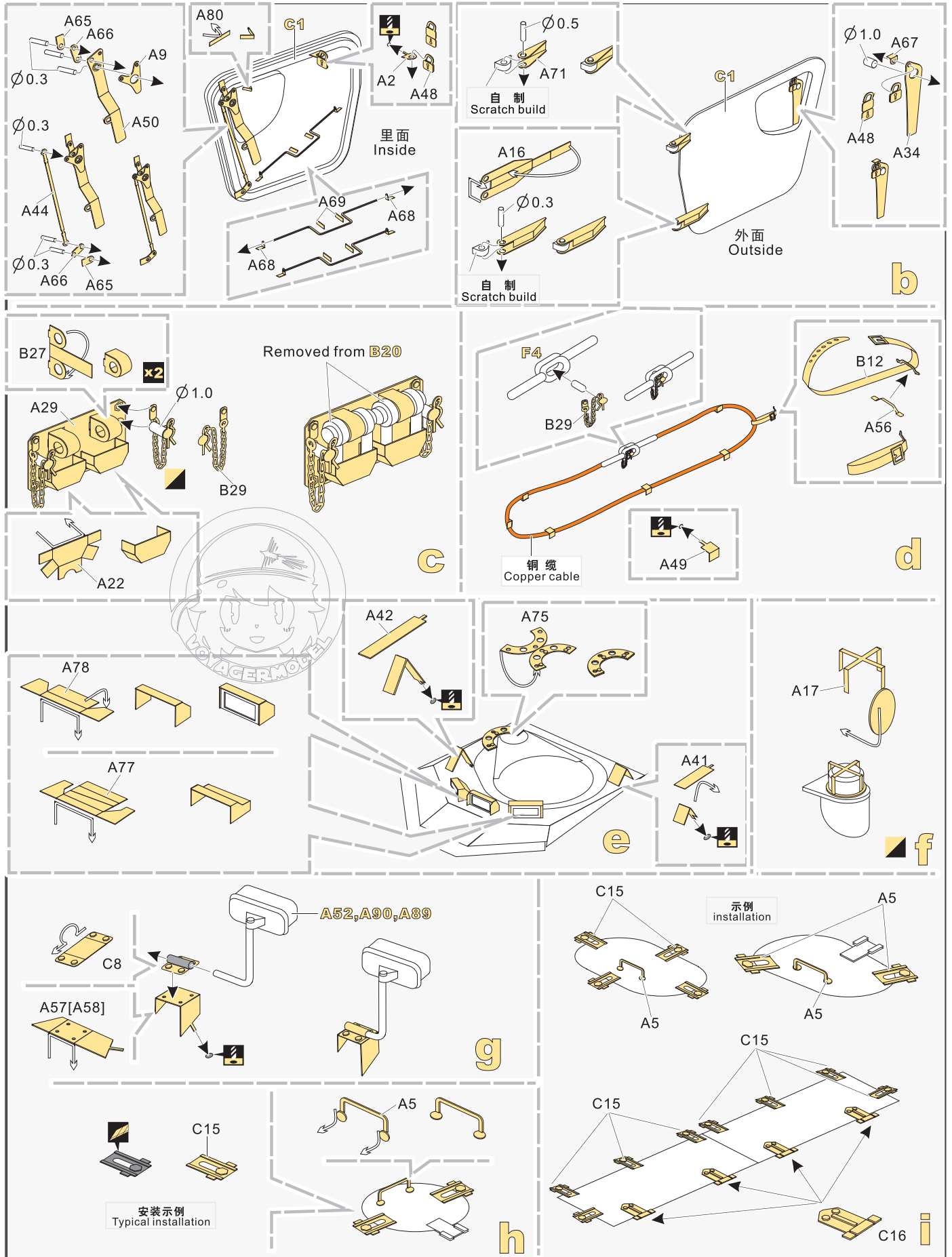
圆珠笔 Ballpen

蚀刻片零件内侧面向上 PE part inboard side turn up
用笔尖在凹槽处刮 Use penpoint scratch on the flute

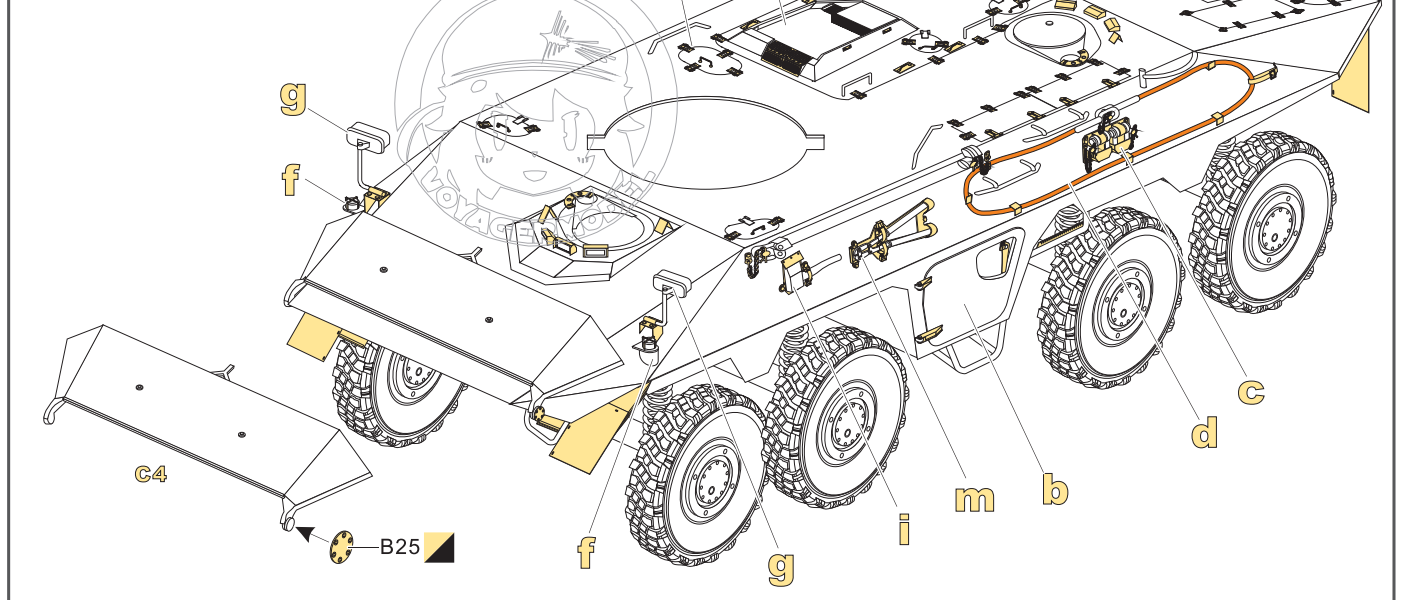
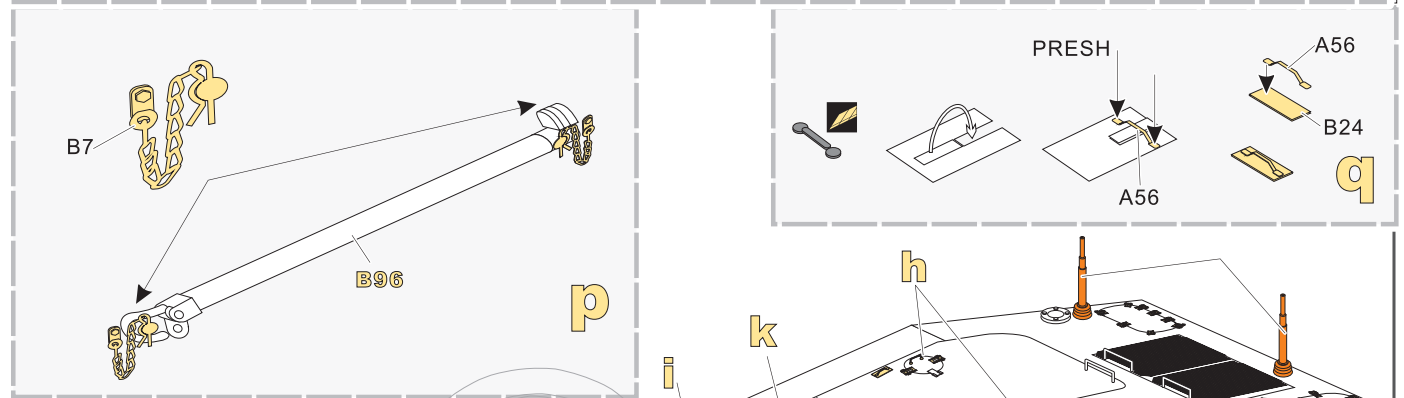
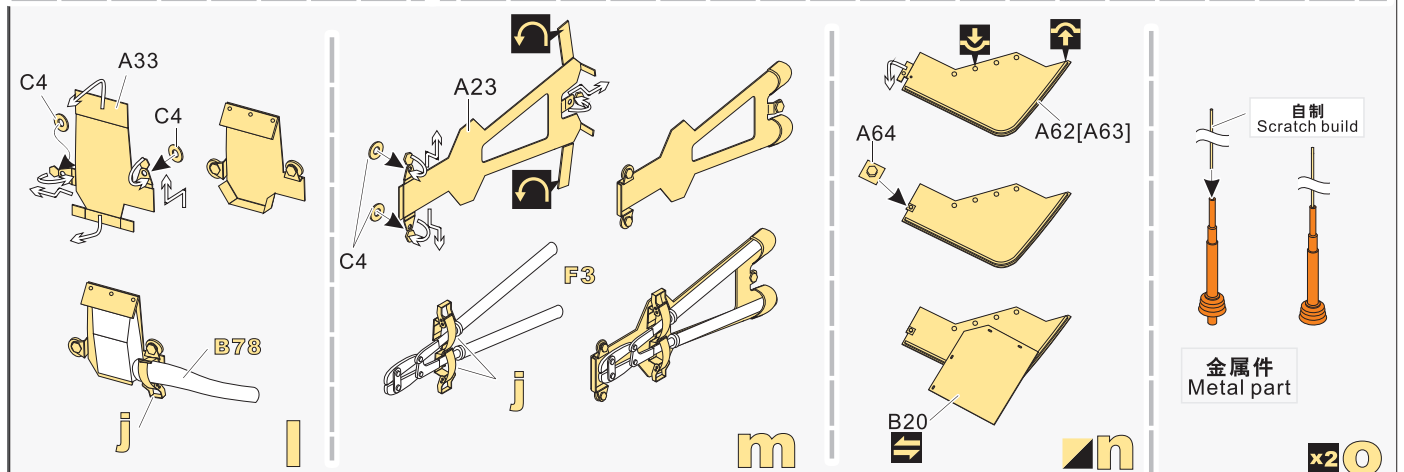
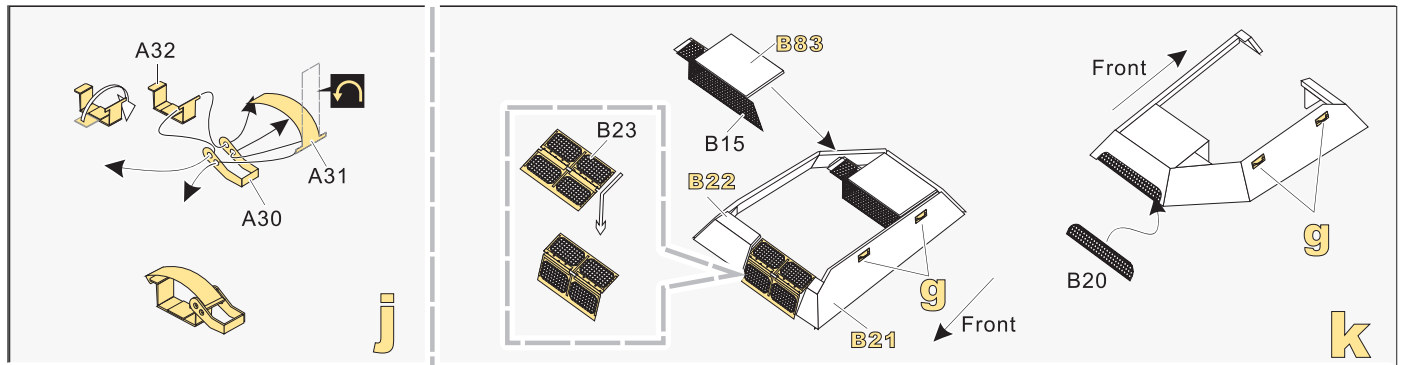


a

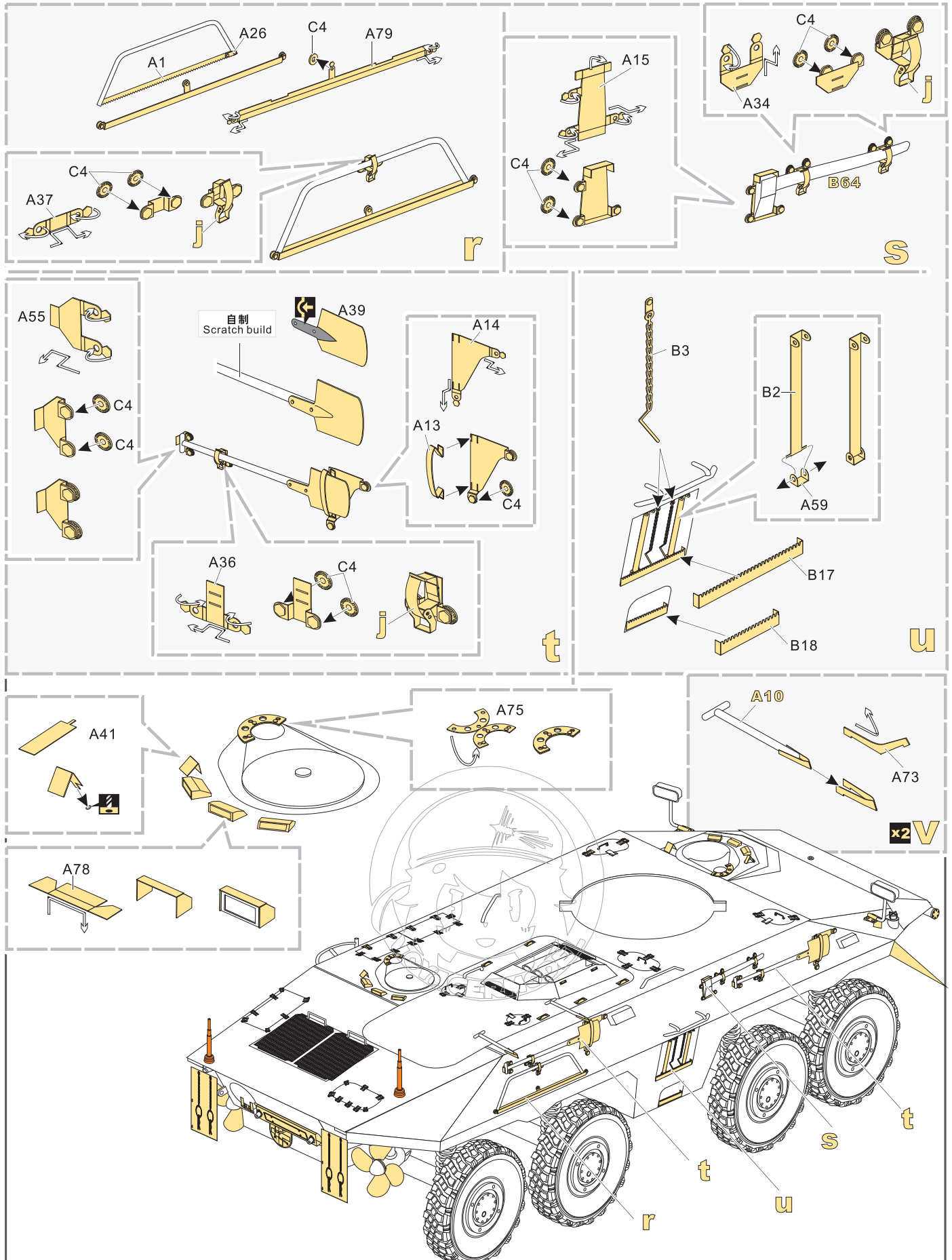
1/35 MILITARY MINIATURE VEHICLE UPGRADE SERIES PE35781



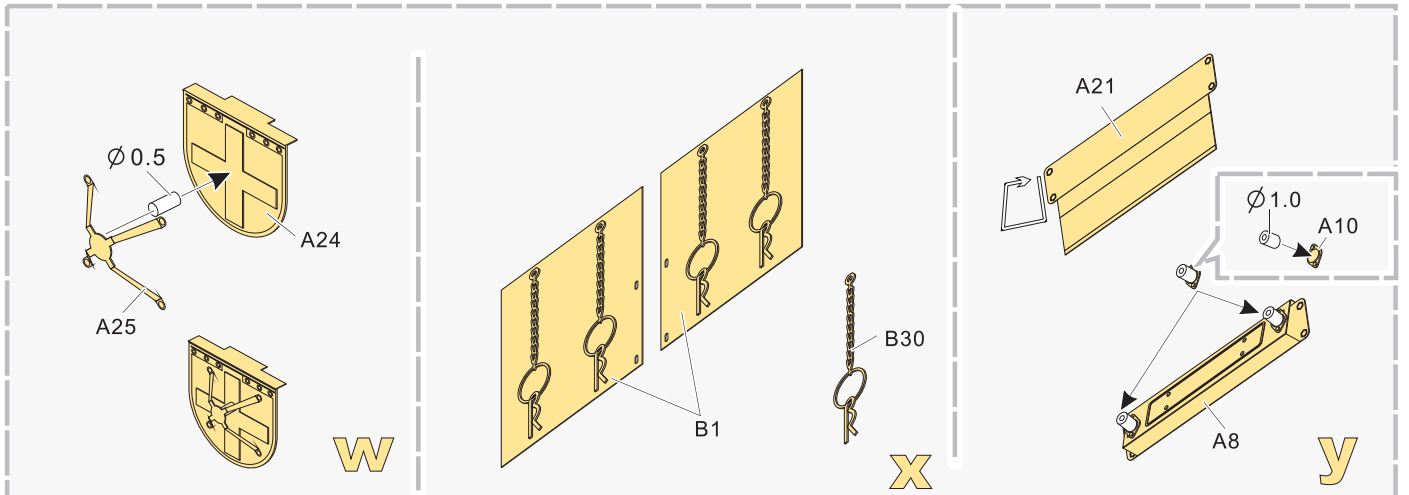
1/35 MILITARY MINIATURE VEHICLE UPGRADE SERIES PE35781



1/35 MILITARY MINIATURE VEHICLE UPGRADE SERIES PE35781



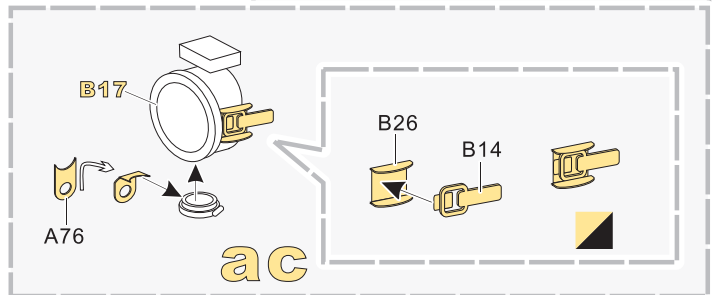
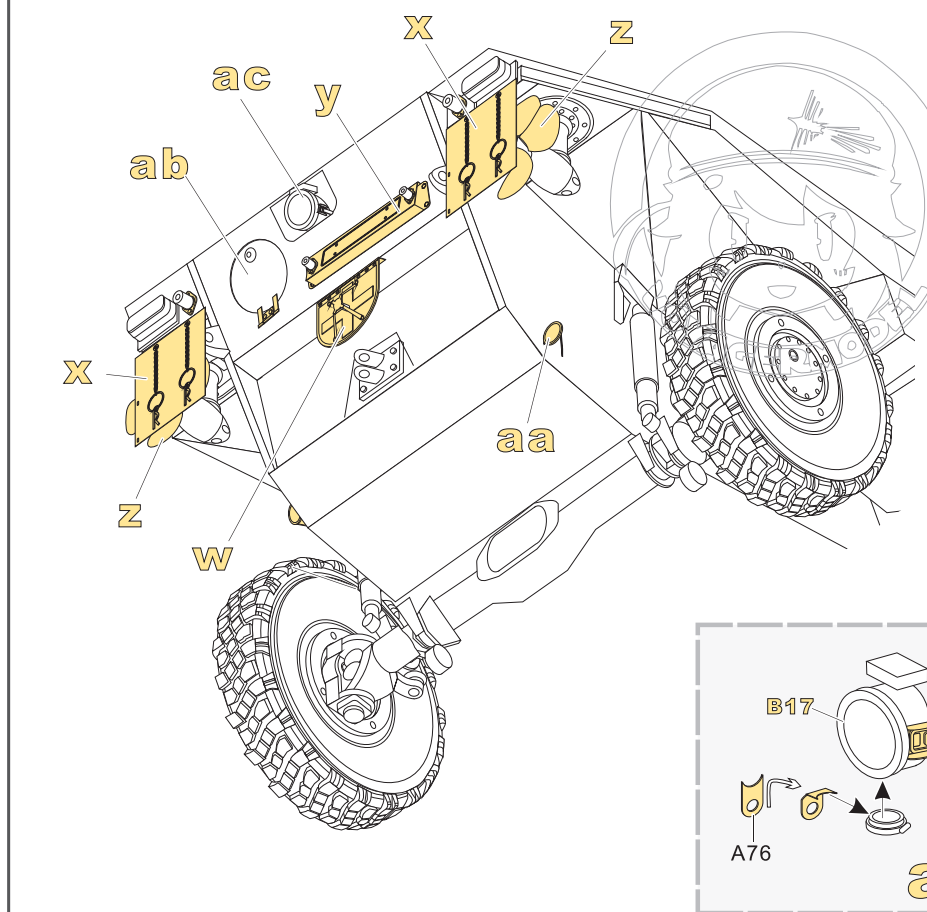
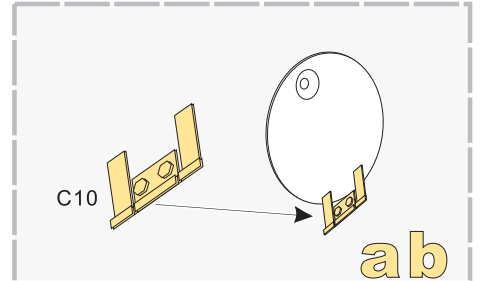
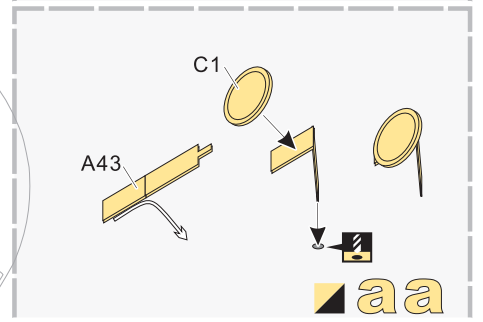
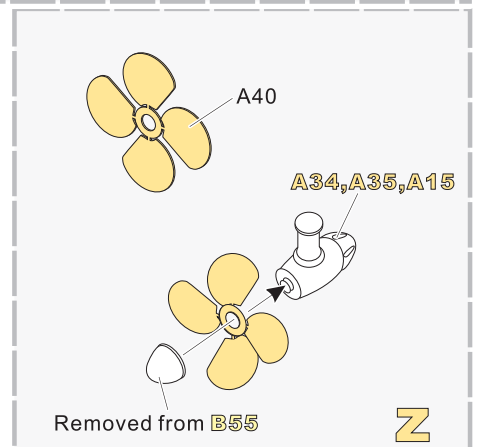
1/35 MILITARY MINIATURE VEHICLE UPGRADE SERIES PE35781



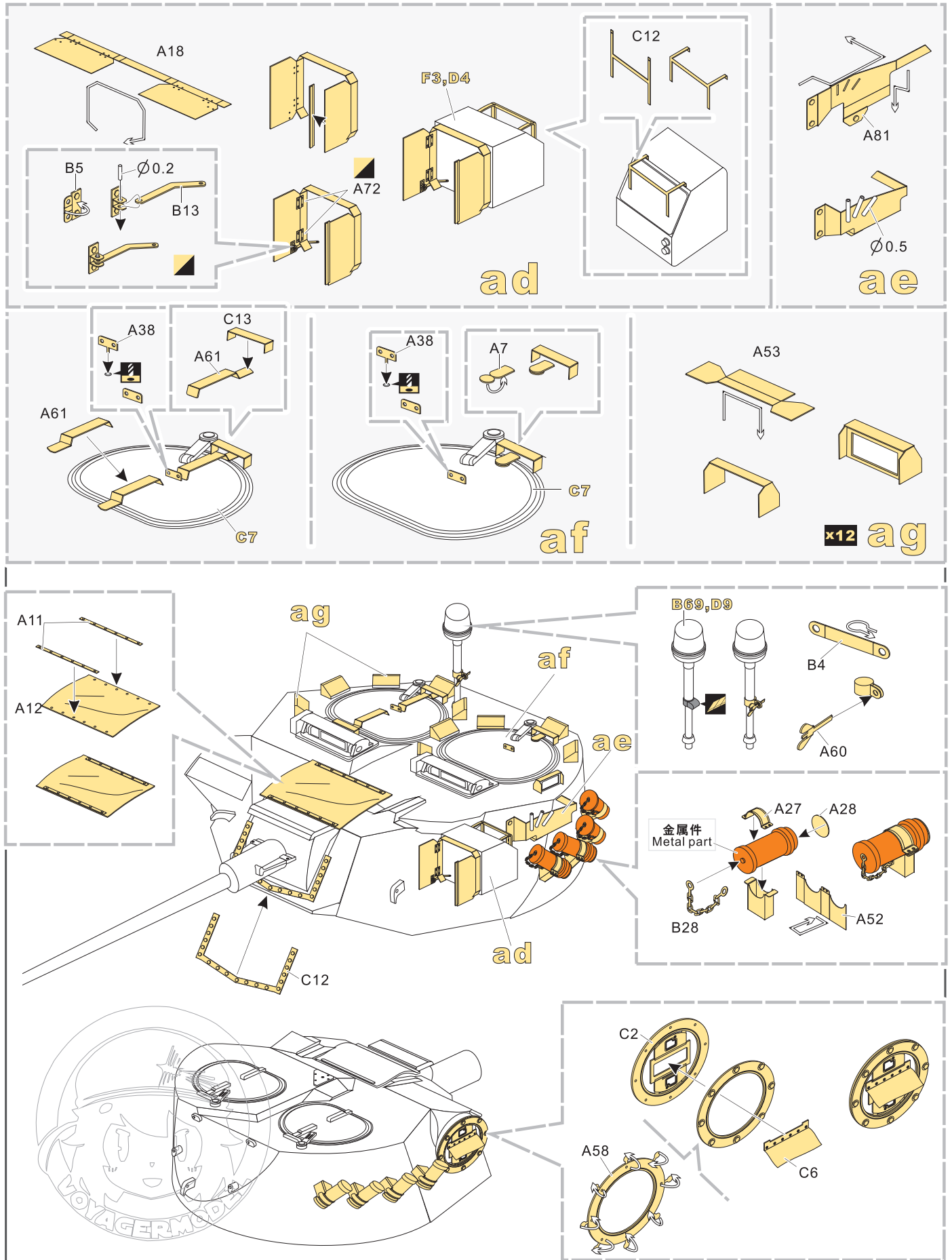
**VOYAGER
MODEL**



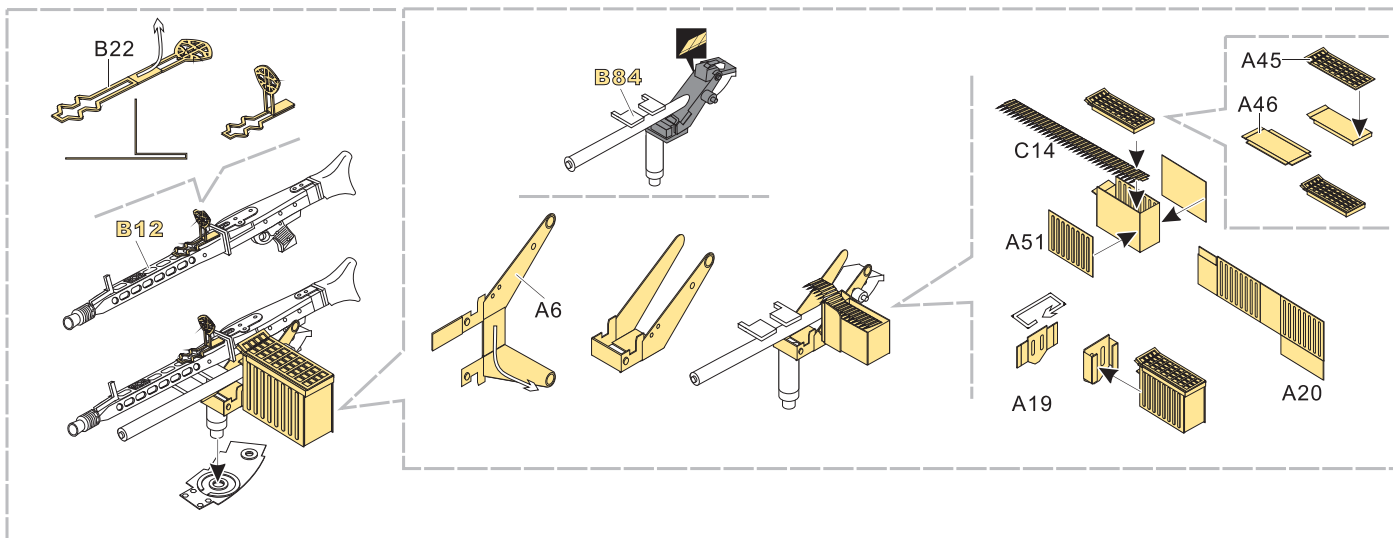
更多PE35781样品照片参考请扫一扫
MORE PICTUER OF PE 35781
REFERENCE SCAN HERE



1/35 MILITARY MINIATURE VEHICLE UPGRADE SERIES PE35781



1/35 MILITARY MINIATURE VEHICLE UPGRADE SERIES PE35781



VOYAGERMODEL® 无微不至 极尽享受
The Best Upgrade Solution

Recommended item

VBS 0197	Morden German SpPZ2 Luchs Gun Barrel
PEA 365	Morden German SpPZ2 Luchs Road Wheels Ver.A
PEA 366	Morden German SpPZ2 Luchs Road Wheels Ver.B

