

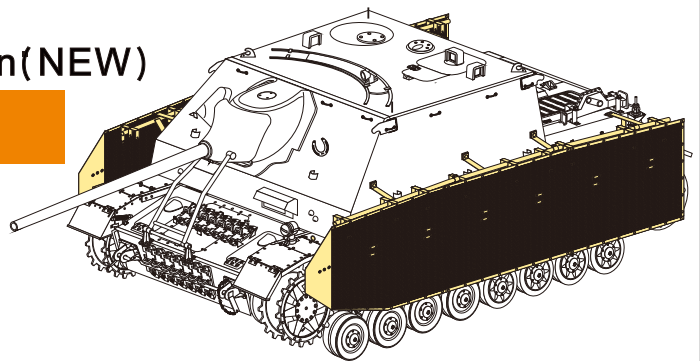
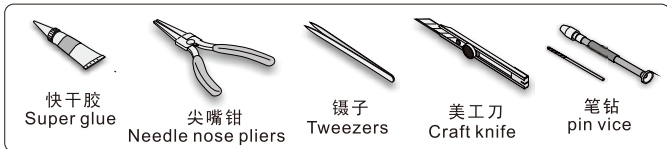
1/35 MILITARY MINIATURE VEHICLE UPGRADE SERIES PEA311

WWII German Jagdpanzer IV/70(A) "Thoma shields" wire mesh schürzen(NEW)

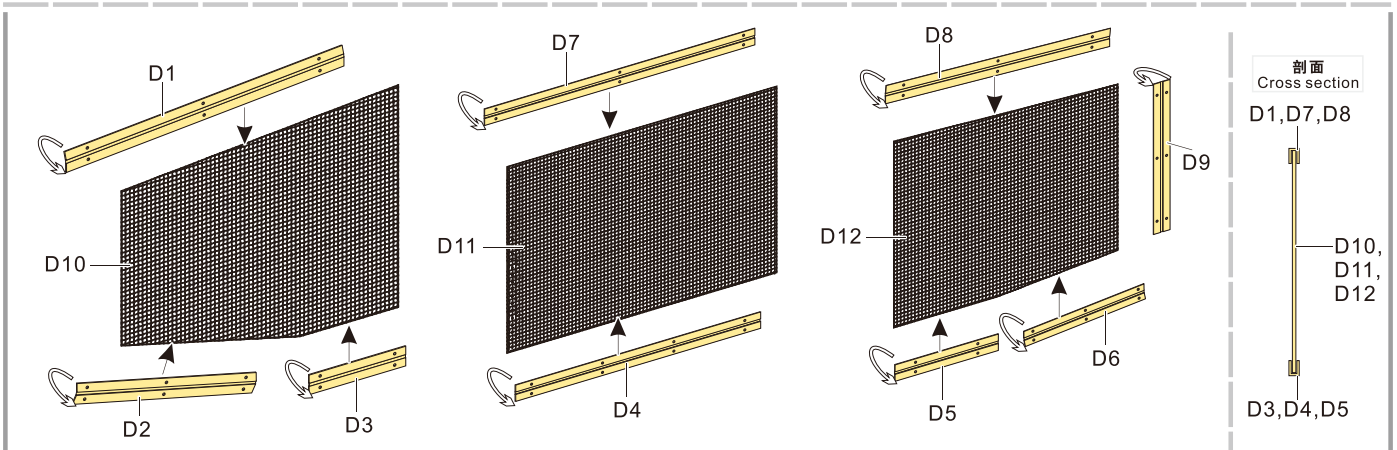
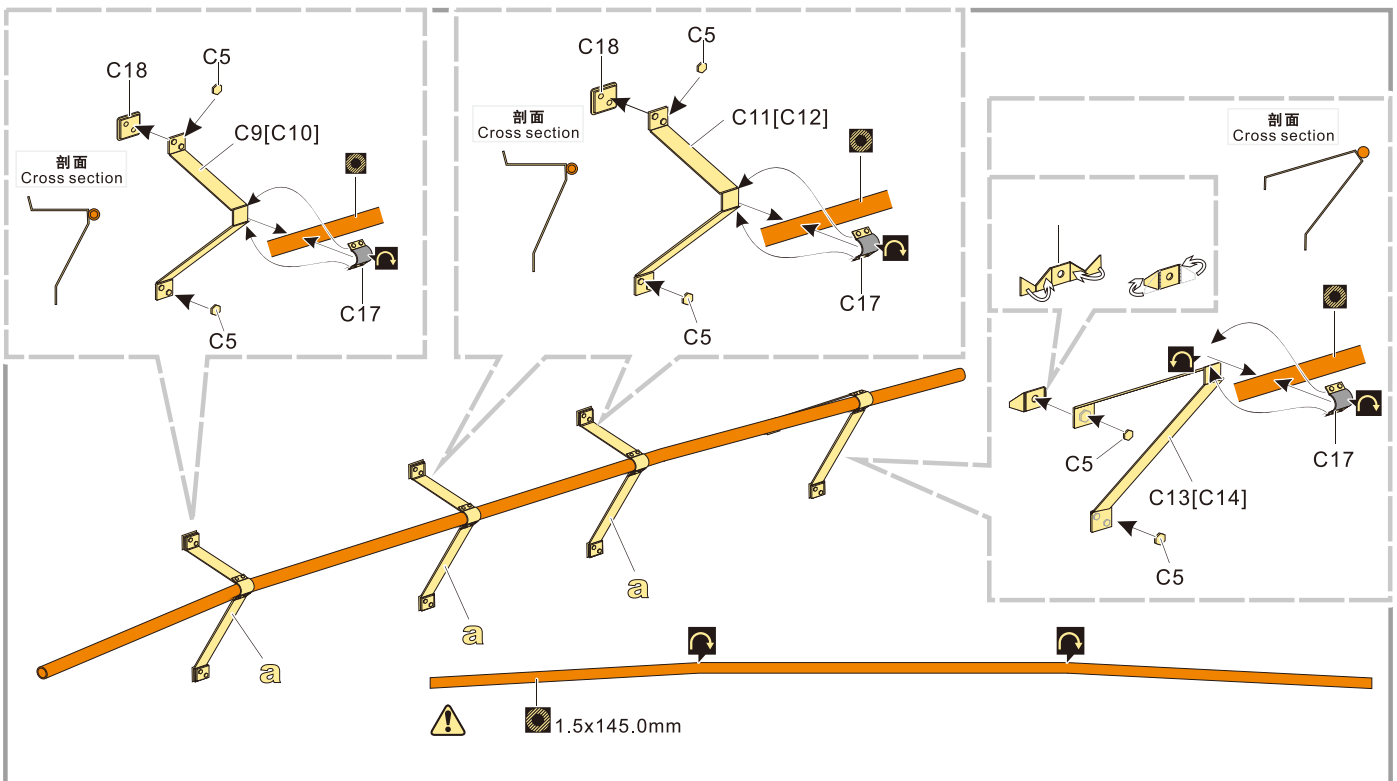
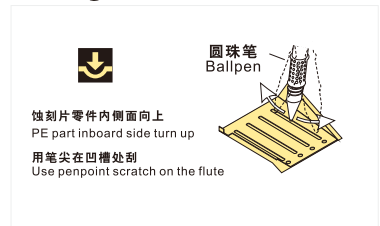
二战德军IV号坦克歼击车70(A) 临时方案型钢网侧裙改造件(新版)

[For DRAGON 6082 / 6689/TRISTAR KIT 35048]

推荐使用工具 RECOMMENDED TOOLS



- ↑
安装
install
- ↩
折叠
bend
- A1
改造件零件编号
PE/resin part number
- x2
制作若干组
multiple assembly
- 用胶棒制作
make from plastic rod
- ⚙
钻孔
drill
- ⤵
弧度卷曲
radial bending
- ≡
选择安装
alternative
- ✂
切除
remove
- ◀
另一侧相同制作
repeat on opposite side
- ⚓
用铜管制作
make from brass tube
- ⚠
注意
caution



1/35 MILITARY MINIATURE VEHICLE UPGRADE SERIES PEA311

VOYAGERMODEL® 无微不至 极尽享受
The Best Upgrade Solution

Recommended item

PE 35186	WWII German Jagdpanzer IV/70(A) ZWISCHEN LOSUNG
PE35187	WWII German Pz.Kpfw.IV Series Fenders
PE35551	WWII German Jagdpanzer IV/70(A) ZWISCHEN LOSUNG
VBS0149	WWII German Jagdpanzer family 75mm L/70 Barrel w/Mantlet

