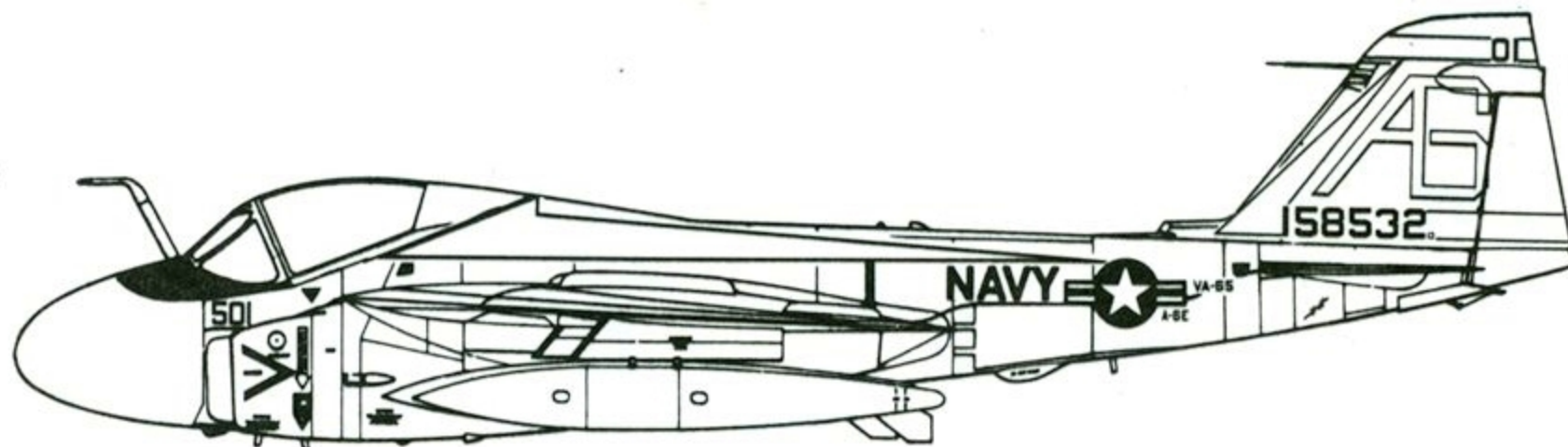
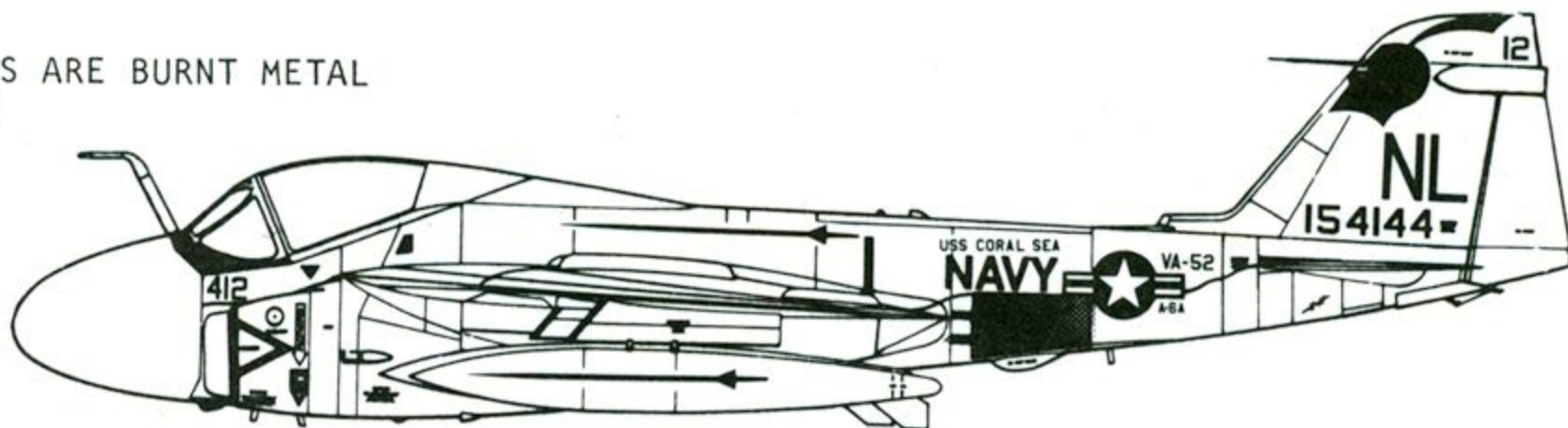


A-6E VA-65 "TIGERS"
STANDARD PAINT SCHEME
01 ON UPPER WING FLAPS



A-6A VA-52 "KNIGHT RIDERS"
STANDARD PAINT SCHEME
BLACK INTAKE LIPS
PERFORATED SPEED BRAKES ARE BURNT METAL
12 ON UPPER WING FLAPS



48-225

STANDARD PAINT SCHEME

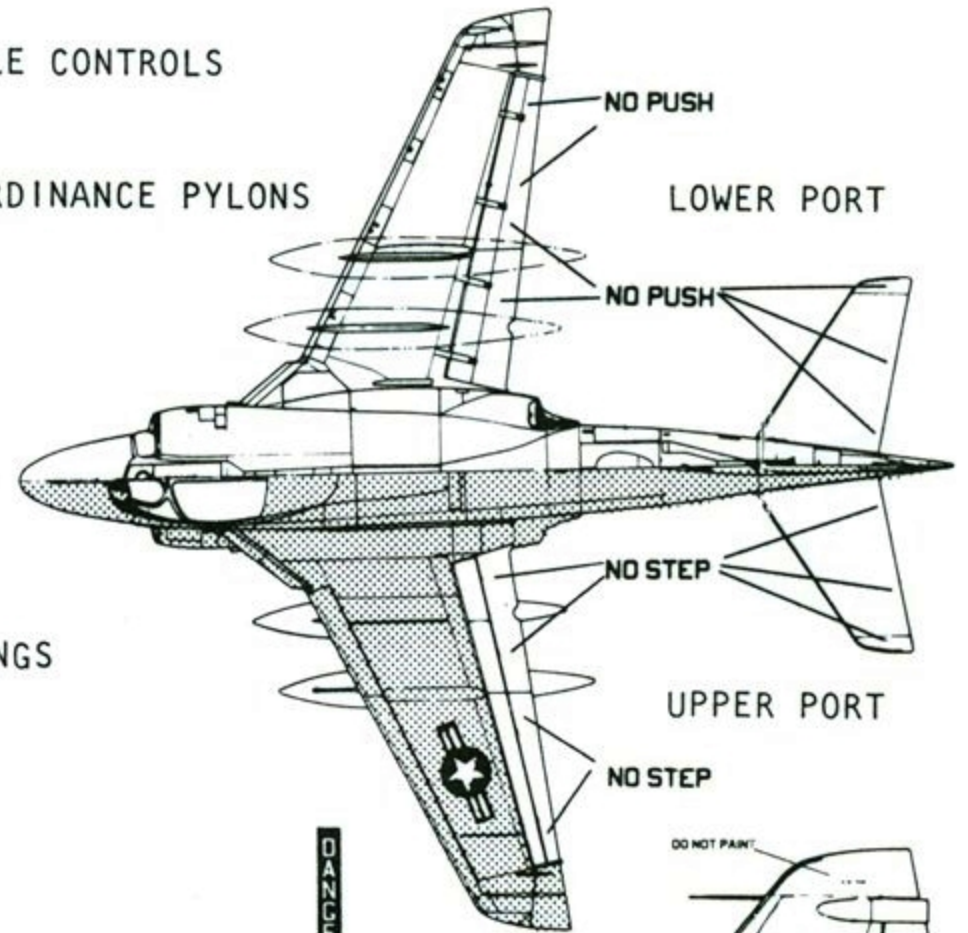
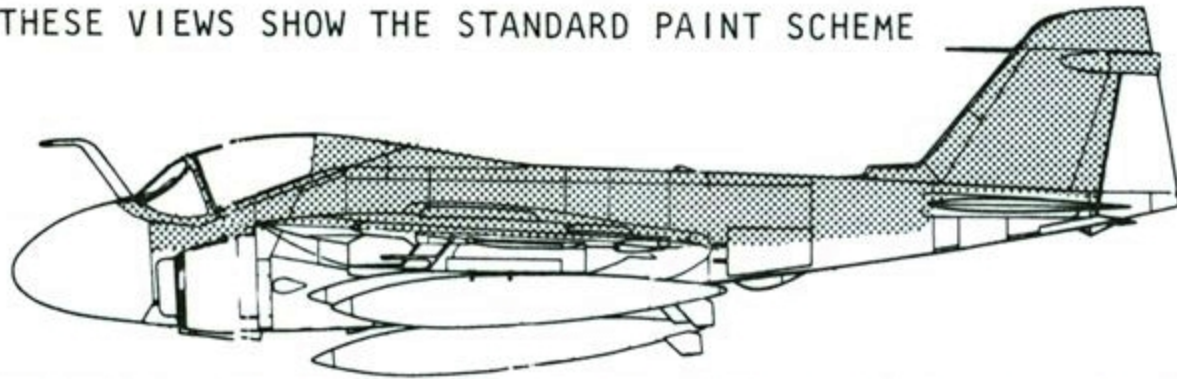
LT. GULL GRAY FS36442- ALL UPPER SURFACES EXCEPT MOVABLE CONTROLS

GLOSS WHITE- ALL UNDER SURFACES AND CONTROLS

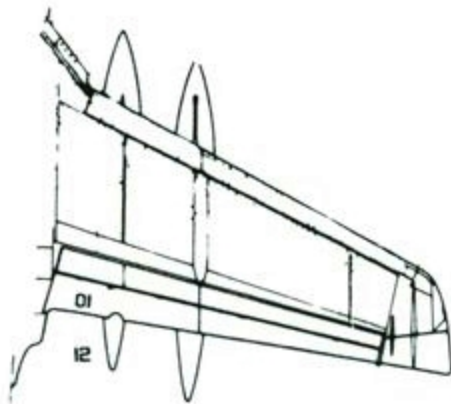
CRAEM FS33690- RADOME

BARE METAL- LEADING EDGES OF ALL FLYING SURFACES AND ORDINANCE PYLONS

THESE VIEWS SHOW THE STANDARD PAINT SCHEME



NATIONAL INSIGNIA ON UPPER PORT AND LOWER STARBOARD WINGS



USE APPROPRIATE NUMBERS

