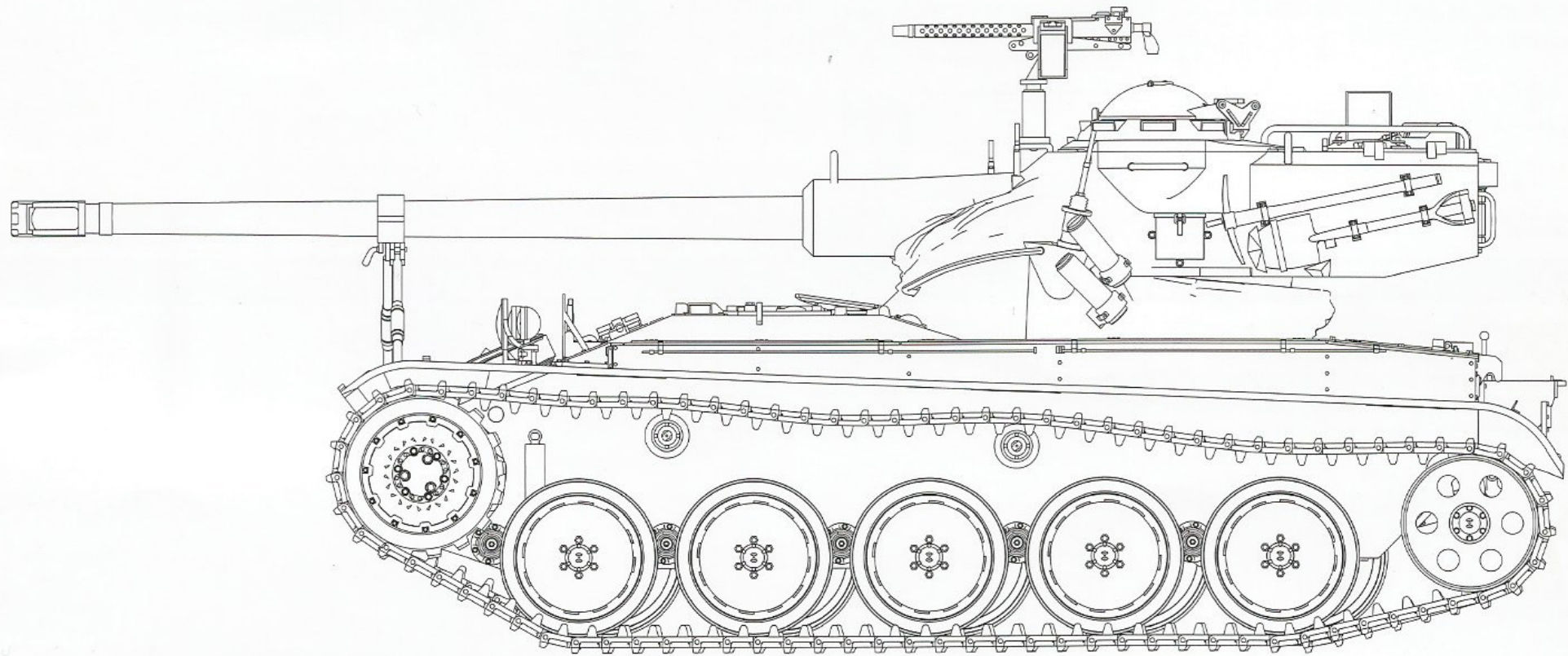


## I.D.F LIGHT TANK

# AMX-13/75



Adopted by the French Army to replace their U.S. supplied light tanks, the AMX-13 was designed in 1950 by Atelier de Construction D'Issy-les-Moulineux, and produced by Atelier de Construction Roanne until 1987 with some 7,700 examples having been produced. The most striking feature of the AMX-13 tank is its oscillating GIAT turret. Rather than the gun pivoting on trunnions within the turret, a 'sub-turret' (and the gun) elevates within the rotating turret. This design eliminates the normally bulky mantlet/gun shield on conventional designs, and allows a lower overall height.

Built into the turret bustle is an automatic loader fed by 2 revolving magazines holding 6 rounds each of ready ammunition, with a rate of fire of 10 rounds per minute. Although this feature reduces the number of crew required to operate the tank, and certainly provides a formidable burst of firepower in an initial engagement, it exposes the crew during the time consuming process of reloading through the roof of the turret. With a combat weight of 14.8 tons and a crew of 3, the AMX-13 is powered by a 250hp SOFAM 8 Gxb 8 cylinder, liquid cooled gasoline engine with a syncromesh transmission providing 5 forward and 1 reverse speeds reaching a road speed of 60km/h. The AMX-13/75 is armed with a 75mm main gun- a weapon based on the German L/71 used in the Panther tank- with 32 rounds and either a 7.5 or 7.62mm AAT-52 Tak coaxial machine gun with 3,600 rounds (with optional second AAT-52 on roof ring). This tank is constructed of welded steel armor plates ranging from 20mm to 40mm thick, with the engine located in the front.

Of the 7,700 produced, 3,400 AMX-13's were exported broadly, and have seen combat from Africa to Central America to the Middle East to the Indian Subcontinent. Operators include Algeria, Argentina, Austria, Belgium, Cambodia, Chile, Cyprus, Dominican Republic, Djibouti, Ecuador, Egypt, El Salvador, France, Guatemala, India, Indonesia, Israel, Ivory Coast, Kuwait, Lebanon, Morocco, Nepal, Netherlands, Peru, Singapore, Switzerland, Tunisia, and Venezuela. The French Army retired their fleet of AMX-13's in the 1970's, but they remain in service with many nations today.

# READ BEFORE ASSEMBLY

## CAUTION

- Read carefully and fully understand the instructions before commencing assembly. A supervising adult should also read the instructions if a child assembles the model.
- When assembling this kit, tools including knives used. Extra care should be taken to avoid personal injury.
- Keep out of reach of small children. Children must not be allowed to suck any part, or pull vinyl bag over their heads.



Optional



Remove



Do Not Cement



Drill



Instant Glue  
for Metal



Be Careful

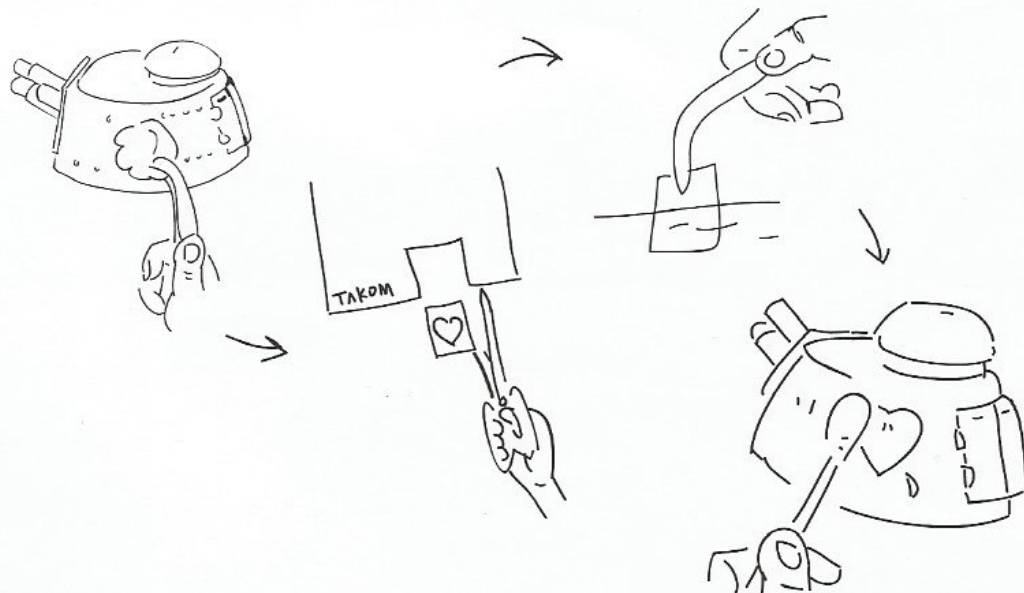
## PAINTS REQUIRED

Color info and profiles by Mig Jimenez

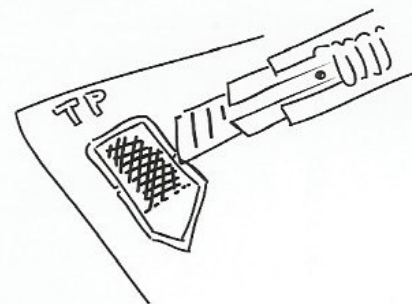
A.MIG 033	Rubber & Tires	A.MIG 036	Old Wood	A.MIG 042	Old Rust	A.MIG 035	Dark Tracks
A.MIG 047	White	A.MIG 071	Khaki	A.MIG 093	Crystal Red	A.MIG 045	Gun Metal
A.MIG 069	Blue Green	A.MIG 067	IDF Sinai Grey				

## APPLYING DECALS

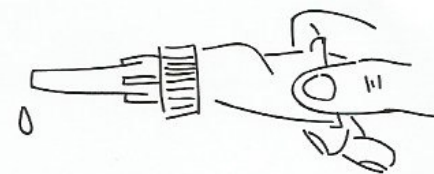
1. Clean the model surface with a wet cloth.
2. Cut out each decal design from sheet, and dip it in tepid water for 15~20 sec.
3. Hold the backing sheet edge and slide decal onto the model.
4. Move decal into position by wetting decal with finger.
5. Press decal gently down with a soft cloth until excess water and air bubbles are gone.



## REMOVING PE



Be careful not to hurt when removing PE parts.

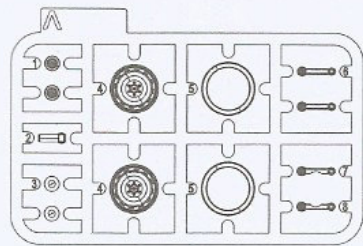


Secure using instant glue (not included).

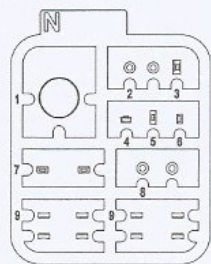


Finish using file.

# PARTS



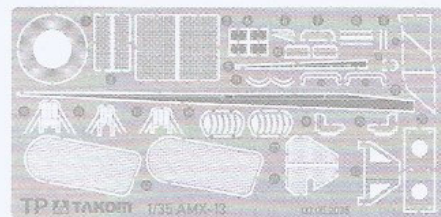
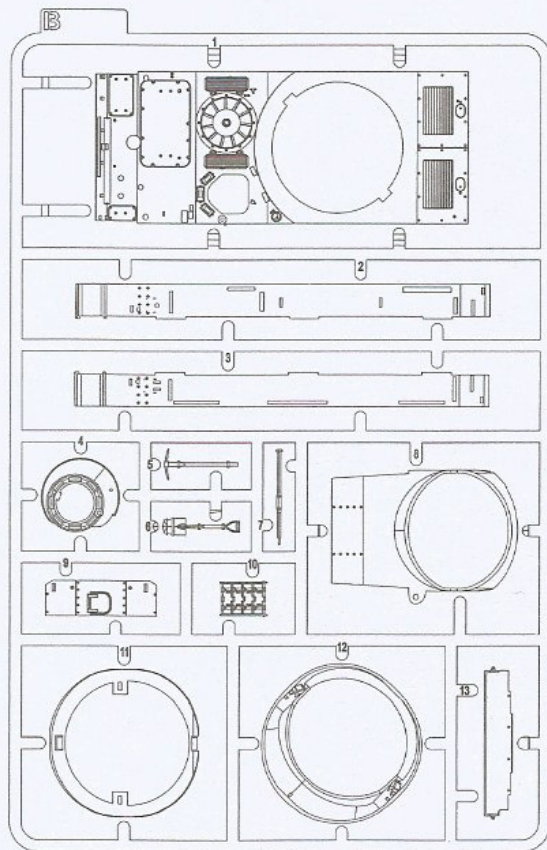
X5



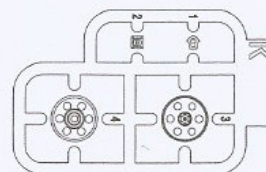
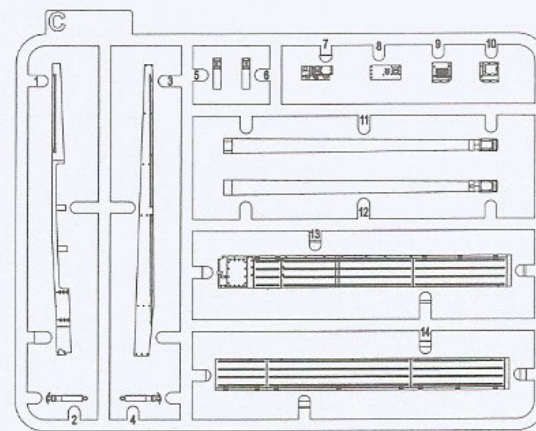
Dust Cover



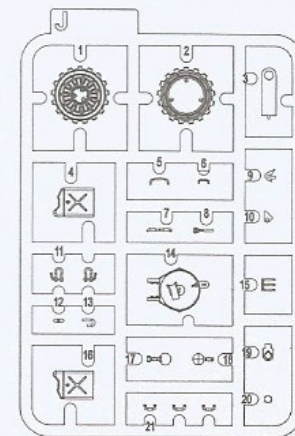
Decal



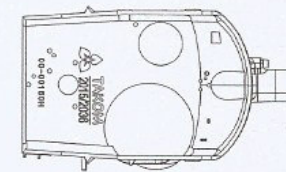
TP



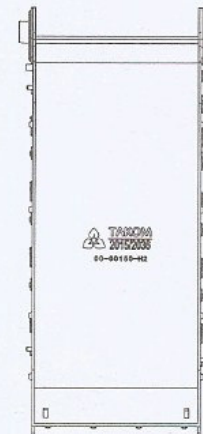
X2



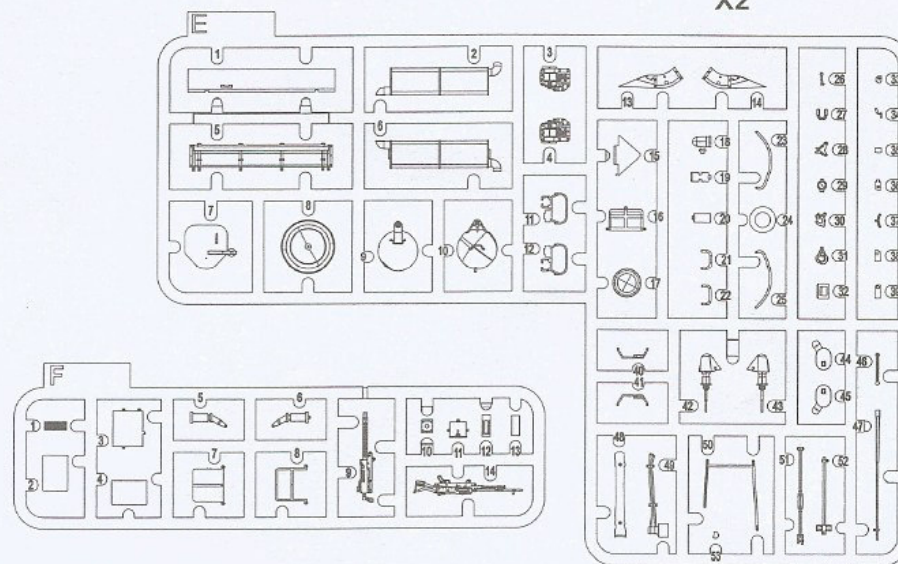
X2



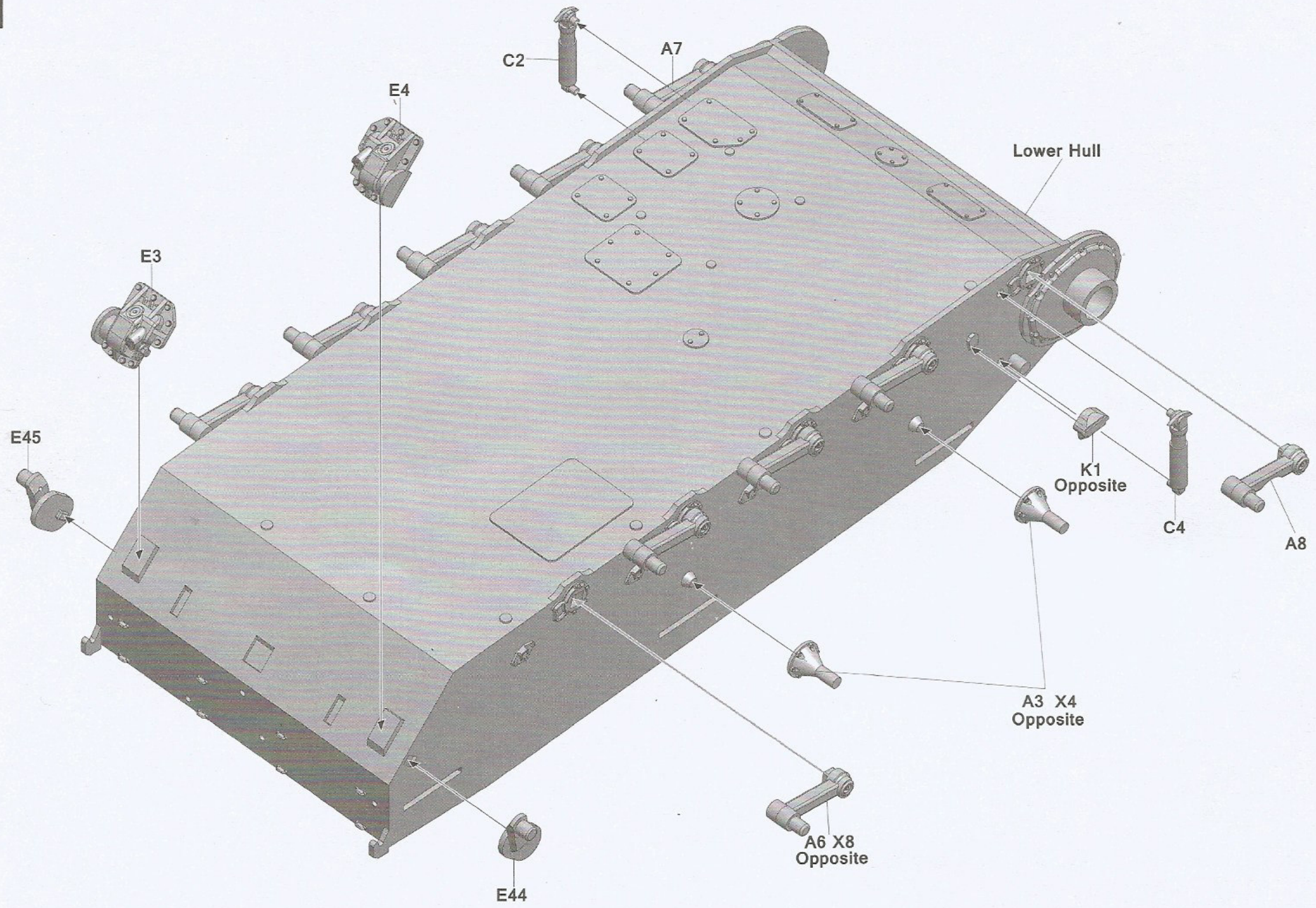
Turret



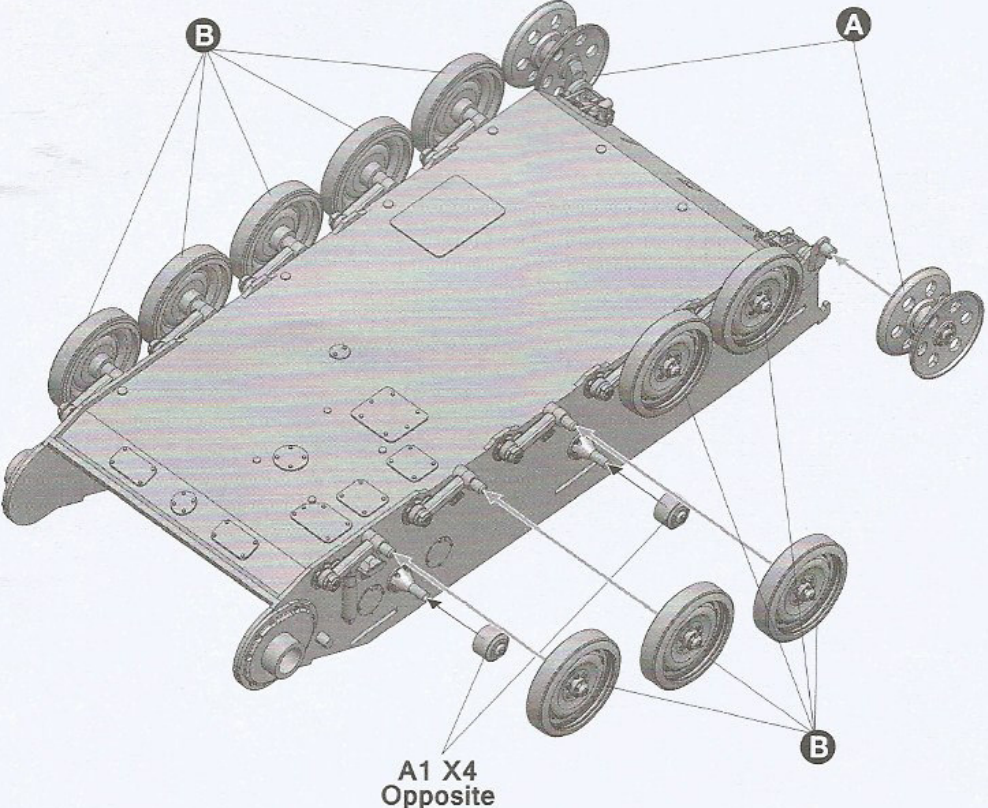
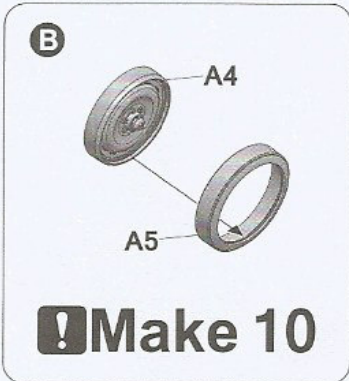
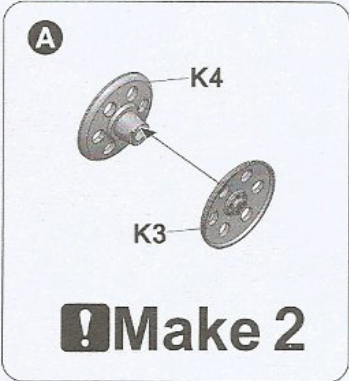
Lower Hull



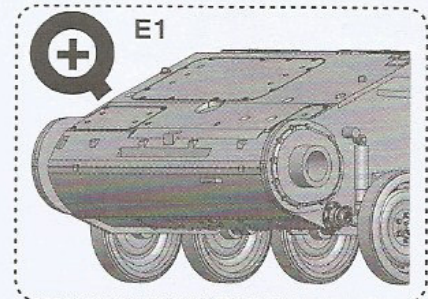
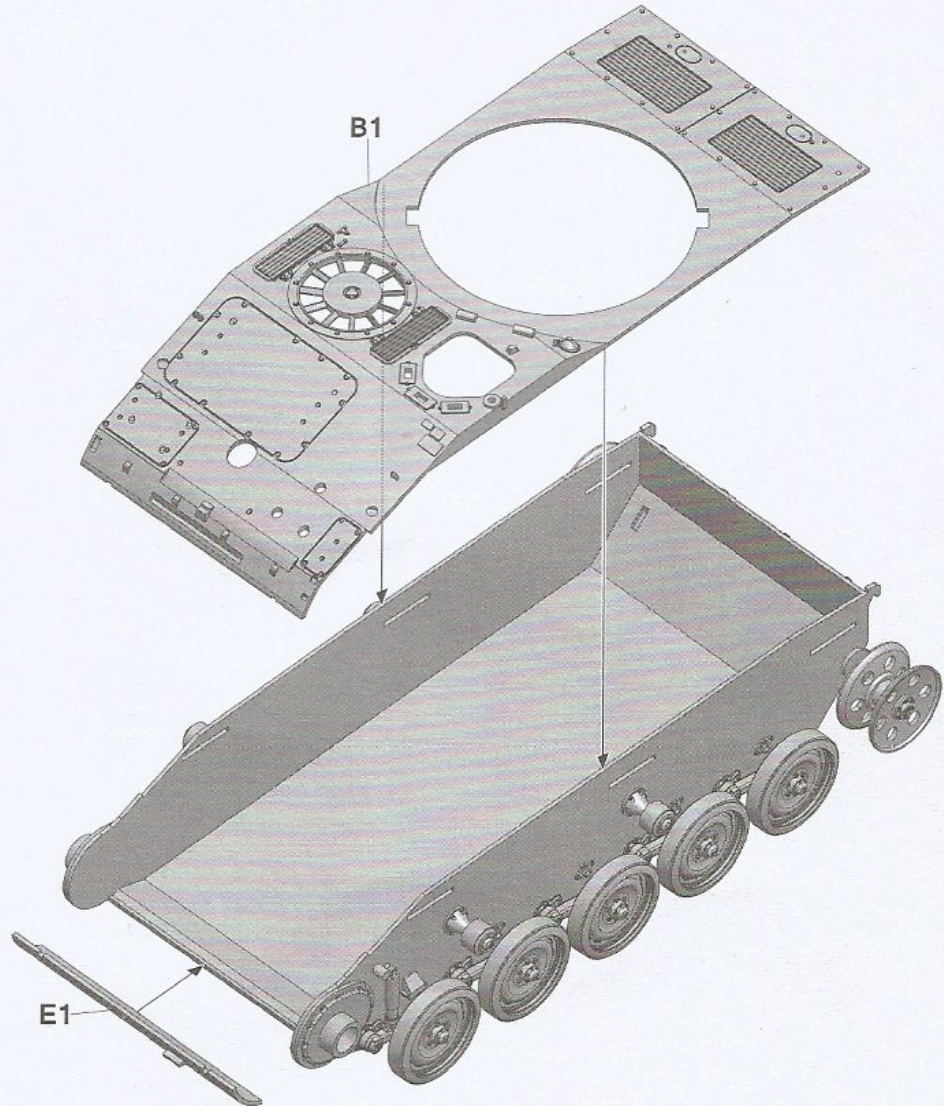
X10



2

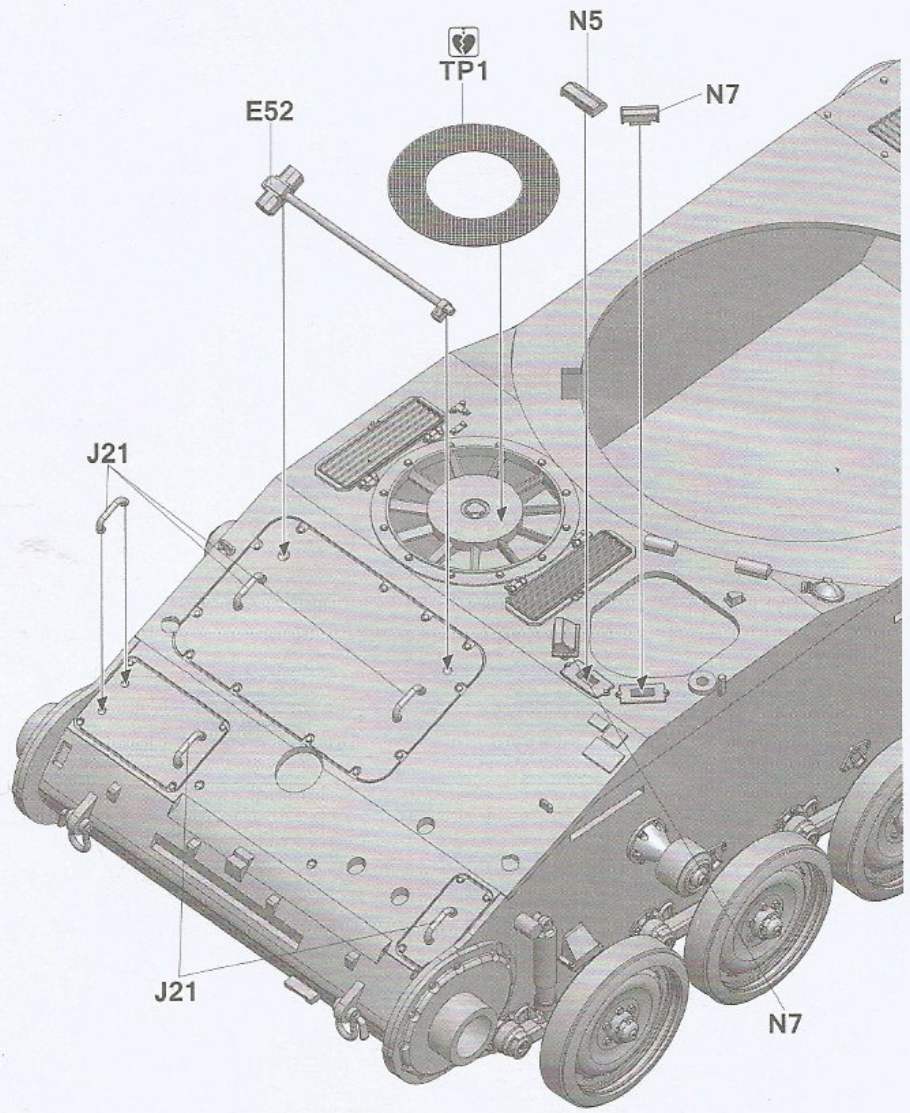


3

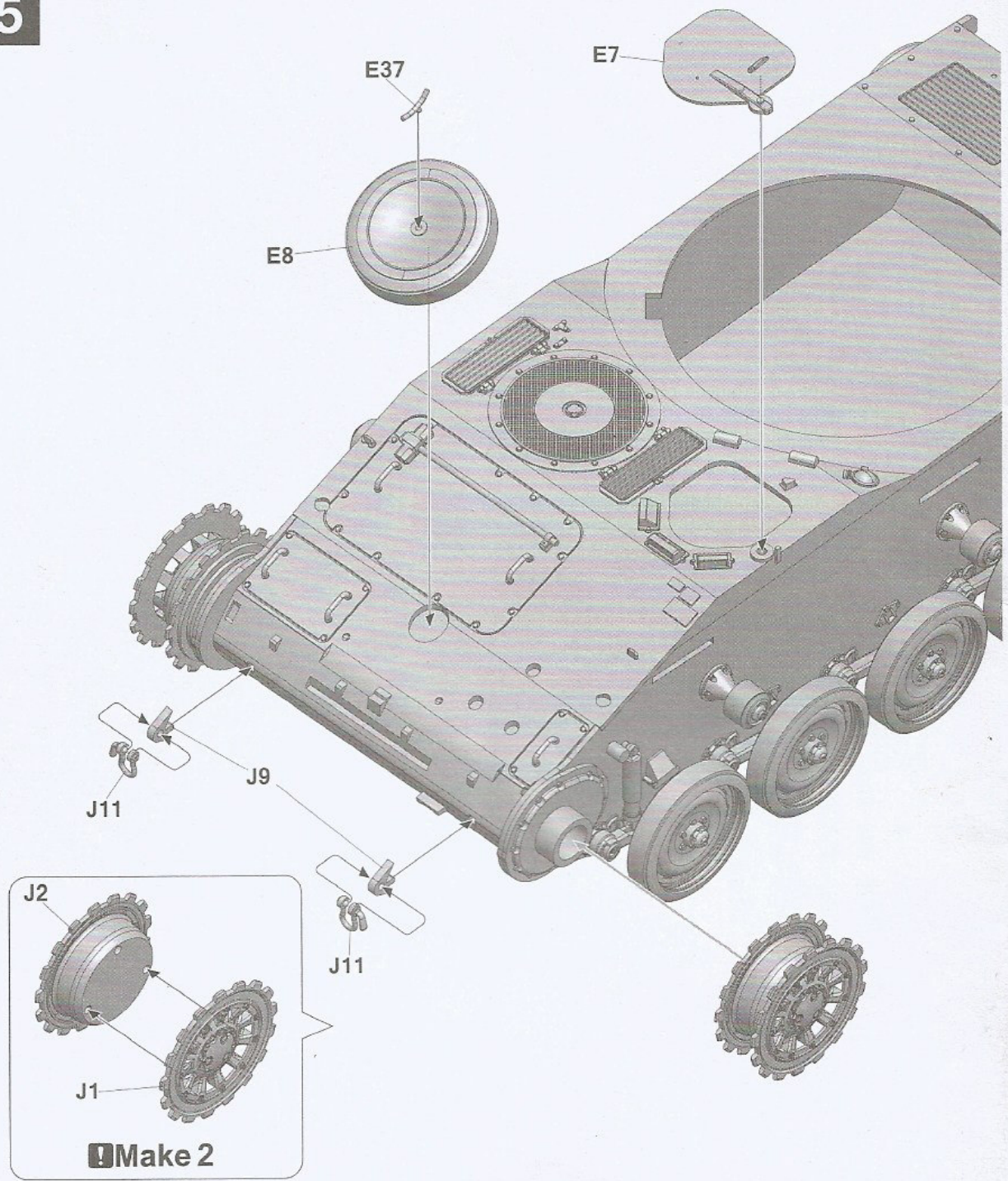


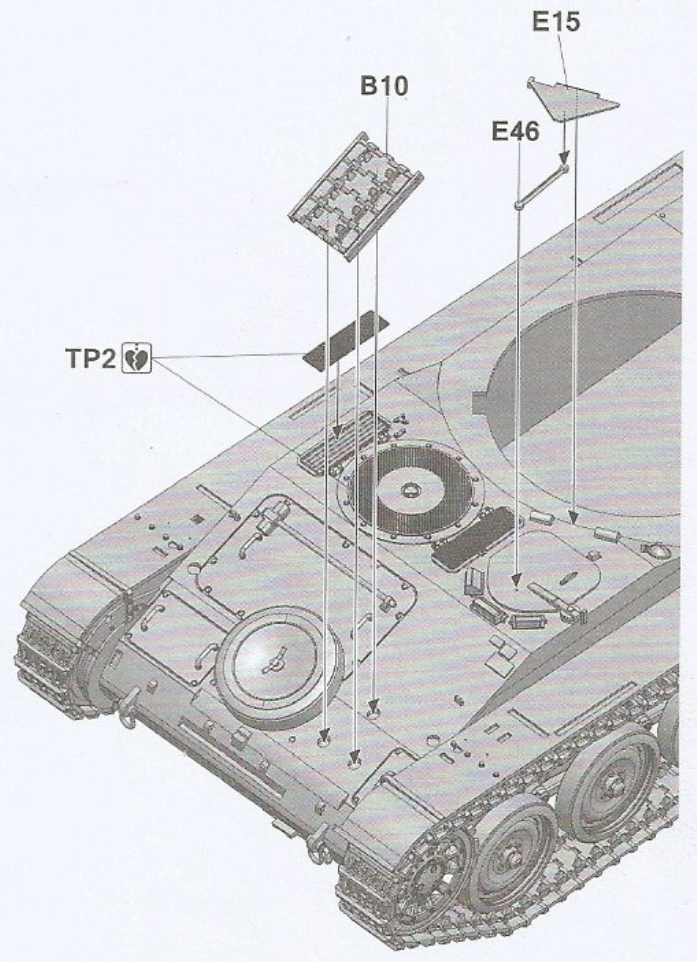
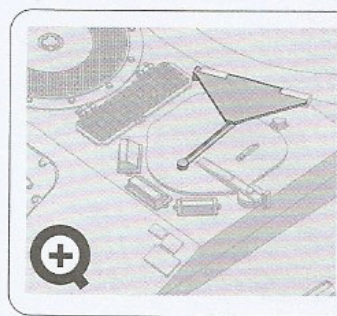
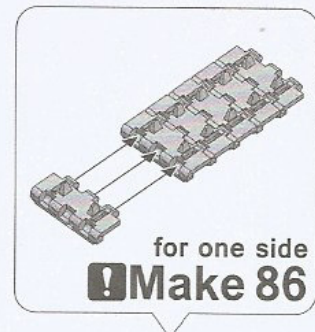
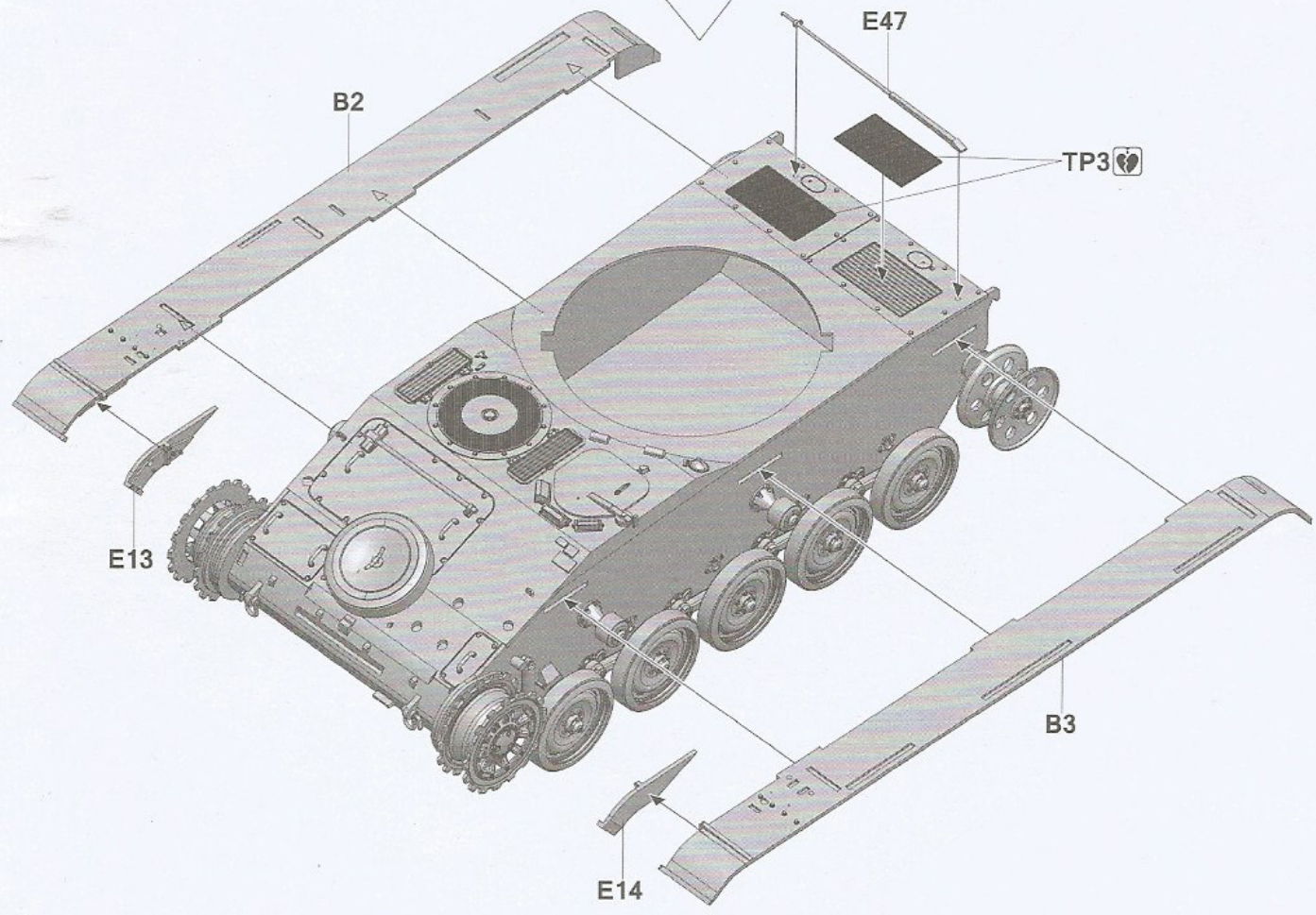
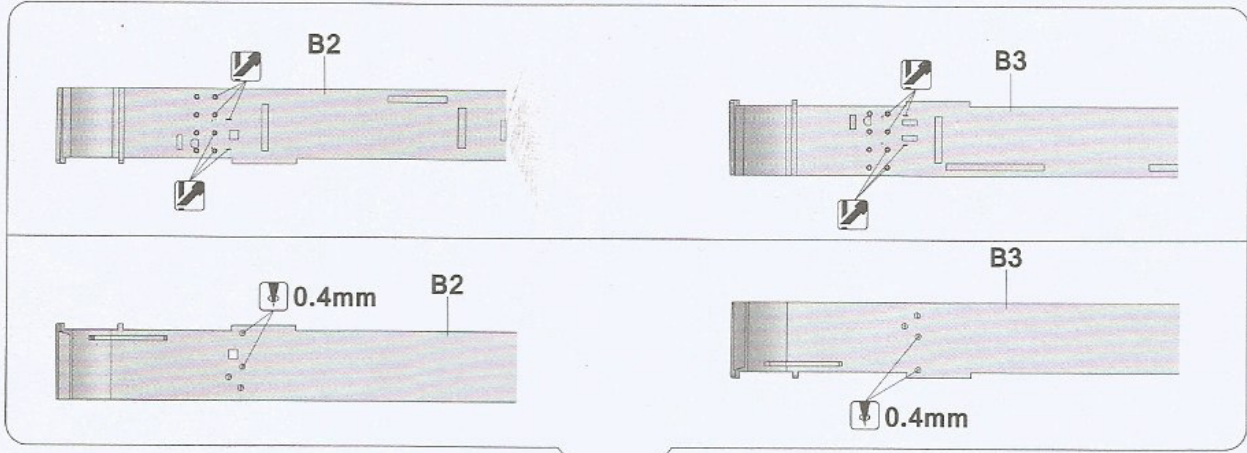
4

4

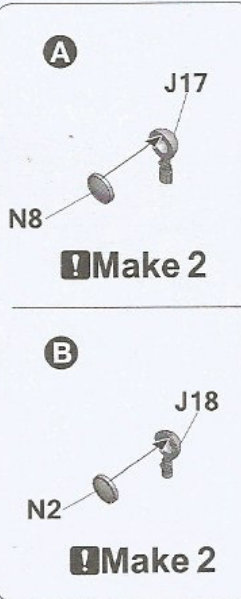
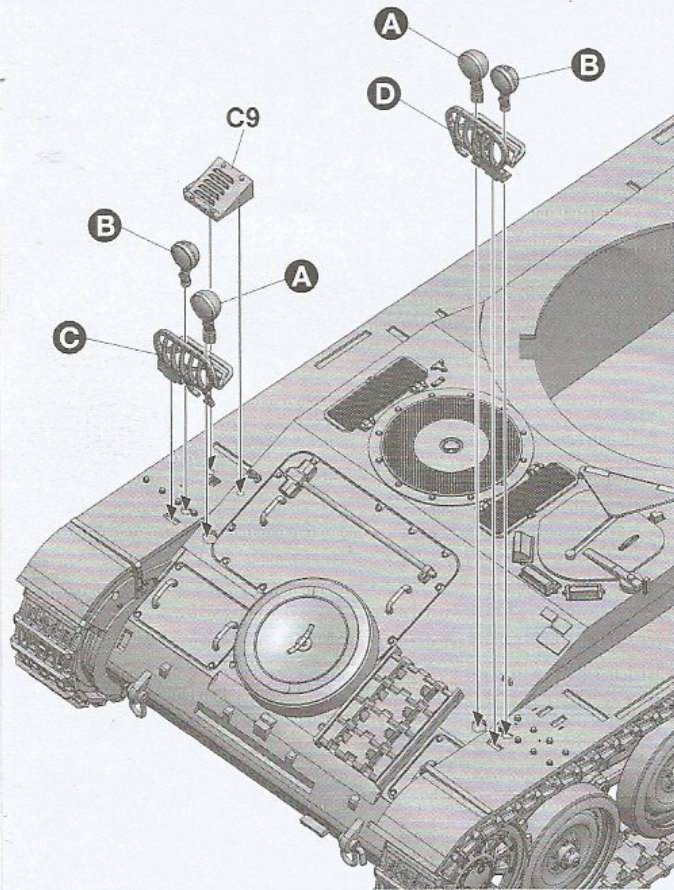
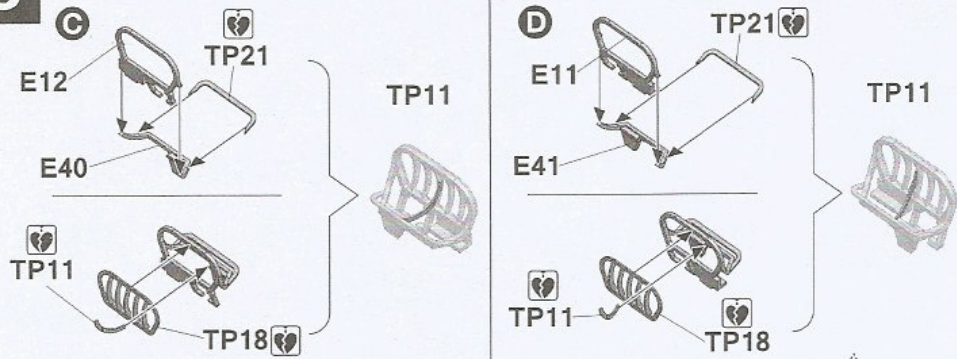


5

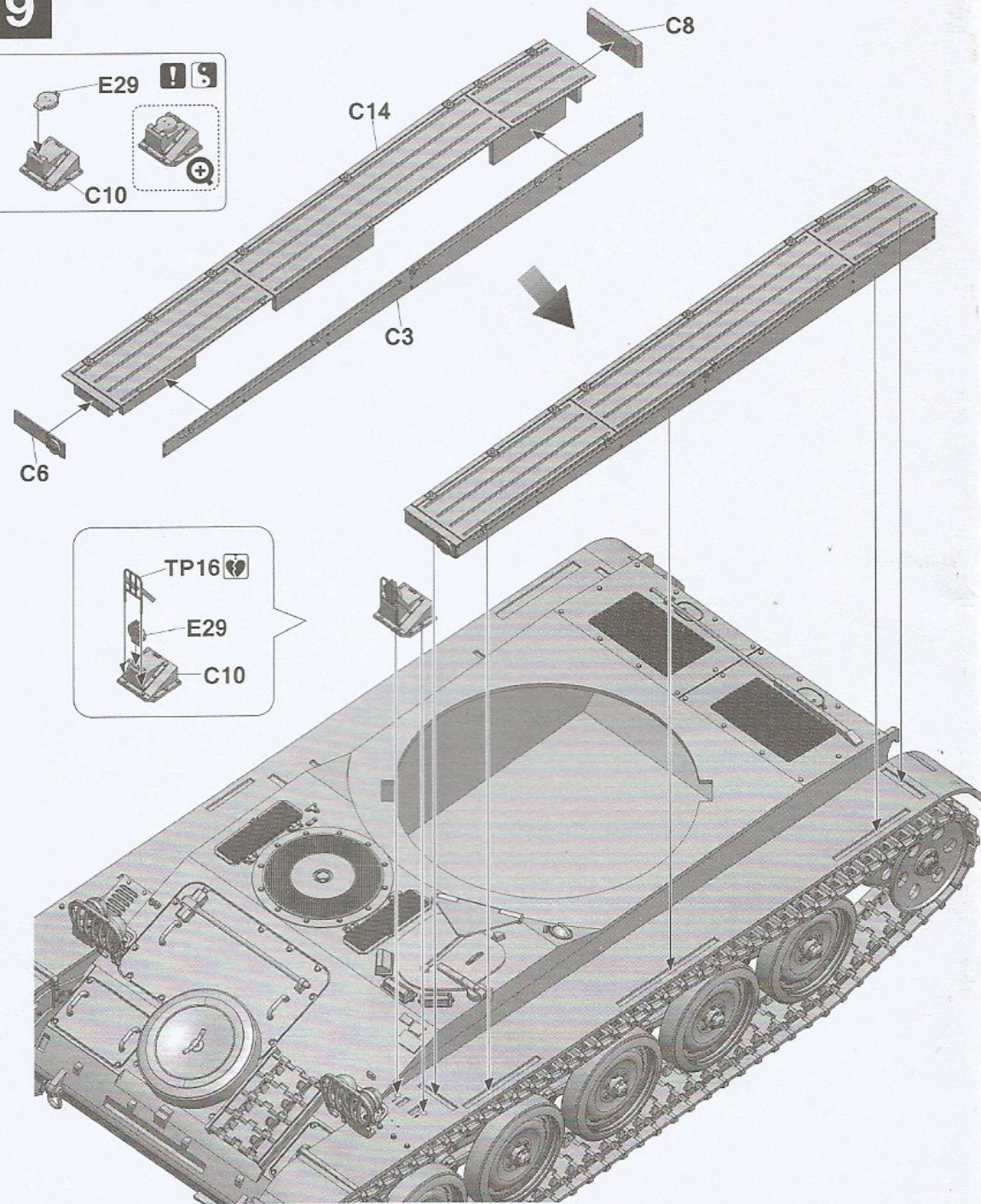




8

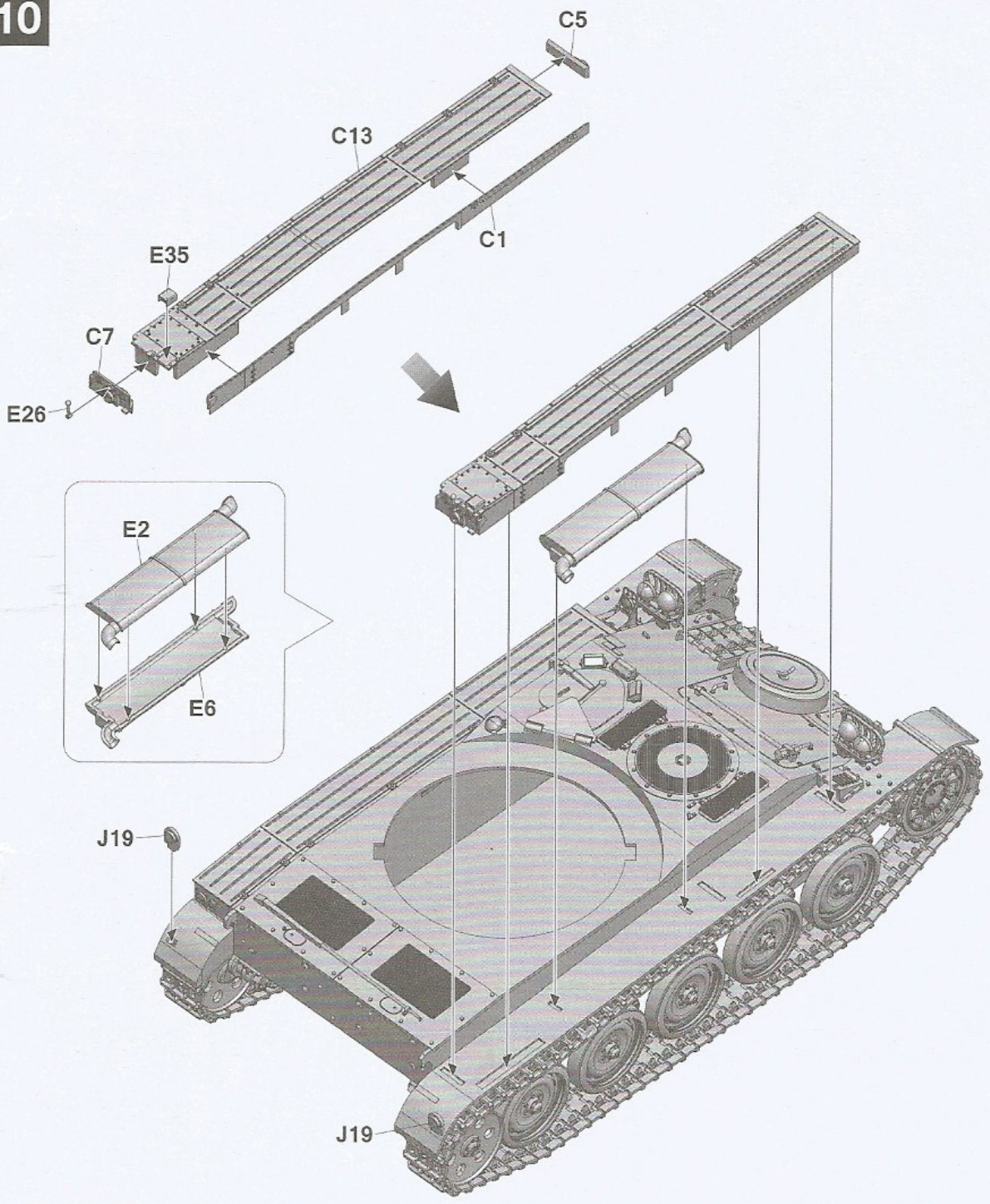


9

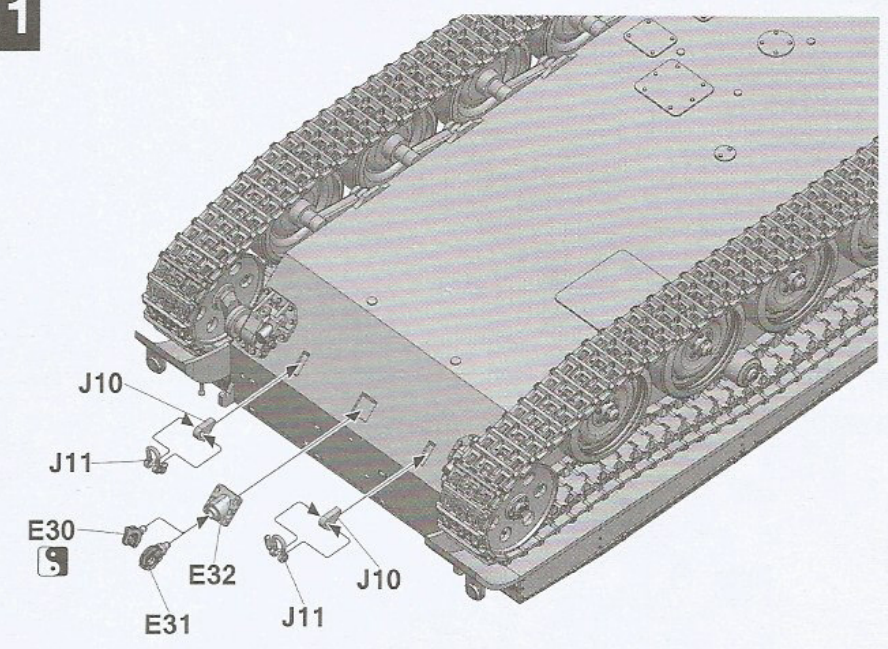




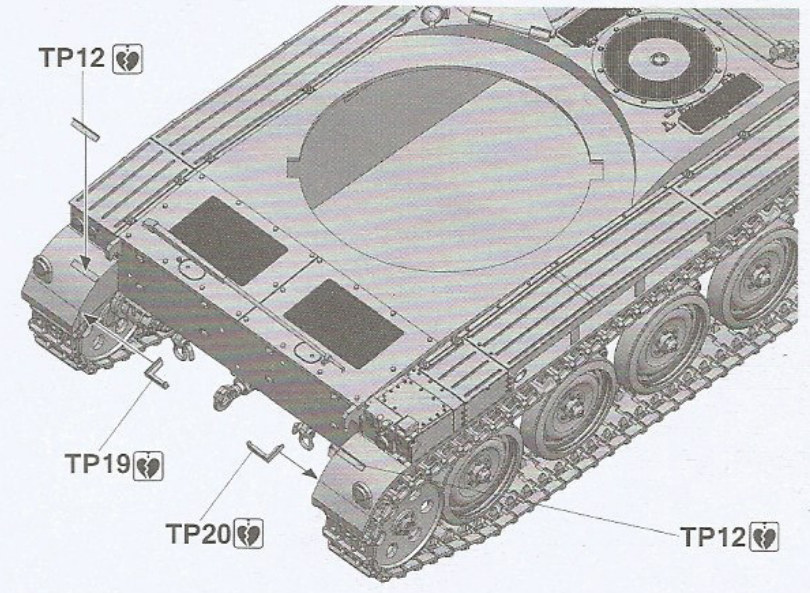
10



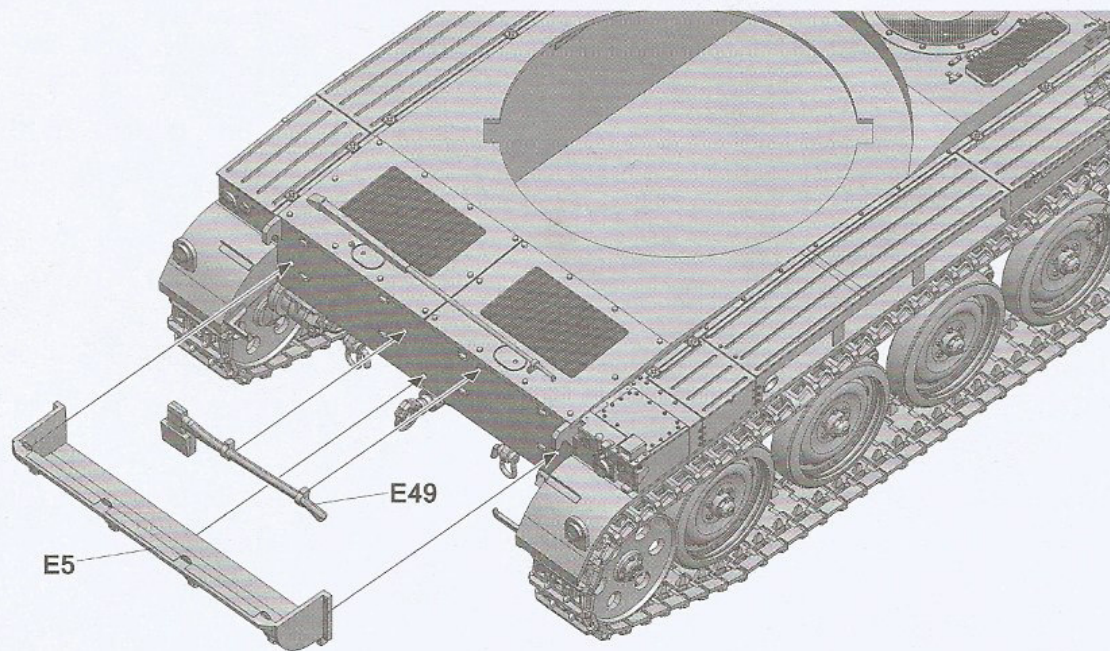
11



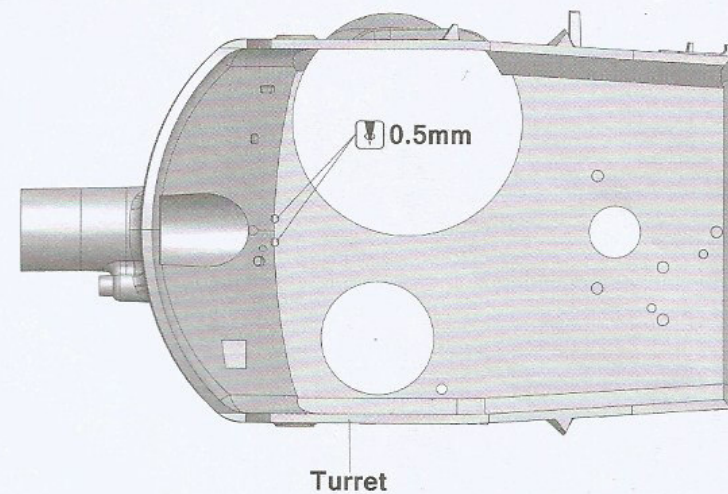
12



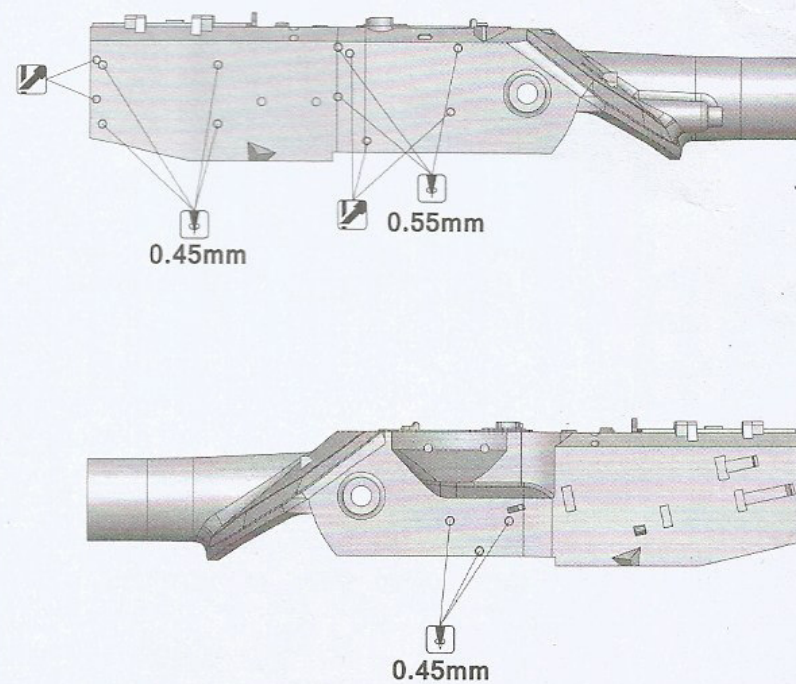
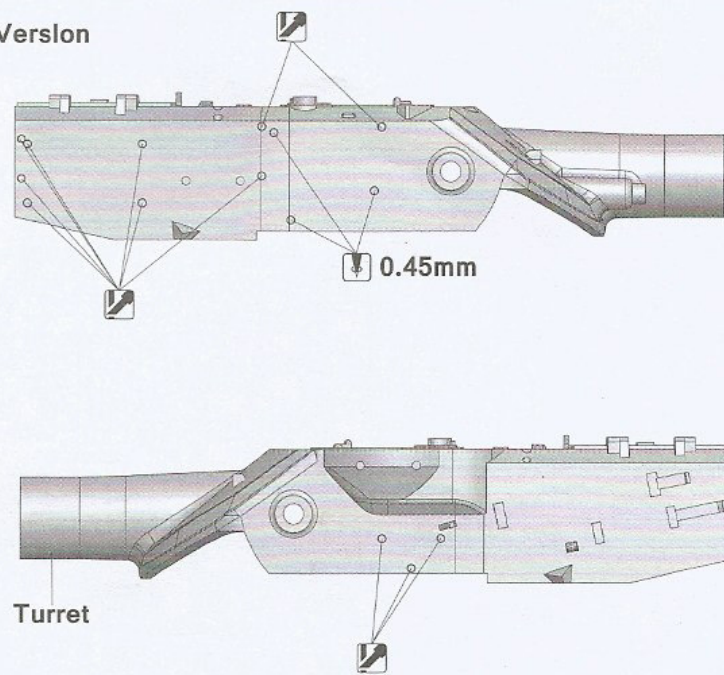
13



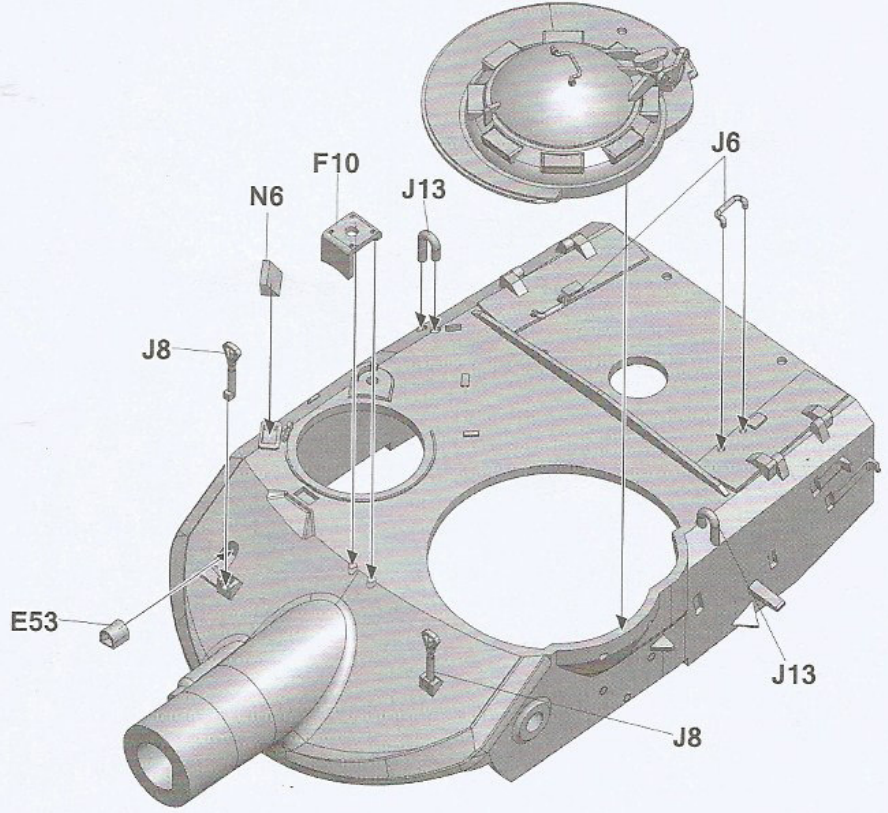
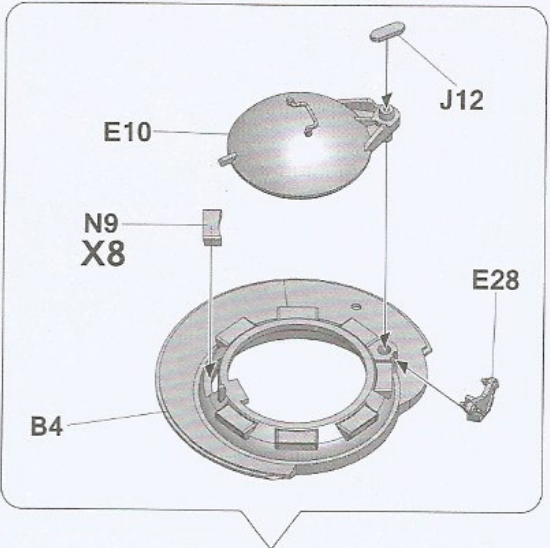
14-1 IDF Version



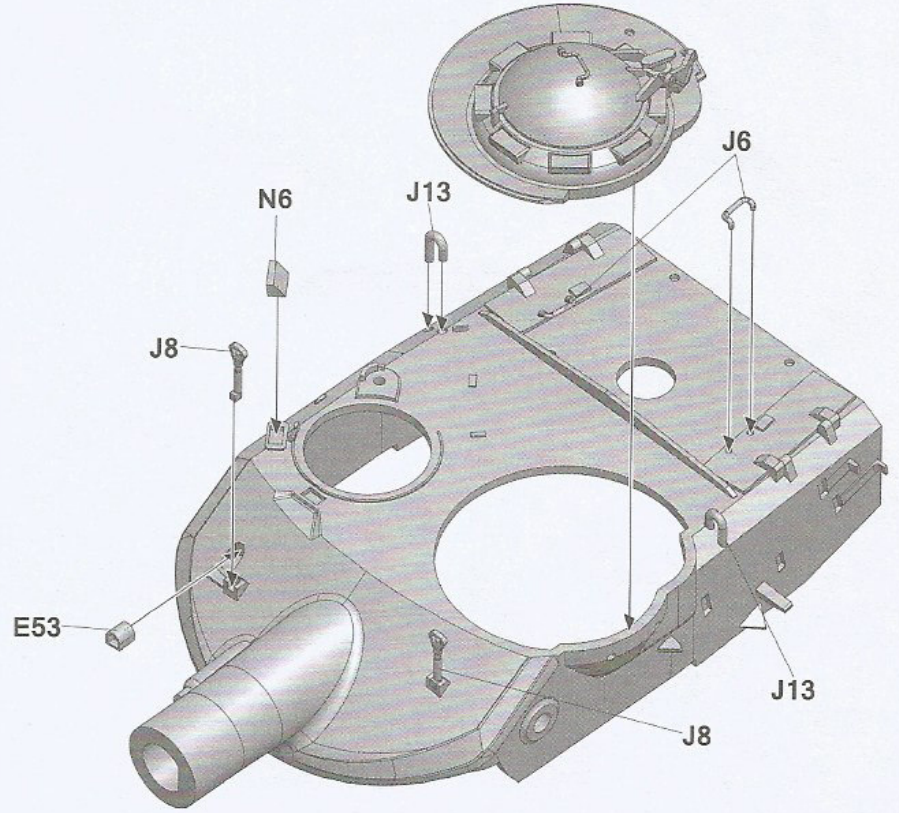
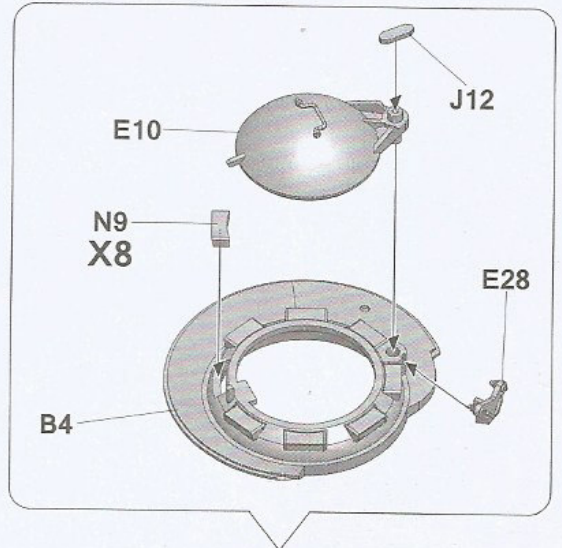
14-2 Standard Version



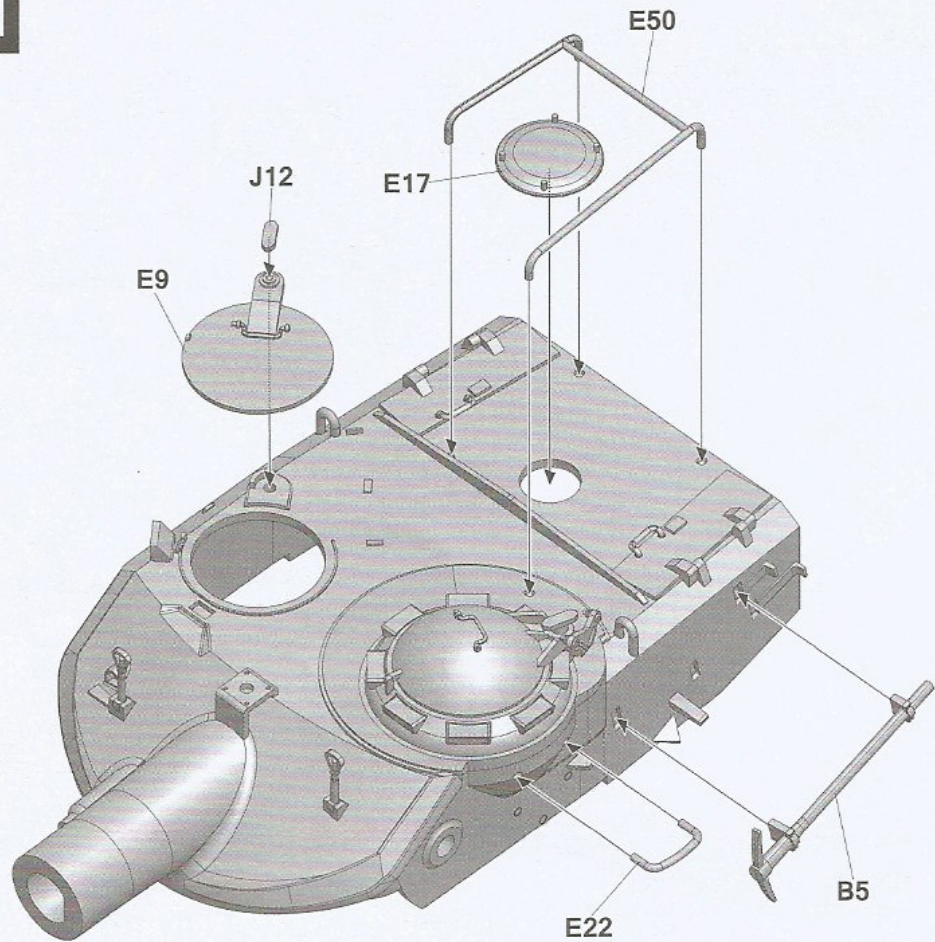
15-1



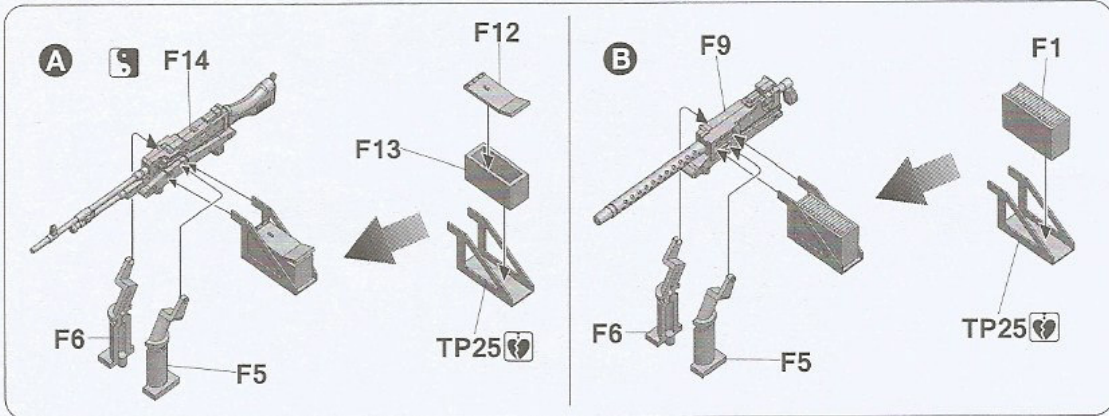
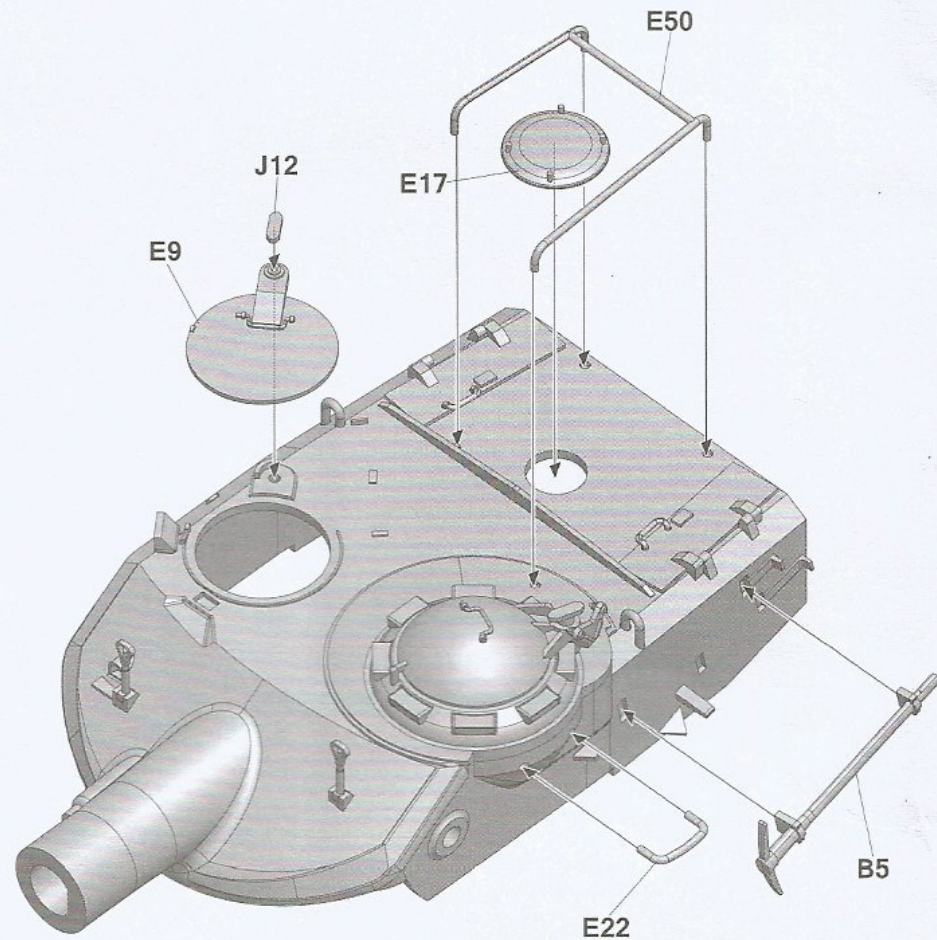
15-2



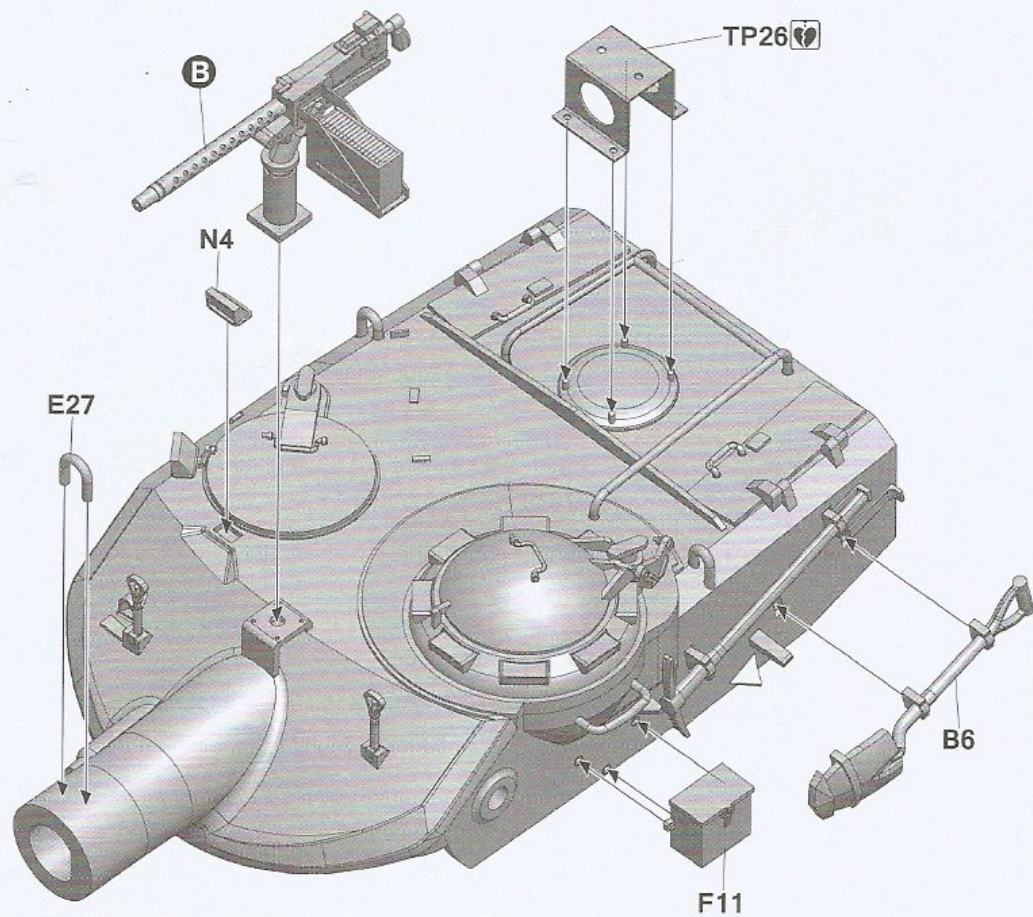
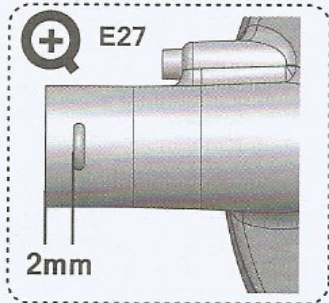
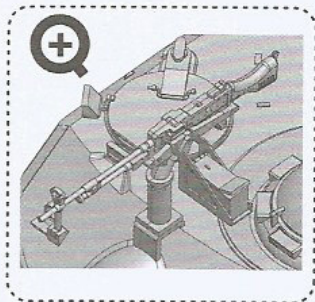
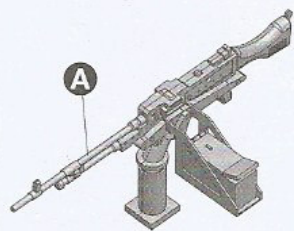
16-1



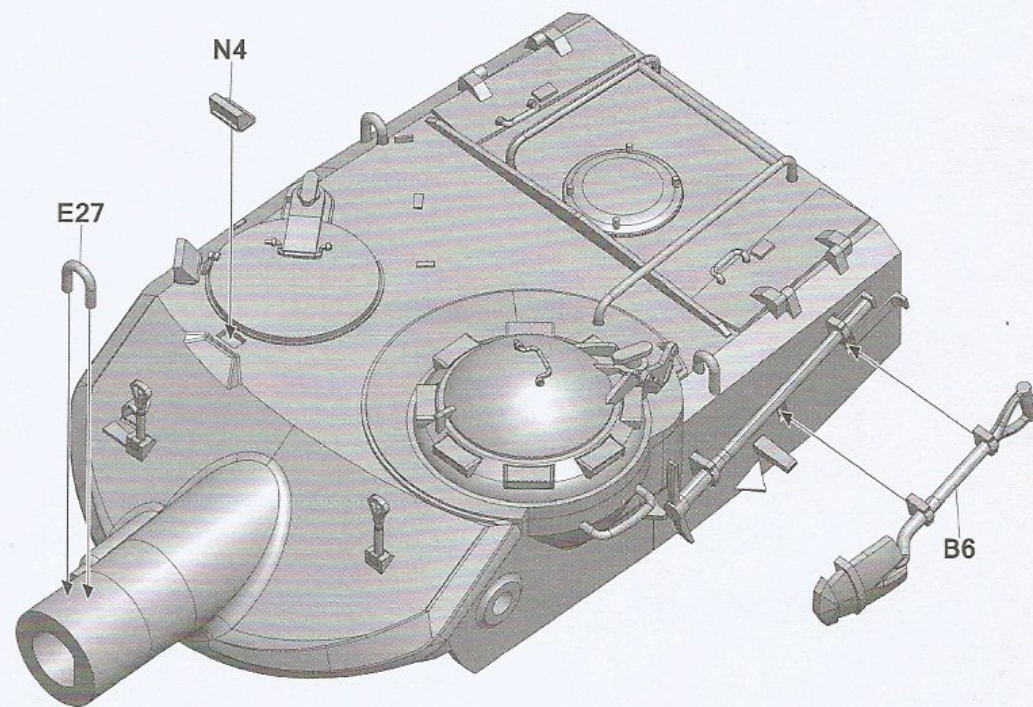
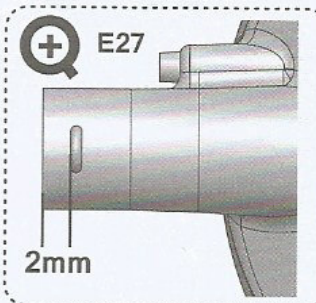
16-2



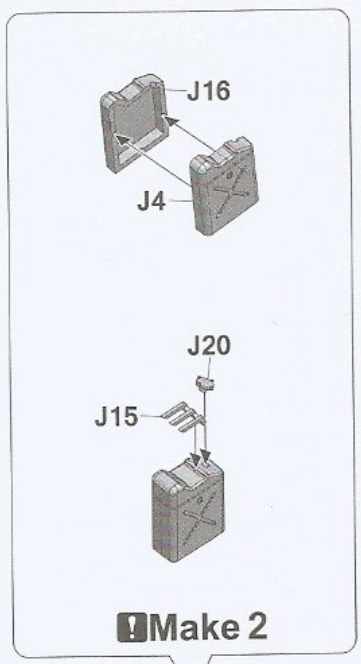
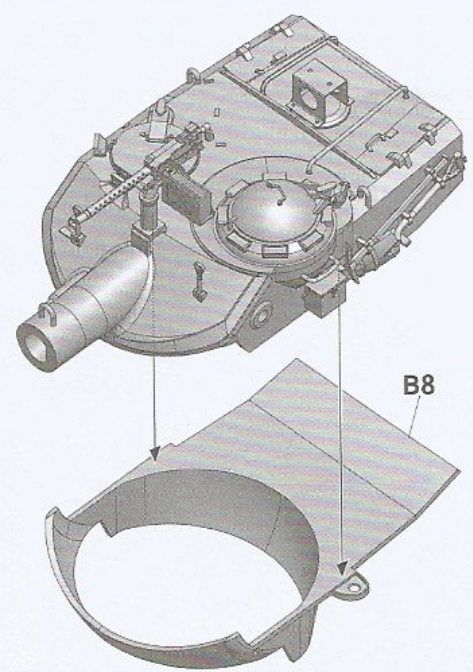
17-1



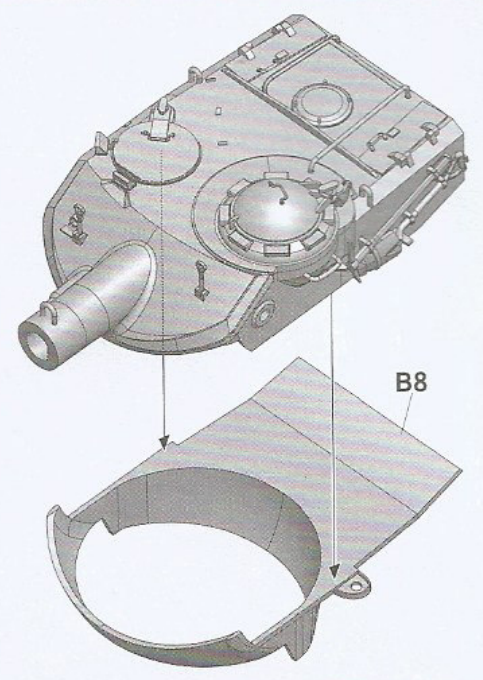
17-2



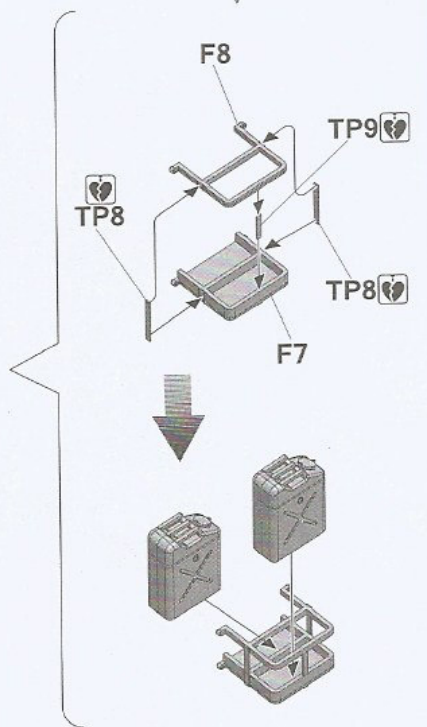
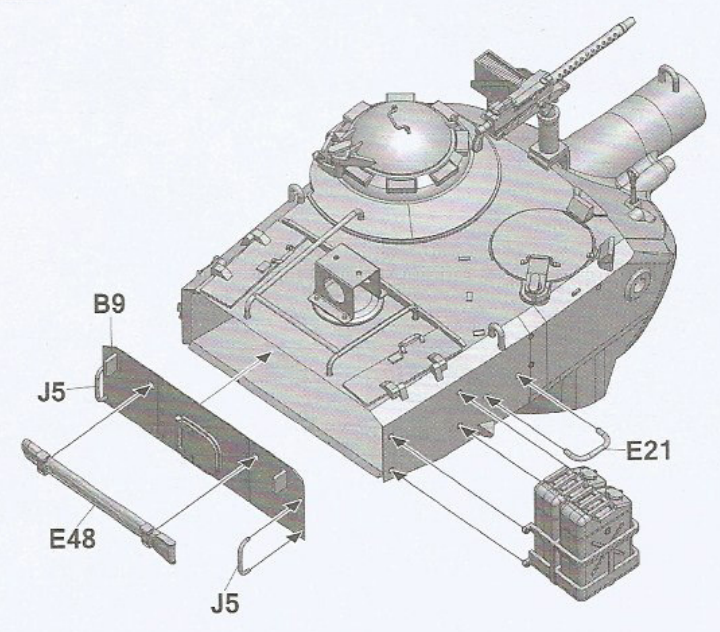
18-1



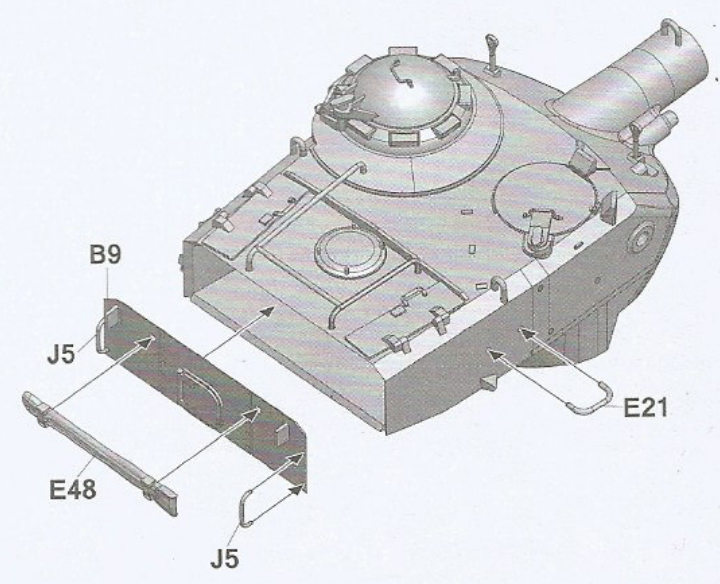
18-2



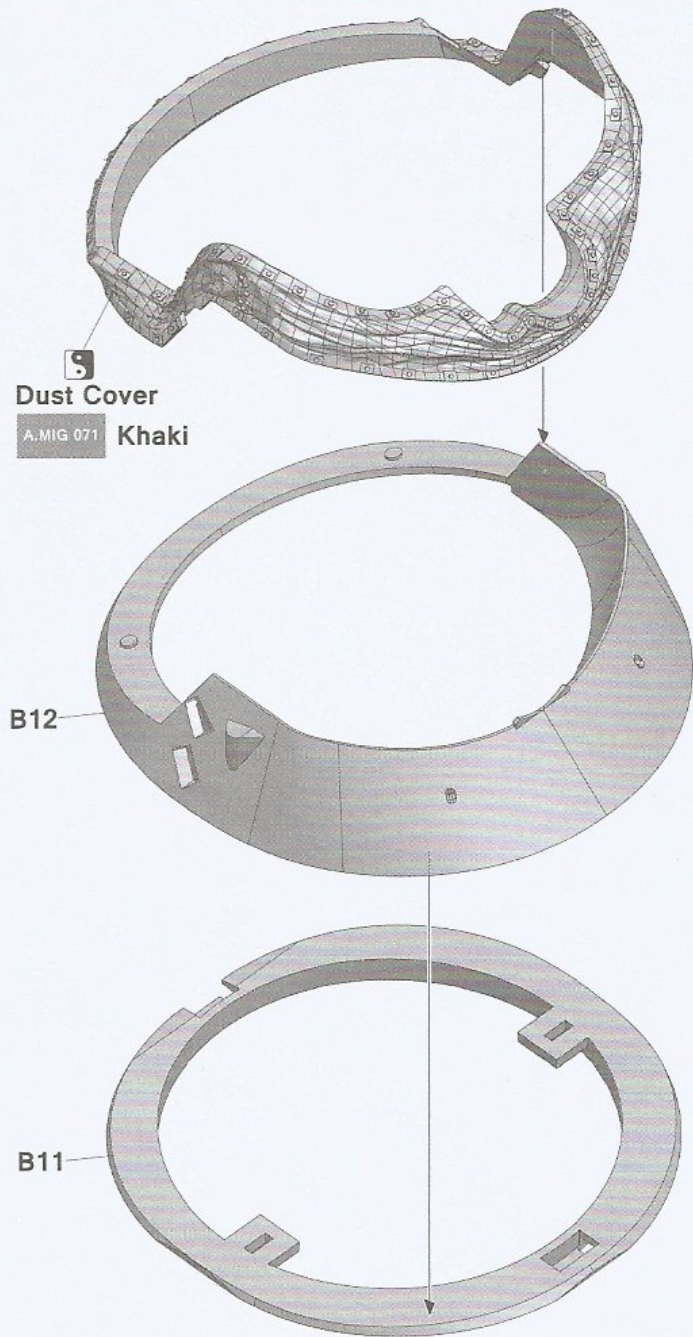
19-1



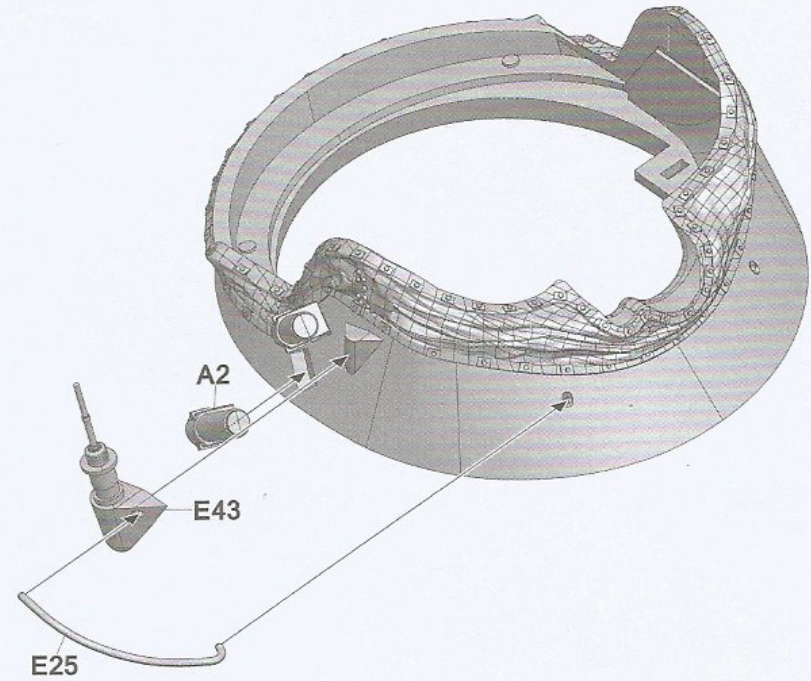
19-2



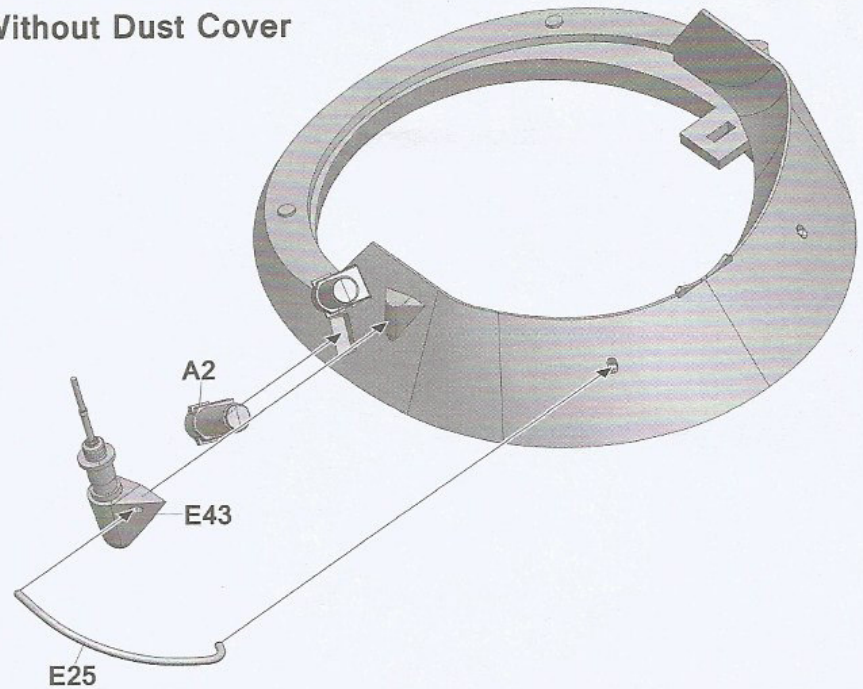
**20** with Dust Cover



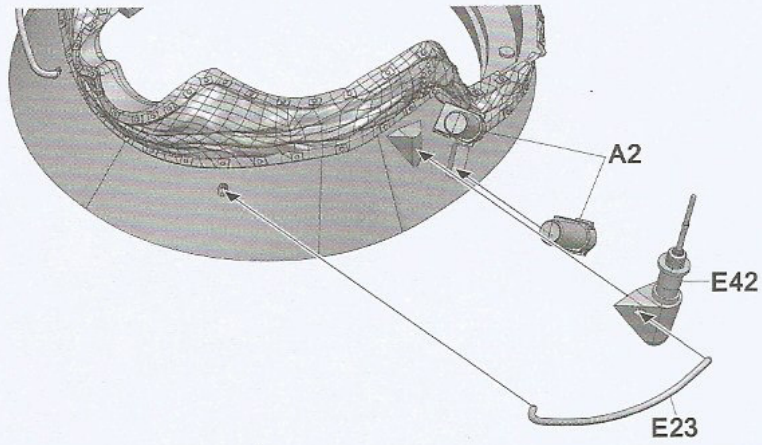
**21-1**



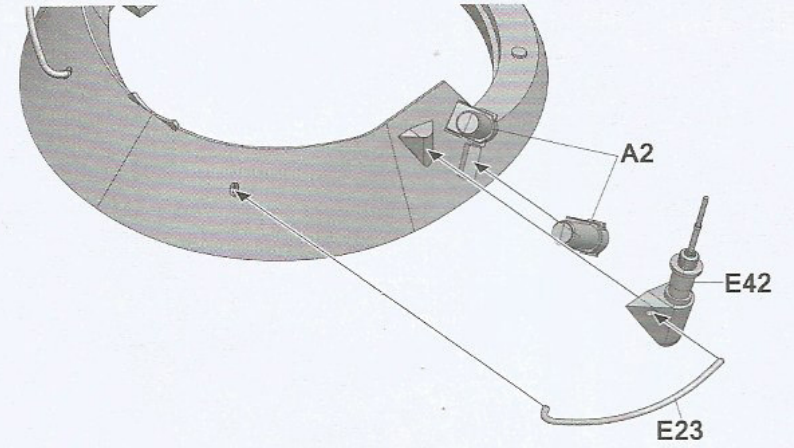
**21-2** Without Dust Cover



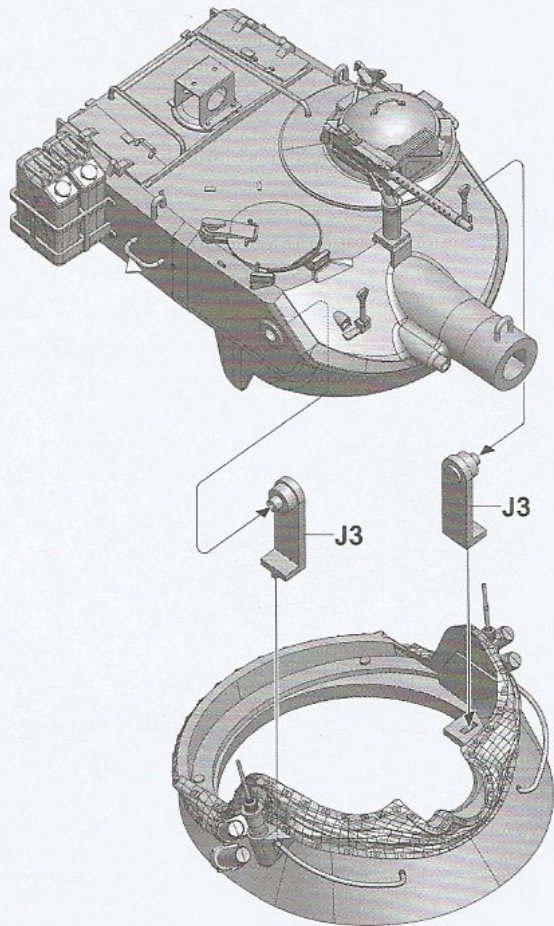
1 22-1



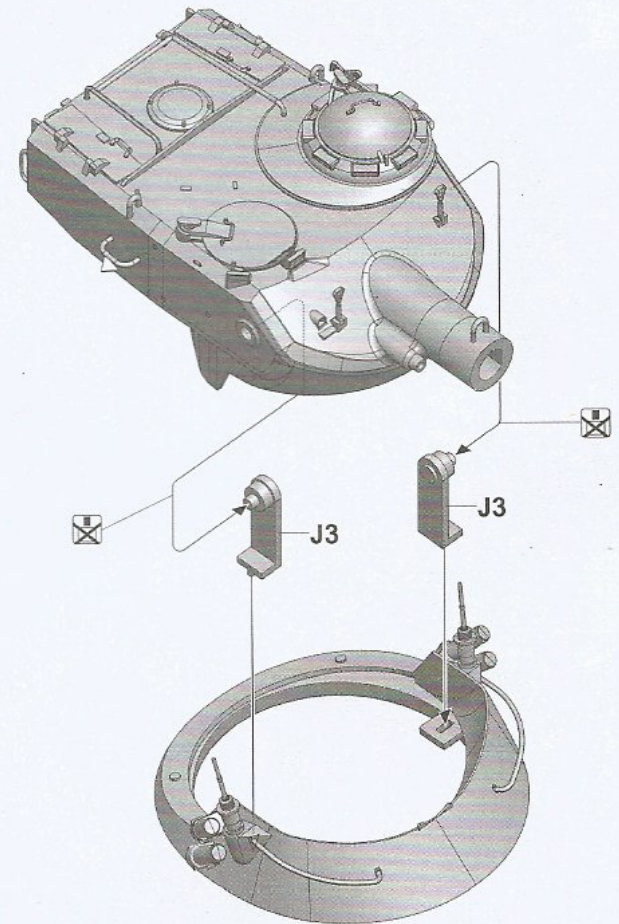
22-2



23-1

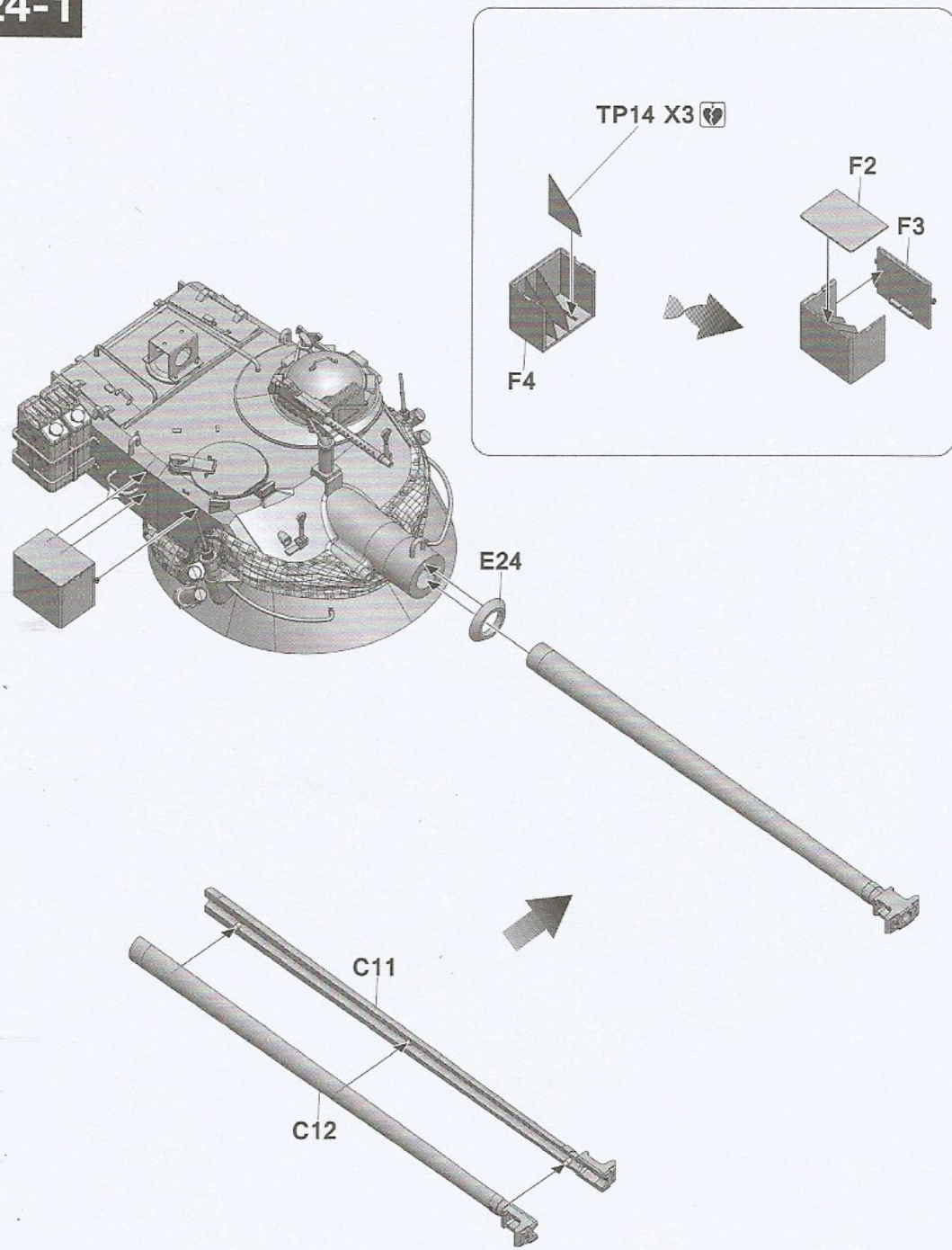


23-2

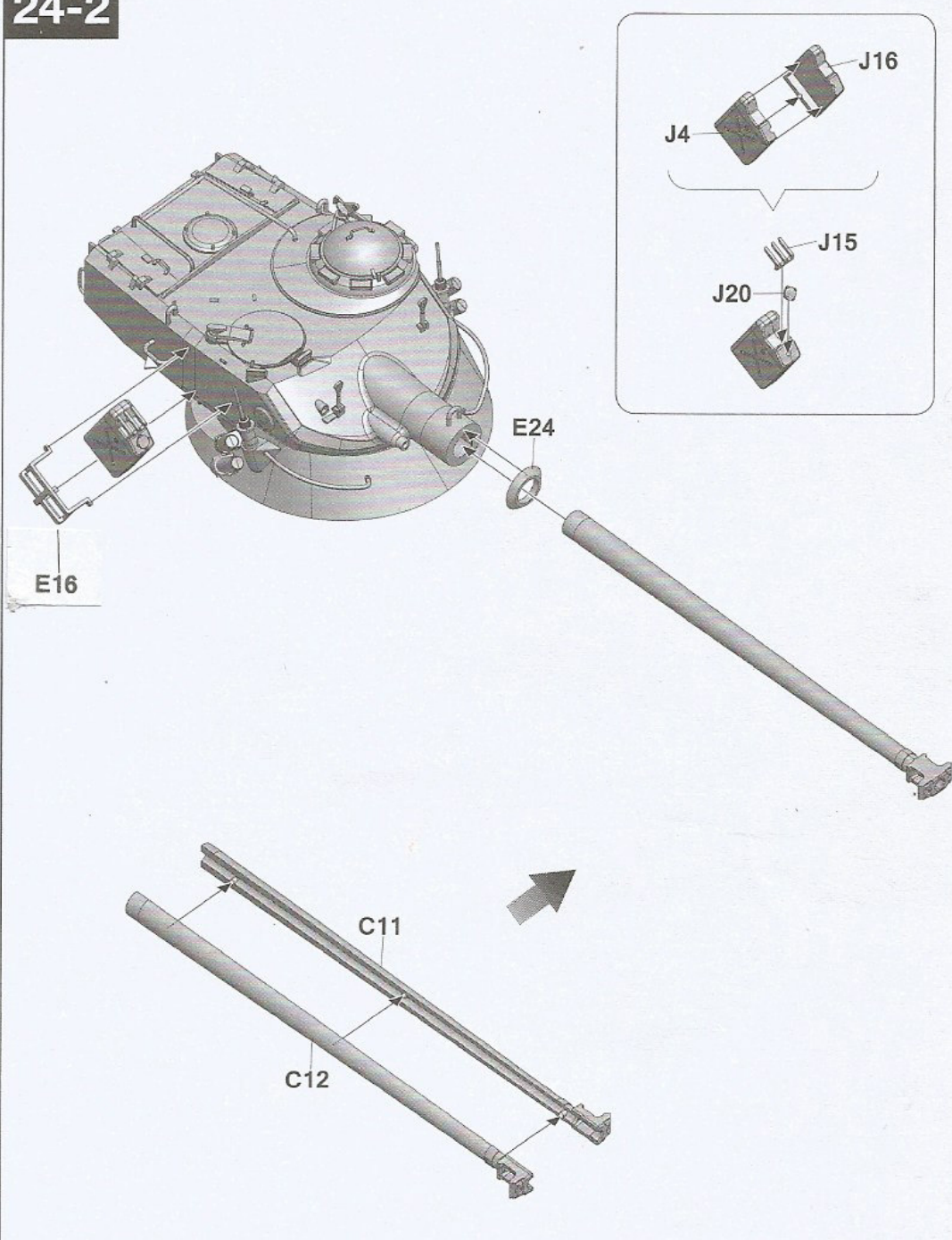




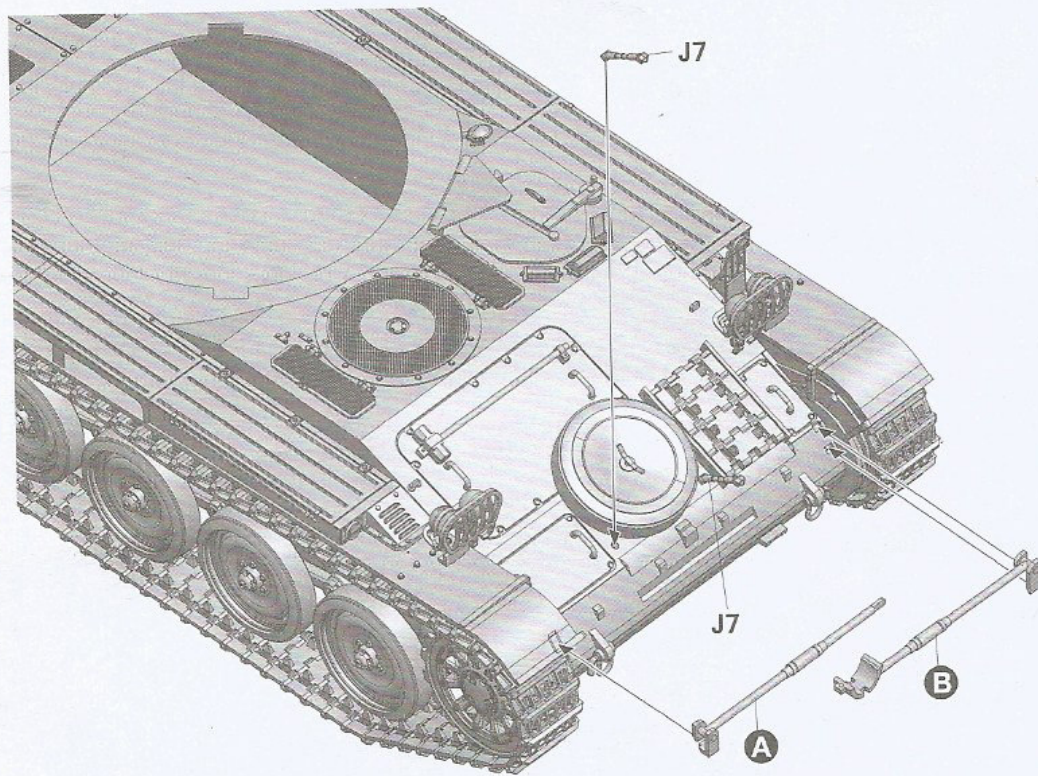
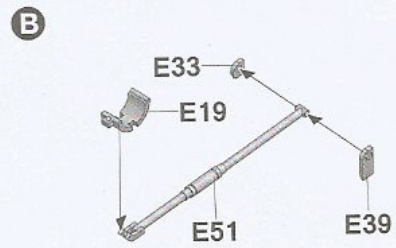
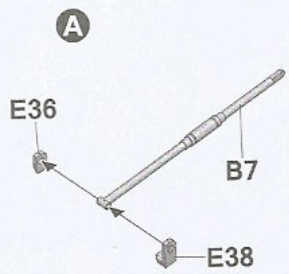
24-1



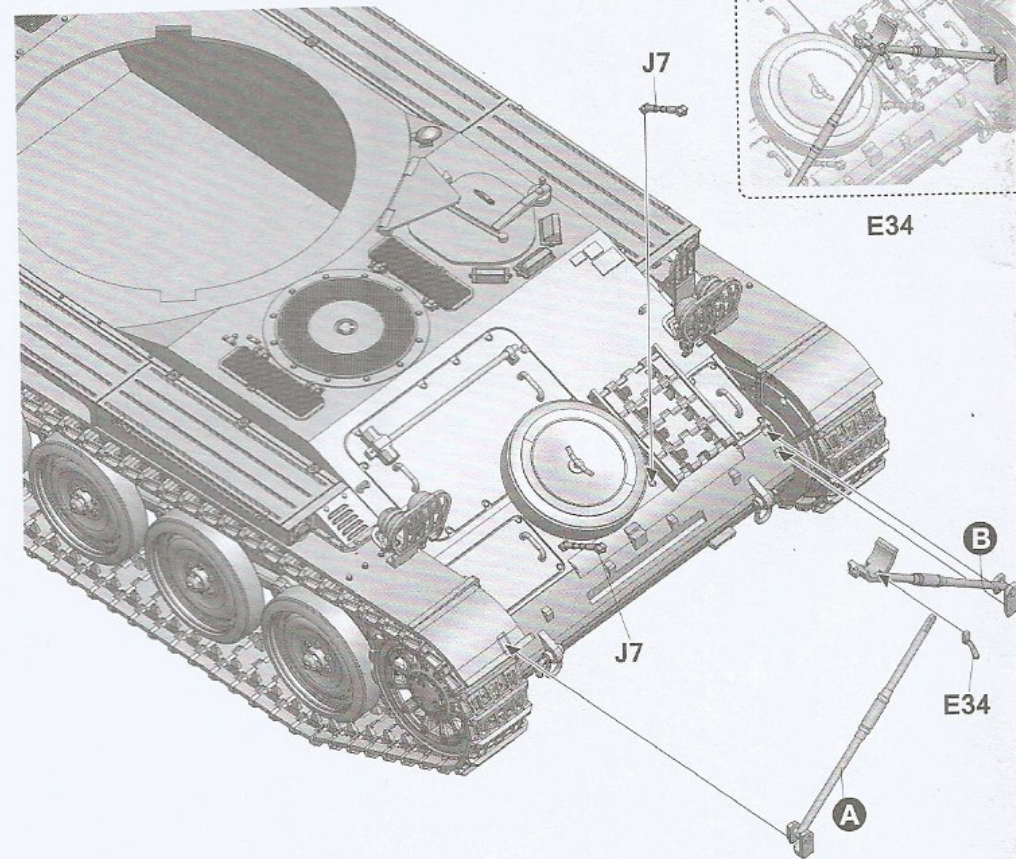
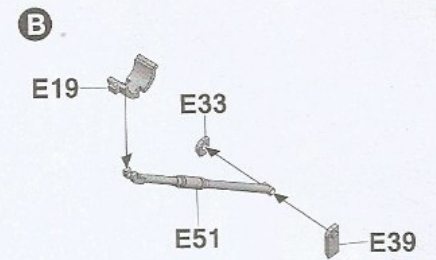
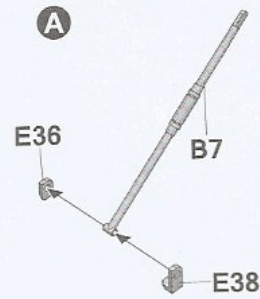
24-2



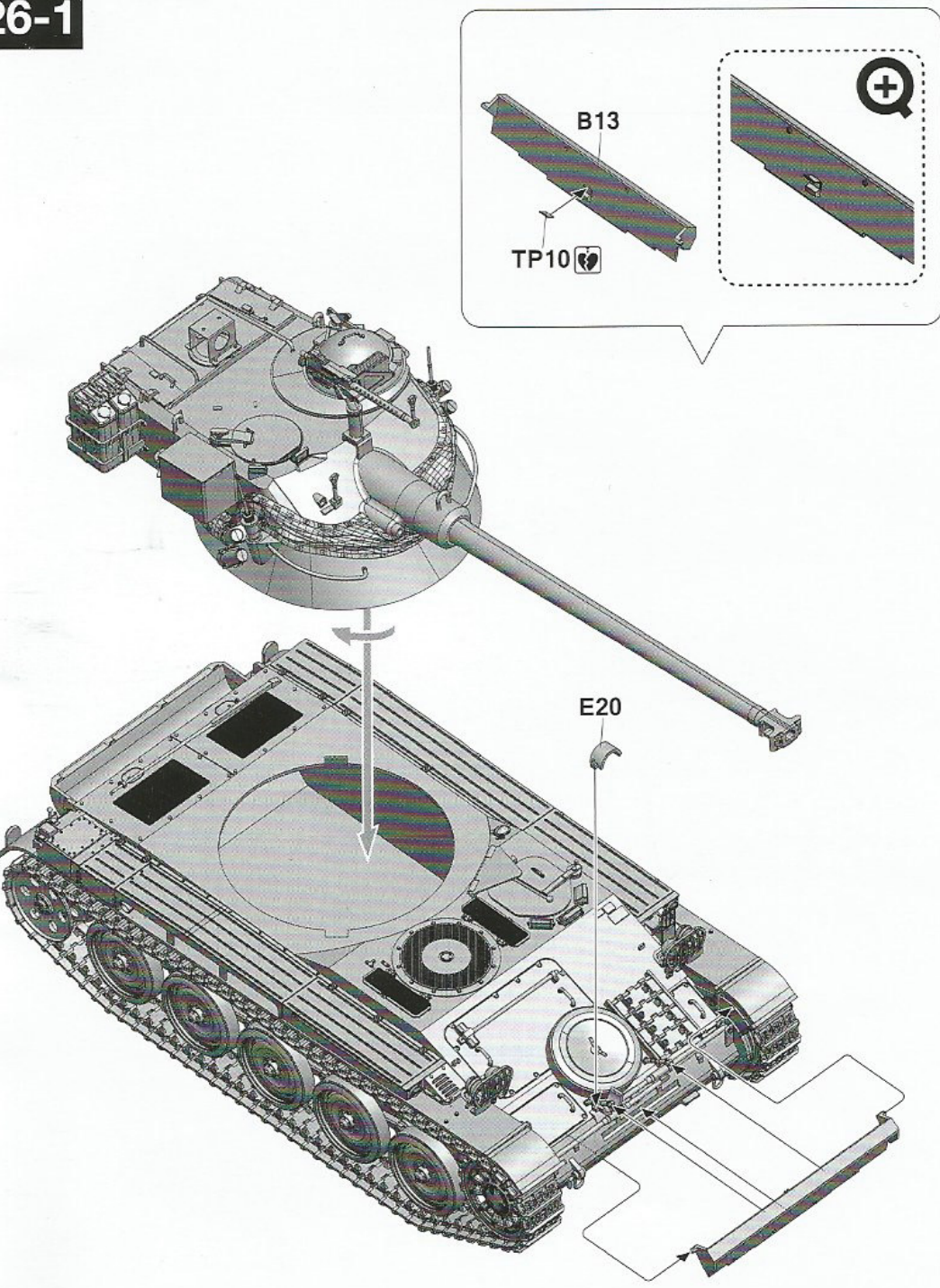
# 25-1



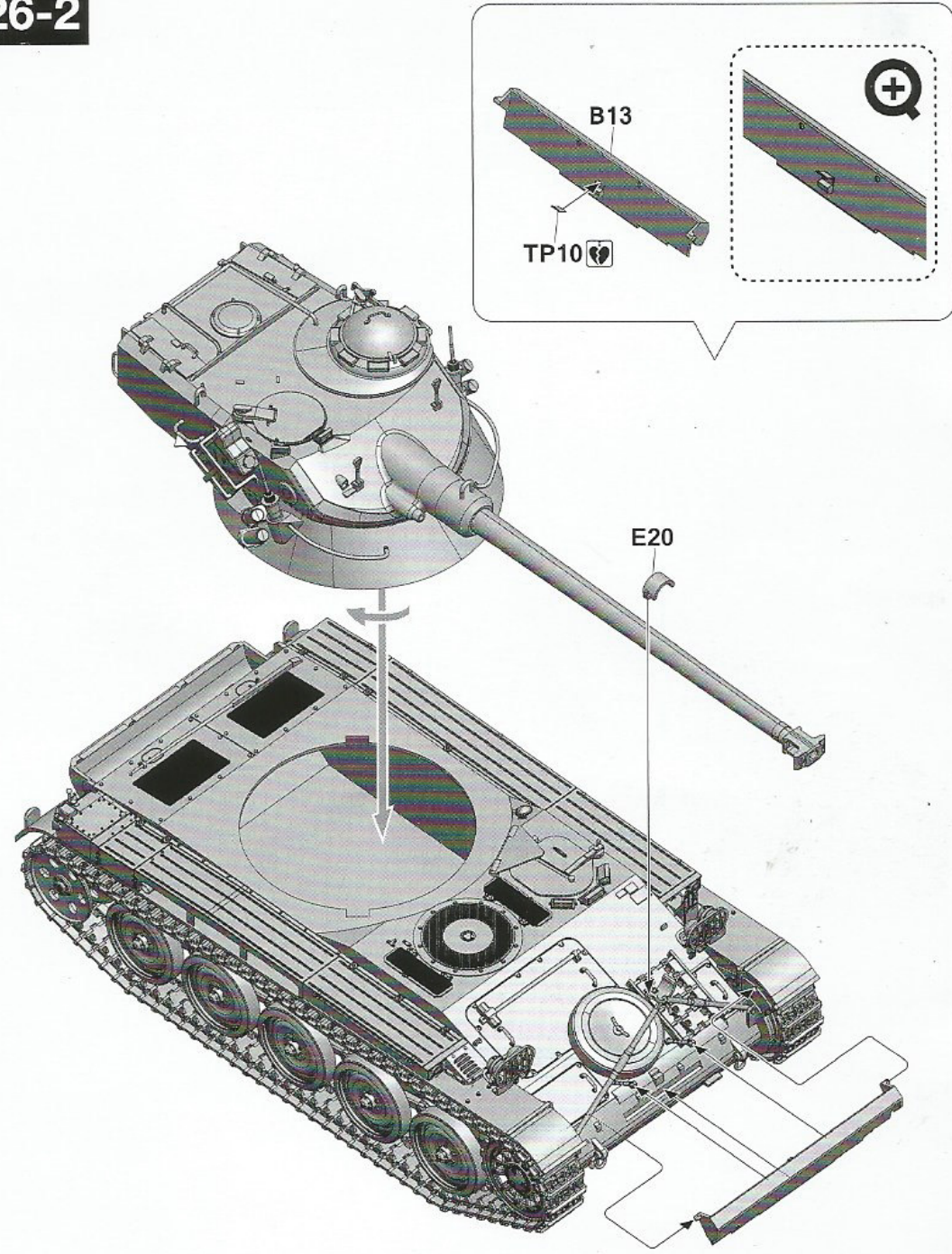
# 25-2



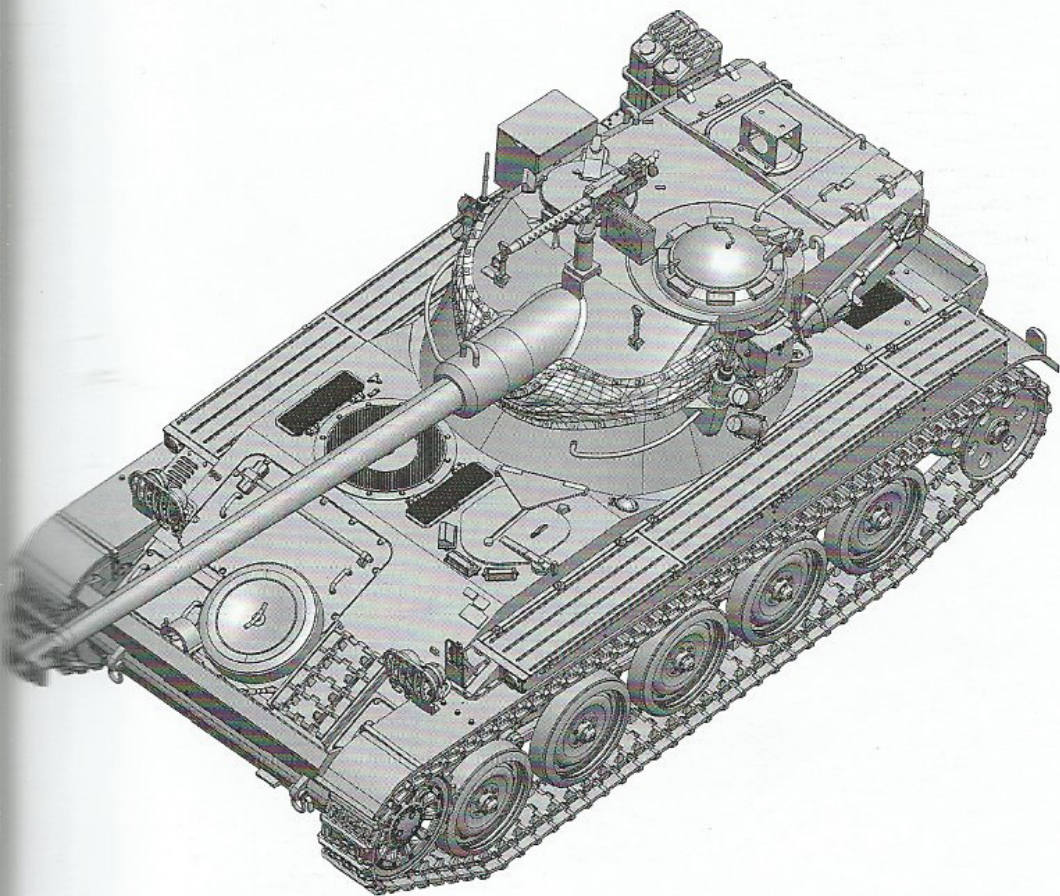
26-1



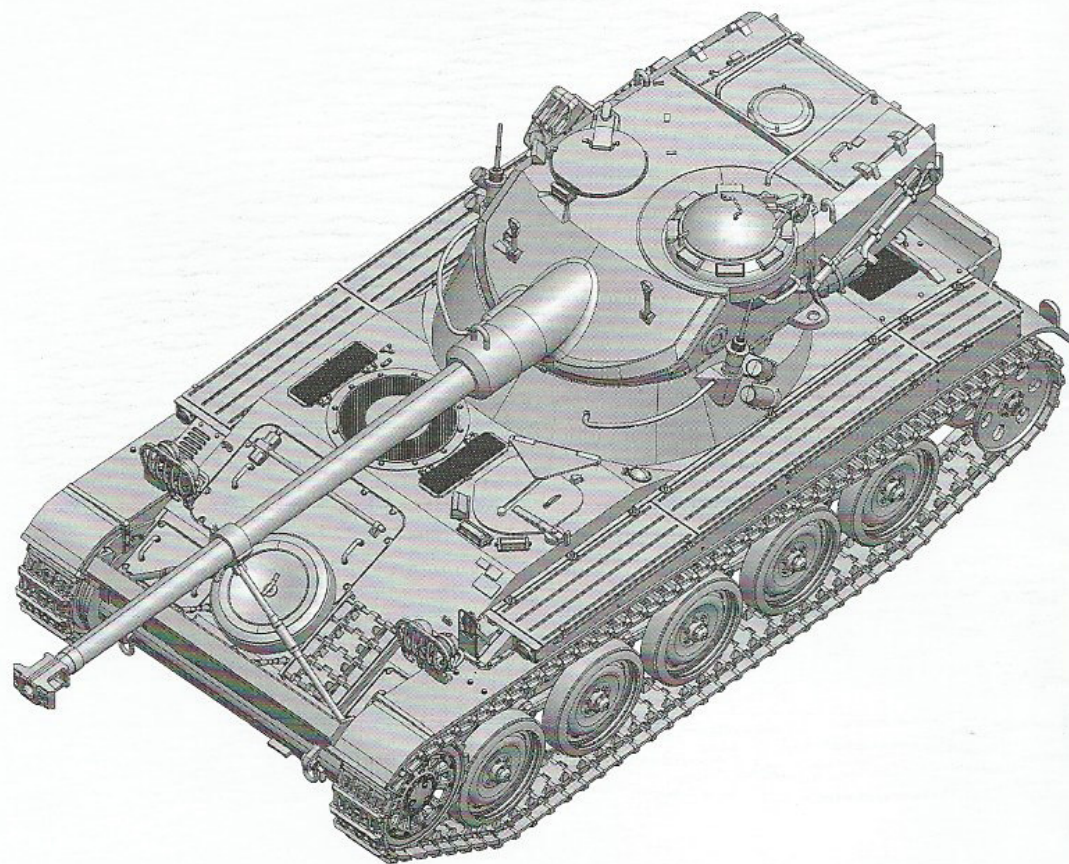
26-2



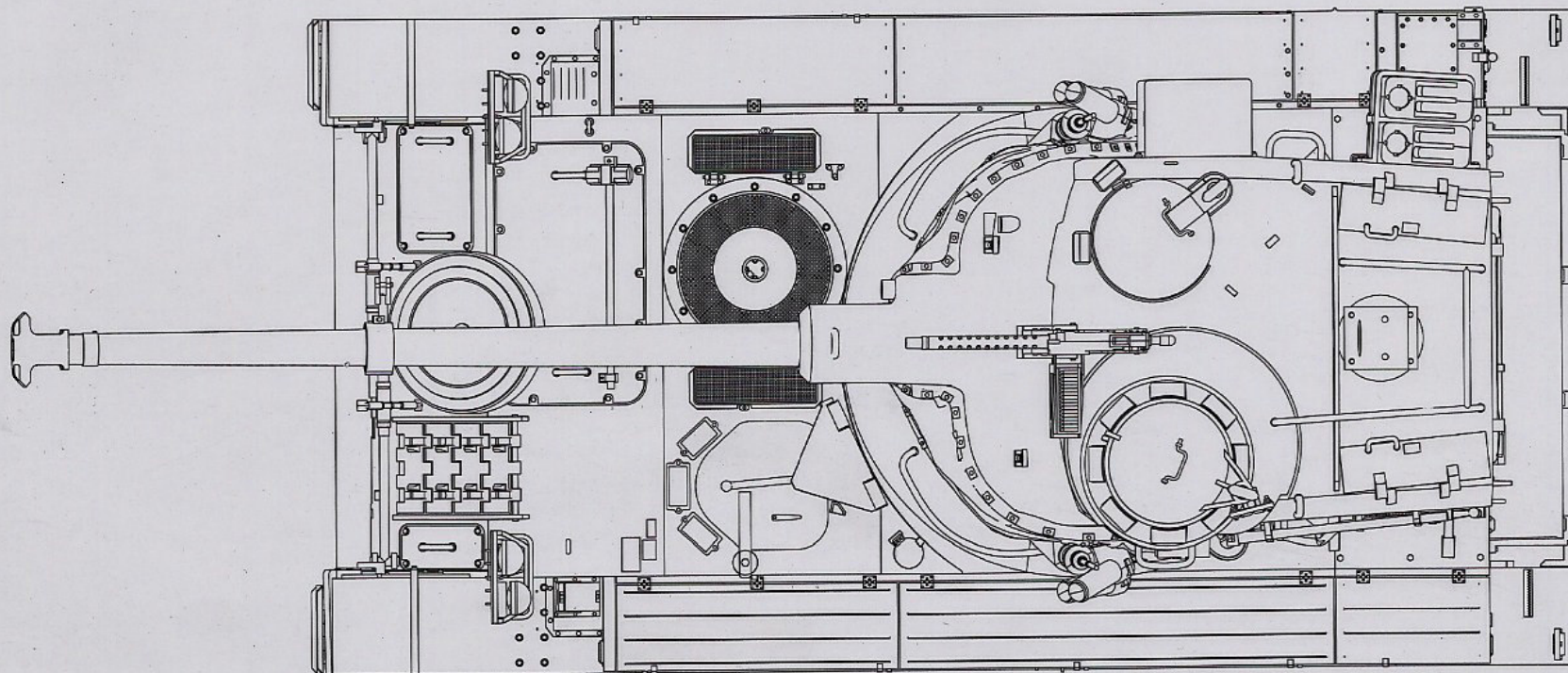
7-1



27-2



2016/2036



You can find TAKOM on Facebook.com



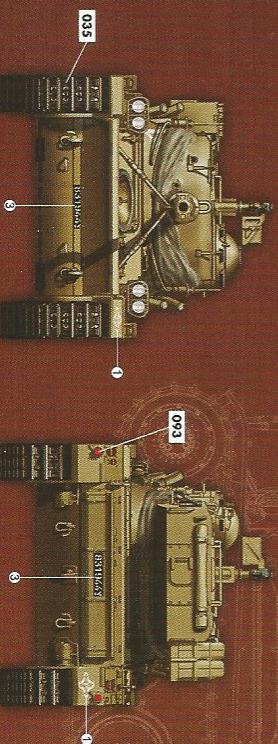
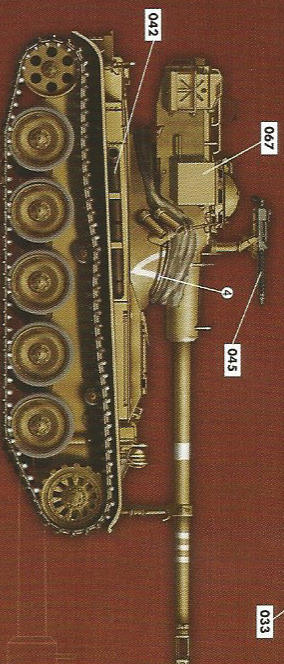
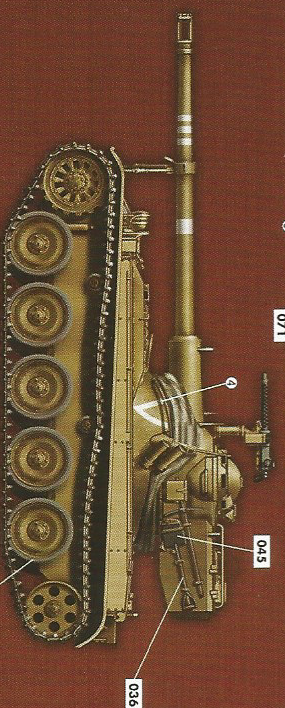
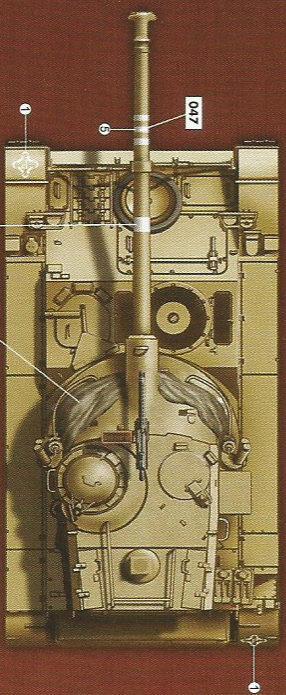
# AMX-13/75

Color info and profiles by mig

## Painting and Marking Guide

IDF Army, Six Days War, 1967,  
Colon Heights

- AMIG 033 Rubber & Tires
- AMIG 035 Dark Tracks
- AMIG 036 Old Wood
- AMIG 042 Old Rust
- AMIG 045 Gun Metal
- AMIG 071 Khaki
- AMIG 093 Crystal Red
- AMIG 047 White
- AMIG 043 IDF Silver Grey



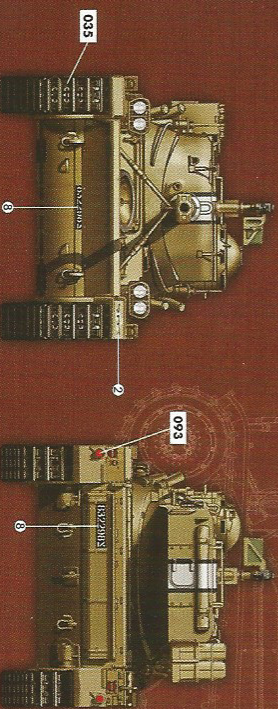
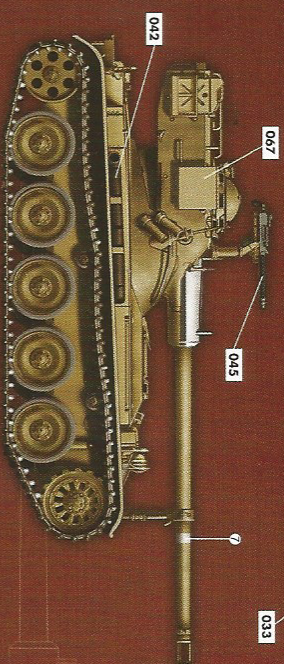
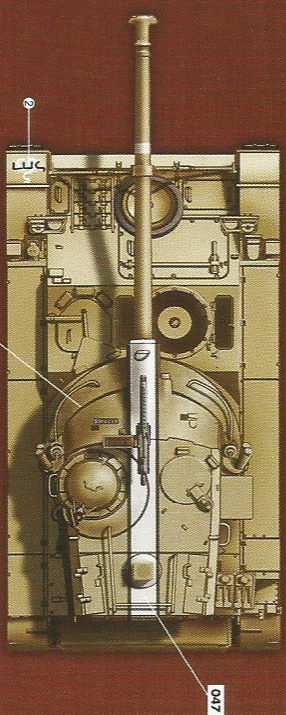
# AMX-13/75

Color info and profiles by mig

## Painting and Marking Guide

IDF Army, Six Days War, 1967,  
Nablus

- AMIG 033 Rubber & Tires
- AMIG 035 Dark Tracks
- AMIG 036 Old Wood
- AMIG 042 Old Rust
- AMIG 045 Gun Metal
- AMIG 071 Khaki
- AMIG 093 Crystal Red
- AMIG 047 White
- AMIG 047 IDF Silver Grey



# AMX-13/75

Color info and profiles by



## Painting and Marking Guide

Japanese Army

AMIG 033 Rubber & Tires

AMIG 033 Dark Tracks

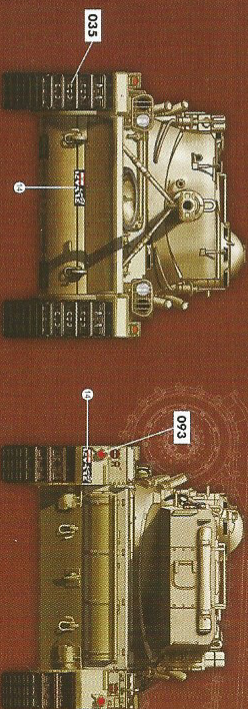
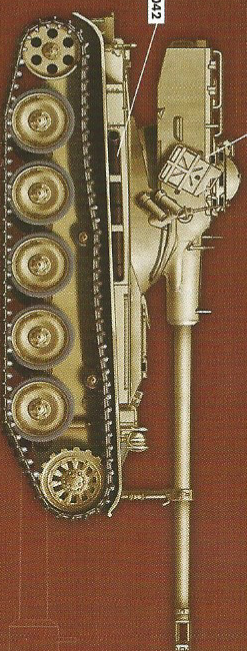
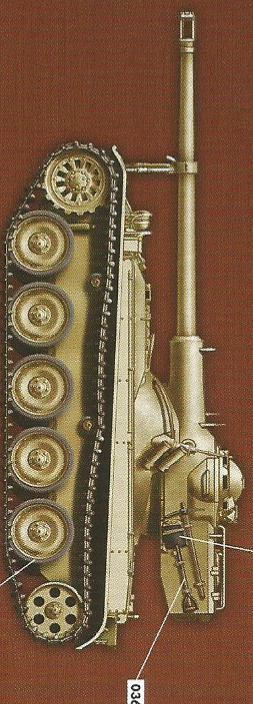
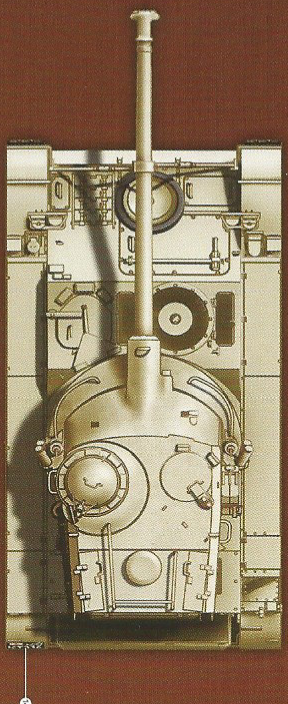
AMIG 036 Old Wood

AMIG 042 Old Rust

AMIG 045 Gun Metal

AMIG 099 Crystal Red

AMIG 047 IDF Sinal Grey



# AMX-13/75

Color info and profiles by



## Painting and Marking Guide

Venezuela Army, El Portezuelo, Inspeccion de Puerto Caballero, 1962

AMIG 033 Rubber & Tires

AMIG 031 Dark Tracks

AMIG 036 Old Wood

AMIG 042 Old Rust

AMIG 045 Gun Metal

AMIG 033 Crystal Red

AMIG 069 Blue Green

