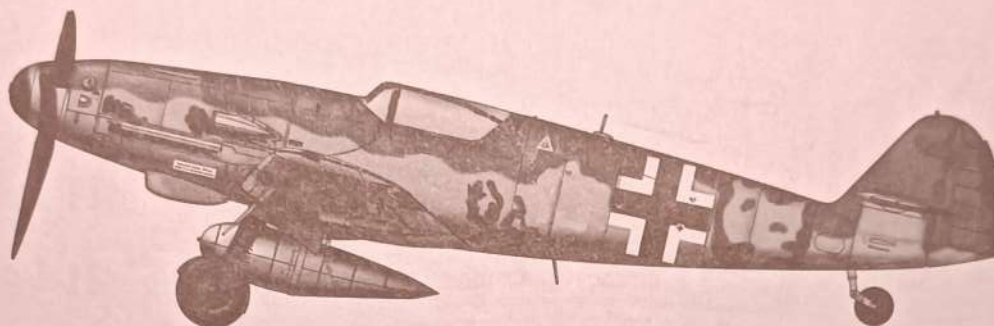


1/32 SCALE

ITEM NO.:02299



Messerschmitt Bf 109K-4

德国BF109K-4战斗机

READ BEFORE ASSEMBLY:

- Study and understand these instructions thoroughly before beginning assembly
- When needed, remove photo-etch parts carefully using a modeling knife or photo etch sprue cutter, being careful not to damage or lose small parts.
- Take extra care in handling photo etch parts in order to avoid injury
- Apply instant cement sparingly to photo etch parts where instructed

- Tools recommended(not included in kit):Plastic and instant cements, sprue cutters, long nose pliers, modeling knife, small files, tweezers, pin vise & scissors. Soft cloth and sandpaper will also assist in construction
- Glue and paint are not included in the kit. Use plastic cement and hobby paints only. Color guide for purchasing paint is included in the kit.

装配之前仔细阅读

- 小心用模型锉刀锉平所有零件表面的注射溢口。
- 小心用刀片切下蚀刻片零件，不要遗失小零件。
- 用强力快干胶水粘合蚀刻片零件和金属轴。过量快干胶水使用可能导致可动零件会粘住，小心涂胶。
- 取蚀刻片时应特别注意安全，防止利边划伤手指。
- 某些零件表面需贴水上贴纸，请选择在装配的同时进行。
- 推荐模型工具(自备)：胶水，水口剪刀，长咀钳，刀片，锉刀，镊子，钳、钻、剪刀，瞬间快干胶。
- 软布同砂纸同时也应该是必备工具。
- 请使用塑料胶水和油漆，模型内不含。

水贴纸的使用:

1. 从水贴纸上剪下印花;
2. 将印花放入温水中浸10秒，然后放在干净布上。
3. 拿着印花纸板将印花移到模型上;
4. 手指蘸水将印花移到适当的位置;
5. 用软布轻压印花直至水干，汽泡消失。

DECAL APPLICATION:

1. Cut decals from sheet as needed
2. Dip the decal in warm water for about 10 seconds and then place on soft clean cloth.
3. Hold the decal backing sheet edge and gently slide the decal onto the model in its proper position.

4. While still wet, decal can be adjusted for better fit on model by dampening it gently with your finger.
5. When placed in the proper position, gently press decal down with a soft cloth until excess water and air bubbles are gone.
6. Allow decal to dry completely before handling model



cyanoacrylate glue
使用强力胶



weight
配重



make hole
钻孔



cut / remove
切除



option
选择



no cement
不涂胶水



decal
贴纸

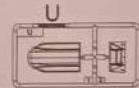
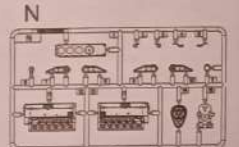
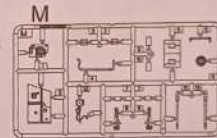
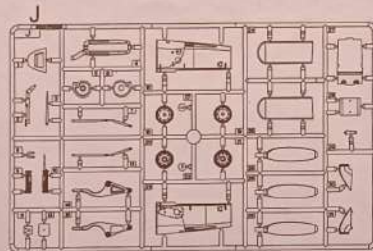
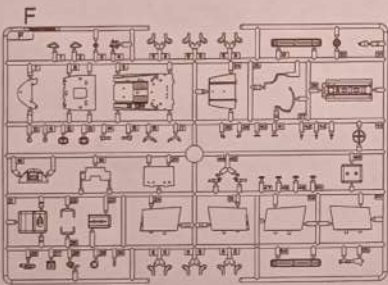
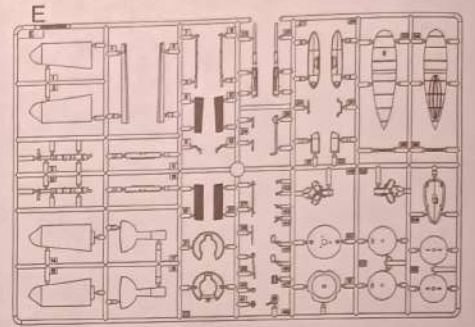
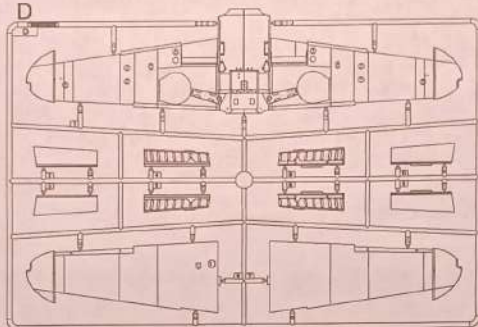
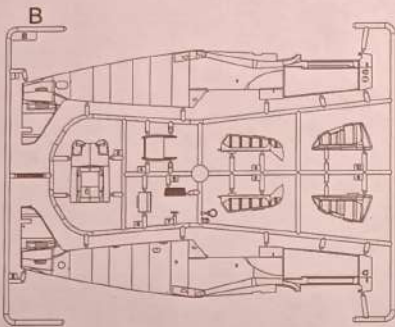


bend
弯曲



file / sand
锉平

部品图
Parts



《蚀刻片》A
Photo etched part(PE) A



《蚀刻片》C
Photo etched part(PE) C



《主轮胎》X2
Main tyre



《尾轮胎》
Tail tyre



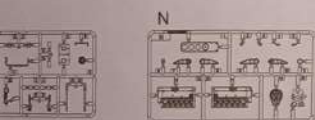
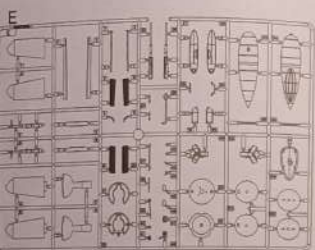
《水贴》A
Decal A



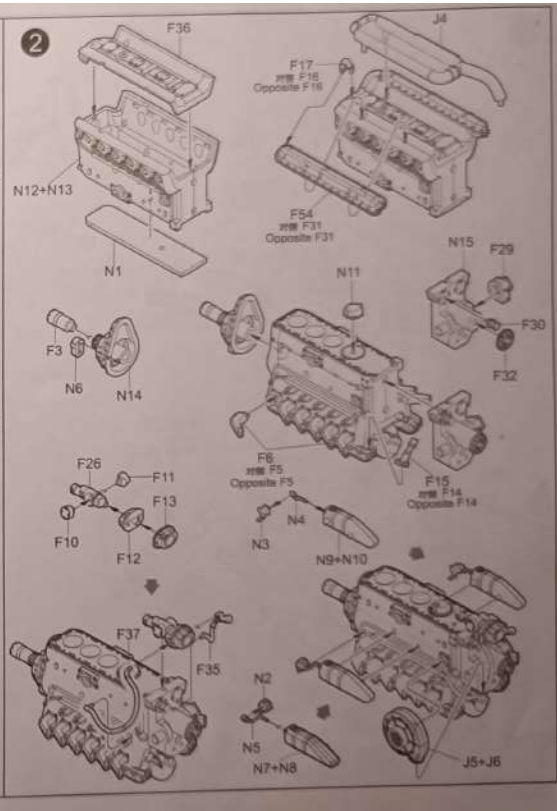
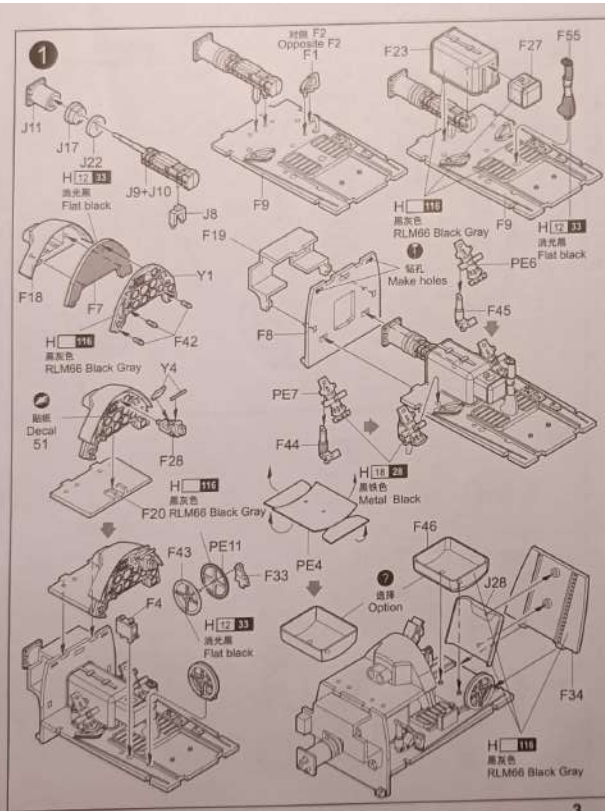
《水贴》B
Decal B



不用的零件: E45 E46 M3 M7 M9 M10
Unused parts: Y7 PE2 PE3 PE10 PE13
PE19 PE31 PE33

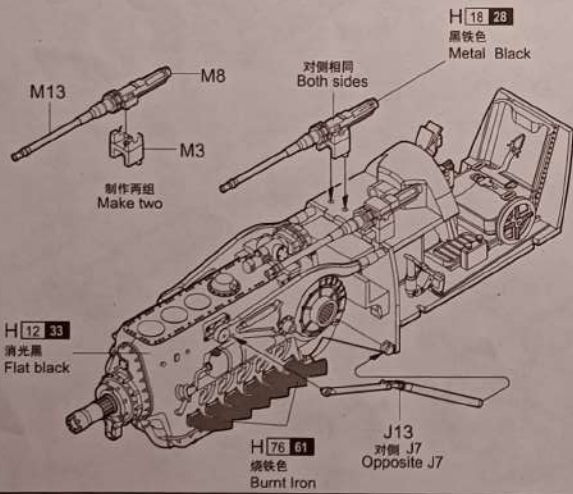
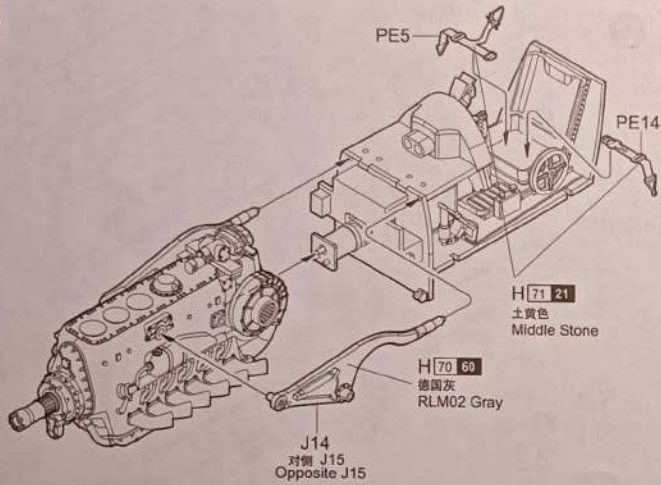


未用零件: E45 E46 M3 M7 M9 M10
 Unused parts: Y7 PE2 PE3 PE10 PE13
 PE19 PE31 PE33

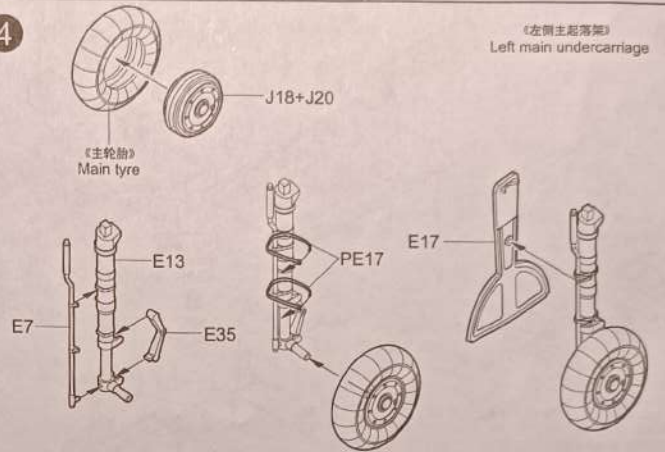


02299

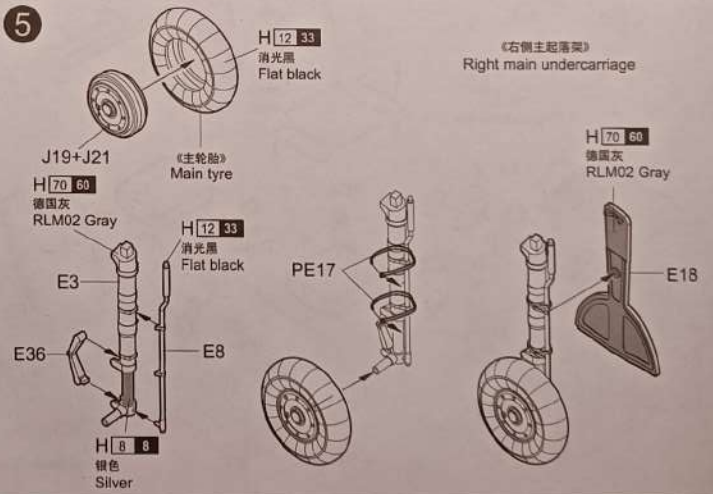
3

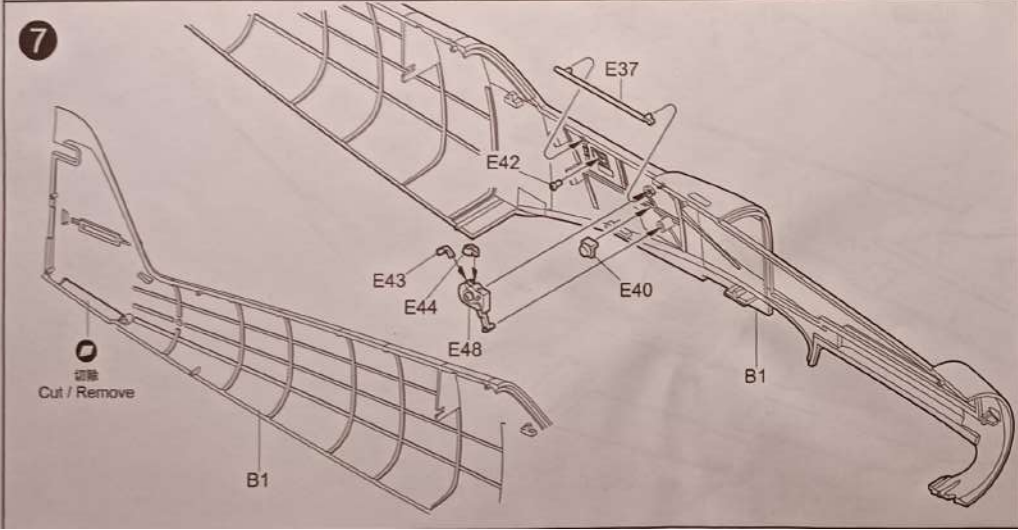
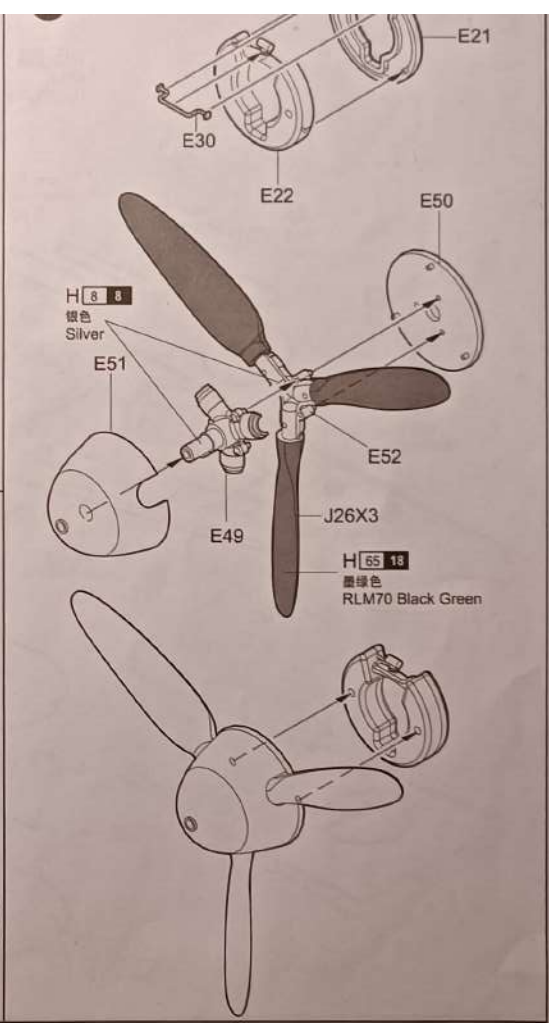
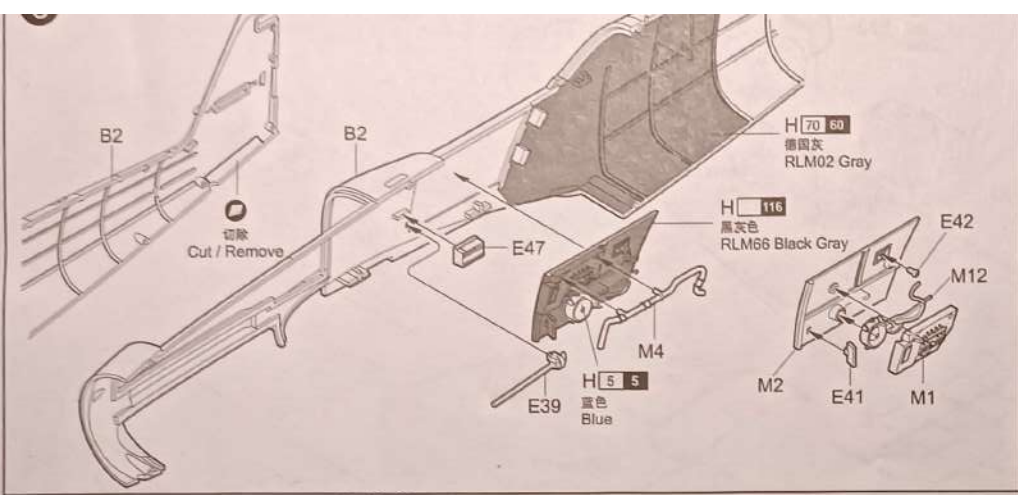


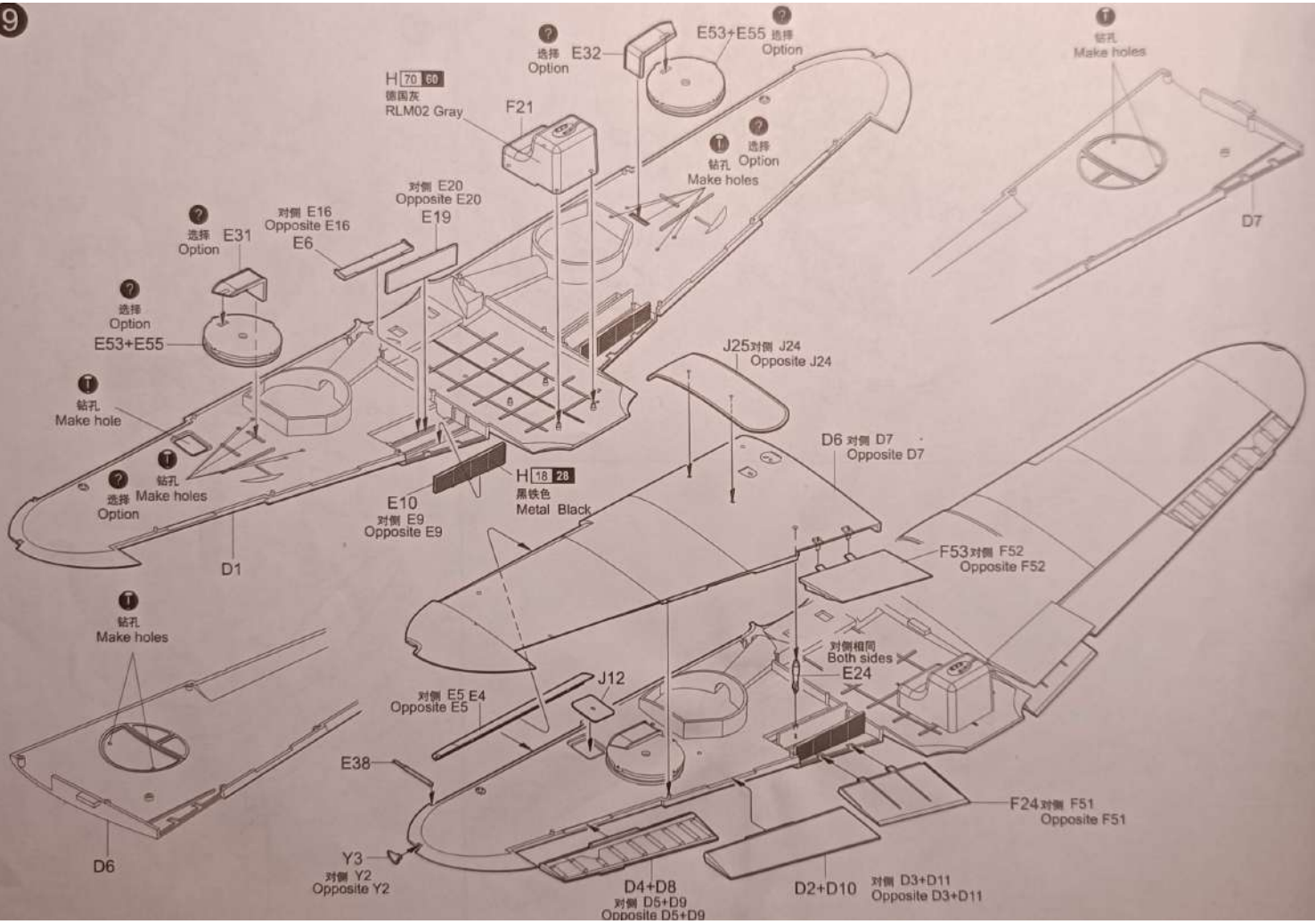
4



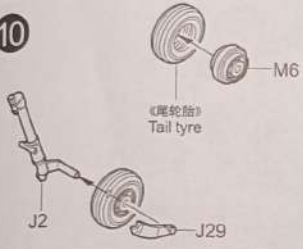
5



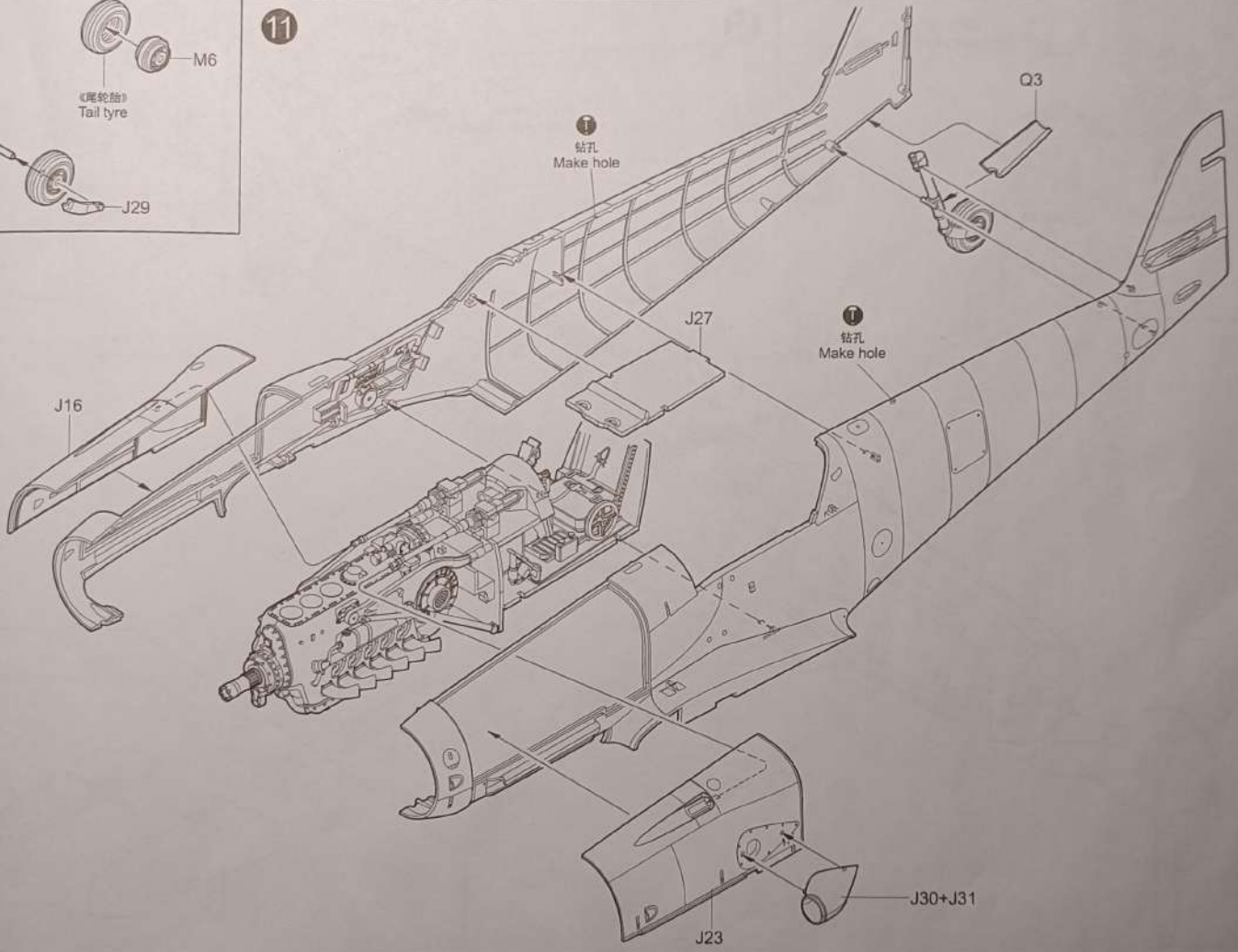




10



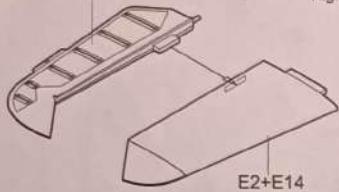
11



12

B9

《右侧水平尾翼》
Right horizontal stabilizer



14

H 116
黑灰色
RLM66 Black Gray

J1

PE16

PE15

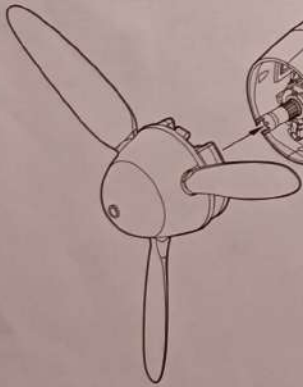
《右侧水平尾翼》
Right horizontal stabilizer

M5

Y5

B10+B11

《左侧水平尾翼》
Left horizontal stabilizer

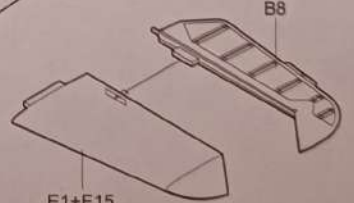


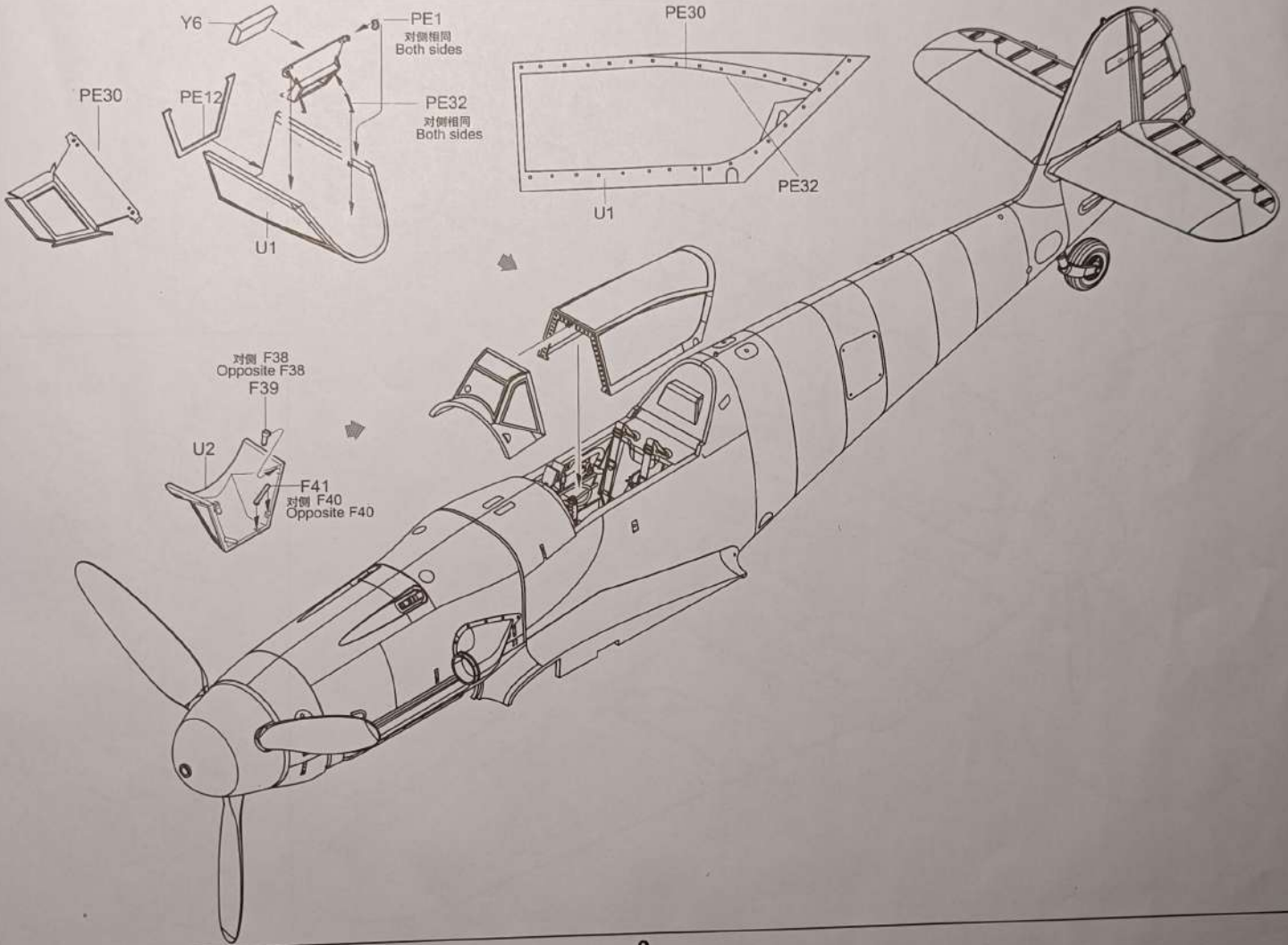
《左侧水平尾翼》
Left horizontal stabilizer

13

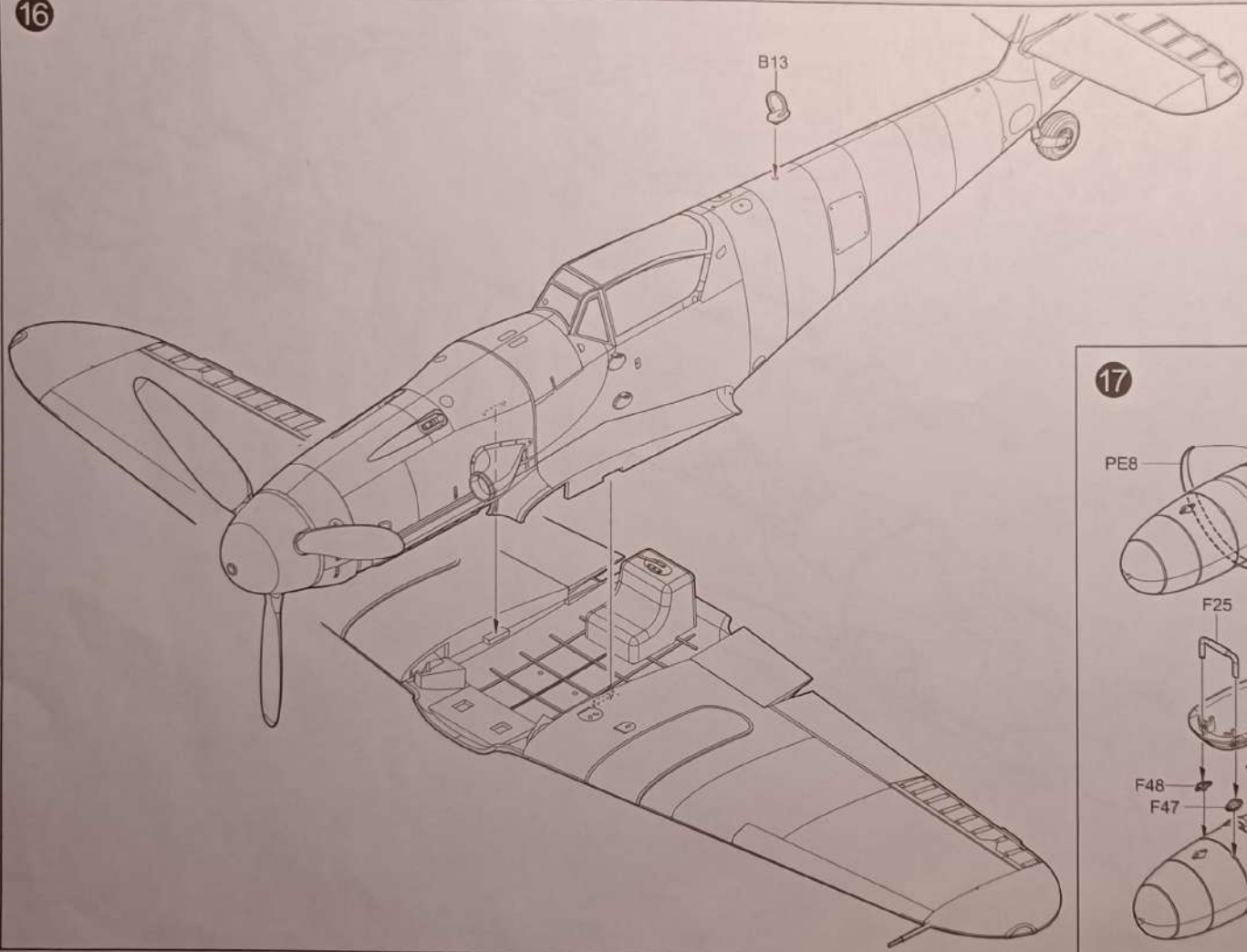
B8

E1+E15

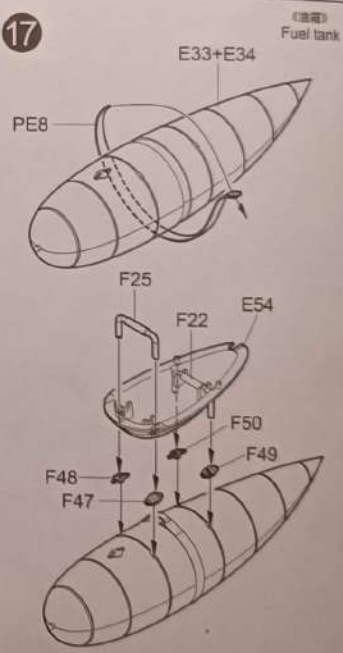


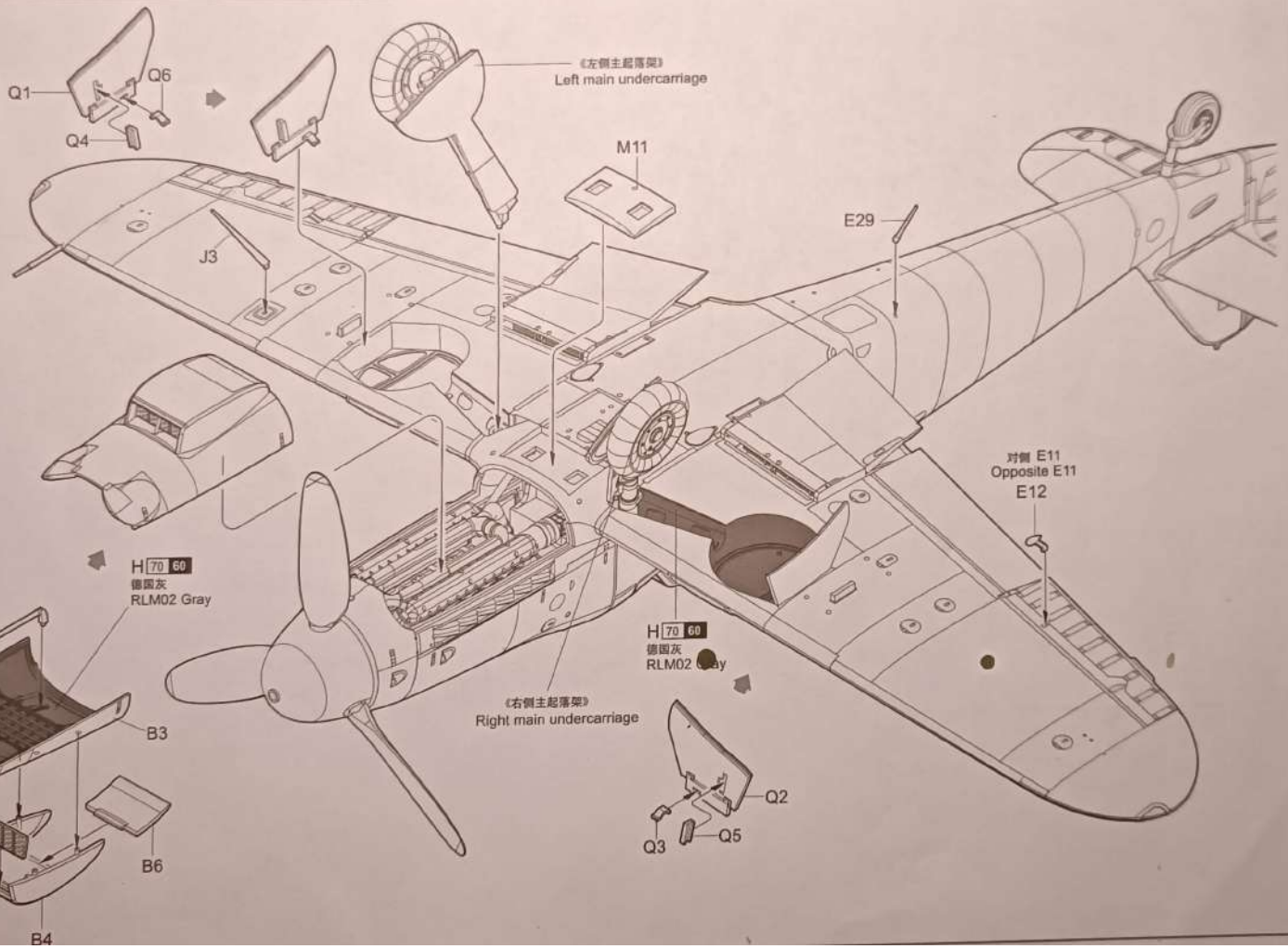


16



17





19

