



SMS Lützow 1916



P-7036



Full Hull Series



Instant glue
瞬間接著劑



Remove
切除



Drill hole
鑽孔



Caution
注意



Replace
替換



Do not cement
無需粘接



Make N pcs
製作N組



Fill up
填補



Optional
選擇



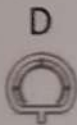
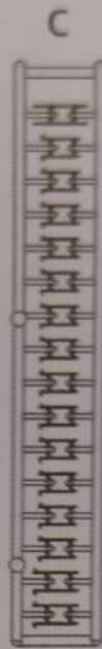
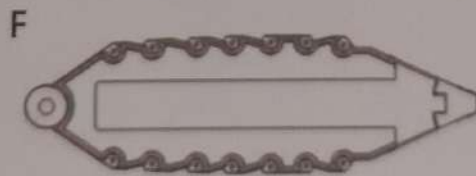
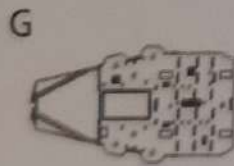
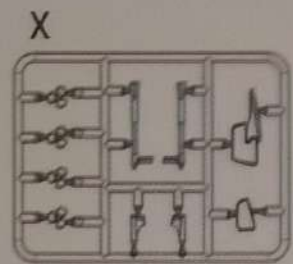
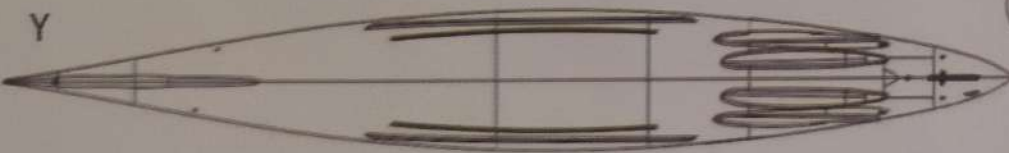
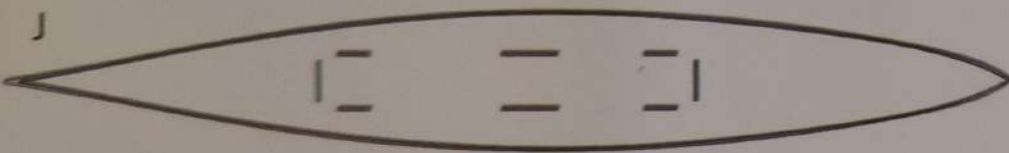
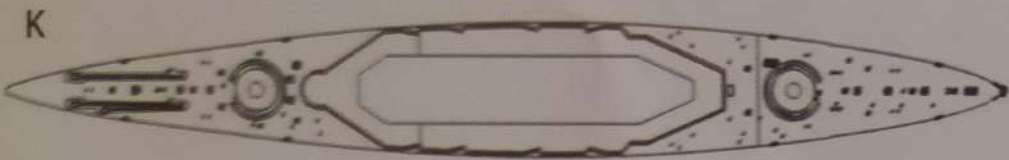
Repeat on opposite side
對側相同製作

製作必讀

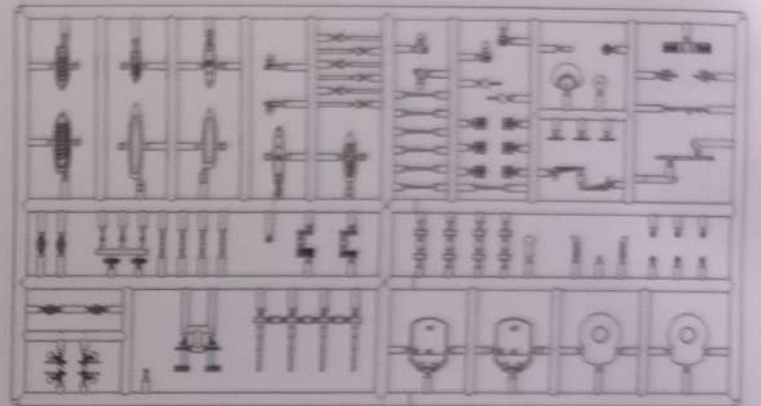
- 組裝前請仔細閱讀說明書，並按照說明書步驟進行製作。
- 膠水、油漆及工具勿讓小孩接觸。
- 請勿吞食產品包裝中的物品，請勿將包裝裝置於口鼻處或塞在頭上，以免引起窒息。
- 膠水及油漆勿接觸火種。
- 如需塗裝請在通風環境下進行，並按照塗料的注意事項操作。
- 將所需貼紙剪下置於清水中15-20s取出，置於正確位置，等待其乾透層即完成。

Read carefully before assembling

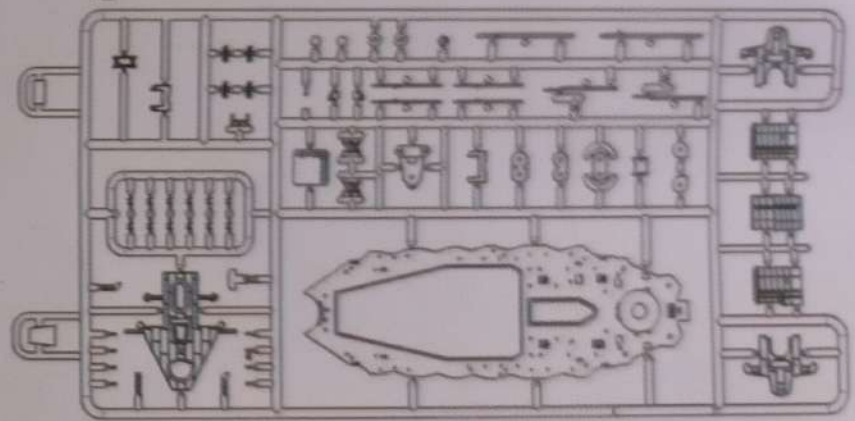
- Read carefully and fully understand the instructions before assembling.
- Keep glue and tools away from children.
- Don't swallow any items in the package, don't put vinyl bags near your mouth, nose or on your head.
- Keep this product from fire or high temperature.
- Please paint in a ventilate environment, and follow painting guide.
- Cut out the decals and dip them in water for 15-20s. Apply decals certain place as guided. Wait till decals dry out.



B x2



E



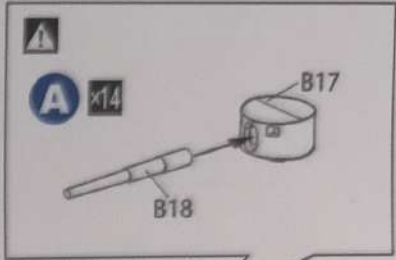
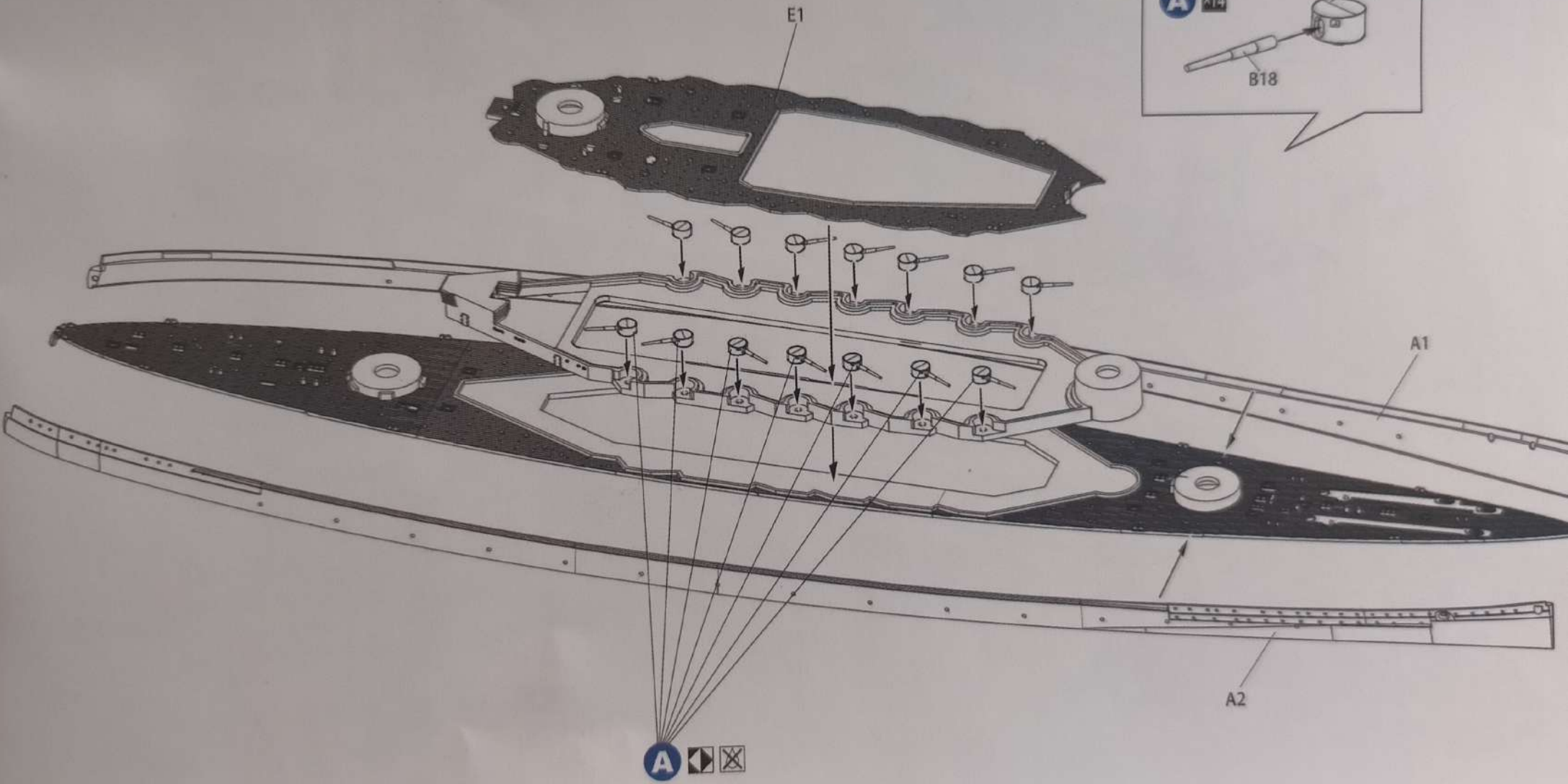
PE



Decal

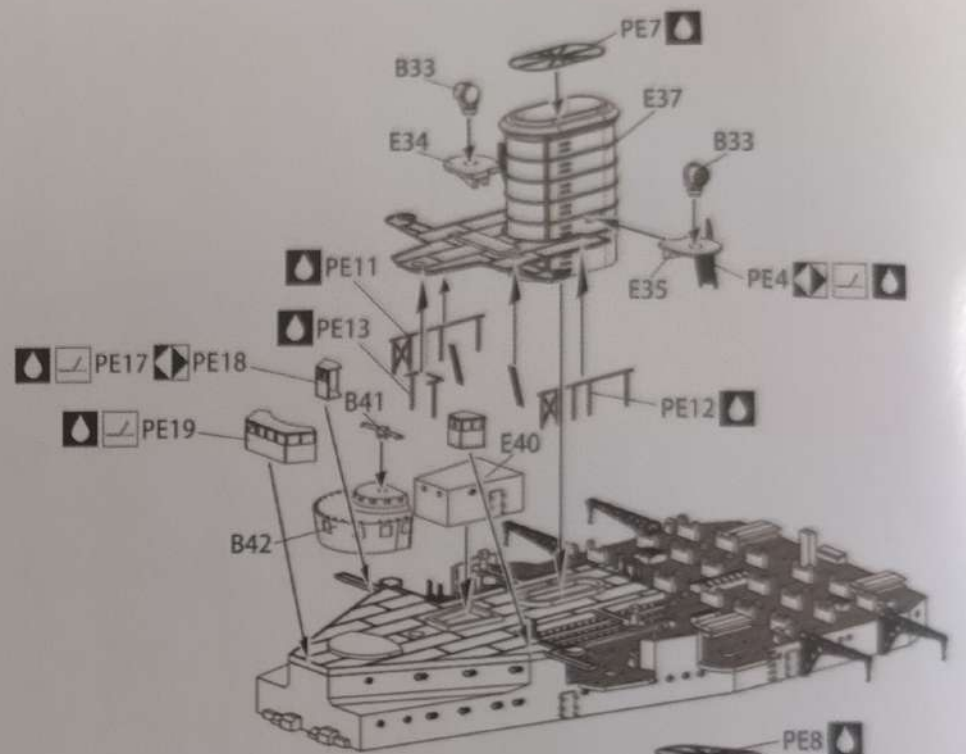
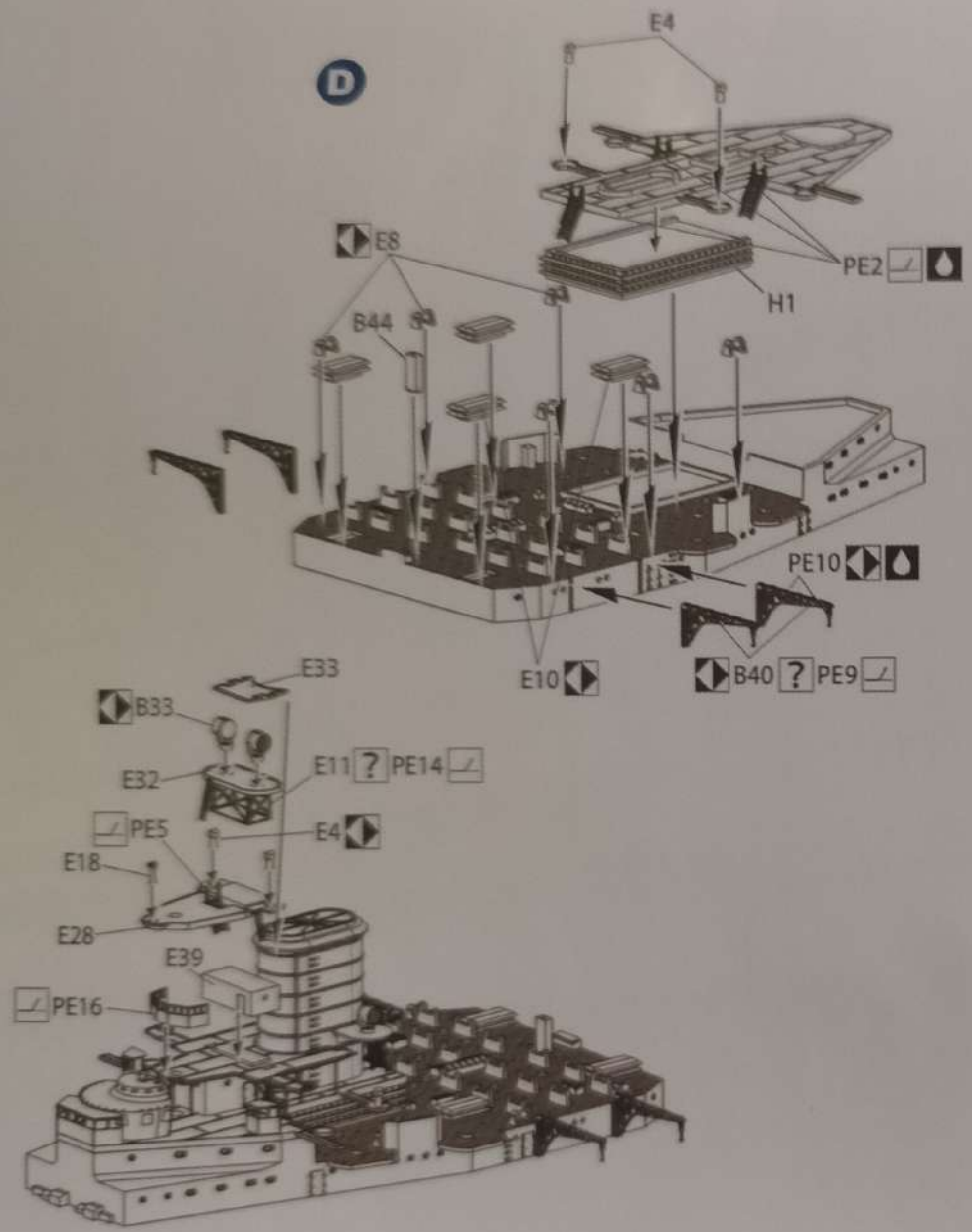


1

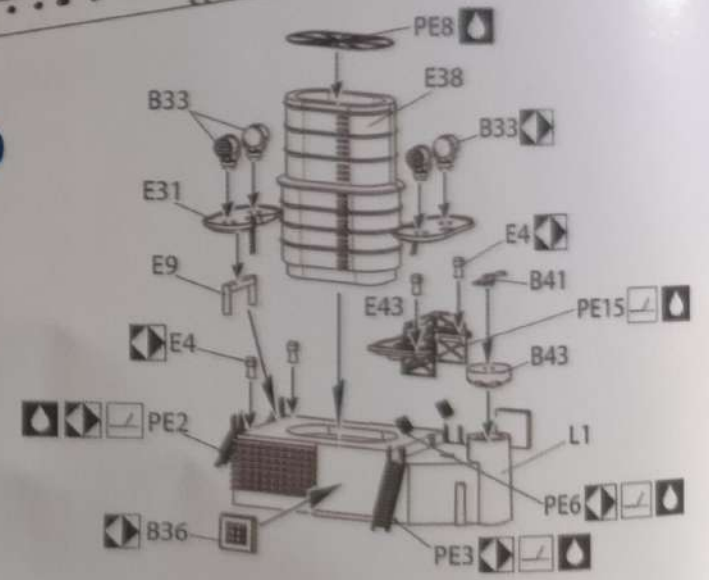


A

D

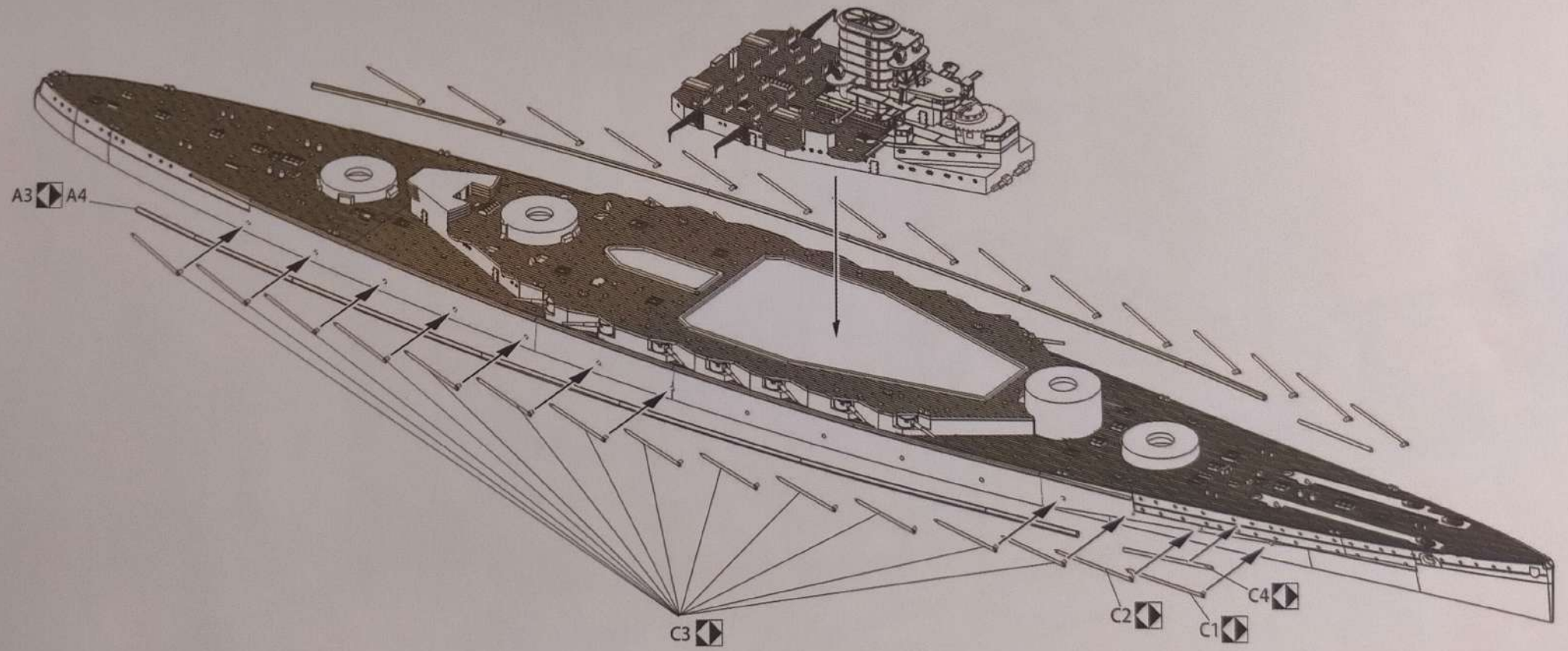


E

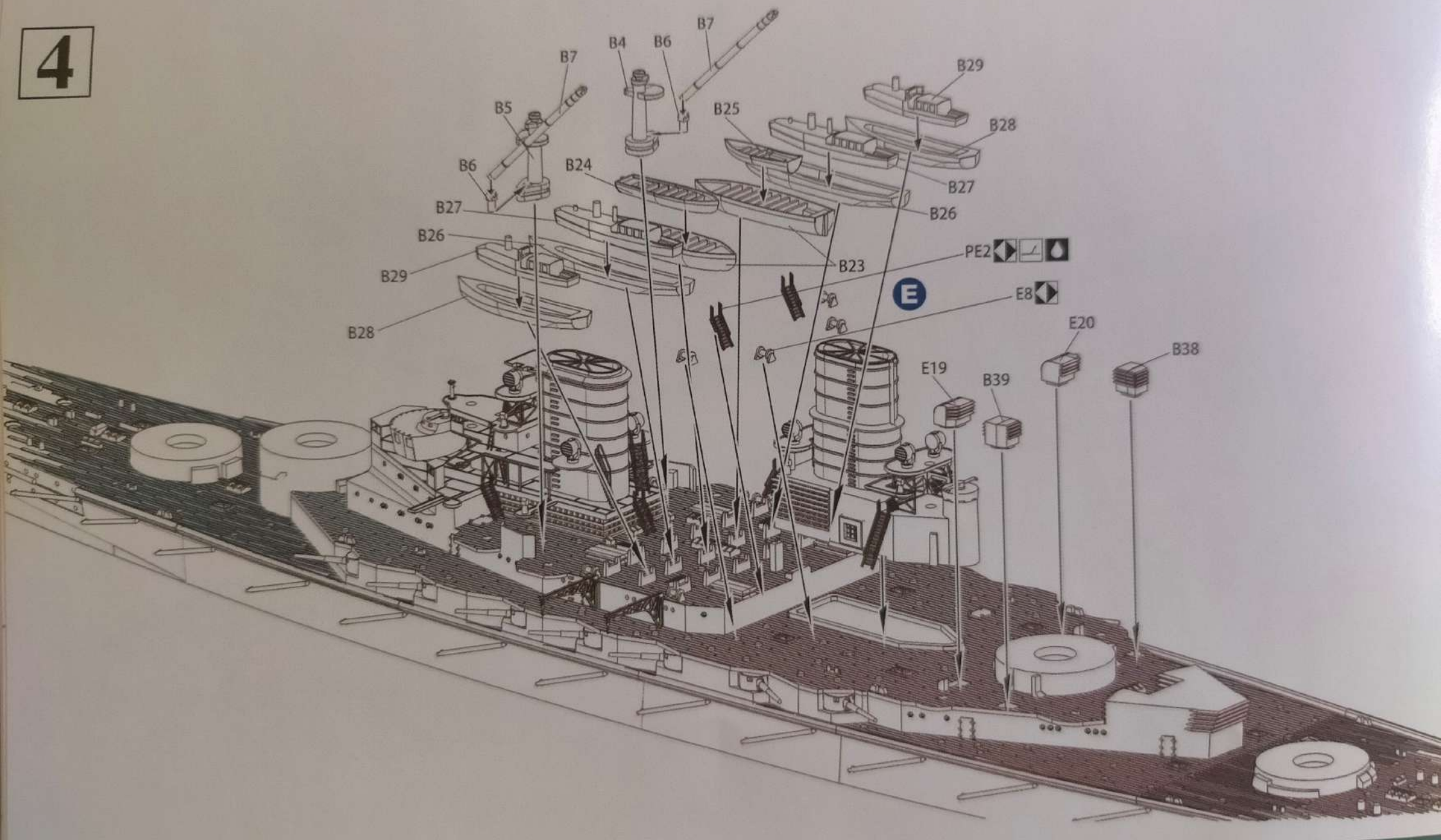


3

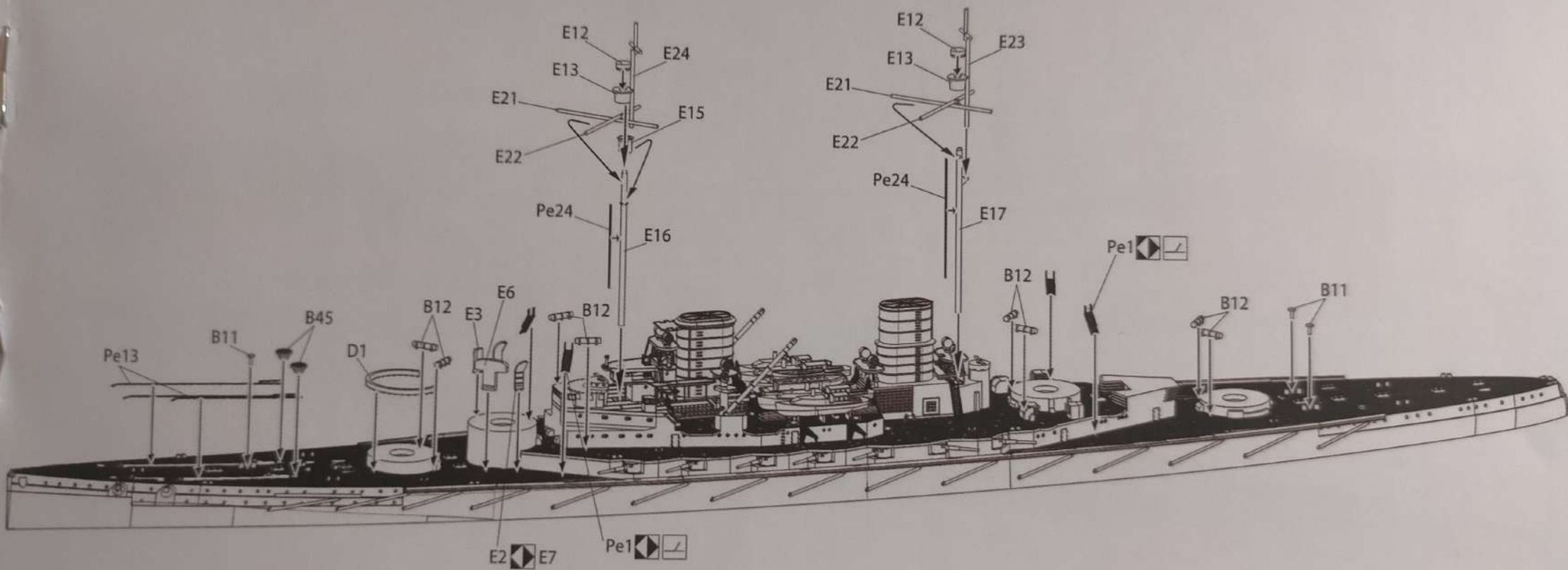
D



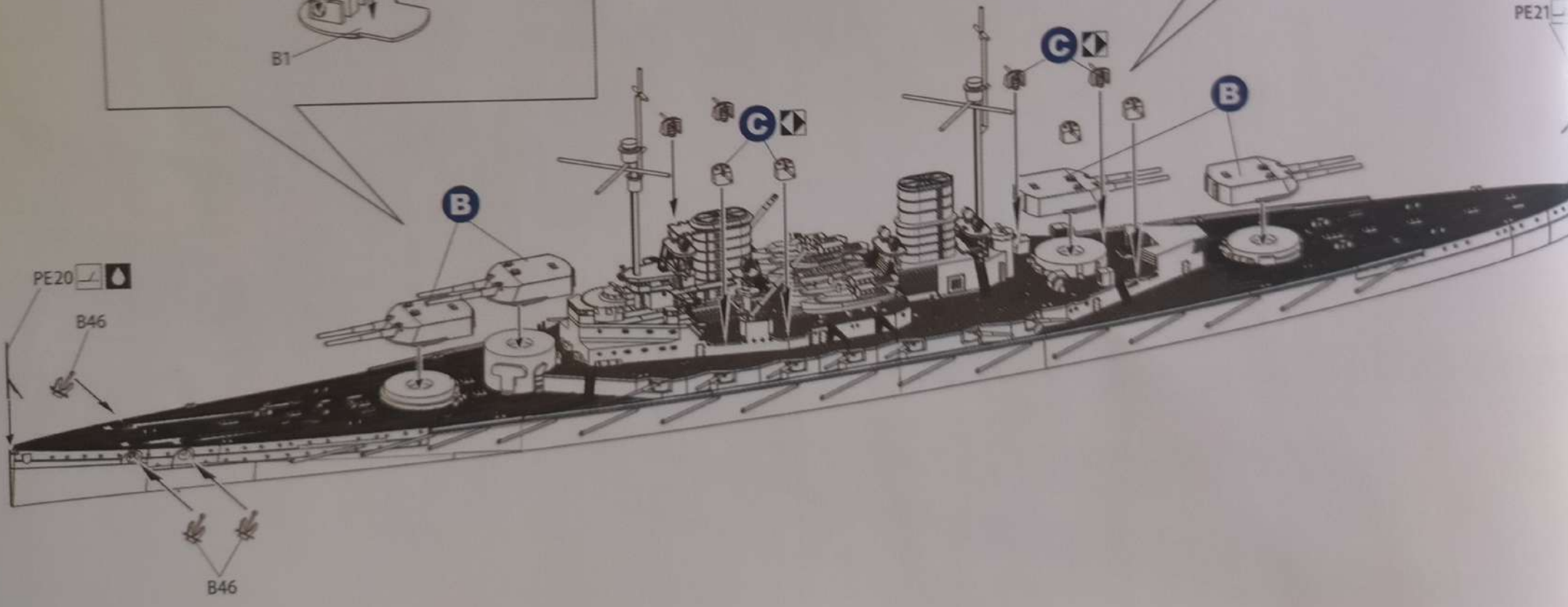
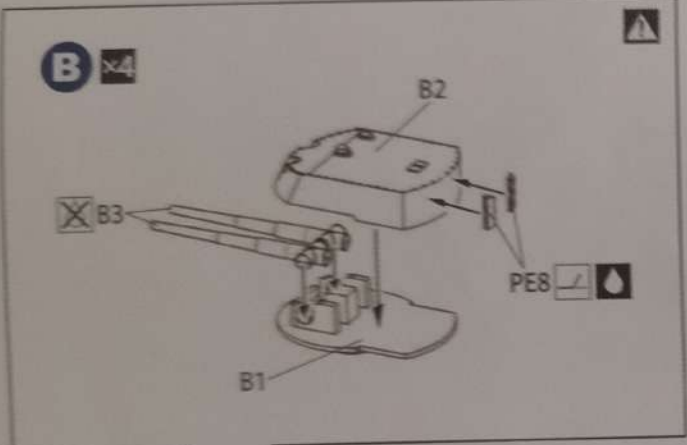
4



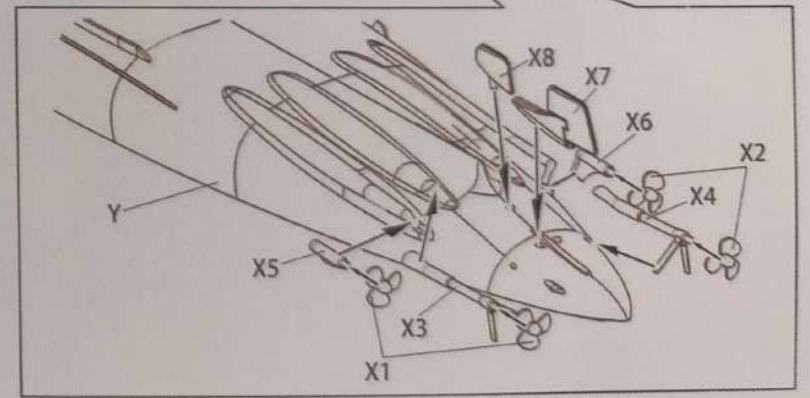
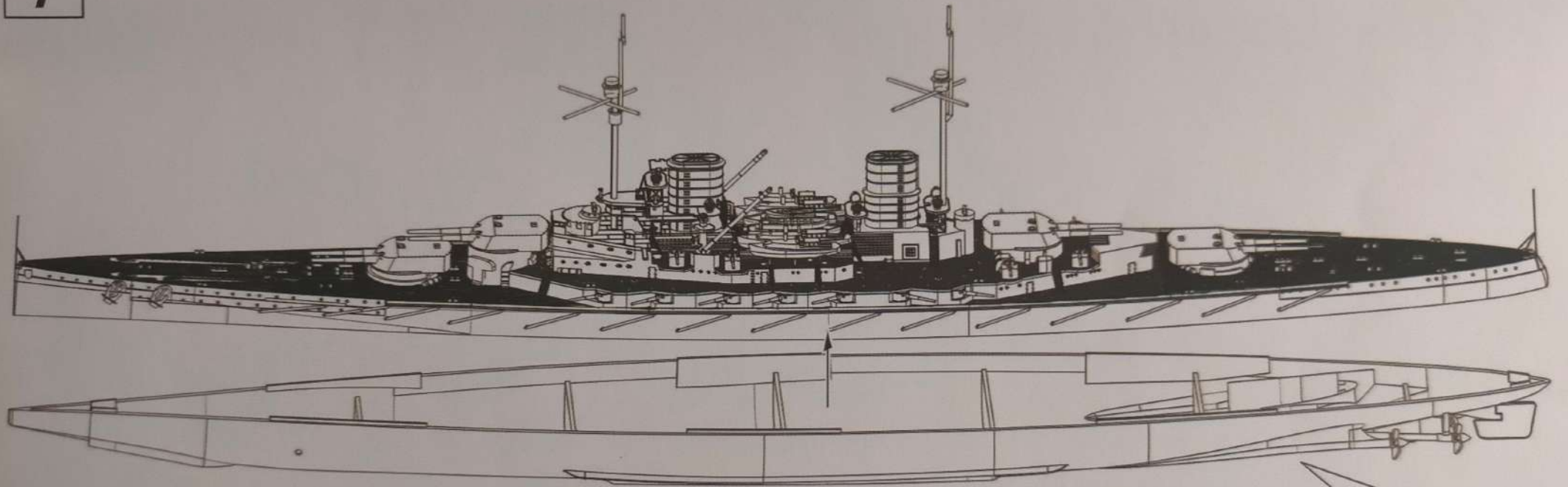
5



6



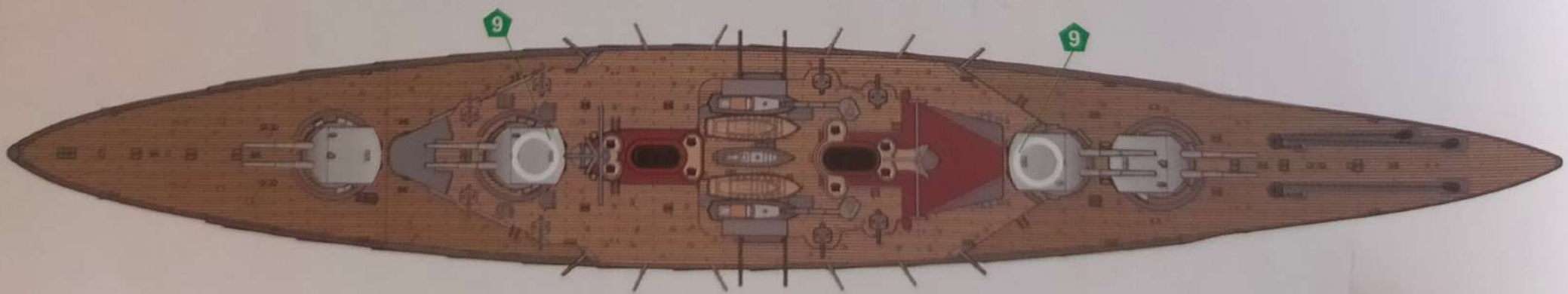
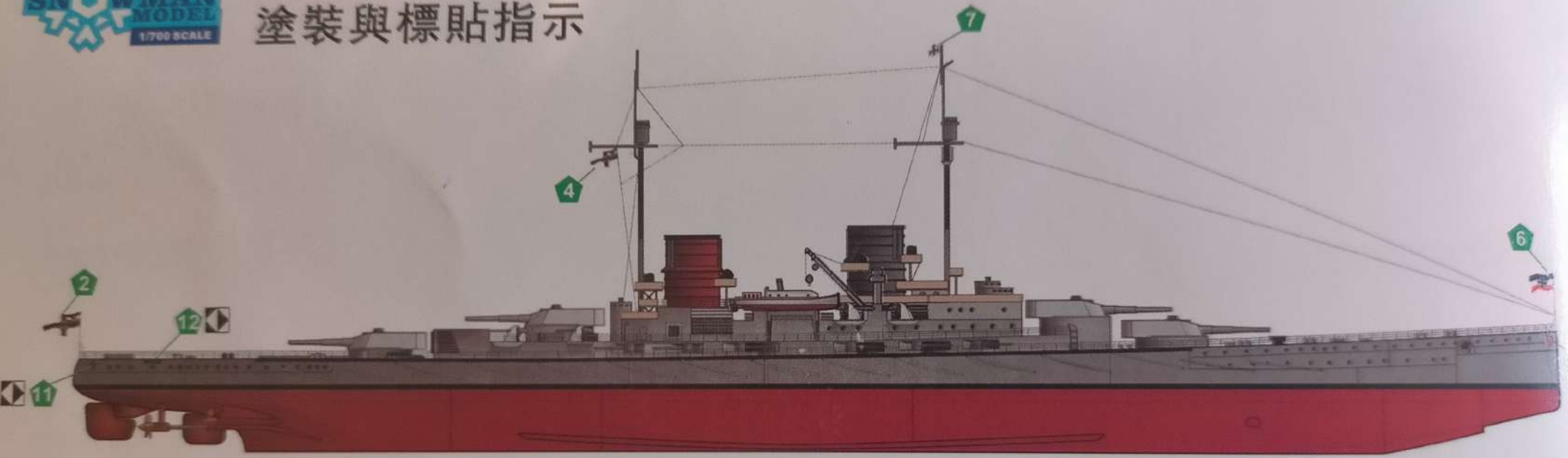
7





Painting & Marking guide

塗裝與標貼指示





呂佐夫 Lützow 1916
德國海軍呂佐夫號戰列巡洋艦1916
ドイツ海軍巡洋戦艦 リュッツオウ 1916



Full Hull Series

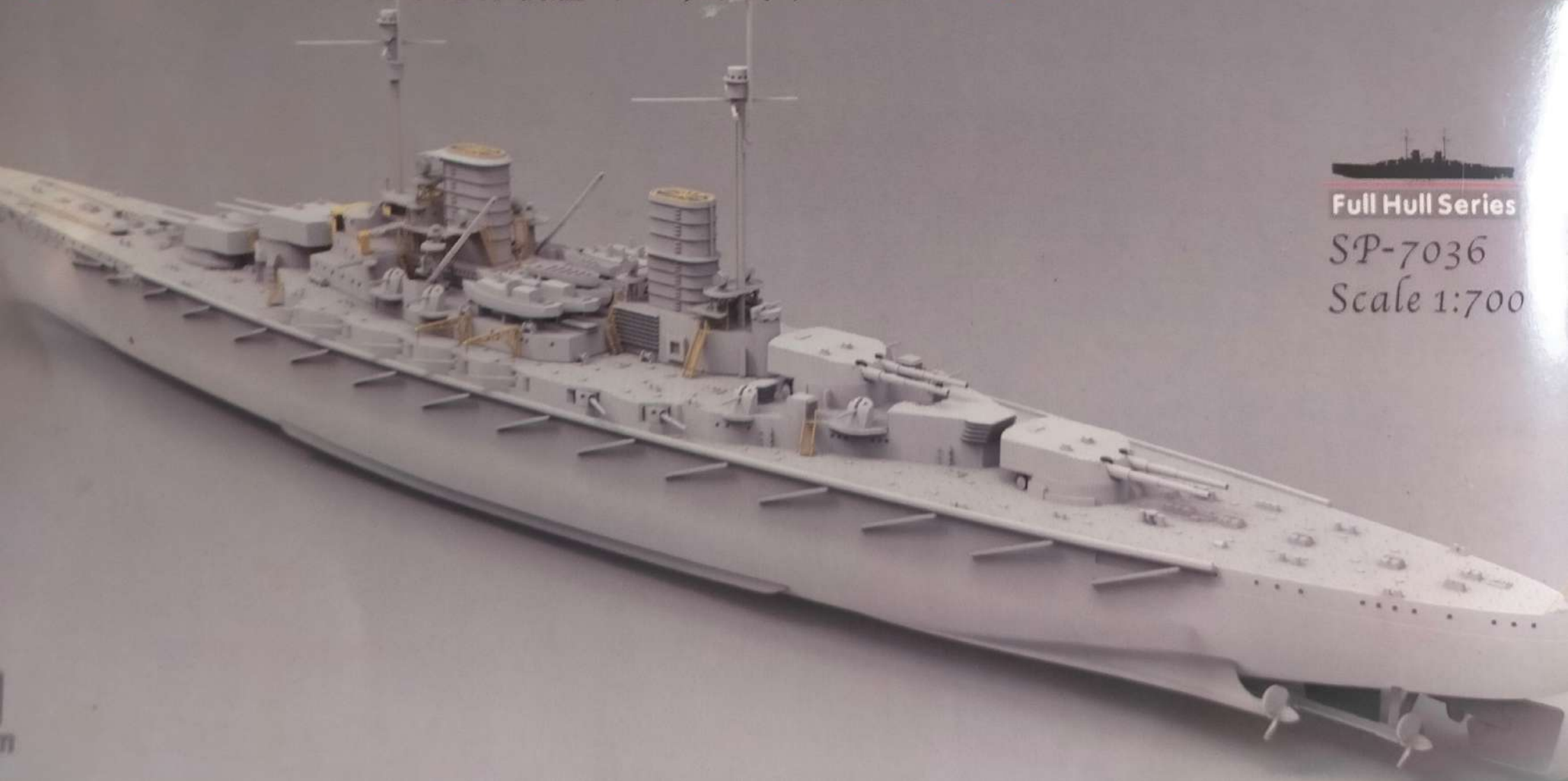
SP-7036

Scale 1:700





SMS Lützow 1916
德國海軍呂佐夫號戰列巡洋艦1916
ドイツ海軍巡洋戦艦 リュッツオウ 1916



Full Hull Series

SP-7036

Scale 1:700