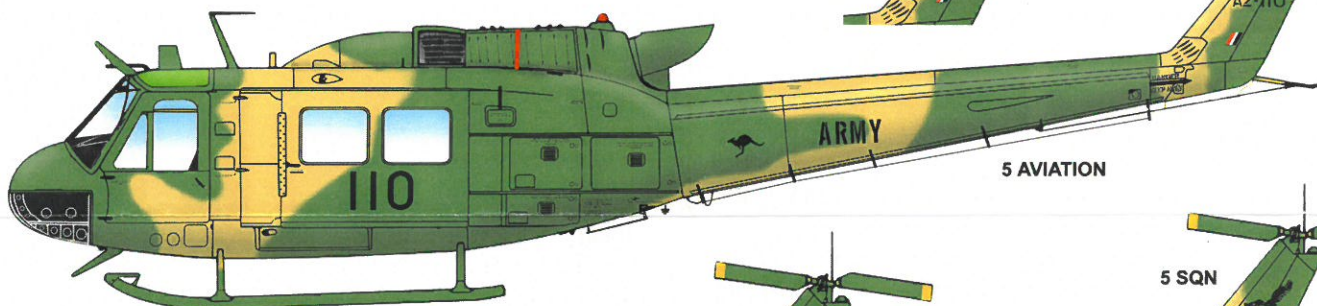
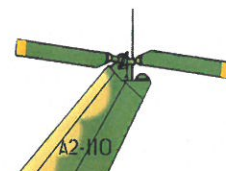
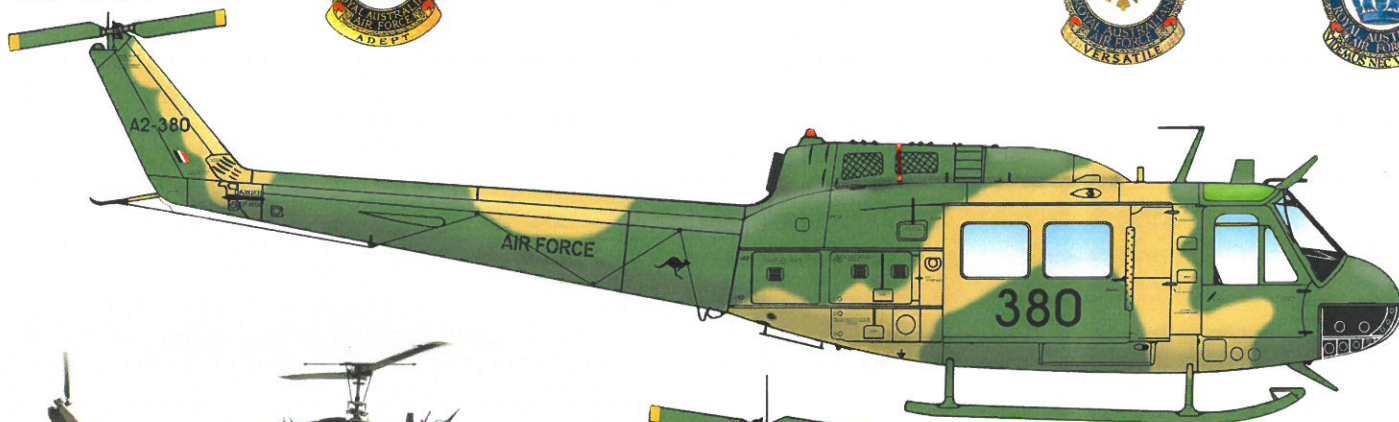
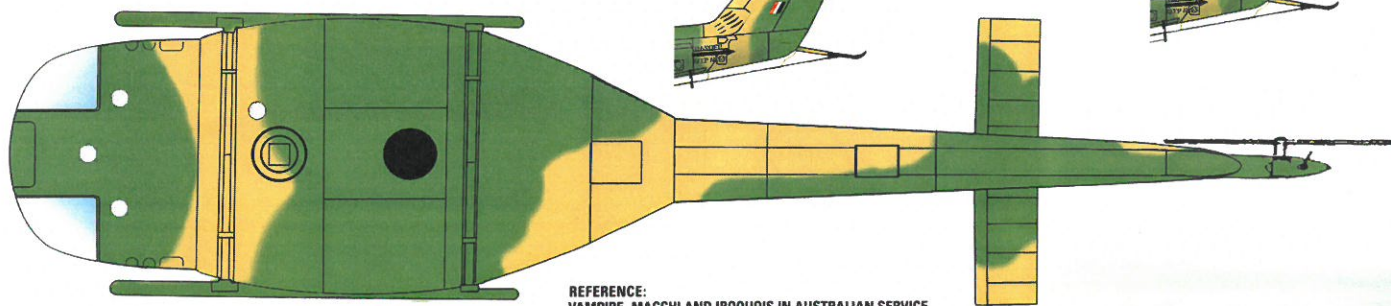




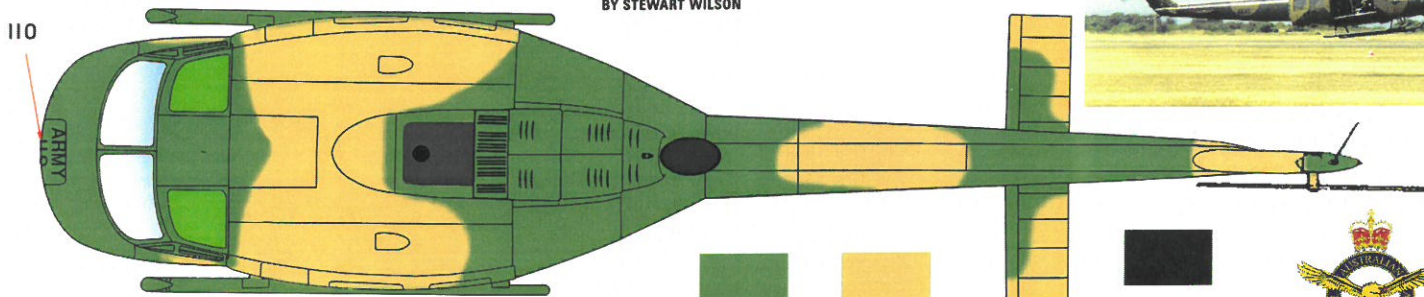
RAAF / AAAC UH-1D/H



NOTE:
THIS CAMO PATTERN DOES VARY FROM AIRCRAFT TO AIRCRAFT.
SO DOUBLE CHECK YOUR REFERENCES



REFERENCE:
VAMPIRE, MACCHI AND IROQUOIS IN AUSTRALIAN SERVICE
BY STEWART WILSON
AUSTRALIA'S MILITARY AIRCRAFT
BY ROSS GILLETT
MILITARY AIRCRAFT OF AUSTRALIA
BY STEWART WILSON



DRAWINGS IN 1/72 SCALE



Clear green



Matt Green
FS-34082

X-26 Deep Green



Matt Tan
FS-30219

(this colour is slightly darker)



Matt Black
FS-37038
Hum 33



The Kangaroo, squadron markings, crests and national markings
(Roundel, squadron logos and country of origin flag)
are reproduced with permission and approval by the
Royal Australian Air Force

AAF-18 RAAF / AAAC UH-1D/H

HAWKEYE MODELS AUSTRALIA

INSTRUCTIONS:

Preparing the surface

1. Before applying the squadron decals we recommend that you apply the white decals first.
2. Once dry you may continue with decal application.

Applying decals

1. When you are ready to start applying the decals, we recommend that you cut as close to the item as possible to achieve the best result.
2. Soak the decal in warm water to which a drop or two of dishwashing liquid has been added. Leave the decal for 11 seconds and then slide the decal off the paper and onto the model.
3. Once on the model and in the right position, lightly press down on the decal with a dry tissue to soak up the excess water. You may then use a decal setting solution .
4. Once the decal has set and is dry, you may then trim off any excess clear decal film if you wish to do so.

Finishing touches

1. Once the decals has dried and you have cut off any excess you may need to do some touch up with some paint.
2. When you have finished the touch up you will then need to spray a clear gloss lacquer over the decal area.

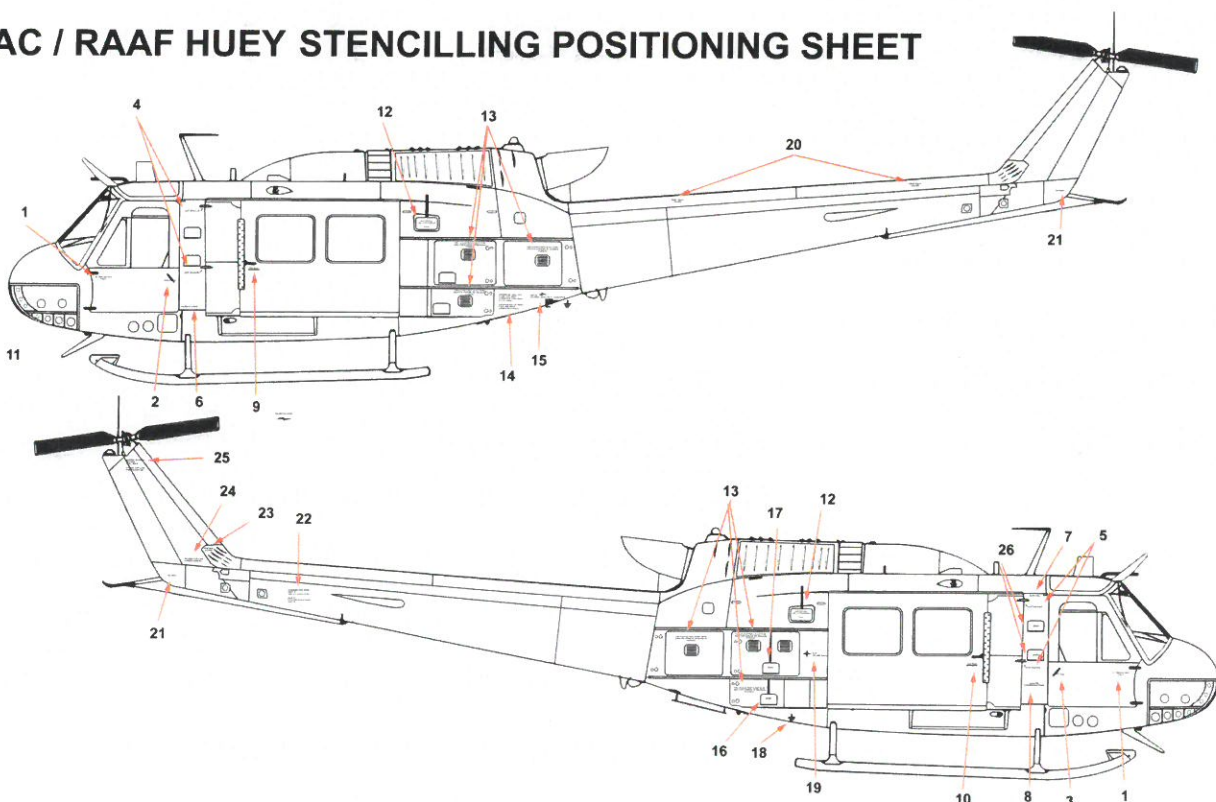
Warning: Be very gentle with the decal film when applying to model. As the decal film is very thin and may tear if mistreated.

We hope that you enjoy these decals.

If you experience any difficulties please e-mail Peter Mahoney at peter@hawkeyemodels.com.au

PETER MAHONEY
Owner / Manager
Hawkeye Models Australia

AAAC / RAAF HUEY STENCILLING POSITIONING SHEET



A2- A2-
A2- A2-



041 041



DANGER
KEEP AWAY



085 085

AIR FORCE ARMY

DANGER
KEEP AWAY

AIR FORCE ARMY 99 22

110 110

00000000 1111 2222 3333

3333 44 44 55 6666 66

380 380

667777 7777 88 88 99

00000011112222 333

333333445566 6666

66777777777 8888

999922 00111111

17	18	22	20	13	7	3	25	12
26	1	14	23	8	5	2	6	11
6	9	24	8	18	21	4	5	10
15	16	19	21	2	3	4	7	11

ARMY ARMY

