



FALCON Clear-Vax

1/48 SCALE CANOPY SET N° 16 - LUFTWAFFE PART 2

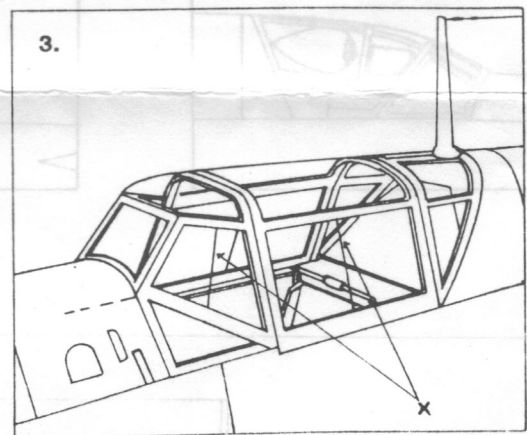
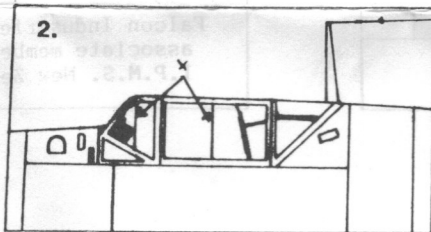
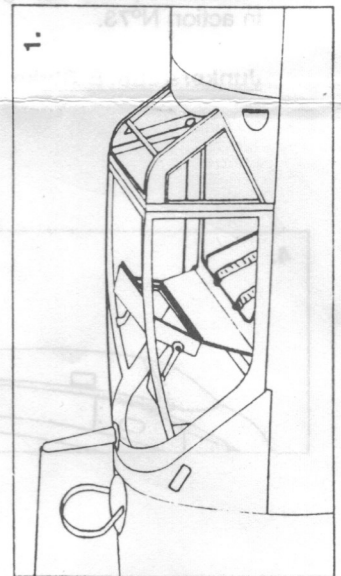
USING REPLACEMENT CANOPIES

TRIMMING: Insert a new blade into your modelling knife or scalpel. To separate the canopy from its base, score very gently around the ledge moulded at the bottom. Do this very lightly at first, with minimum pressure. Repeat the process until the canopy pops away from the ledge. If you score too heavily at first you risk slipping and ruining the canopy. Finally, any rough edges can be cleaned up by lightly sanding with fine wet-and-dry paper. If you intend separating the canopy for display in the open position we suggest cutting the break-lines before you cut the canopy from its base.

GLUING: Cyanoacrylate (superglue) can be used to fix the canopy to the kit and gives a fast setting permanent joint, but fumes given off when setting can cause frosting on clear parts. Where possible mask around the joint with masking fluid or tape. PVA (white glue) is also useful as it is partly gap filling, doesn't attack the plastic and dries clear.

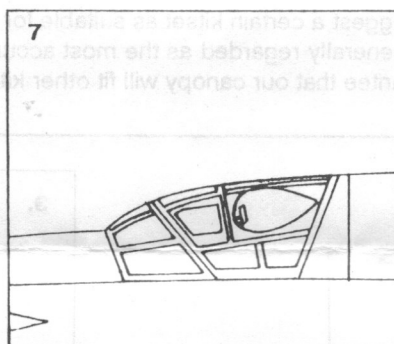
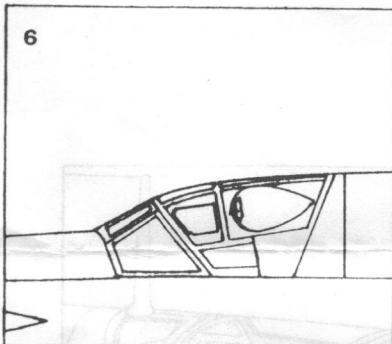
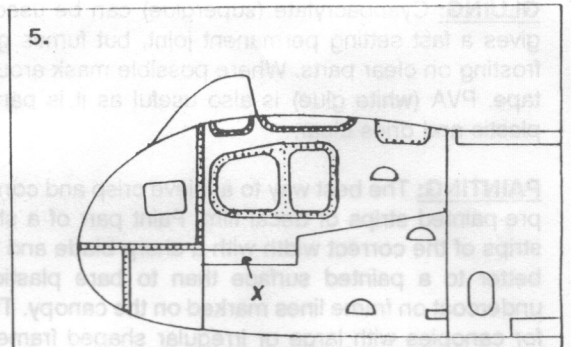
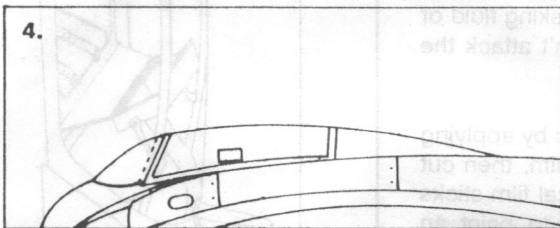
PAINTING: The best way to achieve crisp and convincing frame lines is by applying pre-painted strips of decal film. Paint part of a sheet of clear decal film, then cut strips of the correct width with a sharp blade and a straight-edge. Decal film sticks better to a painted surface than to bare plastic, so you will have to paint an undercoat on frame lines marked on the canopy. This technique may not be suitable for canopies with large or irregular shaped framed areas. For these canopies we suggest making the clear area with clear adhesive tape and removing the masking following painting.

WHICH KIT? Please note that where we suggest a certain kitset as suitable for our replacement canopy, the suggested kit is generally regarded as the most accurate model to the given scale. We can not guarantee that our canopy will fit other kits of the same subject.



1. **Messerschmitt Bf109 "Erla Haube". Suggested kit:** Revell Bf109G-10/K, Monogram Bf109G-10. Note the attachment points for the pilots head armour. **Suggested references:** Squadron/Signal in action N°57.
2. **Messerschmitt Bf109E-4. Suggested kit:** Hobbycraft Bf109E-4. The lines marked x on the drawing are best scored on the canopy with a sharp knife or scriber. The line on the windshield is on the left side only.
3. **Messerschmitt Bf109B/E. Suggested kit:** Hobbycraft Bf109B, Bf109C, Bf109D, Bf109E-3. The lines marked x on the drawing are best scored with a sharp knife or scriber. **Suggested references:** Squadron/Signal in action N°44, Model Art MeBf109B/E.

4. **Horten Ho 229. Suggested kit:** Dragon Ho229A-1. Our replacement canopy has an altered section around the windshield area for better accuracy and fit. Note that the framing for the fixed windshield is internal. Score the small square access window with a scribe. **Suggested references:** Monogram Close-Up N°12.
5. **Arado Ar234C. Suggested kit:** Hobbycraft Ar234C. In order to fit the lower section we suggest cutting off the rear sections of the kit part and fitting then to the kit fuselage as marked x. Then fit the clear-vax items in place. Please note that the framing around the edges of the clear parts is internal. We suggest painting the framing from the inside with schwarzgrau66 and marking the rivet heads in the outside with a divider point or needle. **Suggested references:** Model Art - German Jets in WWII.
- 6 & 7. **Dornier Do335 "Zerstorer" and Dornier Do335 "Aufklärer" reconnaissance version. Suggested kit:** Monogram Do335A. The clear-vax canopies directly replace the kit items. The blisters on the sides have internal mirrors fitted. Note that the Zerstorer canopy has an armoured windscreen that extends a little further forward than the standard version. Carefully trim the kit fuselage to fit this canopy. **Suggested references:** Monogram Close-Up N°21.
8. **Junkers Ju87D/G Stuka. Suggested kit:** Monogram Ju87D, Ju87G. The clear-vax items directly replace the kit parts. The rear of the pilots sliding section is designed to overlap the fixed centre piece. **Suggested references:** Squadron/Signal in action N°73.
9. **Junkers Ju87B Stuka. Suggested kit:** Airfix Ju87B. The canopy fits in a similar fashion the Ju87D/G.



Produced by
FALCON INDUSTRIES
 P.O. BOX 42-093
 WELLINGTON
 NEW ZEALAND

Falcon Industries is an
 associate member of
 I.P.M.S. New Zealand

