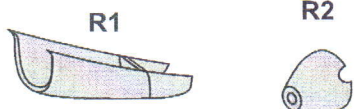


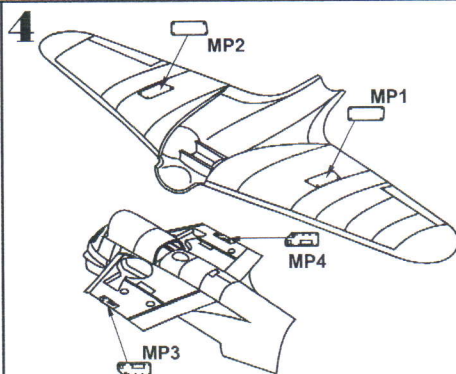
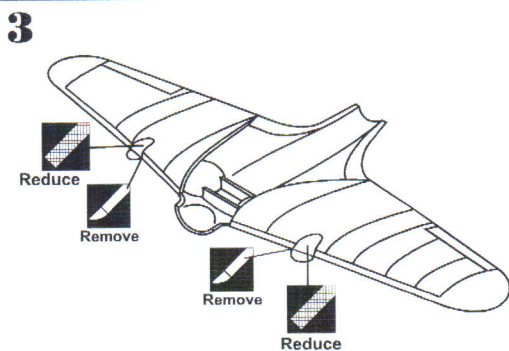
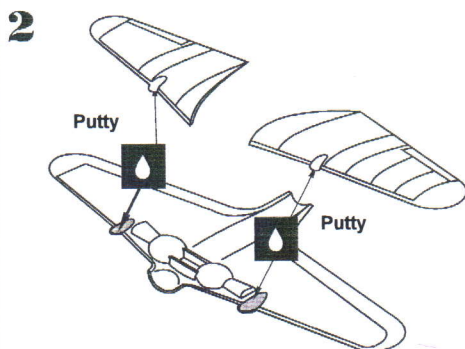
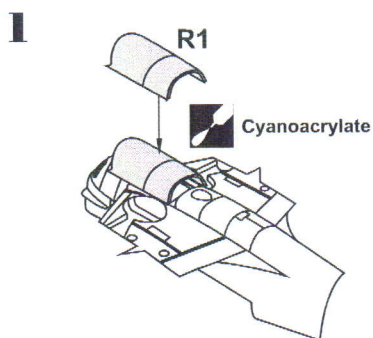
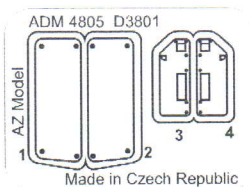
Plastic model

scale : 1/48

Resin parts



Metal parts



Symbols



Open hole



Cyanoacrylate



Remove



Reduce



To make new



Putty



Option

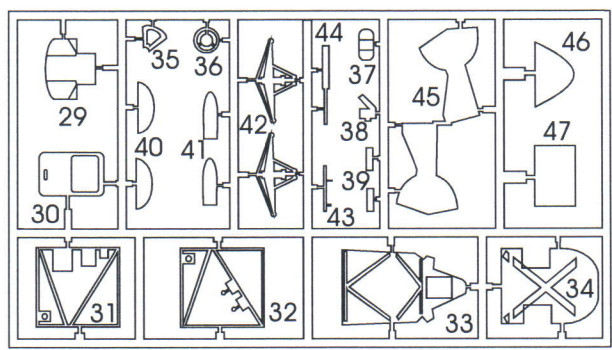
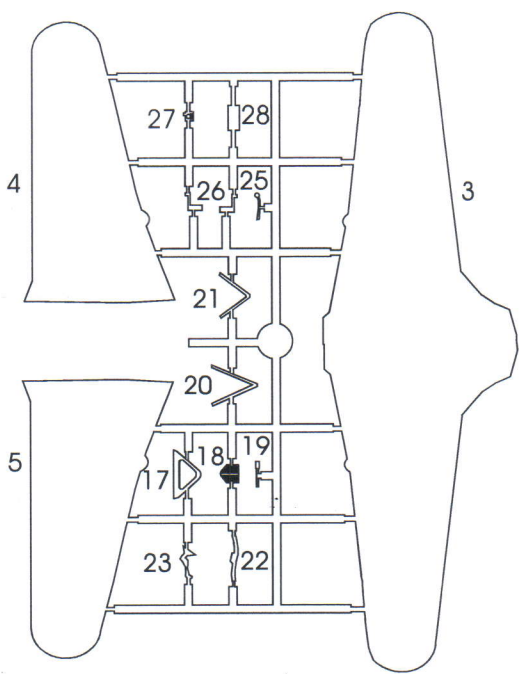
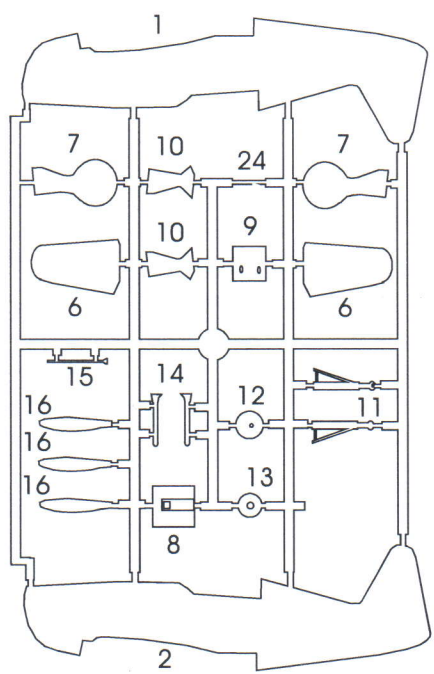


To bend

Morane-Saulnier MS-406 C1

Plastic kits

Scale 1/48



Transparent parts

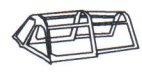
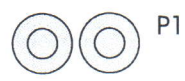


Photo-Etched parts



PUR parts



OPTIONAL
VOLBA



BEND
OHNOUT



OPEN HOLE
VYVRTAT OTVOR



SYMMETRICAL ASSEMBLY
SYMETRICKÁ MONTÁŽ

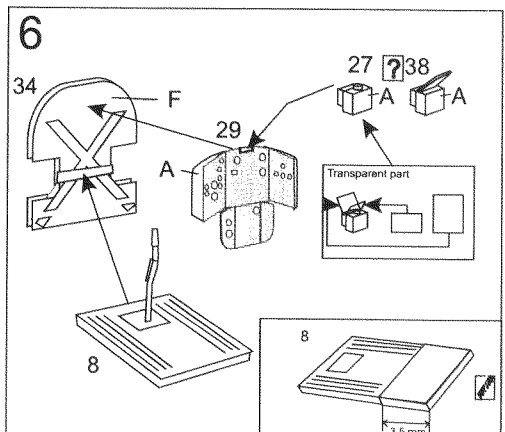
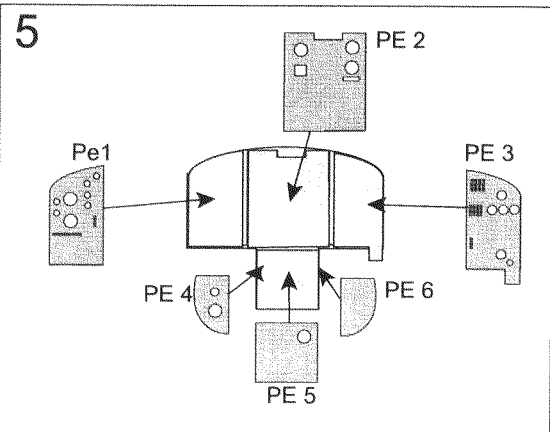
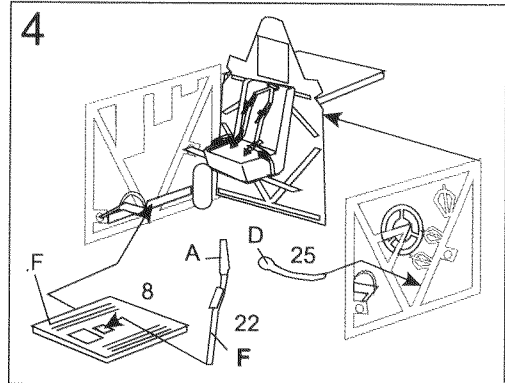
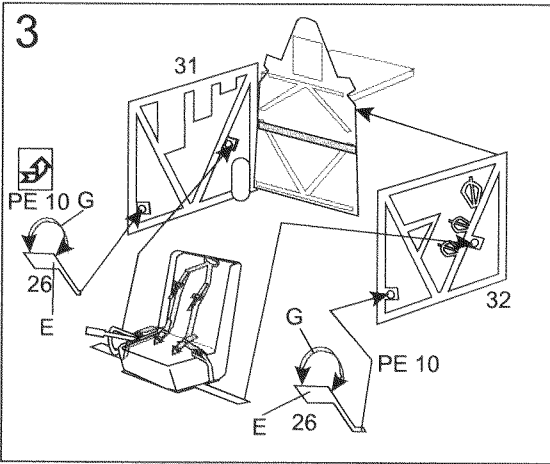
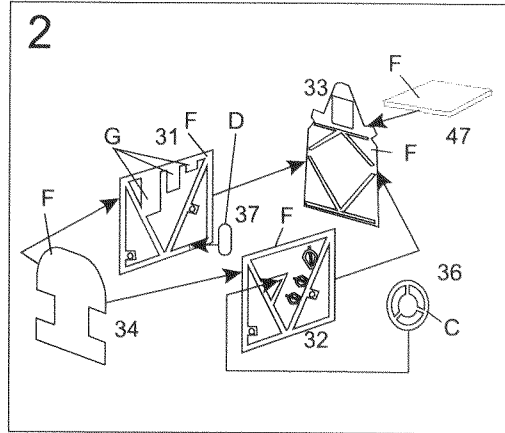
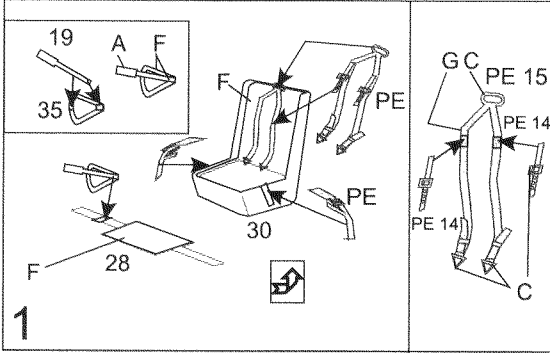


A NOTH
ŽÁŘEZ

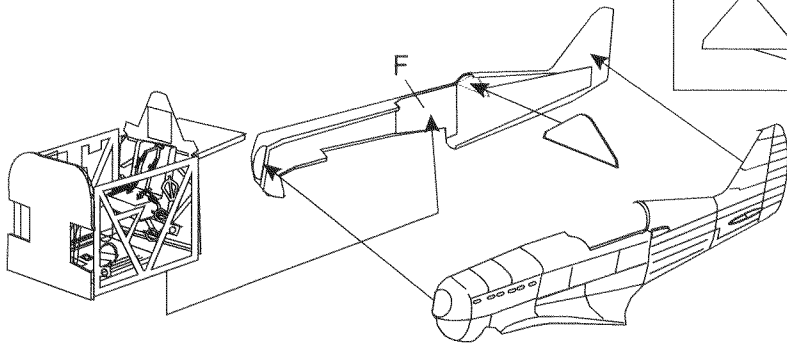


REMOVE
ODŘÍZNOUT

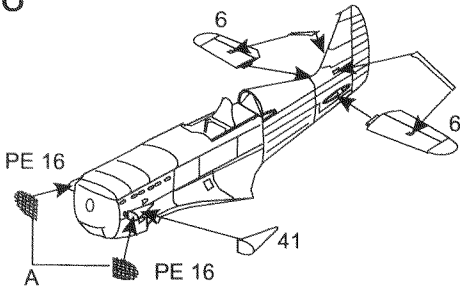
	Colour name	Number	Colour name	Number
A	Black		F	Light Aircraft Grey
B	White		G	Lether
C	Silver		H	
D	Red			
E	Olive Drab			



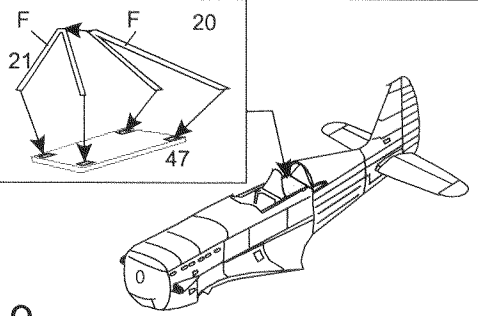
7



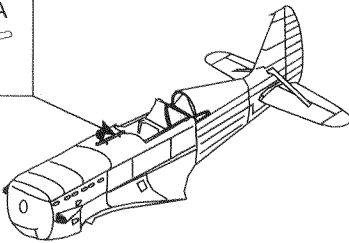
8



9

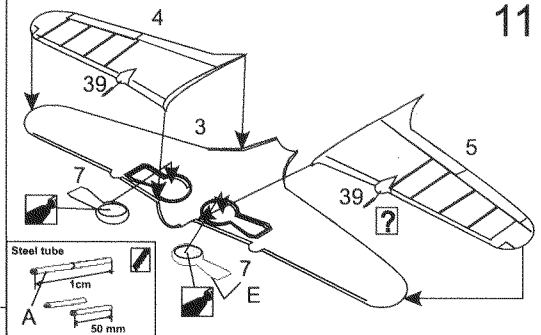


PE 13
A
43

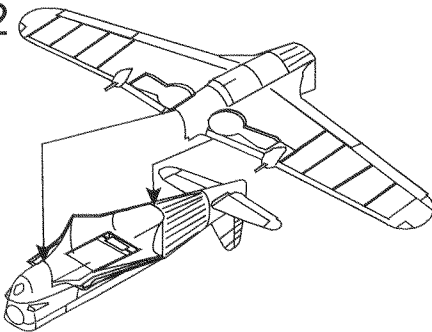


10

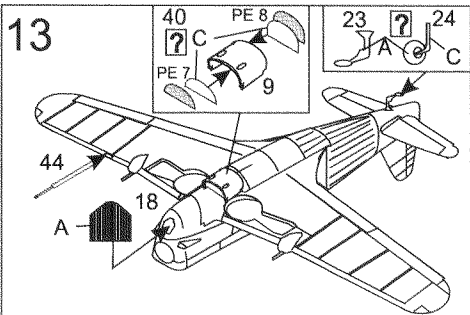
11



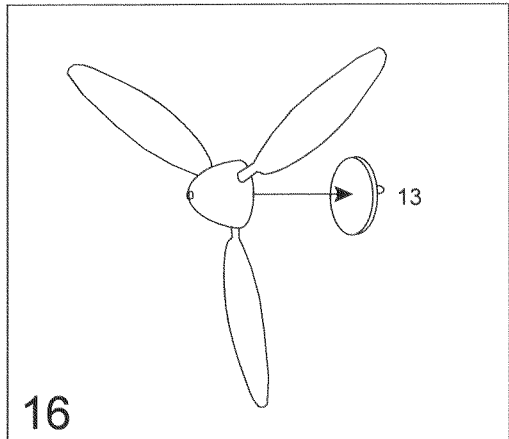
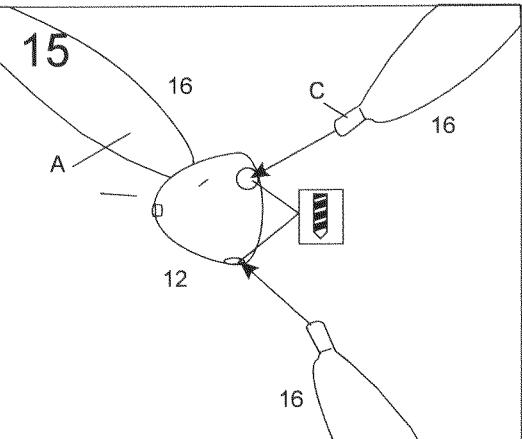
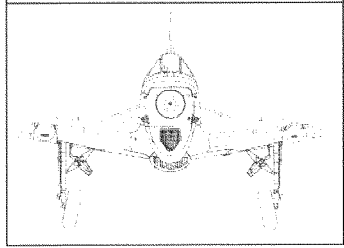
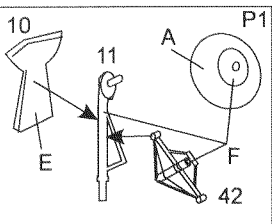
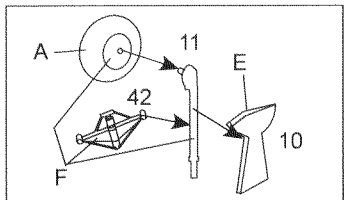
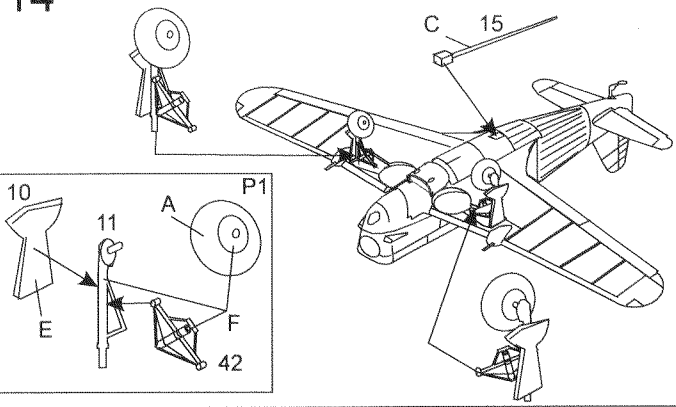
12



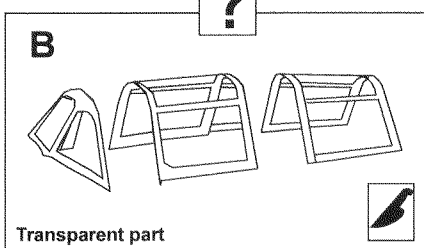
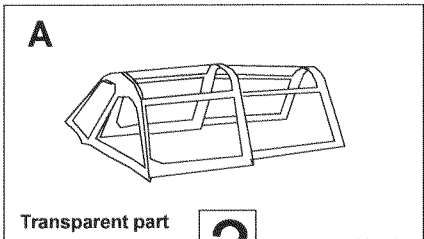
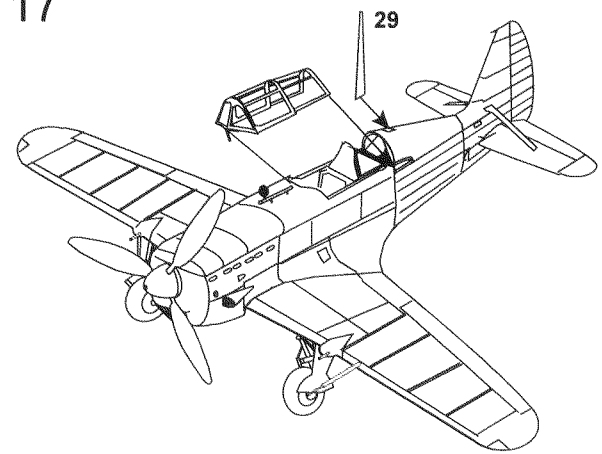
13



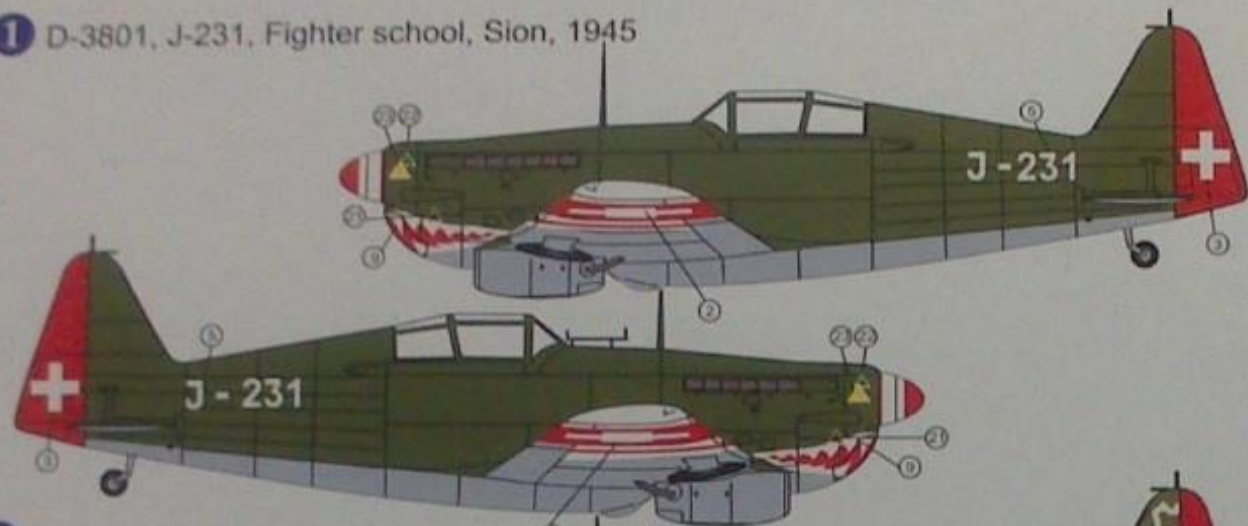
14



17

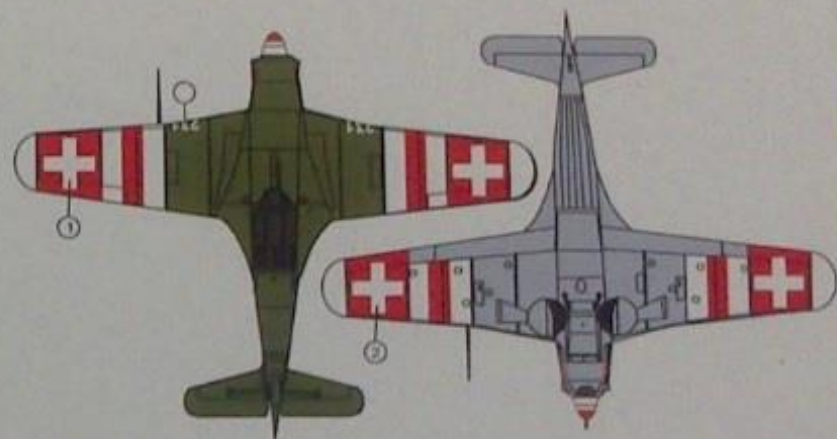


1 D-3801, J-231, Fighter school, Sion, 1945

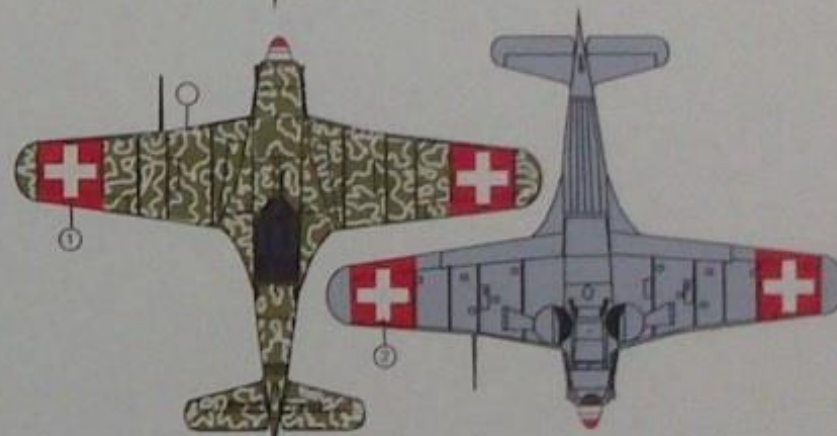
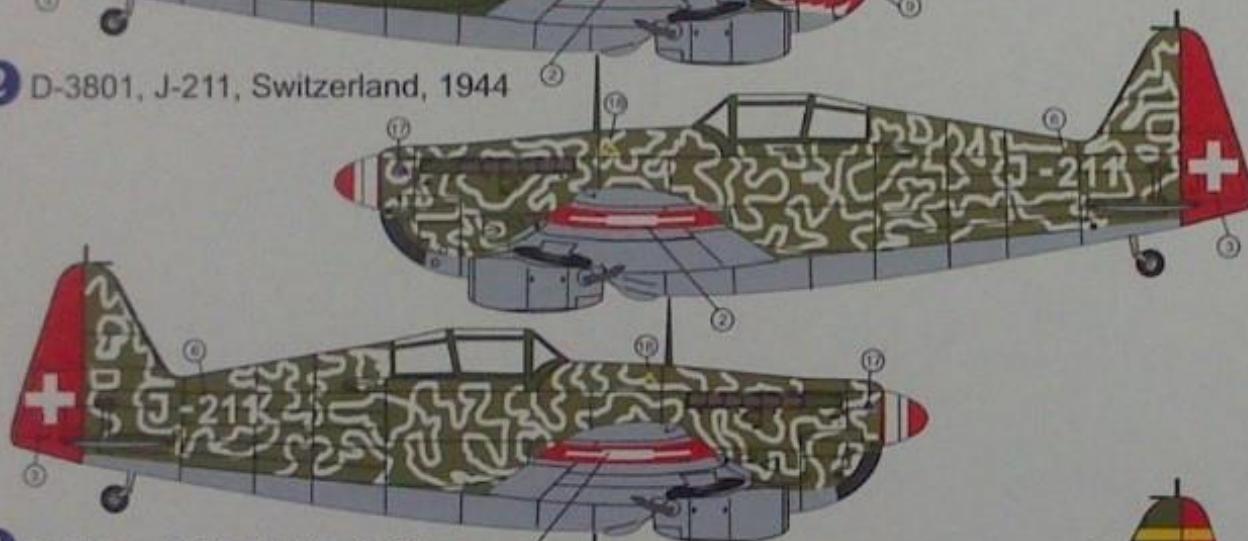


Paint Numbers:
HUMBROL

30	65	34	60	33	24
Dark Green	Light Blue	White	Red	Black	Yellow



2 D-3801, J-211, Switzerland, 1944



3 D-3801, J-199, Fl. Kp. 3, Sion, summer, 1944

