

1/32 SCALE

# Messerschmitt Bf 109G-2/Trop

德国BF109G-2/Trop热带改装战斗机

## READ BEFORE ASSEMBLY:

- Study and understand these instructions thoroughly before beginning assembly
- When needed, remove photo-etch parts carefully using a modeling knife or photo etch sprue cutter, being careful not to damage or lose small parts.
- Take extra care in handling photo etch parts in order to avoid injury
- Apply instant cement sparingly to photo etch parts where instructed

- Tools recommended(not included in kit):Plastic and instant cements,sprue cutters,long nose pliers,modeling knife, small files, tweezers, pin vise & scissors. Soft cloth and sandpaper will also assist in construction
- Glue and paint are not included in the kit. Use plastic cement and hobby paints only. Color guide for purchasing paint is included in the kit.

## 装配之前仔细阅读

- 小心用模型锉刀锉平所有零件表面的注射浇口。
- 小心用刀片切下蚀刻片零件，不要遗失小零件。
- 用强力快干胶水粘合蚀刻片零件和金属轴。过量快干胶水，使用可能导致可动零件会粘住，小心涂胶。
- 取蚀刻片时应特别注意安全，防止利边划伤手指。
- 某些零件表面需贴水上贴纸，请选择在装配的同时进行。
- 推荐模型工具(自备)：胶水，水口剪刀，长咀钳，刀片，锉刀，镊子，钳，钻，剪刀，瞬间快干胶。
- 软布同砂纸同时也应该是必备工具。
- 请使用塑料胶水和油漆，模型内不含。

## 水贴纸的使用:

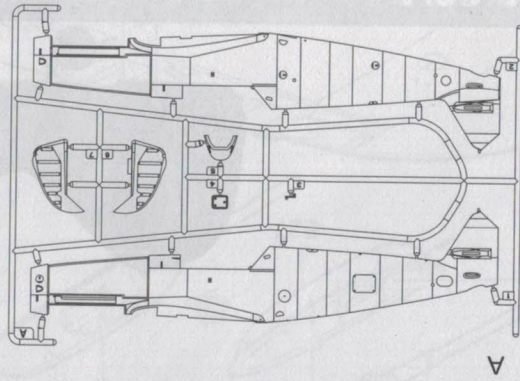
1. 从水贴纸上剪下印花;
2. 将印花放入温水中浸10秒，然后放在干净布上。
3. 拿着印花纸板将印花移到模型上;
4. 手指蘸水将印花移到适当的位置;
5. 用软布轻压印花直至水干，气泡消失。

## DECAL APPLICATION:

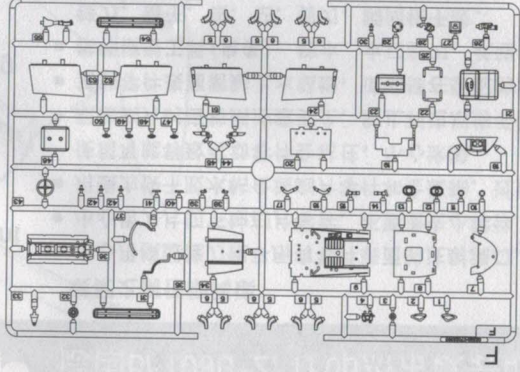
1. Cut decals from sheet as needed
2. Dip the decal in warm water for about 10 seconds and then place on soft clean cloth.
3. Hold the decal backing sheet edge and gently slide the decal onto the model in its proper position.

4. While still wet, decal can be adjusted for better fit on model by dampening it gently with your finger.
5. When placed in the proper position, gently press decal down with a soft cloth until excess water and air bubbles are gone.
6. Allow decal to dry completely before handling model

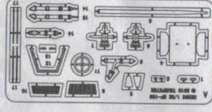
cyanoacrylate glue  
使用强力胶weight  
配重make hole  
钻孔cut / remove  
切除option  
选择no cement  
不涂胶水decal  
贴纸bend  
弯曲file / sand  
锉平



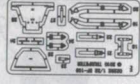
A



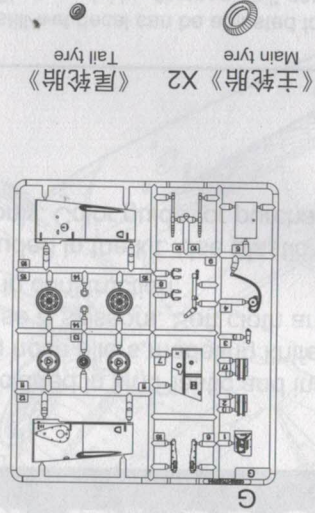
F



《蚀刻片》A  
Photo etched part(E)A

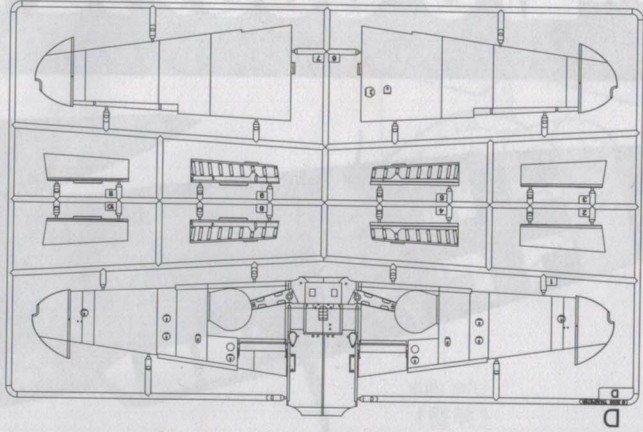


《蚀刻片》B  
Photo etched part(E)B

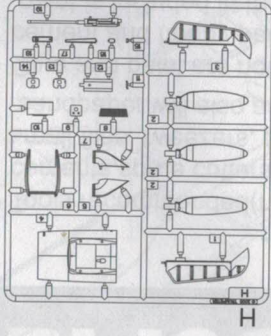


《主轮胎》X2  
Main tyre

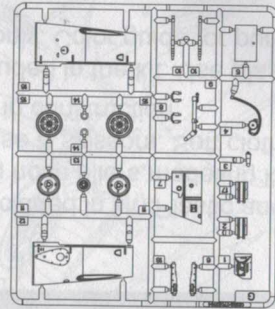
《尾轮胎》  
Tail tyre



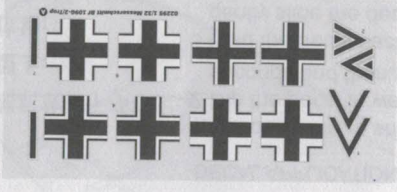
D



H

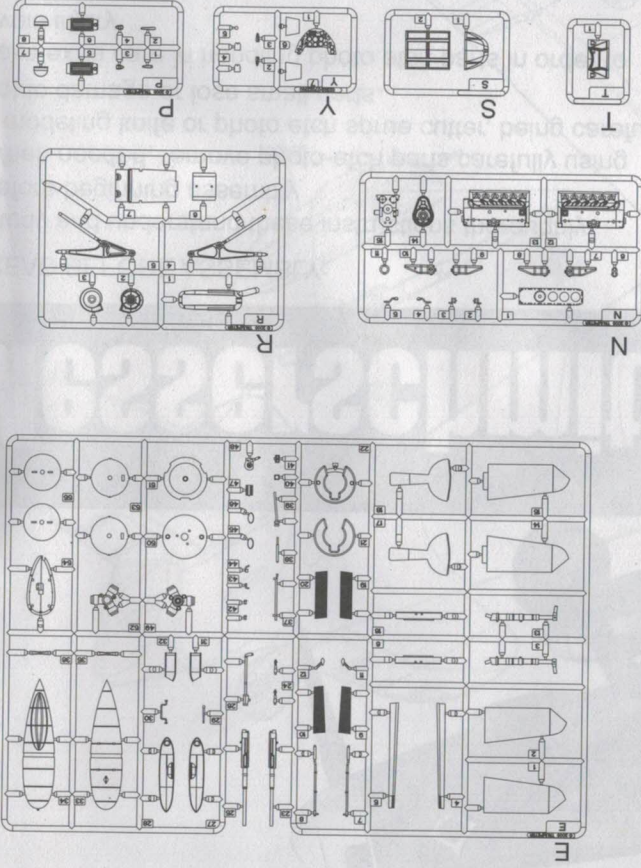


G

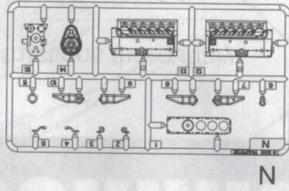


《水贴》  
Decal

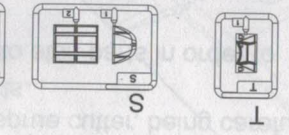
不用的部件: E45 E46 H5 H7 Y6 Y7 PE3 PE9 PE18  
PE19 PE20 PE21 PE22 PE24



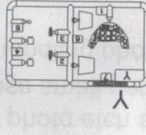
F



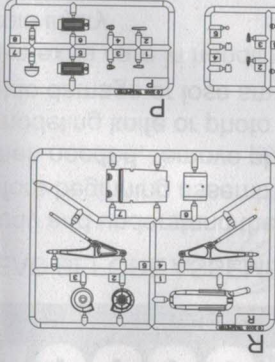
N



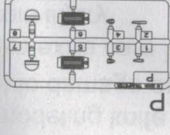
S



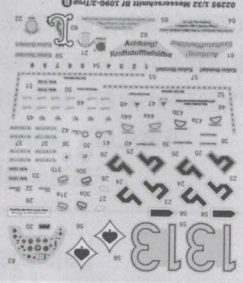
Y

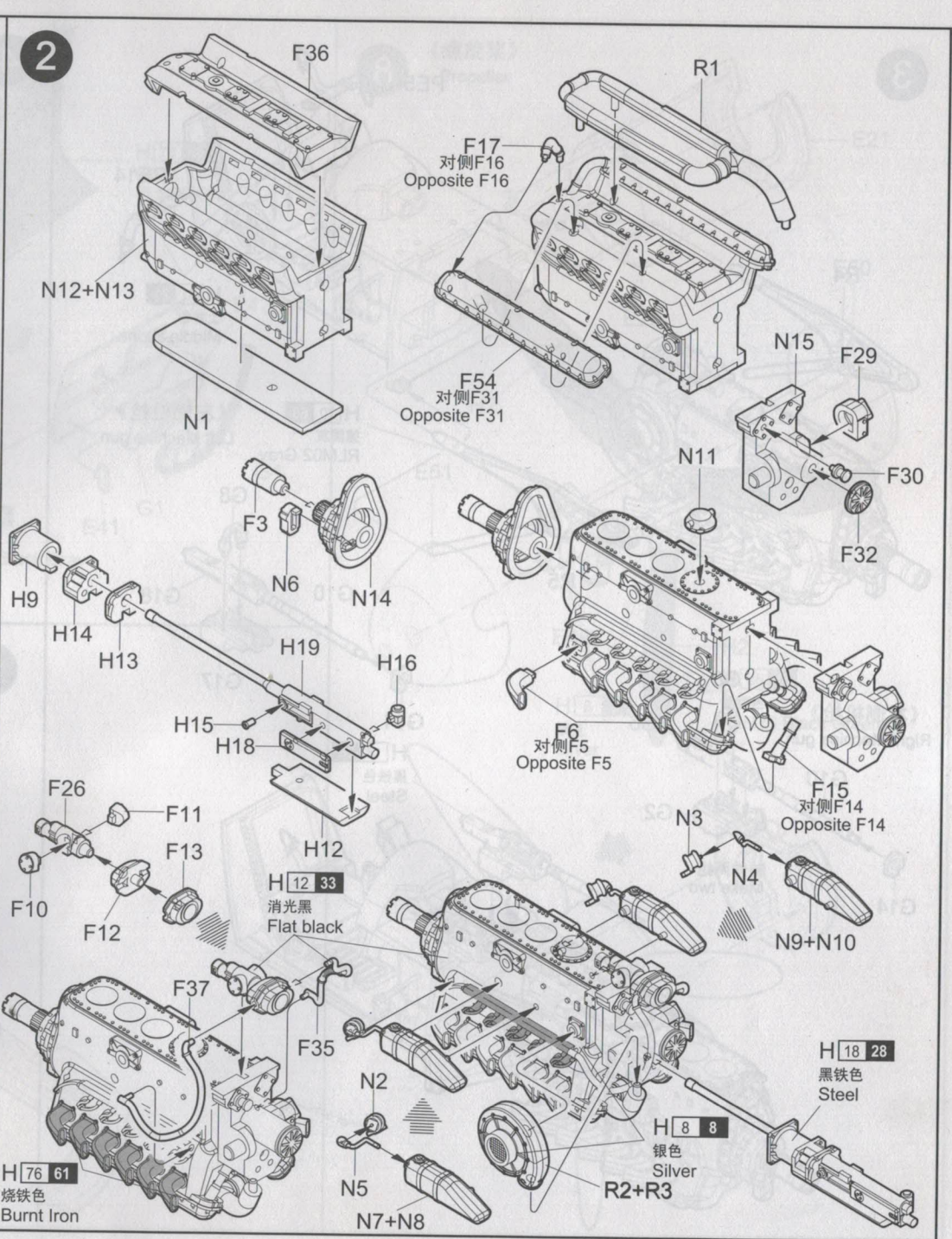
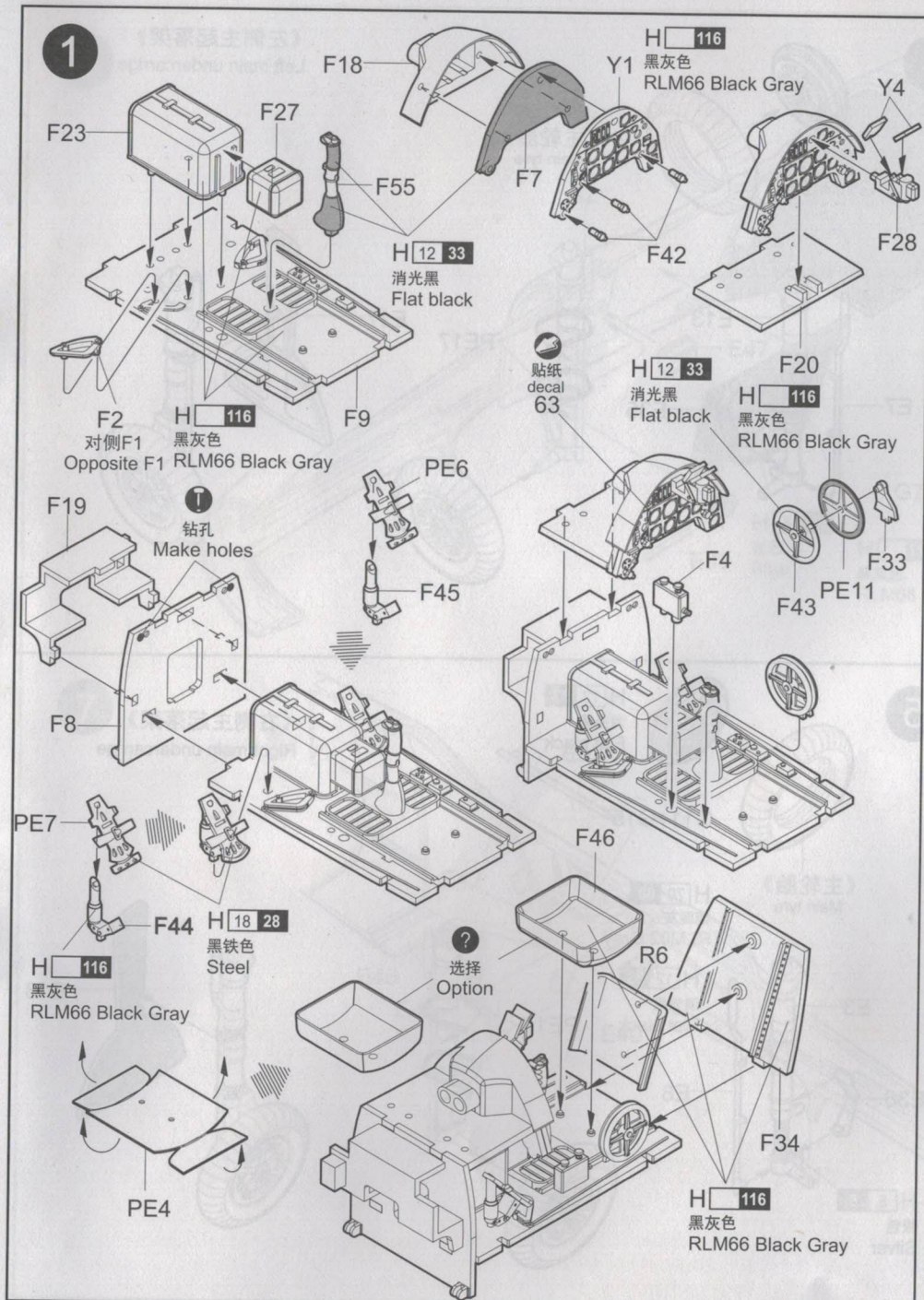


R

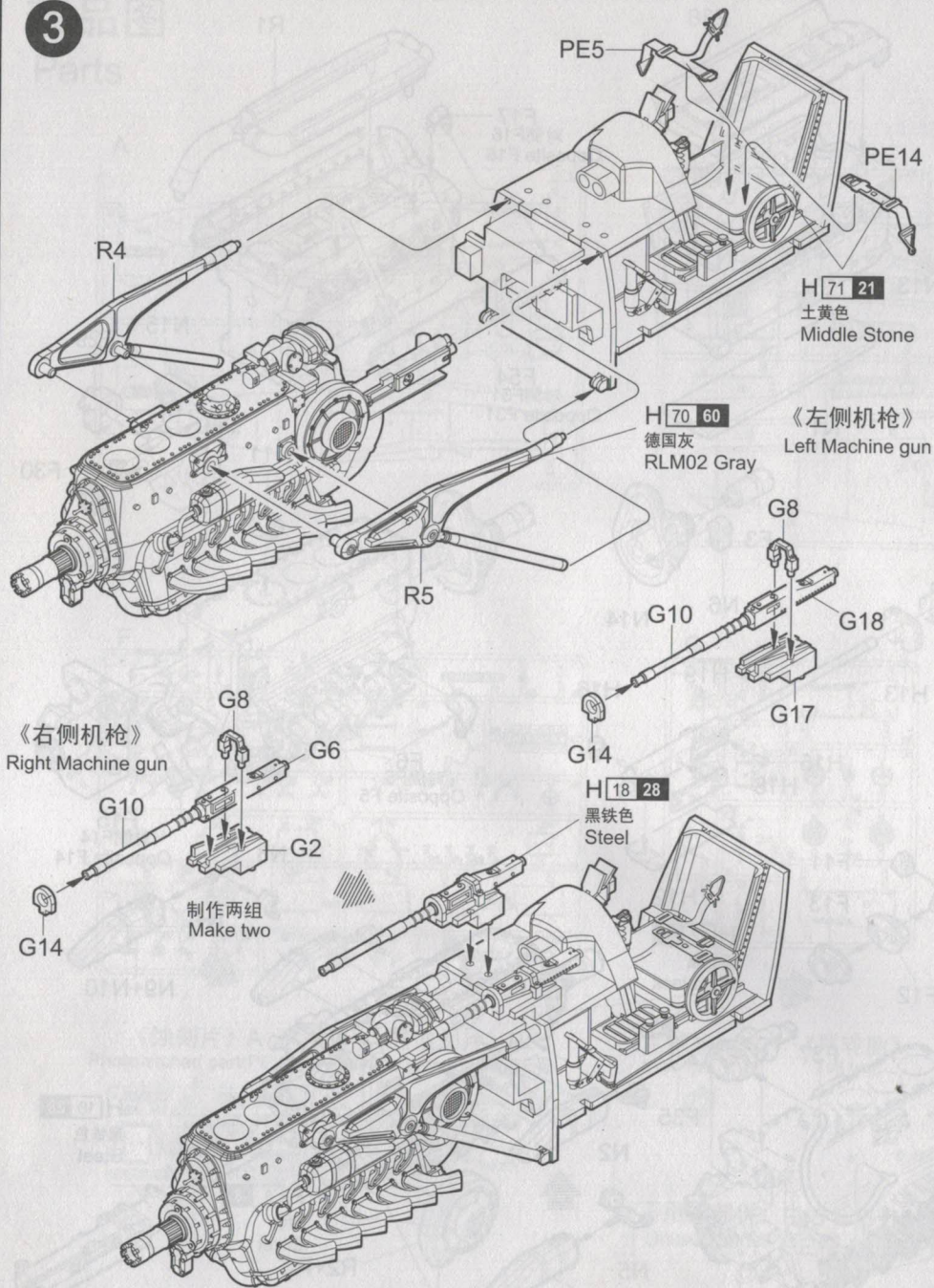


P

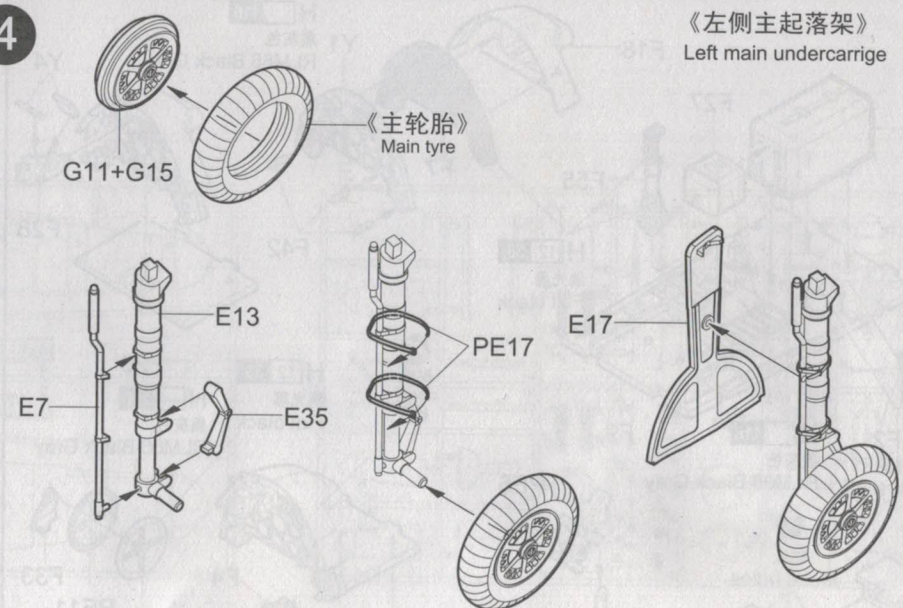




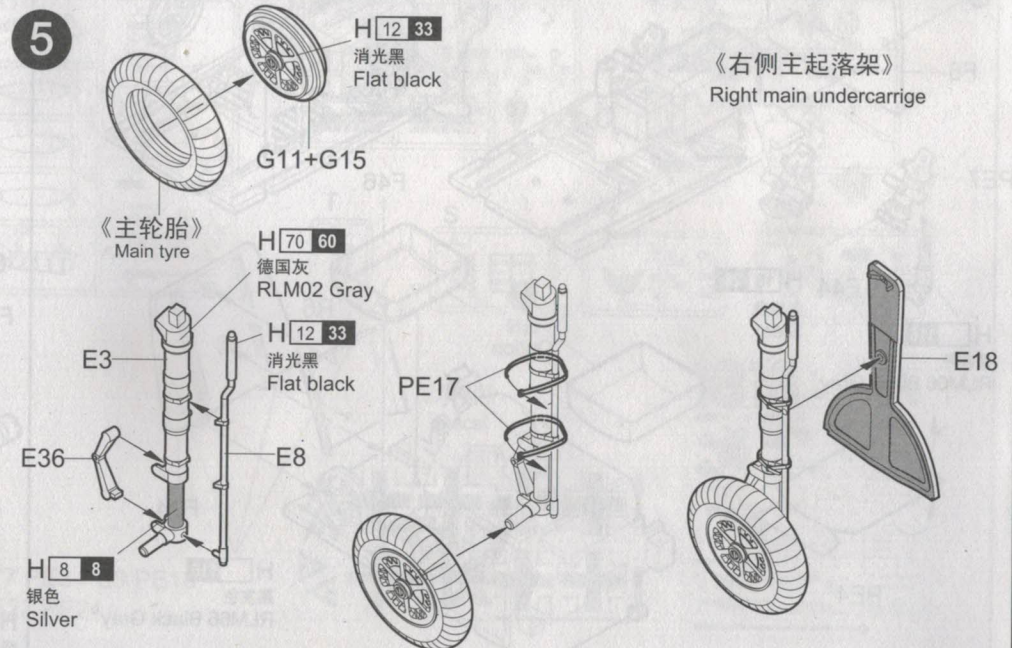
3



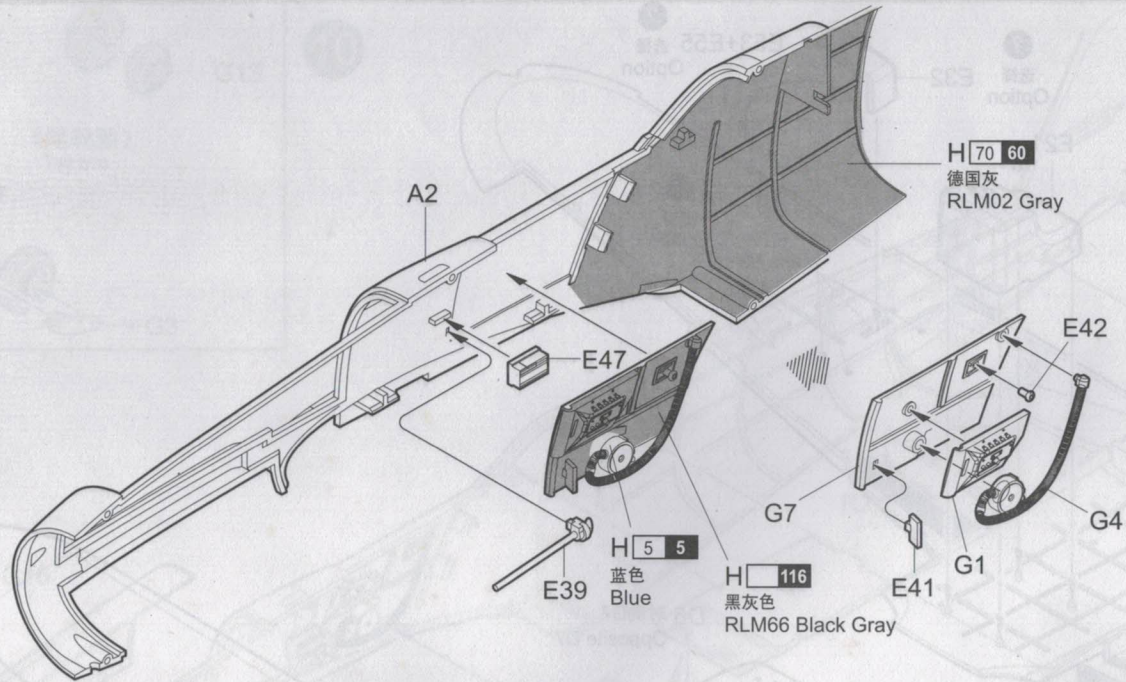
4



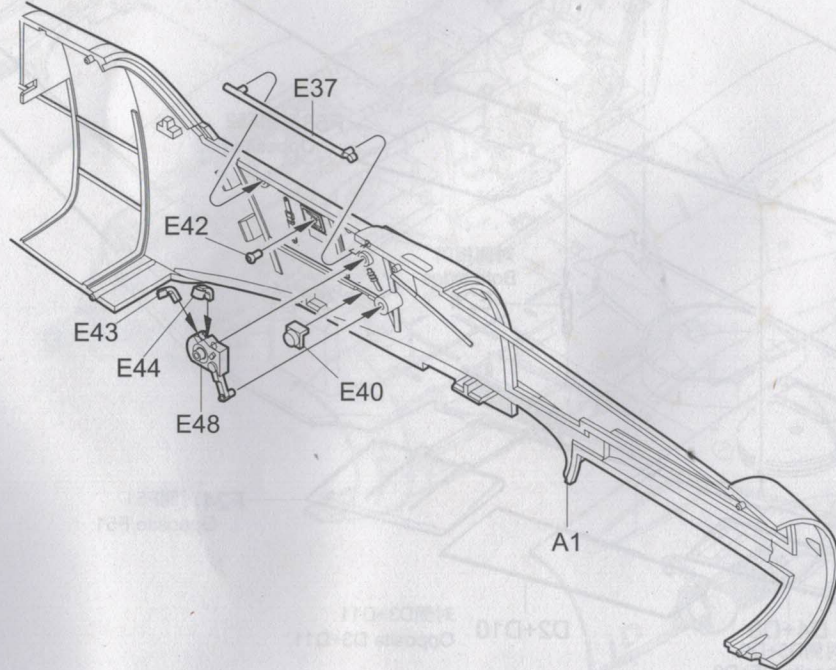
5



6

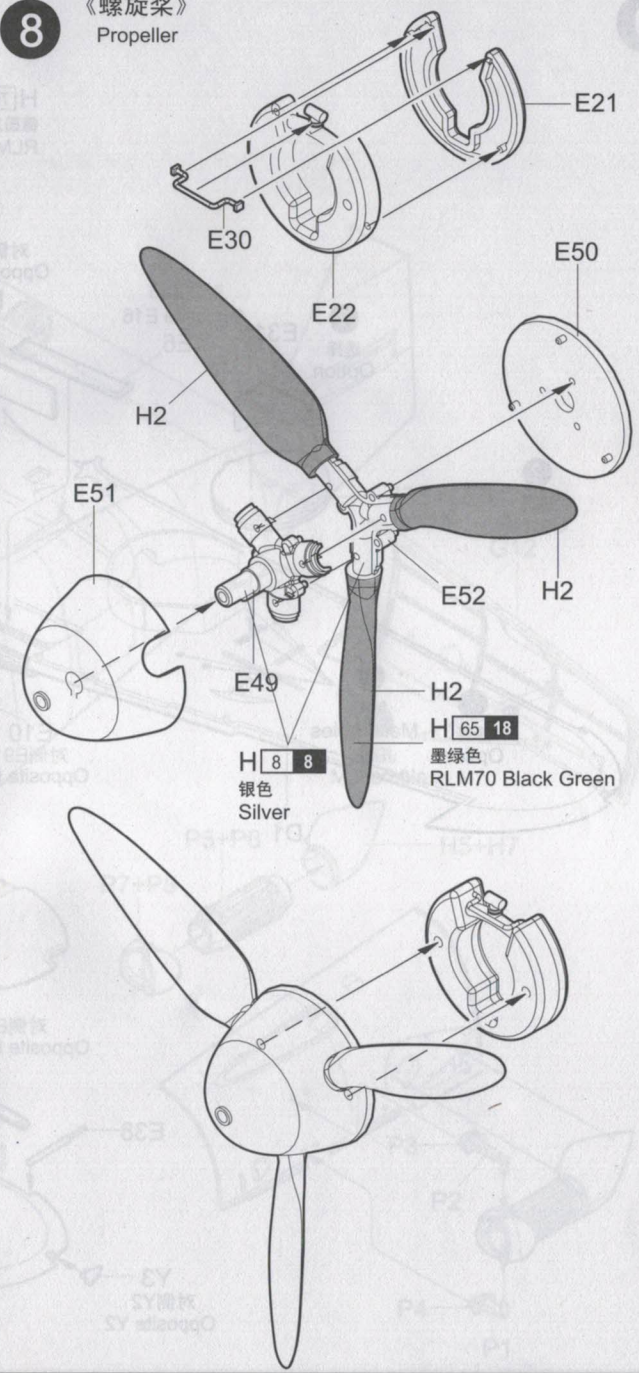


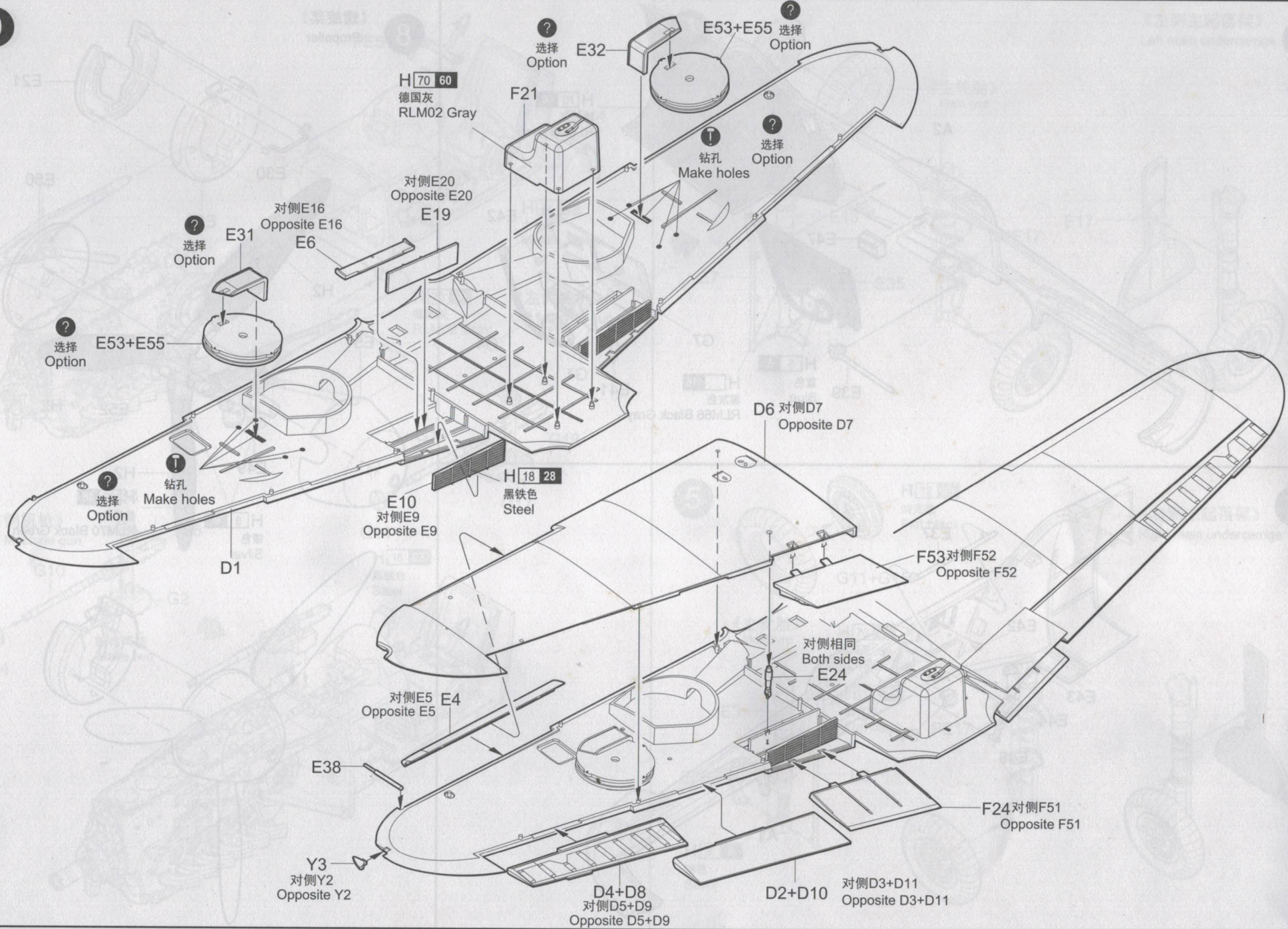
7



8

《螺旋桨》  
Propeller





10

《尾轮胎》  
Tail tyre

G13

G9

G3

R7

G16

G12

①  
钻孔  
Make holes

P5+P6

H5+H7

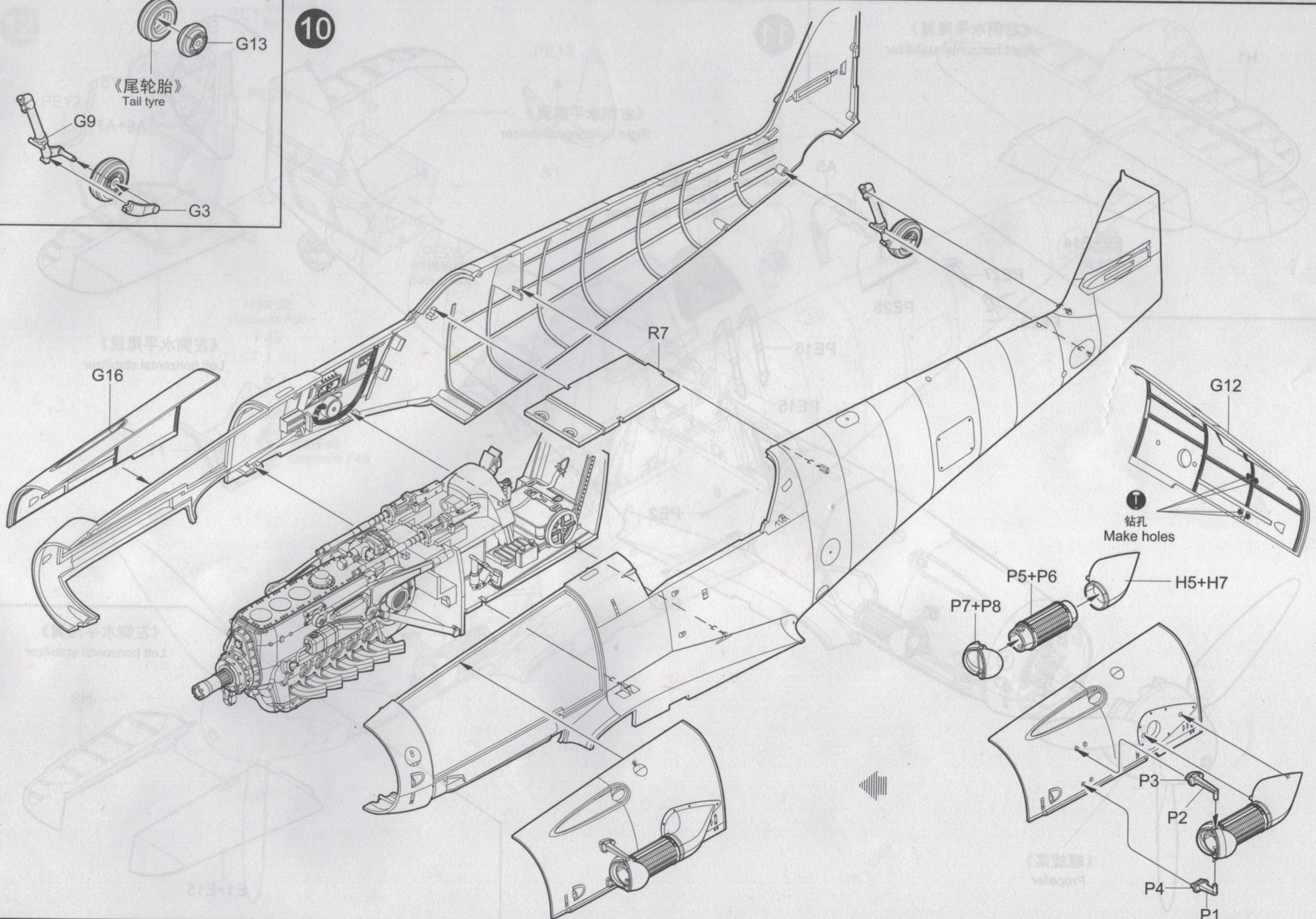
P7+P8

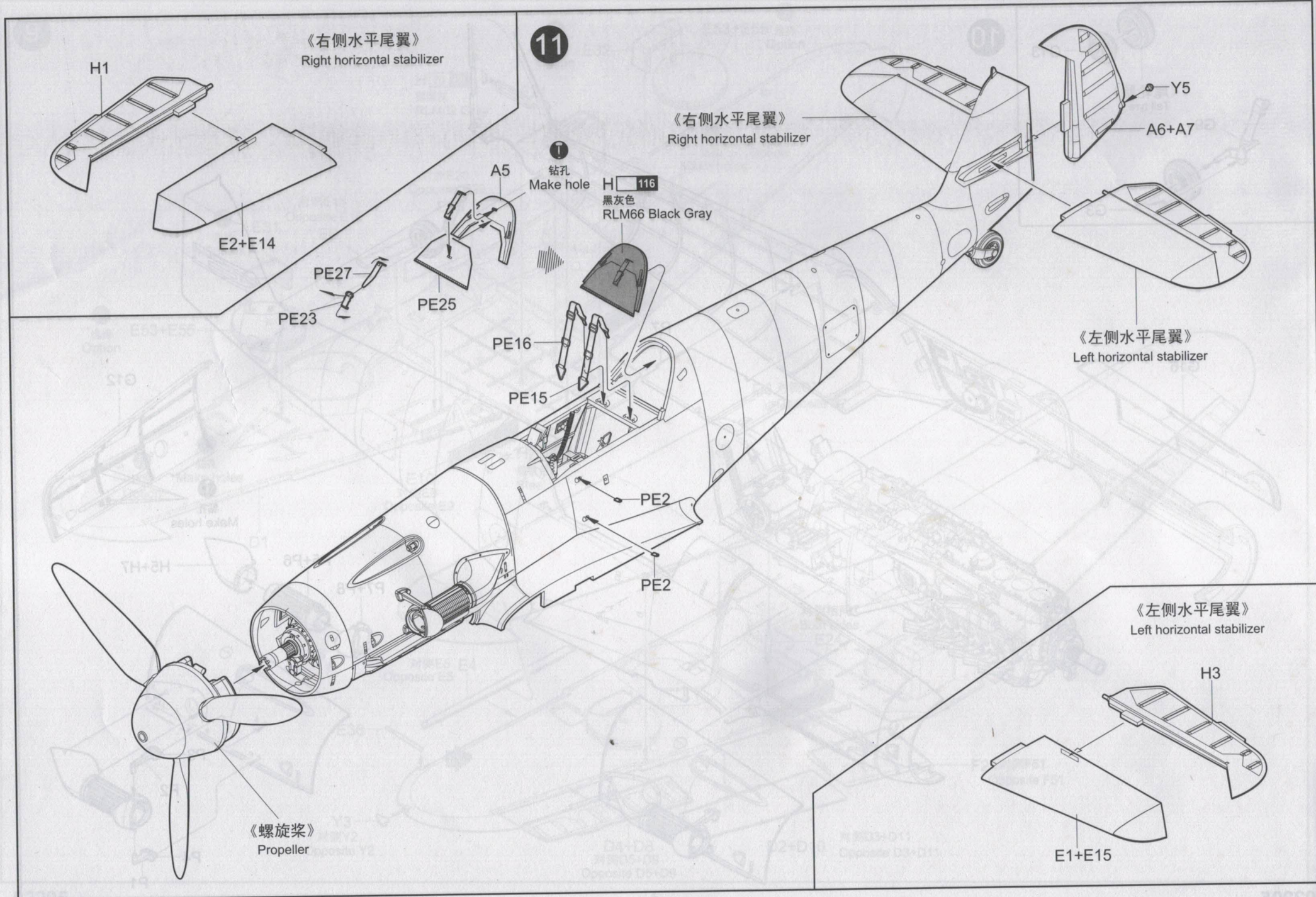
P3

P2

P4

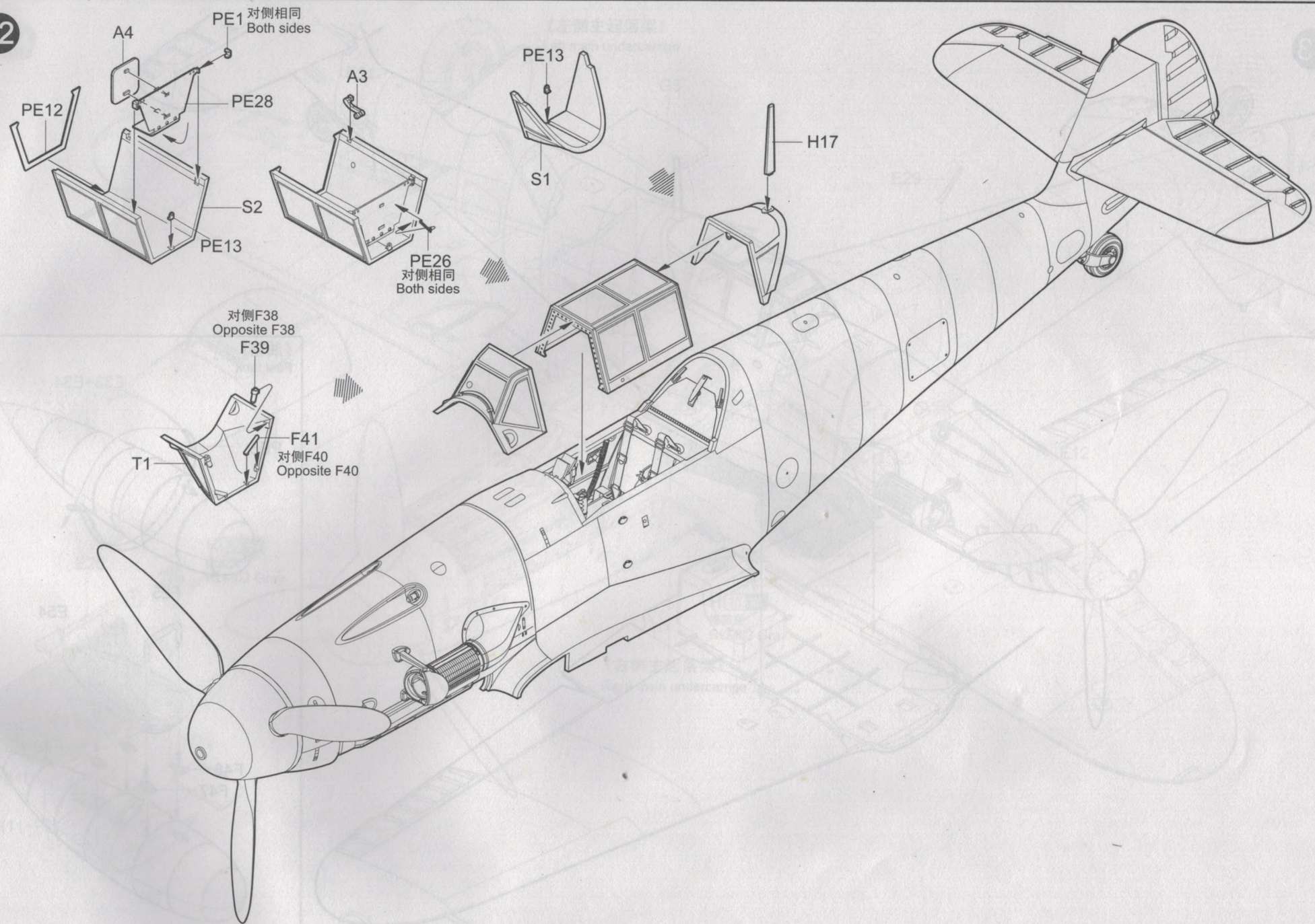
P1



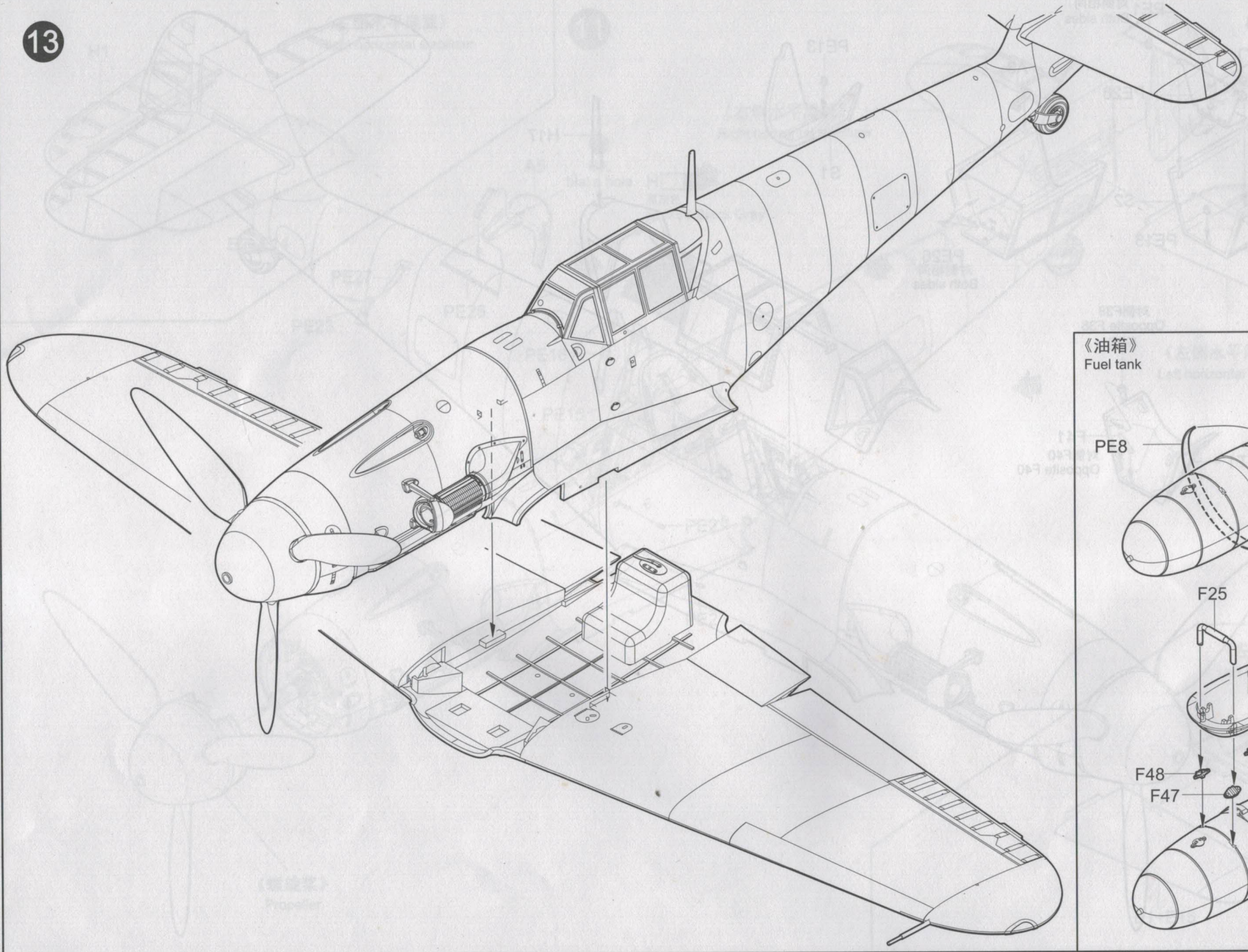




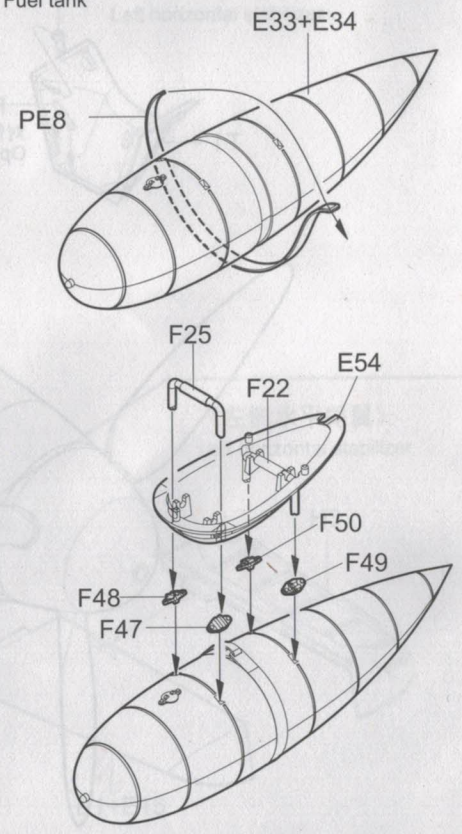
12



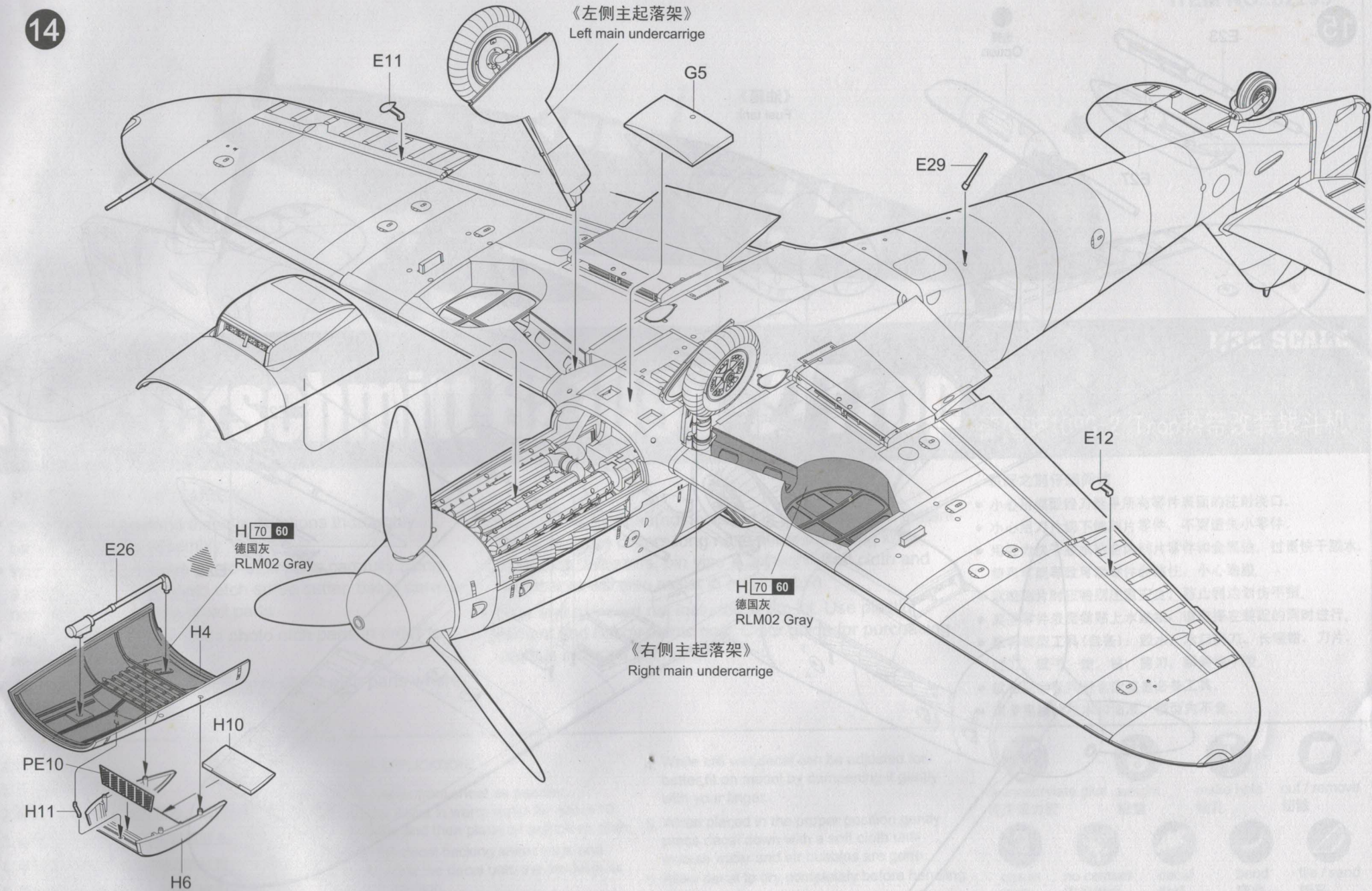
13



《油箱》  
Fuel tank



《左侧主起落架》  
Left main undercarriage

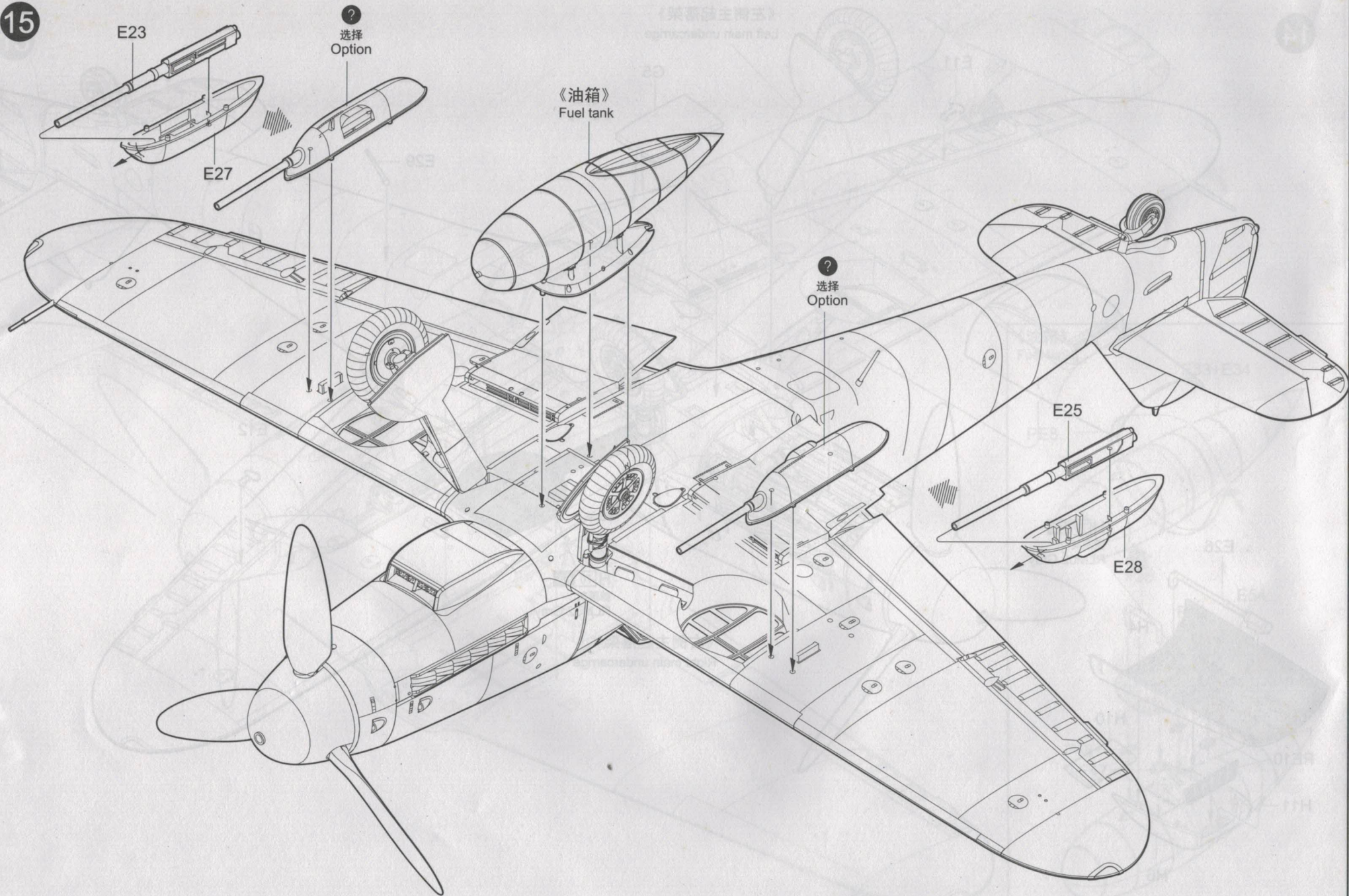


《右侧主起落架》  
Right main undercarriage

H70 60  
德国灰  
RLM02 Gray

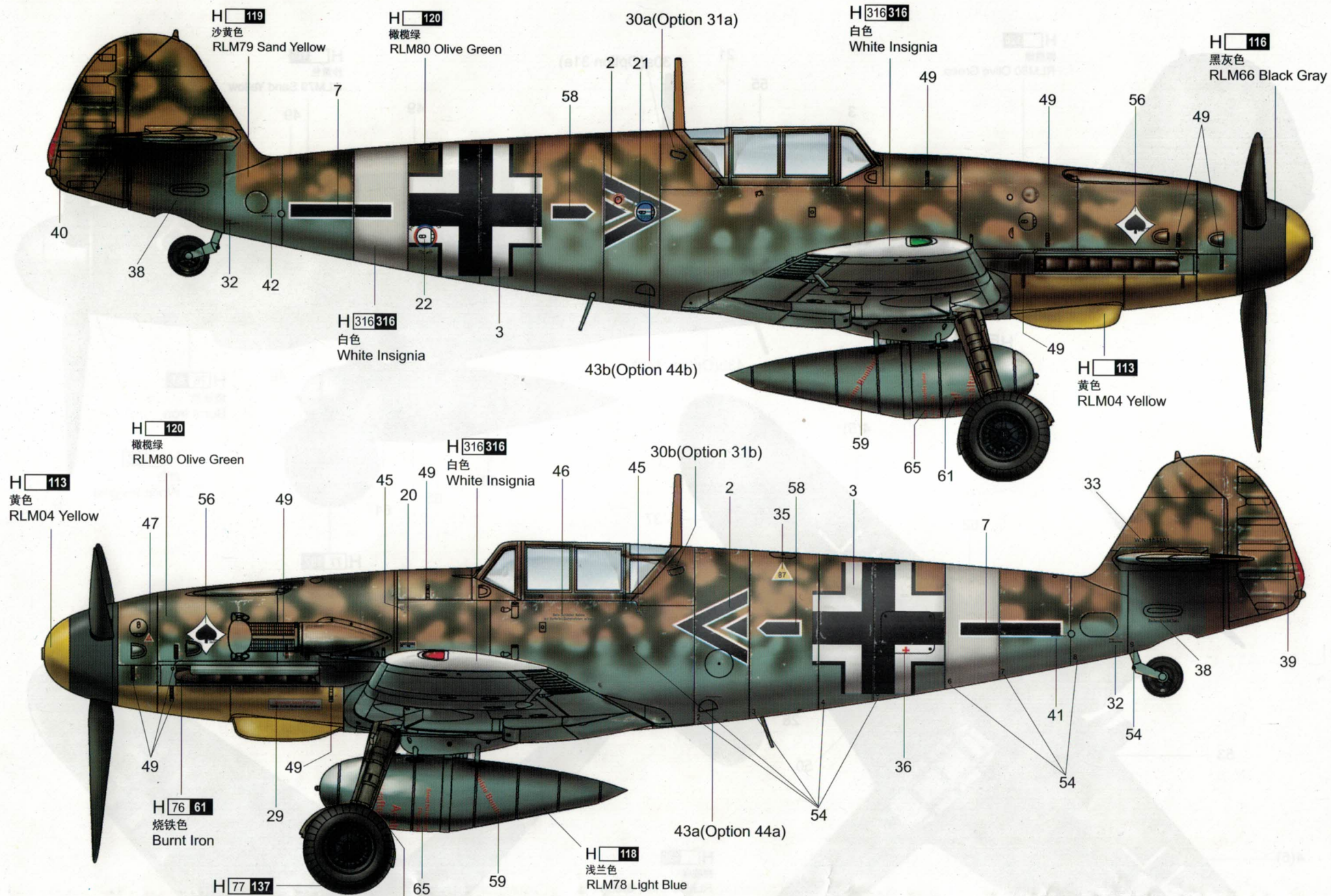
H70 60  
德国灰  
RLM02 Gray

15

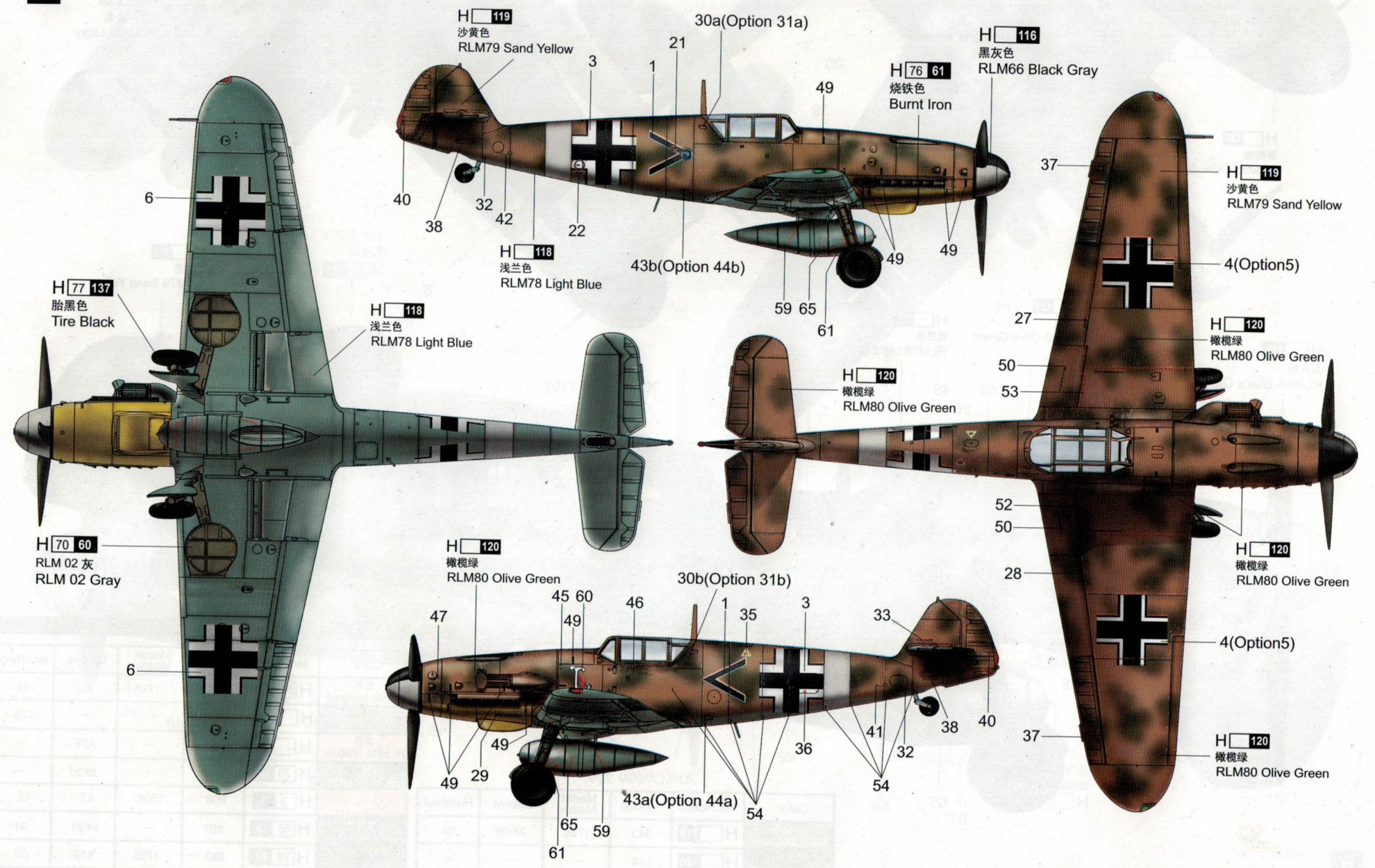


# 涂装同标贴指示 Painting & Marking guide

**B**



C



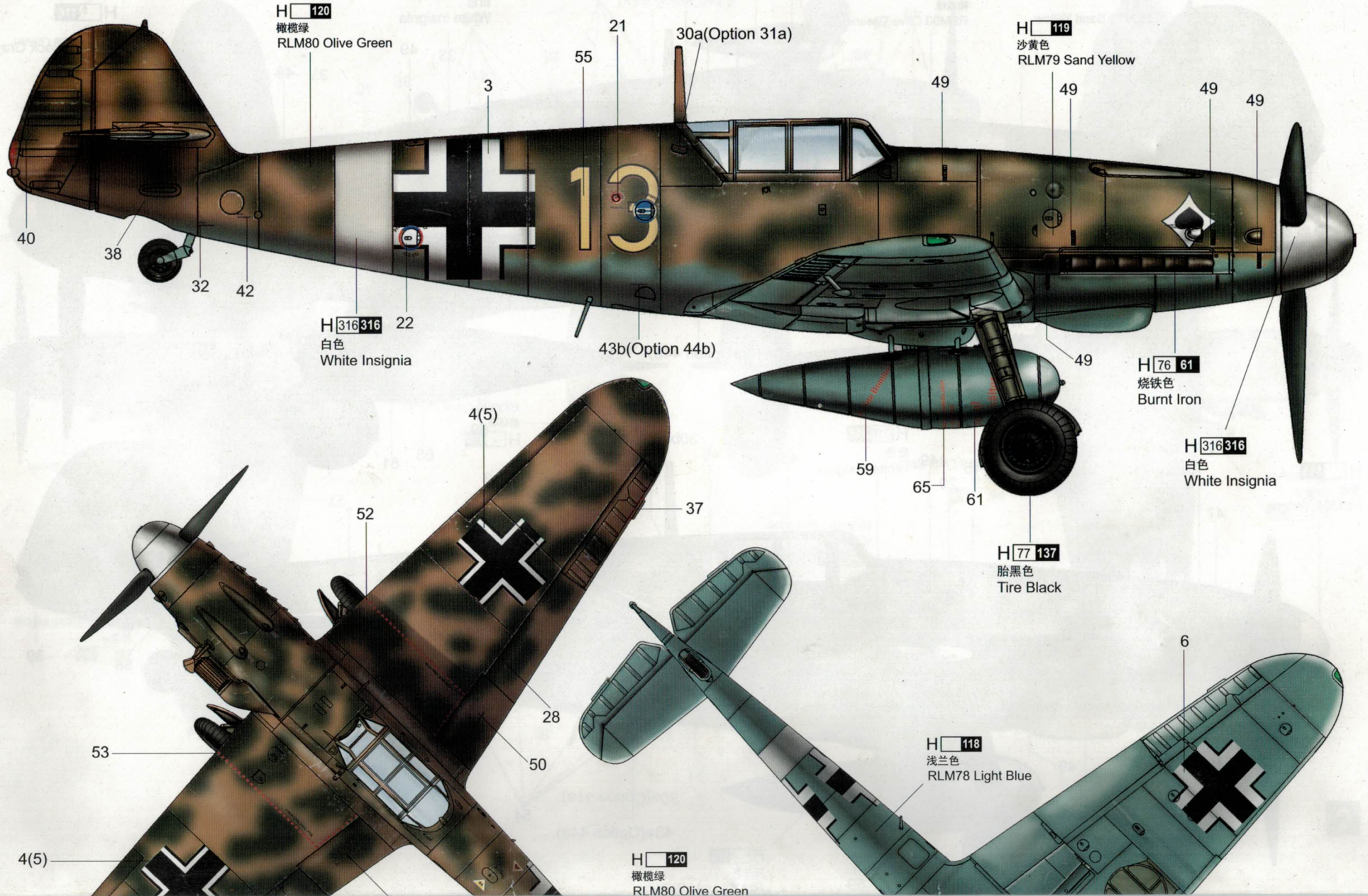
02295 1/32 Messerschmitt Bf 109G-2/Trop

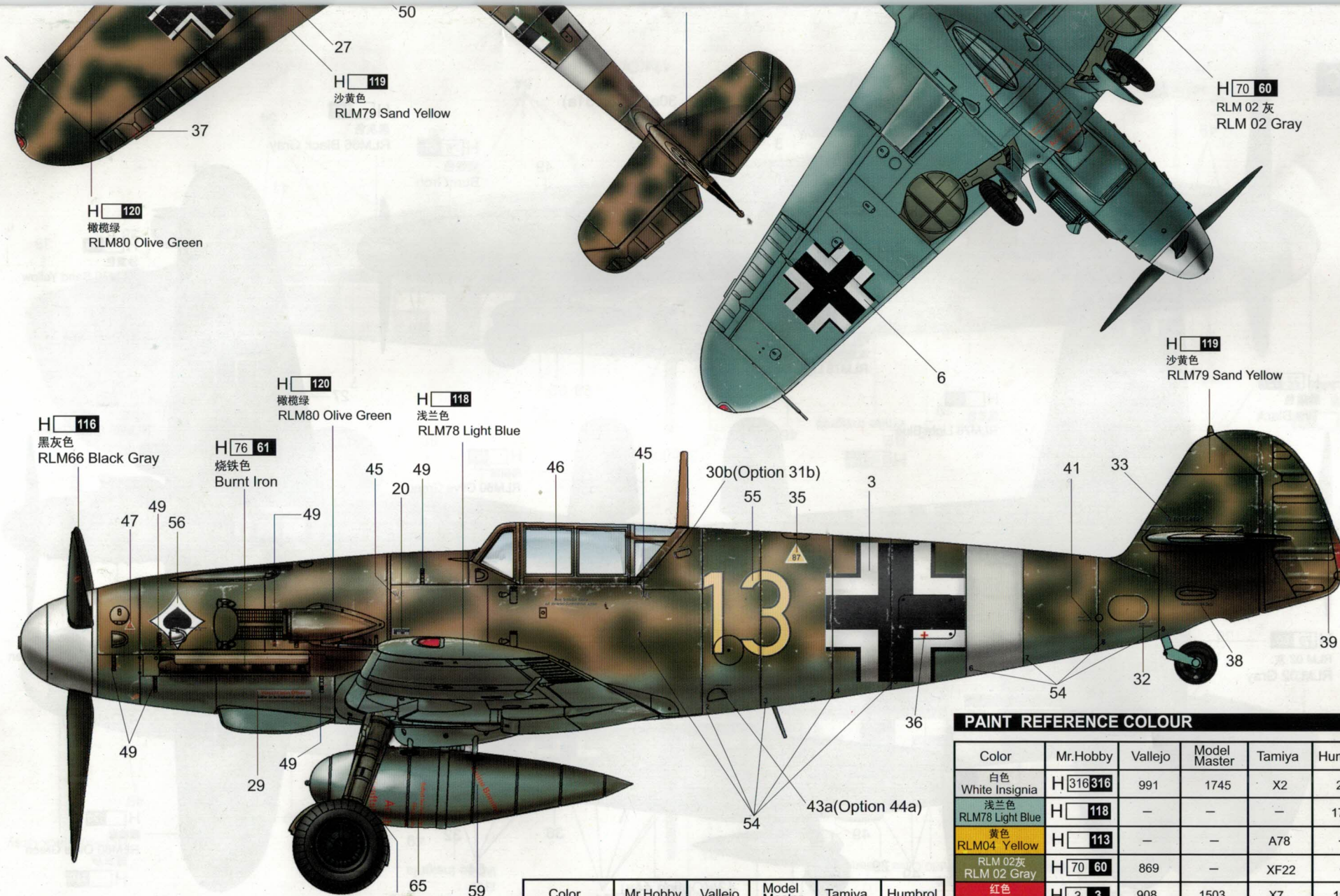
H X AQUEOUS HOBBY COLOR X Mr. COLOR

# 涂装同标贴指示

## Painting & Marking guide

**A**





H 119  
沙黄色  
RLM79 Sand Yellow

H 70 60  
RLM 02 灰  
RLM 02 Gray

H 120  
橄榄绿  
RLM80 Olive Green

H 119  
沙黄色  
RLM79 Sand Yellow

H 120  
橄榄绿  
RLM80 Olive Green

H 118  
浅兰色  
RLM78 Light Blue

H 116  
黑灰色  
RLM66 Black Gray

H 76 61  
烧铁色  
Burnt Iron

**PAINT REFERENCE COLOUR**

Color	Mr.Hobby	Vallejo	Model Master	Tamiya	Humbrol
白色 White Insignia	H 316 316	991	1745	X2	22
浅兰色 RLM78 Light Blue	H 118	-	-	-	175
黄色 RLM04 Yellow	H 113	-	-	A78	-
RLM 02灰 RLM 02 Gray	H 70 60	869	-	XF22	-
红色 Red	H 3 3	908	1503	X7	19
墨绿色 RLM70 Black Green	H 65 18	897	-	XF27	91
烧铁色 Burnt Iron	H 76 61	863	1795	X10	53
胎黑色 Tire black	H 77 137	-	-	-	-

Color	Mr.Hobby	Vallejo	Model Master	Tamiya	Humbrol
沙黄色 RLM79 Sand Yellow	H 119	843	1735	XF59	63
橄榄绿 RLM80 Olive Green	H 120	849	-	-	-
黑灰色 RLM66 Black Gray	H 116	866	1788	XF24	32

H X AQUEOUS HOBBY COLOR      X Mr. COLOR

02295 1/32 Messerschmitt Bf 109G-2/Trop