

PANTHER Ausf.G

 LATE PRODUCTION 黑豹G后期型



03.02.35001

BLITZ
SUPER
by TAKOM

READ BEFORE ASSEMBLY

CAUTION

- Read carefully and fully understand the instructions before commencing assembly. A supervising adult should also read the instructions if a child assembles the model.
- When assembling this kit, tools including knives used. Extra care should be taken to avoid personal injury.
- Keep out of reach of small children. Children must not be allowed to suck any part, or pull vinyl bag over their heads.



Be Careful



Optional



Remove



Drill



Fill Holes



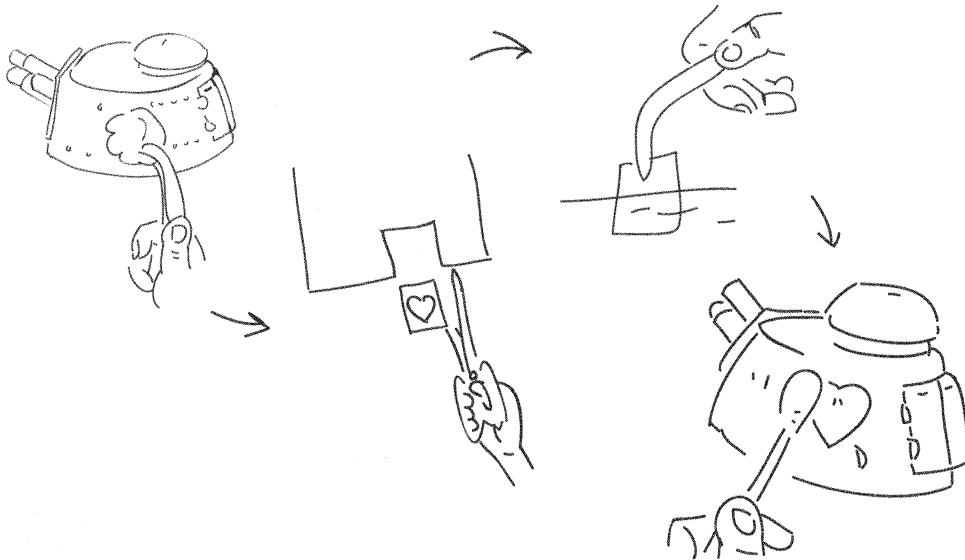
Do Not Cement



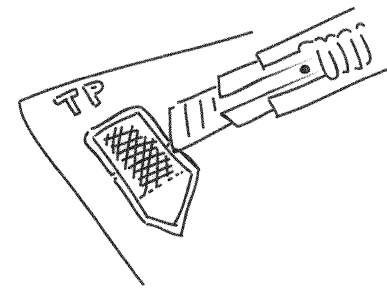
Instant Glue for Metal

APPLYING DECALS

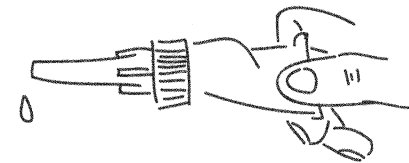
1. Clean the model surface with a wet cloth.
2. Cut out each decal design from sheet, and dip it in tepid water for 15~20 sec.
3. Hold the backing sheet edge and slide decal onto the model.
4. Move decal into position by wetting decal with finger.
5. Press decal gently down with a soft cloth until excess water and air bubbles are gone.



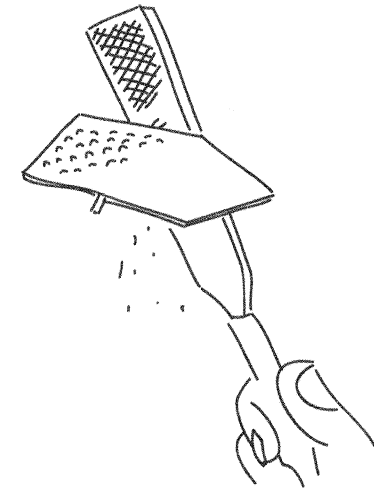
REMOVING PE



Be careful not to hurt when removing PE parts.

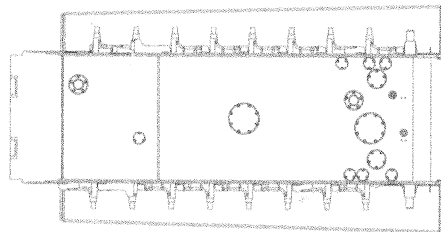
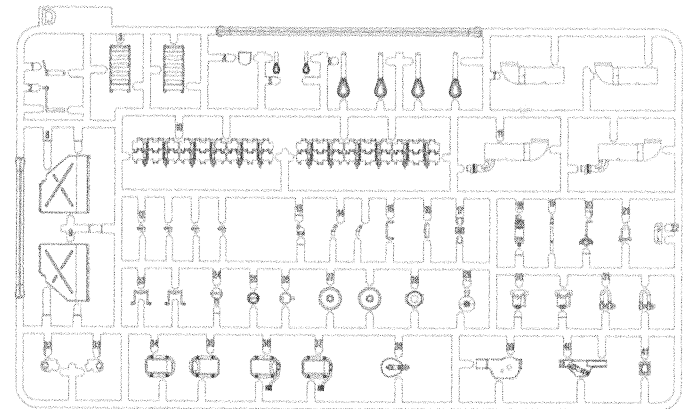
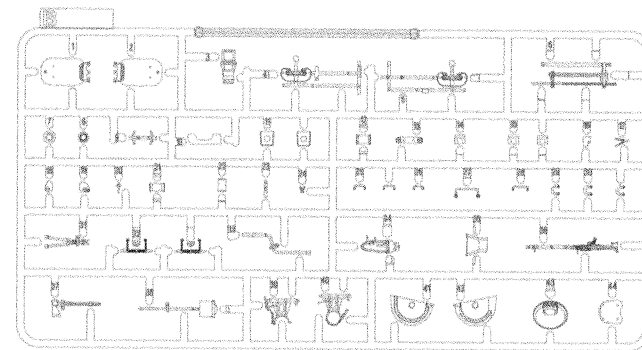
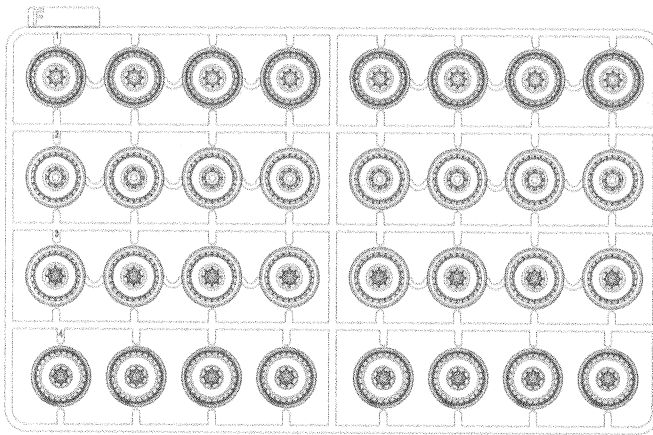
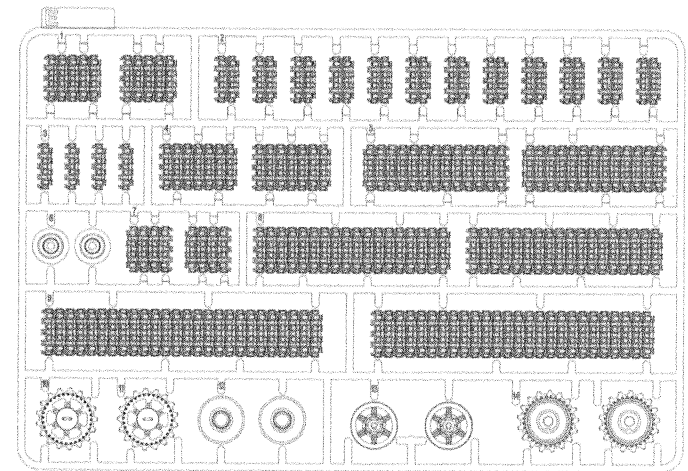
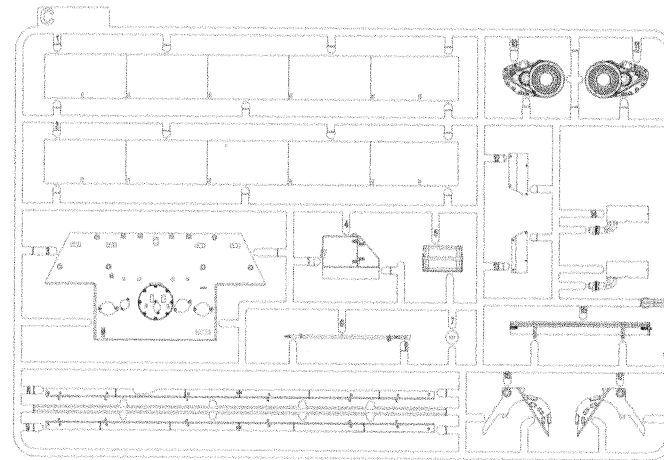
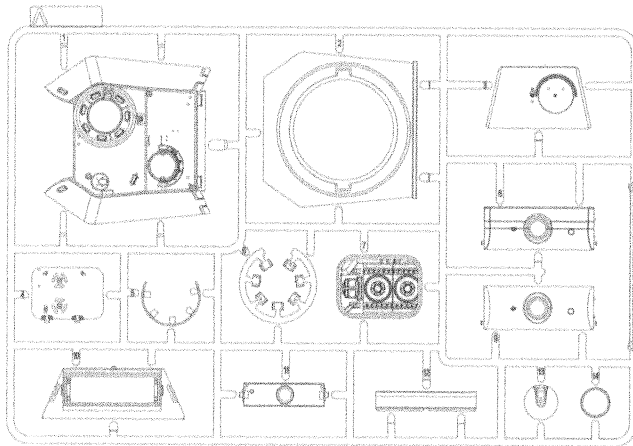


Secure using instant glue (not included).

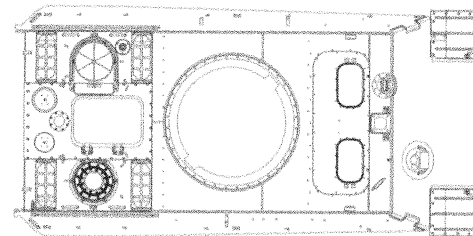


Finish using file.

PARTS



Lower Hull



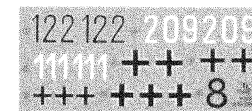
Upper Hull



Metal Gun Barrel



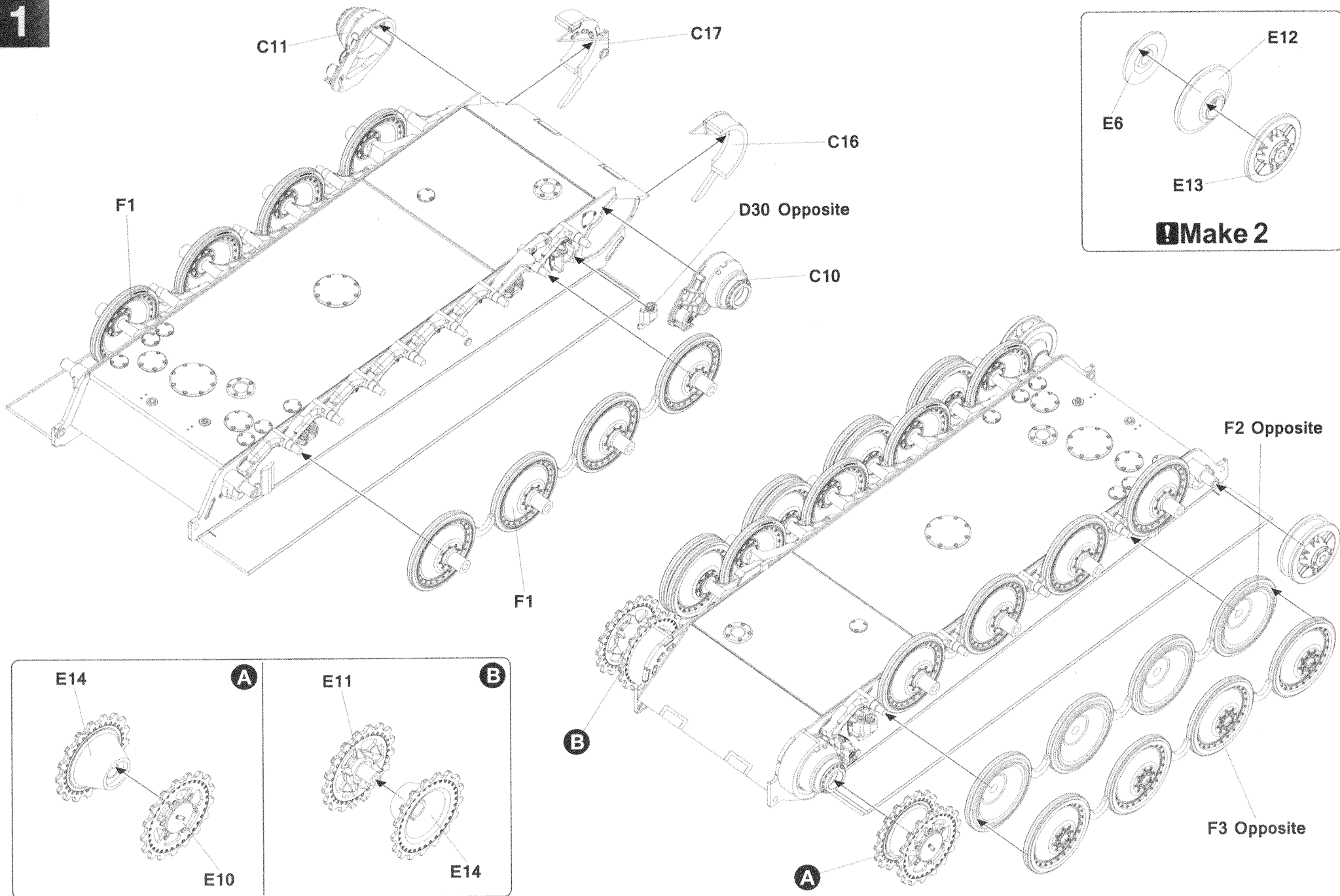
Cable



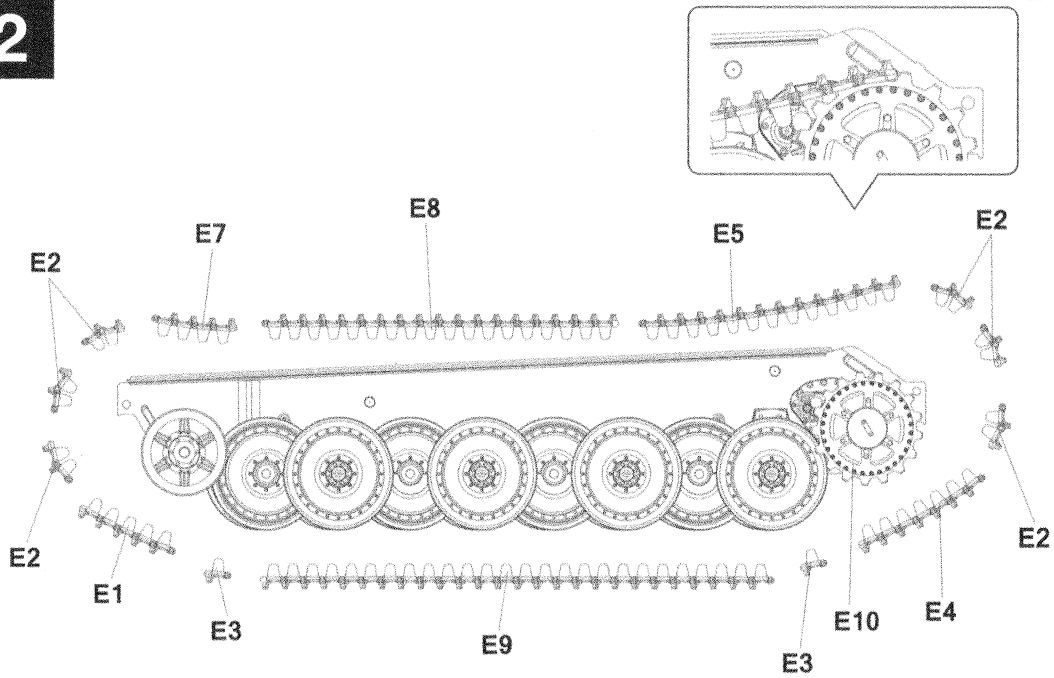
Decal



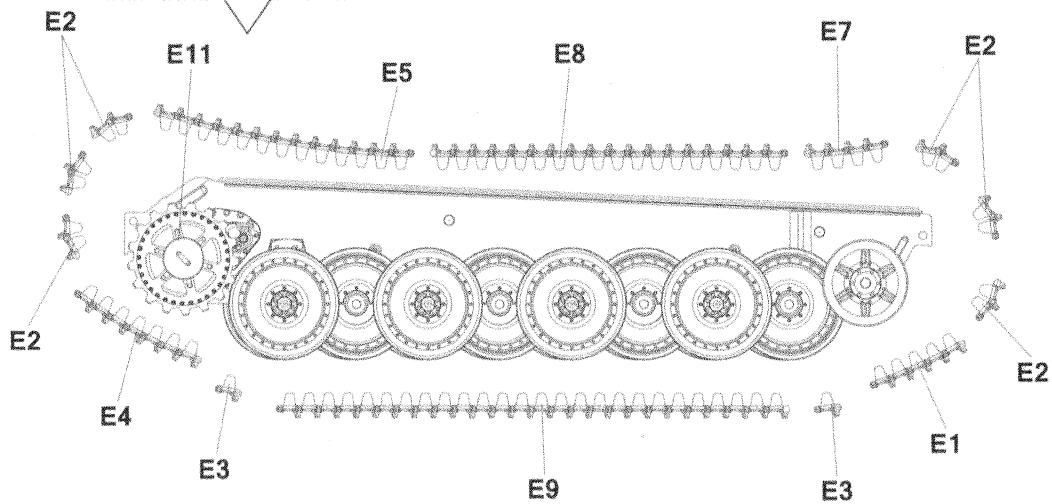
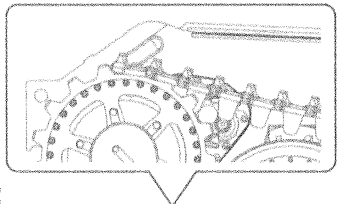
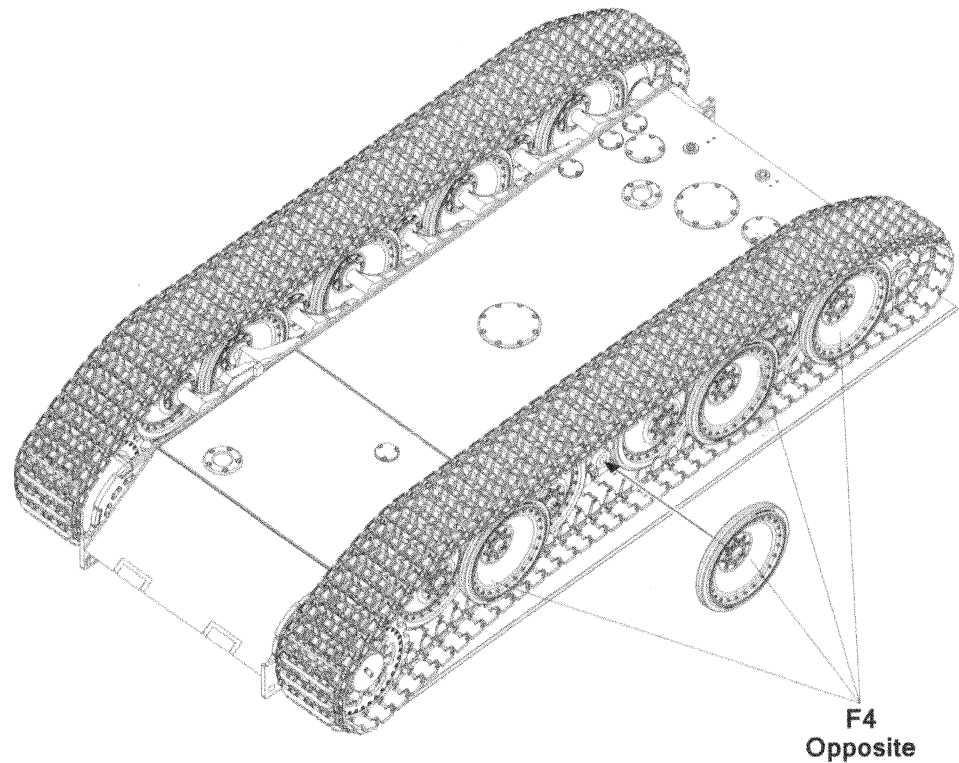
TP



2

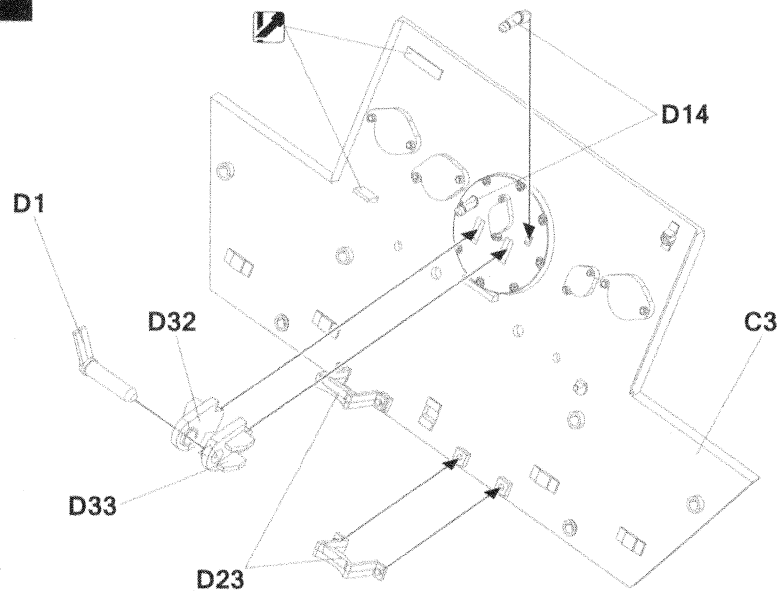


3

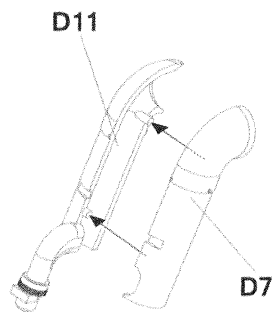
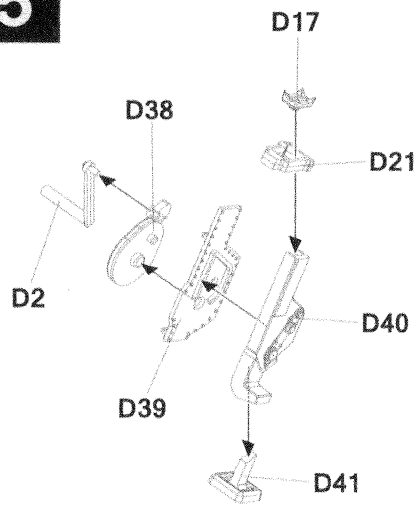


4

4

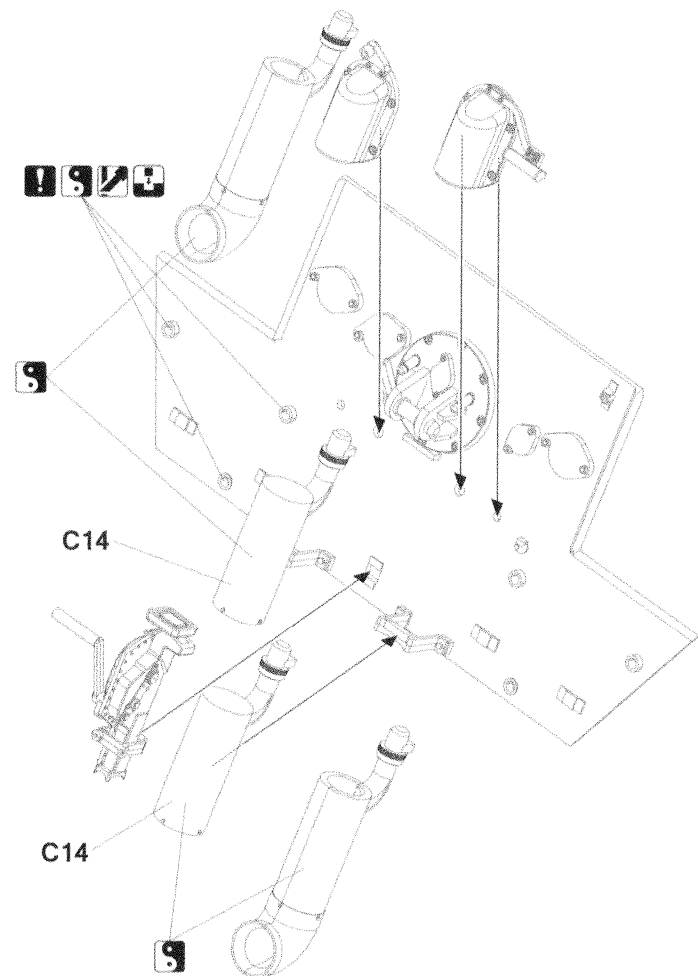
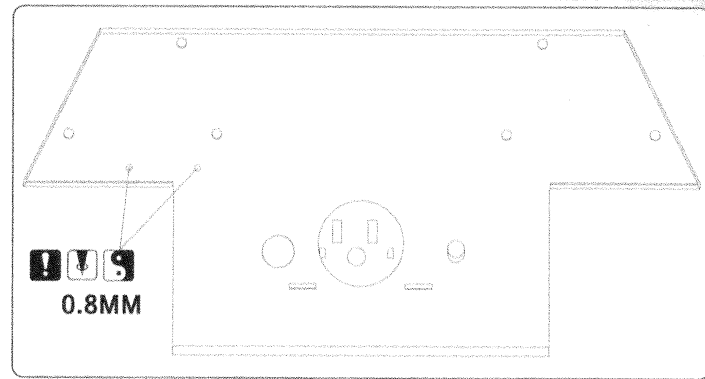
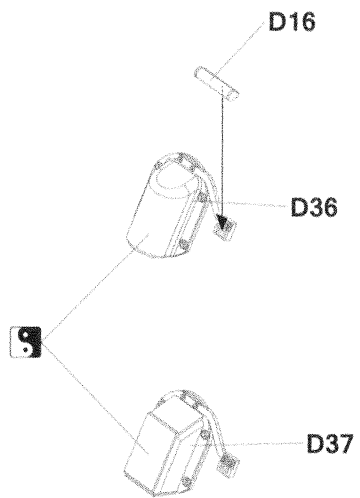
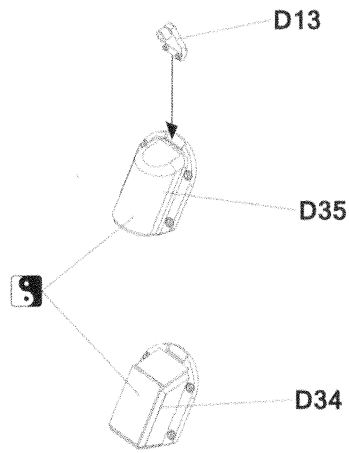


5

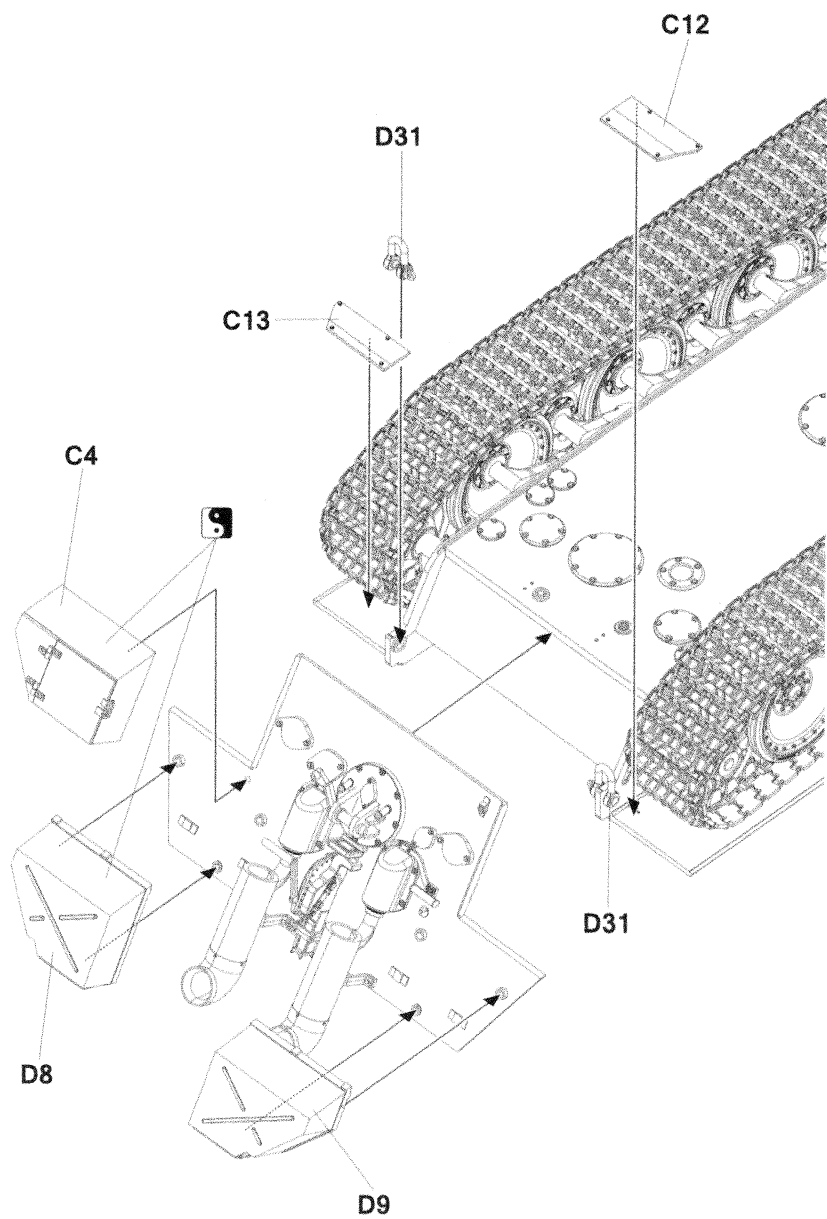


Make 2

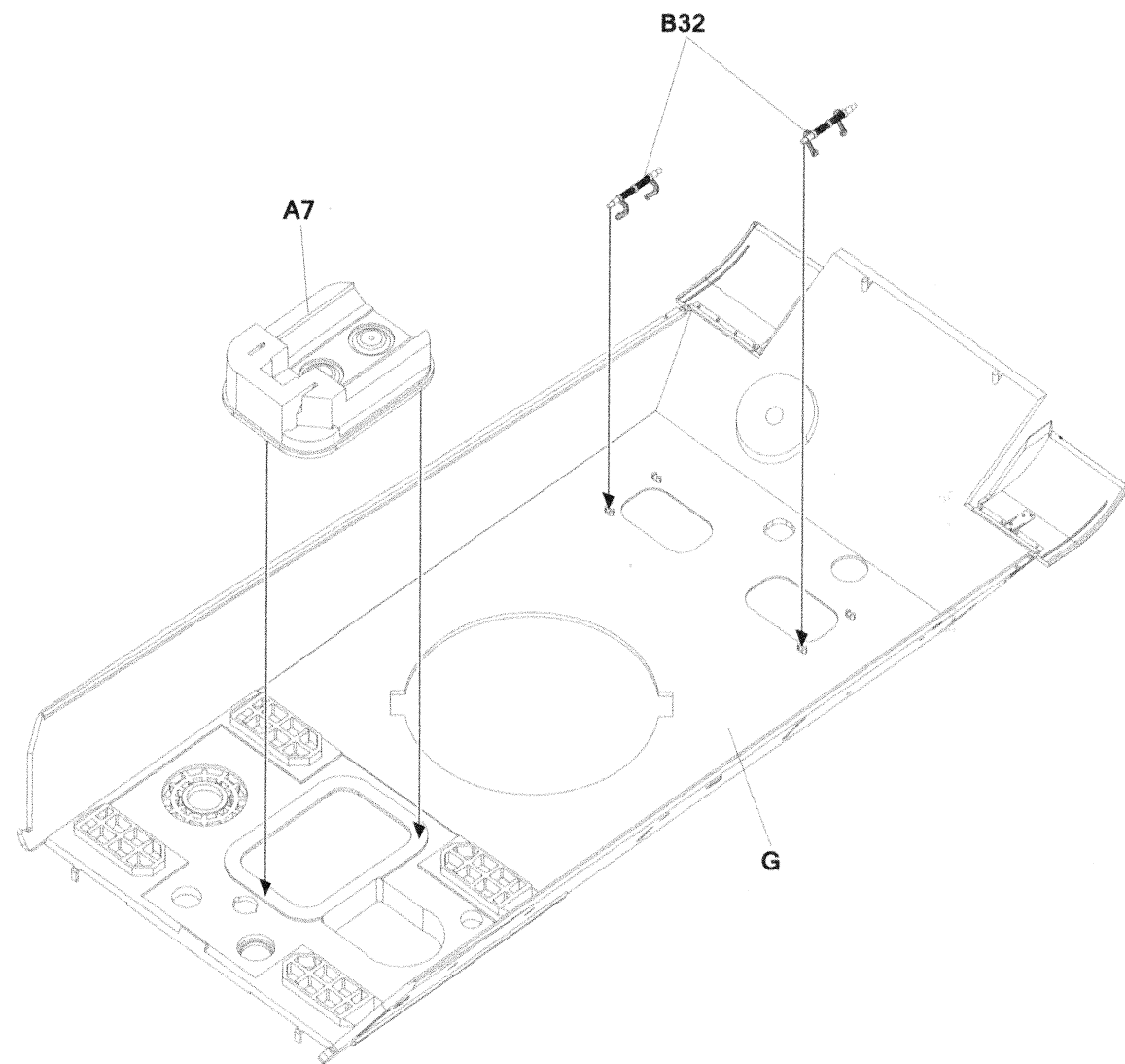
6

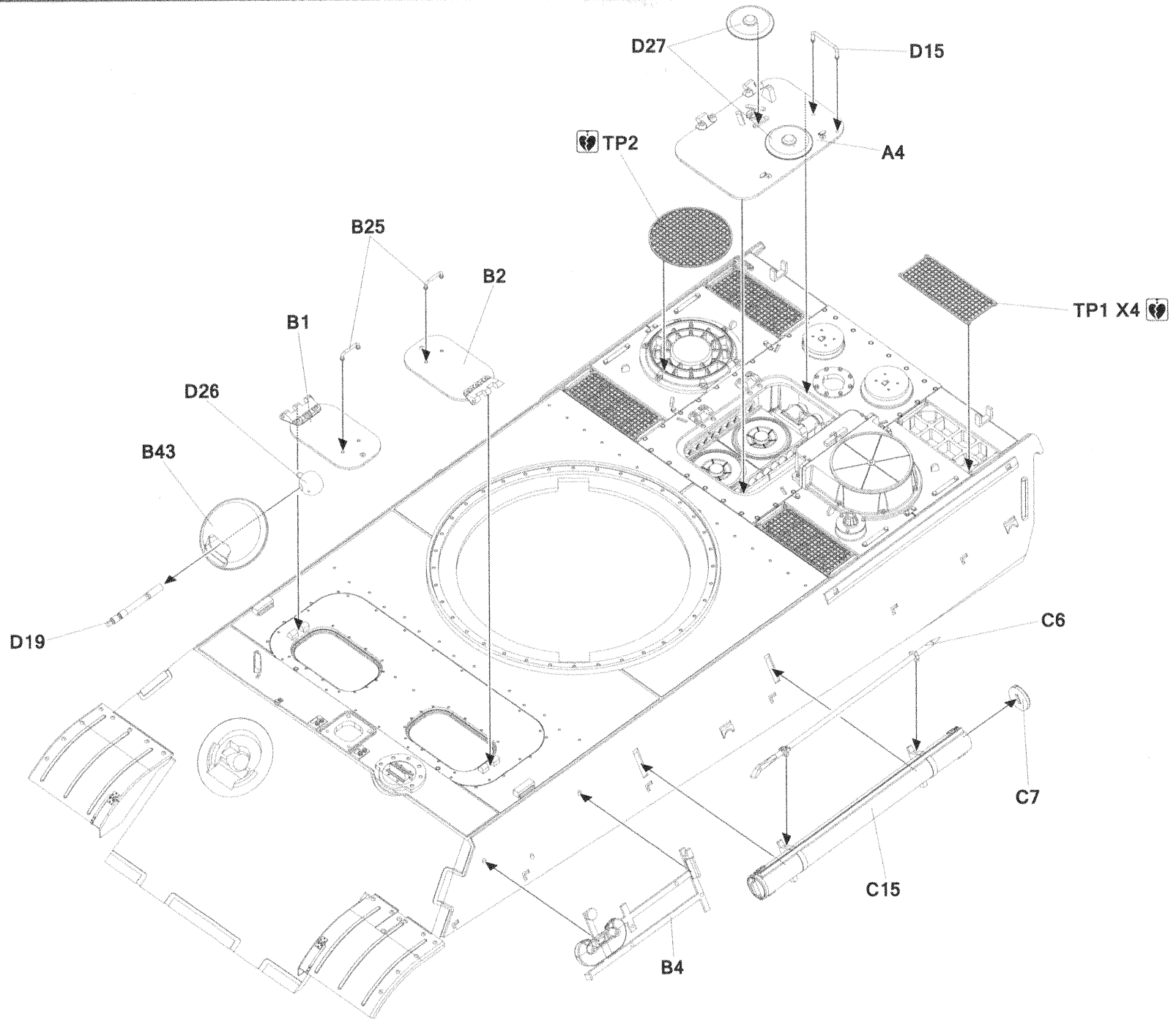


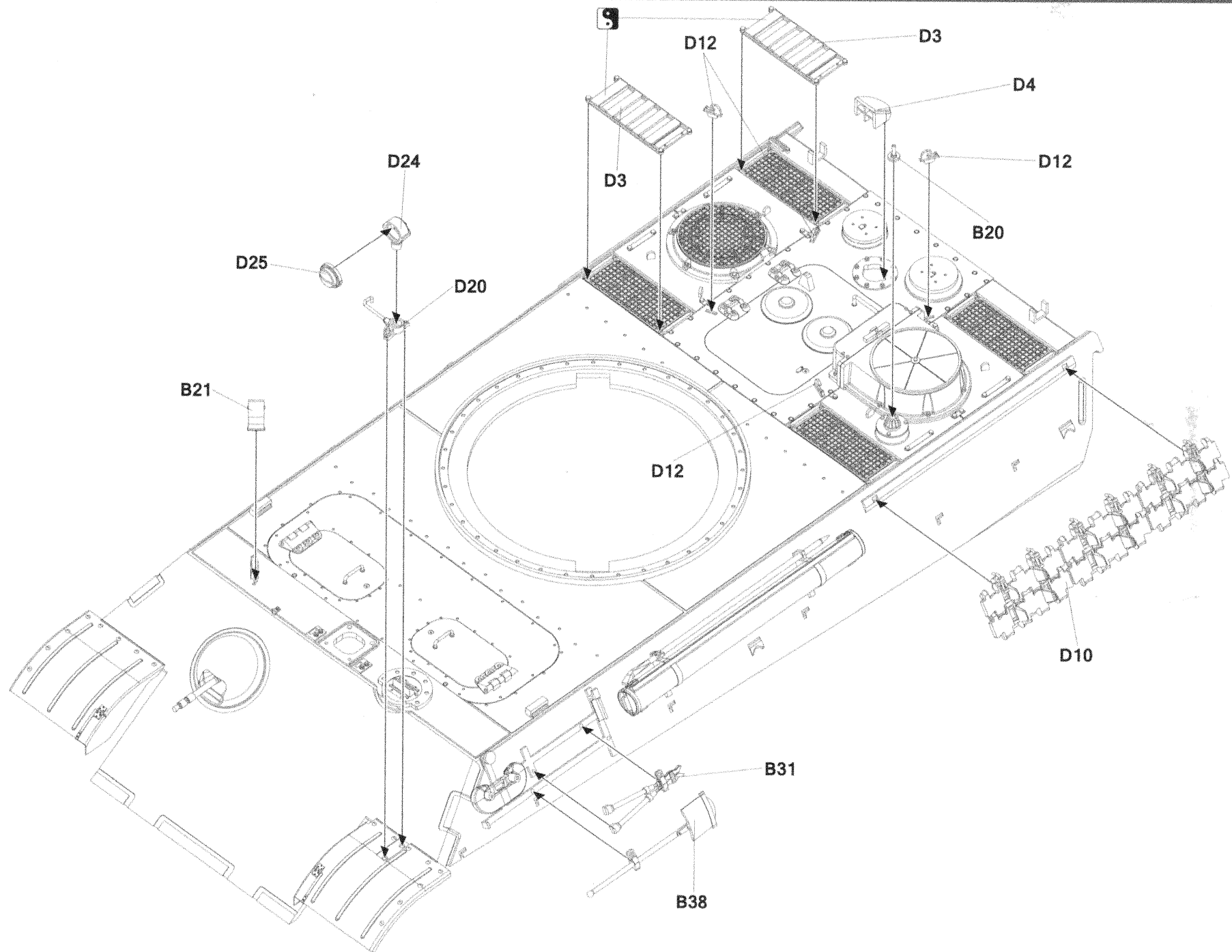
7

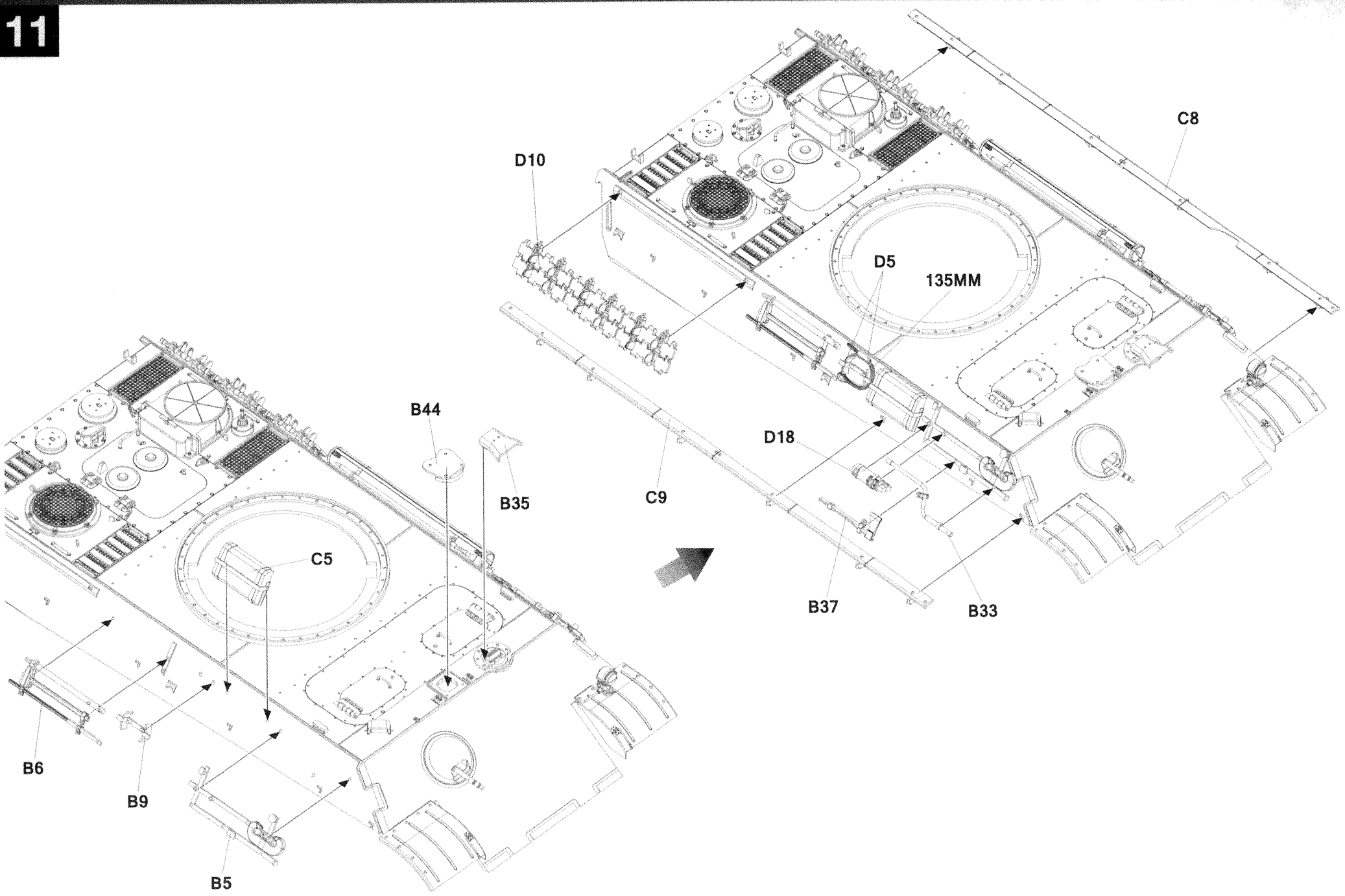


8

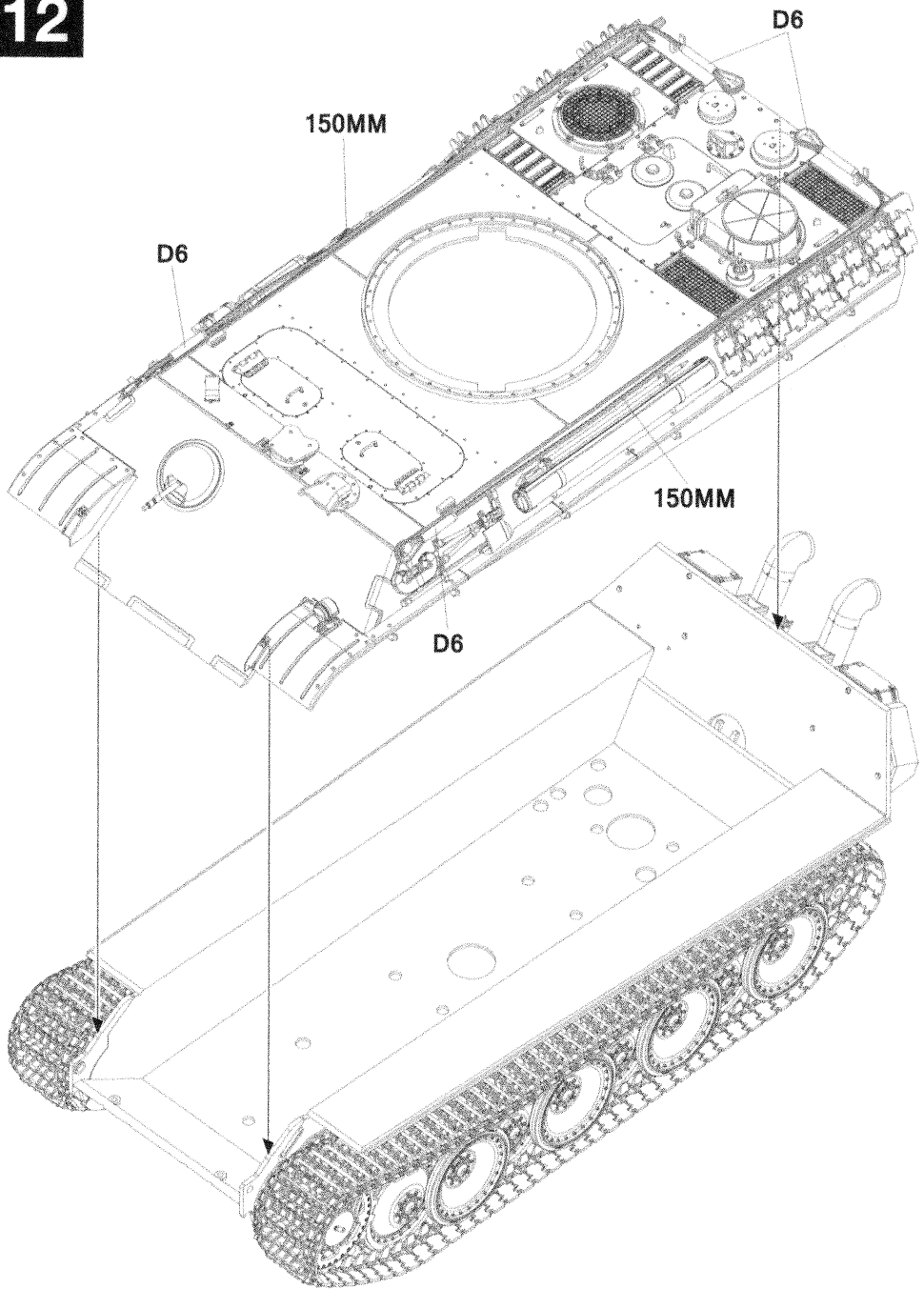




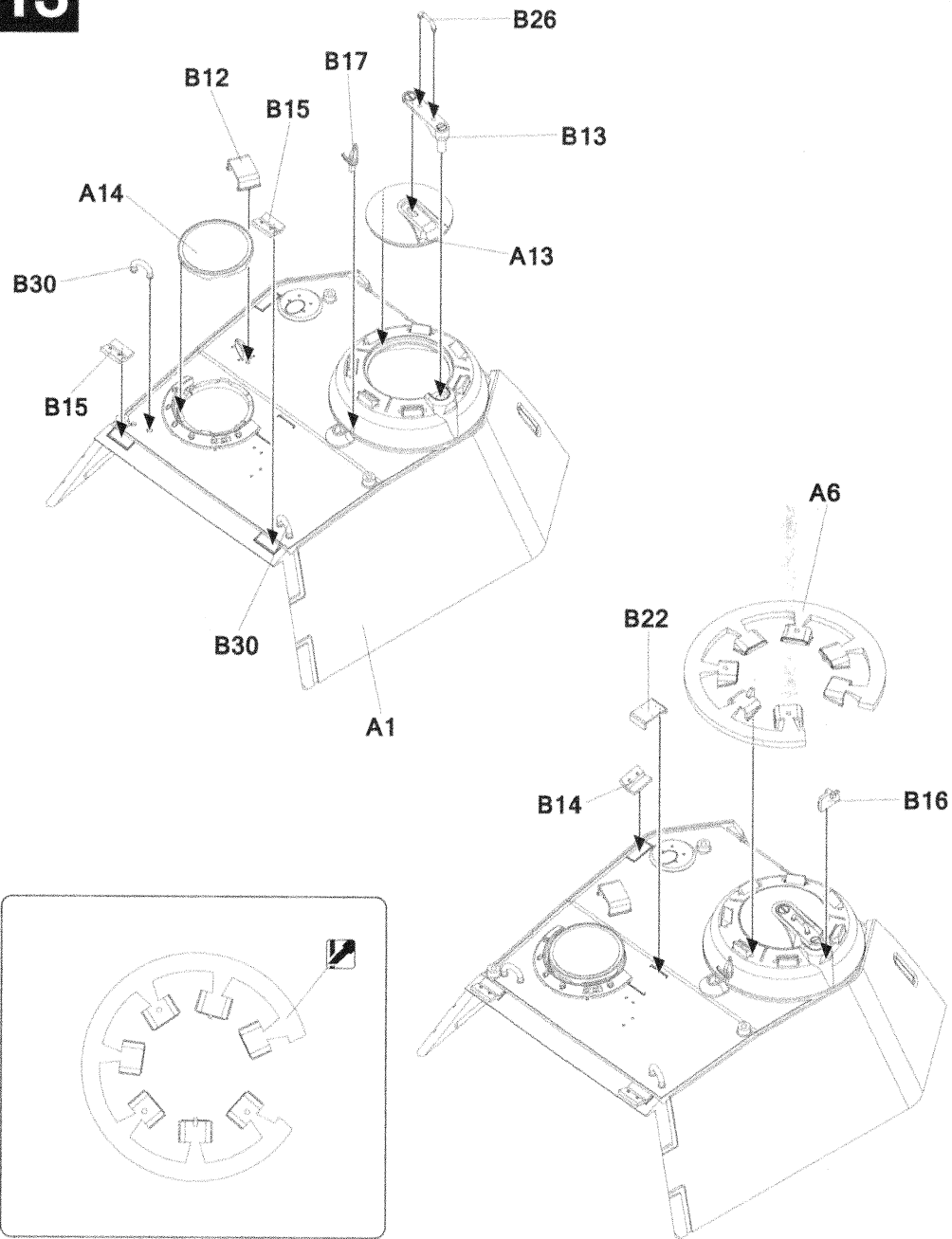


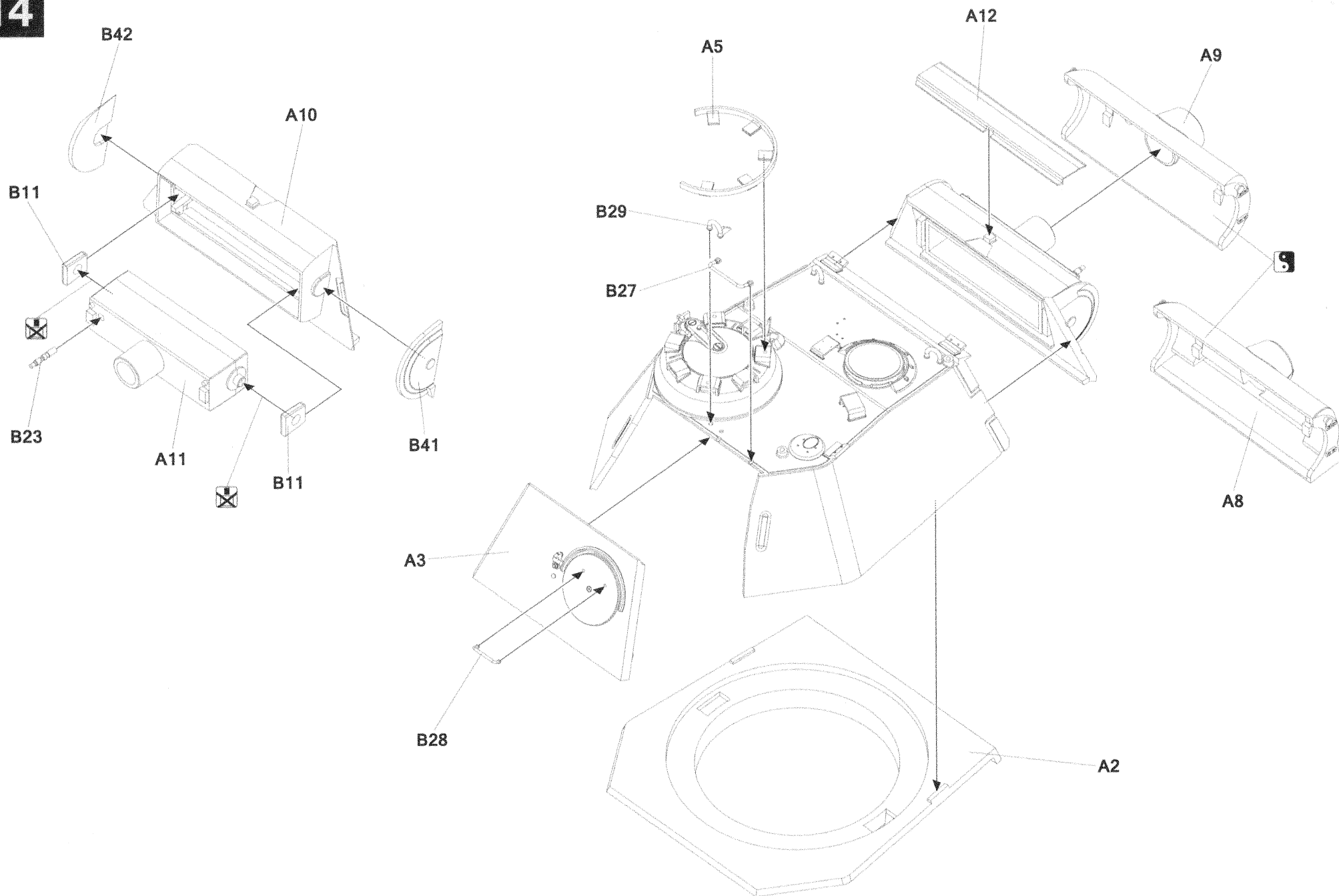


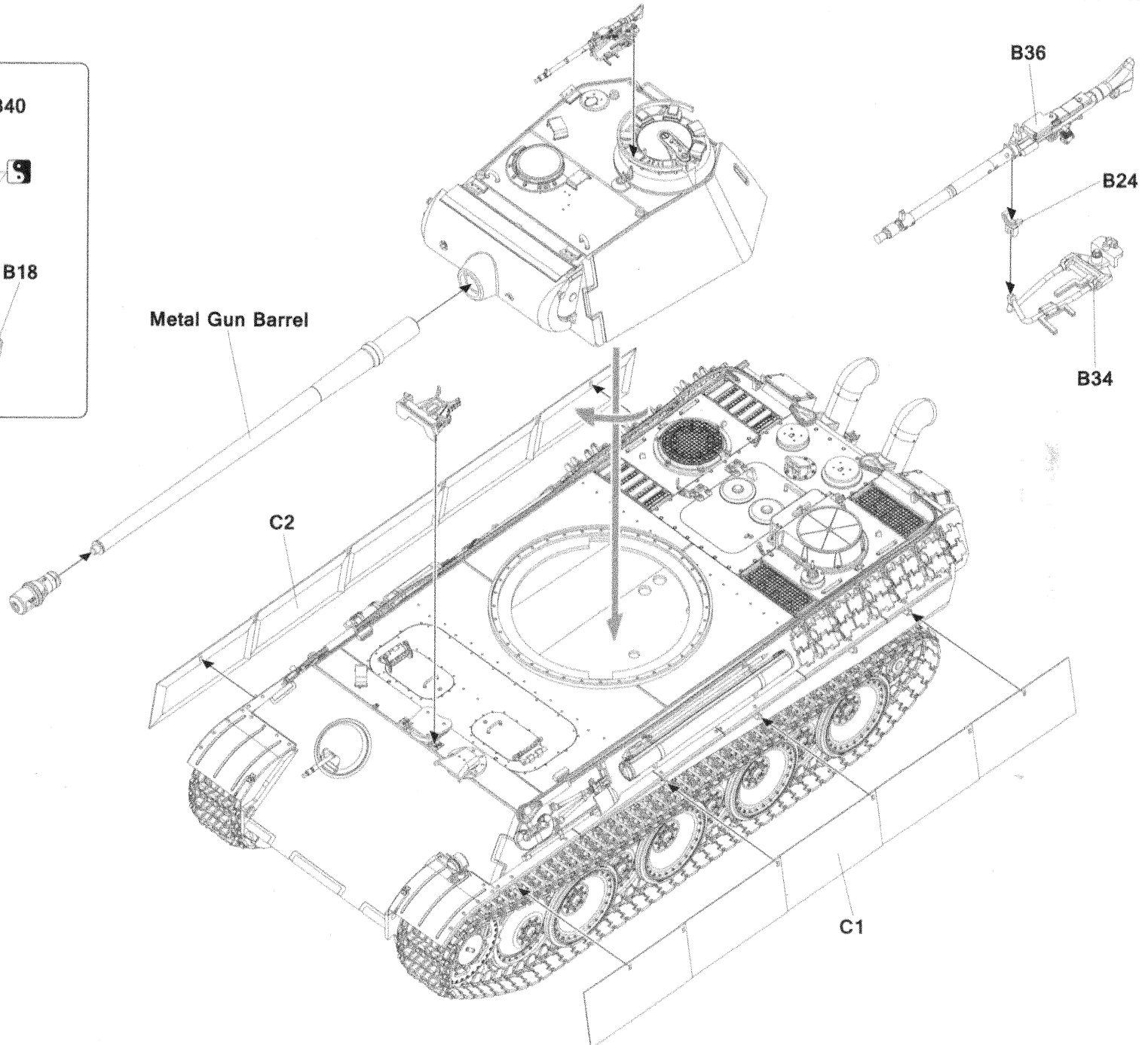
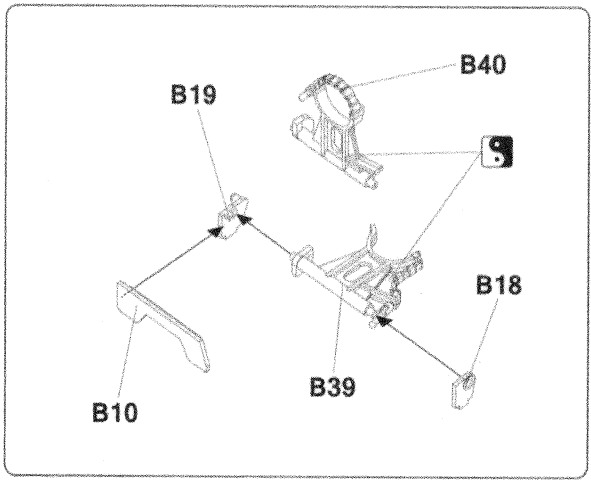
12



13







03.03.35001

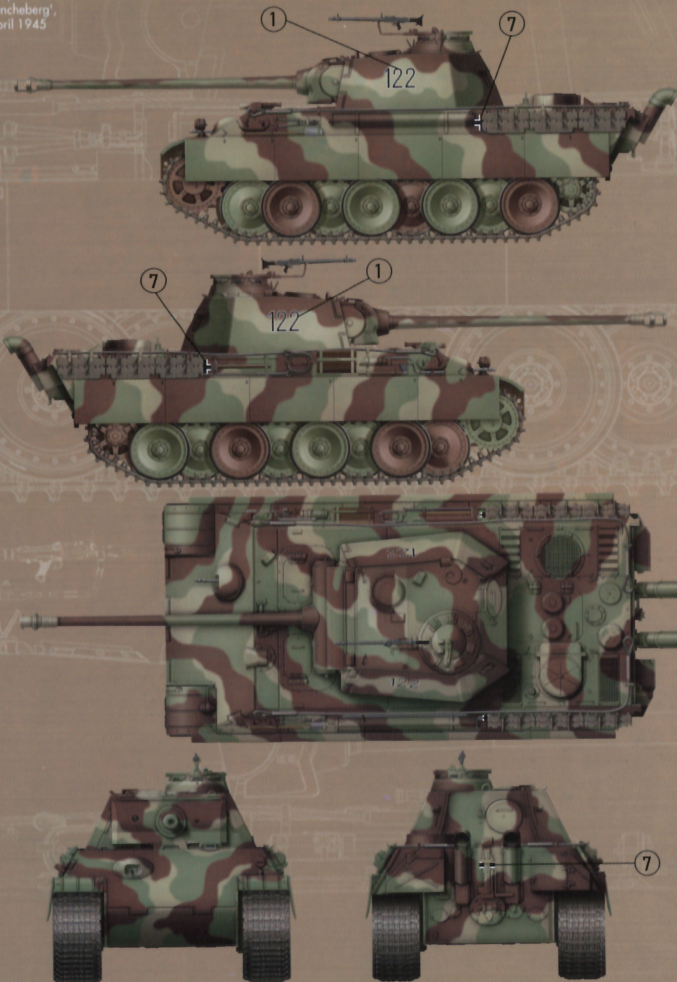


Panther Ausf. G Late

Painting and Marking Guide

Panther Ausf. G Late Production with full interior.

I./Panzer Brigade 29
Panzer Division 'Muncheberg',
Berlin, Germany, April 1945



03.03.35001



Panther Ausf. G Late

Painting and Marking Guide

Panther Ausf. G Late Production with full interior.

Kampfgruppe Schulze, Bückeberg / Paderborn,
Germany, April 1945



03.03.35001



Panther Ausf. G Late

Painting and Marking Guide

Panther Ausf.G Late Production with full interior.

Panzer Regiment 39, Lower Silesia, March 1945



03.03.35001



Panther Ausf. G Late

Painting and Marking Guide

Panther Ausf.G Late Production with full interior.

I./Panzer Regiment 29,
Panzer Division 'Muncheberg'
Berlin, Germany, May 1945



2024/35001

