

Monogram*Classics*
THE NAME FOR Quality HOBBY KITS

KIT 5604

85560410200

B-24D

LIBERATOR

The rugged B-24 Liberator achieved fame during the Second World War as one of the Army Air Force's most reliable long-range bombers. The B-24D was the first version of the Liberator to be built in large quantities, and more than 2,700 of these aircraft were produced prior to the introduction of the B-24E. Though often overshadowed by the highly publicized exploits of Boeing's B-17 Flying Fortress, the incredible B-24 saw action over more operational fronts than any other American bomber.

On December 29, 1939, the first of more than eighteen thousand Liberators took to the air. This remarkable aircraft was an engineering marvel, for though it was neither sleek nor graceful, it relied on a magnificent wing design that not only improved the aircraft's operational range, but reduced drag as well. The long, high aspect ratio Davis wing was not the only development that amazed the Army Air Force, for this revolutionary new bomber possessed tricycle landing gear, two slab-like rudders, and two cavernous bomb bays that ended all doubt that the B-24 was, indeed, a heavy bomber.

During the service life of the aircraft, the long, deep fuselage enabled the Army Air Force to adapt the Liberators to an endless variety of wartime tasks. They served admirably, not only as strategic bombers, but as photo-reconnaissance aircraft, anti-submarine patrol planes, and cargo transports as well. Though initial versions of the B-24 were deployed to the Mediterranean and Great Britain, the desperate need for long-range aircraft in the South Pacific caused the Liberator to become the mainstay of Allied operations in the island campaigns. By 1943, the B-24 had replaced the B-17 as the standard long-range heavy bomber in the South Pacific. Piloted by Army and Navy aircrews as well as British aviators, the Liberators fought valiantly until replaced by massive waves of silver B-29's. Powered by four Pratt and Whitney R-1830 radial engines, the lumbering B-24D could carry a bomb load in excess of 12,000 pounds. Maximum speed was 300 m.p.h. at 30,000 feet. Defensive armament consisted of no less than ten .50 caliber machine guns. Your model depicts a B-24D of the 90th Bomb Group of the Fifth Air Force. This renowned unit served in the Southwest Pacific Area and claimed 320 enemy aircraft destroyed and over 100,000 tons of enemy shipping sunk.



* REPEAT SEVERAL TIMES
* A REPETER PLUSIEURS FOIS



* OPTIONAL PARTS
* PIÈCES EN OPTION



* DECAL
* DECAL COMANIE



* ALTERNATIVE ASSEMBLY
* ENSEMBLAGE ALTERNATIVE



* CEMENT TOGETHER
* A COLLER



* REMOVE AND THROW AWAY
* A RETIRER ET JETER



* DO NOT CEMENT
* NE PAS COLLER

READ THIS BEFORE YOU BEGIN

- * Study the assembly drawings.
- * Each plastic part is identified by a number.
- * In the assembly drawings, some parts will be marked by a star (★) to indicate chrome plated plastic.
- * For better paint and decal adhesion, wash the plastic parts in a mild detergent solution. Rinse and let air dry.
- * Check the fit of each piece before cementing in place.
- * Use only cement for polystyrene plastic.
- * Scrape plating and paint from areas to be cemented.
- * Allow paint to dry thoroughly before handling parts.
- * Any unused parts may be discarded.

DECAL APPLICATION INSTRUCTIONS

(If applicable)

1. Cut desired decal from sheet.
2. Dip decal in water for a few seconds.
3. Place wet decal on paper towel.
4. Wait until decal is movable on paper backing.
5. Place decal in position on model, face up and slide backing away.
6. Press out air bubbles with a soft damp cloth.
7. Milkiness that may appear is for better decal adhesion and will dry clear. Wipe away any excess adhesive.
8. Do not touch decal until fully dry.
9. Allow the decals 48 hours to dry before applying clear coat.

LIRE CE QUI SUIT AVANT DE COMMENCER

- * Etudier les schémas de montage.
- * Chaque pièce en plastique est identifiée par un numéro.
- * Sur les schémas de montage, certaines pièces sont marquées d'une étoile (★) pour indiquer qu'elles sont en plastique chromé.
- * Pour une meilleure prise de la peinture et des autocollants, laver les pièces en plastique avec une solution détergente peu concentrée. Les rincer et les laisser sécher à l'air.
- * Vérifier que chaque pièce s'ajuste bien avant de la coller en place.
- * N'utiliser que de la colle pour polystyrène.
- * Gratter les parties à coller pour enlever le chrome et la peinture.
- * Laisser la peinture bien sécher avant de manipuler les pièces.
- * Toute pièce inutilisée peut être jetée.

DIRECTIVES D'APPLICATION DES AUTOCOLLANTS

1. Découper l'autocollant désiré de la feuille.
2. Tremper l'autocollant dans de l'eau pendant quelques secondes.
3. Placer l'autocollant mouillé sur une serviette en papier.
4. Attendez que l'autocollant puisse être déplacé sur son support en papier.
5. Mettre l'autocollant en position sur le modèle face sur le dessus et faire glisser le support pour l'enlever.
6. Appuyer avec un chiffon doux humide pour éliminer les bulles d'air.
7. La substance laiteuse qui peut apparaître est destinée à améliorer l'adhésion de l'autocollant et devient incolore au séchage. Essuyer pour enlever tout excédent d'adhésif.
8. Ne pas toucher l'autocollant tant qu'il n'est pas bien sec.
9. Laisser l'autocollant sécher pendant 48 heures avant d'appliquer une couche transparente.

This paint guide is provided to complete this kit as shown on the box.

Ce guide de peinture est fourni pour reproduire le modèle réduit qui apparaît sur la boîte.

Flat Black	Noir mat
Red	Rouge
Yellow	Jaune
Silver	Argent
Interior Green	Vert intérieur
Brown	Brun
Olive Drab	Gris olivâtre
Dark Green	Vert foncé
Neutral Gray	Gris neutre
Tan	Havane
Metallic	Metallic
White	Blanc

If you have any questions or comments, call our hotline at: **(800) 833-3570**
or, please write to:

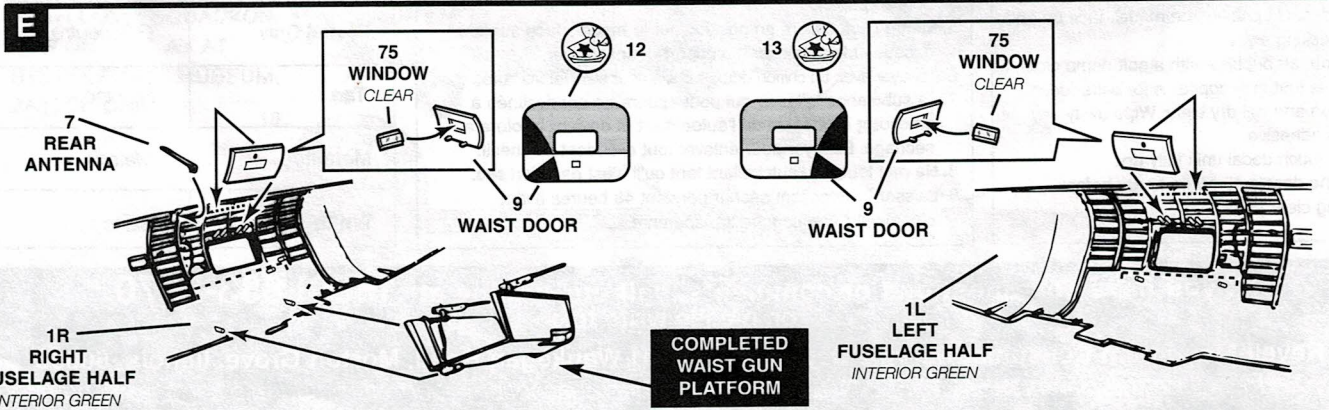
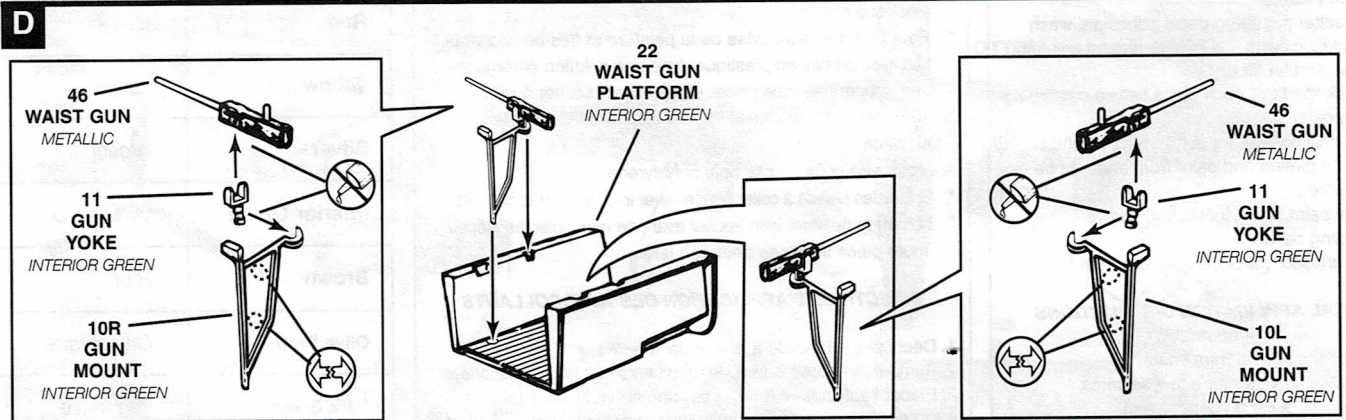
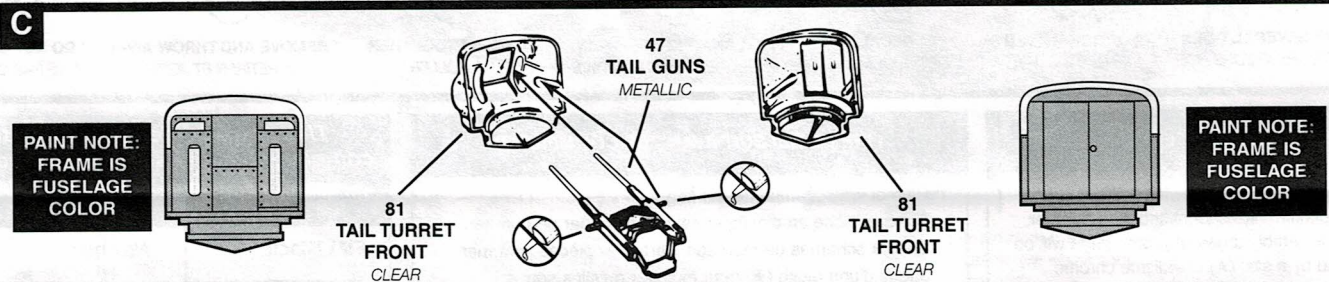
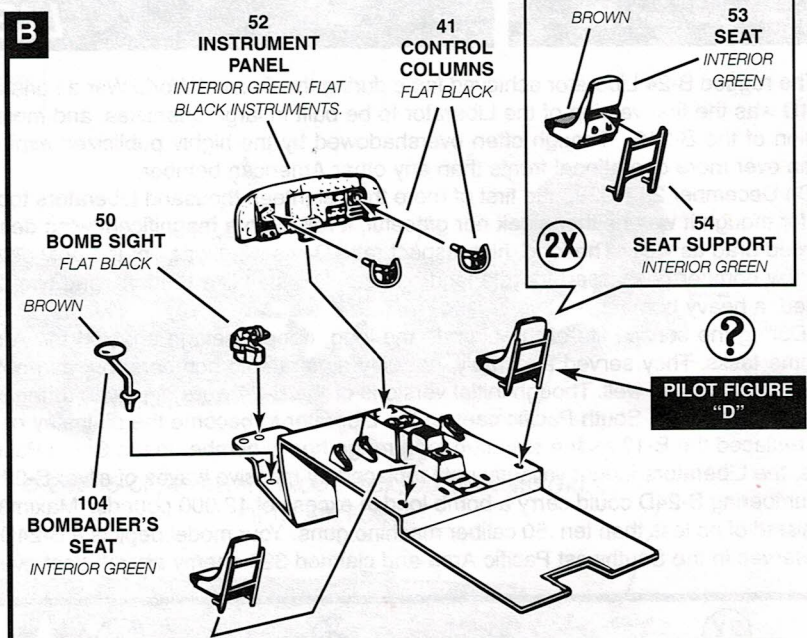
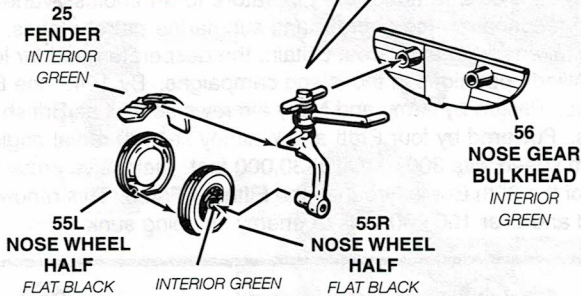
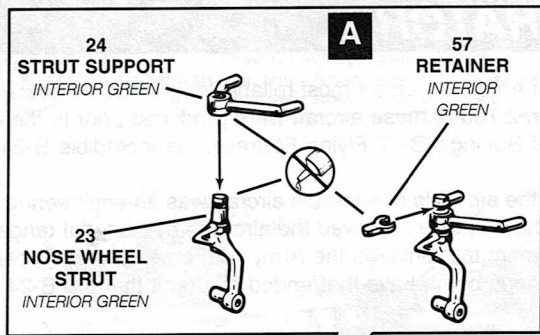
Revell-Monogram Consumer Service Department, 8601 Waukegan Road, Morton Grove, Illinois 60053

Be sure to include the plan number (85560410200), part number, description, your return address and phone number.

Visit our website: www.revell-monogram.com

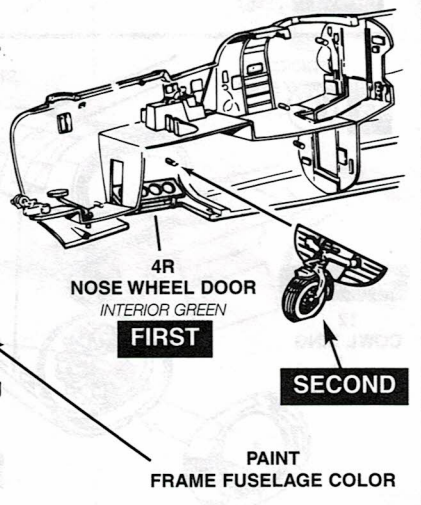
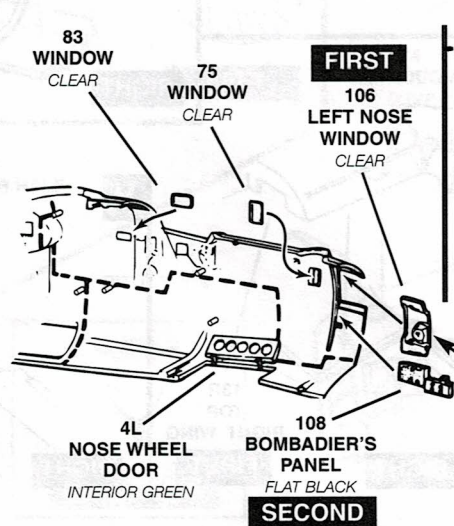
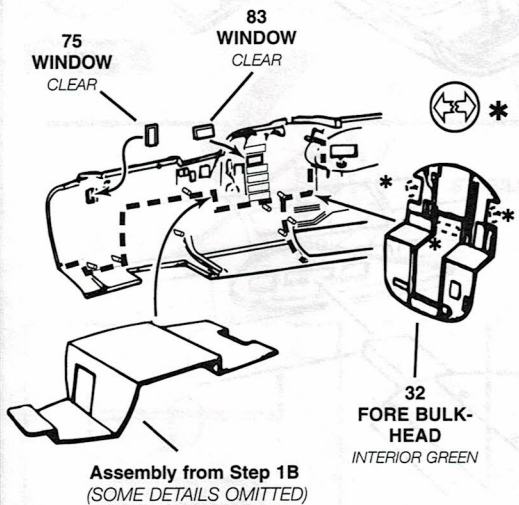
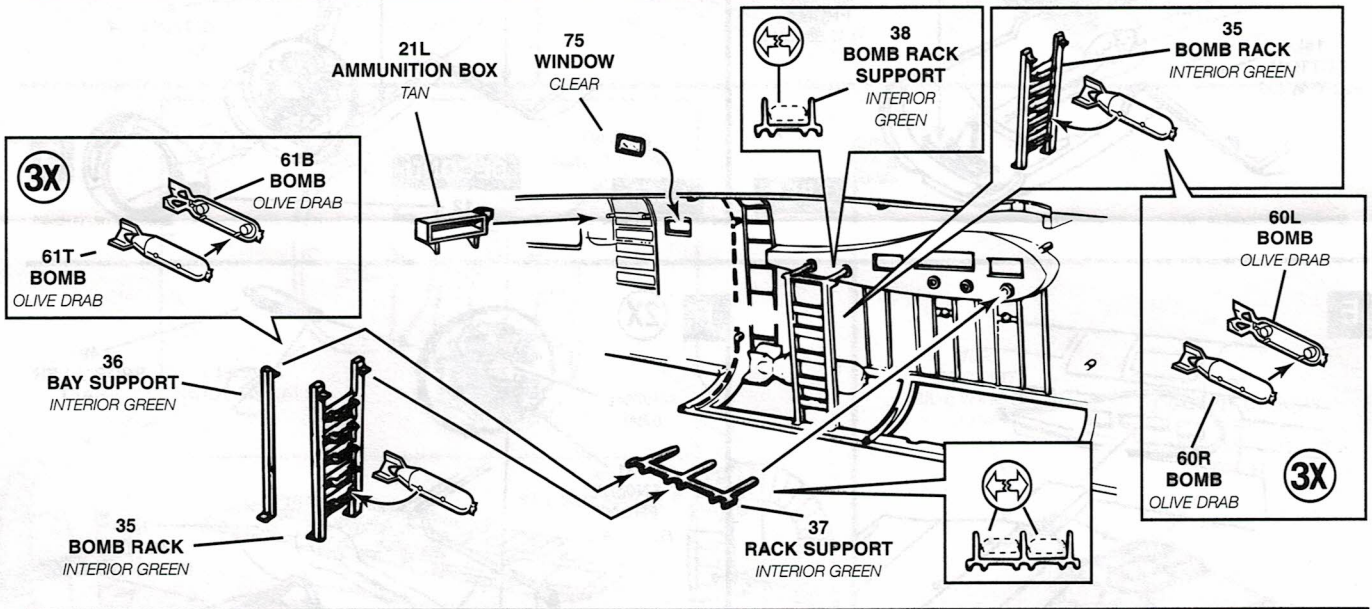
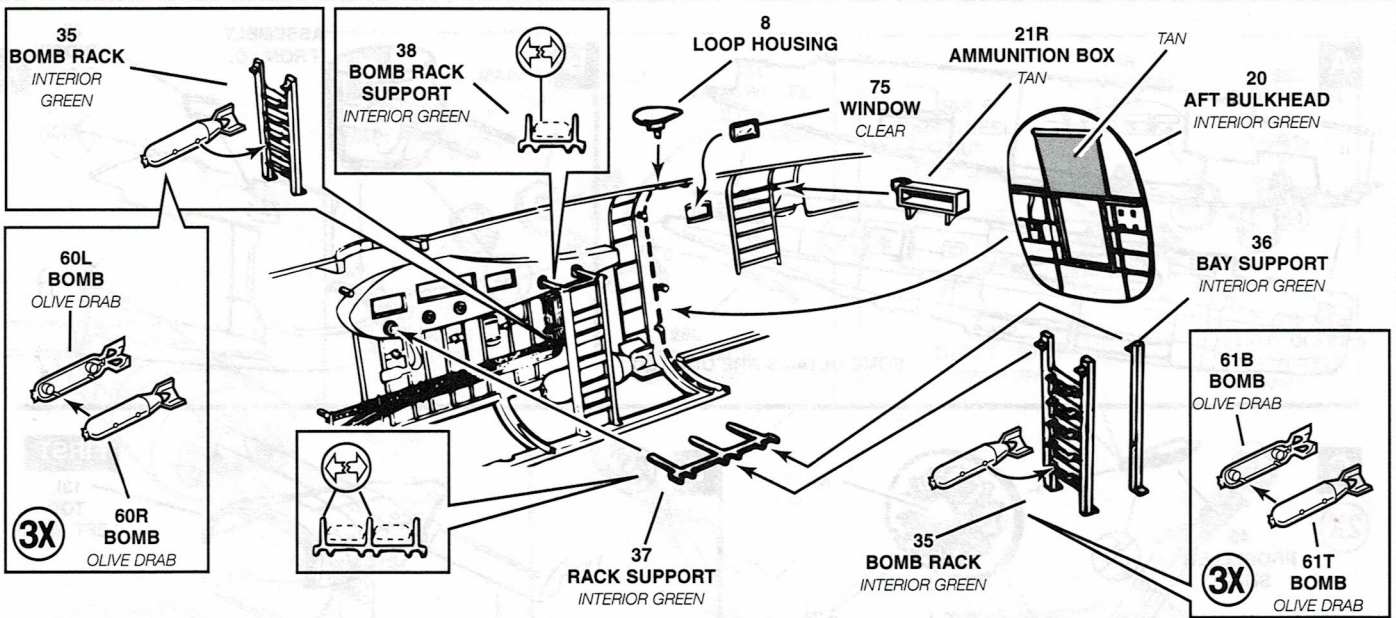
1

FRONT WHEEL/INTERIOR ASSEMBLY



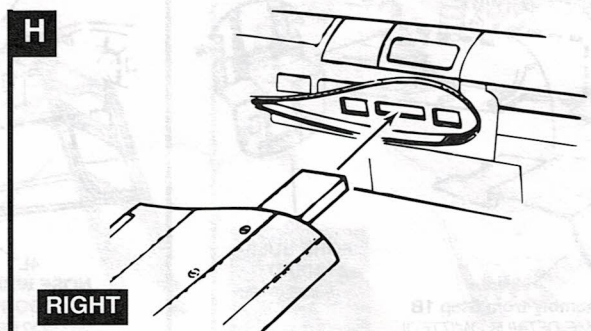
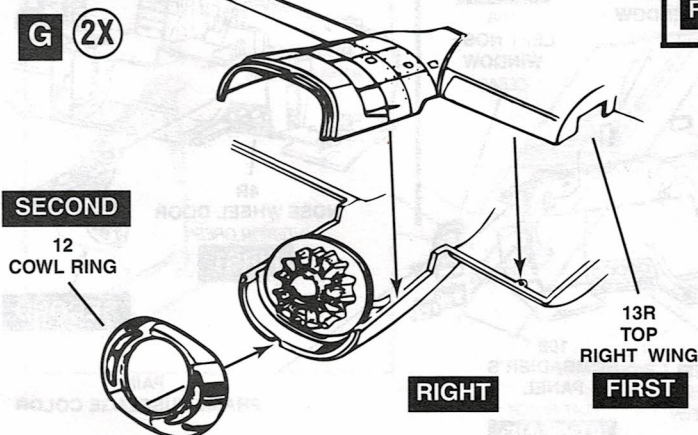
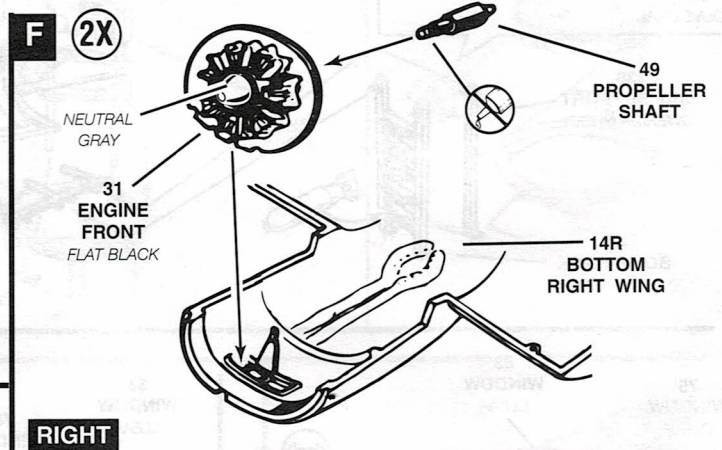
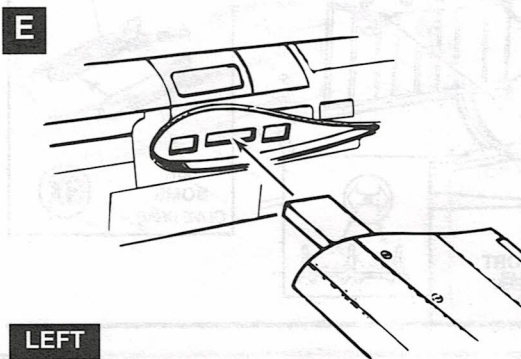
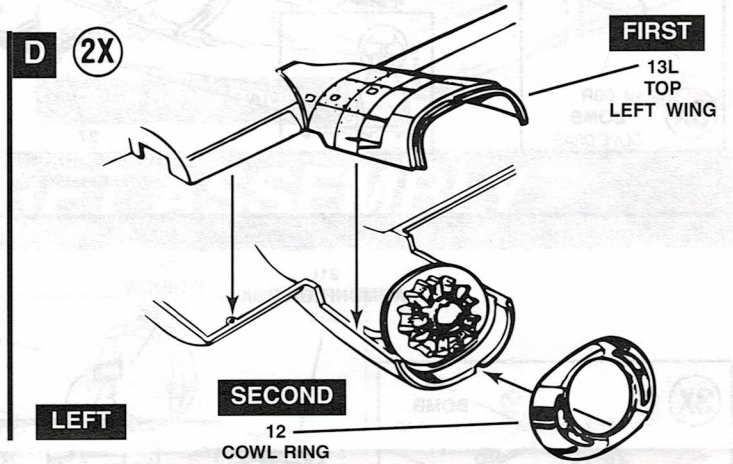
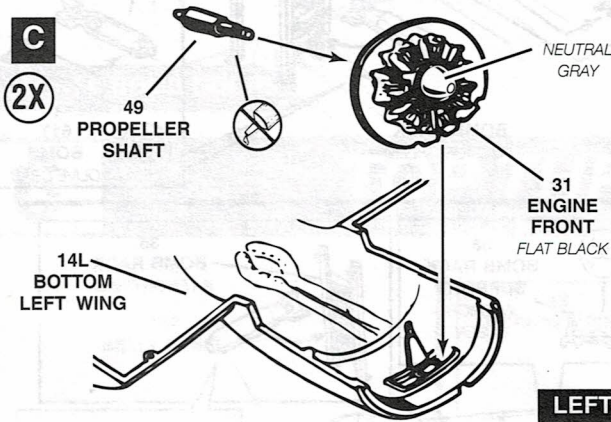
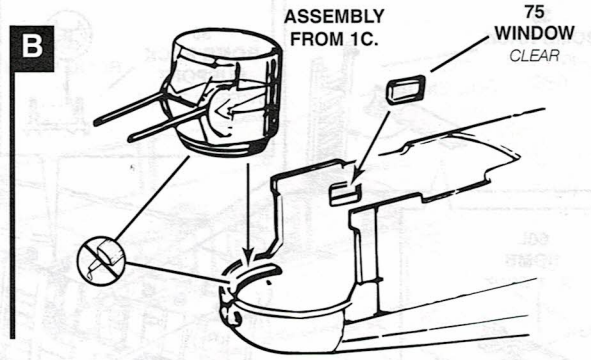
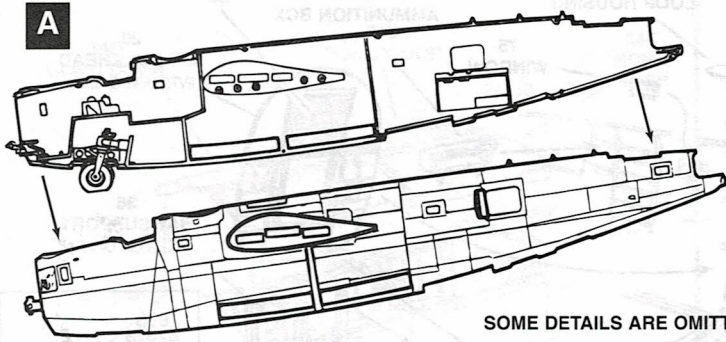
2

INNER FUSELAGE ASSEMBLY



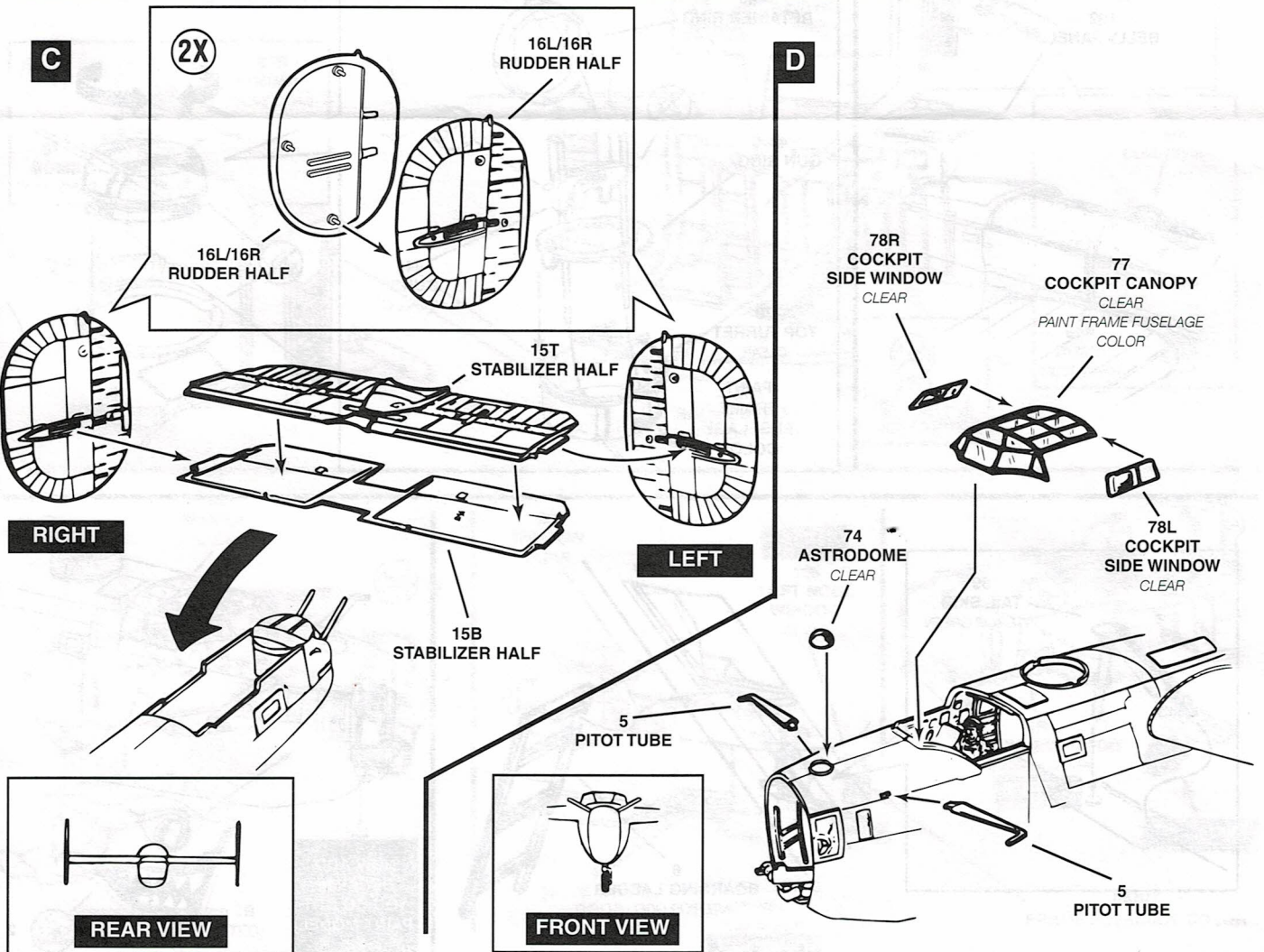
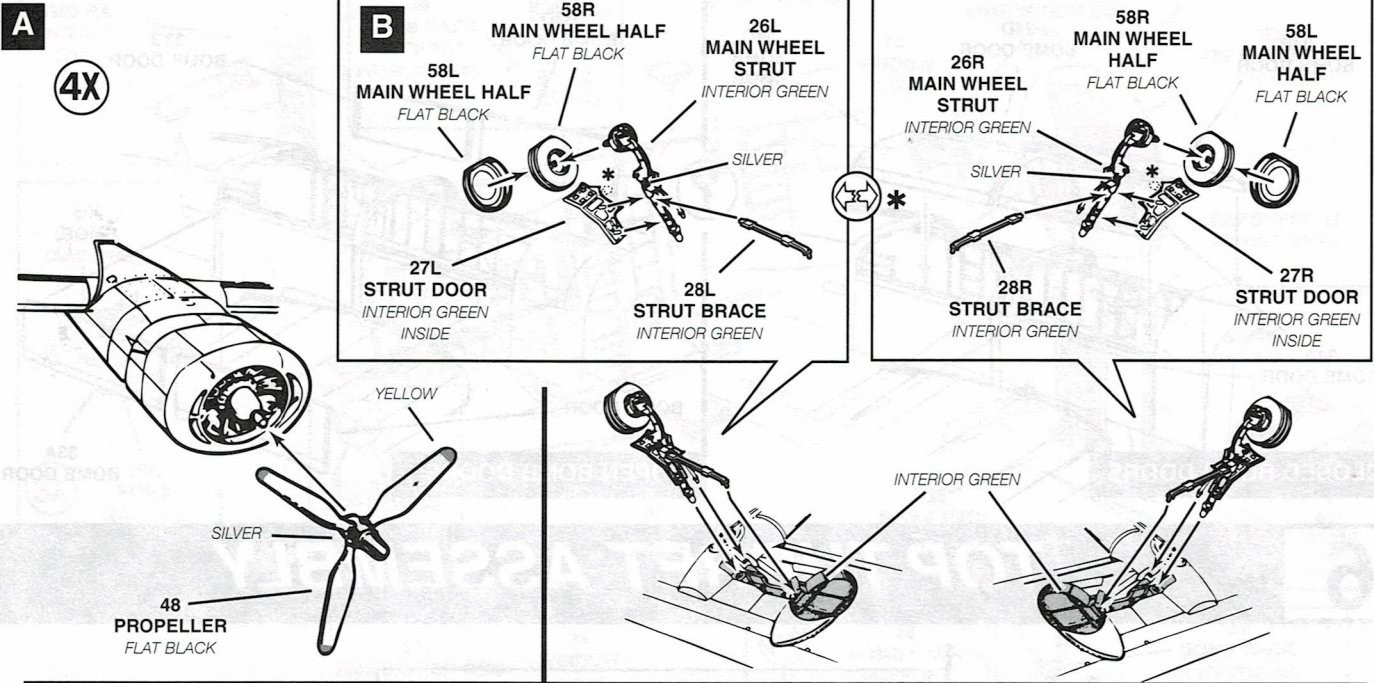
3

WING / ENGINE ASSEMBLY



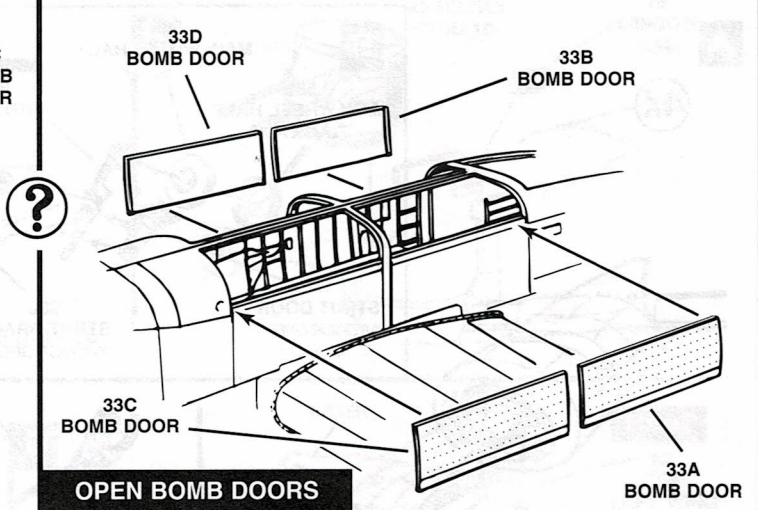
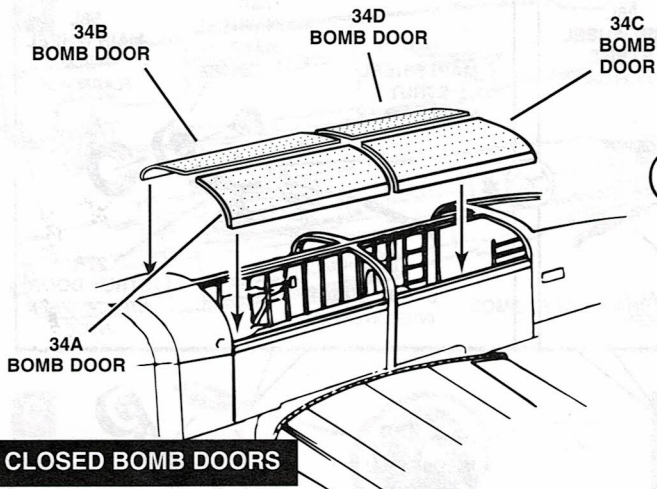
4

WHEEL/TAIL/CANOPY ASSEMBLY



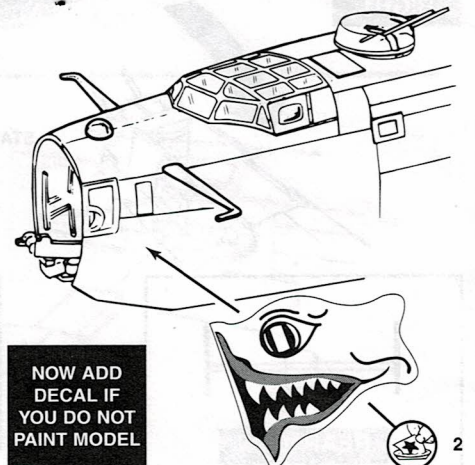
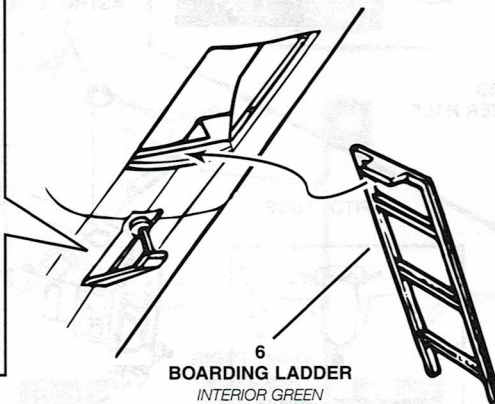
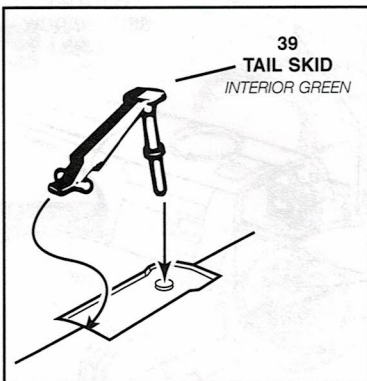
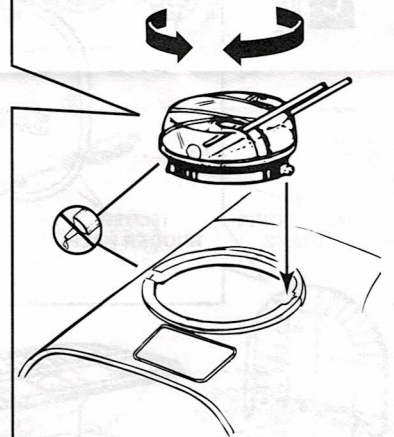
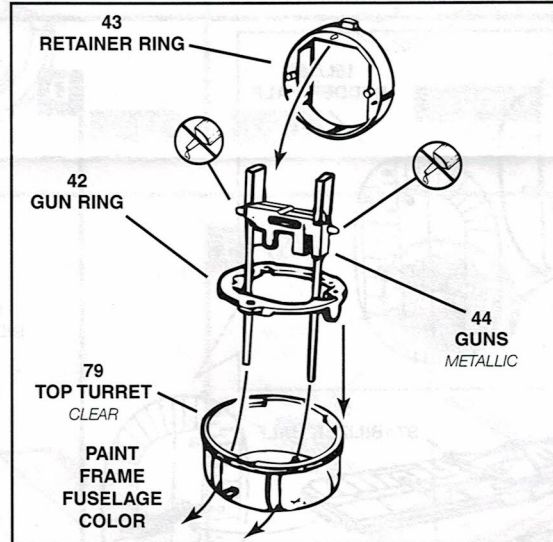
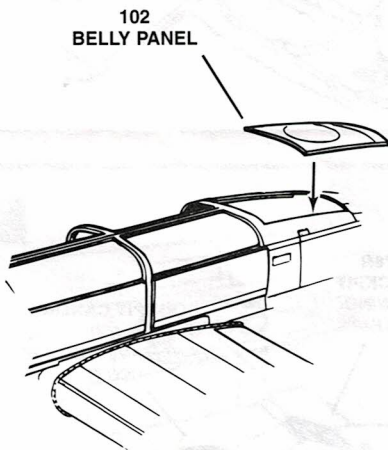
5

BOMB DOORS/PANEL ASSEMBLY



6

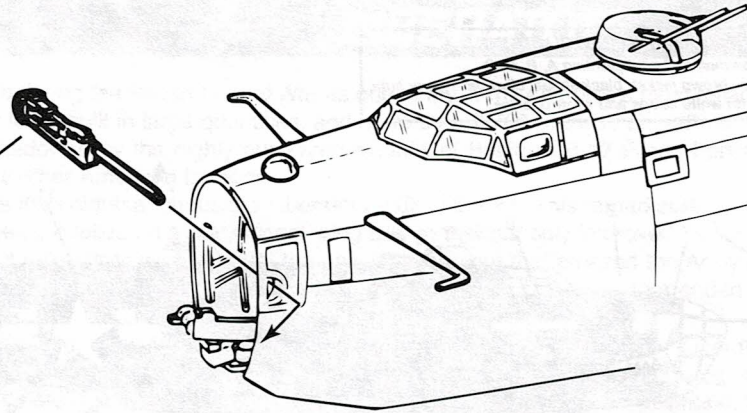
TOP TURRET ASSEMBLY



7

FINAL ASSEMBLY

103
NOSE GUN
METALLIC

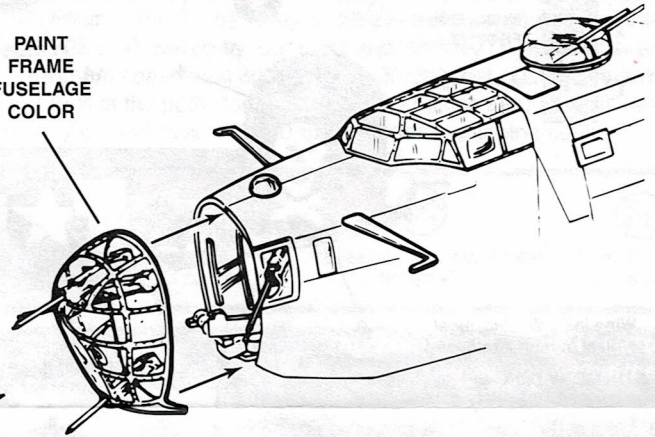
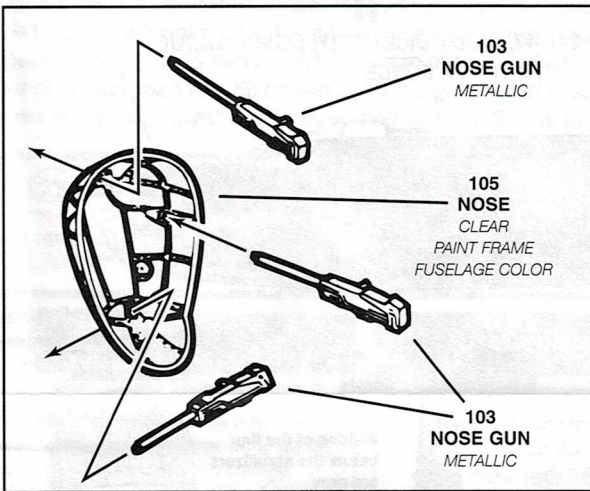


103
NOSE GUN
METALLIC

105
NOSE
CLEAR
PAINT FRAME
FUSELAGE COLOR

103
NOSE GUN
METALLIC

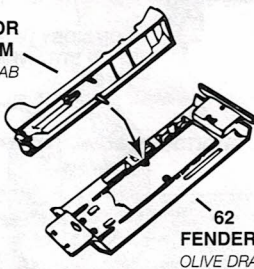
PAINT
FRAME
FUSELAGE
COLOR



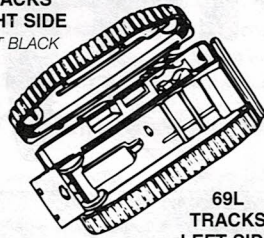
8

TRACTOR ASSEMBLY

70
TRACTOR
BOTTOM
OLIVE DRAB



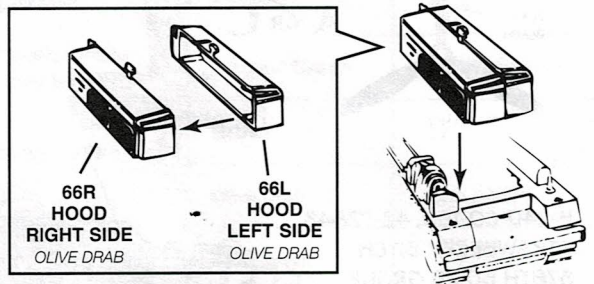
69R
TRACKS
RIGHT SIDE
FLAT BLACK



69L
TRACKS
LEFT SIDE
FLAT BLACK

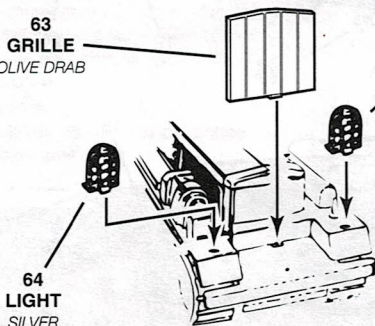
66R
HOOD
RIGHT SIDE
OLIVE DRAB

66L
HOOD
LEFT SIDE
OLIVE DRAB



63
GRILLE
OLIVE DRAB

64
LIGHT
SILVER

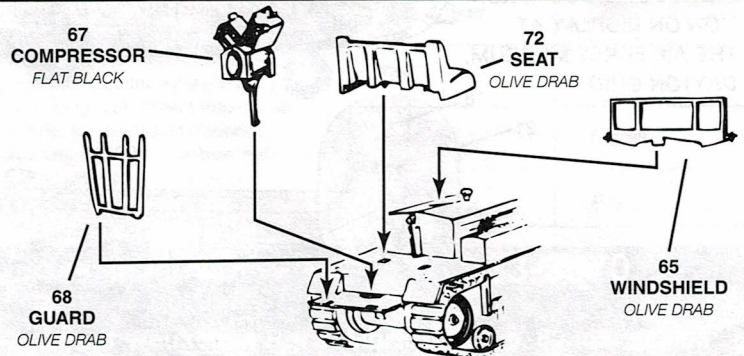


67
COMPRESSOR
FLAT BLACK

72
SEAT
OLIVE DRAB

68
GUARD
OLIVE DRAB

65
WINDSHIELD
OLIVE DRAB

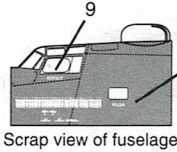


DECAL PLACEMENT






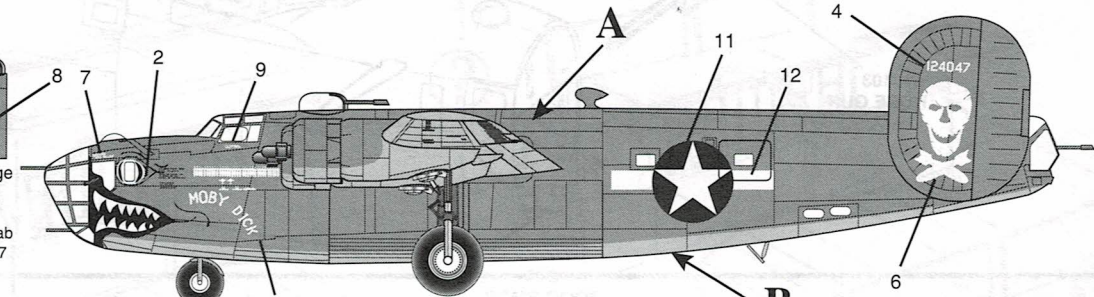
CREW PAINTING INSTRUCTIONS

Crewman and pilot painting A, B, C, D-
Tan pants and cap, brown jacket, black shoes, olive drab parachute
with white straps and silver buckles.

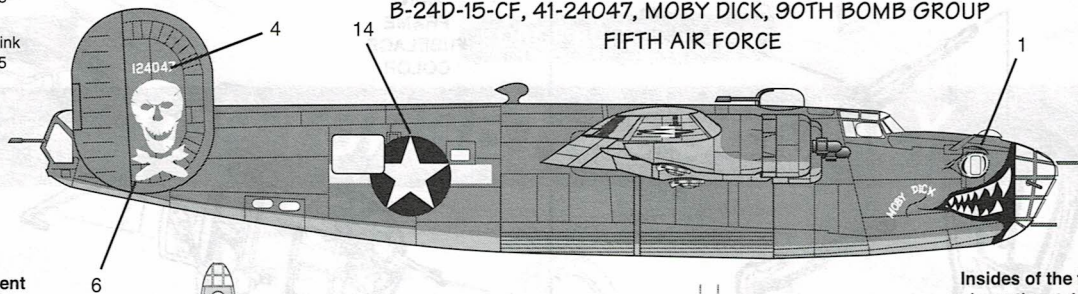


Scrap view of fuselage

- A**  Olive Drab
FS 34087
- B**  Neutral Gray
FS 36173
- C**  Desert Pink
FS 31575



B-24D-15-CF, 41-24047, MOBY DICK, 90TH BOMB GROUP
FIFTH AIR FORCE



Wing insignia placement
typical of both airplanes

5 ON MOBY DICK
23 ON STRAWBERRY BITCH

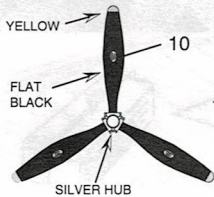
Camouflage typical of
both airplanes

Insides of the fins
above the stabilizers
are the same color
as the outside.

Insides of the fins
below the stabilizers
are gray.

BOTTOM

PROPELLER MARKINGS



TOP
A OR C

B

C

5 ON MOBY DICK
23 ON STRAWBERRY
BITCH

B-24D-CO-160, 42-72843
STRAWBERRY BITCH
376TH BOMB GROUP
512TH BOMB SQUADRON.
NOW ON DISPLAY AT
THE AIR FORCE MUSEUM,
DAYTON OHIO.

