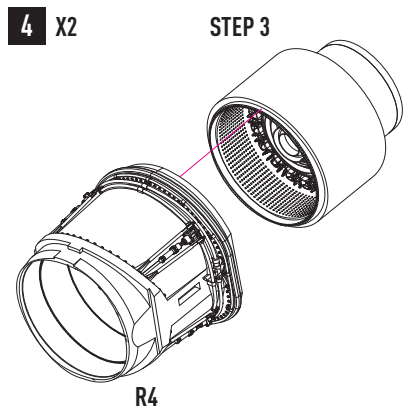
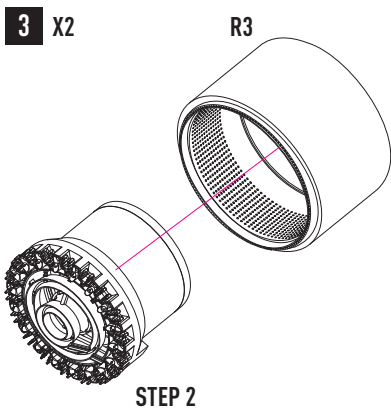
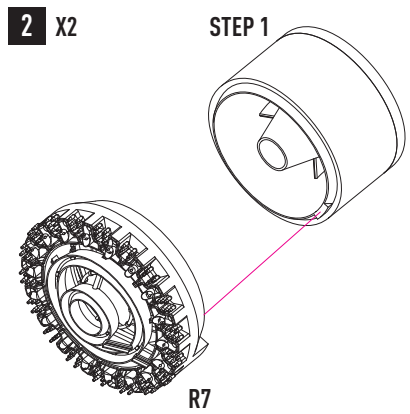
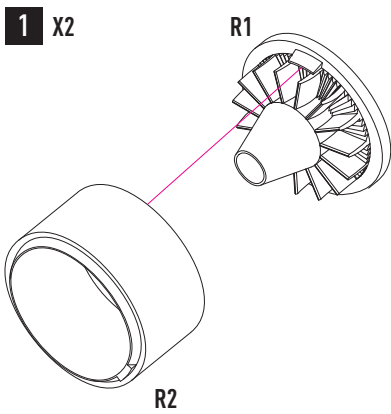
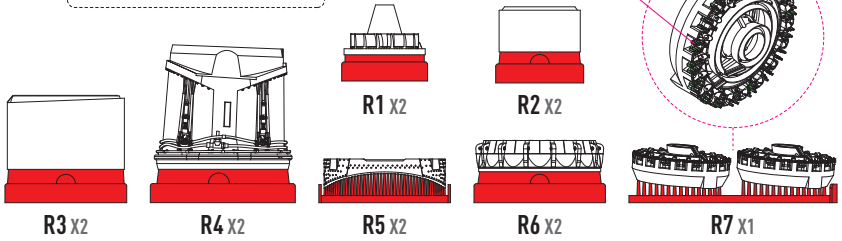


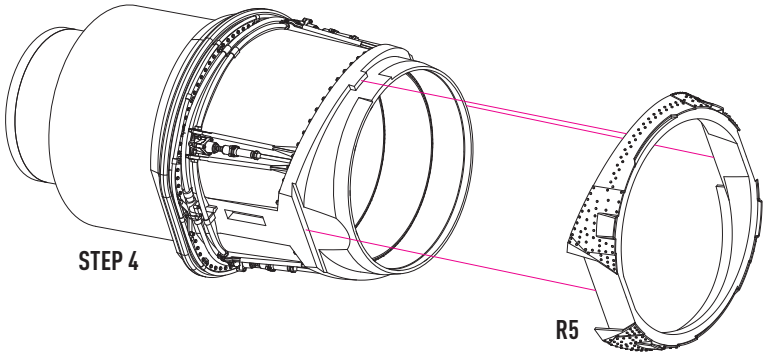
CUT

 USE A SAW TO REMOVE SUPPORTS FROM 3D PRINTED PARTS

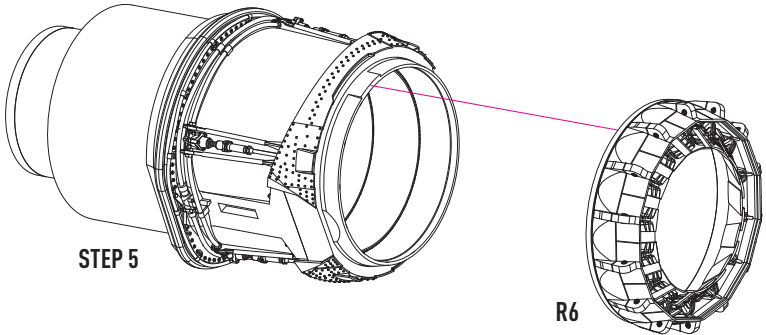
ATTENTION, FRAGILE PARTS!



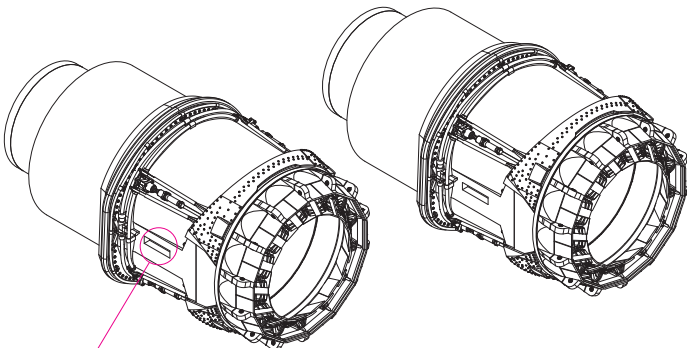
5 X2



6 X2



7



IN PARTS 48, 49, 50, 51, 52, 53, 54, 55 OF
THE ORIGINAL KIT GRIND OFF THE SEAT BY 0,5 MM