

A-4E Sky Hawk

A-4E スカイホーク A-4E “天鷹” 攻击机

PLEASE READ BEFORE OPERATION!

- * Tools recommended as below: (Not included)
Adhesives; Paints; Side Cutters; Sharp Edged Pliers; Modeling Knife; Modeling File; Nippers; Drill; Scissors; Sand Paper; Soft Cloth; Cyanoacrylate Glue.
- * Make sure to read this instruction listed below before assembling.
- * The kit contains the small parts, they can be dangerous if swallowed by mistake, so keep them away from reach of children.
- * Cut the all parts off carefully and remove the waste parts into the garbage can.
- * More caution and care should be needed for cutting and handling the photo etched parts.
- * Make attention that some parts should be attached the decal when assembled.
- * During assembling, please tear up and throw away the plastic bags, or may cause the dangerous if wearing over head by children's mistake.
- * When using the adhesives and paints, please do not use them in the closed room or near the fire, also must be very careful to protect your eyes, face and clothes.
- * Adult supervised when assembled by children under 14 years old.

装配前请仔细阅读:

- * 推荐使用的模型工具(请自备):
专用模型胶水, 专用模型油漆, 水口剪刀, 长咀钳, 刀片, 锉刀, 镊子钳, 钻, 剪刀, 软布, 砂纸, 瞬间快干胶等。
- * 用水口剪刀或刀片小心切下所有塑胶零件和蚀刻片零件, 不要遗失小零件。
- * 切取蚀刻片时应特别注意防止利边划伤手指。
- * 用模型锉刀小心锉平所有零件表面的注射浇口。
- * 用适量的强力快干胶水粘合蚀刻片零件和金属轴, 切忌过量, 否则可能导致可动零件被粘住。
- * 注意某些零件表面需在装配时同步贴上水贴纸。
- * 制作时应远离幼儿并将包装袋及时收妥, 谨防小孩玩耍而引起意外。

The method to apply the decals

1. Cut off the decal from the decal paper and put it into the warm water 40°C for 10 seconds.
2. Take the decal from the water and put it on a piece of clean cloth.
3. Remove the decal slowly from the paper to the targeted location by a wet finger.
4. Use a piece of dry and soft cloth to press it gently on the decal until it getting dry and no bubble existing.

水贴纸的使用方法:

- 一. 把相关的印花从水贴上剪下, 放入40°C左右的温水中浸10秒。
- 二. 然后将印花放在干净的布上。
- 三. 拿上印花纸板, 手指蘸水将印花移到适当的位置。
- 四. 用软干布轻压印花直至水干, 气泡消失。



cyanoacrylate glue
强力胶



weight
配重



make hole
钻孔



cut / remov
切除



option
选择



no cement
不涂胶水



decal
贴纸



bend
弯曲

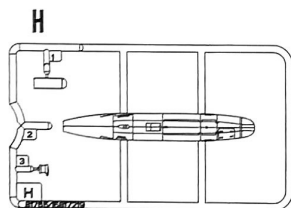
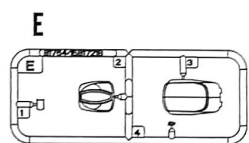
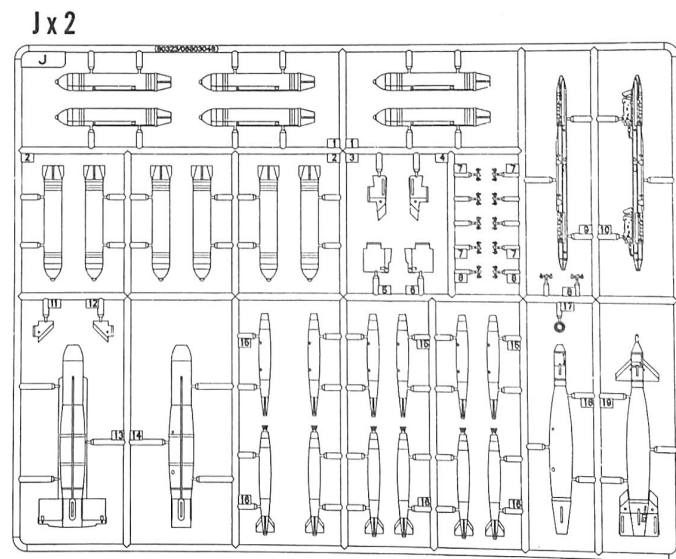
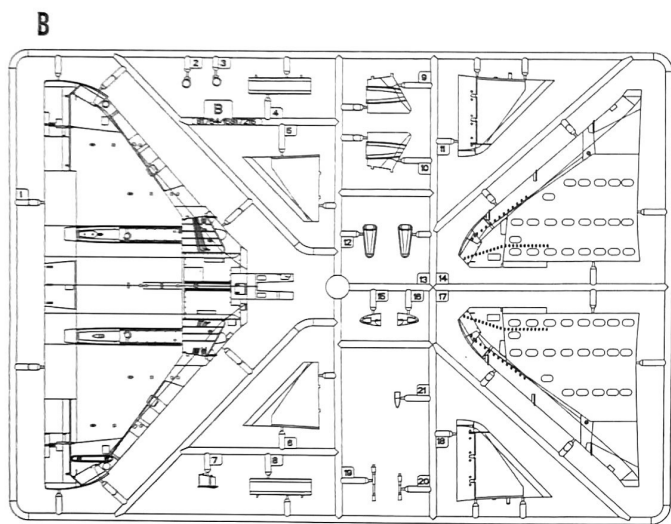
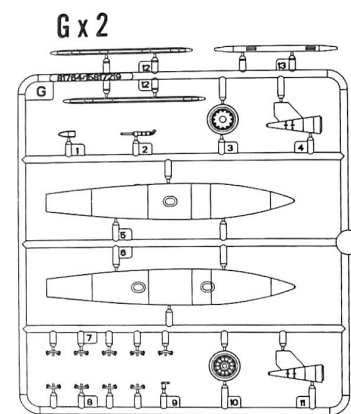
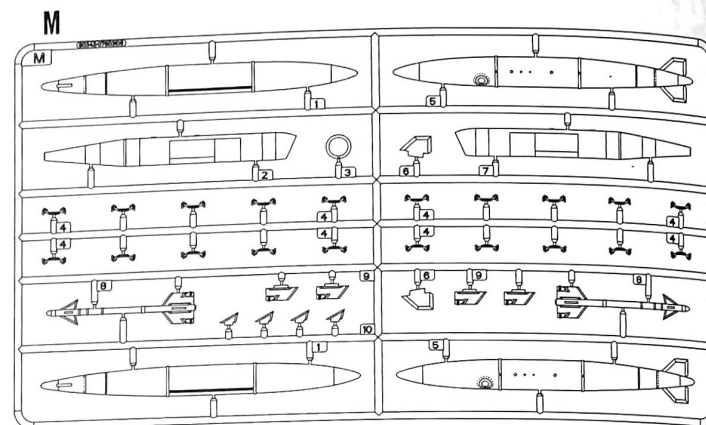
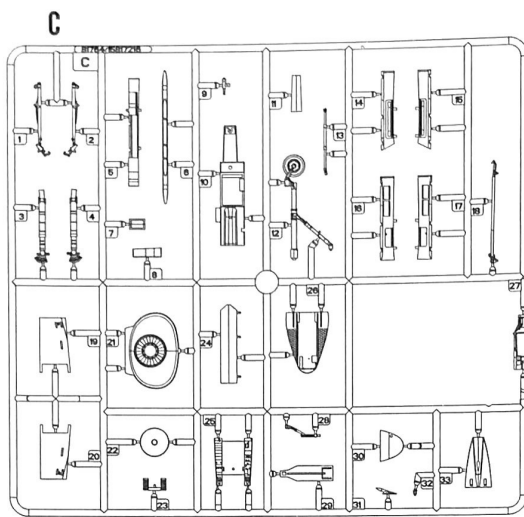
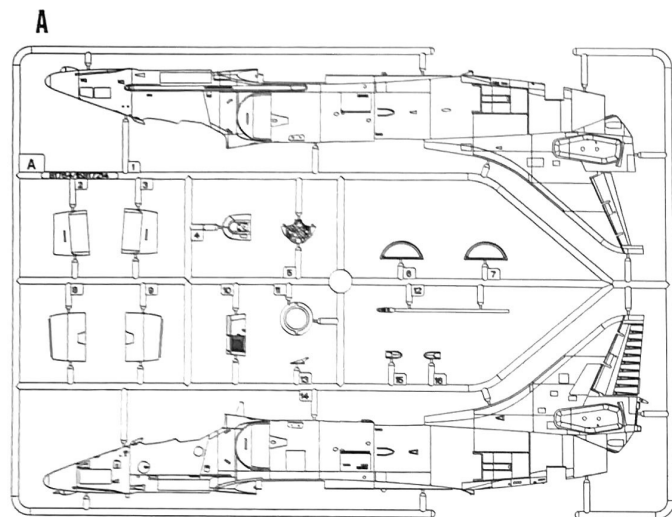


repair
填补

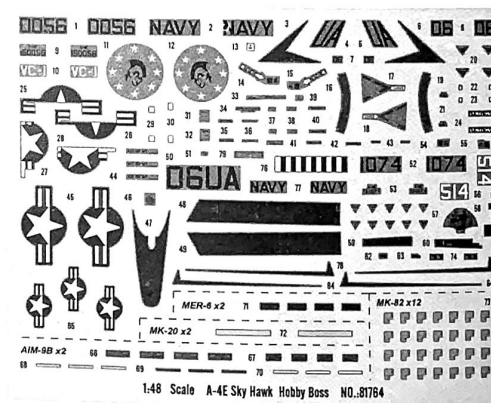


install it first
先装

部品图 Parts



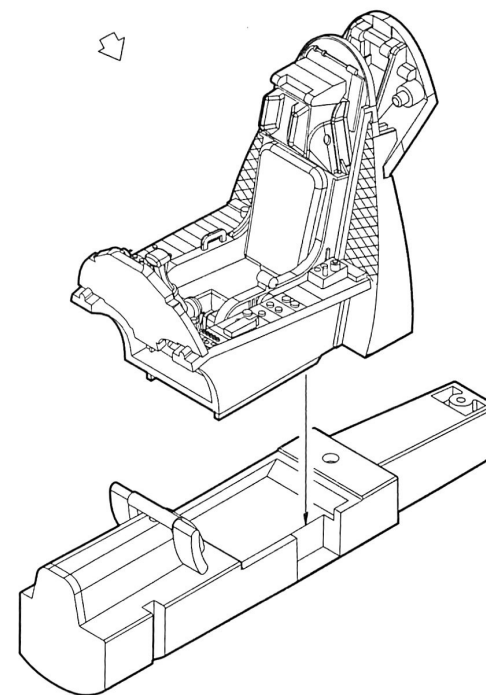
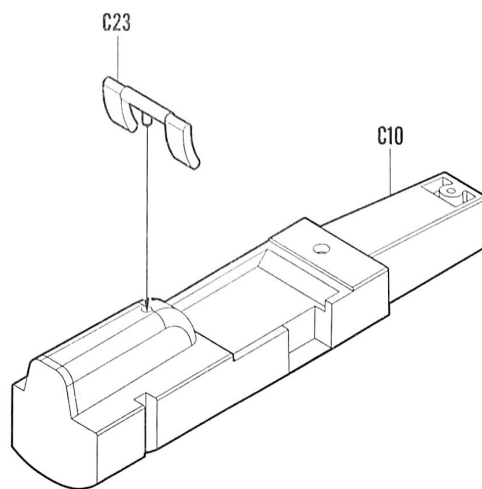
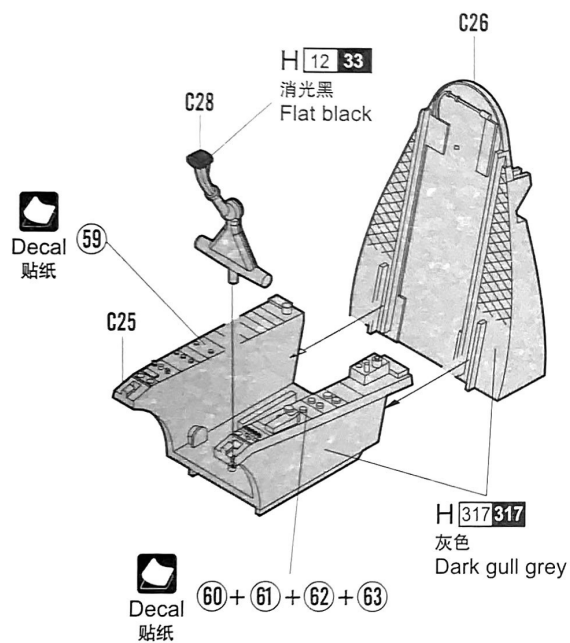
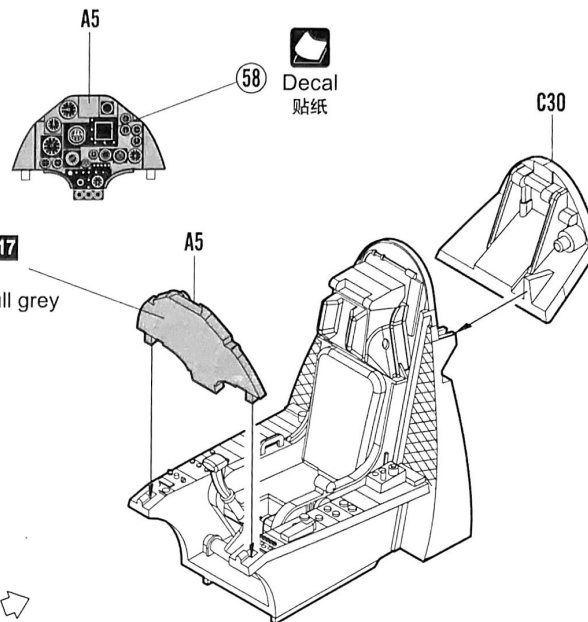
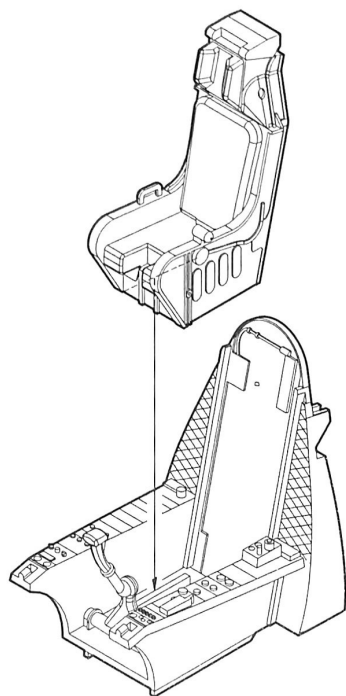
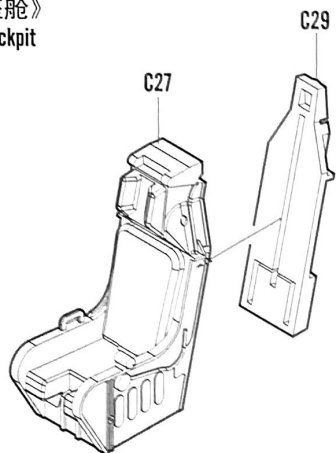
《水贴》
Decal

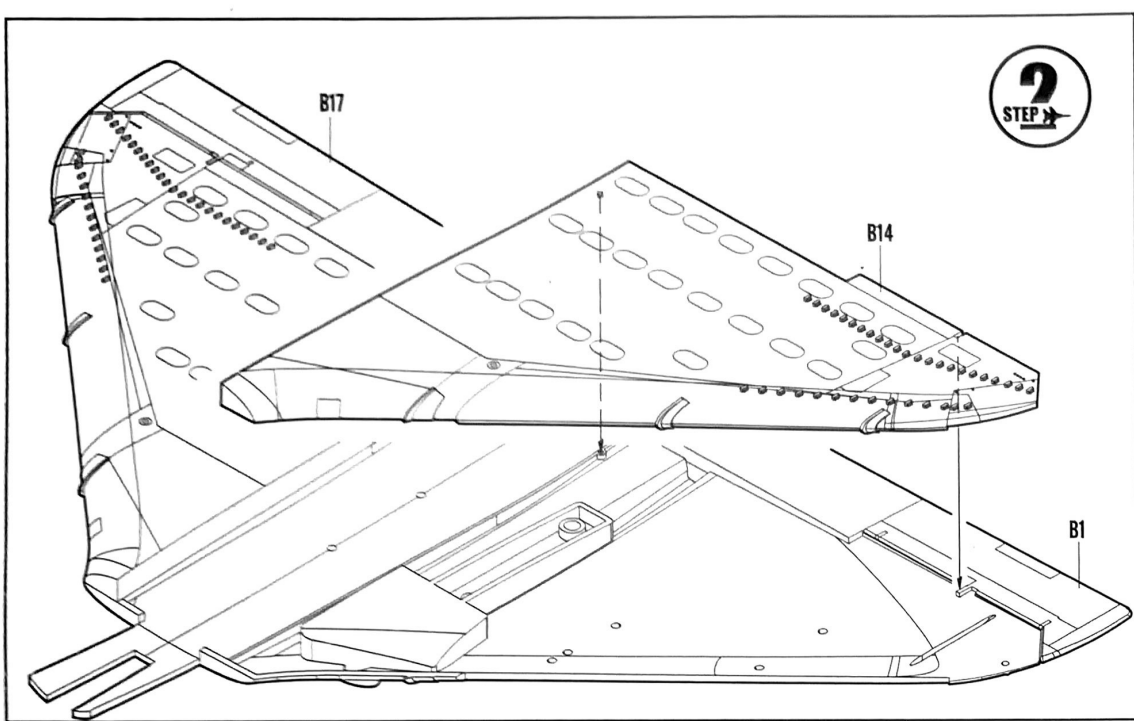


不用部件: C31,J3,J4,J5,J6,J11,J12,J13,
Unused parts J14,J17,J18,J19,M2,M7,H1,H3,M1,M5,M6.

1
STEP

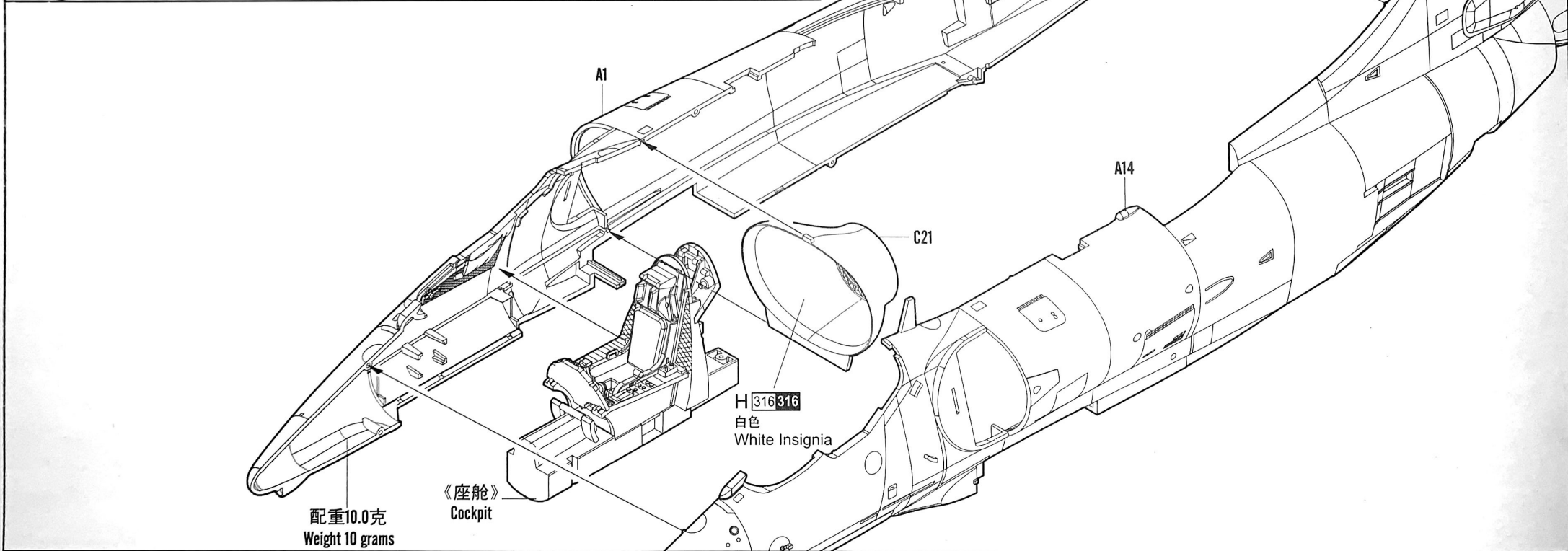
《座舱》
Cockpit





2
STEP

3
STEP



配重10.0克
Weight 10 grams

《座舱》
Cockpit

H 316316
白色
White Insignia

4
STEP

 Cut / Remove
切除

H2

 Option
选择

C7

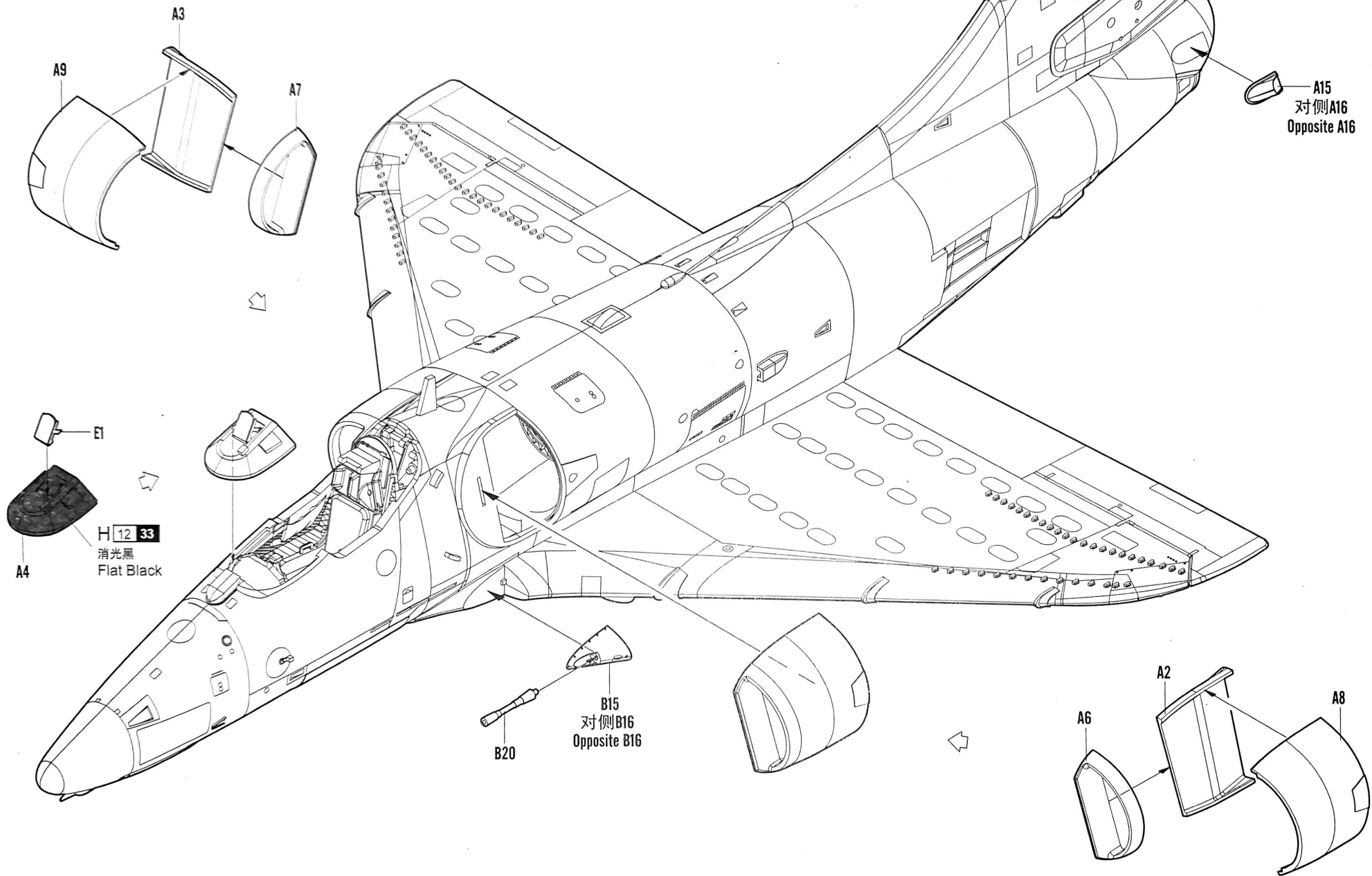
C33

G1 对侧相同
Both sides

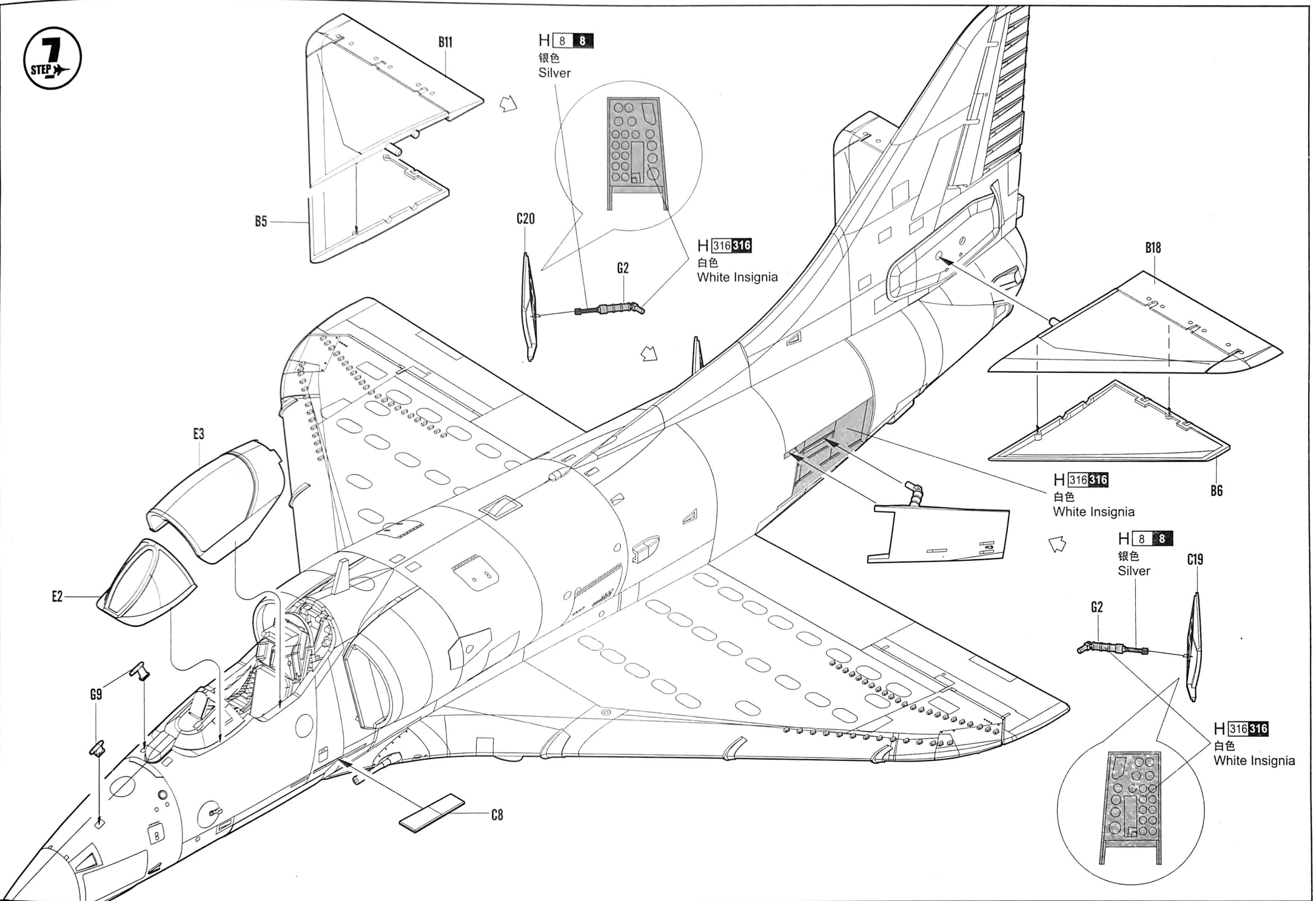
5
STEP

C22 A11

A10



7
STEP



B11

H 8 8
银色
Silver

B5

C20

G2

H 316 316
白色
White Insignia

B18

H 316 316
白色
White Insignia

B6

E3

E2

G9

C8

H 8 8
银色
Silver

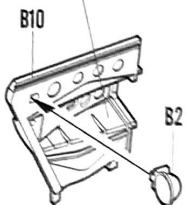
G2

C19

H 316 316
白色
White Insignia



H 316 316
白色
White Insignia



B10

B2

B13
对侧 B12
Opposite B12

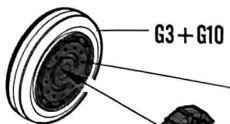
H 8 8
银色
Silver

H 316 316
白色
White Insignia

Decal
贴纸 75

H 18 23
黑铁色
Metal Black

H 316 316
白色
White Insignia



G3+G10

H 316 316

白色
White Insignia

对侧 B4
Opposite B4

B8

B21

C1

74

Decal
贴纸

C32 (E4)

C18

A13

C24

C11

B7

H 316 316

白色
White Insignia

G3+G10

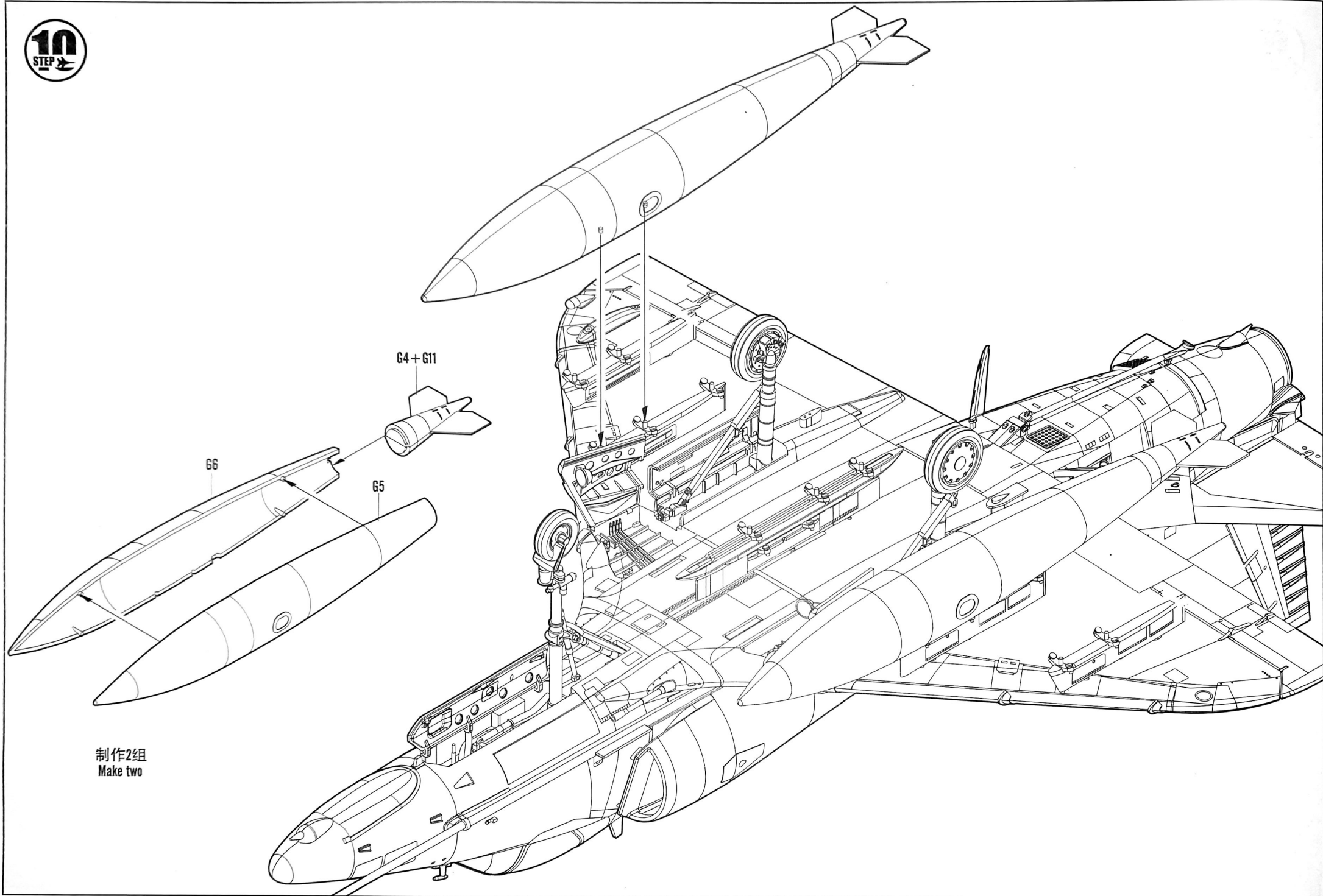
Decal
贴纸

74

C4

C2

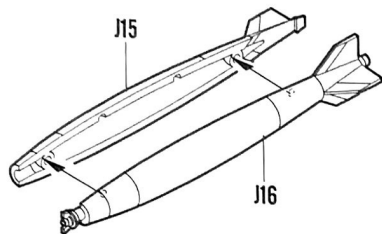
A12



制作2组
Make two

11
STEP

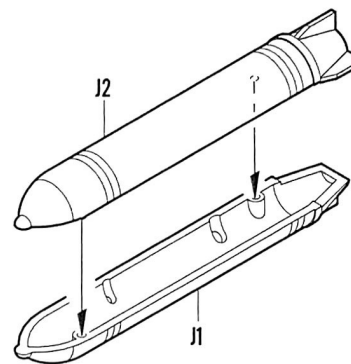
《 MK.82 》



制作12组
Make twelve

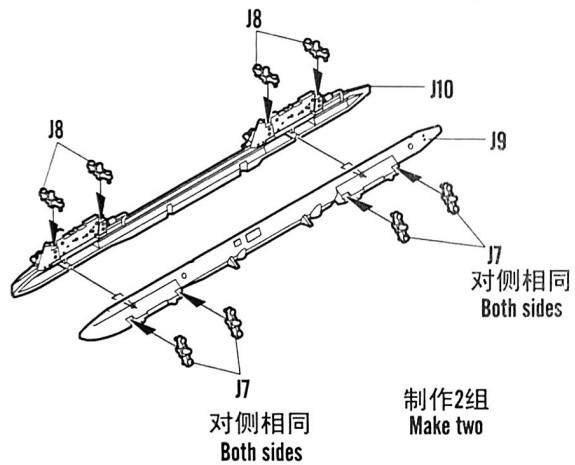
12
STEP

《 MK.20 》

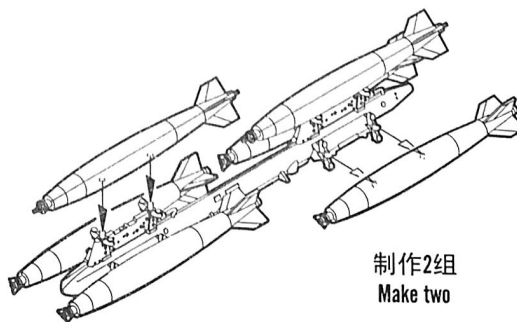


制作2组
Make two

13
STEP



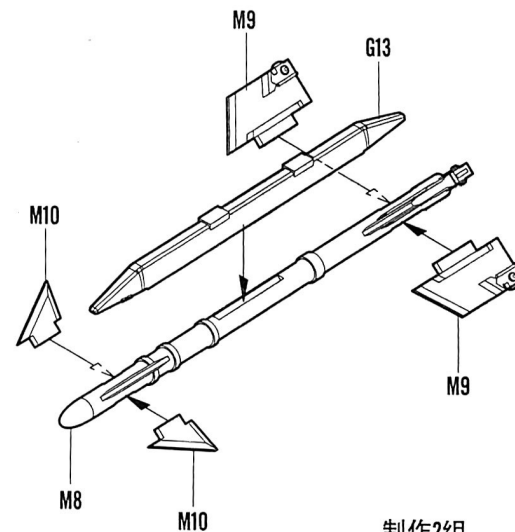
制作2组
Make two



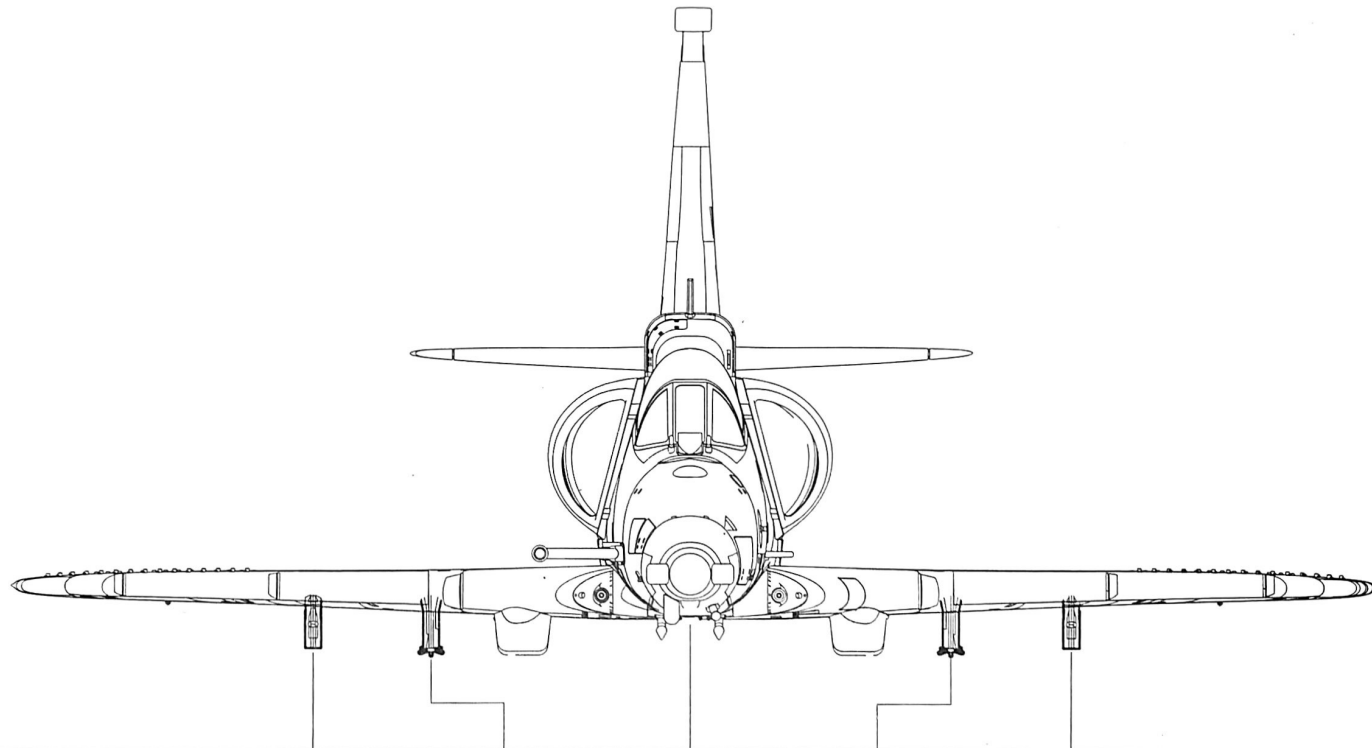
制作2组
Make two

14
STEP

《 AIM-9B 》

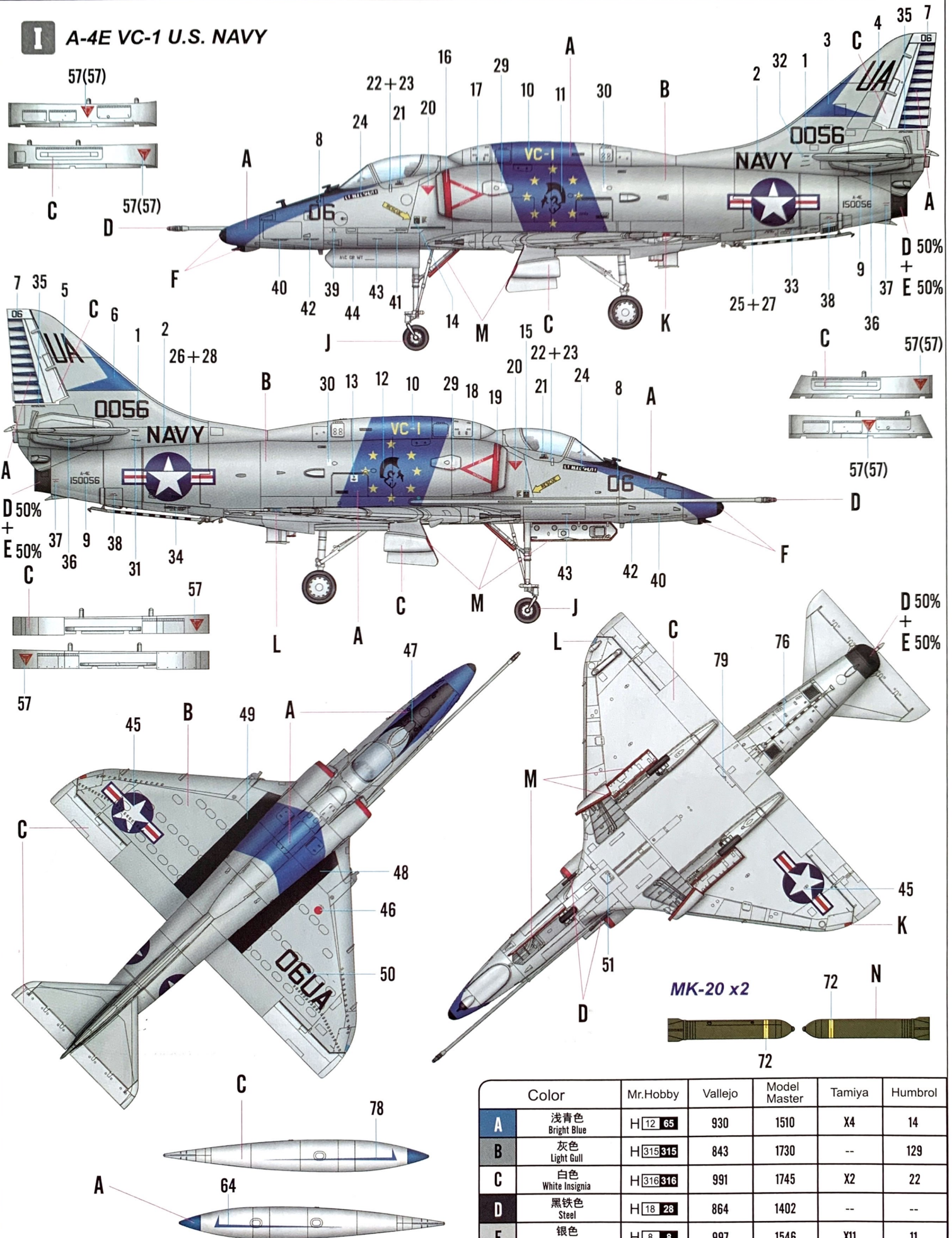


制作2组
Make two



Sta.No.	1	2	3	4	5
Weapon/Tank					
MK.82	•••	•••	•••	•••	•••
MK.20	•••	•••	•••	•••	•••
AIM-9B	•	•		•	•

I A-4E VC-1 U.S. NAVY



NO.:81764

Color	Mr.Hobby	Vallejo	Model Master	Tamiya	Humbrol
A 浅青色 Bright Blue	H 12 65	930	1510	X4	14
B 灰色 Light Gull	H 315 315	843	1730	--	129
C 白色 White Insignia	H 316 316	991	1745	X2	22
D 黑铁色 Steel	H 18 28	864	1402	--	--
E 银色 Silver	H 8 8	997	1546	X11	11
F 消光黑 Flat Black	H 12 33	950	1749	XF1	33

※ Some paints may not be available in your country. Please check your local hobby shop for substitute

标贴与涂装

MARKING & PAINTING

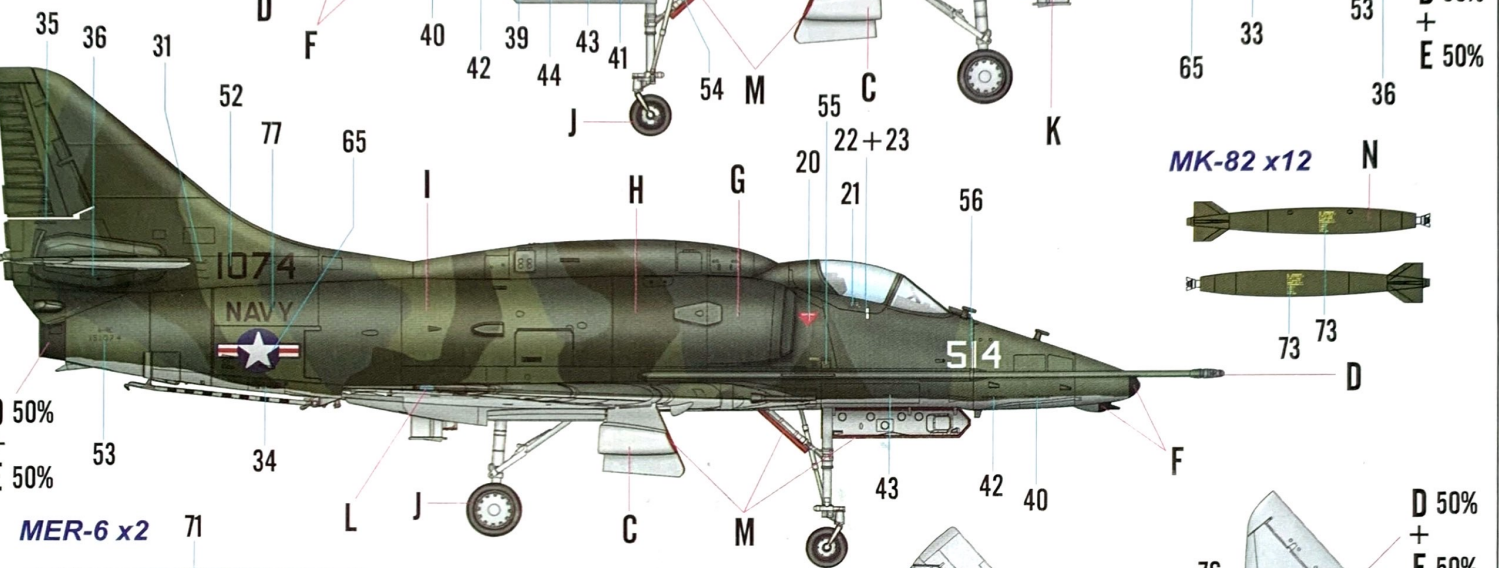
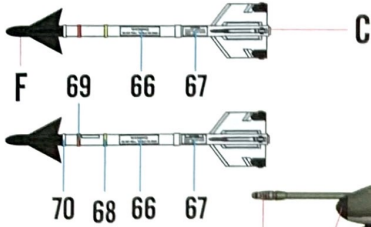
A-4E Sky Hawk

A-4E スカイホーク A-4E “天鹰” 攻击机

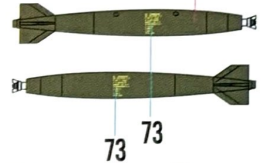


II Douglas A-4E Skyhawk, US Navy, BuAer 151074, VA-155, CVA-64 USS Constellation, ca. 1966

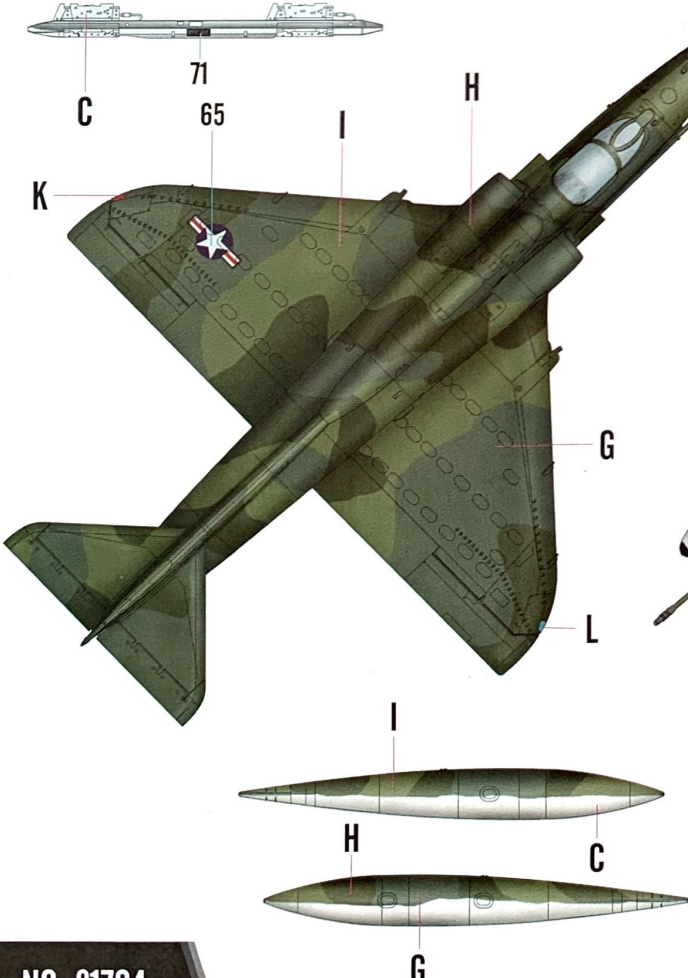
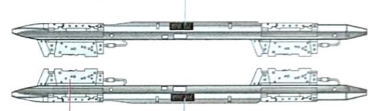
AIM-9B x2



MK-82 x12



MER-6 x2



	Color	Mr.Hobby	Vallejo	Model Master	Tamiya	Humbrol
G	灰色 Engine Grey	H[301] 301	866	--	XF24	--
H	绿色 Dark Green	H[302] 302	895	1764	XF26	149
I	绿色 Light Green	H[303] 303	--	1713	XF20	117
J	胎黑色 Tire Black	H[77] 137	--	--	--	--
K	透明红 Clear Blue	H[90] 47	934	--	X27	--
L	透明蓝 Clear Blue	H[93] 50	938	--	X23	--
M	红色 Red	H[3] 3	908	1503	X7	19
N	橄榄色 Olive Drab(2)	H[78] 38	--	--	--	--

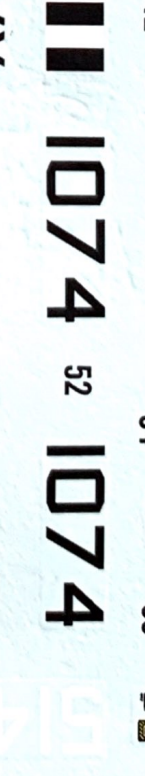
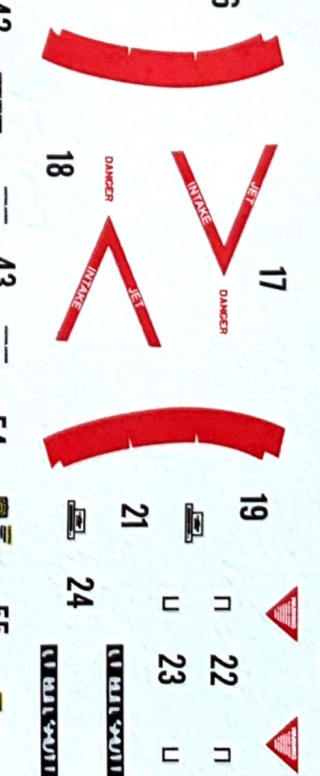
NO.:81764

※Some paints may not be available in your country. Please check your local hobby shop for substitute

0056 1 0056 NAVY 2 NAVY 3 **UA** 4 5 **UA** 6 06 8 06

A-4E 150056 9 A-4E 150056 11

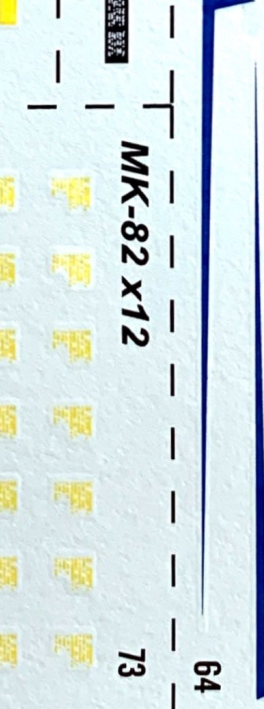
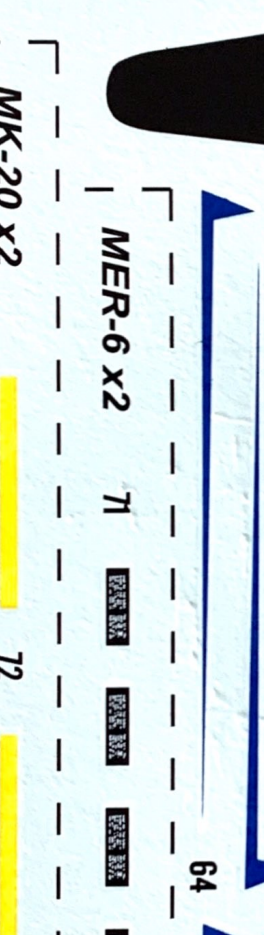
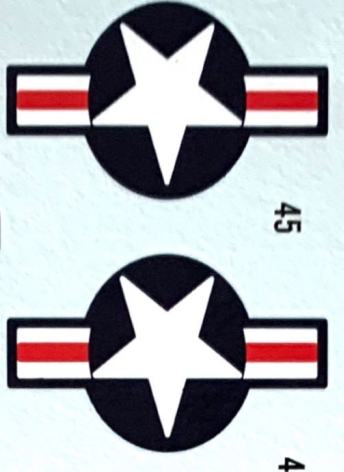
VC-1 10 VC-1



065UA NAVY 77 NAVY

1074 52 1074

514



A/M-9B x2



MK-20 x2



MER-6 x2



MK-82 x12



68



1:48 Scale A-4E Sky Hawk Hobby Boss NO.:81764