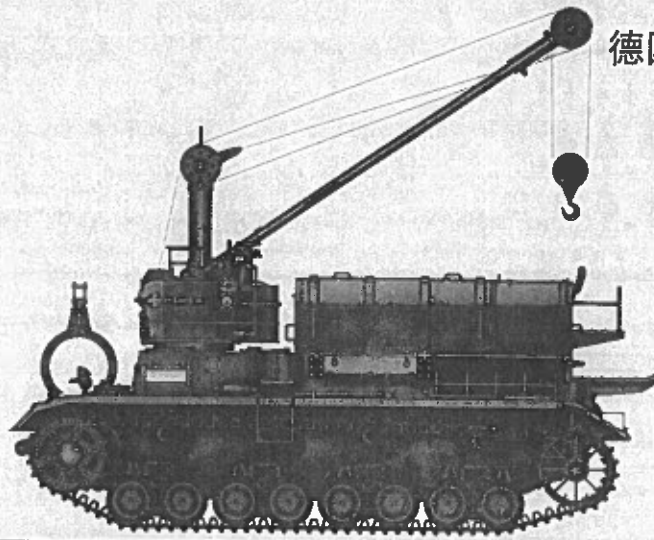


## German Pz.Kpfw IV Ausf D/E Fahrgestell

德国四号D/E型弹药输送车



## READ BEFORE ASSEMBLY:

- This kit is not recommended for inexperienced modelers or for children under 14 years of age
- Study and understand these instructions thoroughly before beginning assembly
- When needed, remove photo-etch parts carefully using a modeling knife or photo etch sprue cutter, being careful not to damage or lose small parts.
- Take extra care in handling photo etch parts in order to avoid injury
- Apply instant cement sparingly to photo etch parts where instructed
- Tools recommended(not included in kit):Plastic and instant cements,sprue cutters,long nose pliers,,modeling knife, small files, tweezers, pin vise & scissors. Soft cloth and sandpaper will also assist in construction
- Glue and paint are not included in the kit. Use plastic cement and hobby paints only. Color guide for purchasing paint is included in the kit
- Keep out of reach of children. They must not be allowed to ingest small parts or handle plastic bags in any way.

## 装配之前仔细阅读

- 小心用模型锉刀锉平所有零件表面的注射浇口。
- 小心用刀片切下蚀刻片零件，不要遗失小零件。
- 用强力快干胶水粘合蚀刻片零件和金属轴。过量的快干胶使用可能导致可动零件会粘住，小心涂胶。
- 取蚀刻片时应特别注意安全，防止利边划伤手指。
- 某些零件表面需贴水上贴纸，请选择在装配的同时进行。
- 推荐模型工具(自备)：胶水，水口剪刀，长咀钳，刀片，锉刀，镊子，钳，钻，剪刀，瞬间快干胶。
- 软布同砂纸同时也应该是必备工具。
- 请使用塑料胶水和油漆，模型内不含。
- 谨防小孩吸吮塑料零件，或者将塑料袋套在头上，制作时应将套材远离小孩接触。
- 本产品不适合14岁以下没有经验的模型爱好者。



贴纸  
Decal



锉平  
File / Sand



选择  
Option



不涂胶水  
No cement



弯曲  
Bend



使用强力胶  
Cyanoacrylate glue



配重  
Weight



钻孔  
Make hole



切除  
Cut / Remove

## 水贴纸的使用:

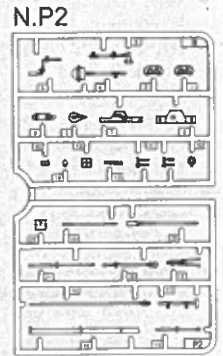
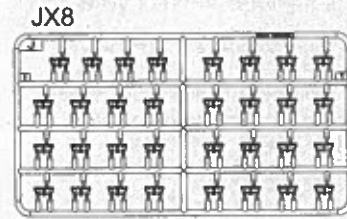
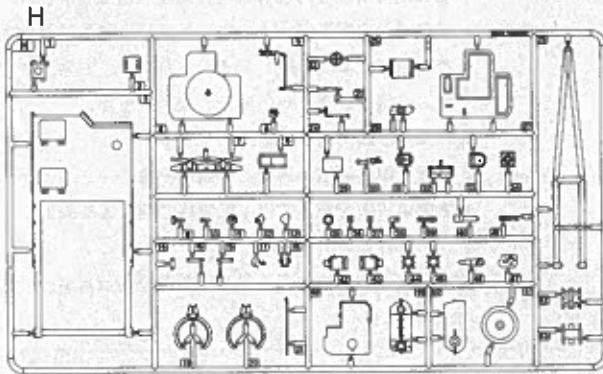
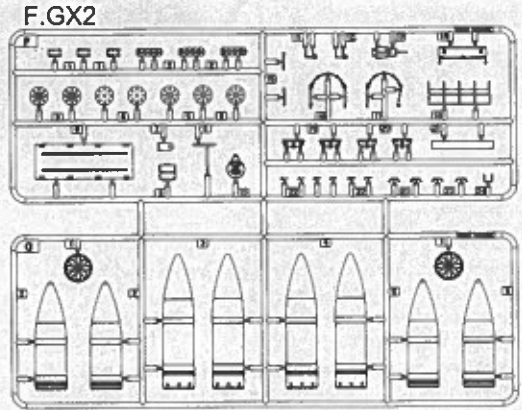
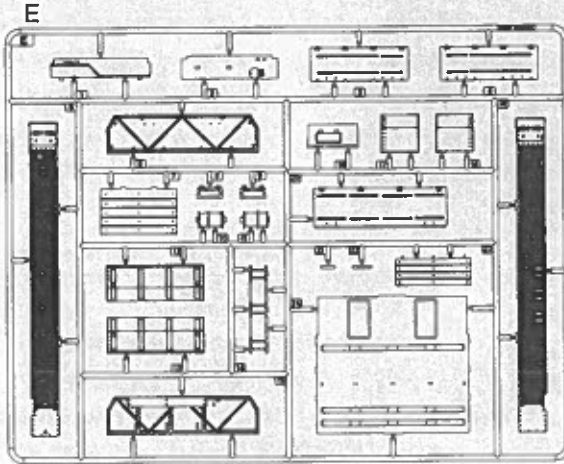
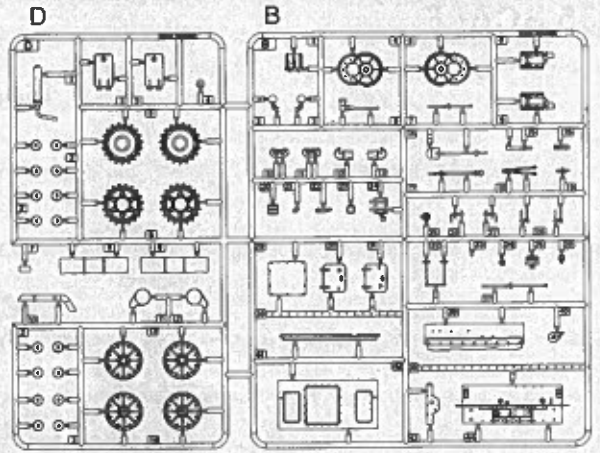
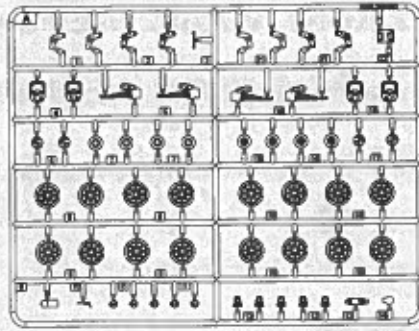
1. 从水贴上剪下印花;
2. 将印花放入温水中浸10秒, 然后放在干净布上.
3. 拿着印花纸板将印花移到模型上;
4. 手指蘸水将印花移到适当的位置;
5. 用软布轻压印花直至水干, 气泡消失.

## DECAL APPLICATION

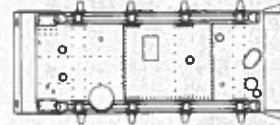
1. Cut off decal from sheet.
2. Dip the decal in tepid water 40°C for about 10 sec. and place on a clean cloth.
3. Hold the backing sheet edge and slide decal onto the model.
4. Move decal into position by wetting decal with finger.
5. Press decal gently down with a soft cloth until excess water and air bubbles are gone.
6. Allow decal to dry completely before handling model.

部品图  
Parts

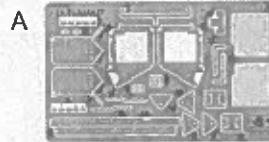
AX2



车底  
Lower hull

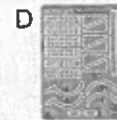
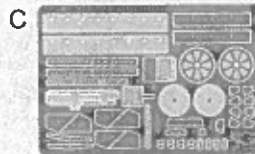
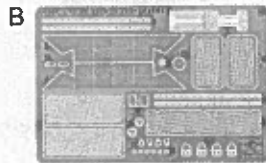


蚀刻片  
Photo etched part(PE)



弹簧X4  
SpringX4

铜钉X6  
Tackx6



铜丝  $\phi$  0.3X100mm  
Brass wire

铜丝  $\phi$  0.5X100mm  
Brass wire

金属炮弹  
Metal shell

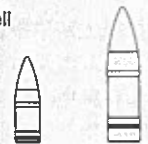
透明片  
Transparent parts



履带X2  
TrackX2

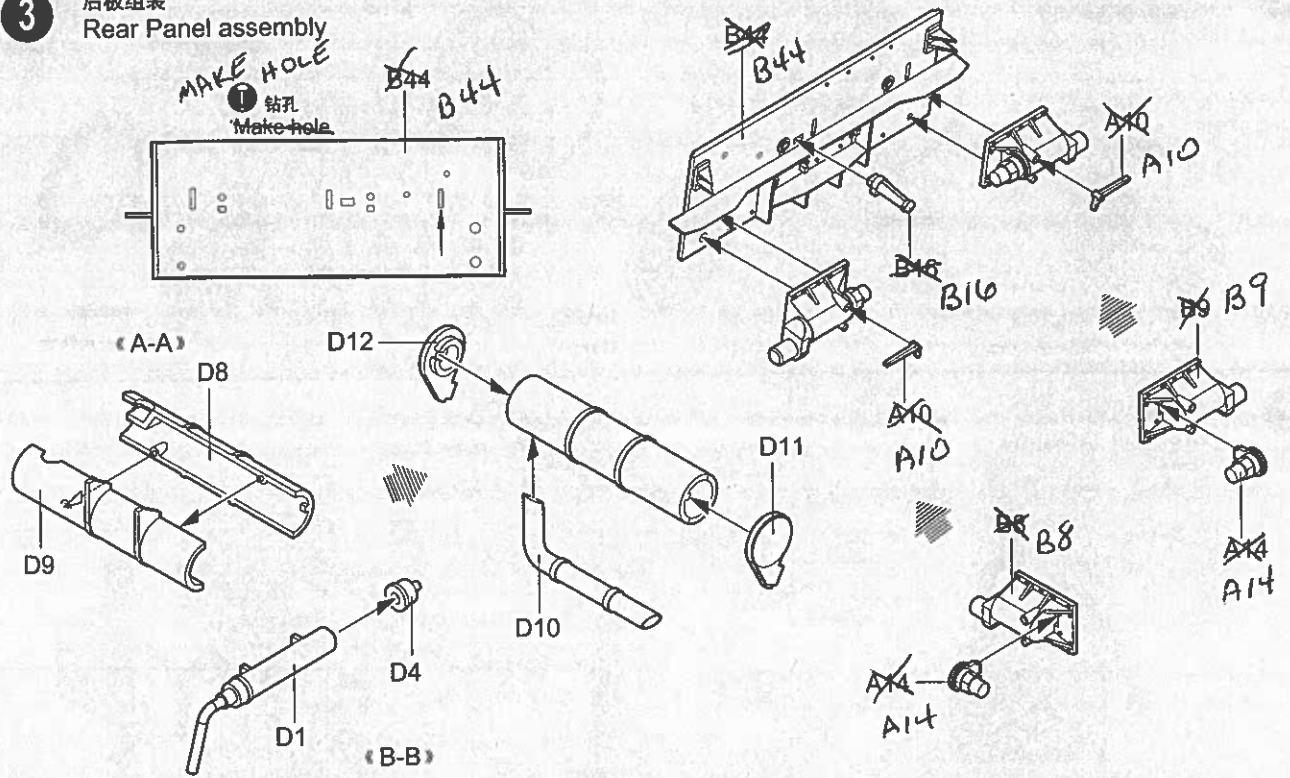


棉绳: 0.8x100cm  
Rope: 0.8x100cm



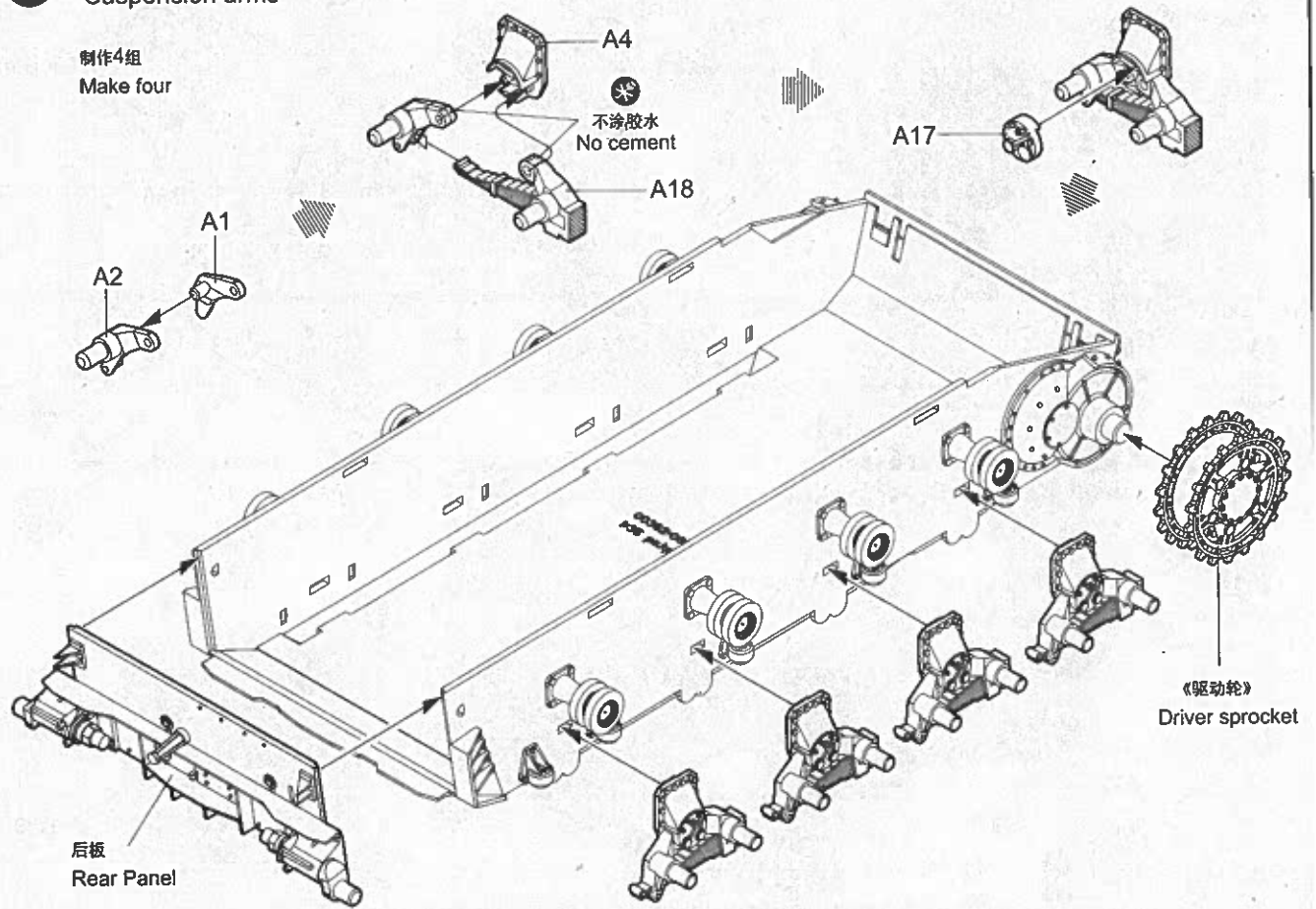


**3** 后板组装  
Rear Panel assembly

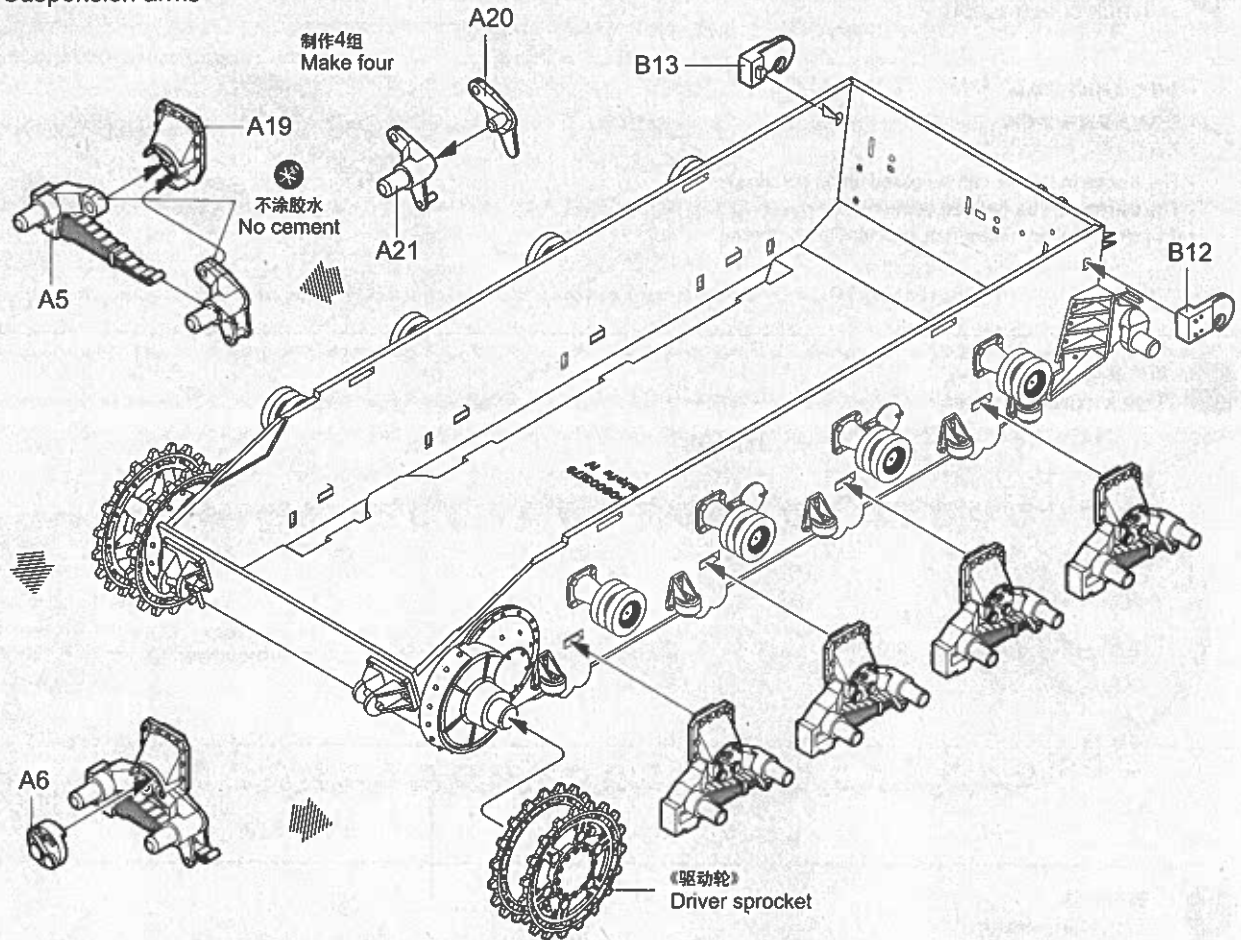


**4** 悬臂安装  
Suspension arms

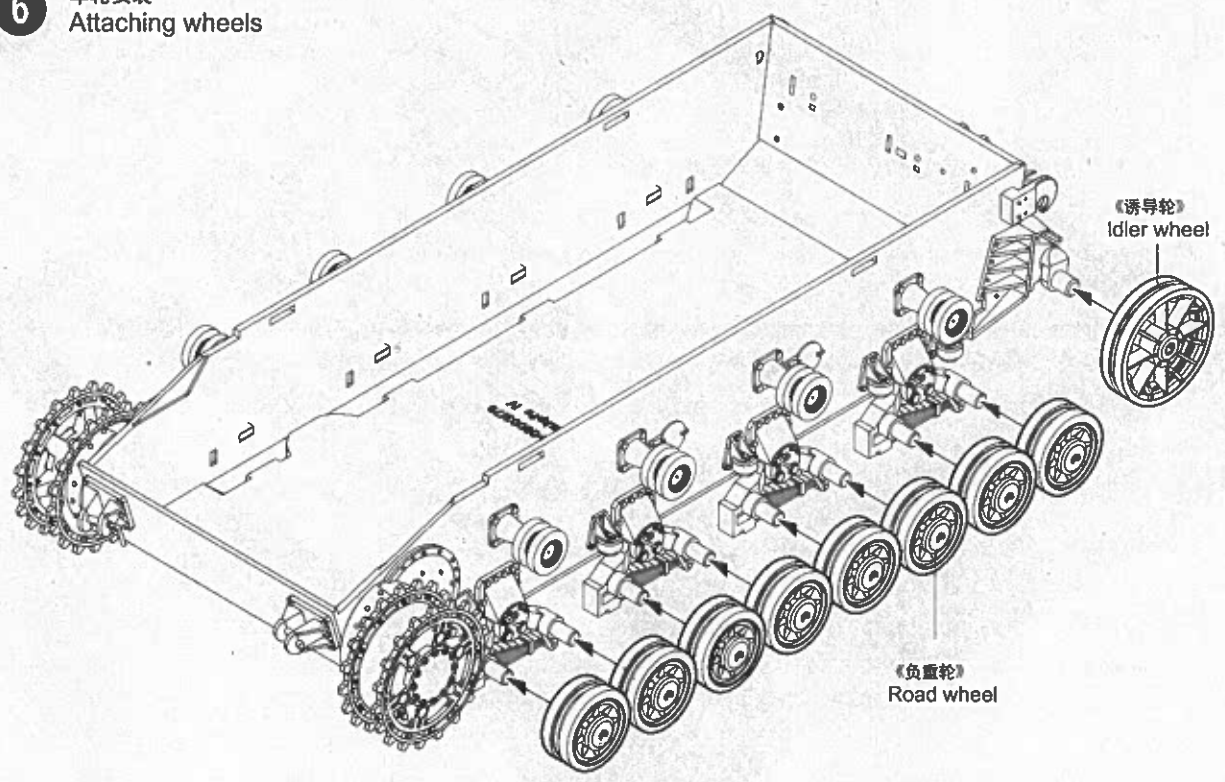
制作4组  
Make four



**5** 悬臂安装  
Suspension arms

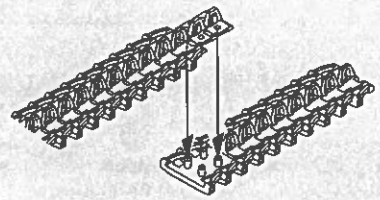


**6** 车轮安装  
Attaching wheels

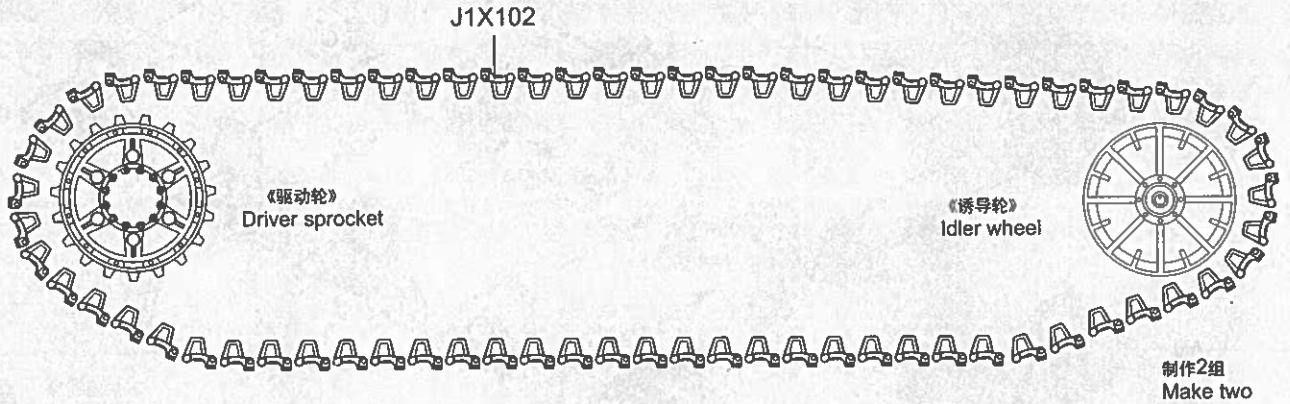


**7** 履带联接  
Track construction

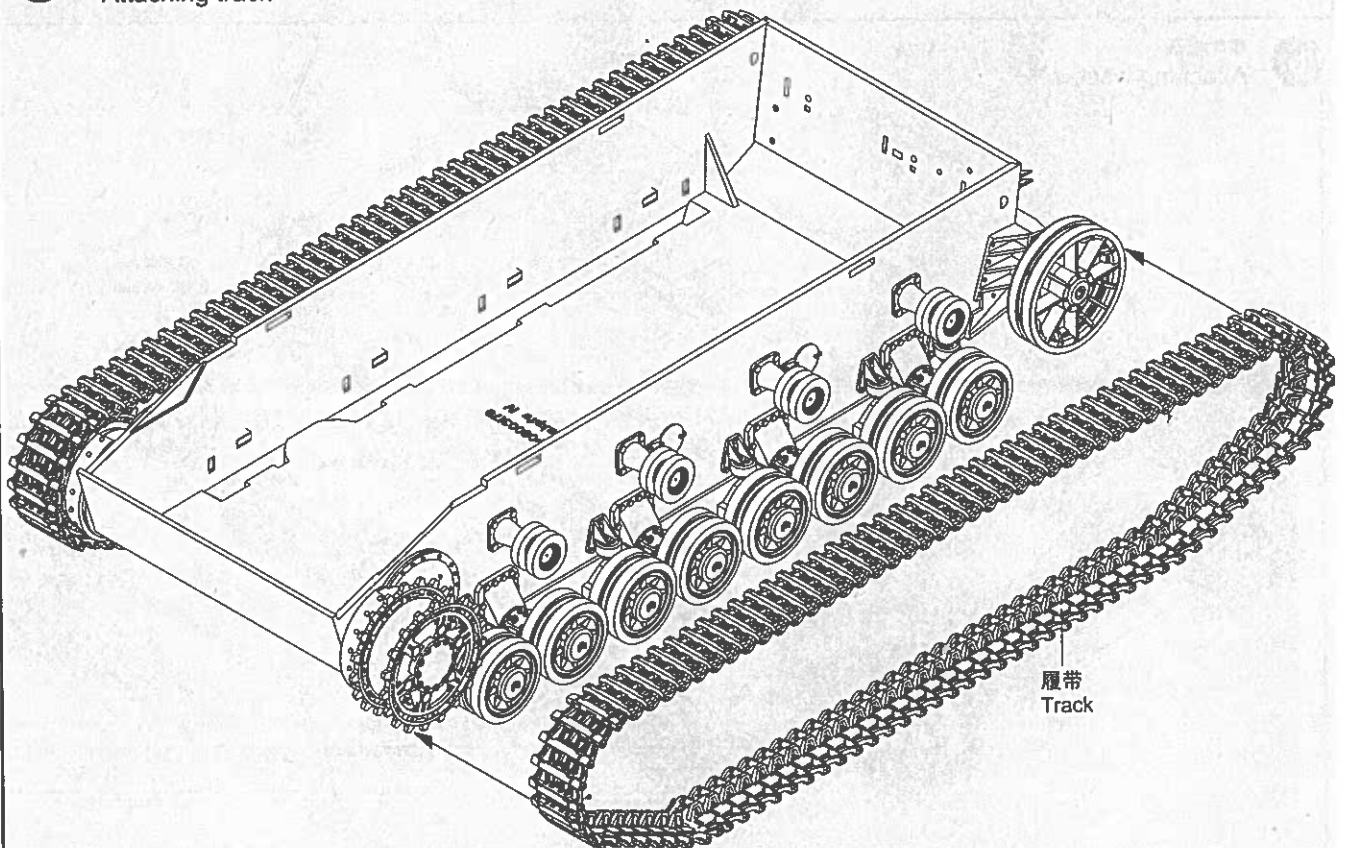
- 履带可用塑料胶水粘合。
- 履带可用模型油漆喷涂。
- 若履带断裂，用细丝线固定。
- The tracks in this kit can be glued using plastic cement.
- The tracks can be painted using plastic paints.
- If track is broken strengthen with staples or thread.



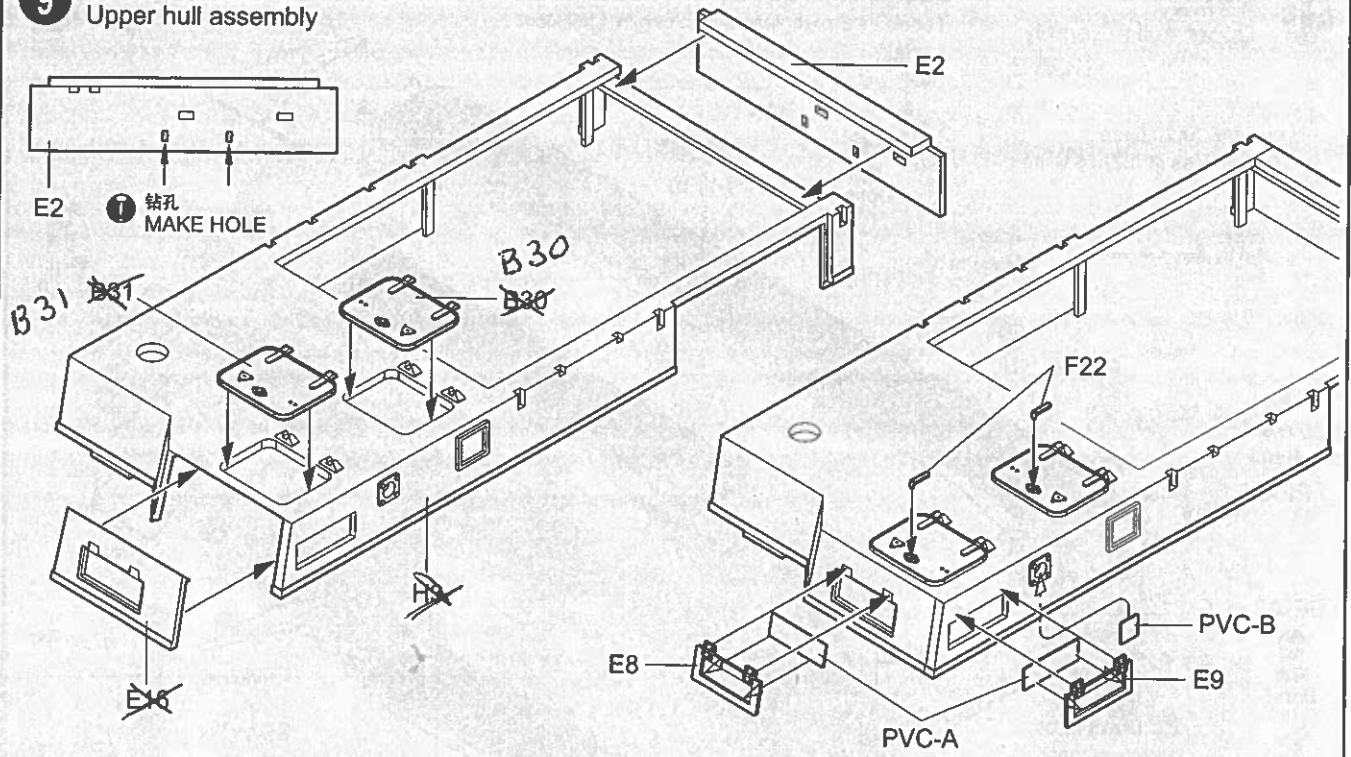
**?** 履带联接  
Track construction



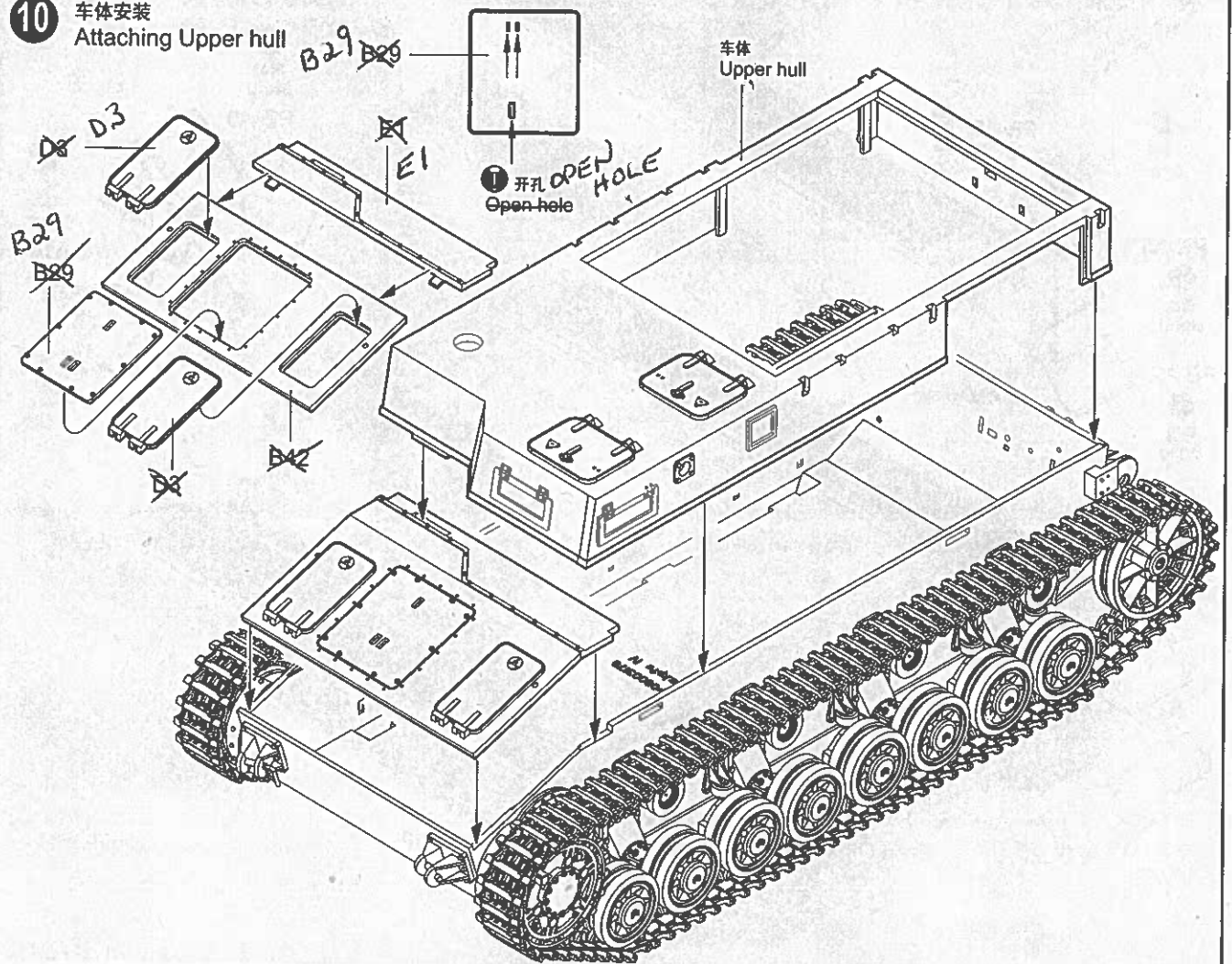
**8** 履带安装  
Attaching track



**9** 车体组装  
Upper hull assembly



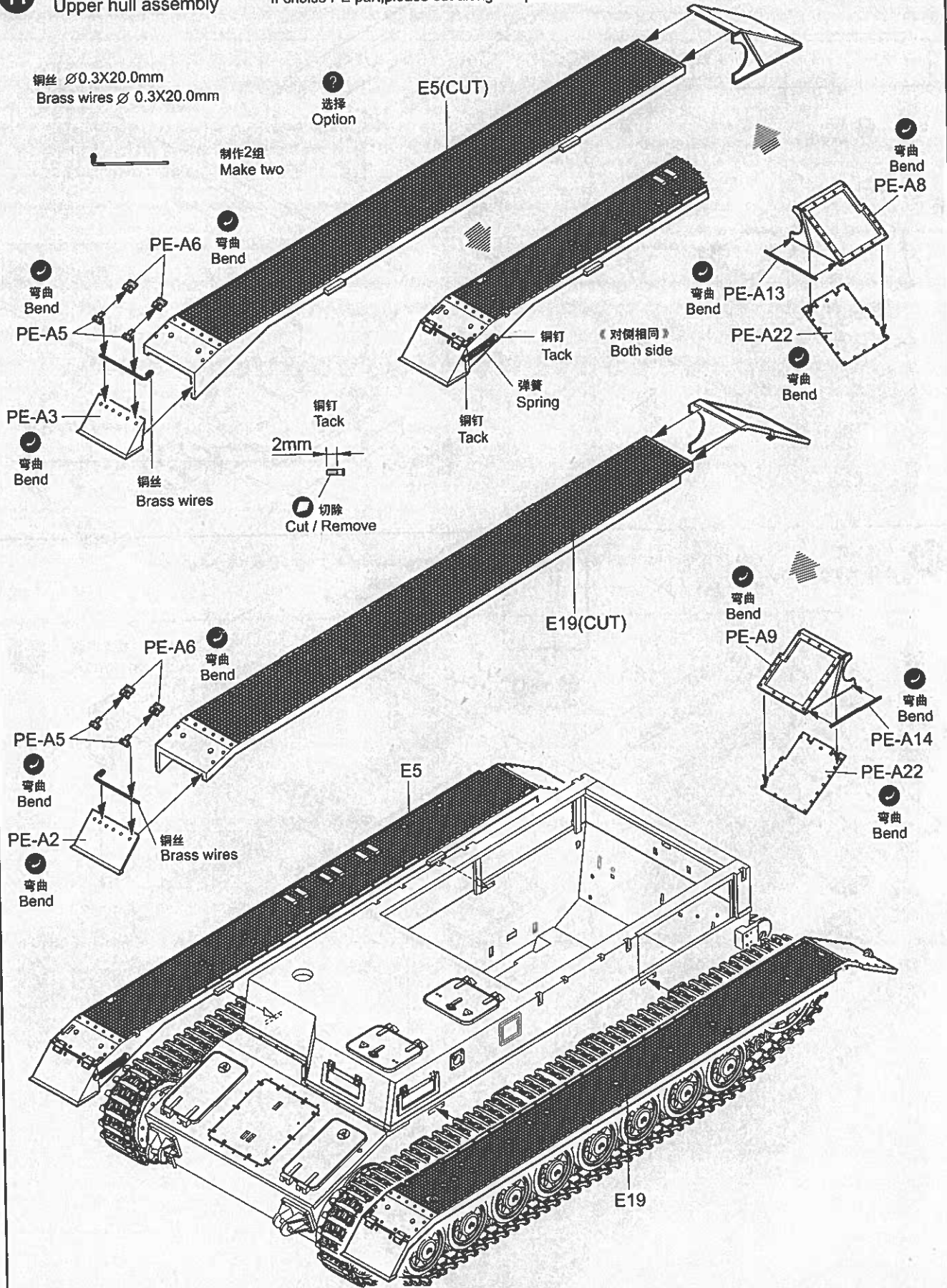
**10** 车体安装  
Attaching Upper hull



11

车体组装  
Upper hull assembly

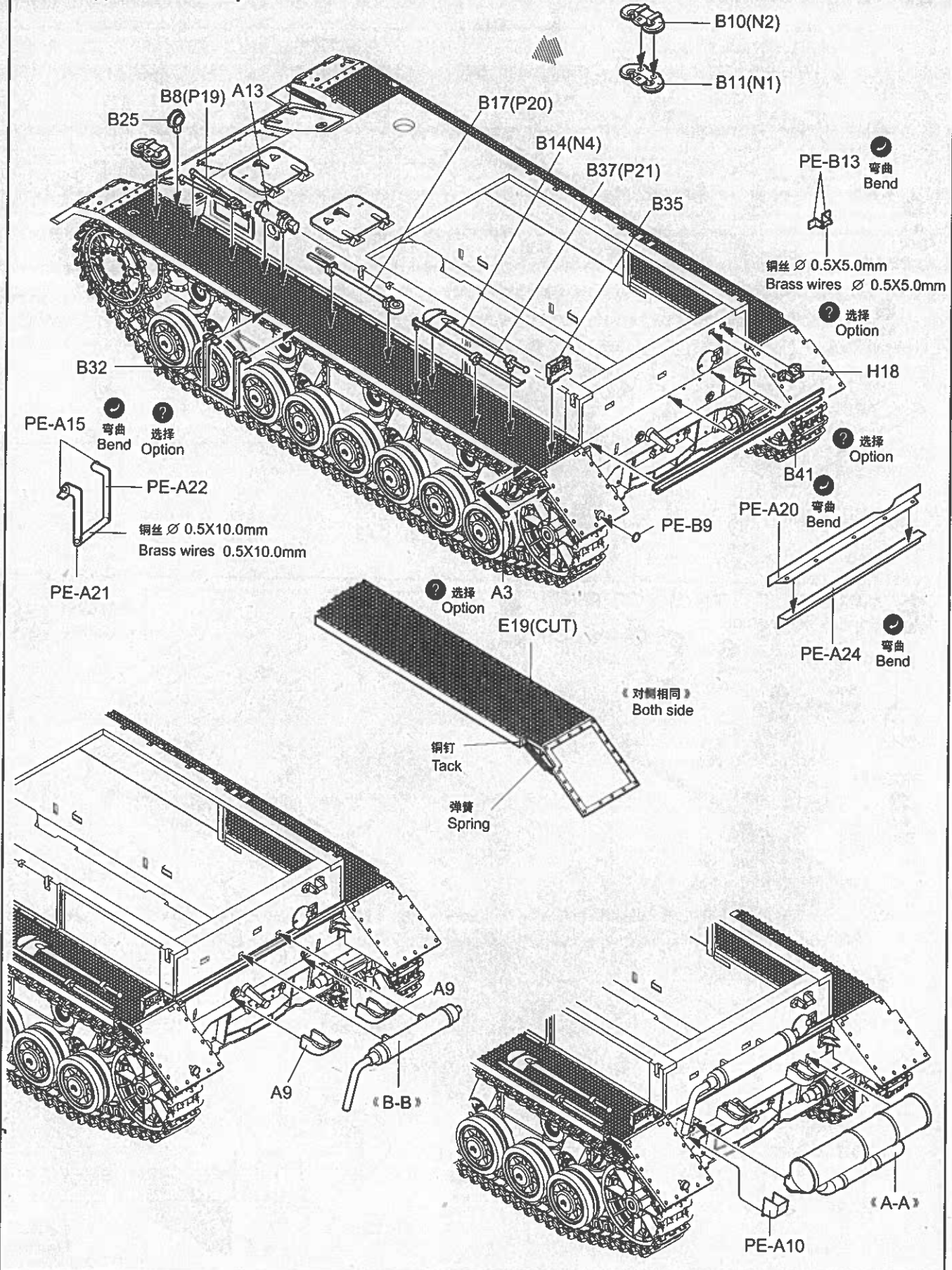
如果安装蚀刻片，沿线切材料。  
If choose PE part, please cut along this position.



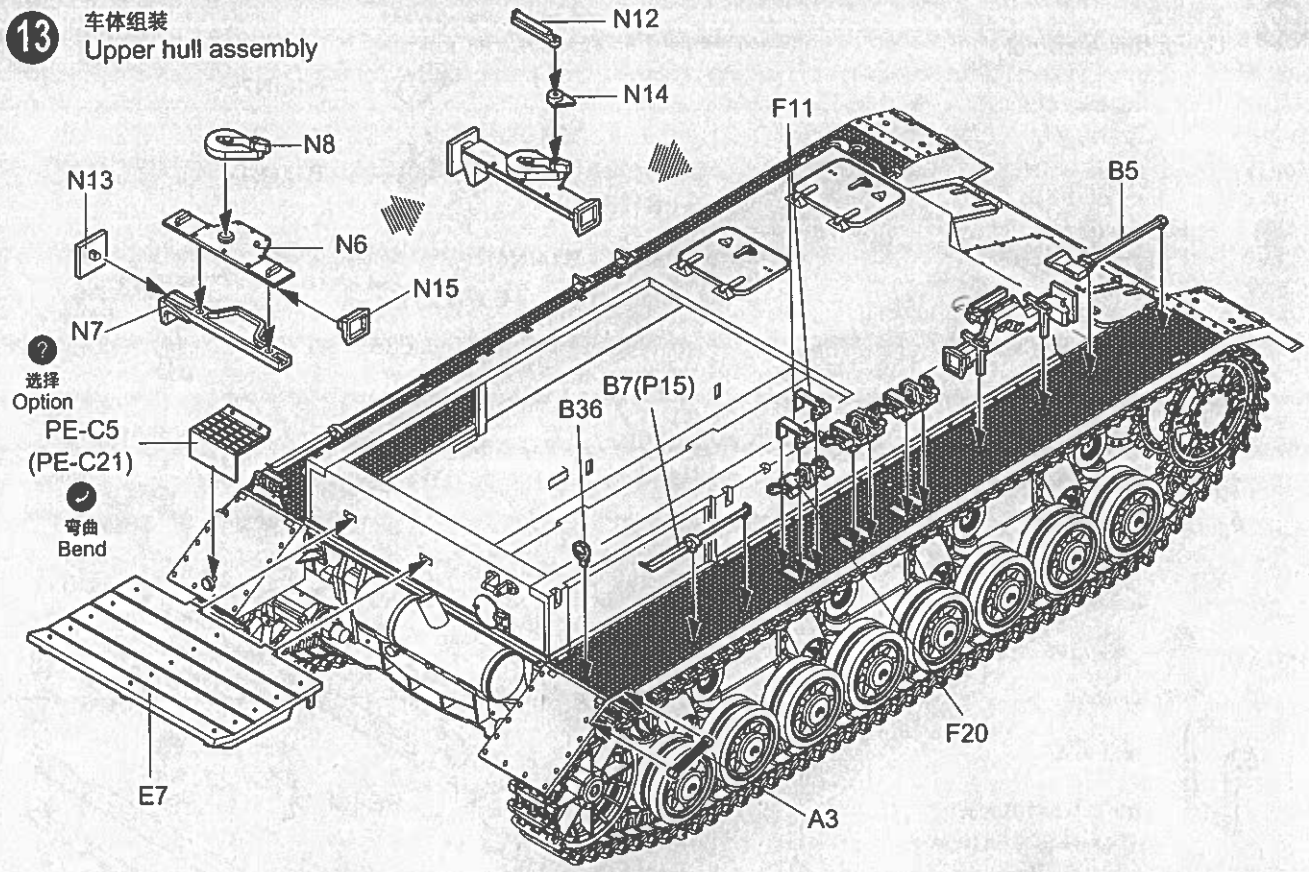


12

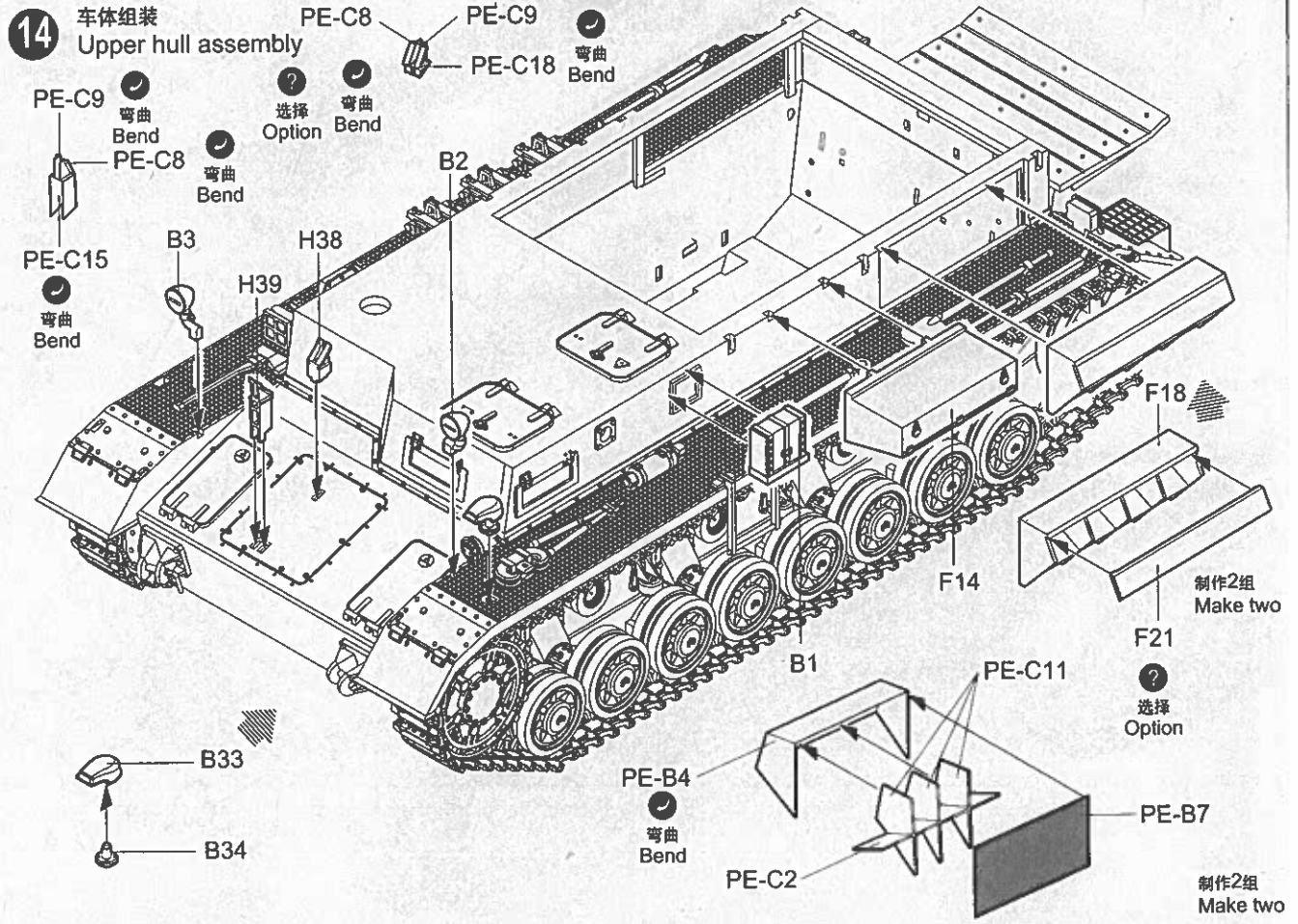
车体组装  
Upper hull assembly



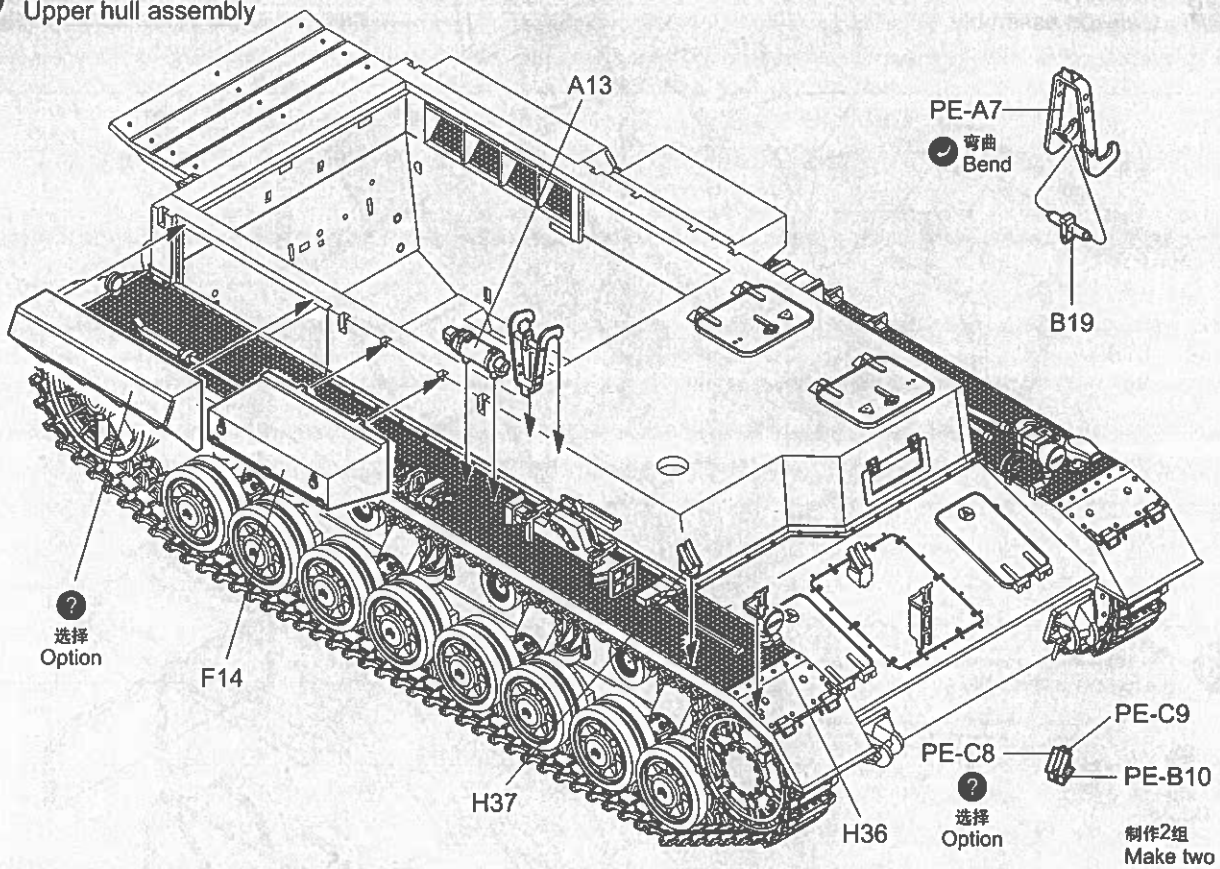
**13** 车体组装  
Upper hull assembly



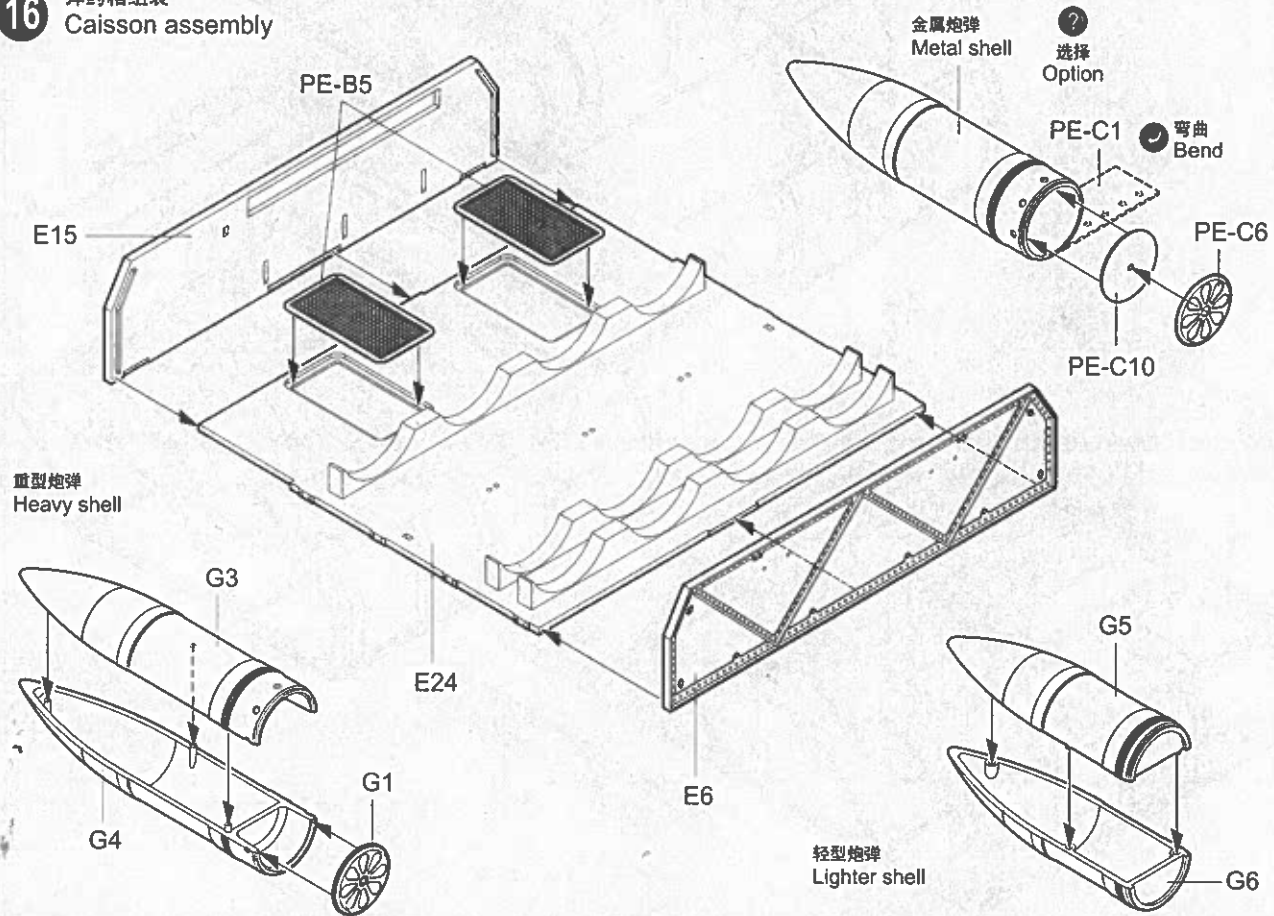
**14** 车体组装  
Upper hull assembly



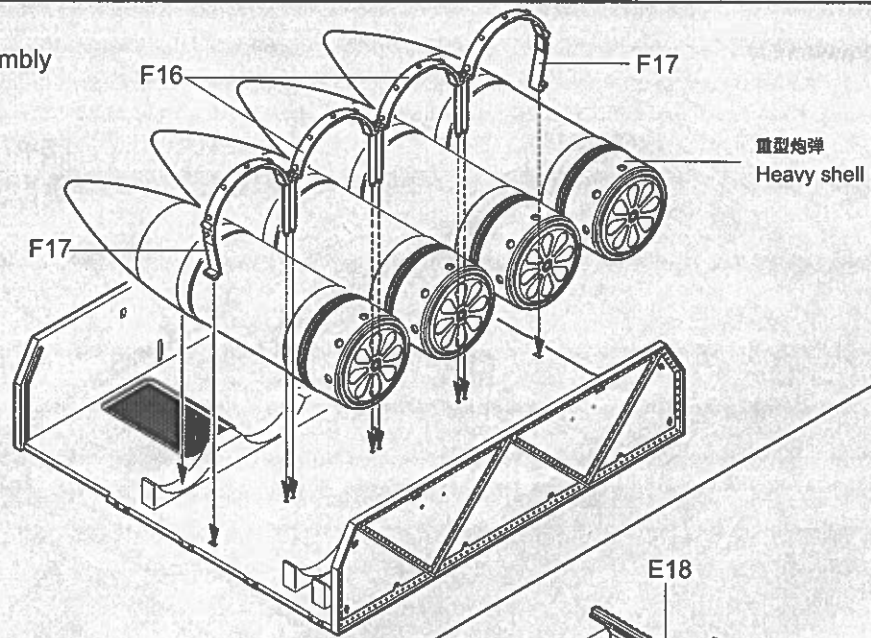
**15** 车体组装  
Upper hull assembly



**16** 弹药箱组装  
Caisson assembly

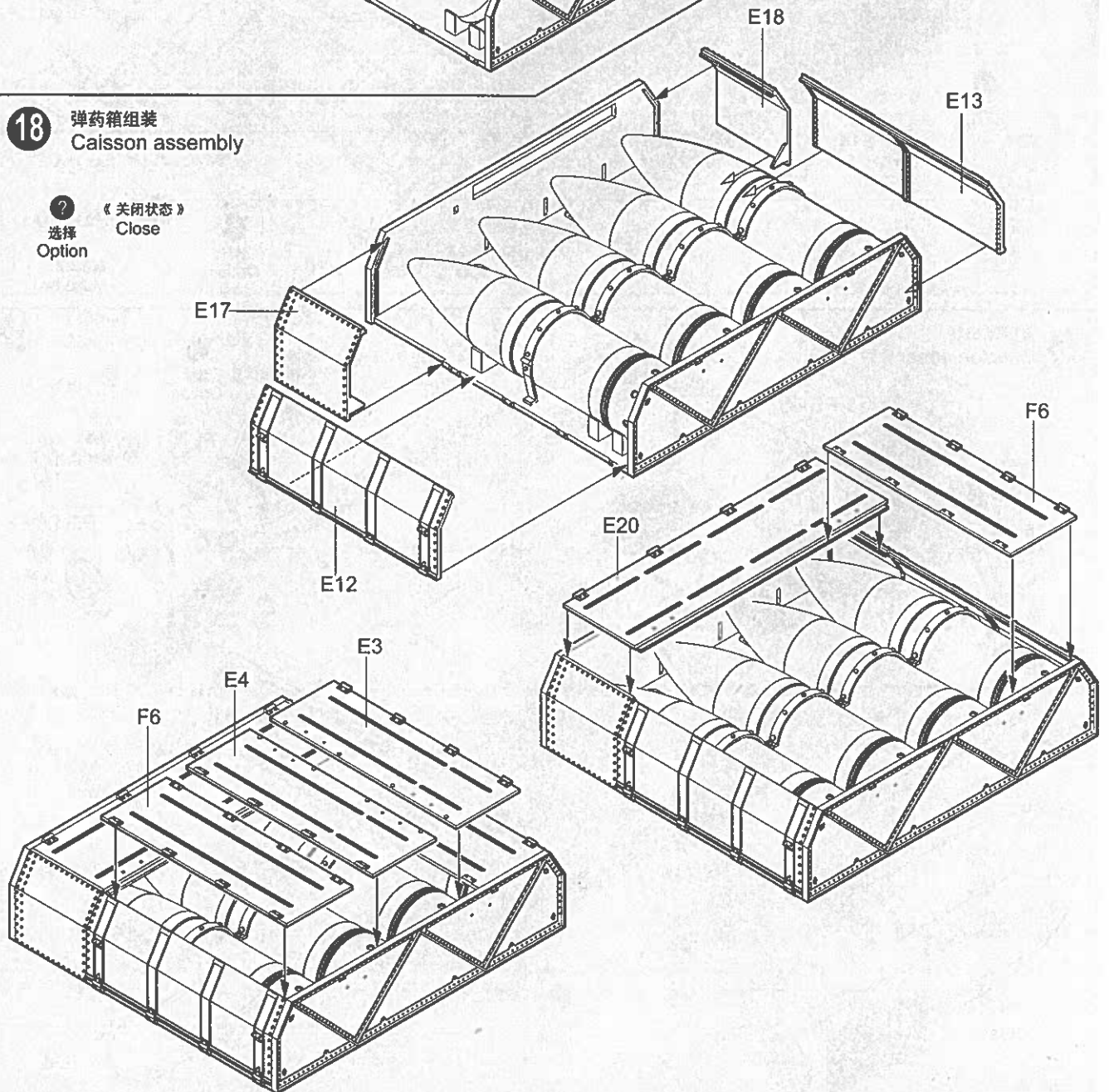


**17** 弹药箱组装  
Caisson assembly



**18** 弹药箱组装  
Caisson assembly

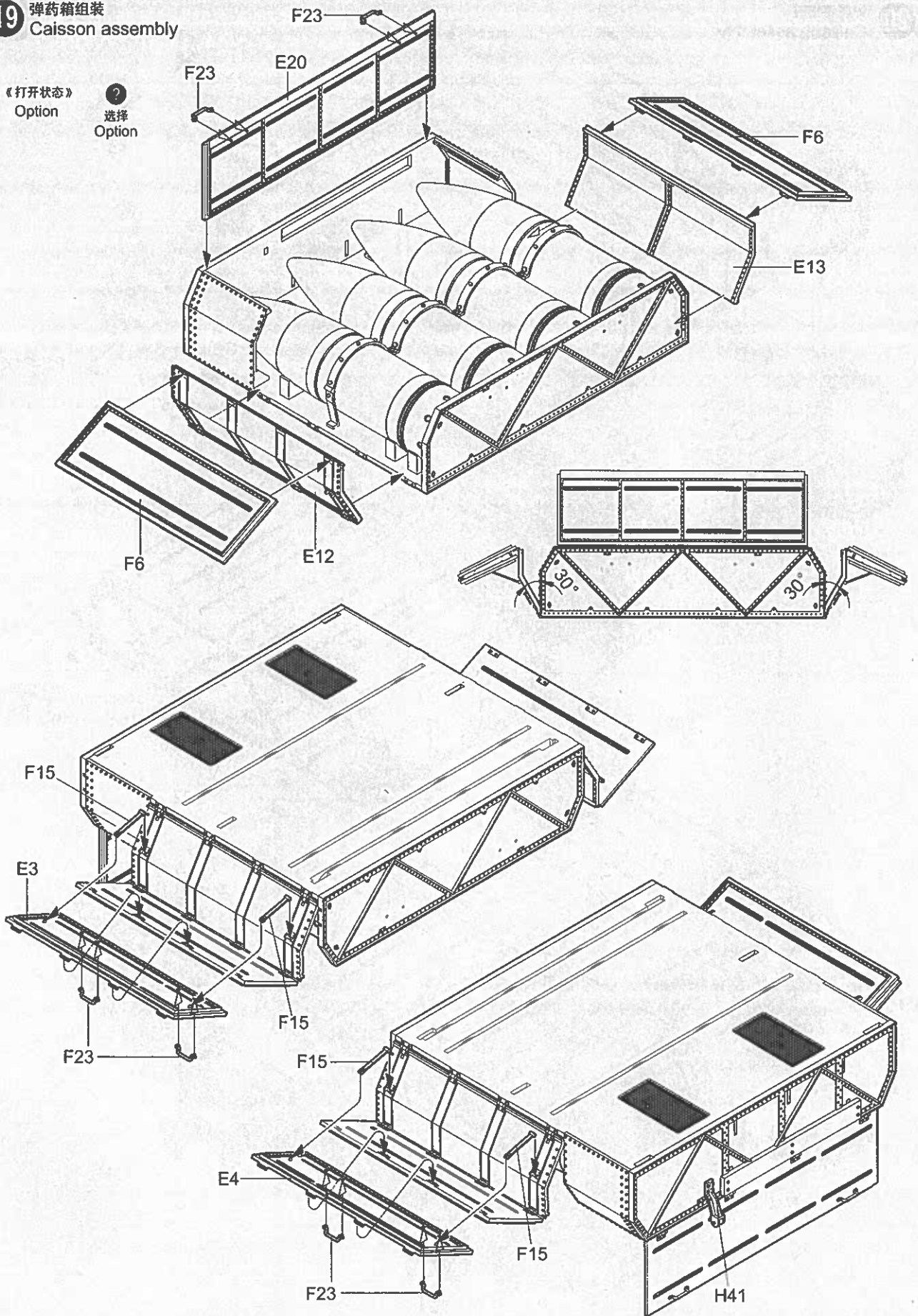
② 《关闭状态》  
选择 Close  
Option



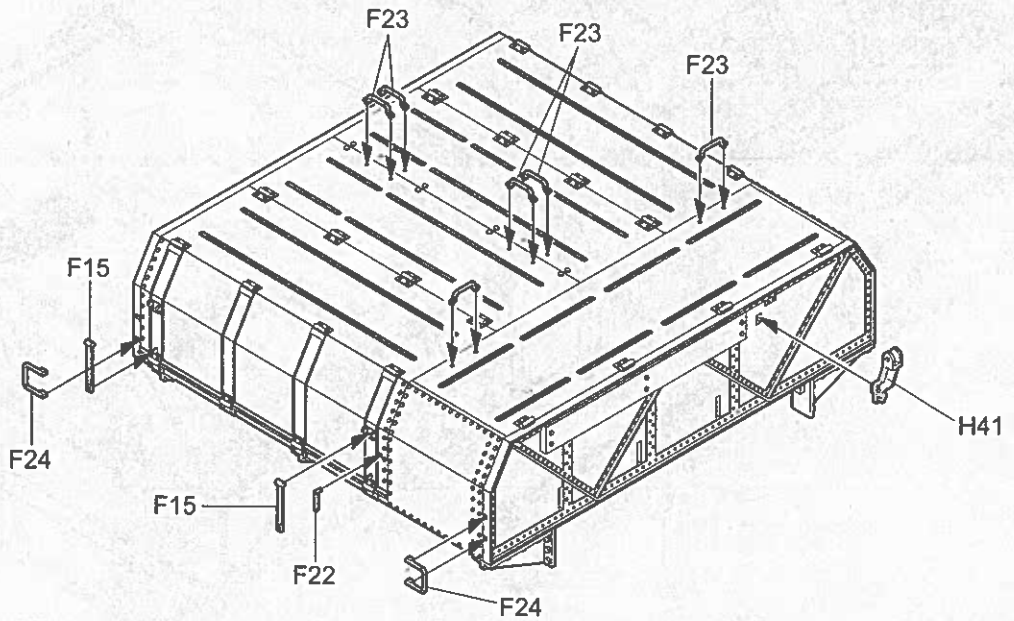
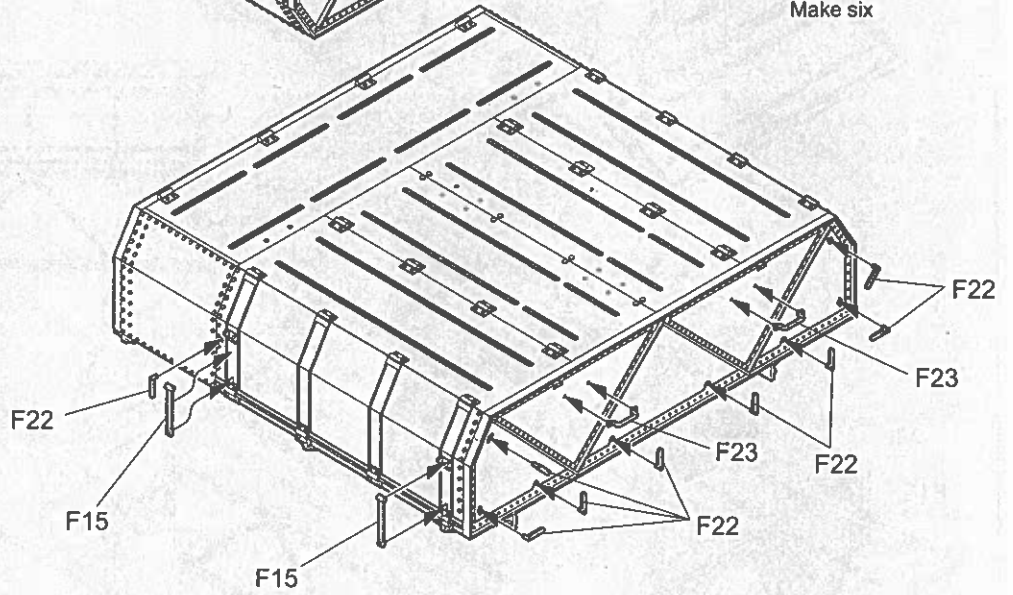
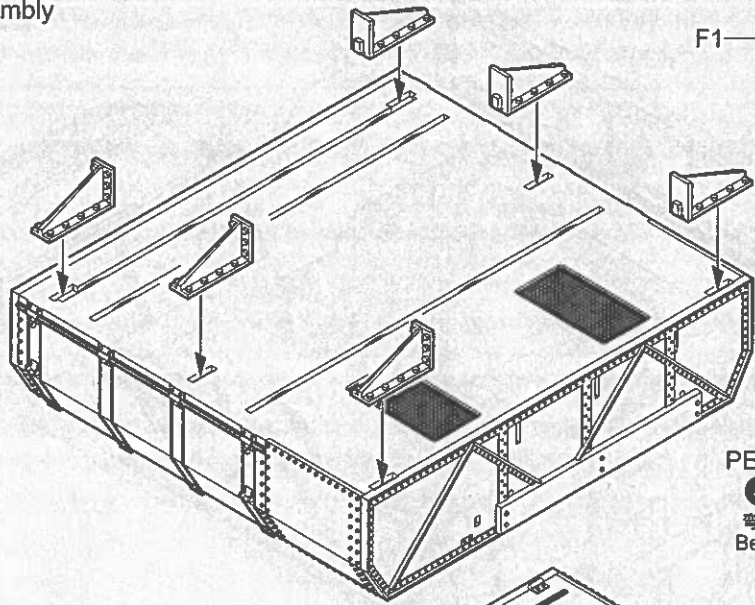
**19** 弹药箱组装  
Caisson assembly

《打开状态》  
Option

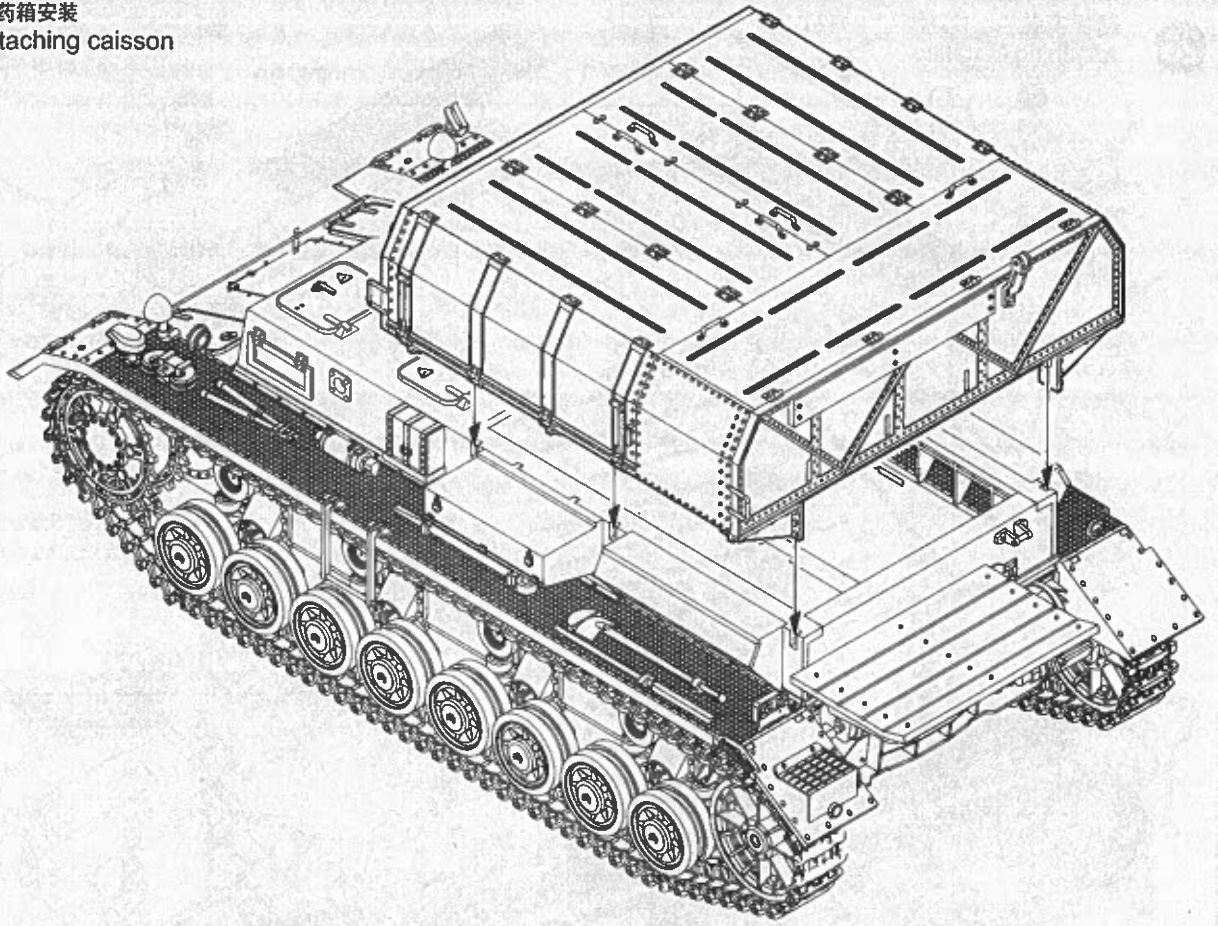
②  
选择  
Option



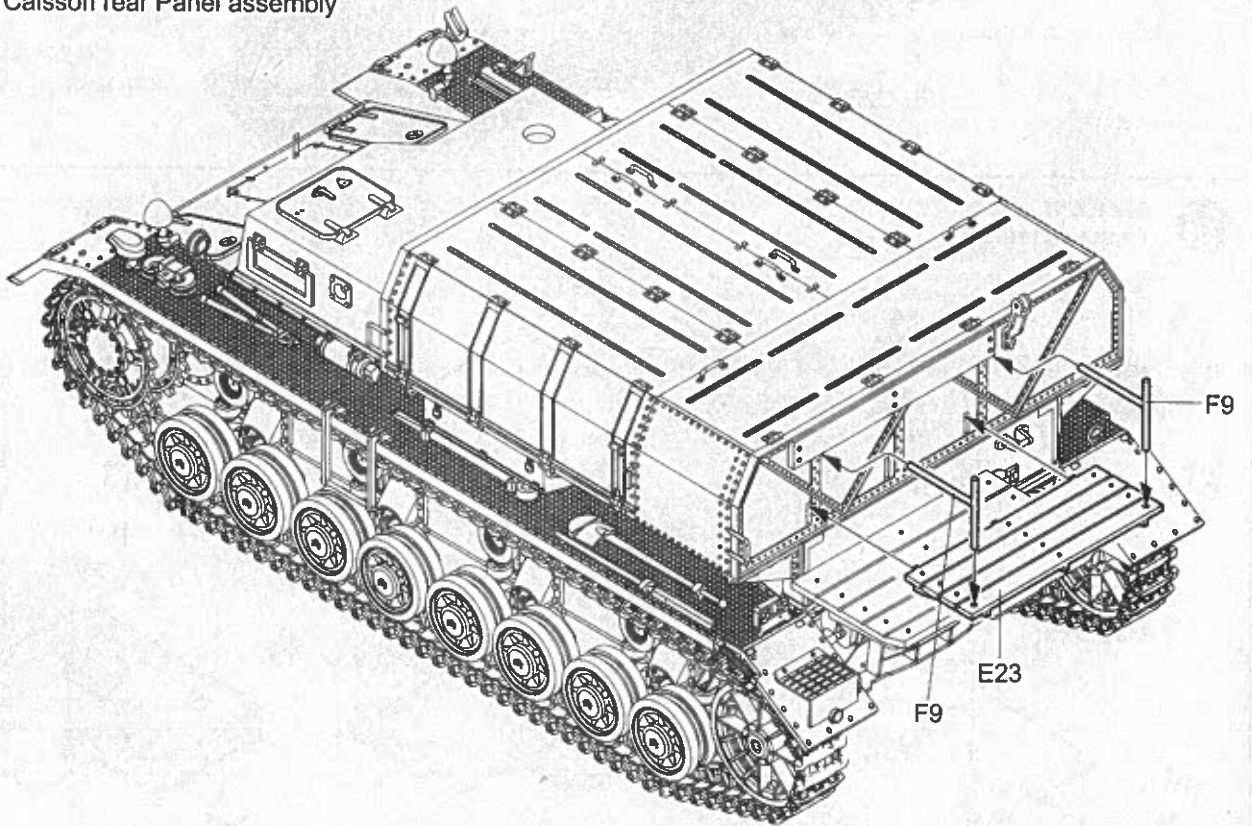
20 弹药箱组装  
Caisson assembly



21 弹药箱安装  
Attaching caisson



22 弹药箱后板组装  
Caisson rear Panel assembly



23

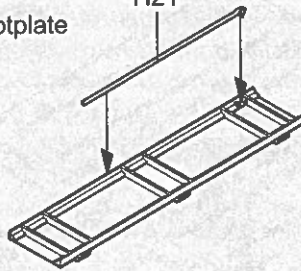
踏板安装  
Attaching footplate

选择  
Option

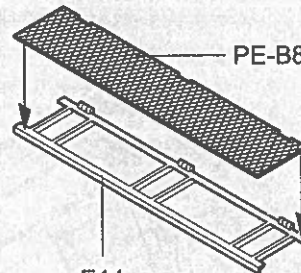
《关闭状态》  
Close

《B-B》

H21

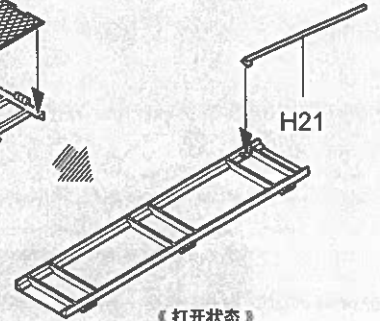


PE-B8

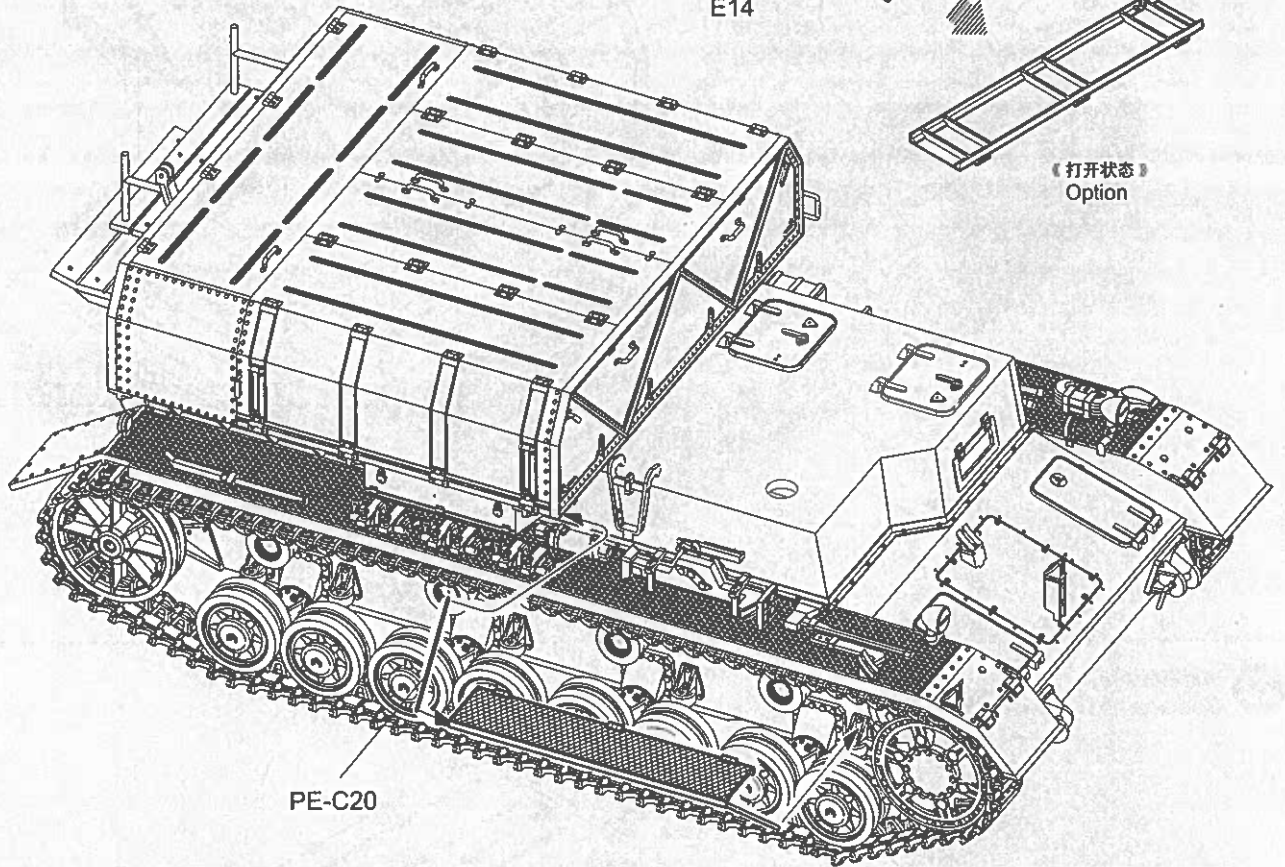


E14

H21



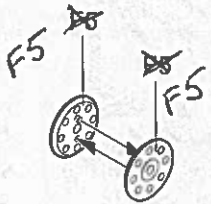
《打开状态》  
Option



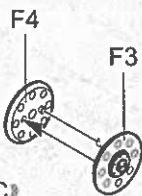
PE-C20

24

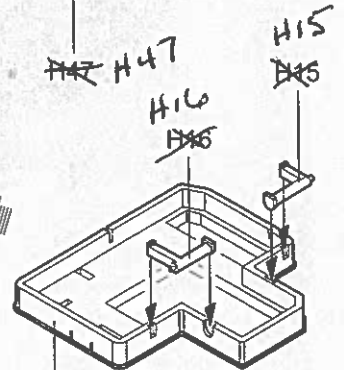
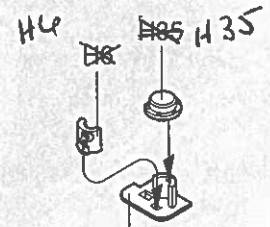
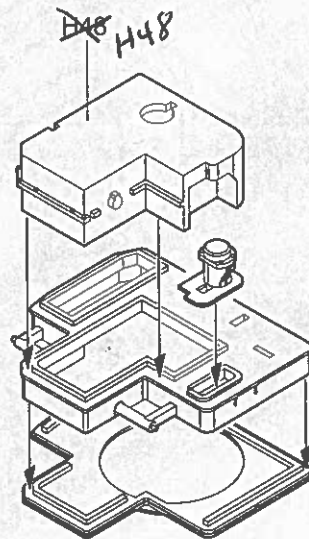
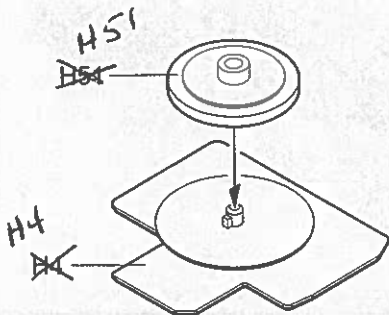
起重机组装  
Crane assembly



《D-D》

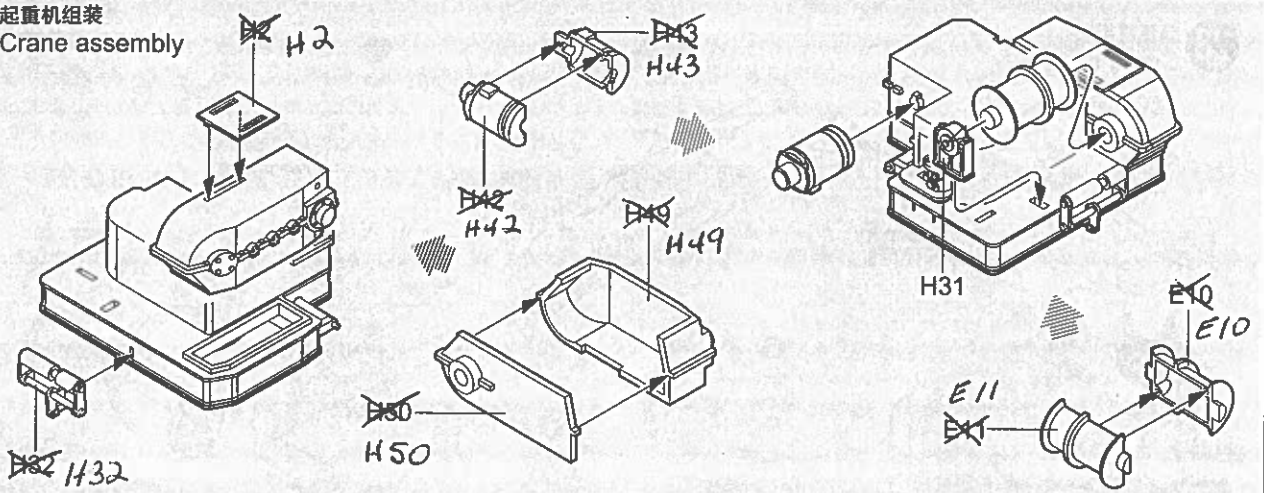


《C-C》

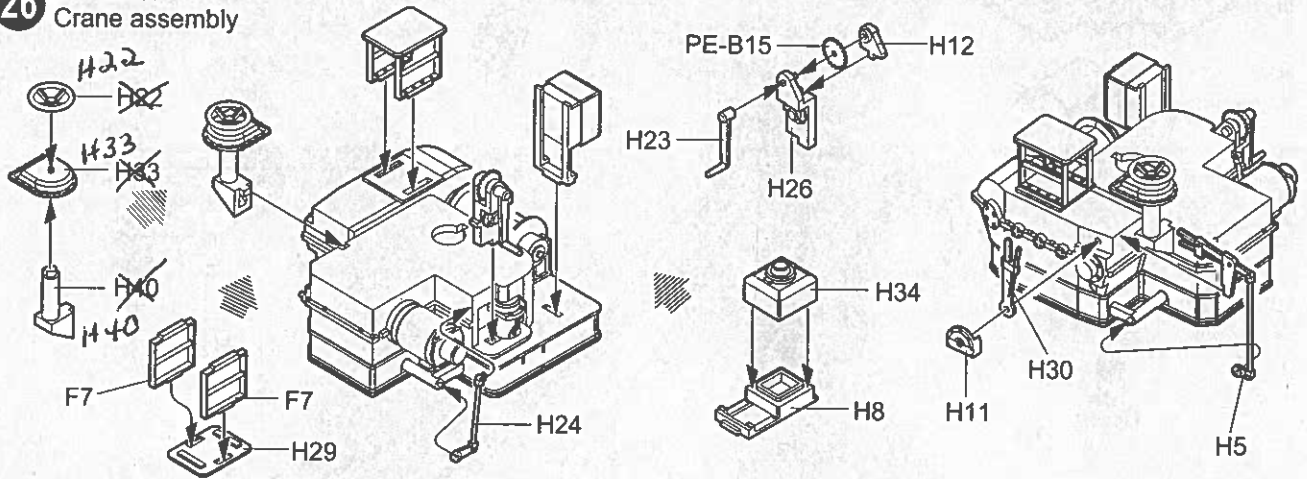




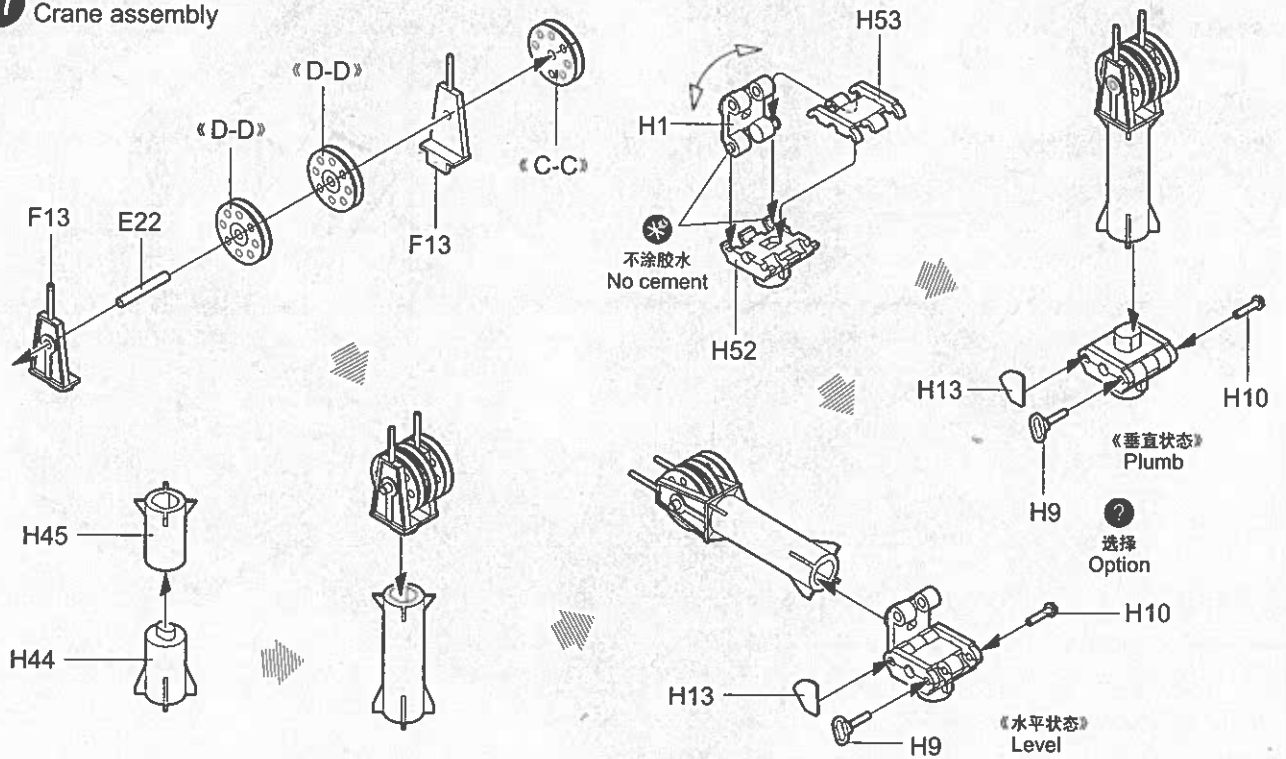
**25** 起重机组装  
Crane assembly



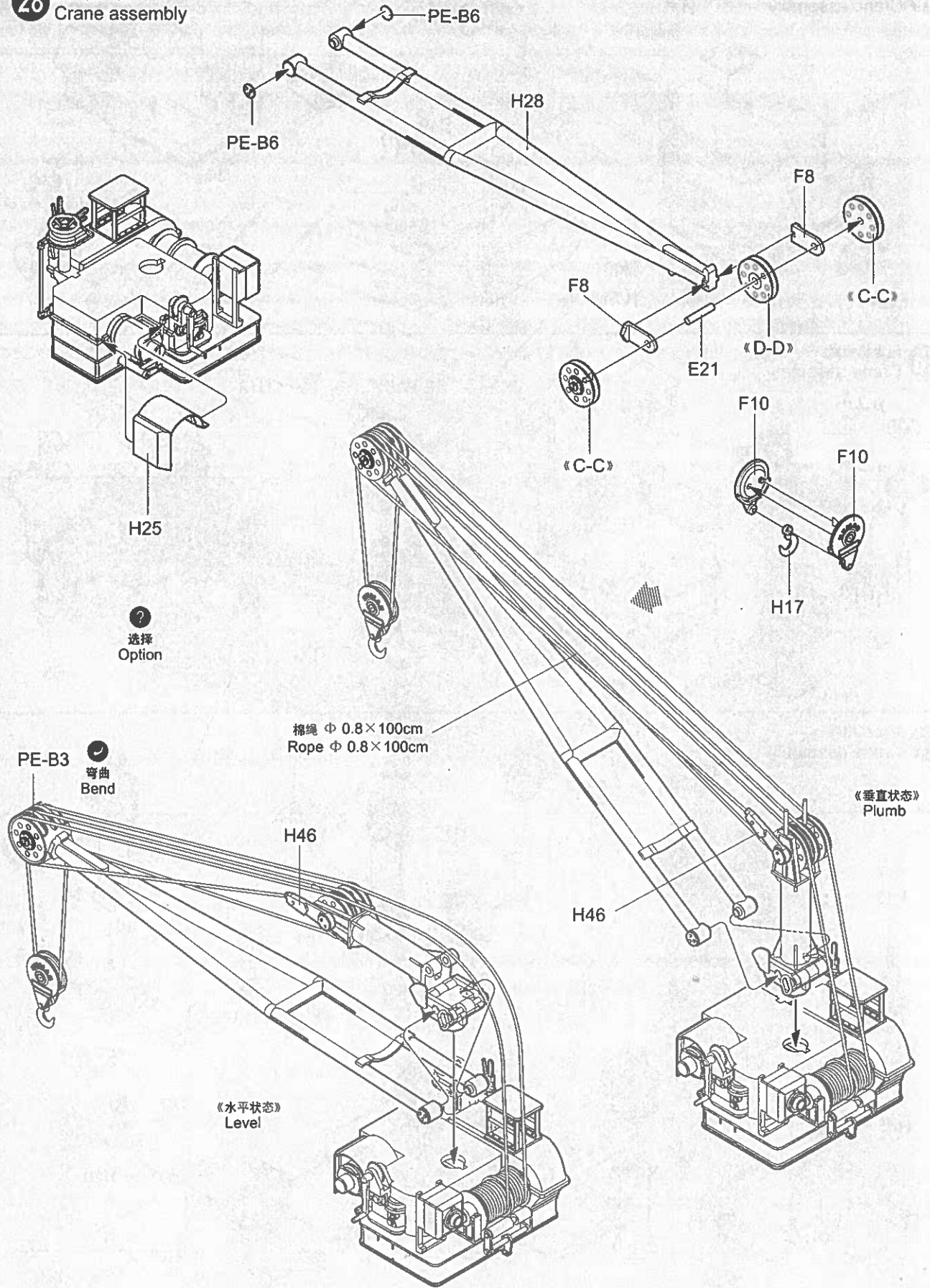
**26** 起重机组装  
Crane assembly



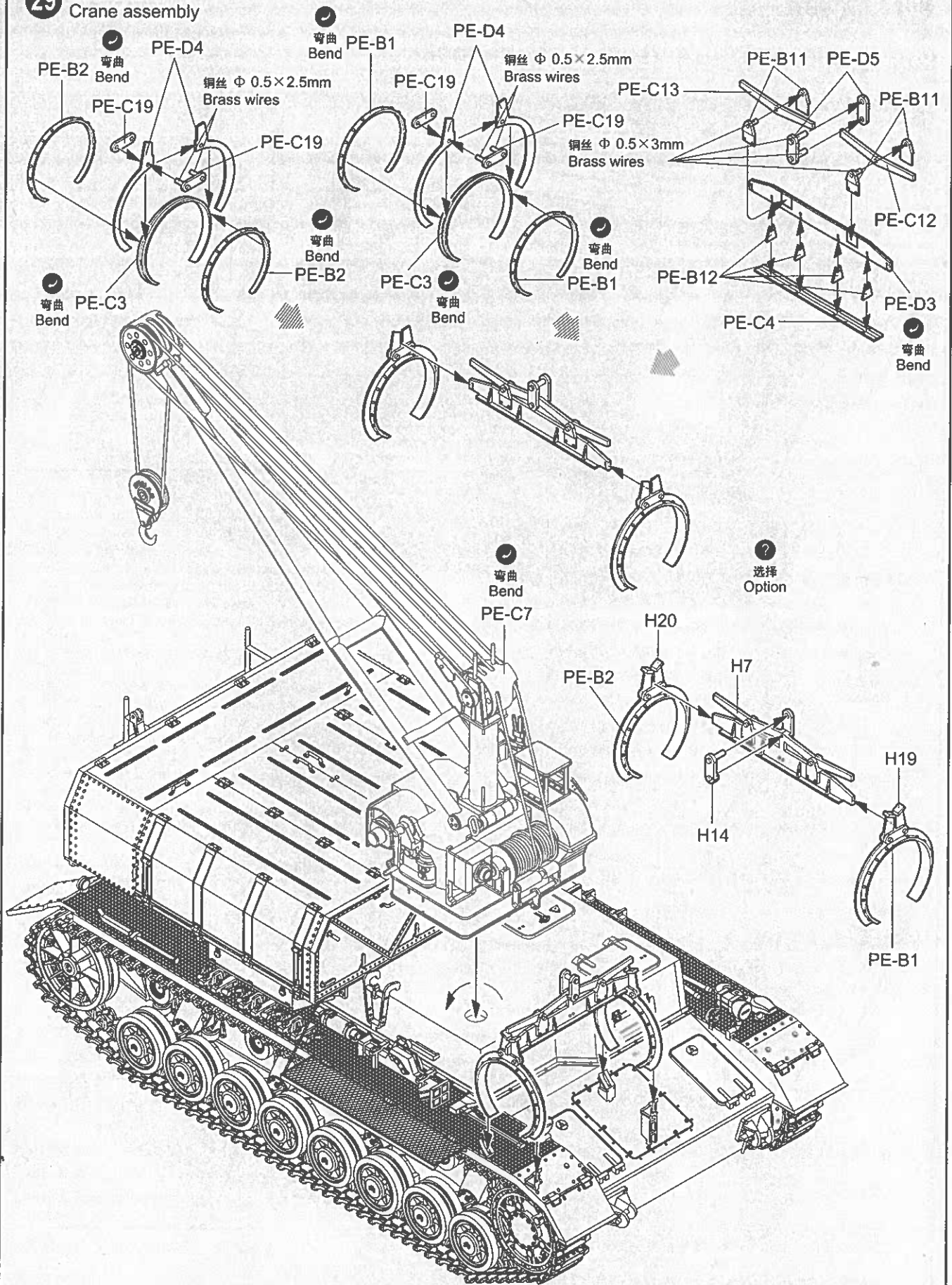
**27** 起重机组装  
Crane assembly



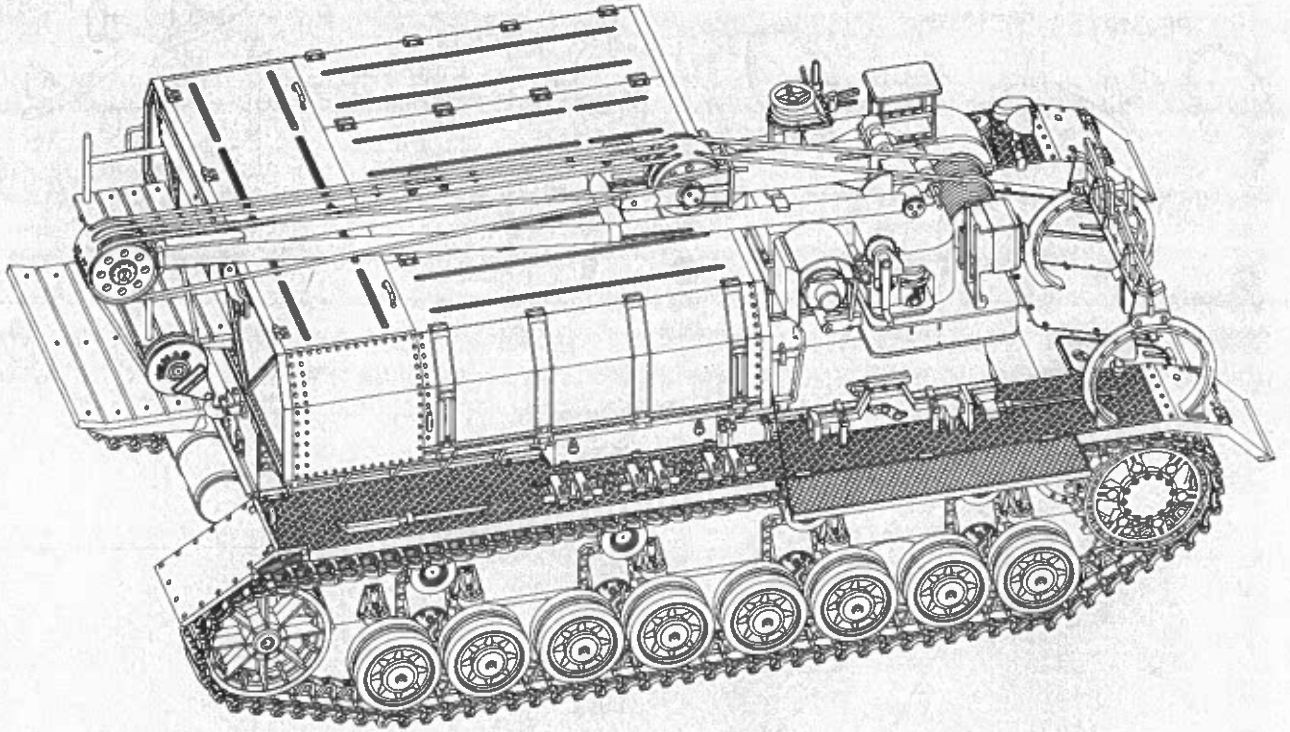
28 起重机组装  
Crane assembly



29 起重机组装  
Crane assembly



30 完成状态展示  
Achieving exposition



2  
选择  
Option

