

ITEM NO.01104

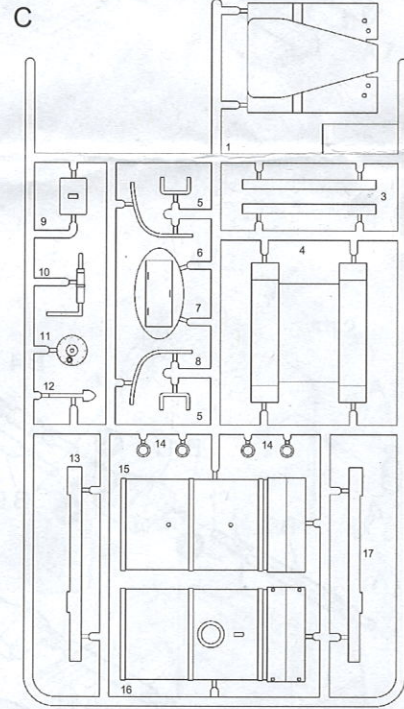
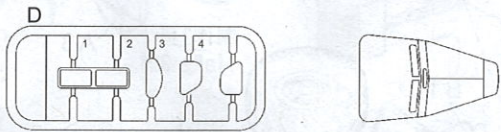
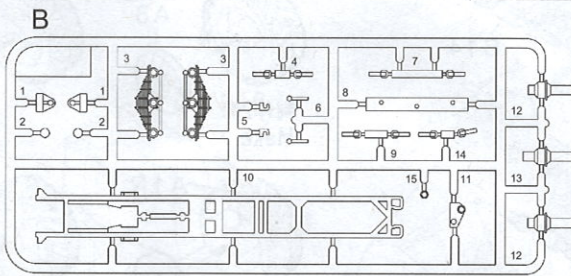
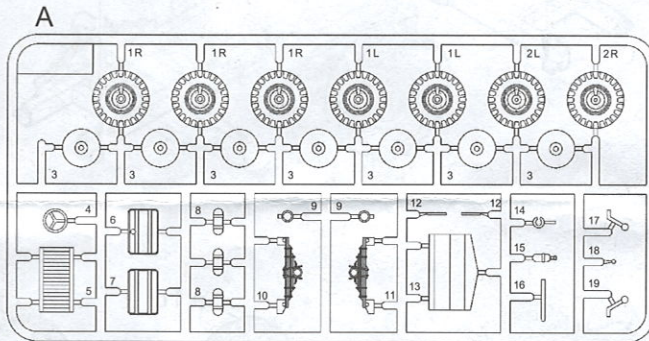
1/72 SCALE

解放油罐车

JIE FANG CA-30 Fuel truck



部品图
Parts



H[8]-X11 银色 Silver



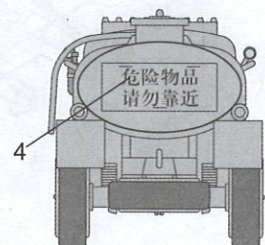
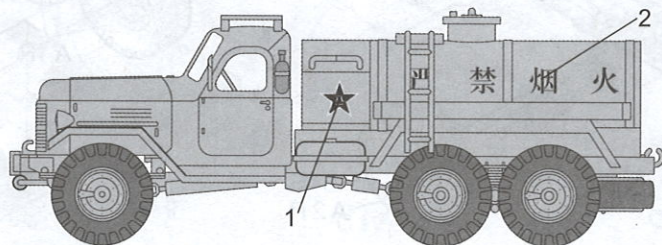
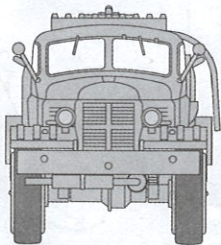
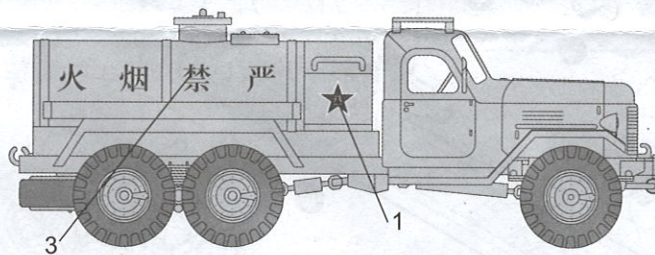
H[304]-橄榄 FS34087
Olive drab FS34087



H[13]-XF7 红色(哑光)Flat red



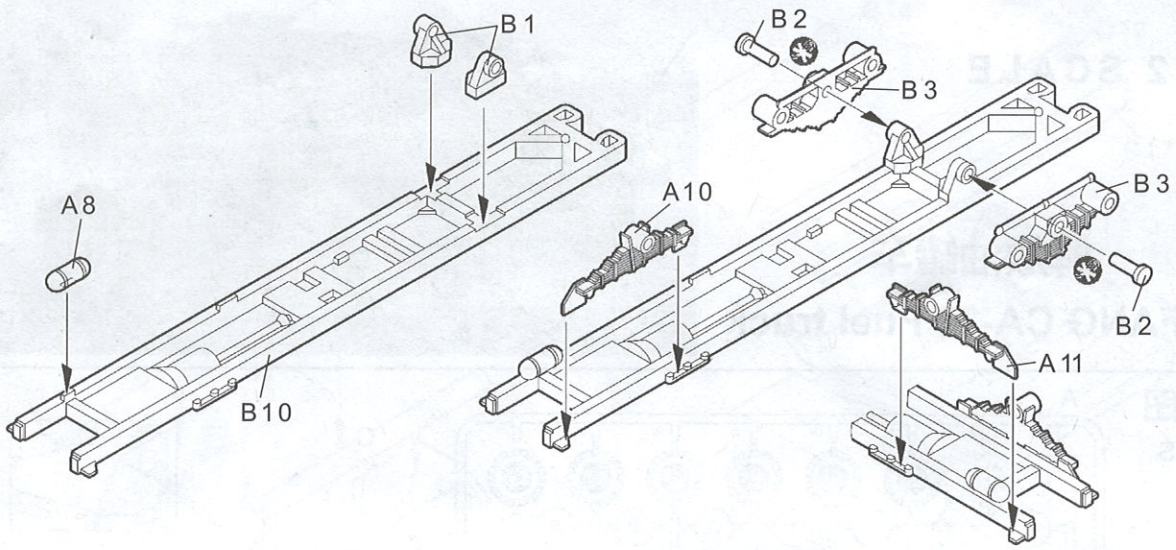
H[7]-胎黑色 Tire black



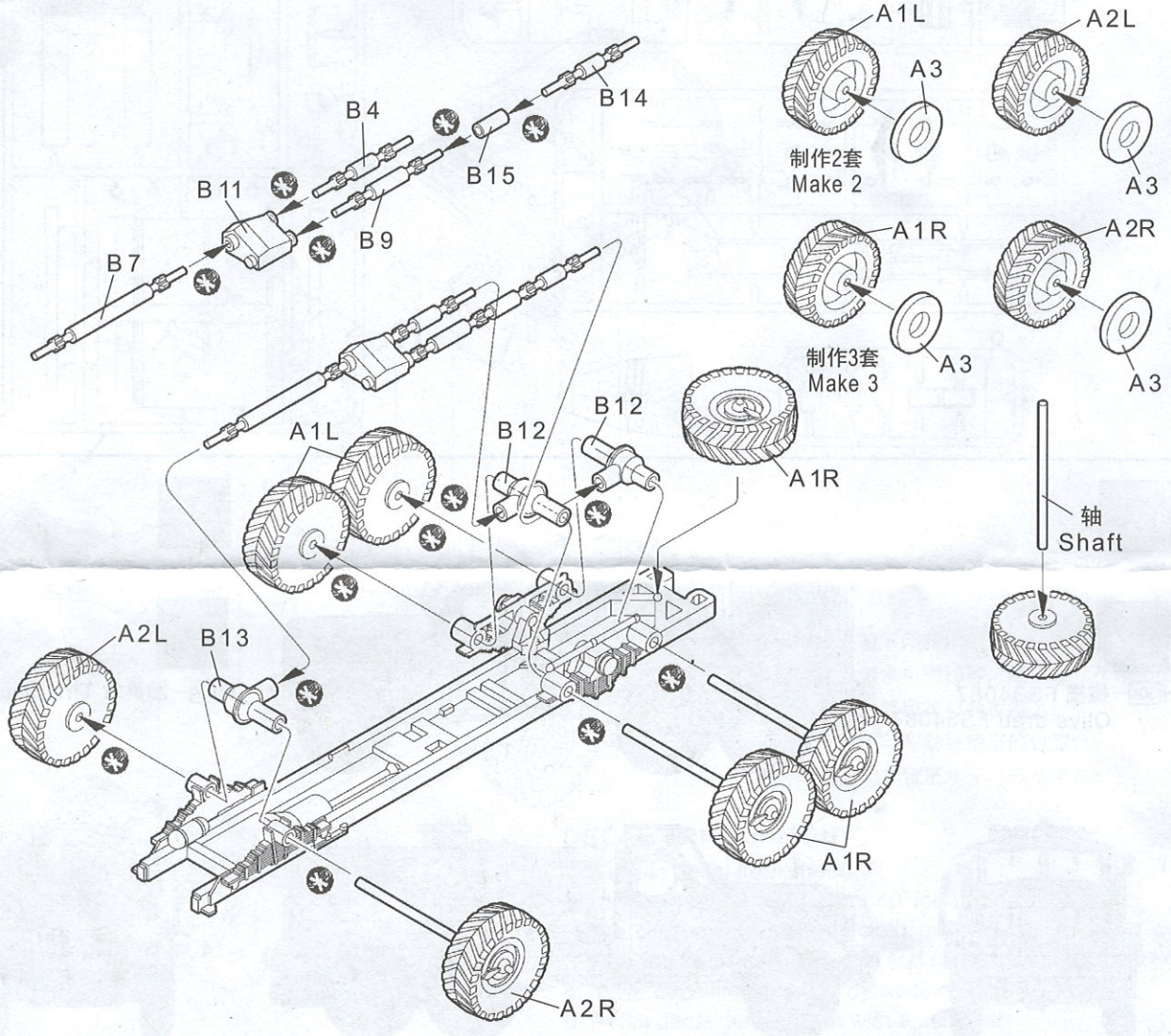
01104

1

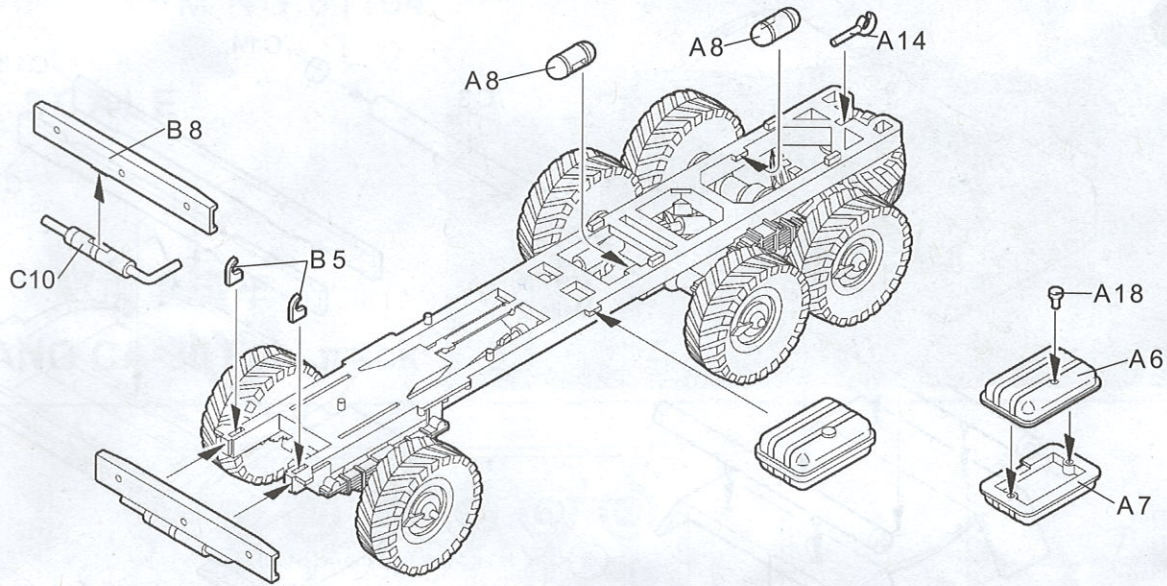
1



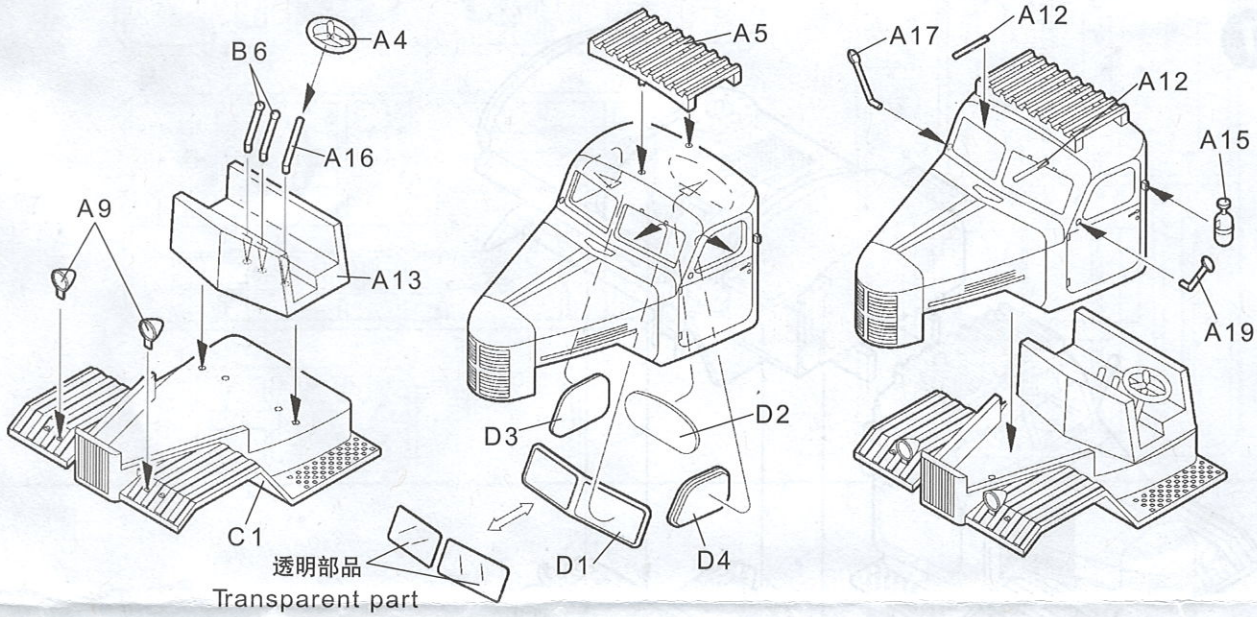
2



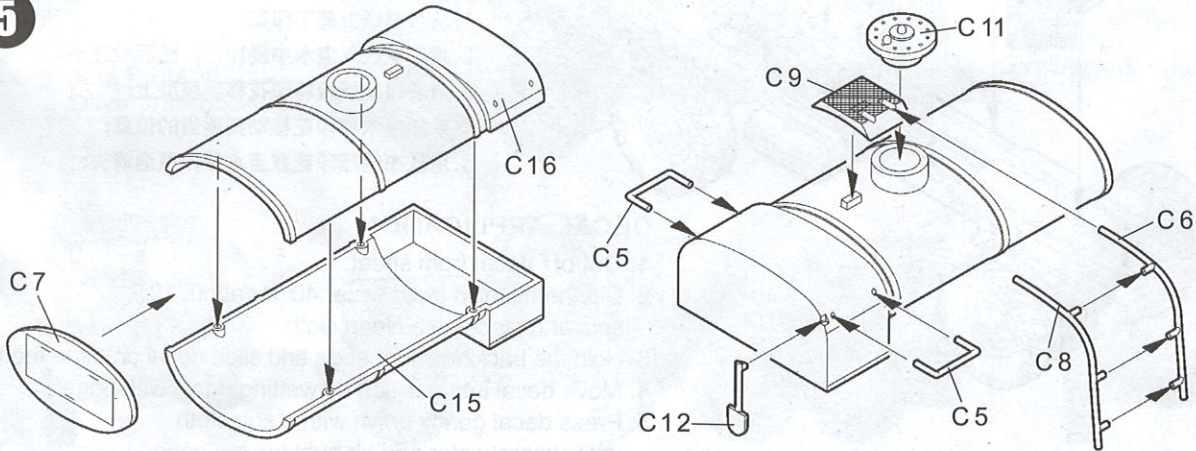
3



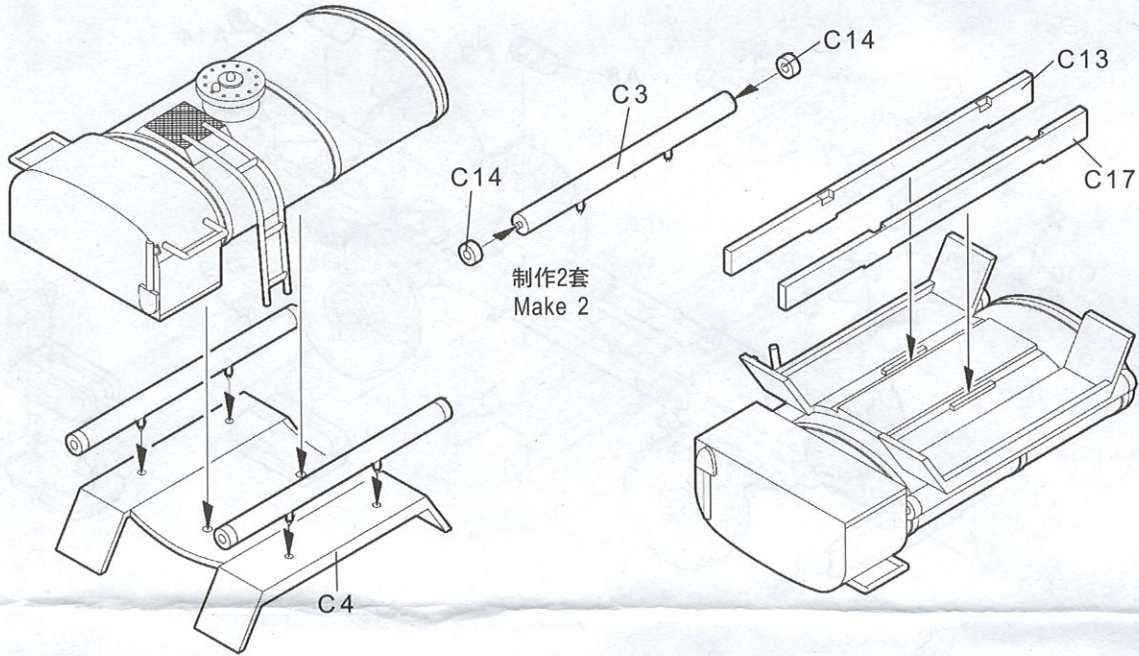
4



5

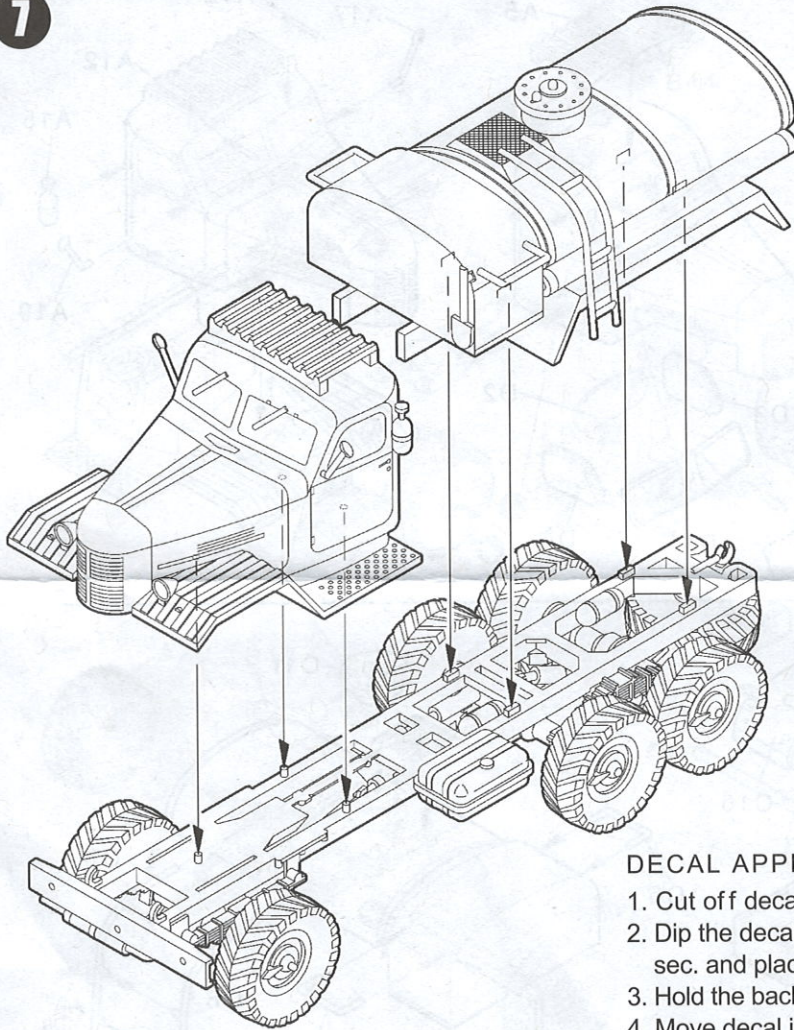


6



制作2套
Make 2

7



水贴纸的使用:

1. 从水贴上剪下印花;
2. 将印花放入温水中浸10秒, 然后放在干净布上。
3. 拿着印花纸板将印花移到模型上;
4. 手指蘸水将印花移动到适当的位置;
5. 用软布轻压印花直至水干, 气泡消失;

DECAL APPLICATION

1. Cut off decal from sheet.
2. Dip the decal in tepid water for about 10 sec. and place on a clean cloth.
3. Hold the backing sheet edge and slide decal onto the model
4. Move decal into position by wetting decal with finger.
5. Press decal gently down with a soft cloth until excess water and air bubbles are gone.