

ACADEMY
아카데미
MINICRAFT

PANZER IV H

1/35 Scale

One of the most important tanks used by Germany in World War II was the Panzerkampfwagen IV, (Also known as PzKpf IV, or Panzer IV.) The Panzer IV was proposed as the heavy support tank for the fourth company of the tank battalion. The first three battalions were equipped with the Panzer III. The new machine was actually classified as a medium tank, weighing in at about 17.5 tons.

The Panzer IV was originally developed in 1936, a design so sound and well conceived, it ultimately became the main tank of the German Panzer force. It remained in production until the end of the war, with some 8,500 units of various models delivered.

The Panzer IV was based on the Panzer III format, which consisted of an angular hull with a box-like turret. The Panzer IV's tracks rolled on eight road wheels and had four upper return rollers. This was a distinctive feature and led to

quick recognition of the Panzer IV series. The power from a huge V-12 Maybach engine was delivered to the wheels via a five-speed gearbox, later upgraded to six speeds. The engine was located in the rear of the hull with the drive shaft going to the forward wheels. During the tanks development, Germany's plans included the invasion of England, so a snorkel device was provided to allow for underwater missions.

The first production models were not well received by the troops, who complained about poor performance and inadequate armor protection. These complaints were addressed in the second, or Ausführung B version which was fitted with a more powerful 300 hp Maybach HL 120 TR engine, thicker armor and minor improvements.

The effectiveness and versatility of the Panzer IV was displayed during the Polish campaign

and it was soon accepted as the standard German combat tank. Initially, the Panzer IV was armed with a short-barreled 75mm cannon, but by the Ausf F model, this was replaced by a longer barrel version of the gun. This was due in part to the fact that the shorter gun was ineffective on the Russian T-34 tank unless the Soviet vehicle could be attacked from the rear.

The Panzer IV Ausf H model, depicted by this model, was introduced in April, of 1943. It carried a thicker armor (3.1 Inches), and a new transmission. It was also equipped with an anti-aircraft gun, 3,774 examples of this machine were constructed by July of 1944.

The Panzer IV series had a top speed of 25 mph with a range of about 125 miles. It was operated by a crew of five.

Refer to box top for additional decal and painting information.

Copyright 1987 Minicraft Models, Inc.



Cement Parts
Coller
Kleben
Pegar
Incollare
Colar
Kleven



DO NOT cement
Ne pas coller
Nicht kleben
No pegar
Non incollare
Nao colar
Niet kleven



Cut away
Couper
Scheiden
Cortar
Tagliare
Cortar
Snijden

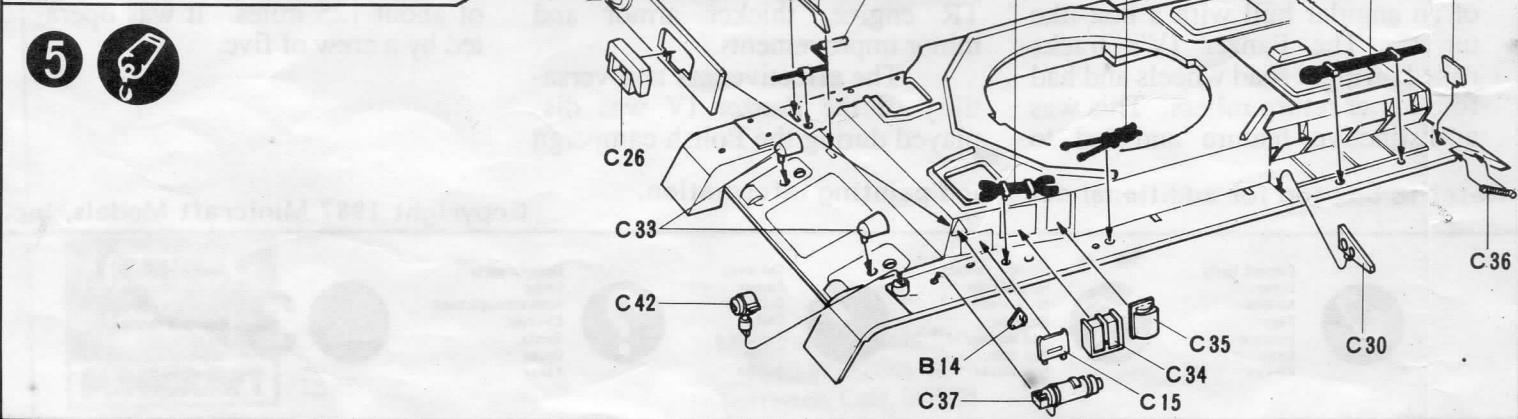
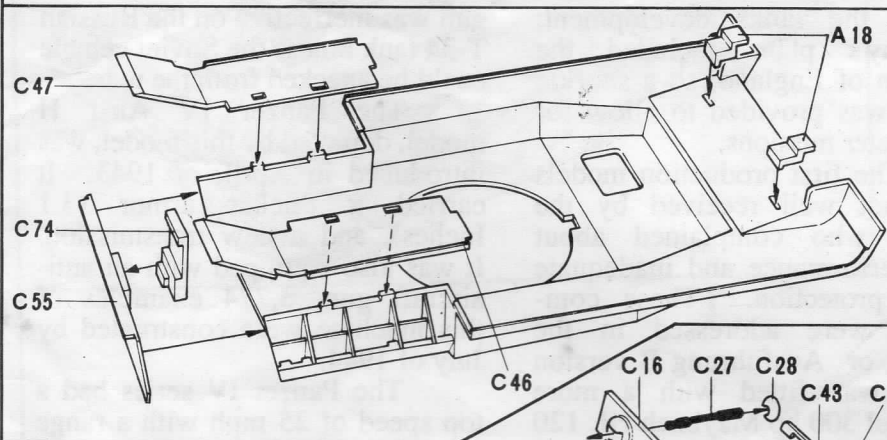
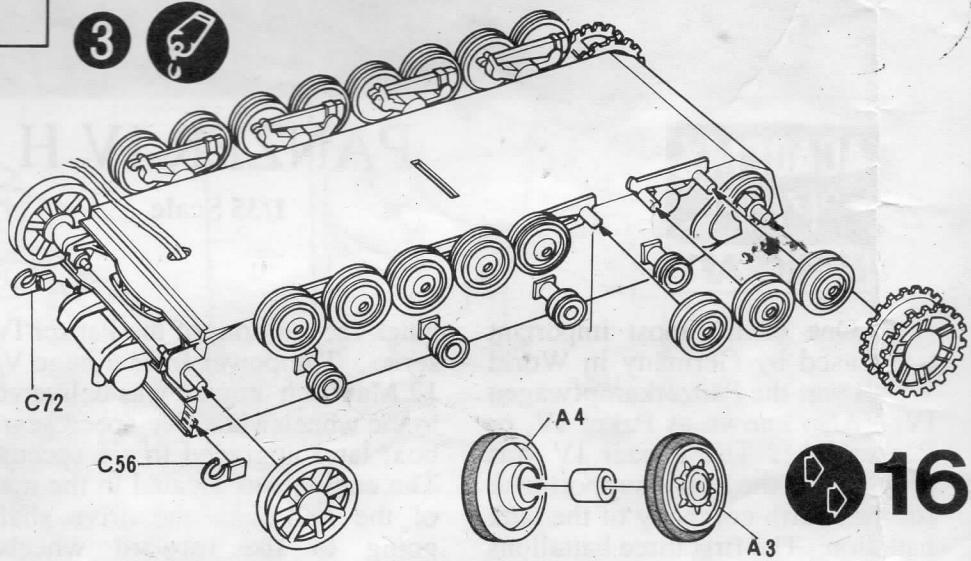
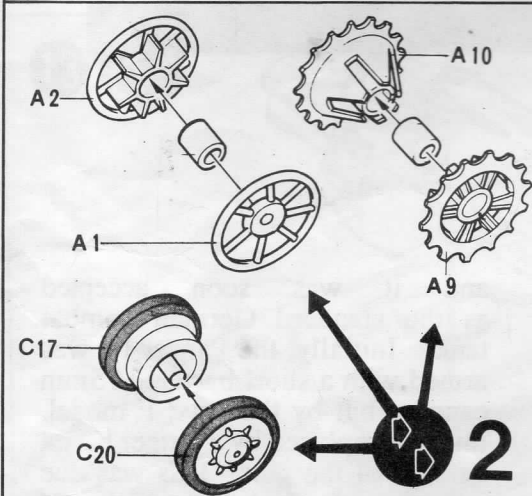
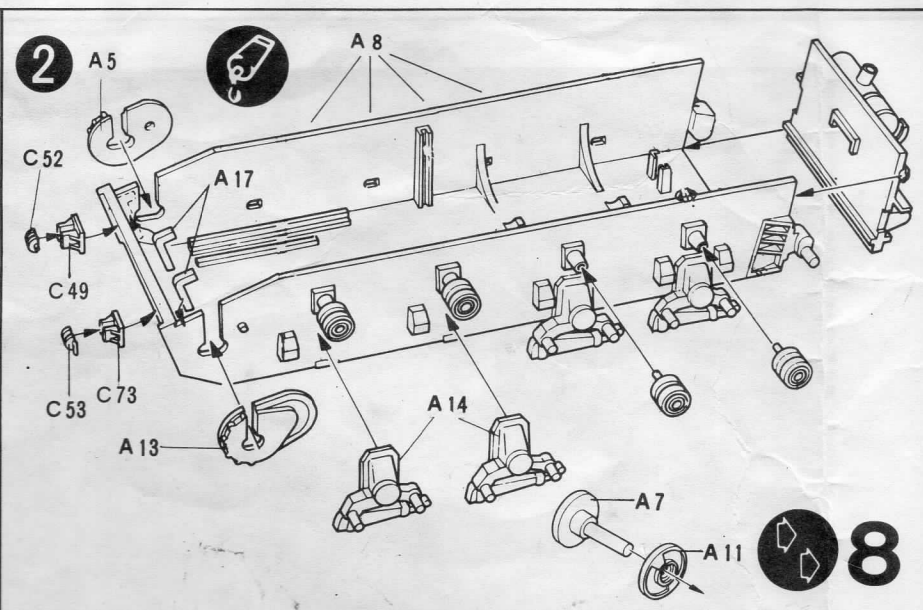
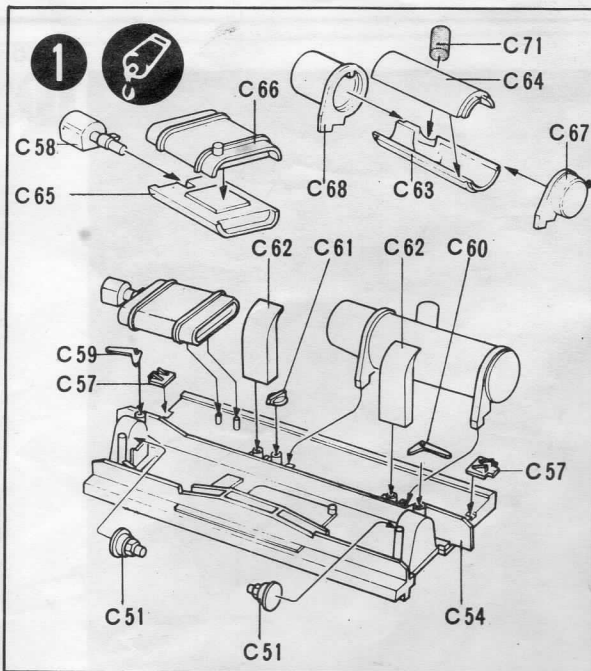


Optional parts
Choix
Auswahlmöglichkeit
Eleccion
Scelta
Opcao
Keuze

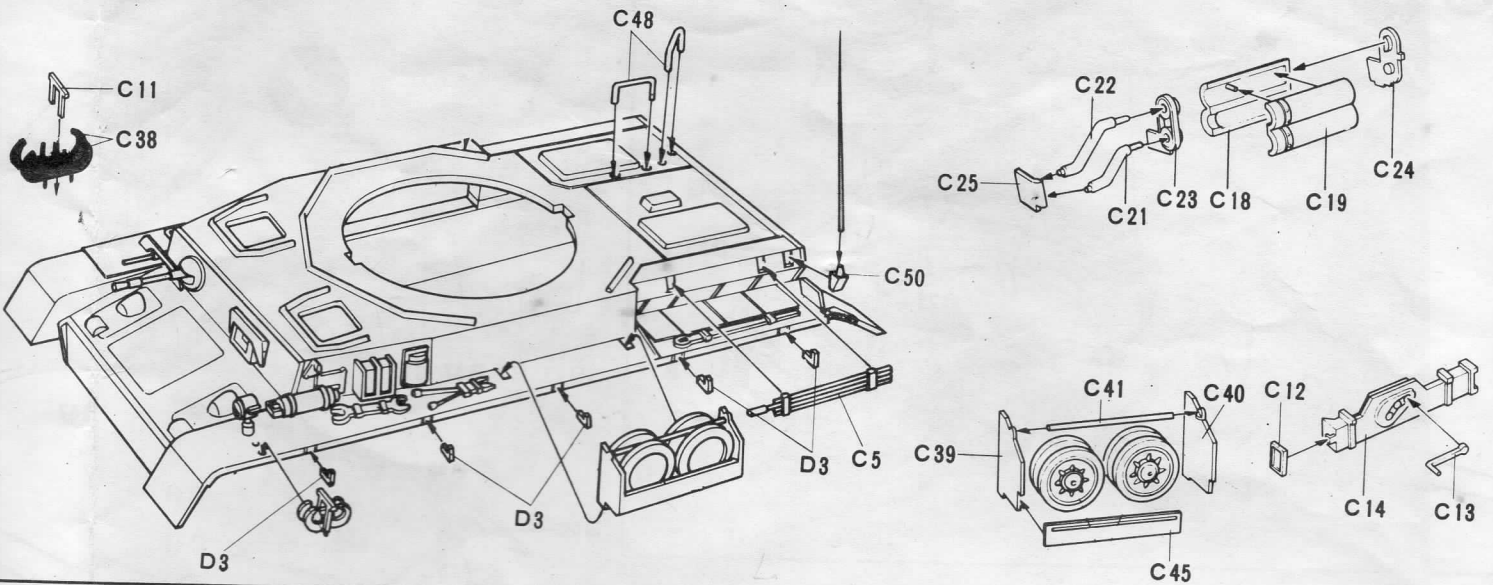


3

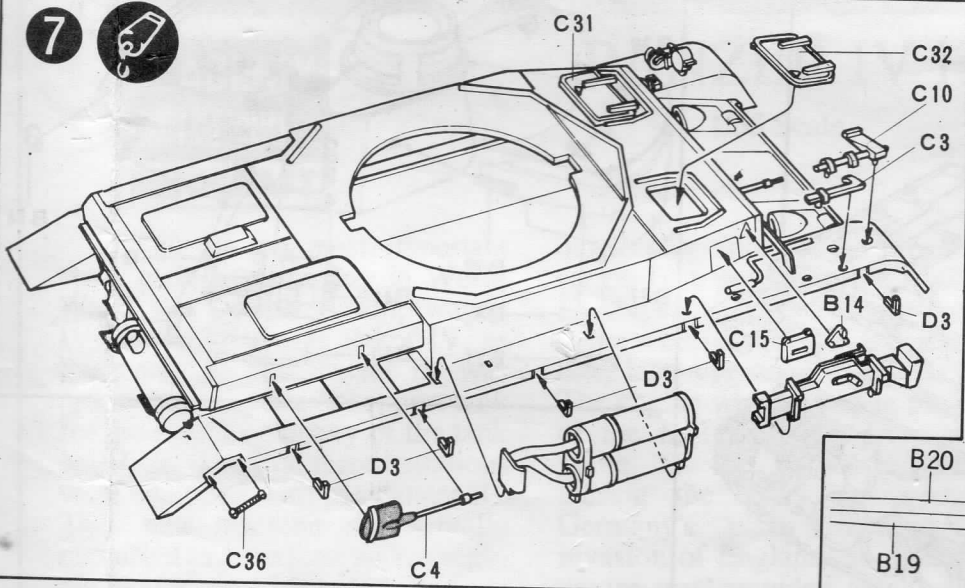
Repeat operation
Répéter l'opération
Vorgang wiederholen
Repitir la operacion
Ripetere
Repitir a operação
Herhalen



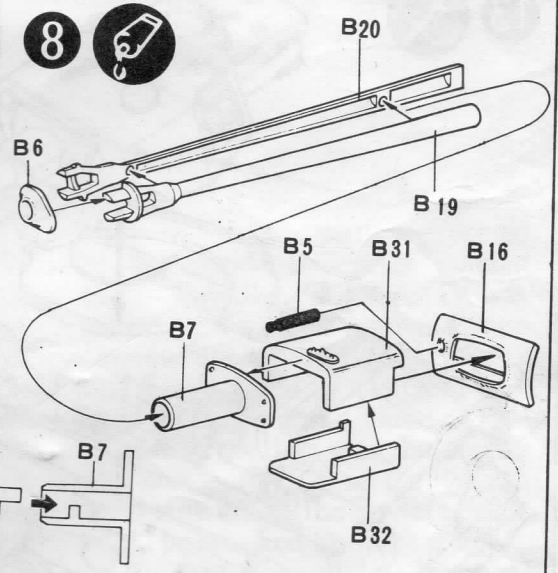
6



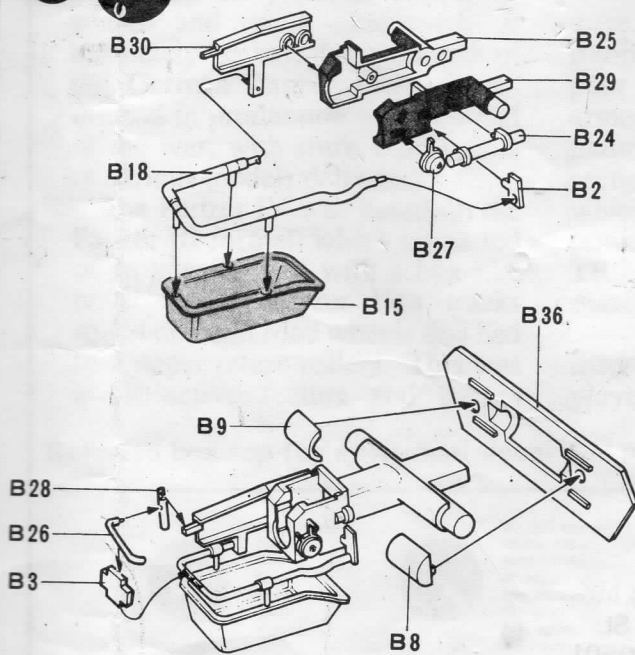
7



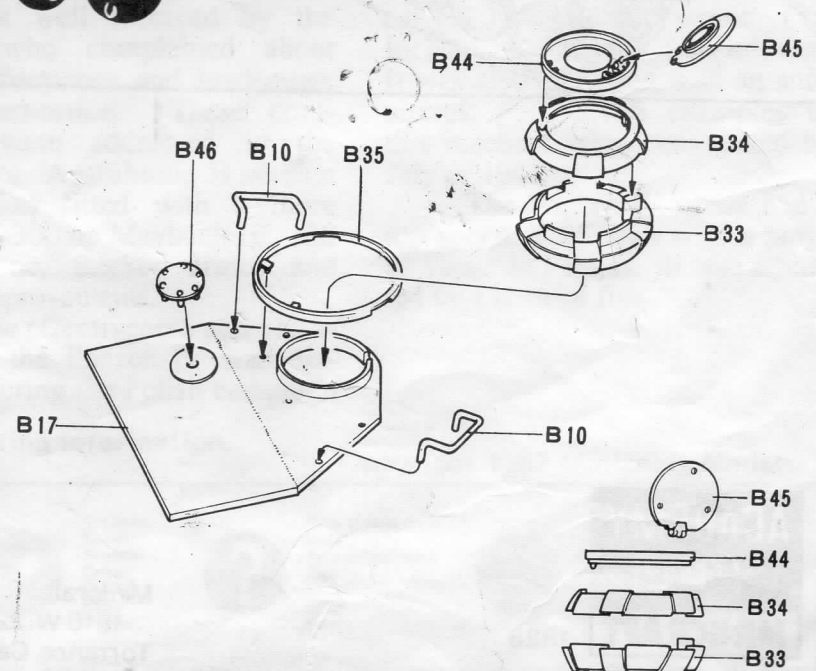
8



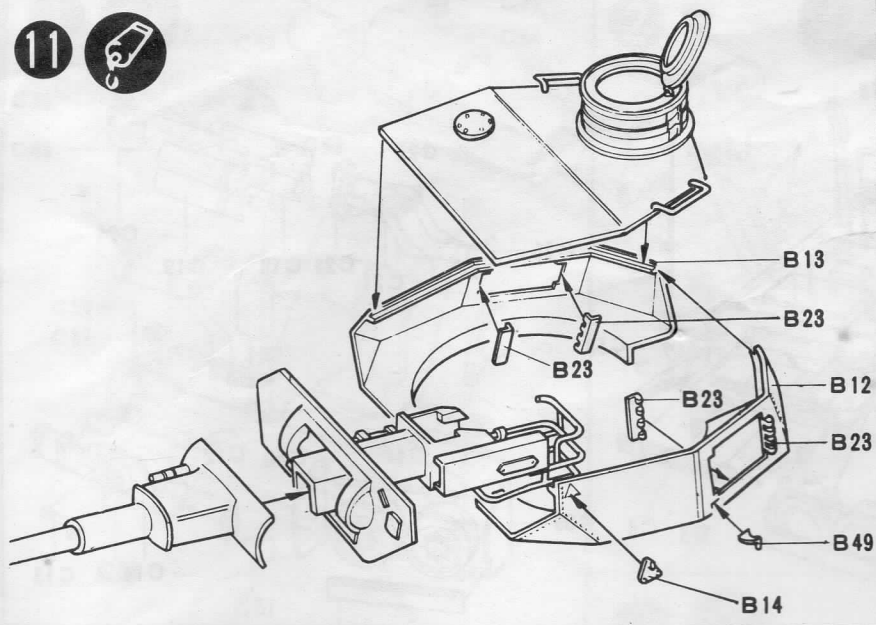
9



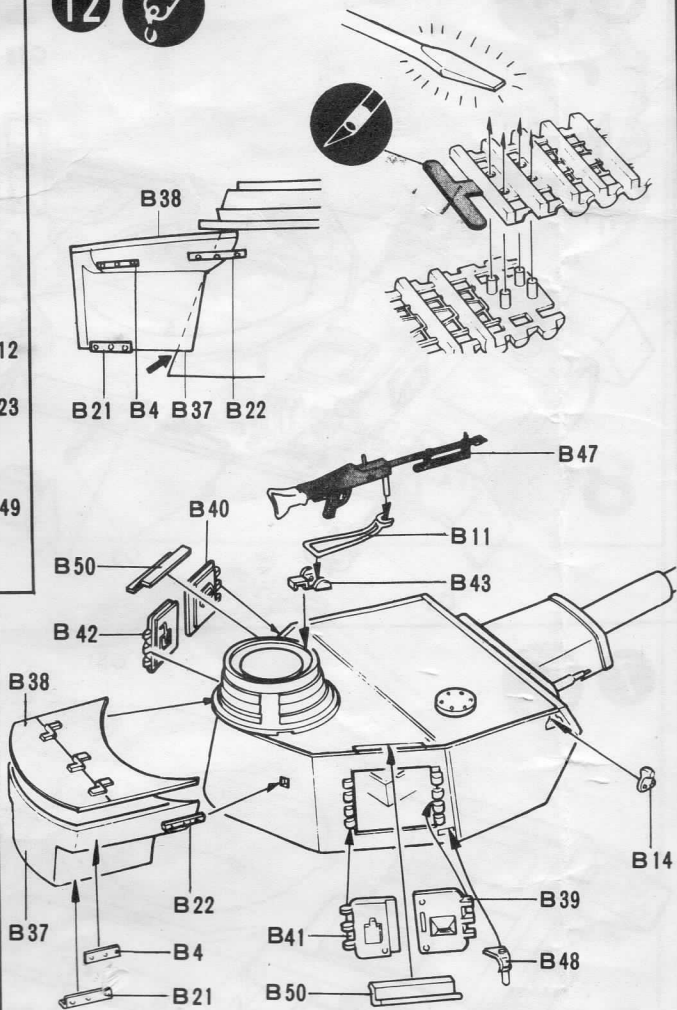
10



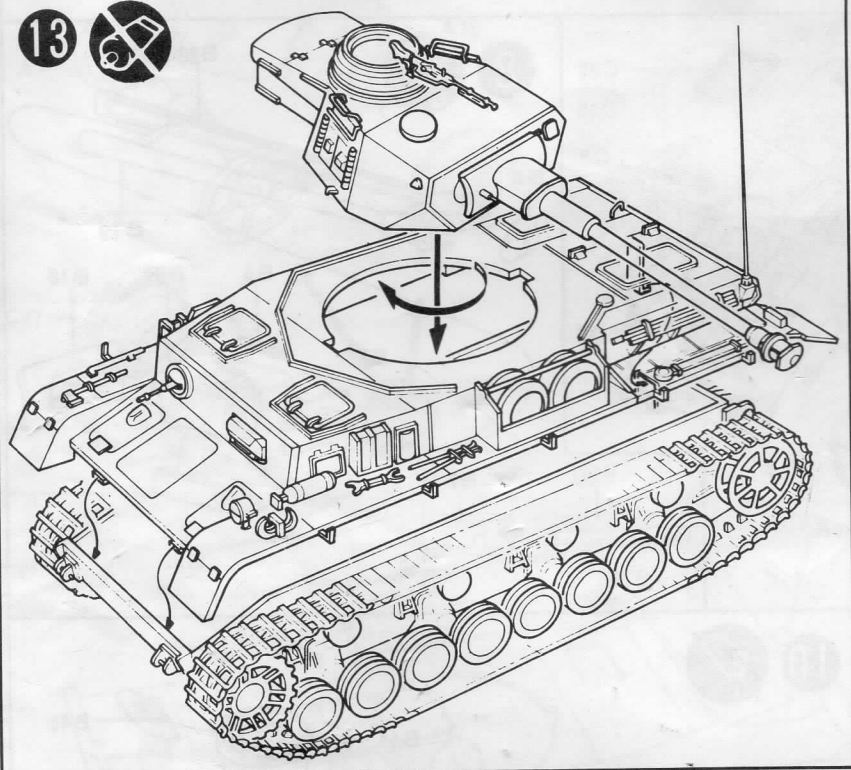
11 



12 



13 



ACADEMY
아카데미
MINICRAFT

1328

Minicraft Models, Inc.
1510 W. 228th St.
Torrance, Calif. 90501