

US B-24J Liberator

B-24J リベレーター 美国B-24J“解放者”轰炸机

PLEASE READ BEFORE OPERATION!

* Tools recommended as below: (Not included)

Adhesives; Paints; Side Cutters; Sharp Edged Pliers; Modeling Knife; Modeling File; Nippers; Drill; Scissors; Sand Paper; Soft Cloth; Cyanoacrylate Glue.

* Make sure to read this instruction listed below before assembling.

* The kit contains the small parts, they can be dangerous if swallowed by mistake, so keep them away from reach of children.

* Cut the all parts off carefully and remove the waste parts into the garbage can.

* More caution and care should be needed for cutting and handling the photo etched parts.

* Make attention that some parts should be attached the decal when assembled.

* During assembling, please tear up and throw away the plastic bags, or may cause the dangerous if wearing over head by children's mistake.

* When using the adhesives and paints, please do not use them in the closed room or near the fire, also must be very careful to protect your eyes, face and clothes.

* Adult supervised when assembled by children under 14 years old.

* 说明书中含有重要信息，应保留。 Please Keep instruction since it contains important information.

装配前请仔细阅读：

* 推荐使用的模型工具(请自备)：

专用模型胶水，专用模型油漆，水口剪刀，长咀钳，刀片，锉刀，镊子钳，钻，剪刀，软布，砂纸，瞬间快干胶等。

* 用水口剪刀或刀片小心切下所有塑胶零件和蚀刻片零件，不要遗失小零件。

* 切取蚀刻片时应特别注意防止利边划伤手指。

* 用模型锉刀小心锉平所有零件表面的注射浇口。

* 用适量的强力快干胶水粘合蚀刻片零件和金属轴，切忌过量，否则可能导致可动零件被粘住。

* 注意某些零件表面需在装配时同步贴上水贴纸。

* 制作时应远离幼儿并将包装袋及时收妥，谨防小孩玩耍而引起意外。

The method to apply the decals

1. Cut off the decal from the decal paper and put it into the warm water 40℃ for 10 seconds.
2. Take the decal from the water and put it on a piece of clean cloth.
3. Remove the decal slowly from the paper to the targeted location by a wet finger.
4. Use a piece of dry and soft cloth to press it gently on the decal until it getting dry and no bubble existing.

水贴纸的使用方法：

- 一. 把相关的印花从水贴上剪下，放入40℃左右的温水中浸10秒。
- 二. 然后将印花放在干净的布上。
- 三. 拿上印花纸板，手指蘸水将印花移到适当的位置。
- 四. 用软干布轻压印花直至水干，气泡消失。



强力胶

Cyanoacrylate glue



配重

Weight



钻孔

Make hole



切除

Cut/Remove



选择

Option



不涂胶水

No cement



贴纸

Decal



弯曲

Bend



填补

Repair



先装

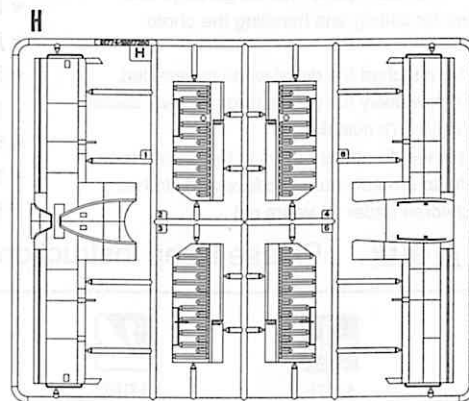
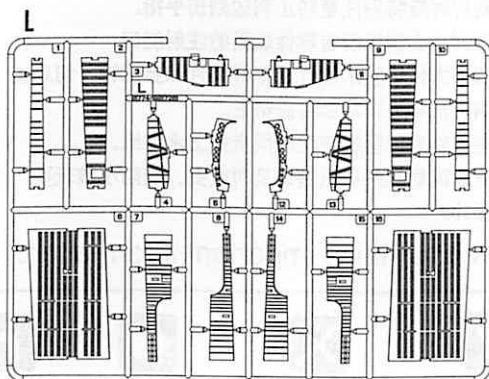
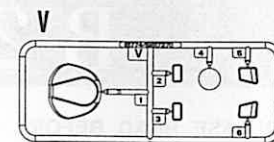
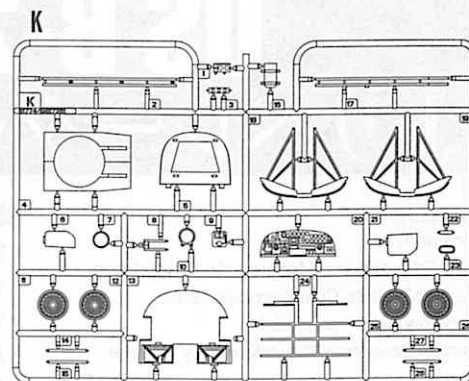
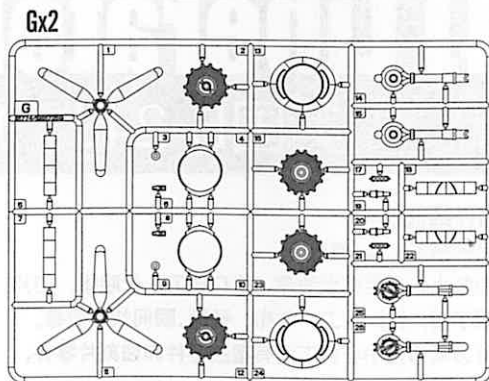
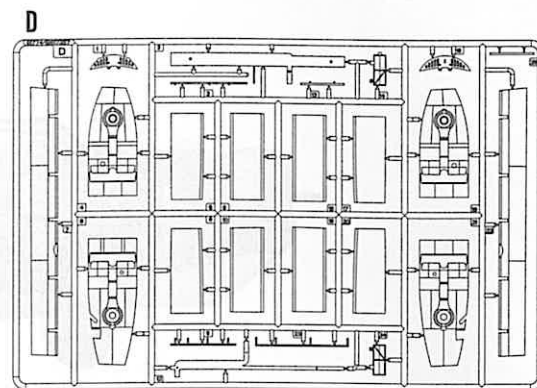
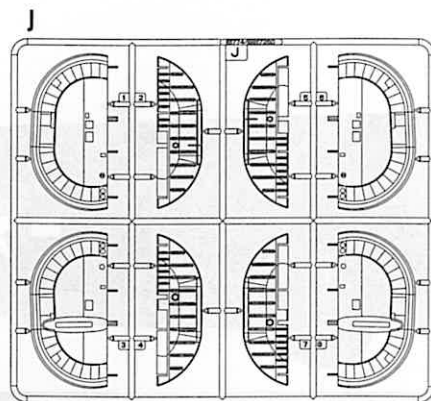
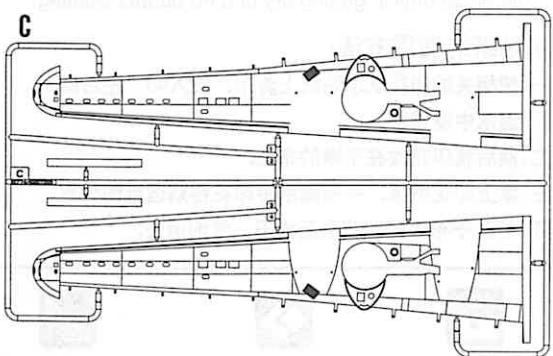
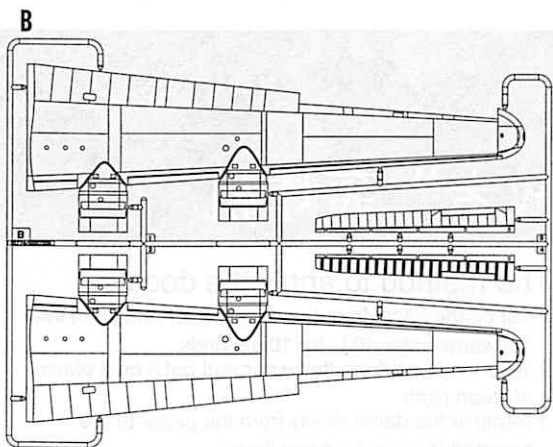
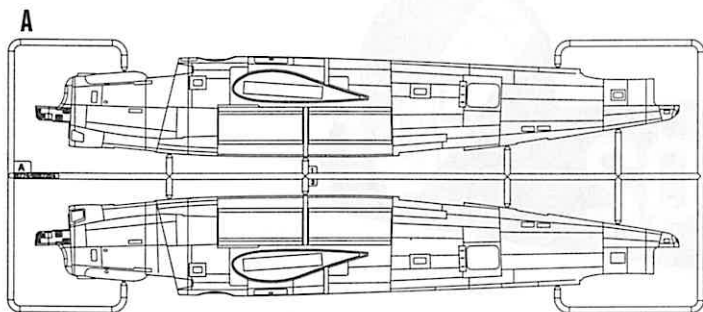
Install it first



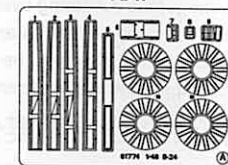
锉平

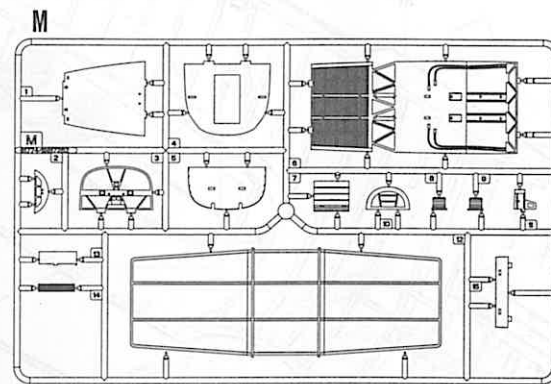
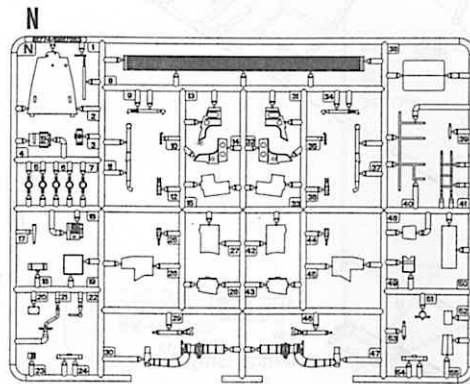
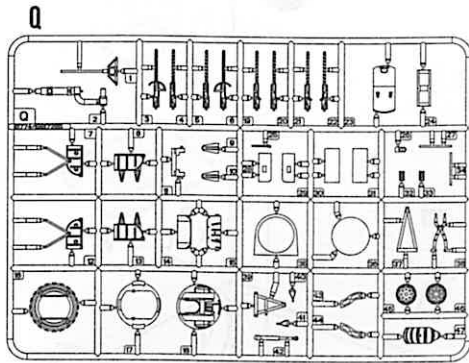
File / Sand

部品图
Parts



《蚀刻片A》
PE-A

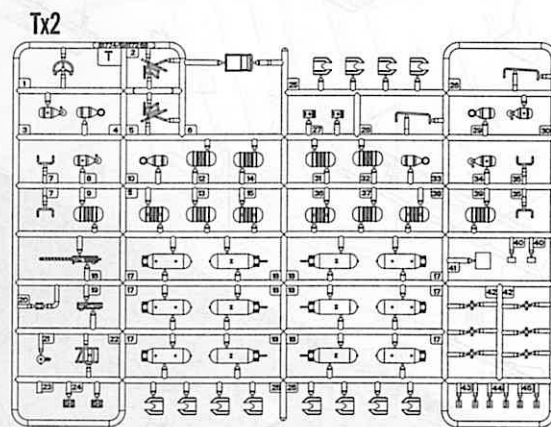
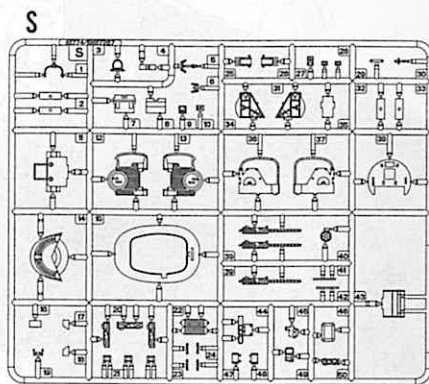
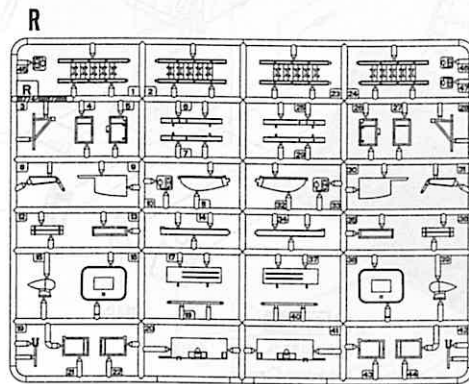




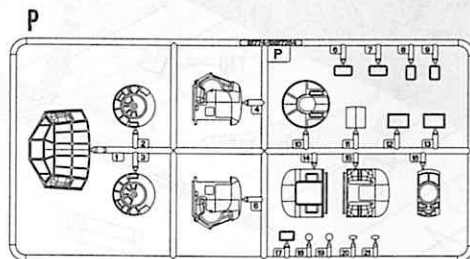
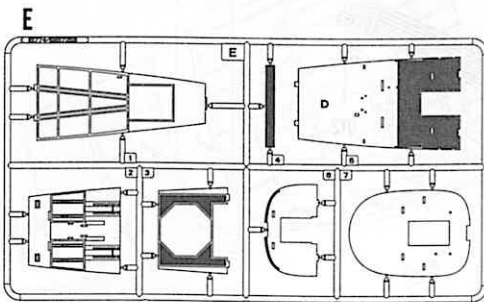
《大轮胎》
Big Tyre x2



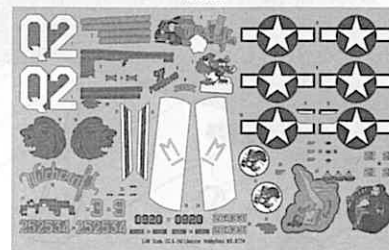
《小轮胎》
Small Tyre



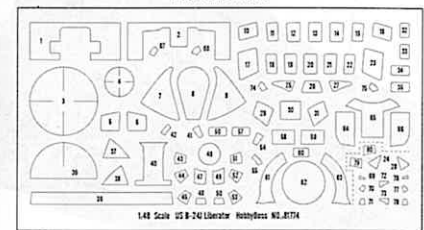
《子弹带》
Bandoleer



《水贴》
Decal



《遮盖纸》
Die-cut mask



不用部件: M15、T12、T14、T16、T19、T20、T24、P20、P21、K9
Unused parts:

1



弯曲
Bend

PE-A7



弯曲
Bend

PE-A9



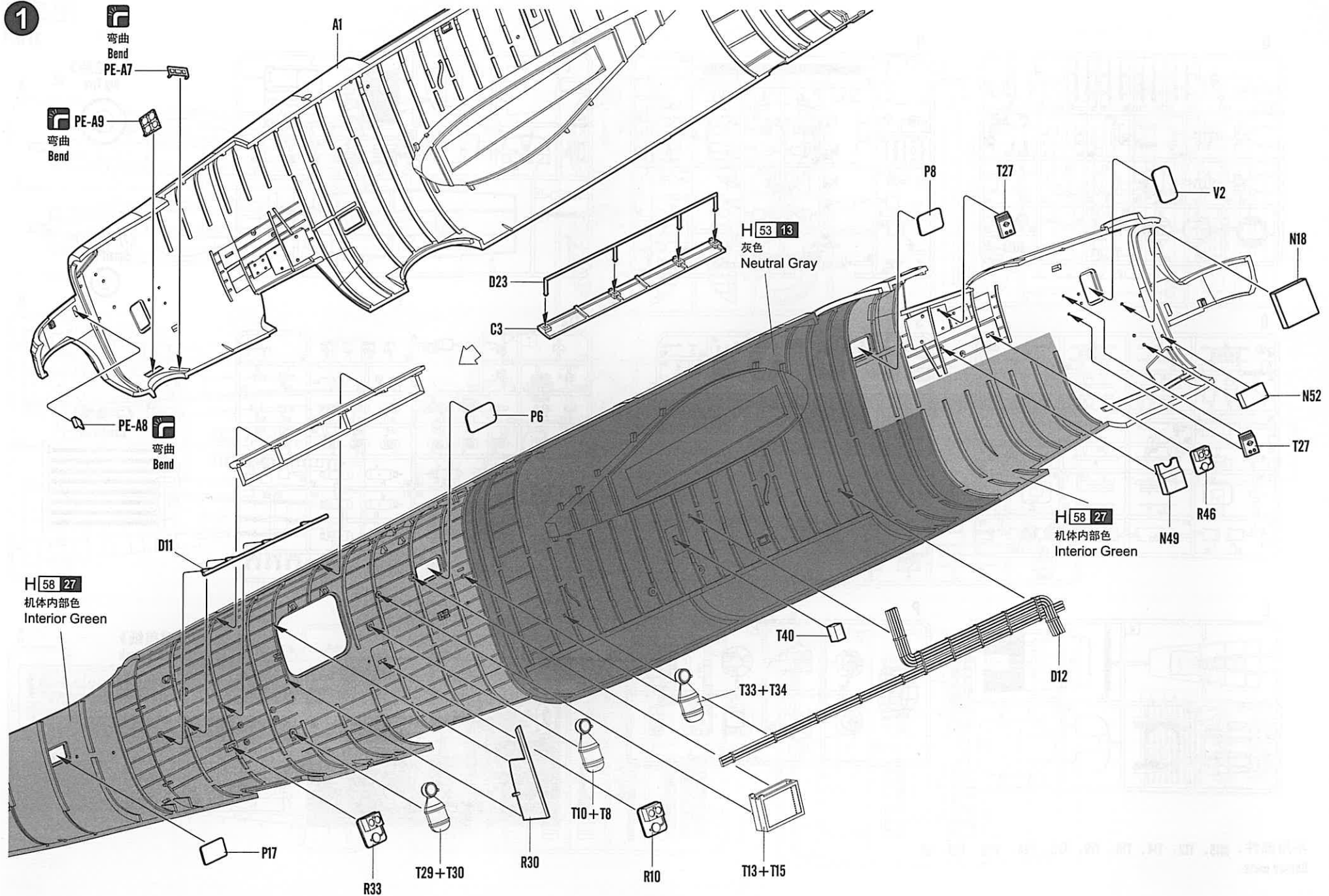
弯曲
Bend

PE-A8

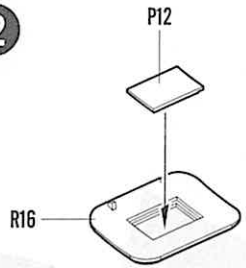
H[58 27]
机体内部色
Interior Green

H[53 13]
灰色
Neutral Gray

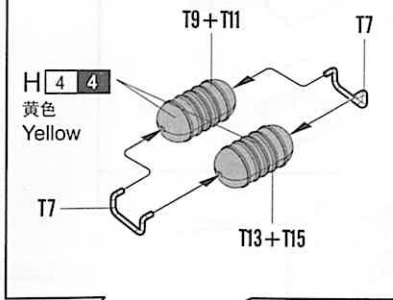
H[58 27]
机体内部色
Interior Green



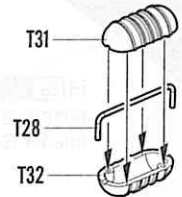
2



4



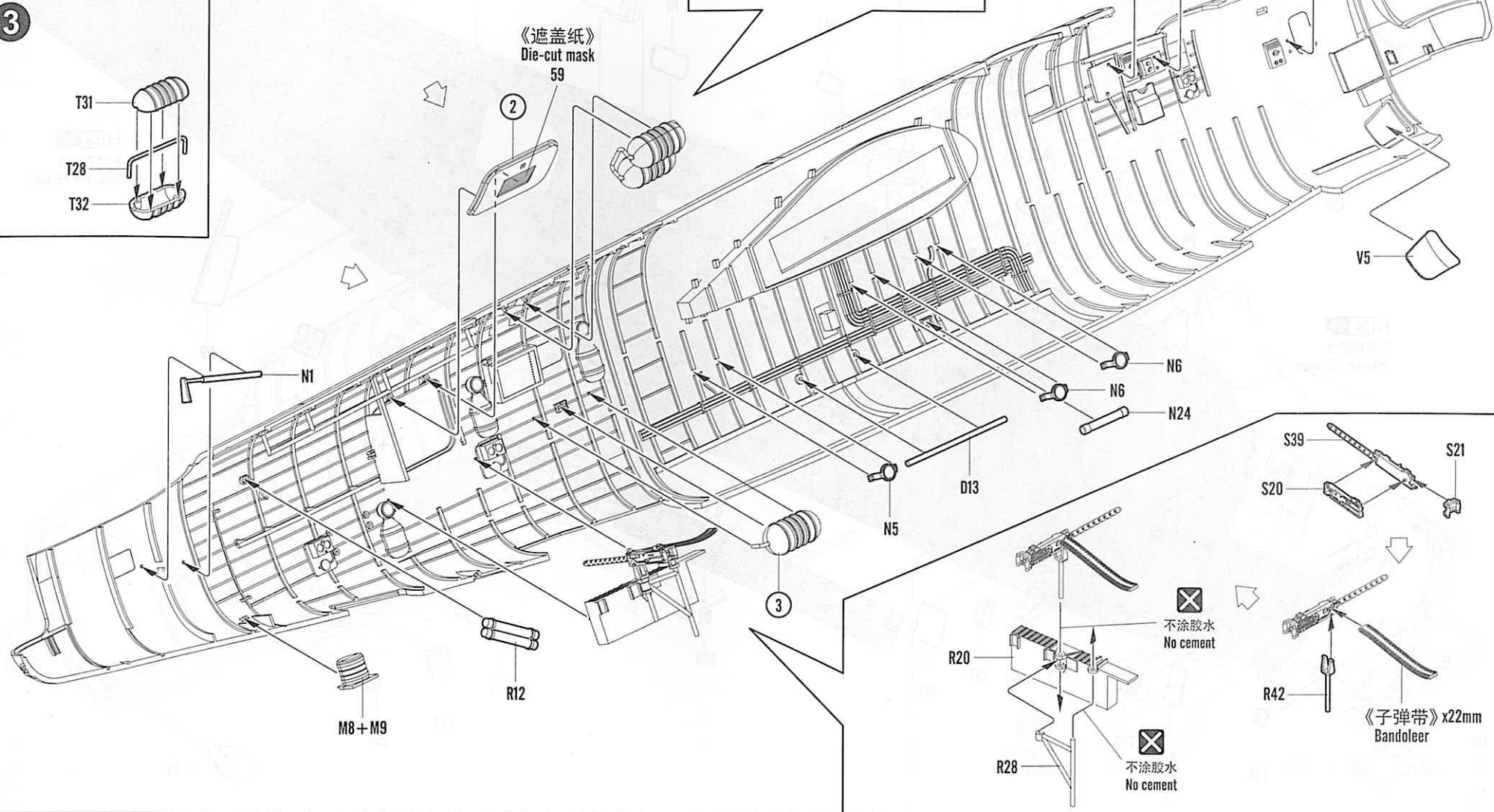
3



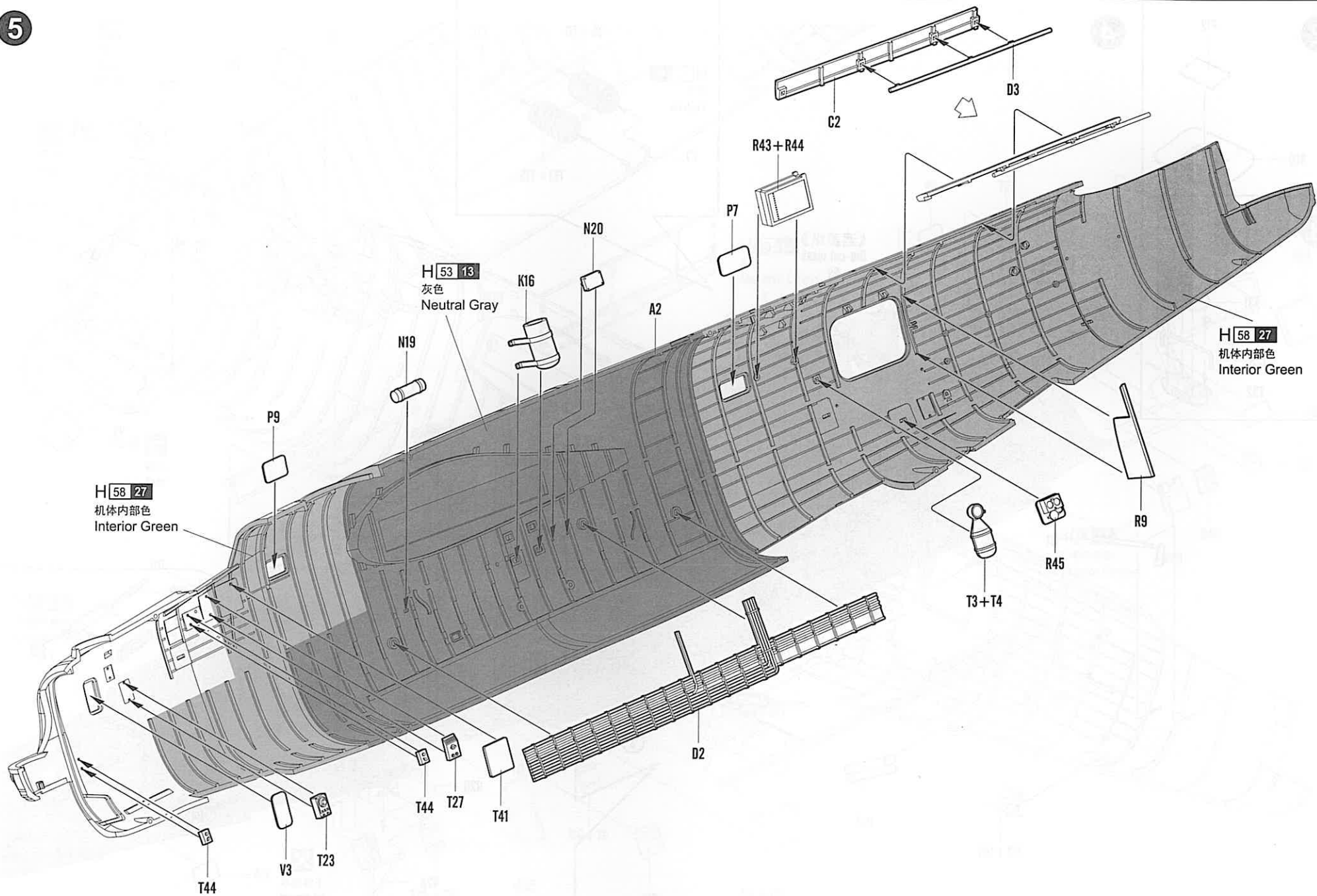
《遮盖纸》
Die-cut mask
59

2

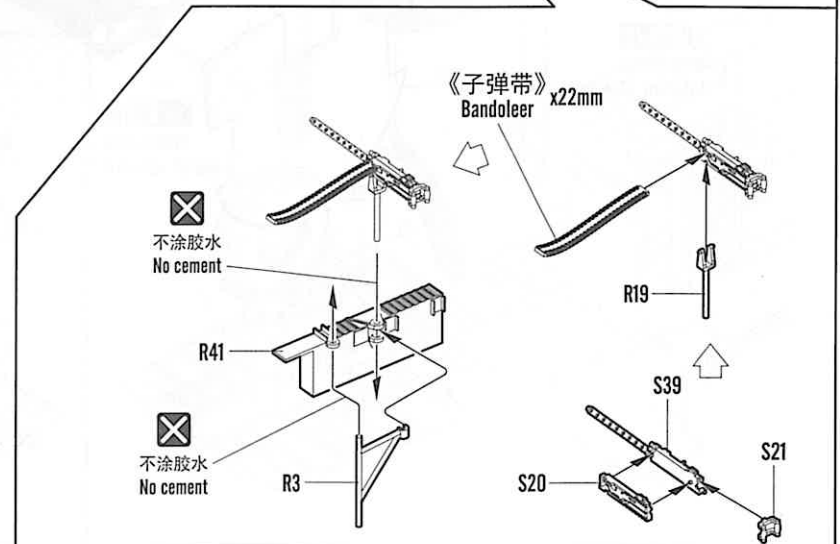
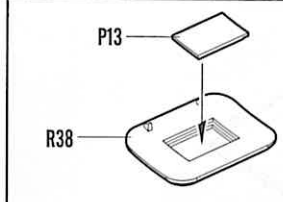
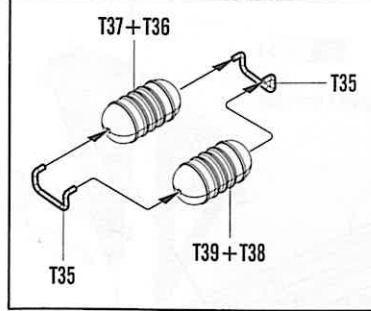
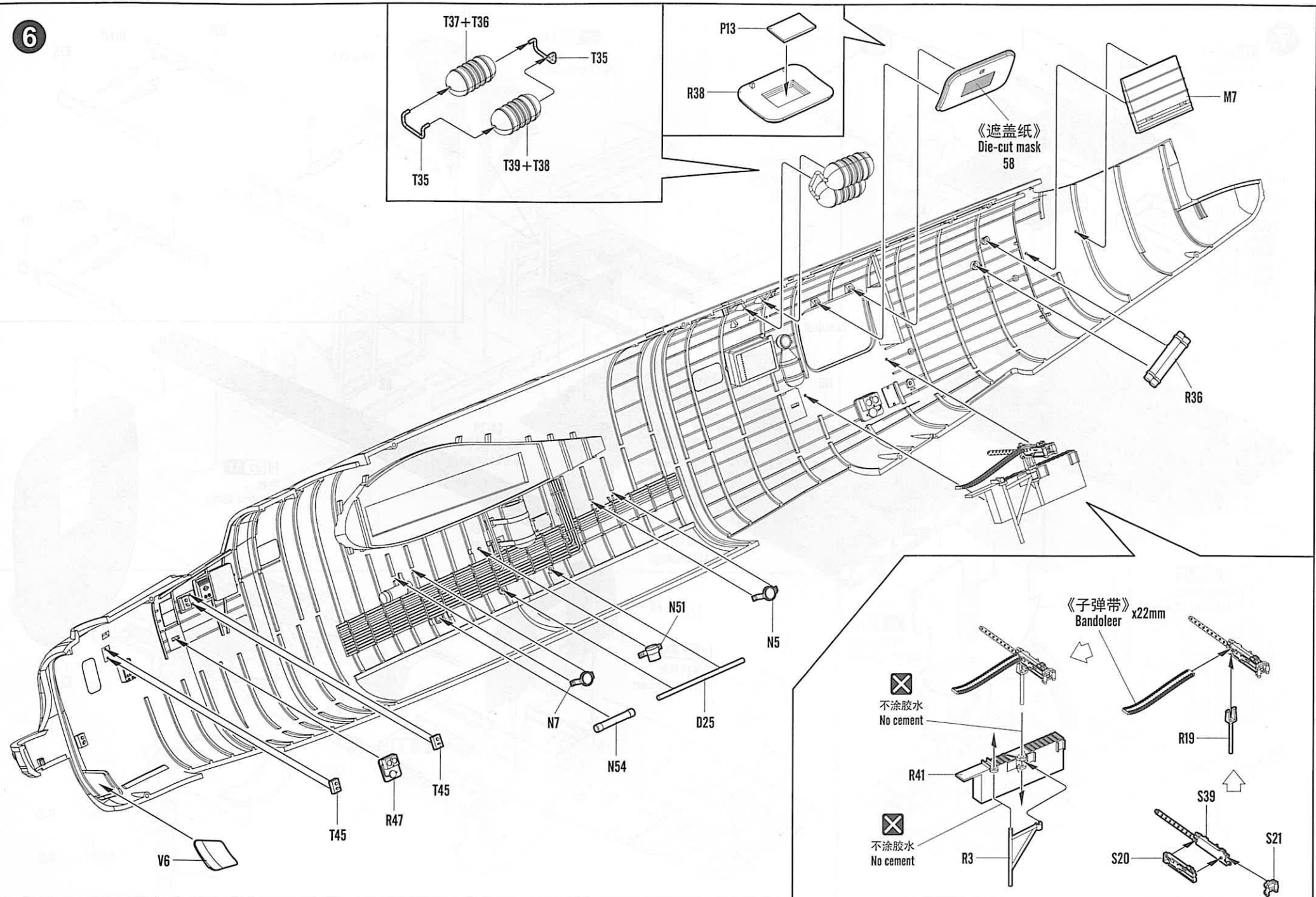
3



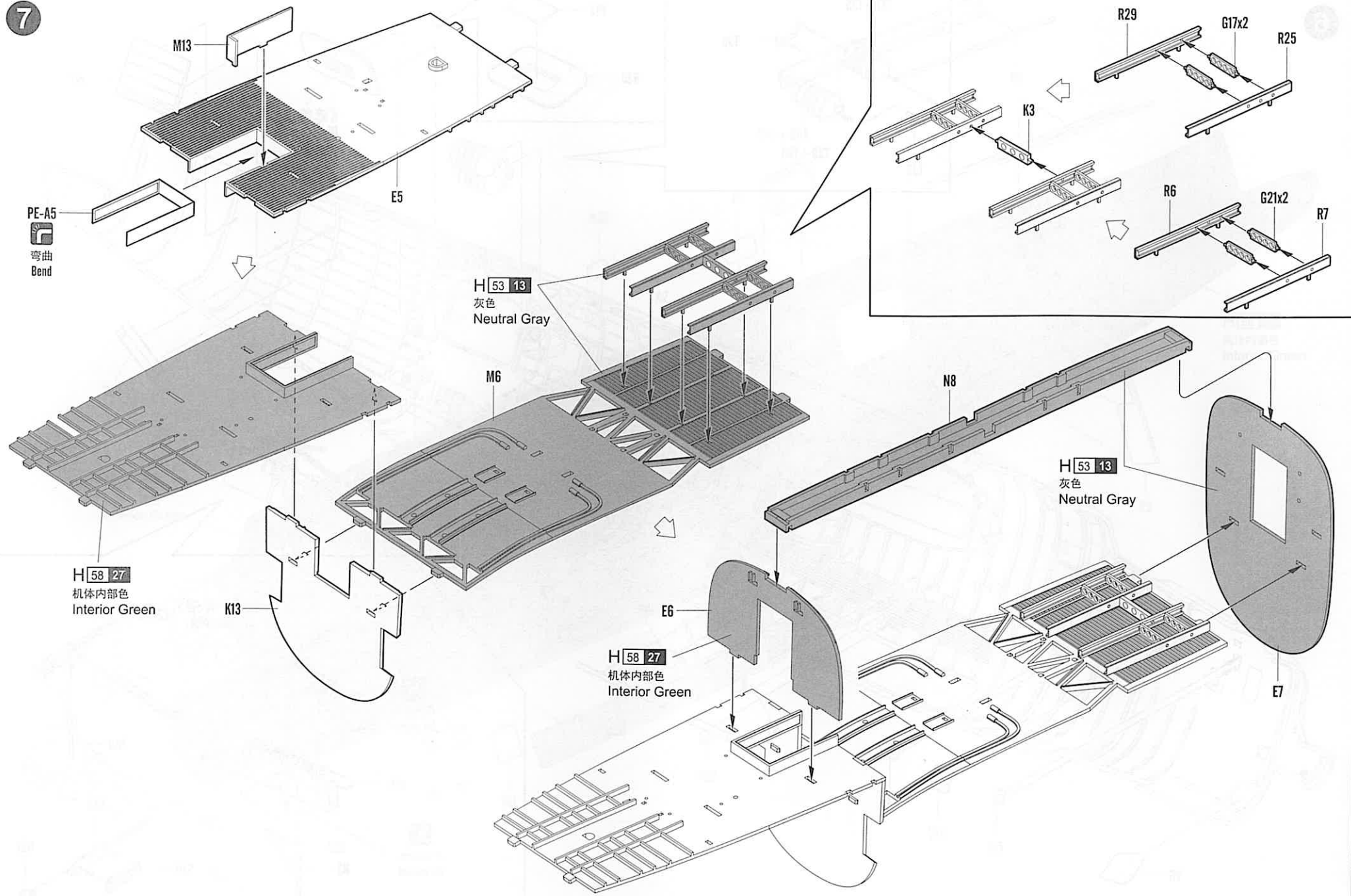
5



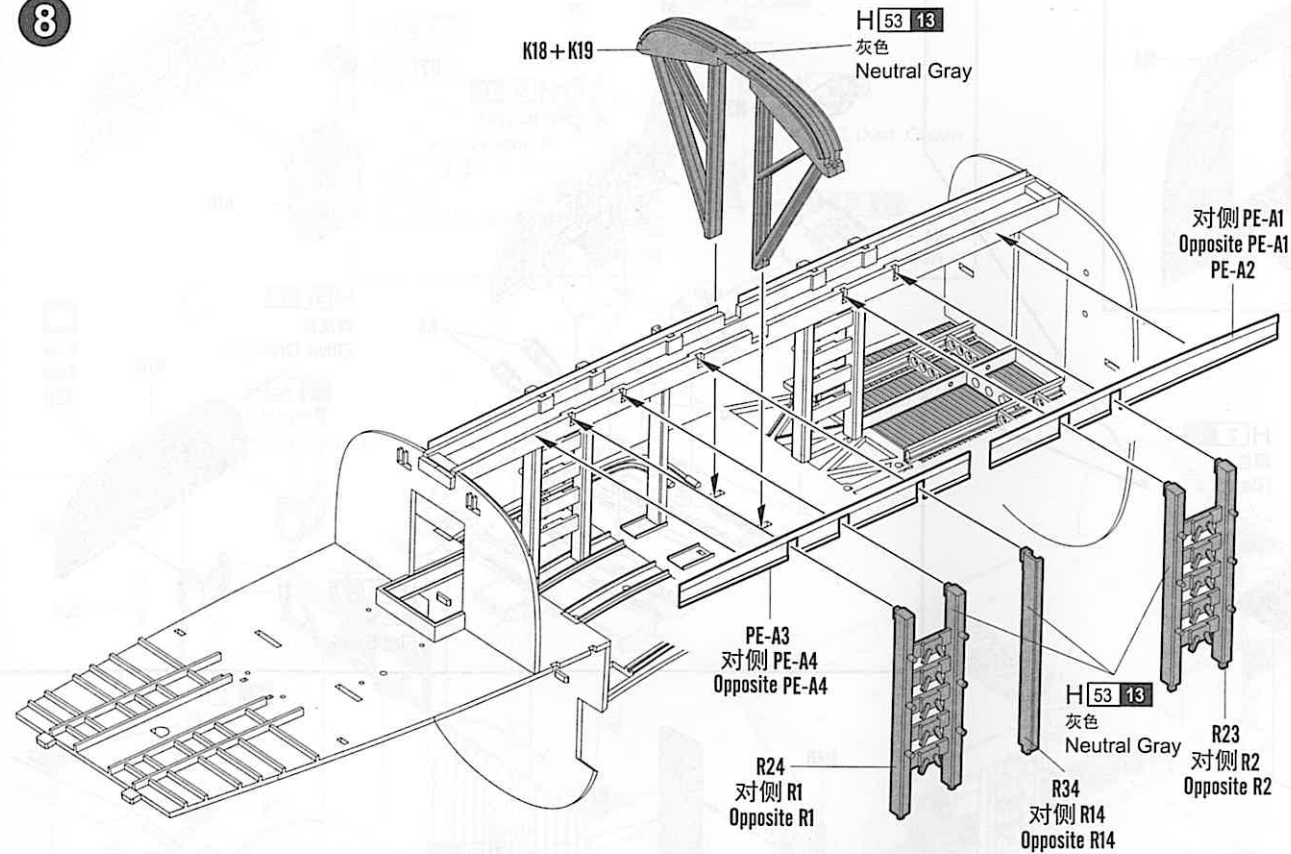
6



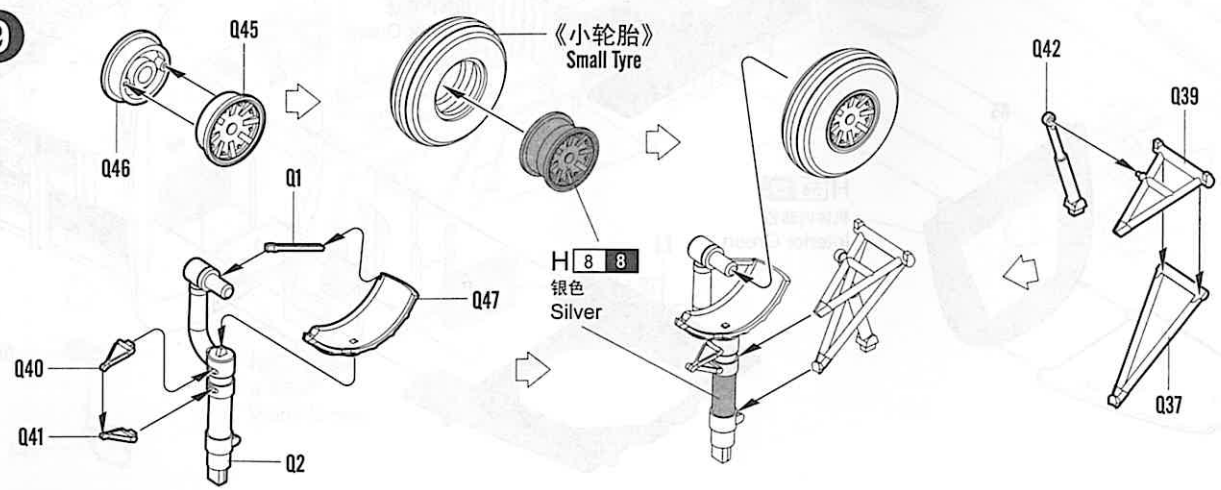
7



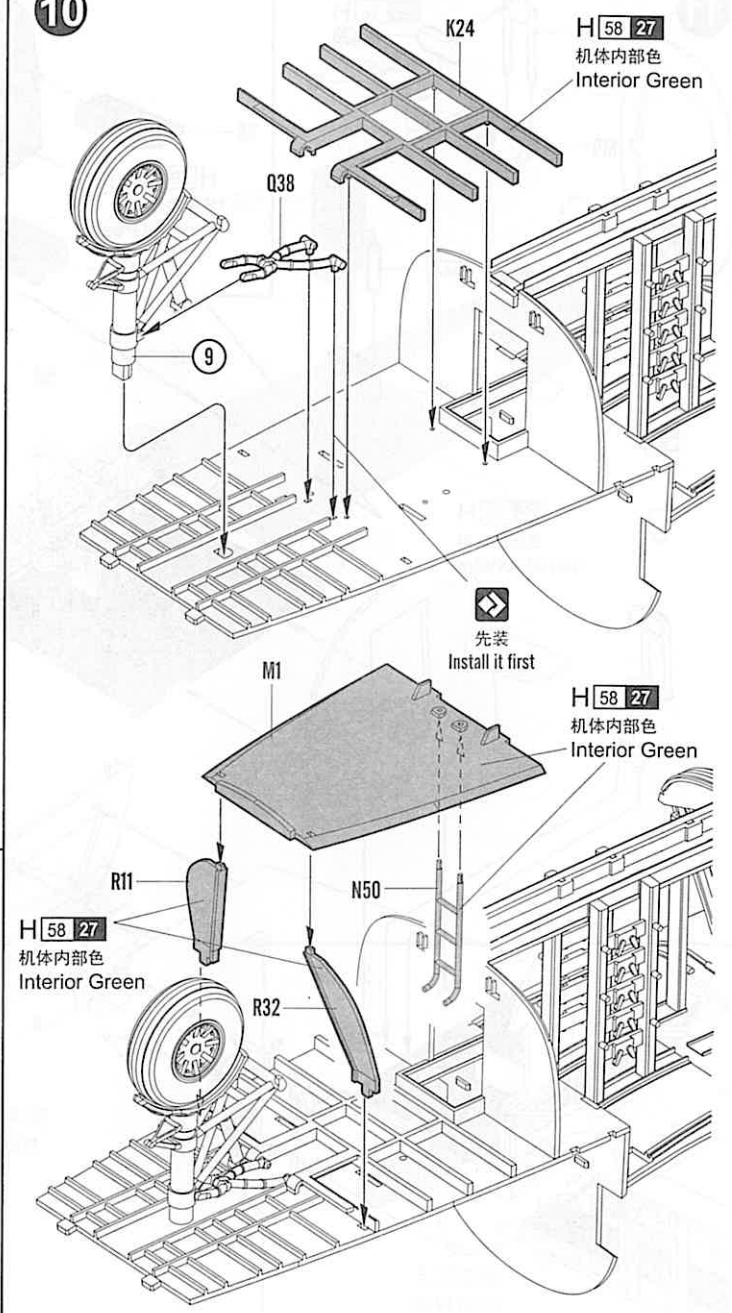
8



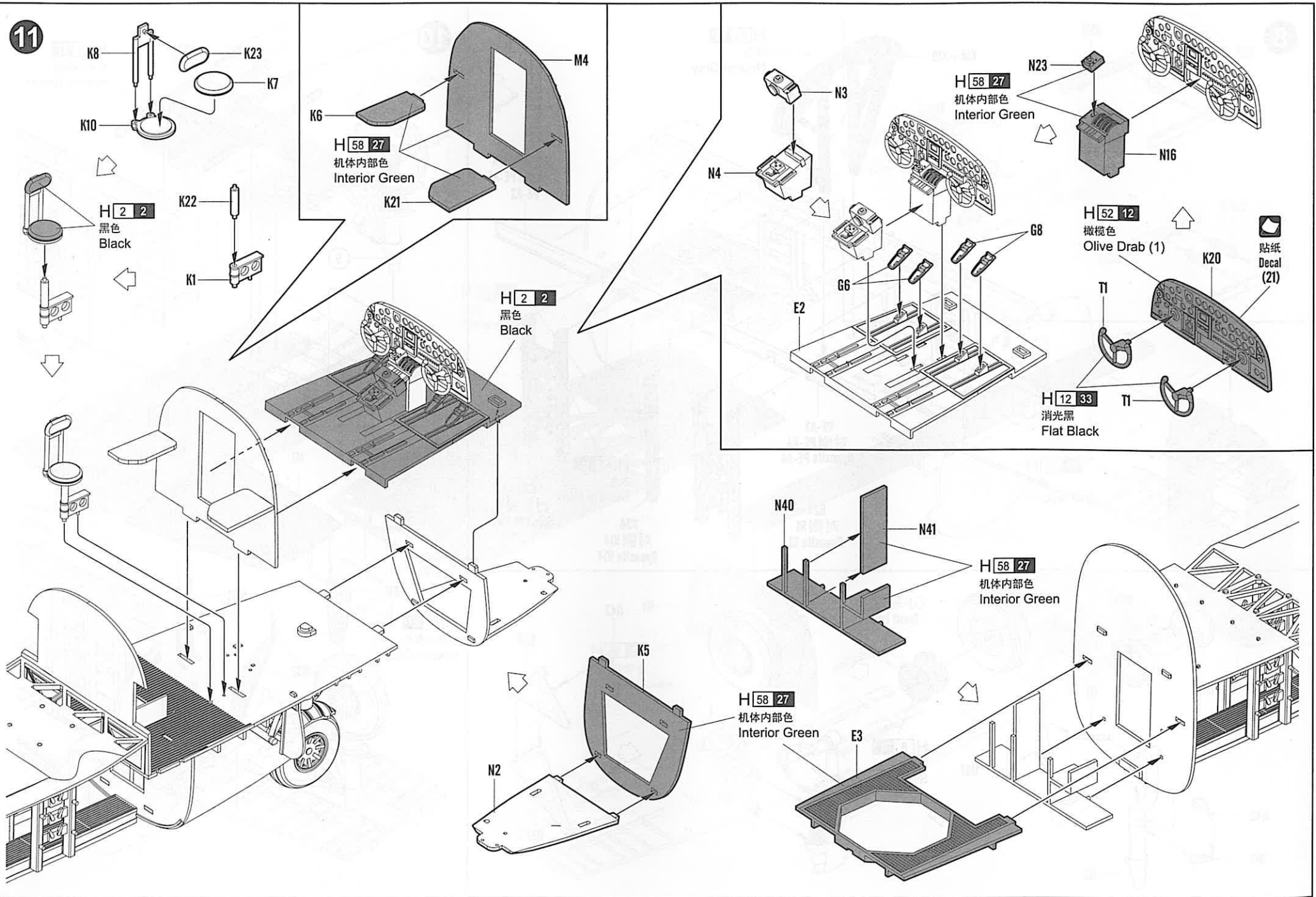
9



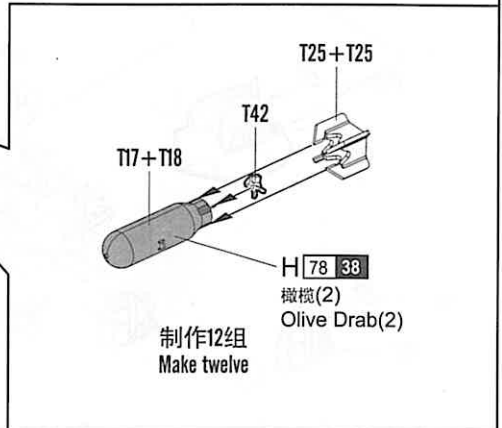
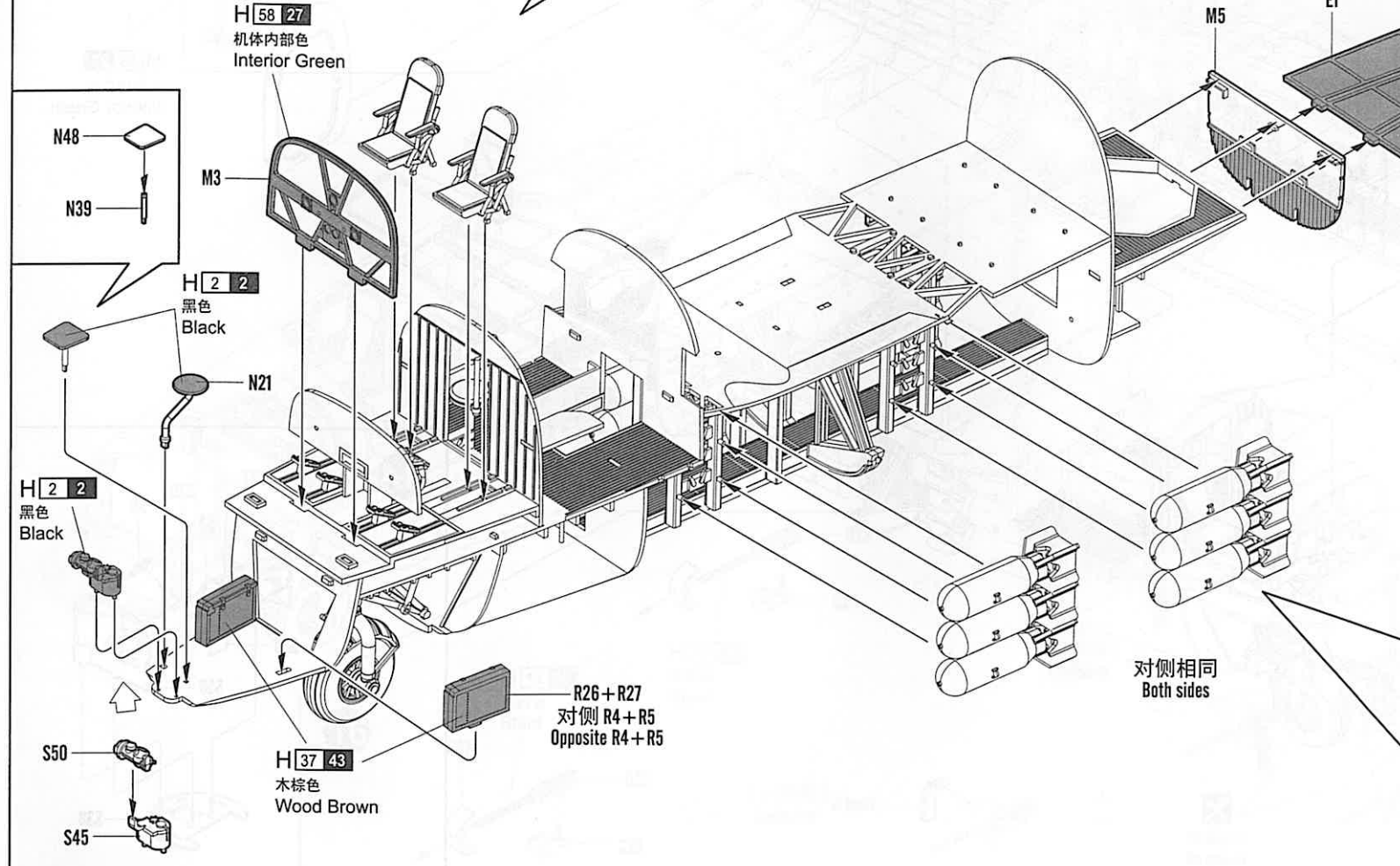
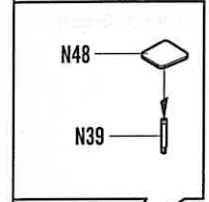
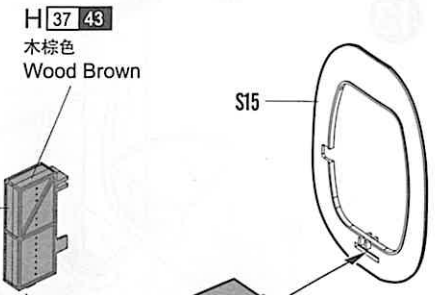
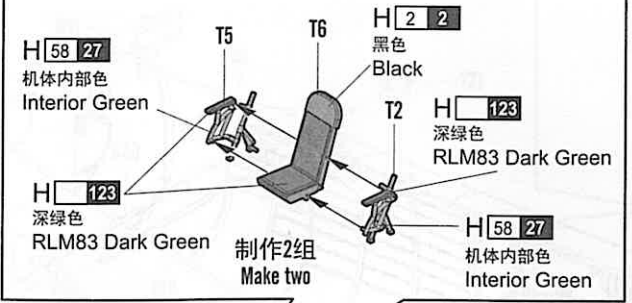
10



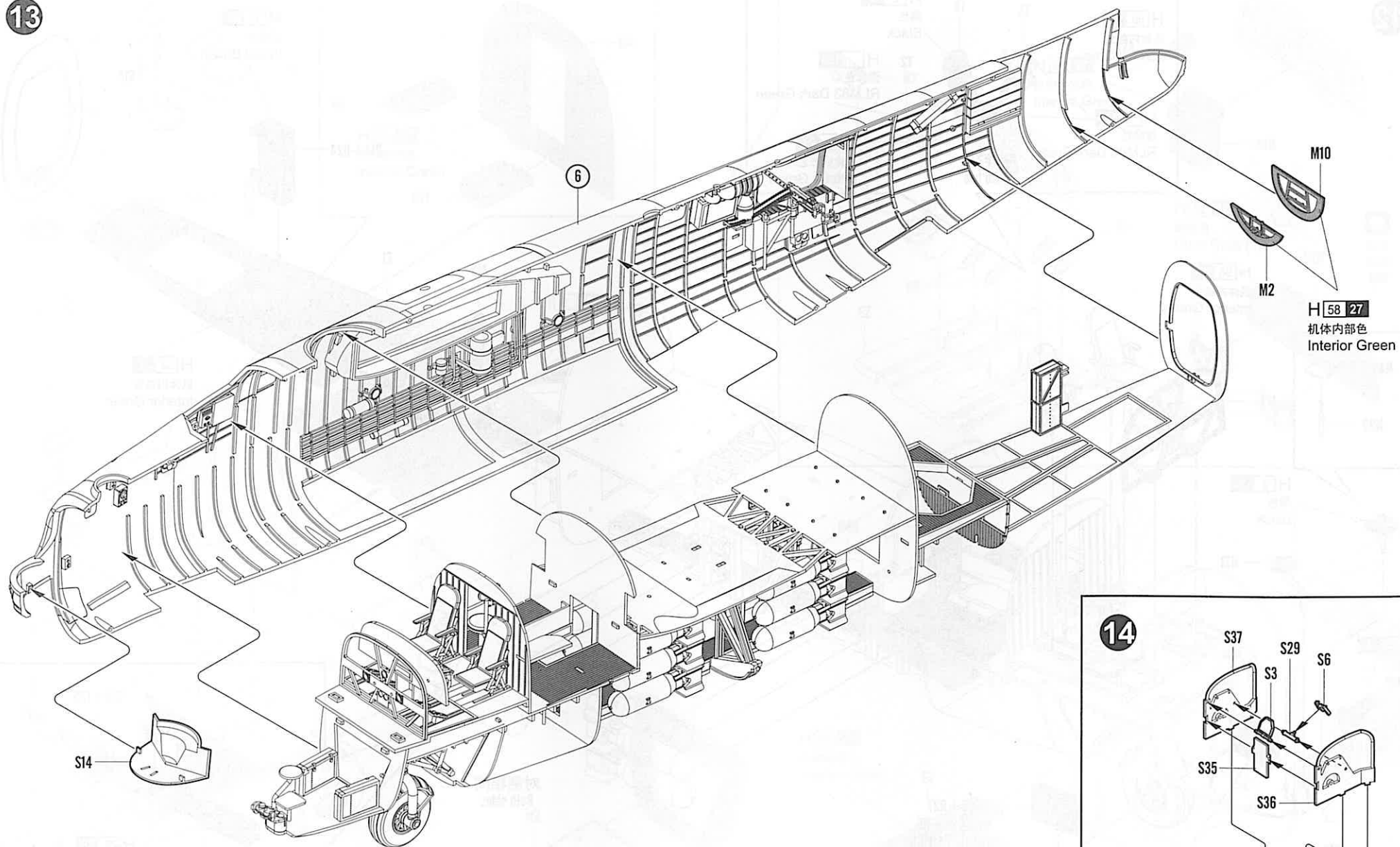
11



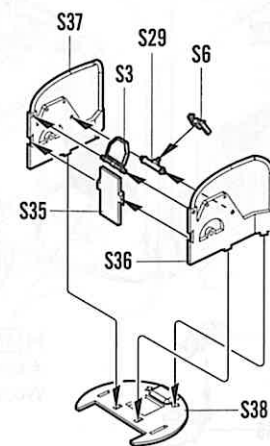
12



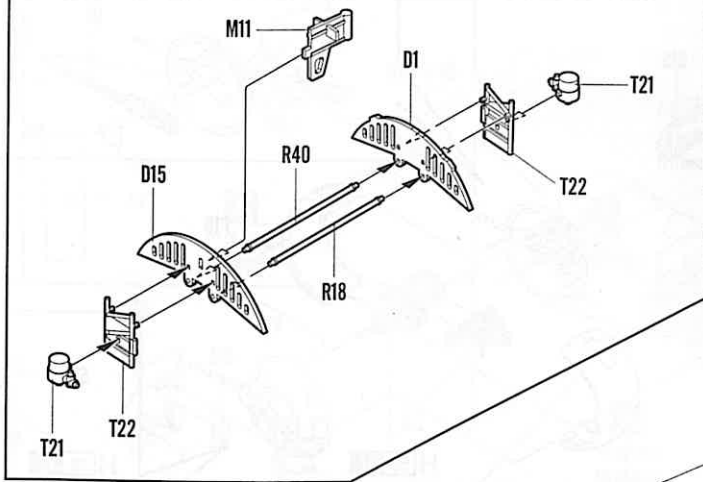
13



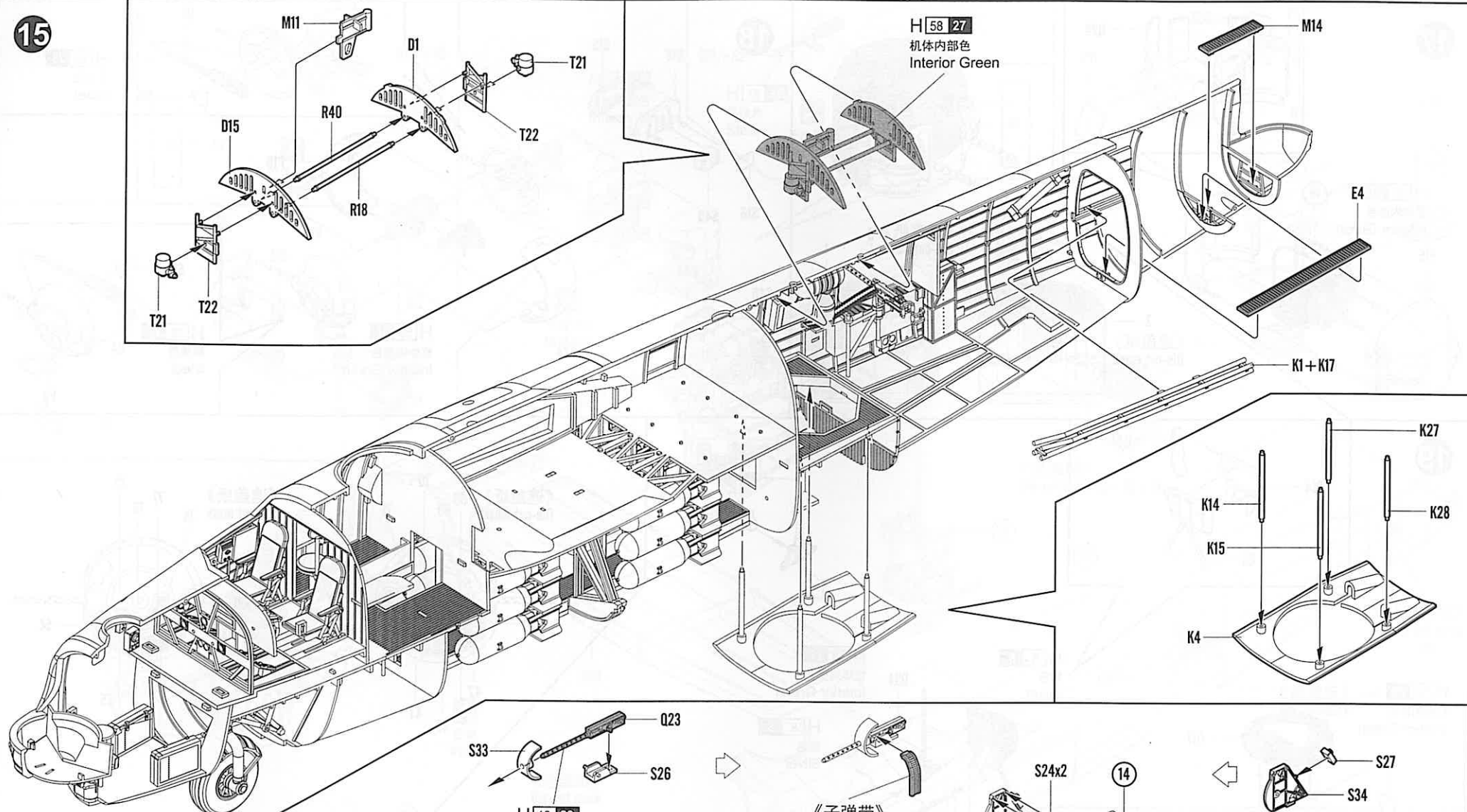
14



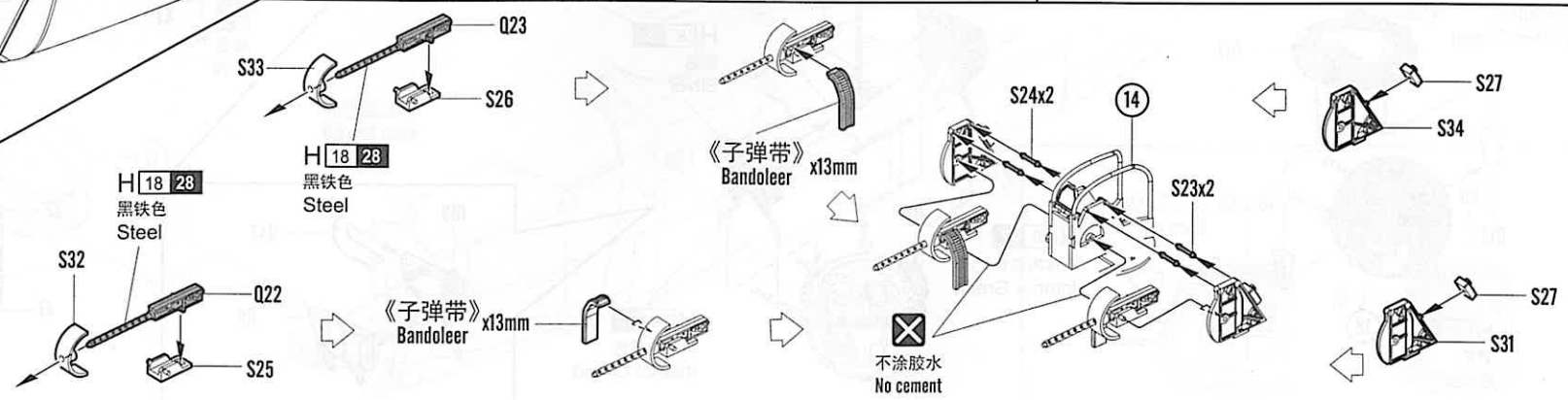
15

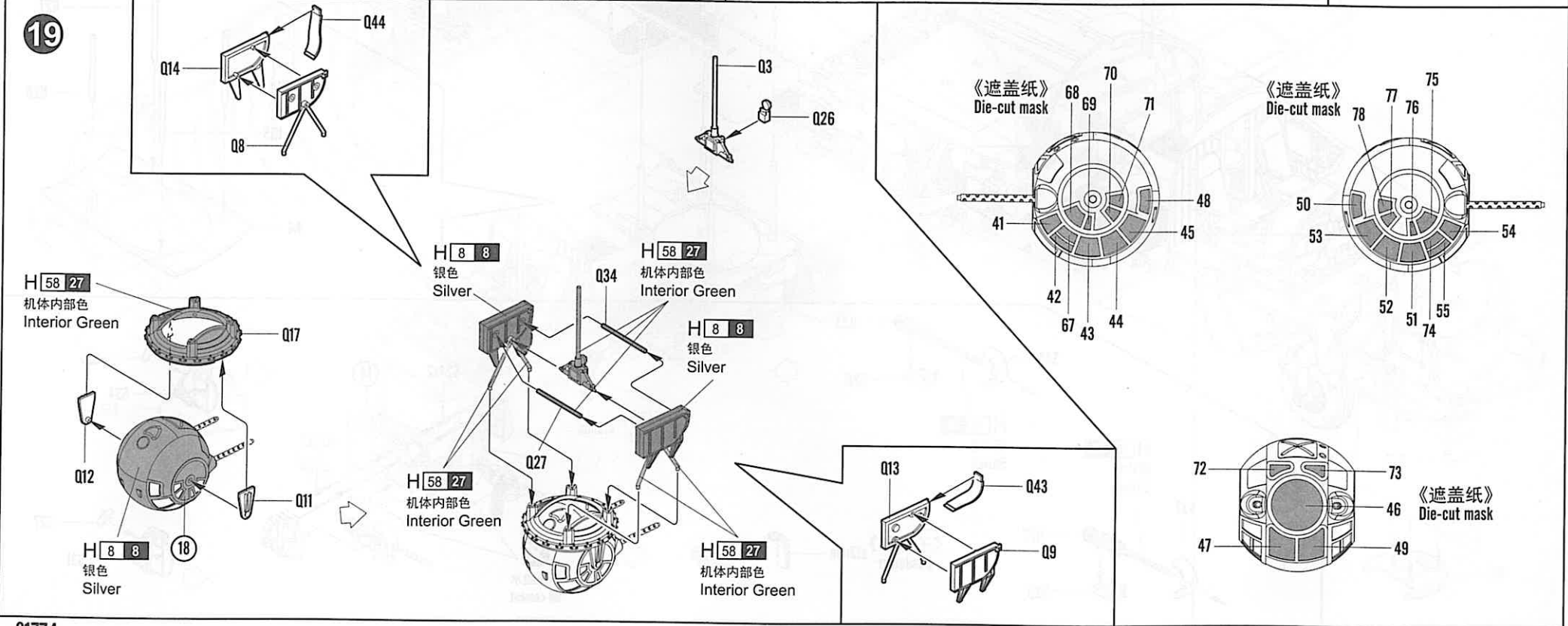
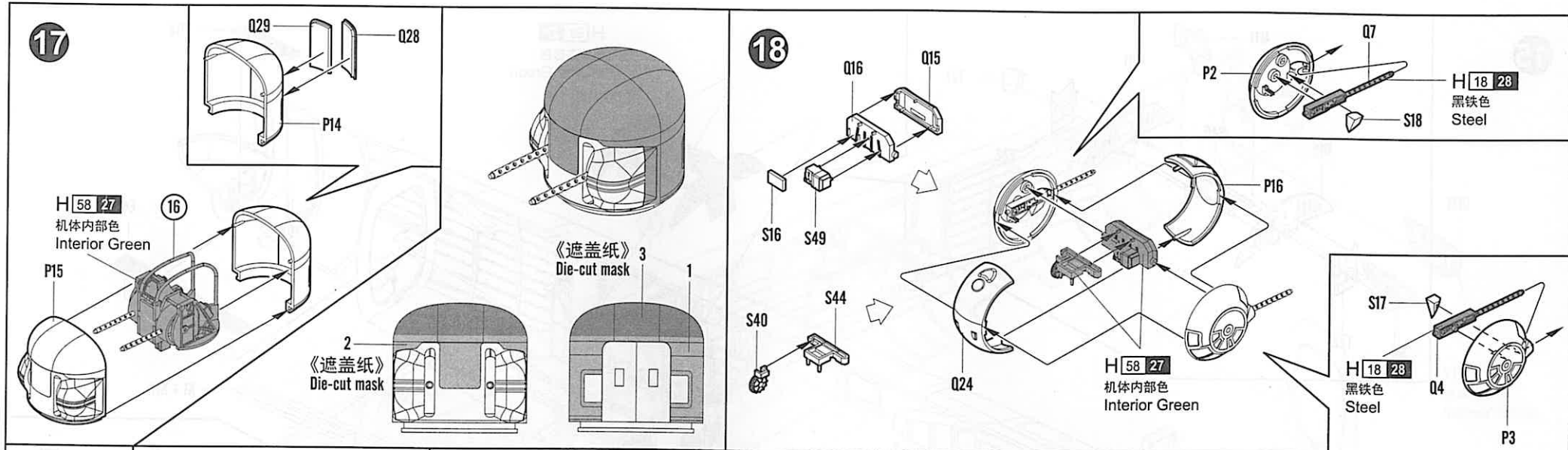


H | 58 | 27
 机体内部色
 Interior Green

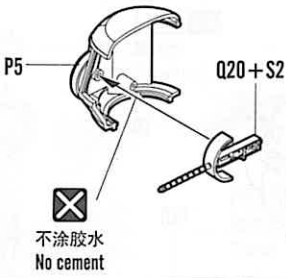


16

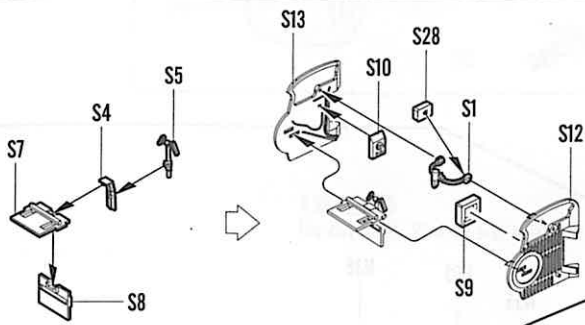
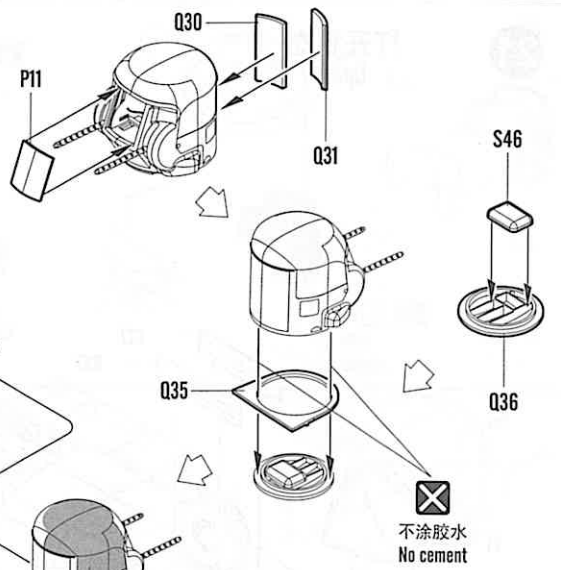
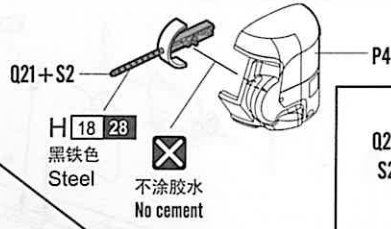




20



H | 58 | 27
机体内部色
Interior Green



不涂胶水
No cement

《遮盖纸》
Die-cut mask 61+62+66

《遮盖纸》
Die-cut mask 60

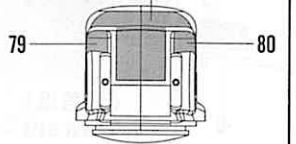
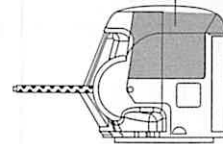
《遮盖纸》
Die-cut mask 34

《遮盖纸》
Die-cut mask 56

《遮盖纸》
Die-cut mask 32

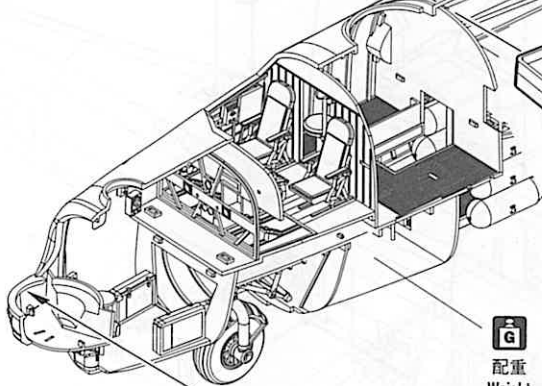
《遮盖纸》 63+64
Die-cut mask

《遮盖纸》 65
Die-cut mask



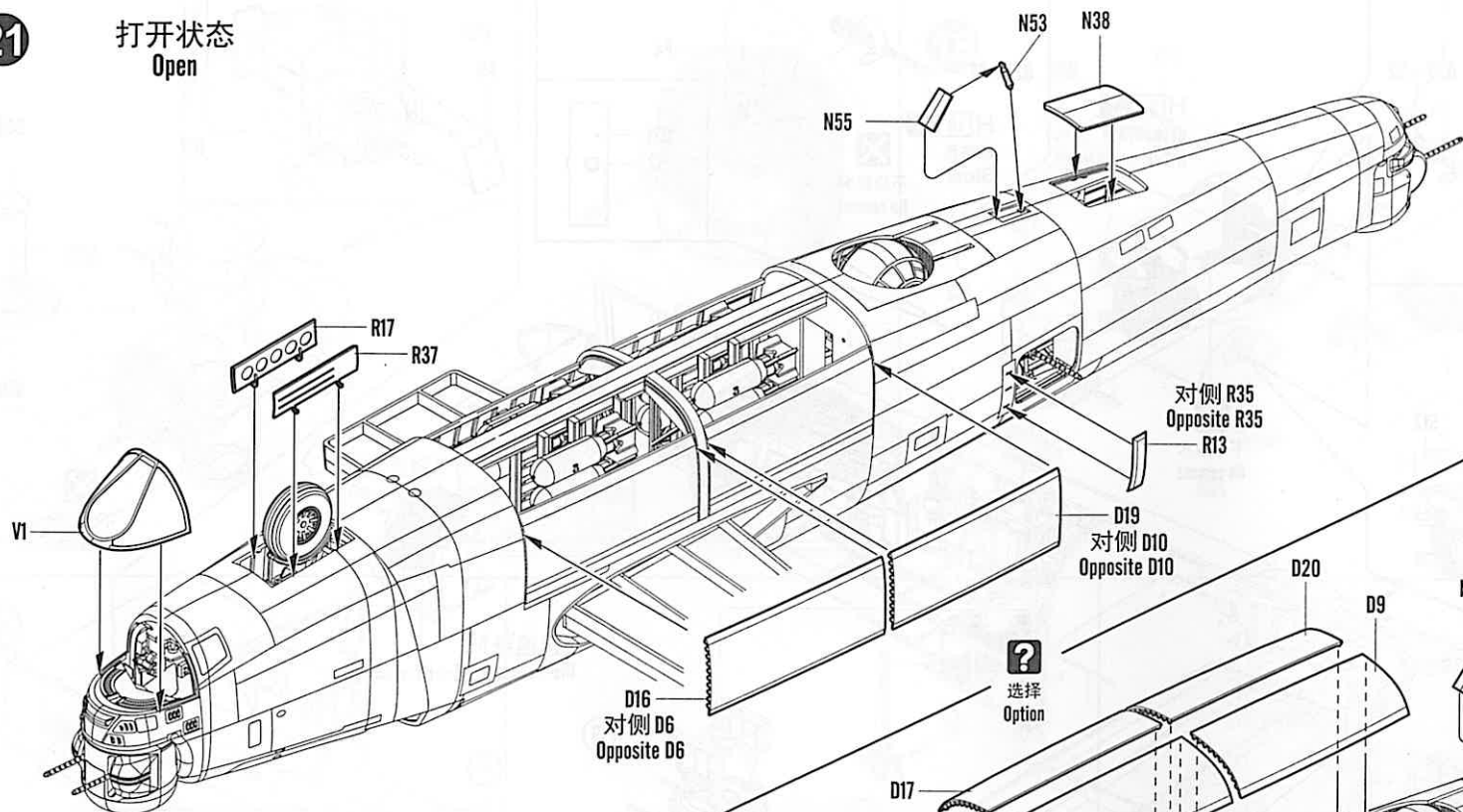
不涂胶水
No cement

配重
Weight

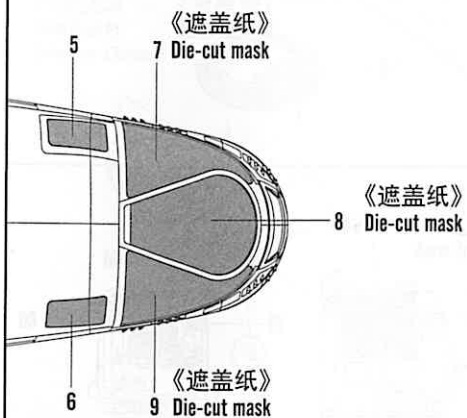
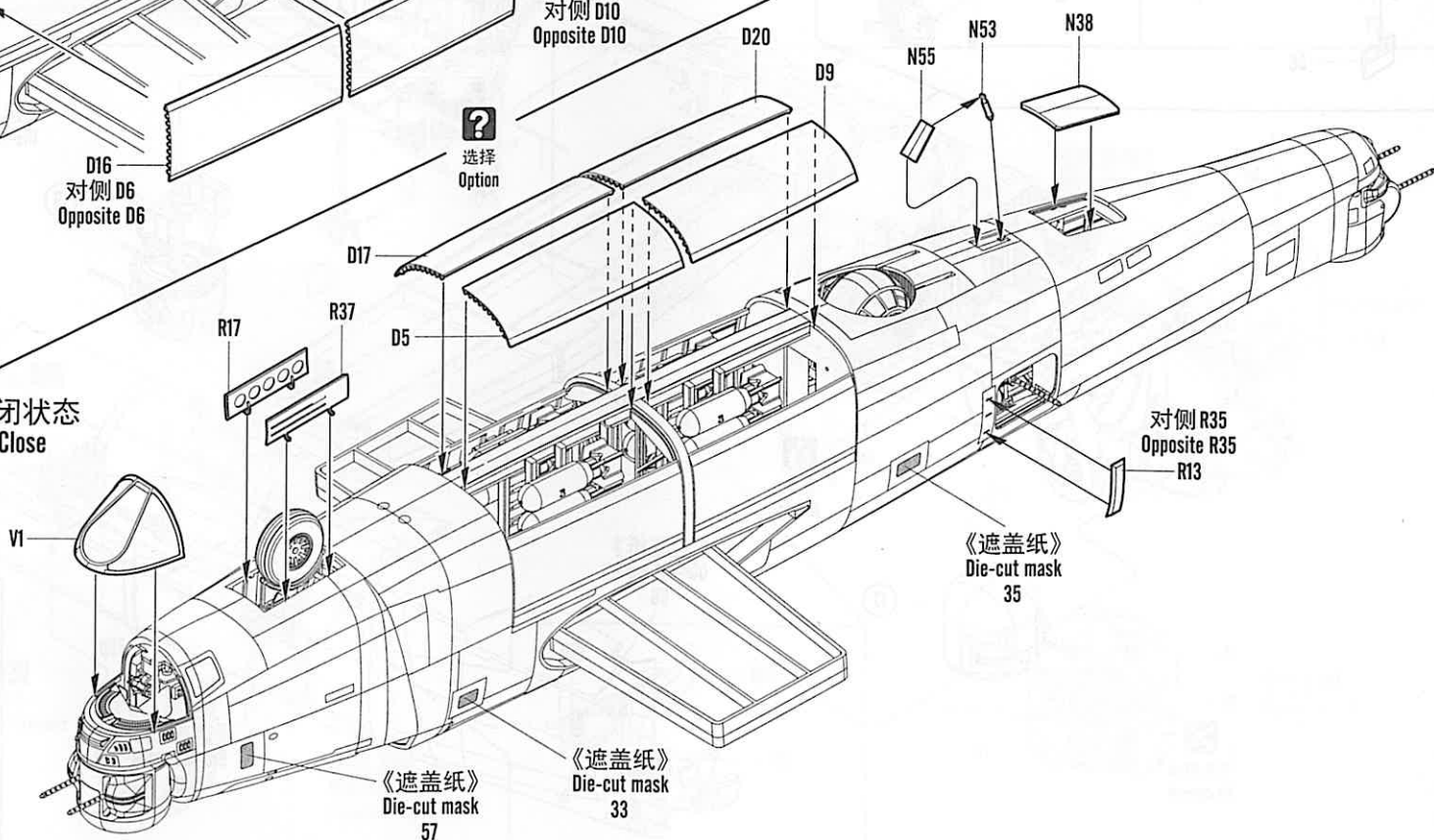


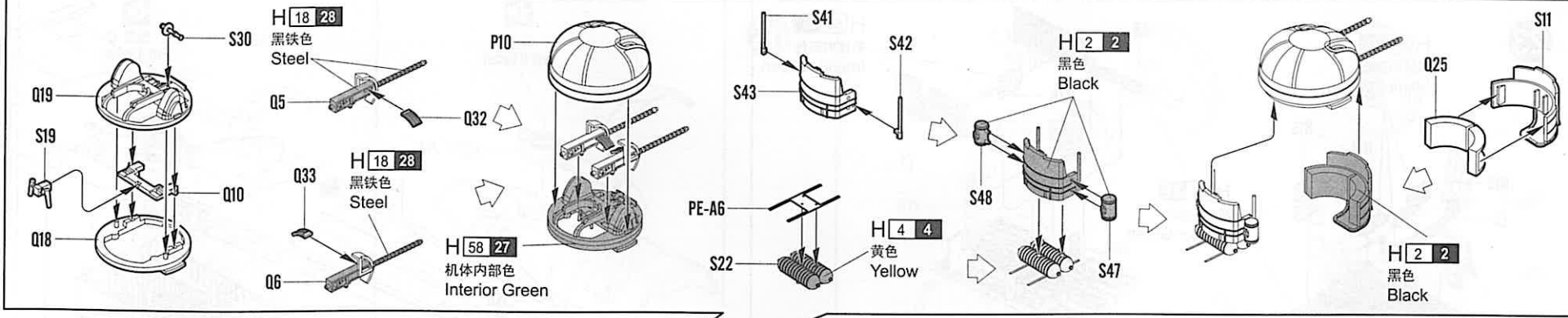
21

打开状态
Open



关闭状态
Close



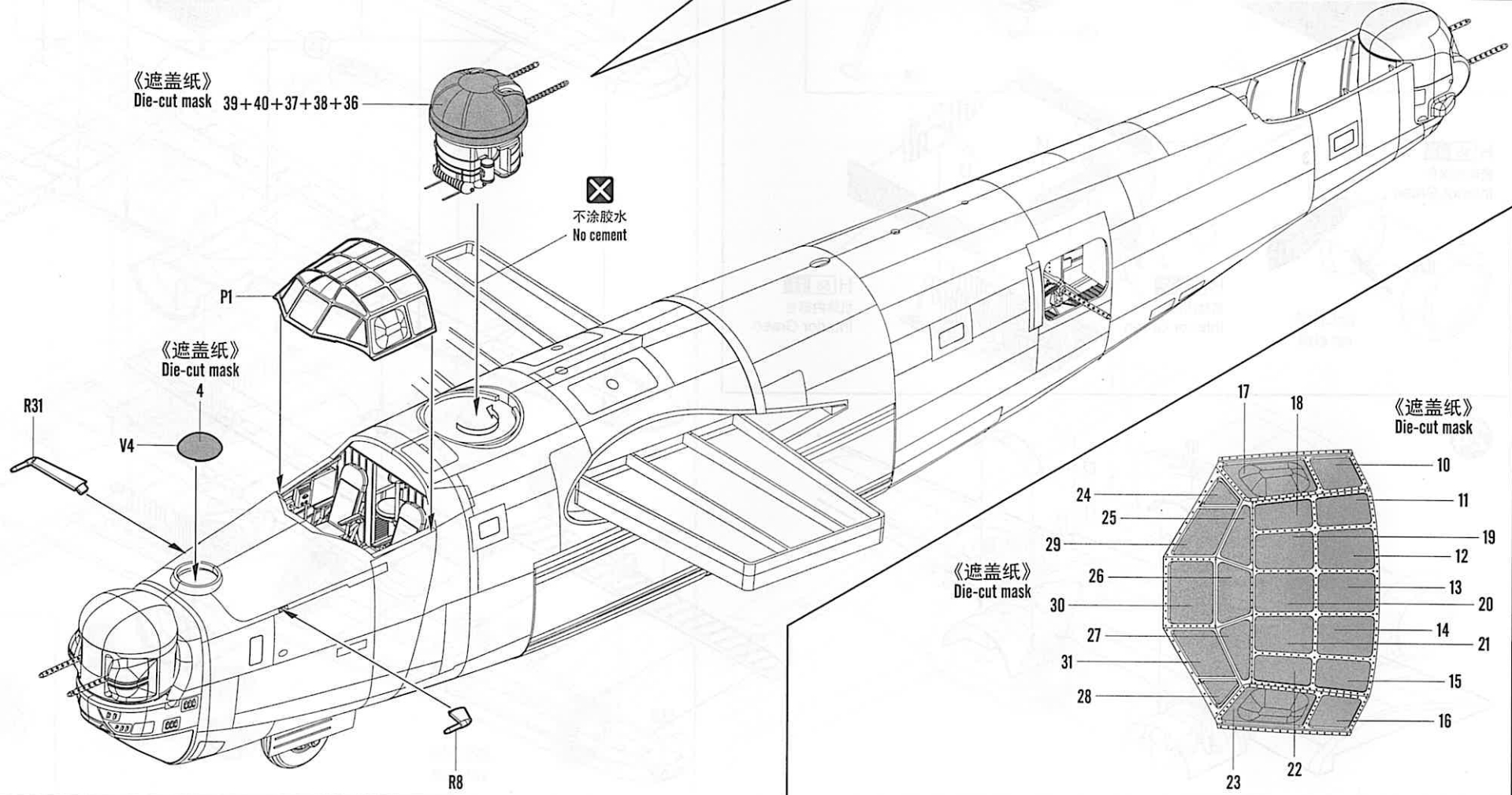


《遮盖纸》
Die-cut mask 39+40+37+38+36

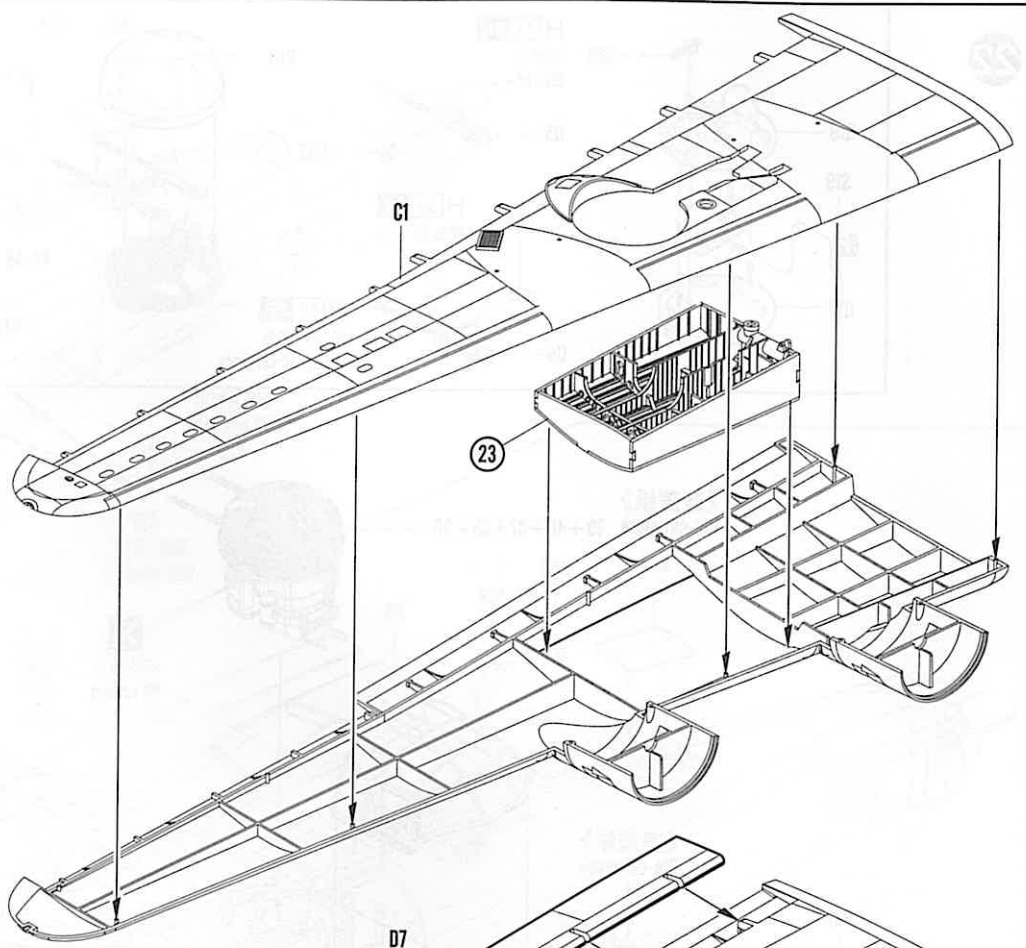
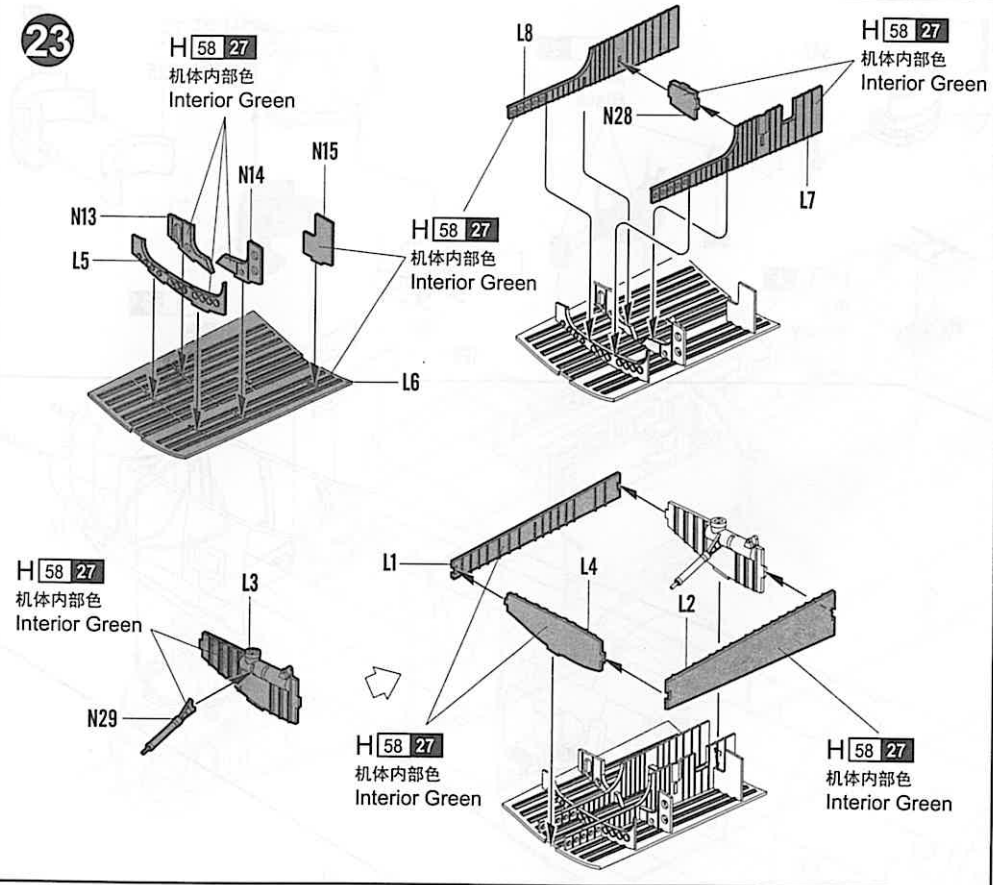
⊗
不涂胶水
No cement

《遮盖纸》
Die-cut mask 4

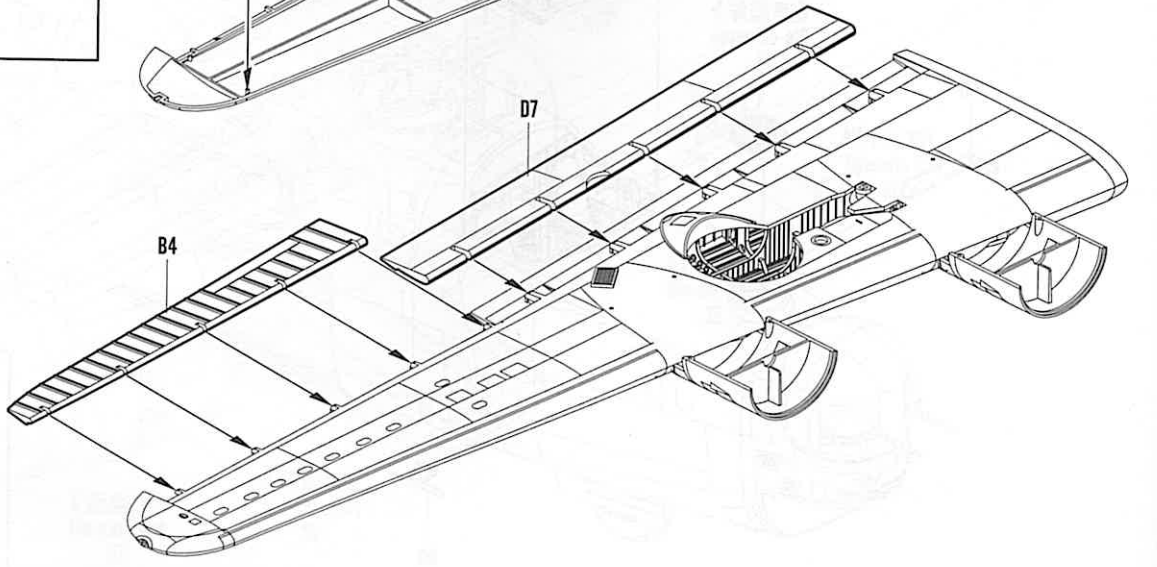
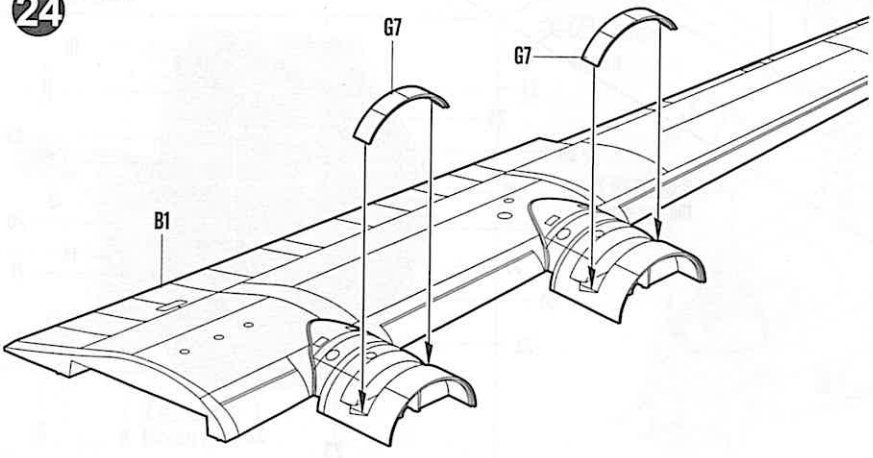
《遮盖纸》
Die-cut mask



23



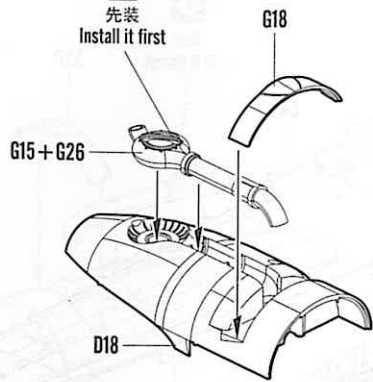
24



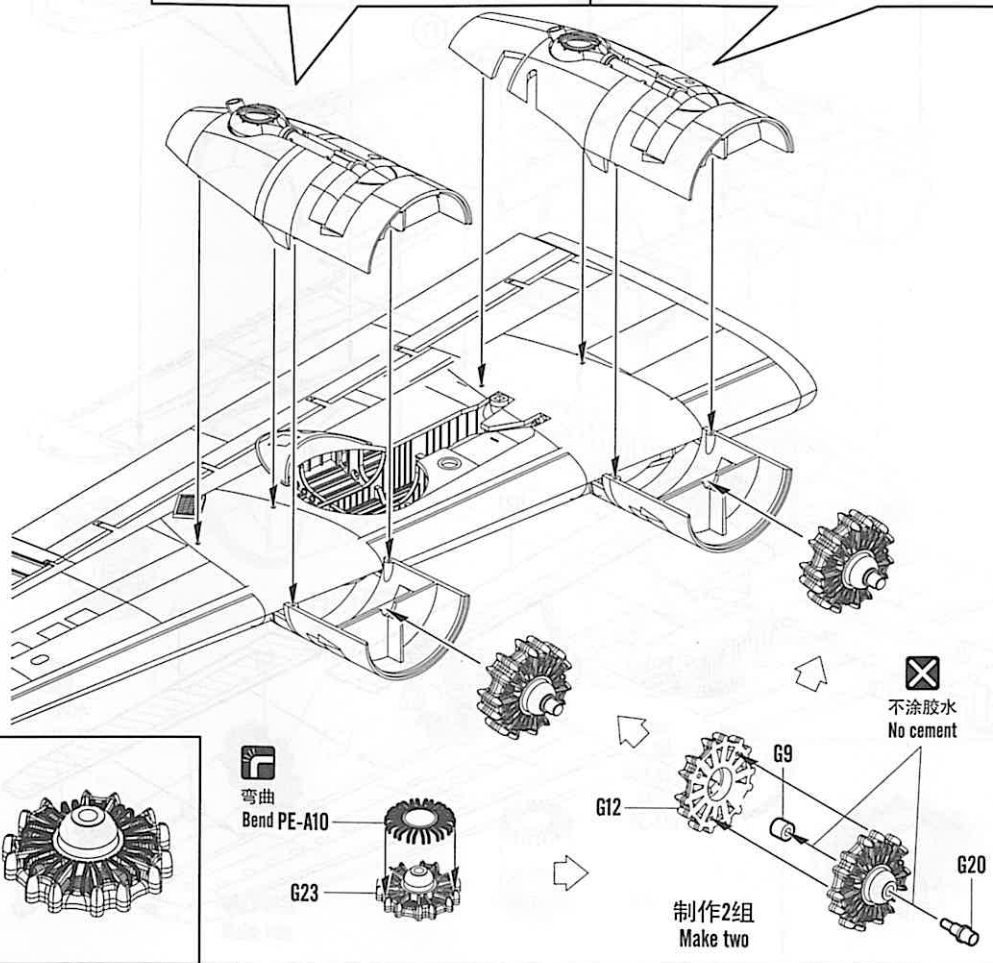
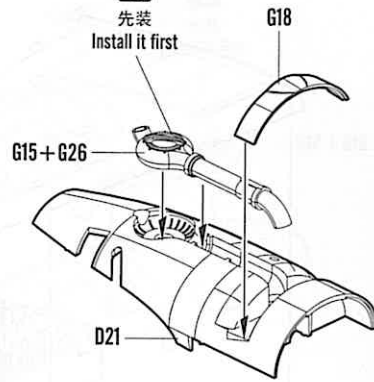
25



先装
Install it first



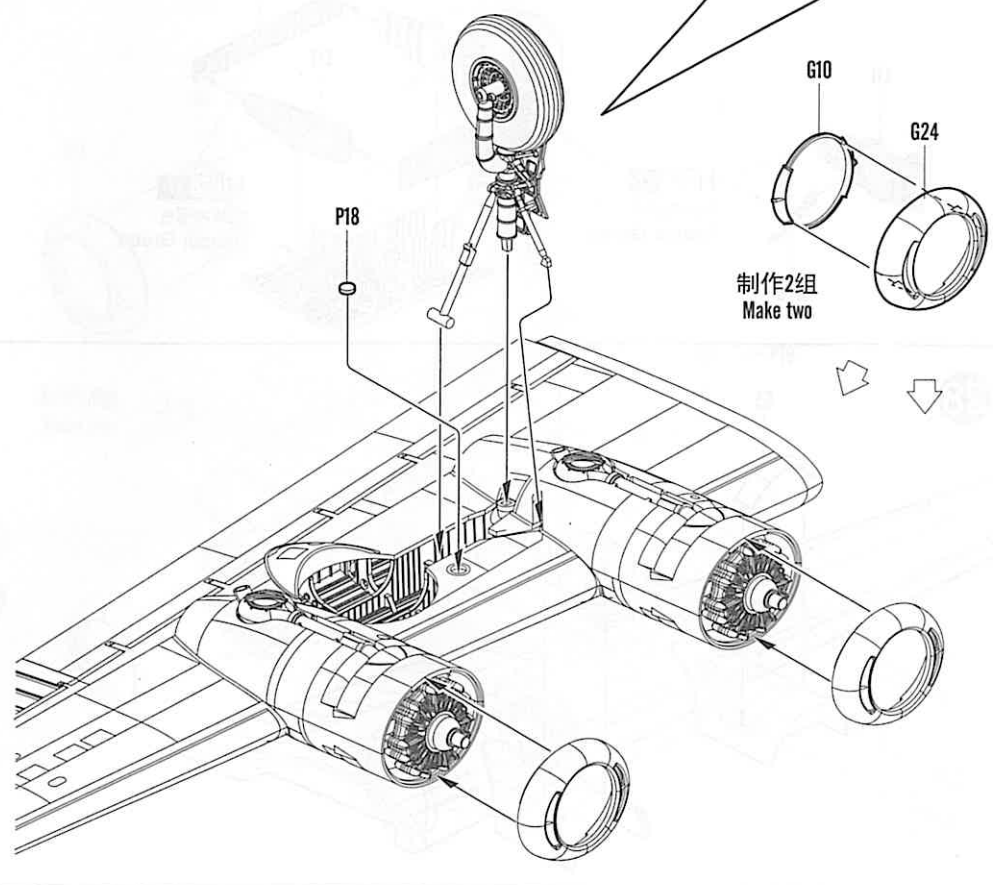
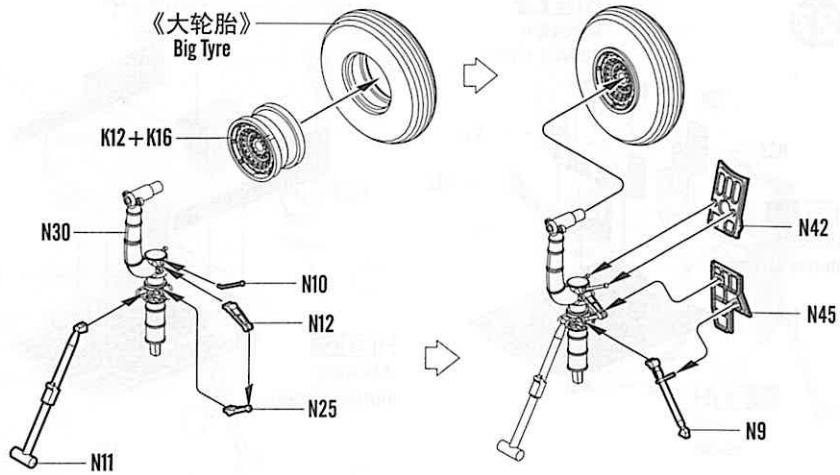
先装
Install it first



81774

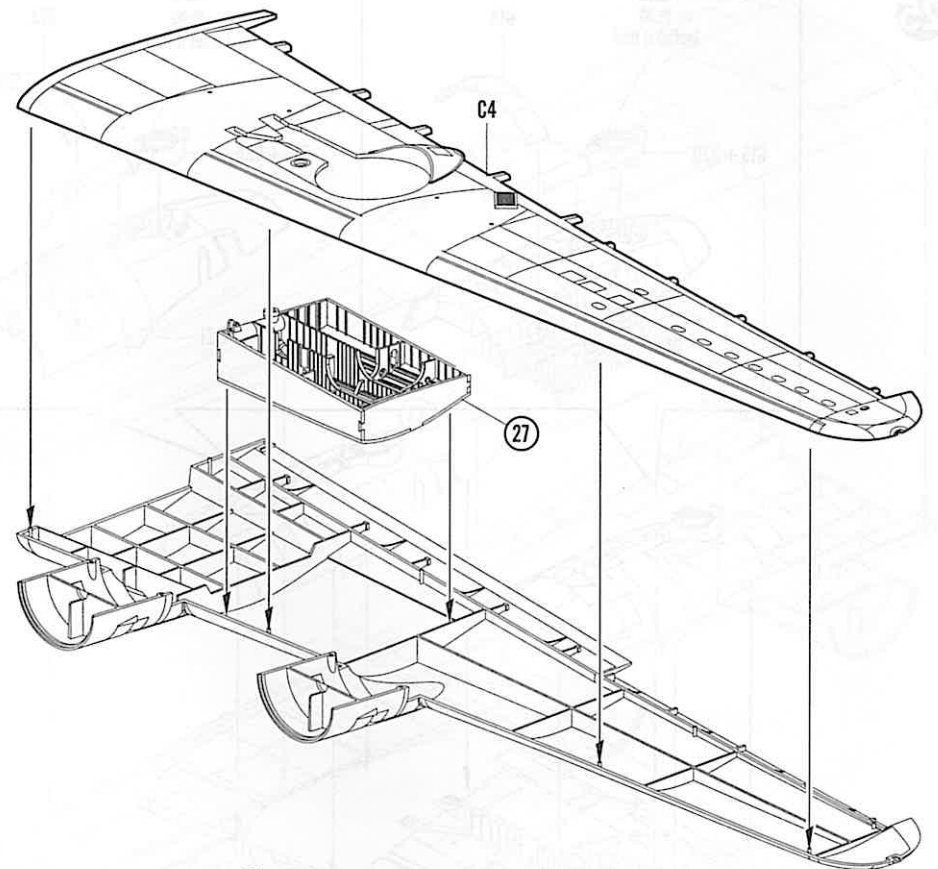
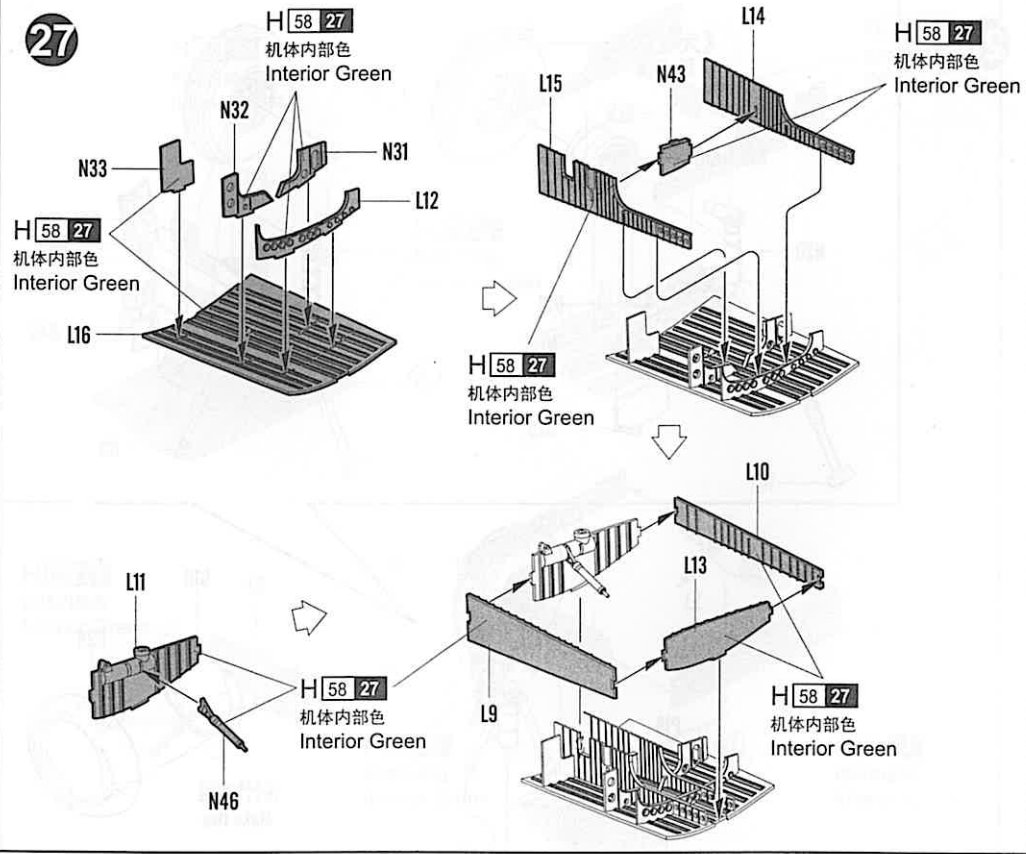
26

《大轮胎》
Big Tyre

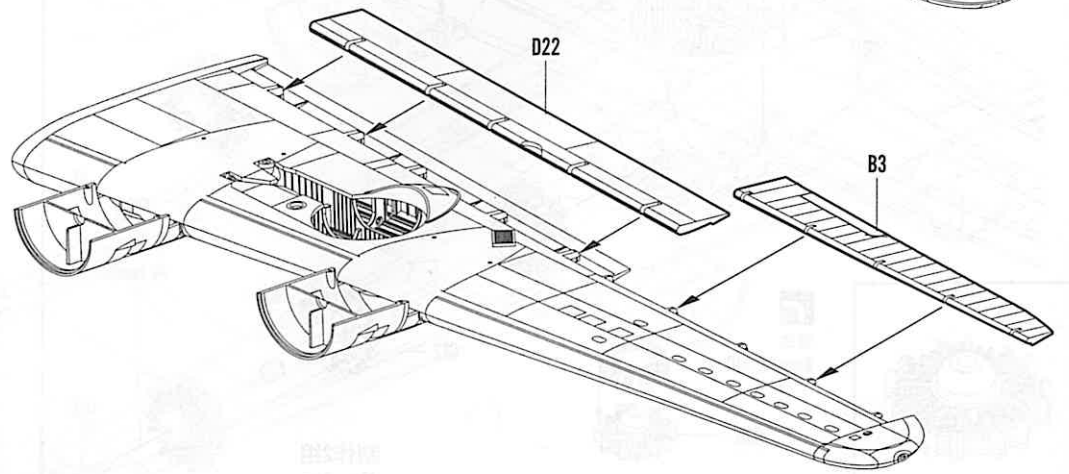
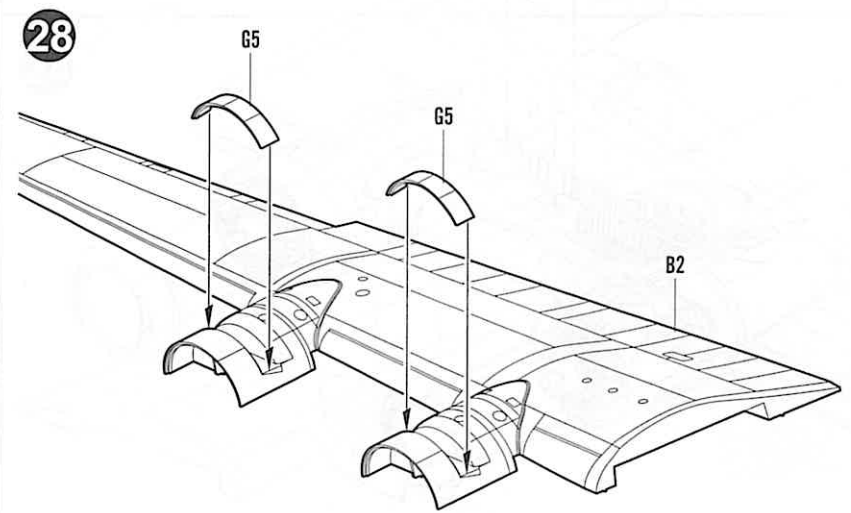


19

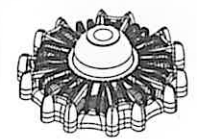
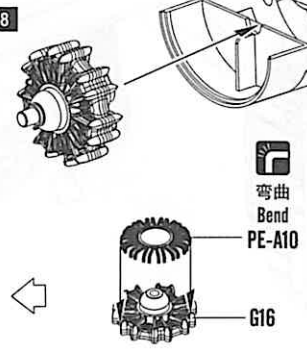
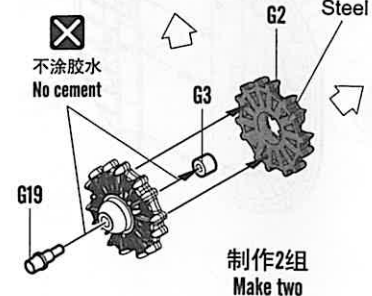
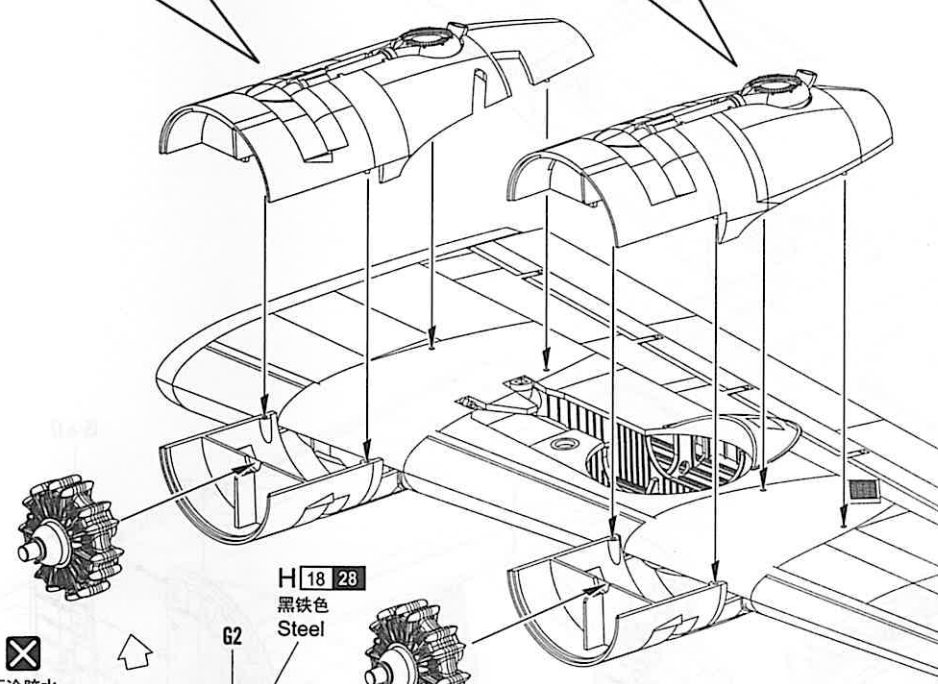
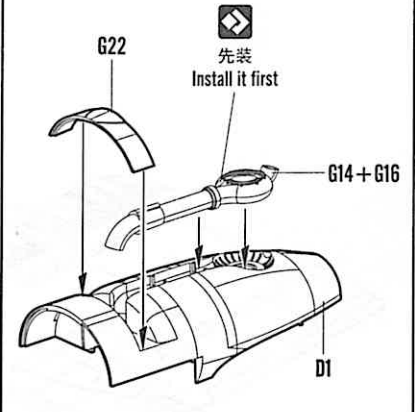
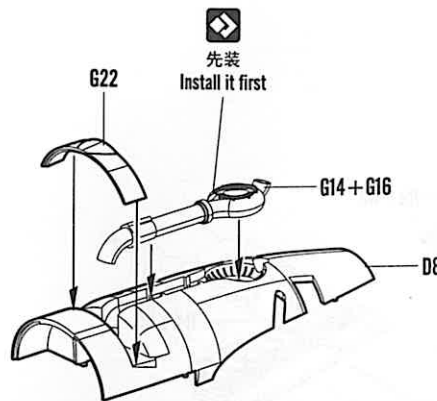
27



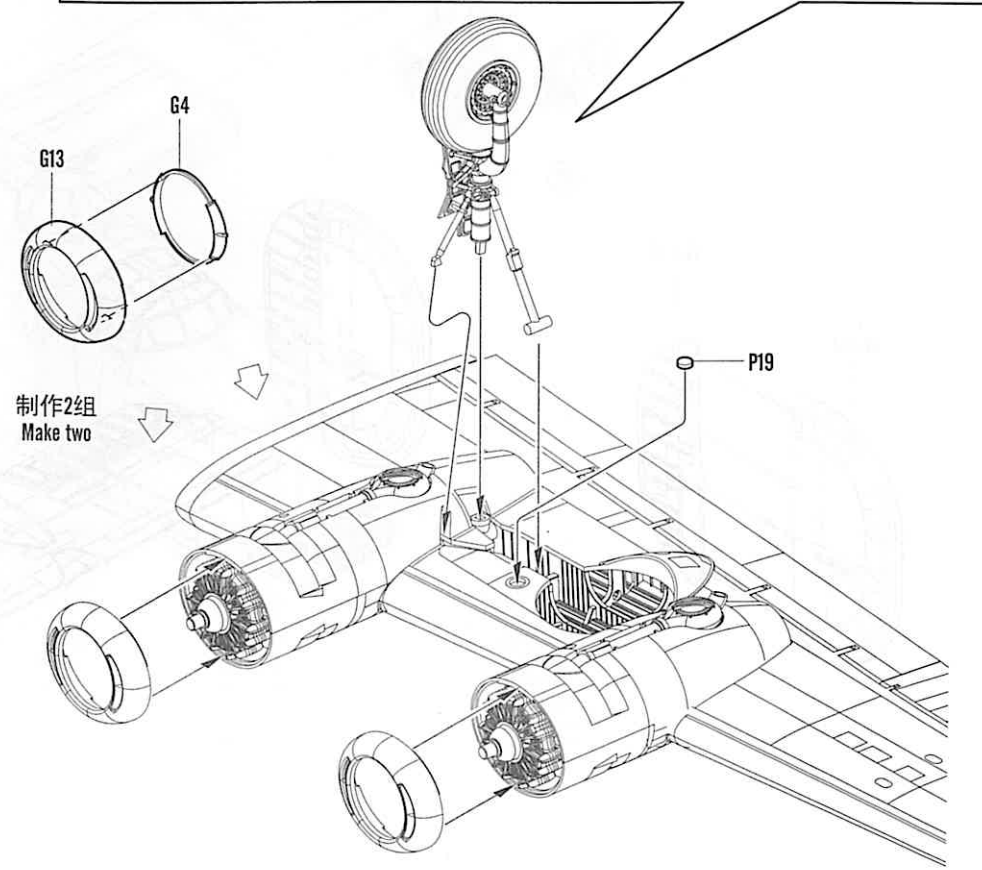
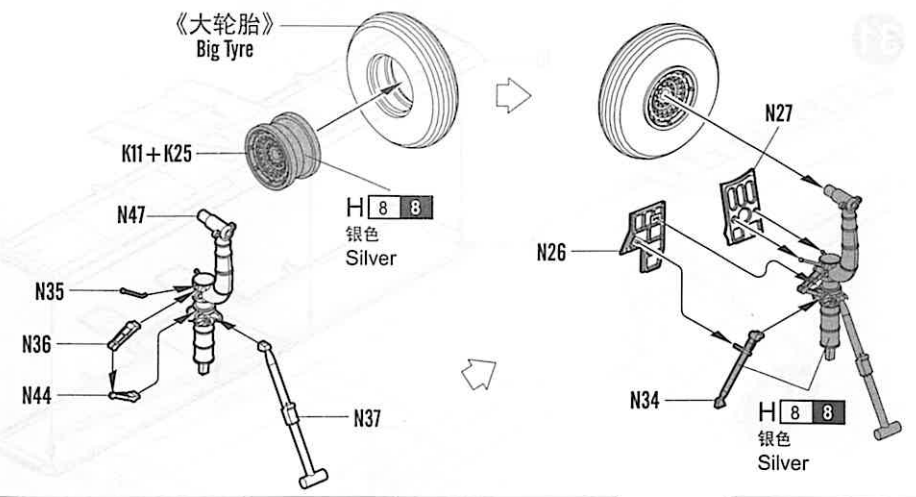
28



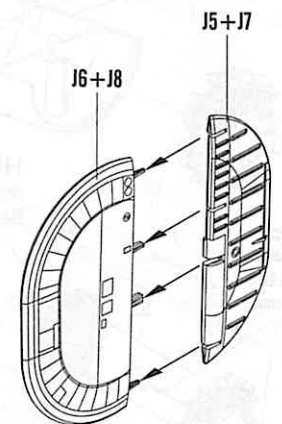
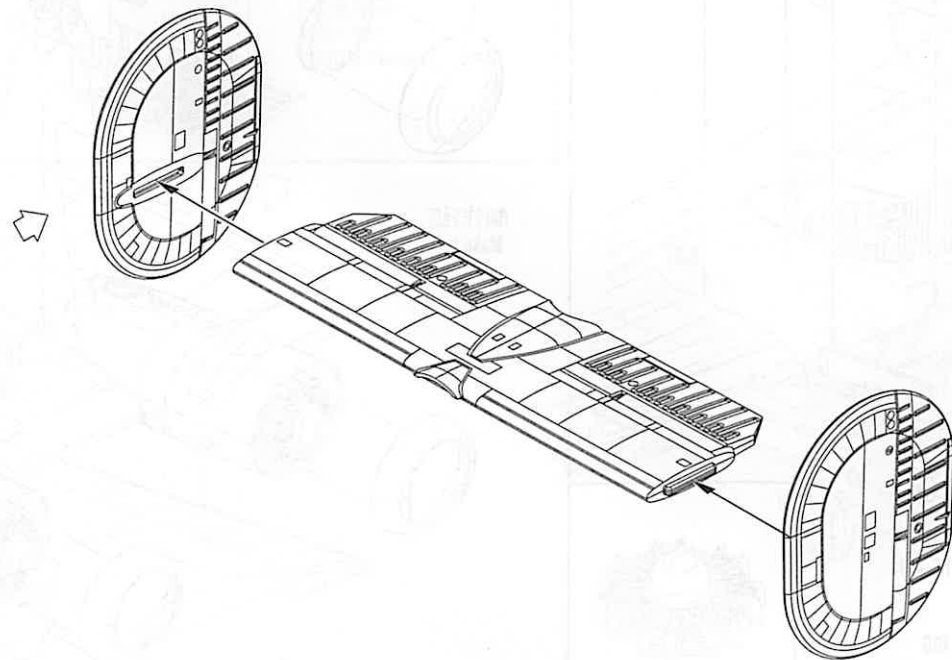
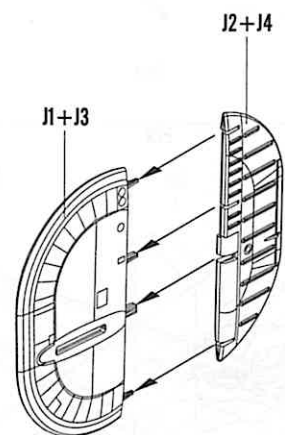
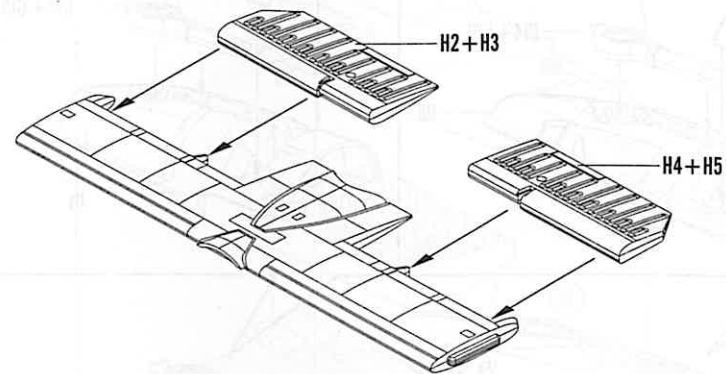
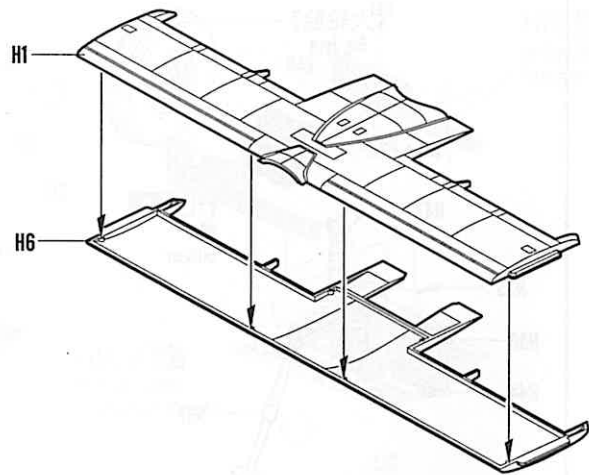
29

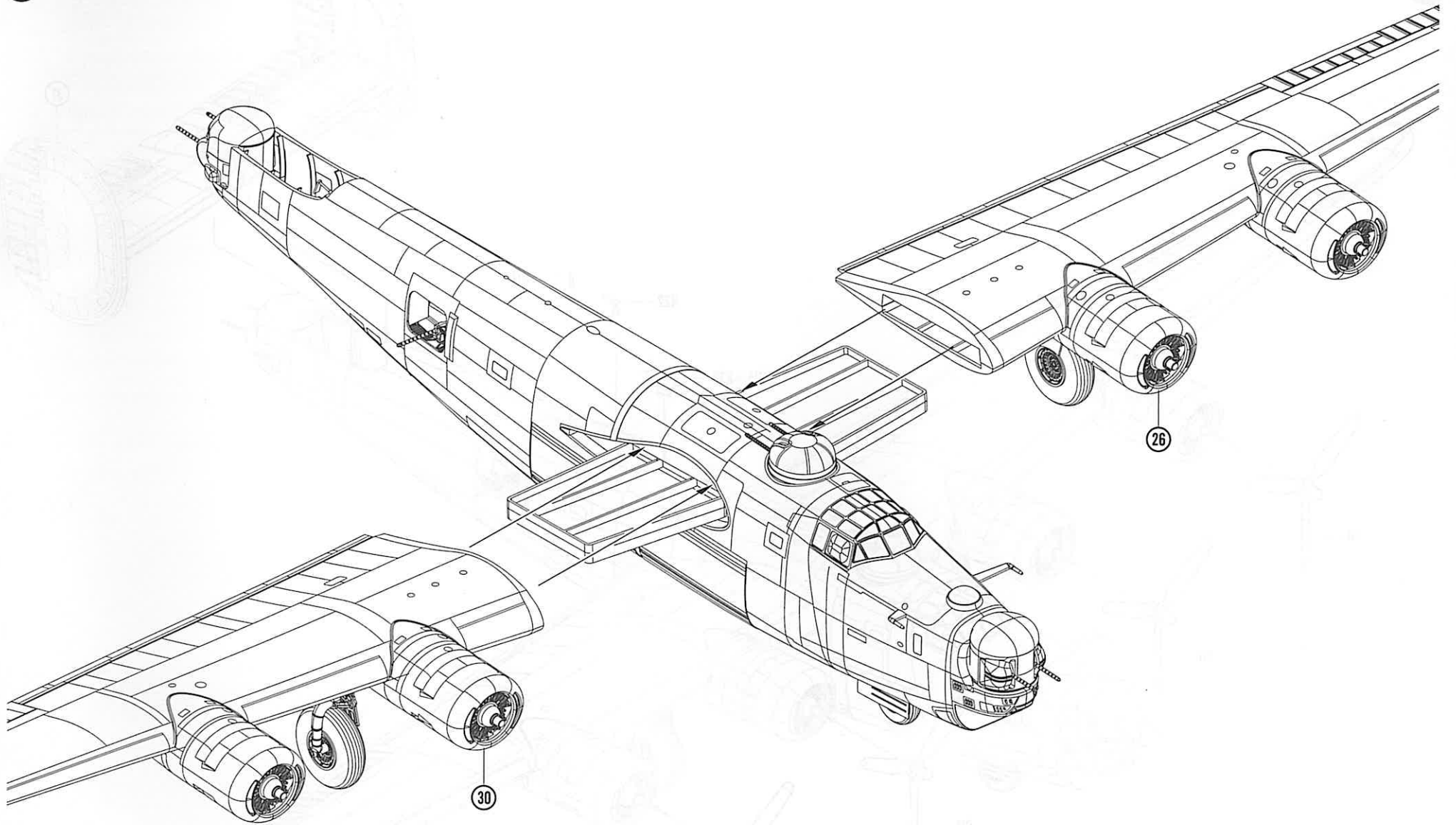


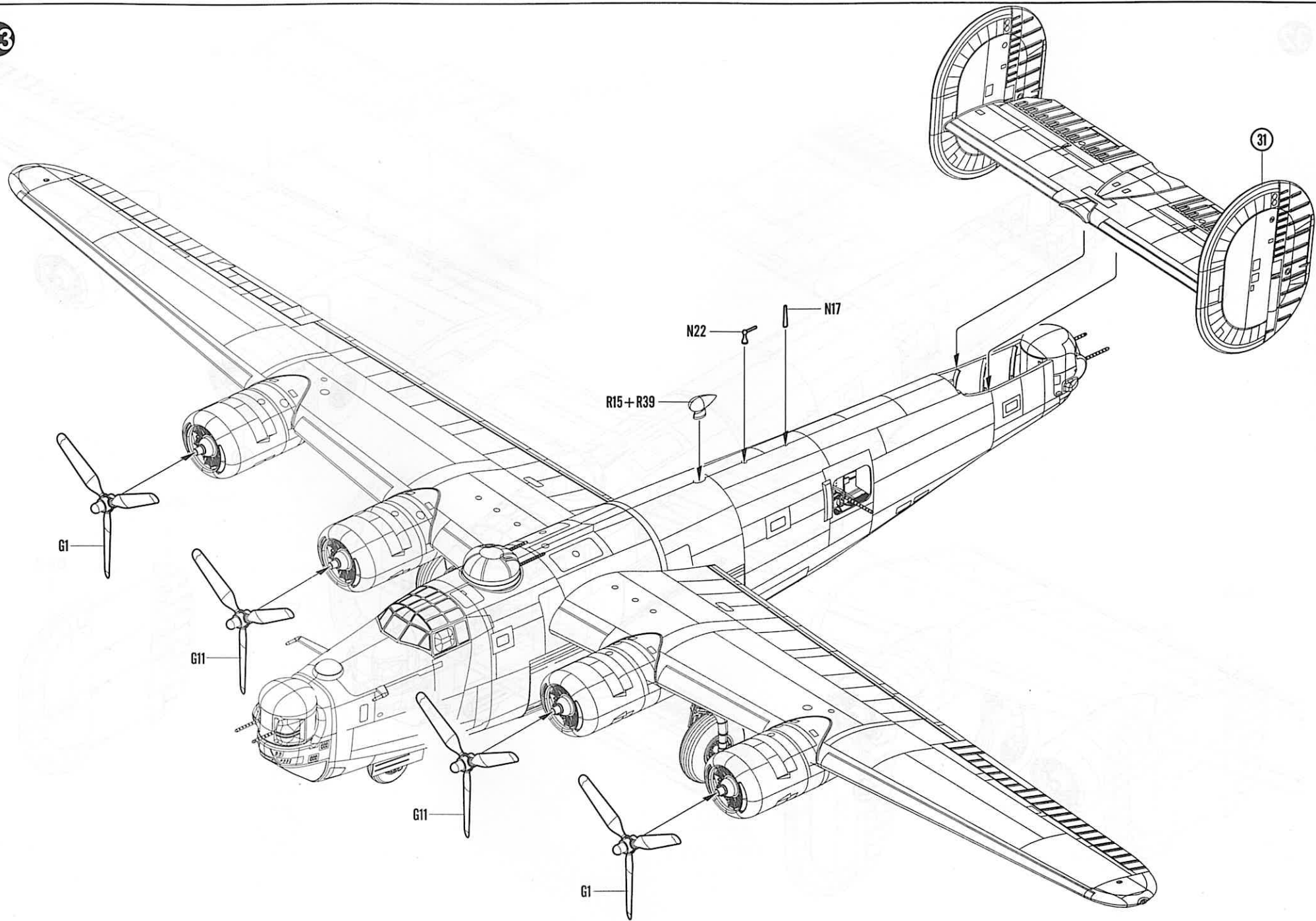
30

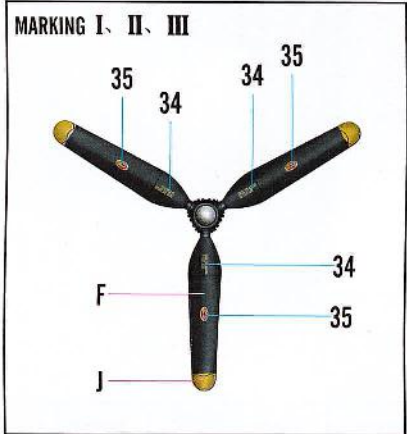
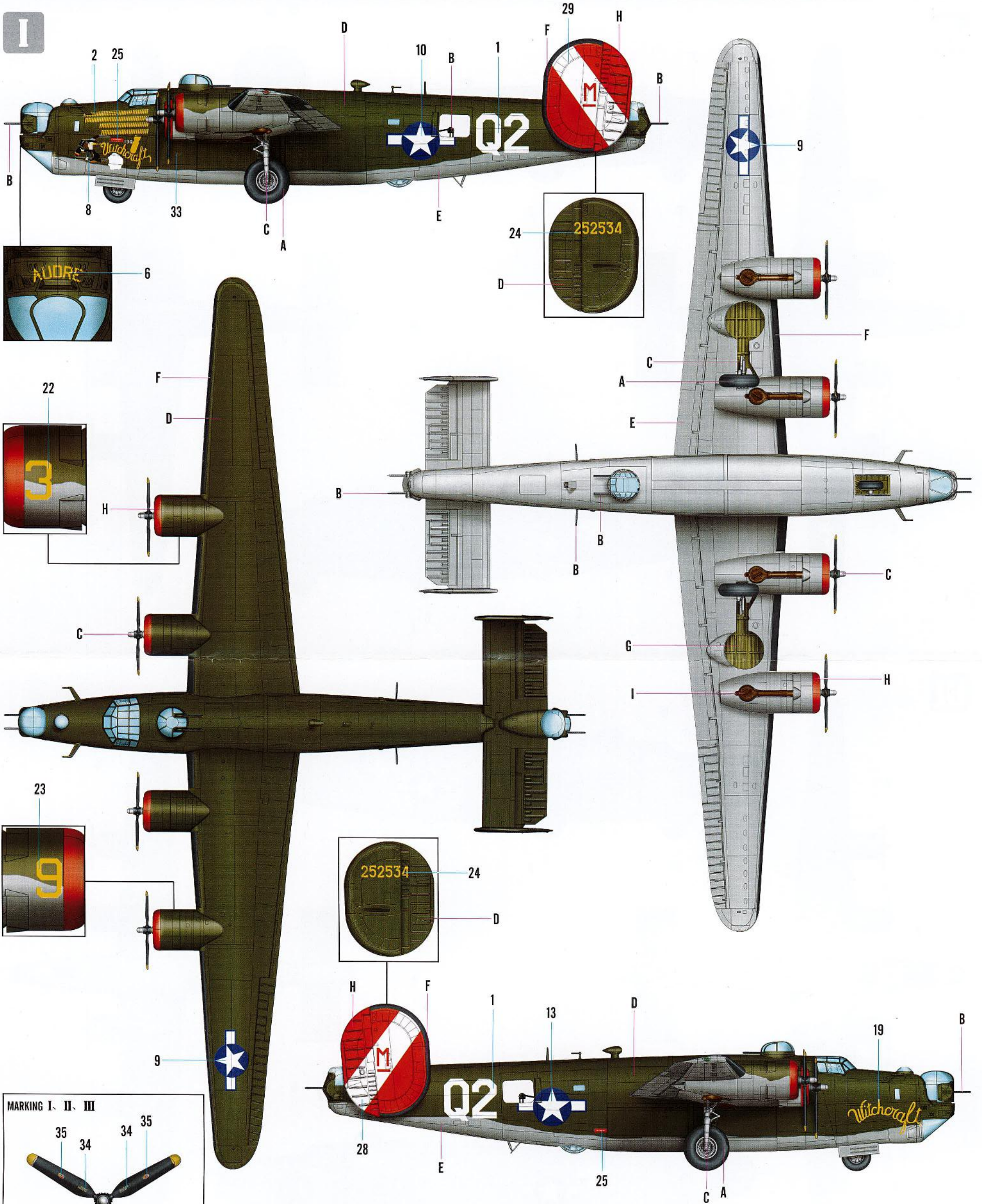


31









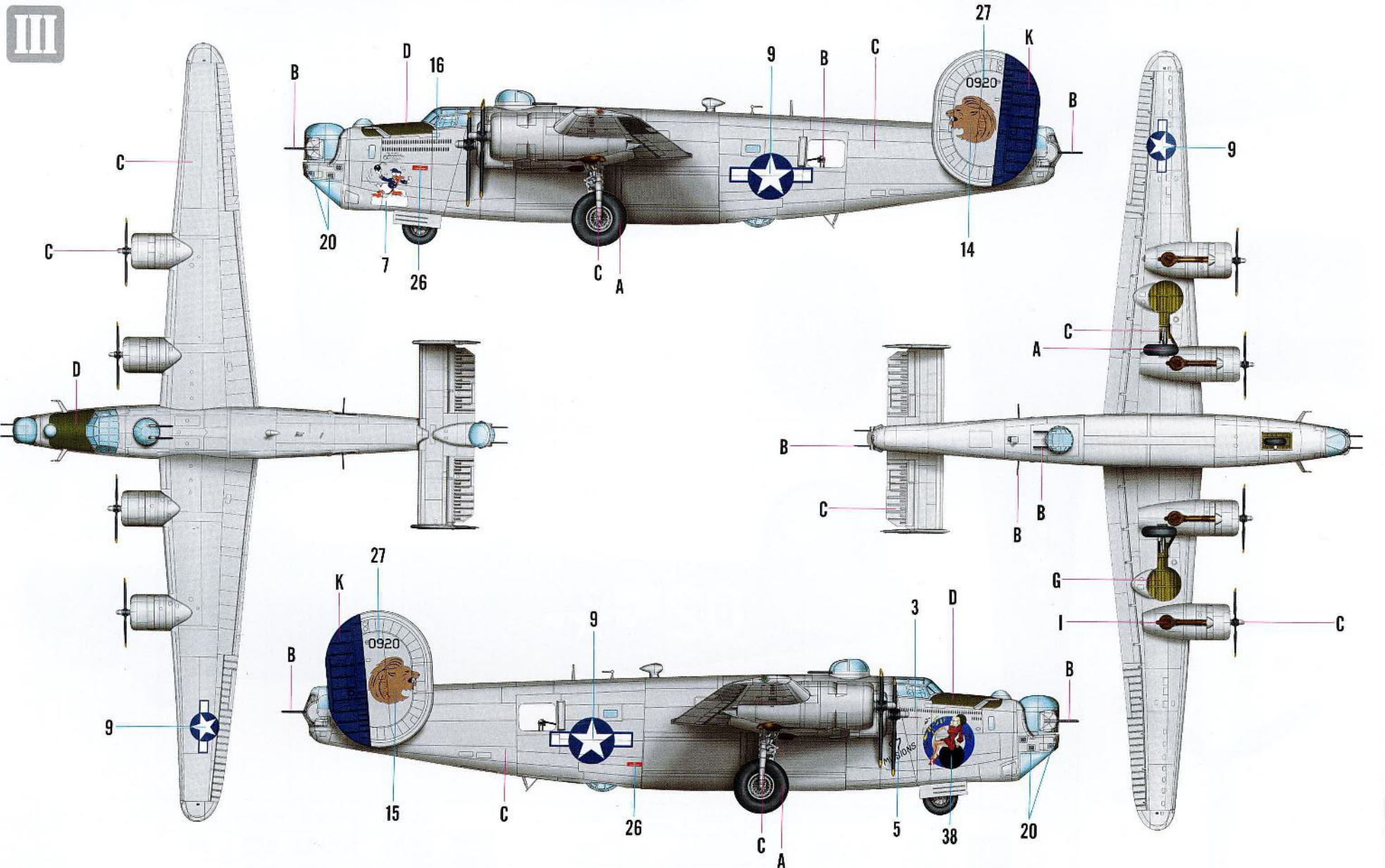
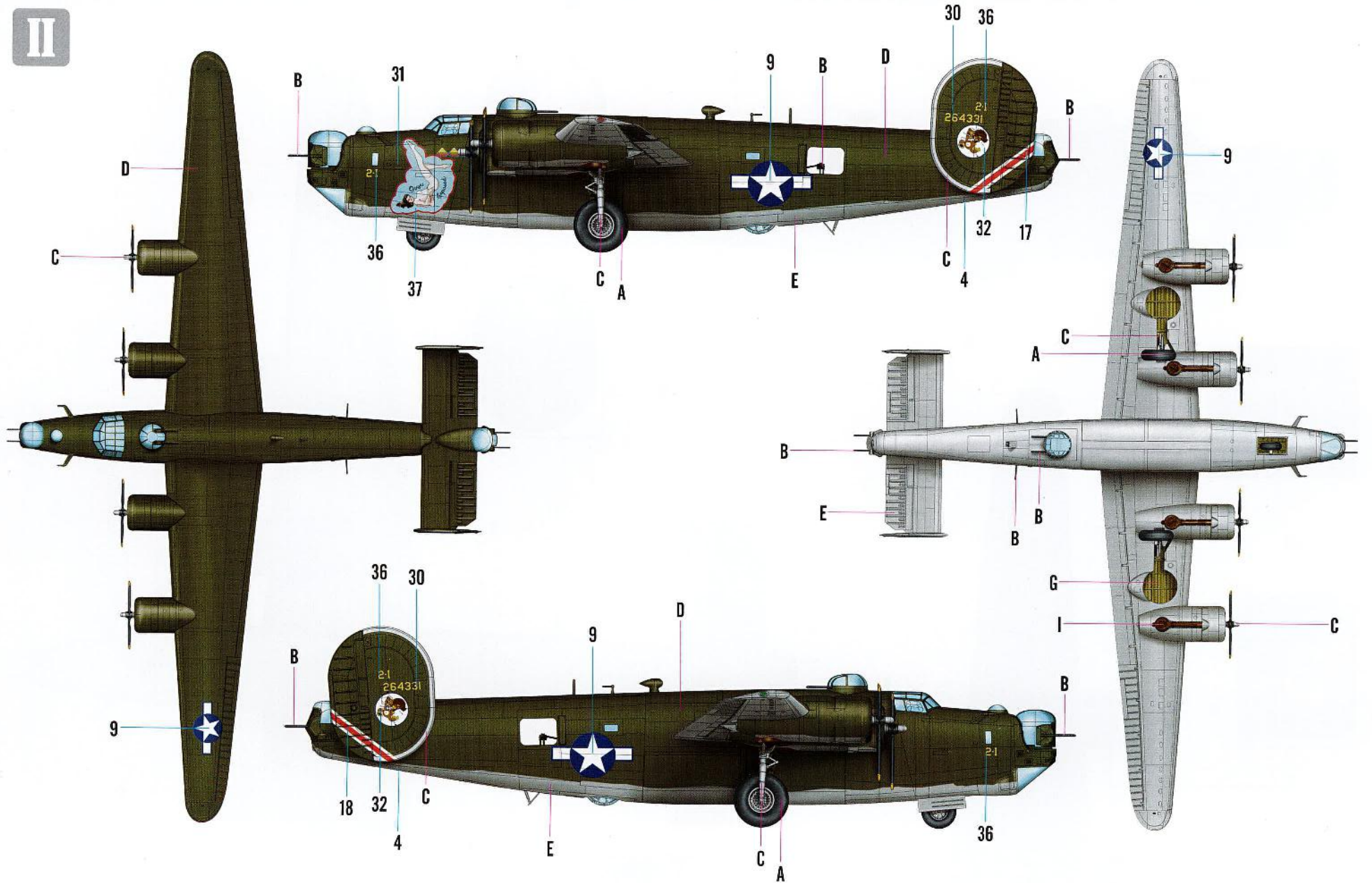
Color	Mr.Hobby	Acrycion	Vallejo	Model Master	Tamiya	Humbrol	Color	Mr.Hobby	Acrycion	Vallejo	Model Master	Tamiya	Humbrol
A 胎黑色 Tire Black	H 77 137	N 77	--	--	XF85	--	E 灰色 Neutral Gray	H 53 13	N 53	992	--	--	5
B 黑铁色 Steel	H 18 28	N 18	864	1402	XF84	--	F 消光黑 Flat Black	H 12 33	N 12	950	1749	XF1	33
C 银色 Silver	H 8 8	N 8	997	1546	X11	11	G 机体内部色 Interior Green	H 58 27	N 58	--	--	--	--
D 橄榄色 Olive Drab (1)	H 52 12	N 52	887	1711	XF62	155	H 红色 Red	H 3 3	N 3	908	1503	X7	19

NO.:81774

H AQUEOUS HOBBY COLOR Mr. COLOR N ACRYSION COLOR

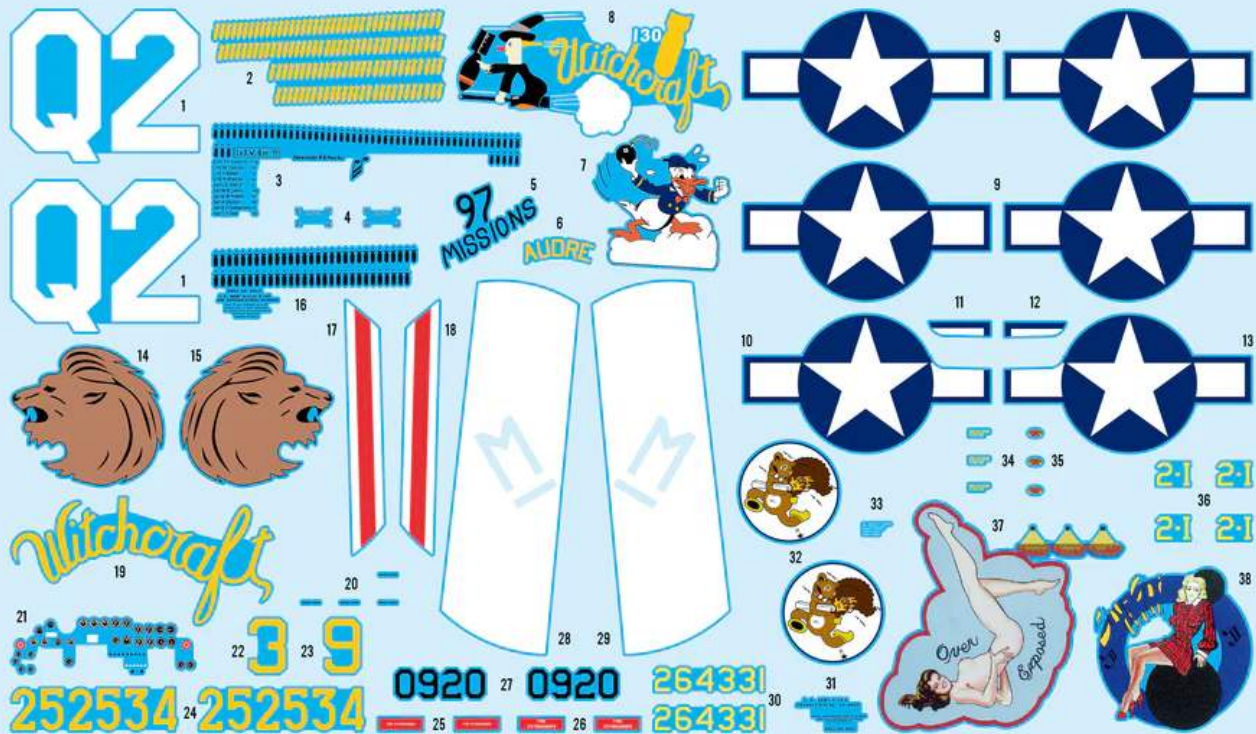
※ Some paints may not be available in your country. Please check your local hobby shop for substitute

II



Color	Mr.Hobby	Acrycion	Vallejo	Model Master	Tamiya	Humbrol	Color	Mr.Hobby	Acrycion	Vallejo	Model Master	Tamiya	Humbrol
I 烧铁色 Buent Iron	H 76 61	N 76	863	1795	X10	53	K 蓝色 Blue	H 5 5	N 5	899	1772	X3	15
J 黄色 Orange Yellow	H 329 329	N 329	--	1514	X8	188	H <input type="checkbox"/> AQUEOUS HOBBY COLOR <input checked="" type="checkbox"/> Mr. COLOR N <input type="checkbox"/> ACRYSION COLOR						

※ Some paints may not be available in your country. Please check your local hobby shop for substitute

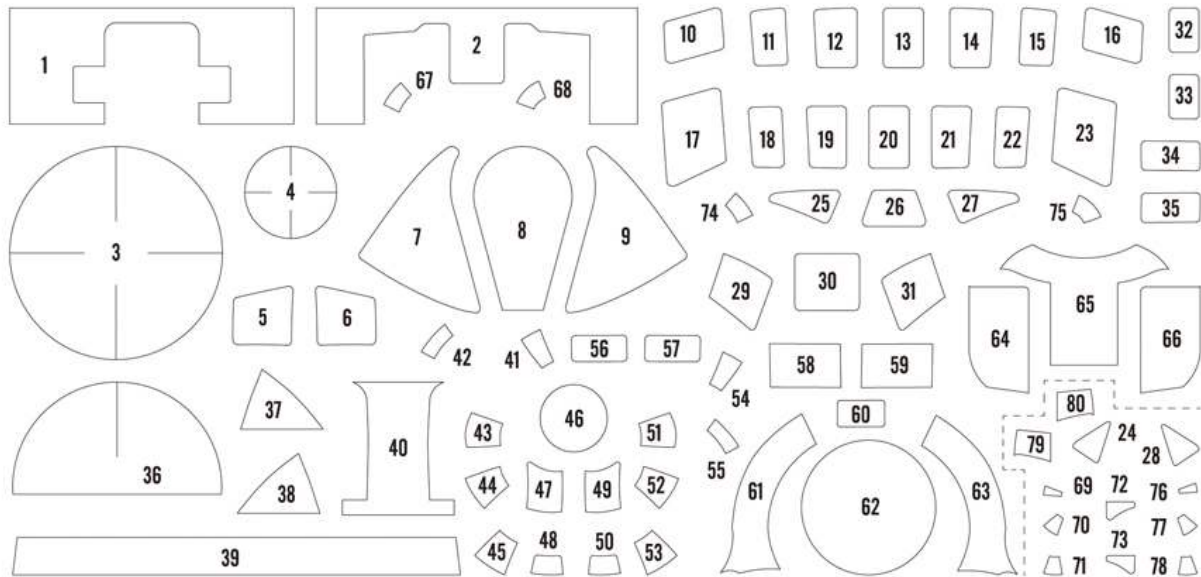


1:48 Scale US B-24J Liberator HobbyBoss NO..81774

250x155mm



14C



1:48 Scale US B-24J Liberator HobbyBoss NO..81774

