

M270/A1 Multiple Launch Rocket System - US

M270/A1多管火箭系统-美国

READ BEFORE ASSEMBLY:

- Study and understand these instructions thoroughly before beginning assembly
- When needed, remove photo-etch parts carefully using a modeling knife or photo etch sprue cutter, being careful not to damage or lose small parts.
- Take extra care in handling photo etch parts in order to avoid injury
- Apply instant cement sparingly to photo etch parts where instructed
- Tools recommended(not included in kit):Plastic and instant cements, sprue cutters,long nose pliers,modeling knife, small files, tweezers, pin vise & scissors. Soft cloth and sandpaper will also assist in construction
- Glue and paint are not included in the kit. Use plastic cement and hobby paints only. Color guide for purchasing paint is included in the kit.

装配之前仔细阅读

- 小心用模型锉刀锉平所有零件表面的注射浇口。
- 小心用刀片切下蚀刻片零件，不要遗失小零件。
- 用强力快干胶水粘合蚀刻片零件和金属轴。过量快干胶水使用可能导致可动零件会粘住，小心涂胶。
- 取蚀刻片时应特别注意安全，防止利边划伤手指。
- 某些零件表面需贴上水贴纸，请选择在装配的同时进行。
- 推荐模型工具(自备)：胶水，水口剪刀，长咀钳，刀片，锉刀，镊子，钳，钻，剪刀，瞬间快干胶。
- 软布同砂纸同时也应该是必备工具。
- 请使用塑料胶水和油漆，模型内不含。



配重
Weight



使用强力胶
Cyanoacrylate glue



钻孔
Make hole



切除
Cut / Remove



贴纸
Decal



锉平
File / Sand



选择
Option



不涂胶水
No cement



弯曲
Bend



先装
Install it first

水贴纸的使用:

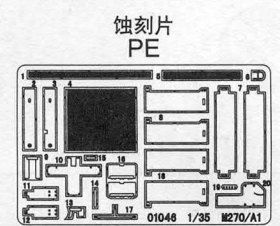
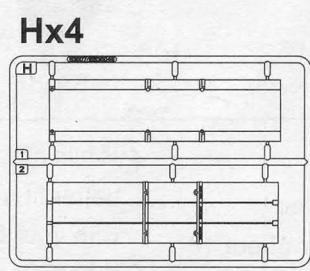
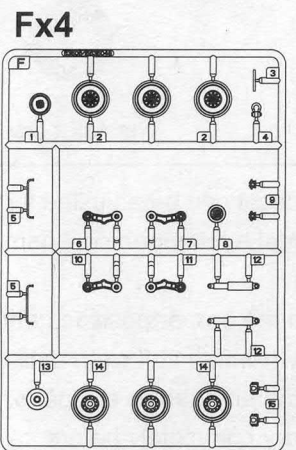
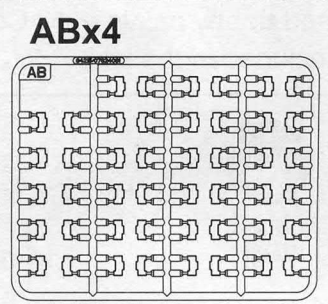
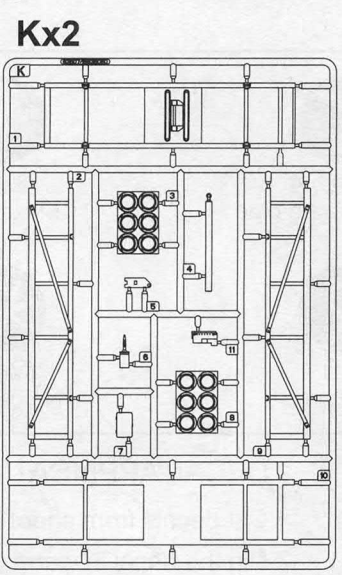
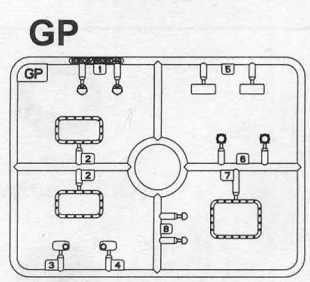
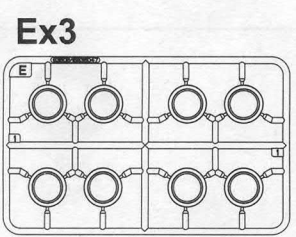
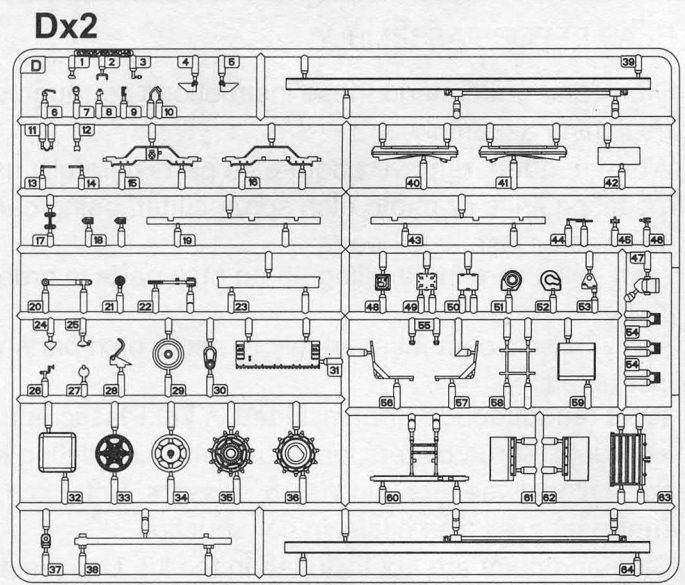
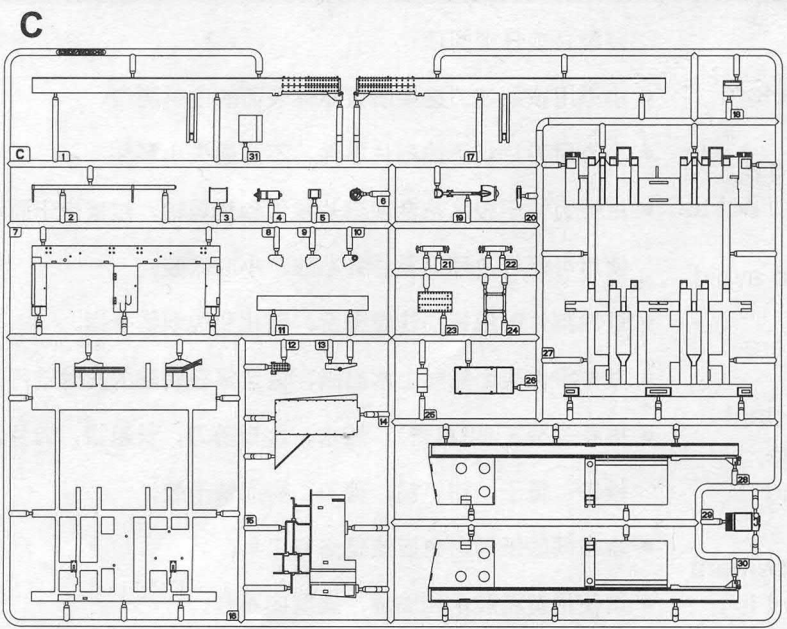
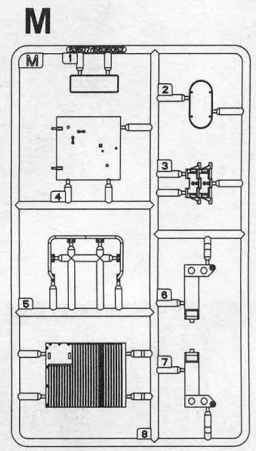
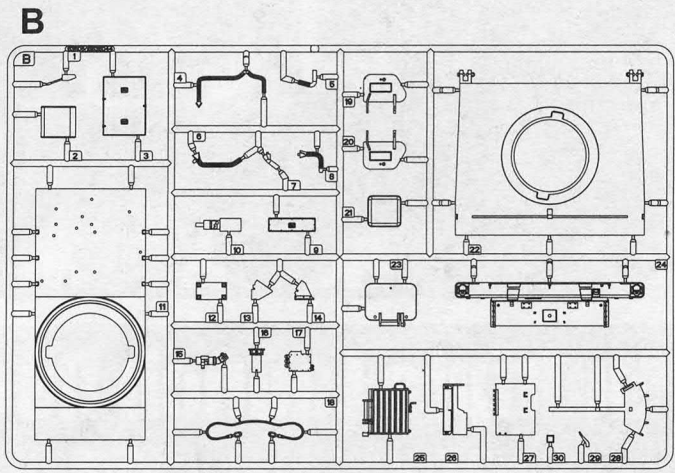
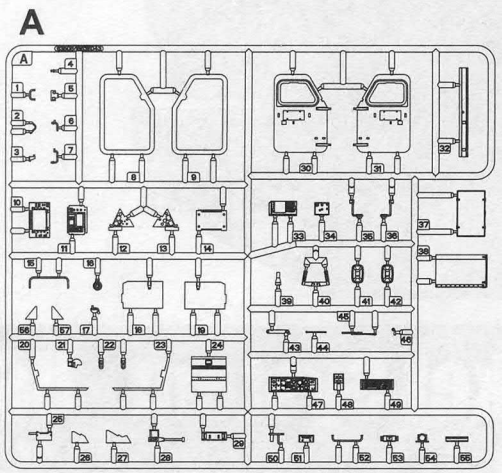
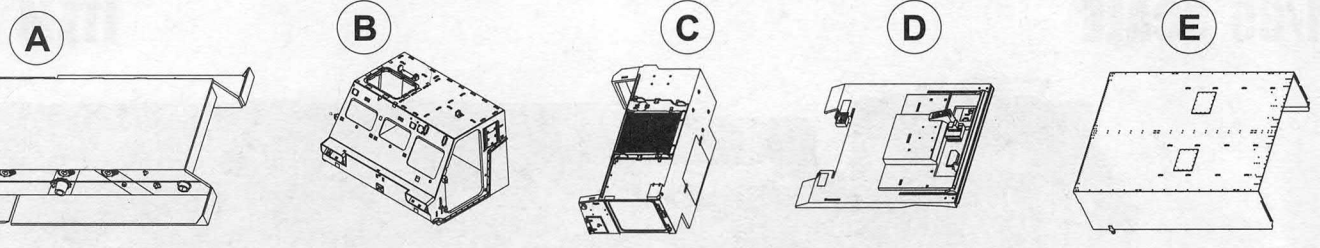
- 1.从水贴纸上剪下印花;
- 2.将印花放入温水中浸10秒, 然后放在干净布上。
- 3.拿着印花纸板将印花移到模型上;
- 4.手指蘸水将印花移到适当的位置;
- 5.用软布轻压印花直至水干, 汽泡消失

DECAL APPLICATION

- 1.Cut decals from sheet as needed
- 2.Dip the decal in warm water for about 10 seconds and then place on soft clean cloth.
- 3.Hold the decal backing sheet edge and gently slide the decal onto the model in its proper position.

- 4.While still wet,decal can be adjusted for better fit on model by dampening it gently with your finger.
- 5.When placed in the proper position,gently press decal down with a soft cloth until excess water and air bubbles are gone.
- 6.Allow decal to dry completely before handling model

部品图
Parts

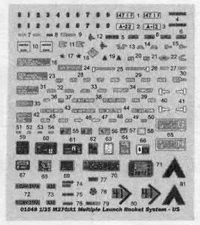


《履带版》x92
Track

《不锈钢管》x2
Metal tube $\varnothing 3.2 \times \varnothing 2.9 \times 42\text{mm}$

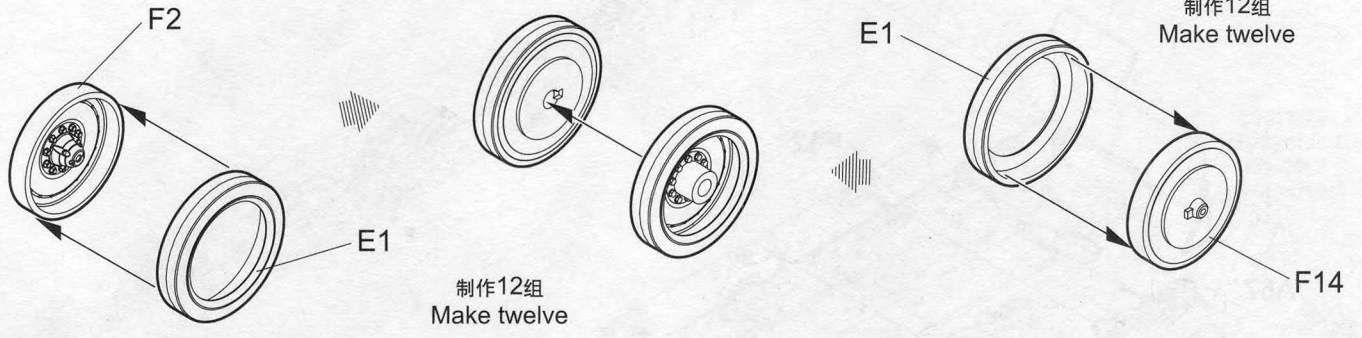


《水贴》
Decal

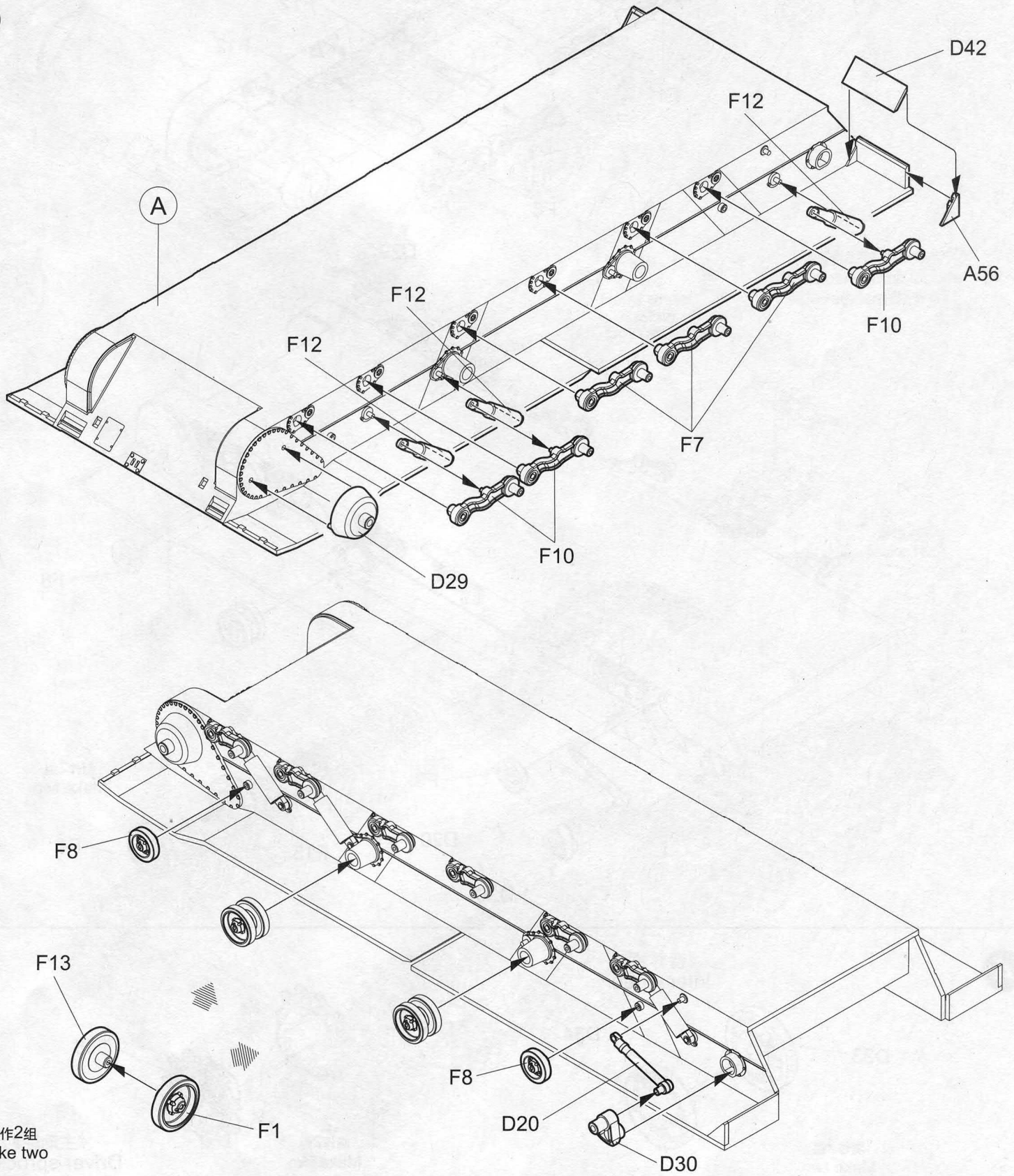


1

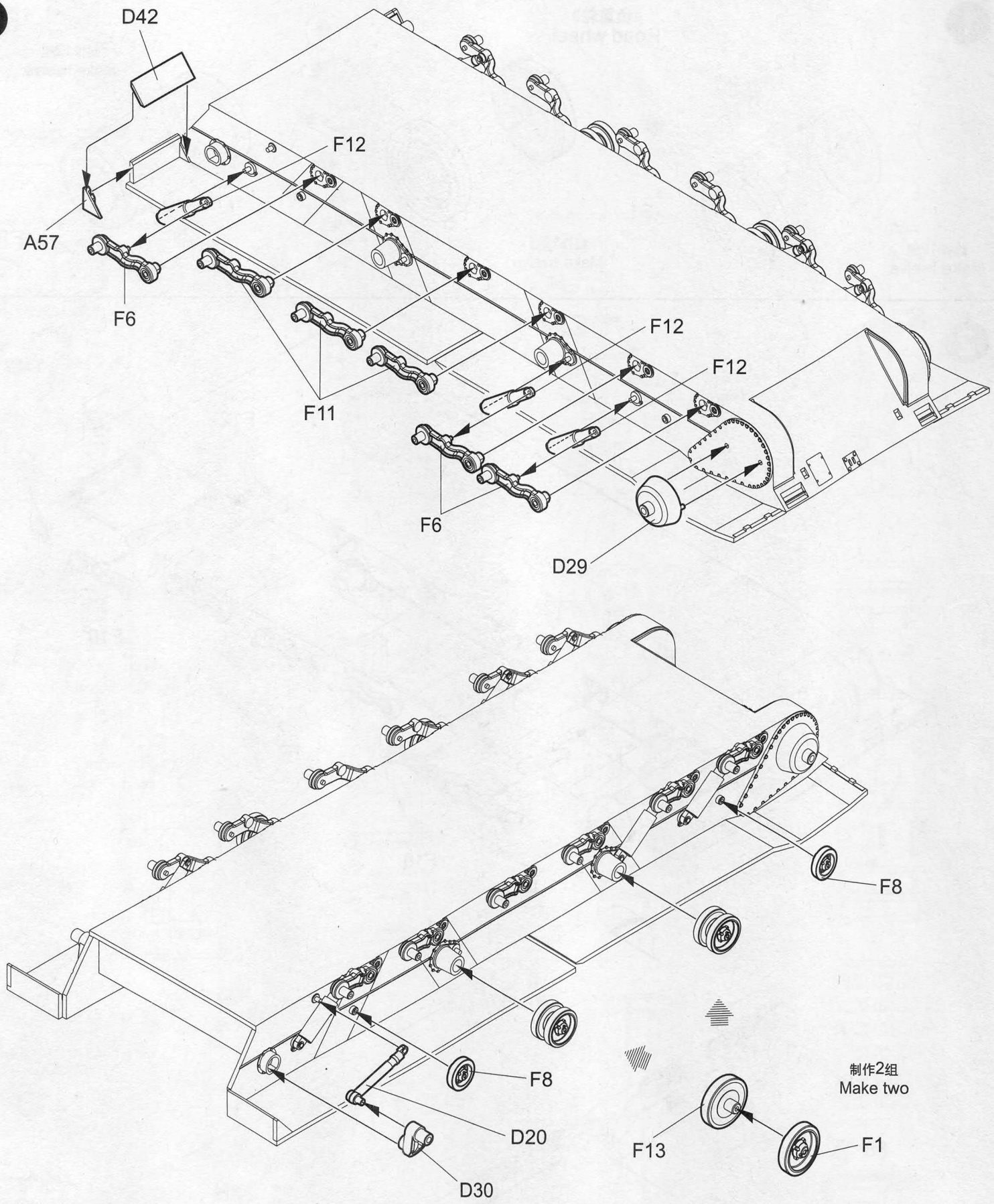
《负重轮》
Road wheel



2

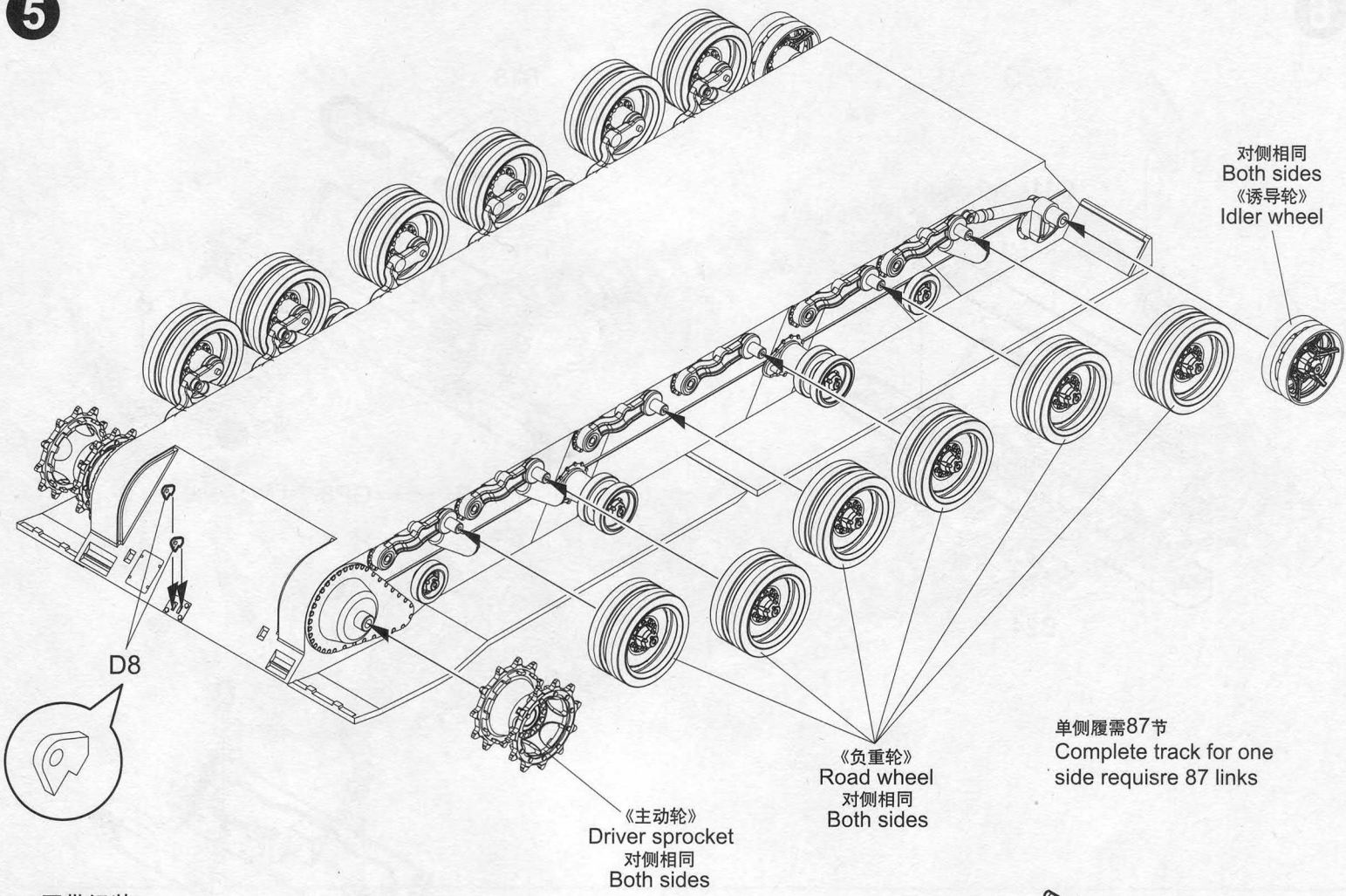


3



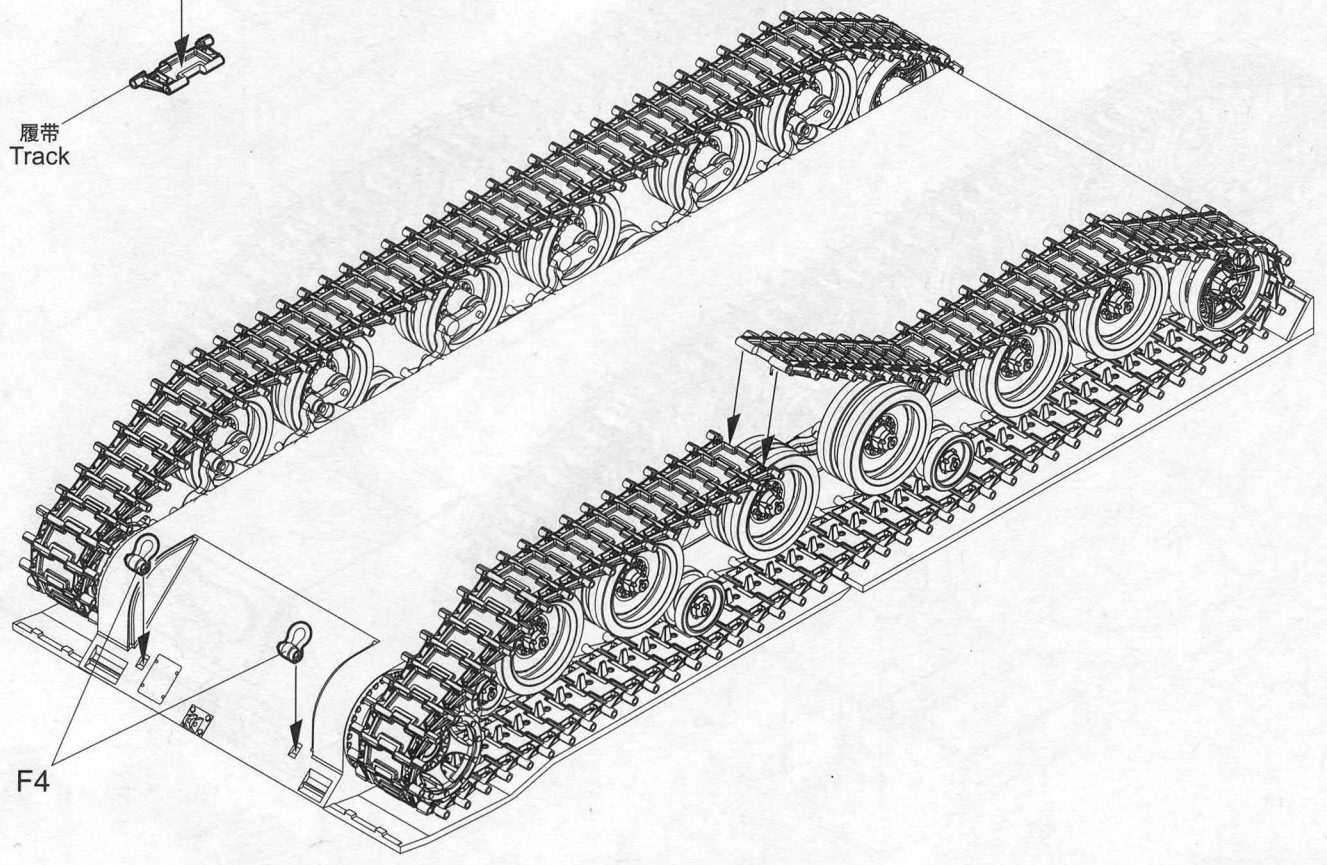
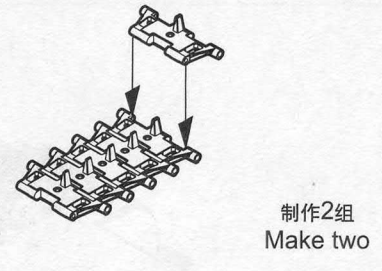
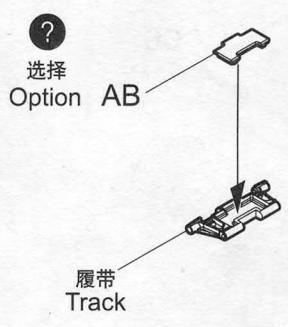
4



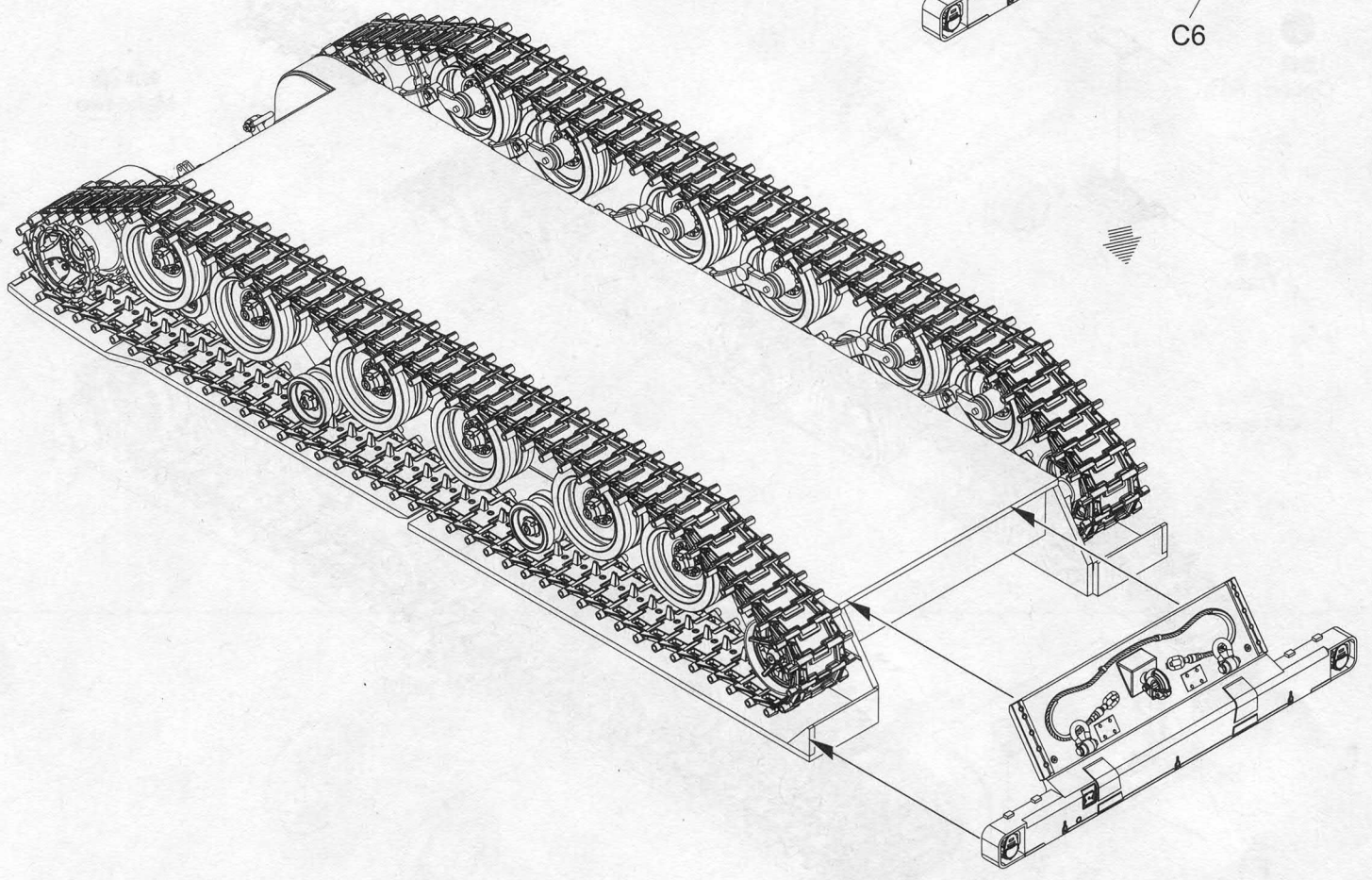
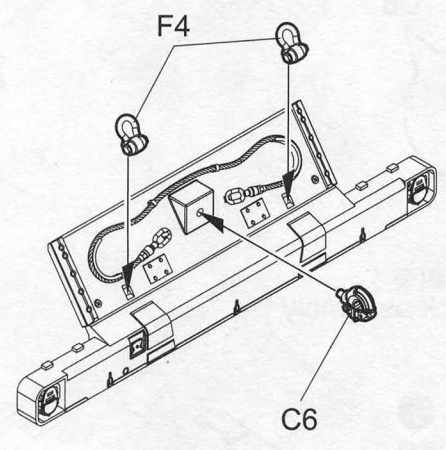
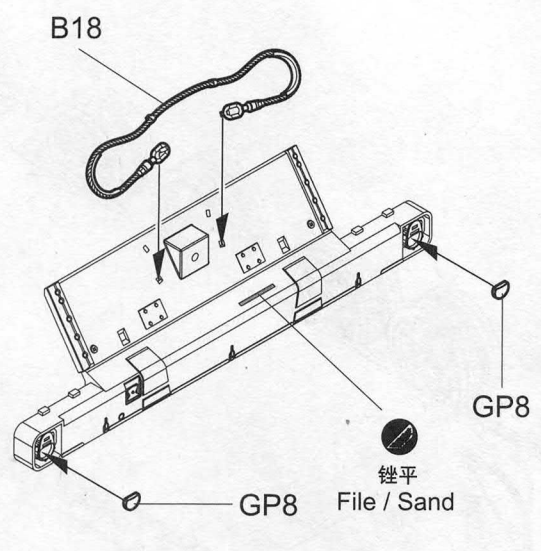
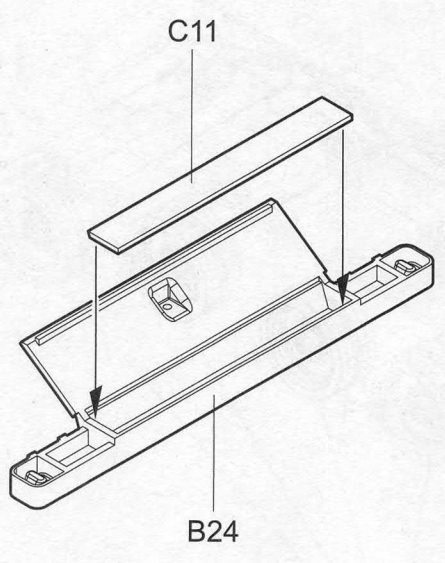


单侧履需87节
Complete track for one side require 87 links

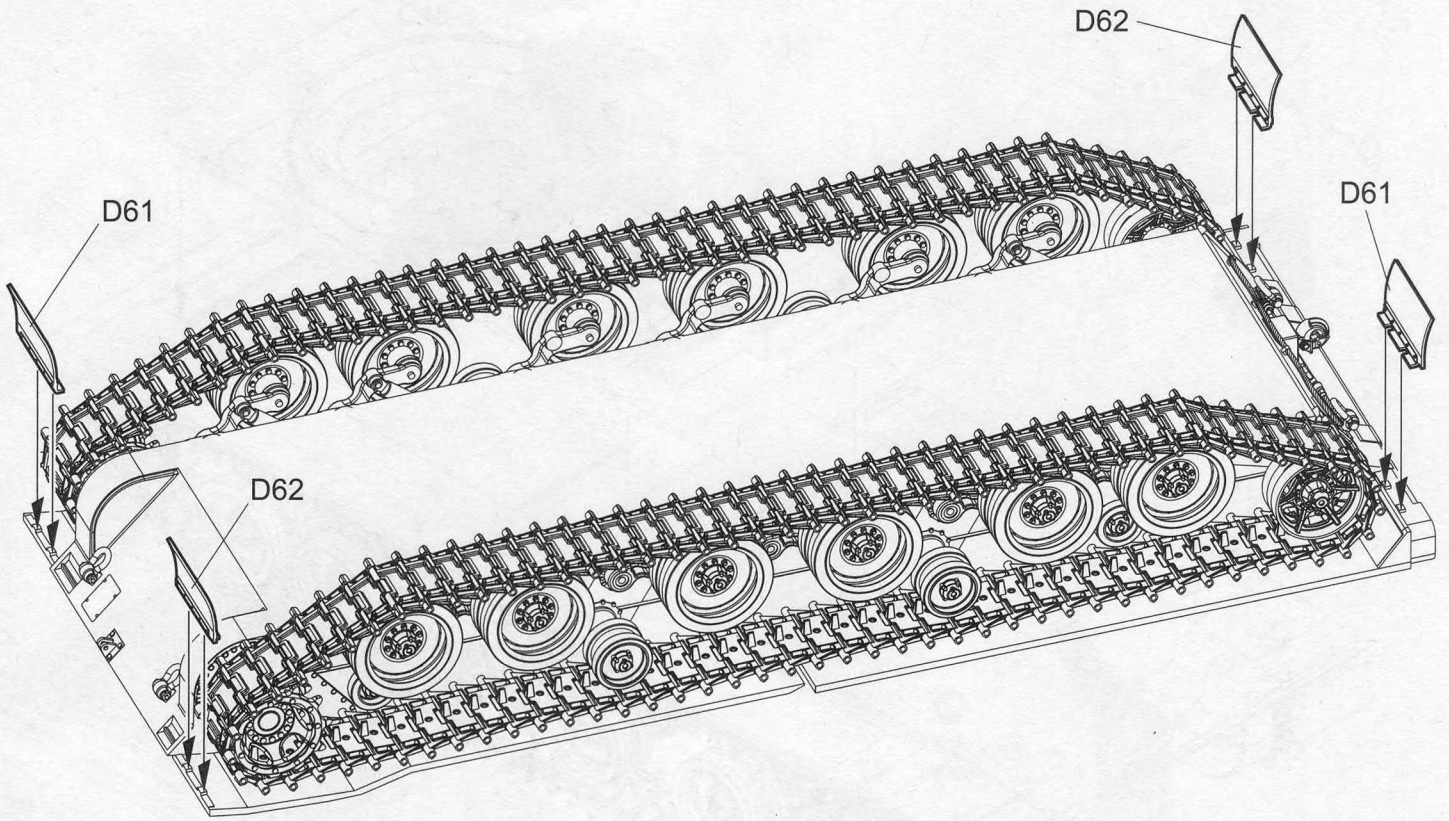
履带组装
Track assembly



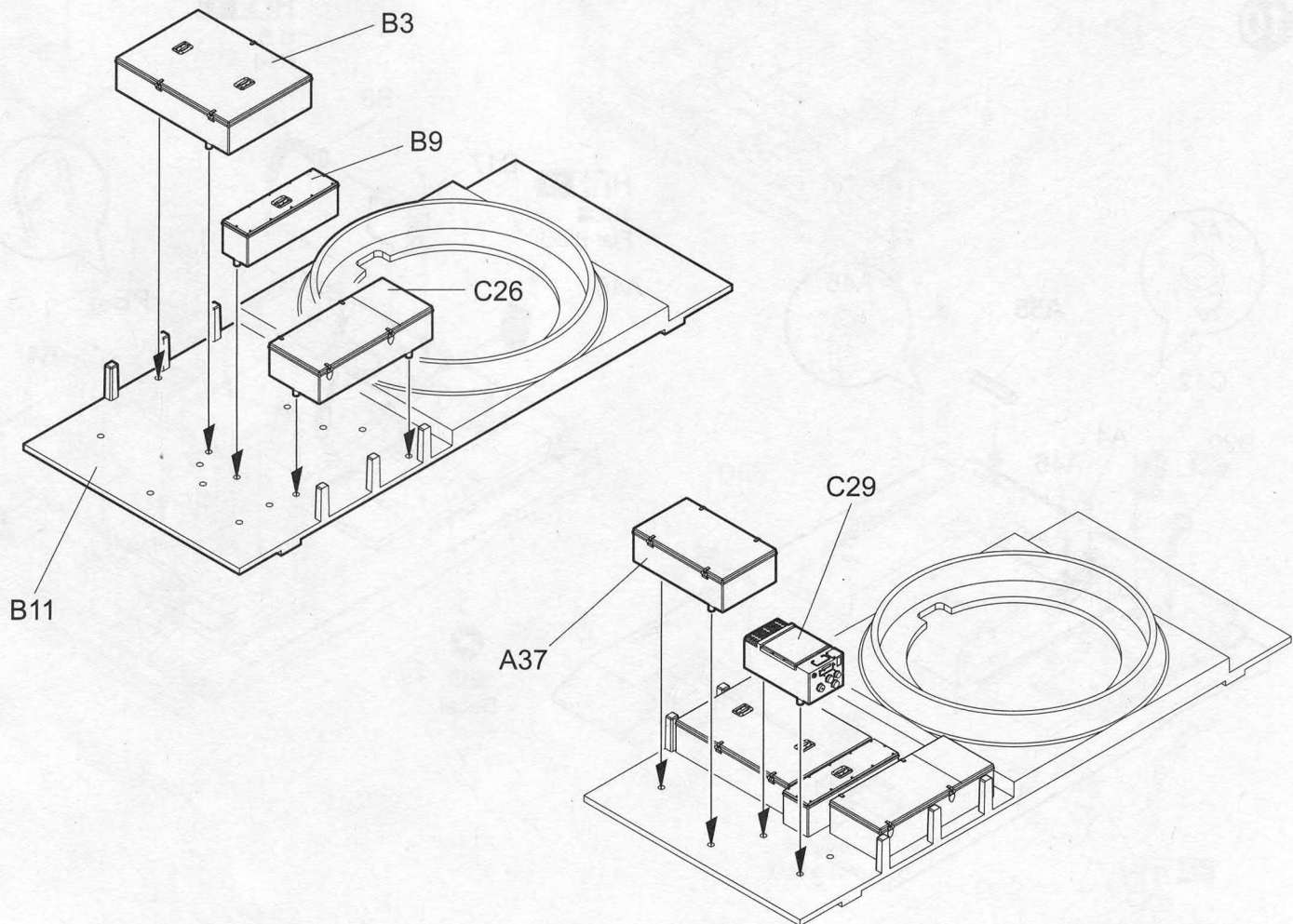
F4

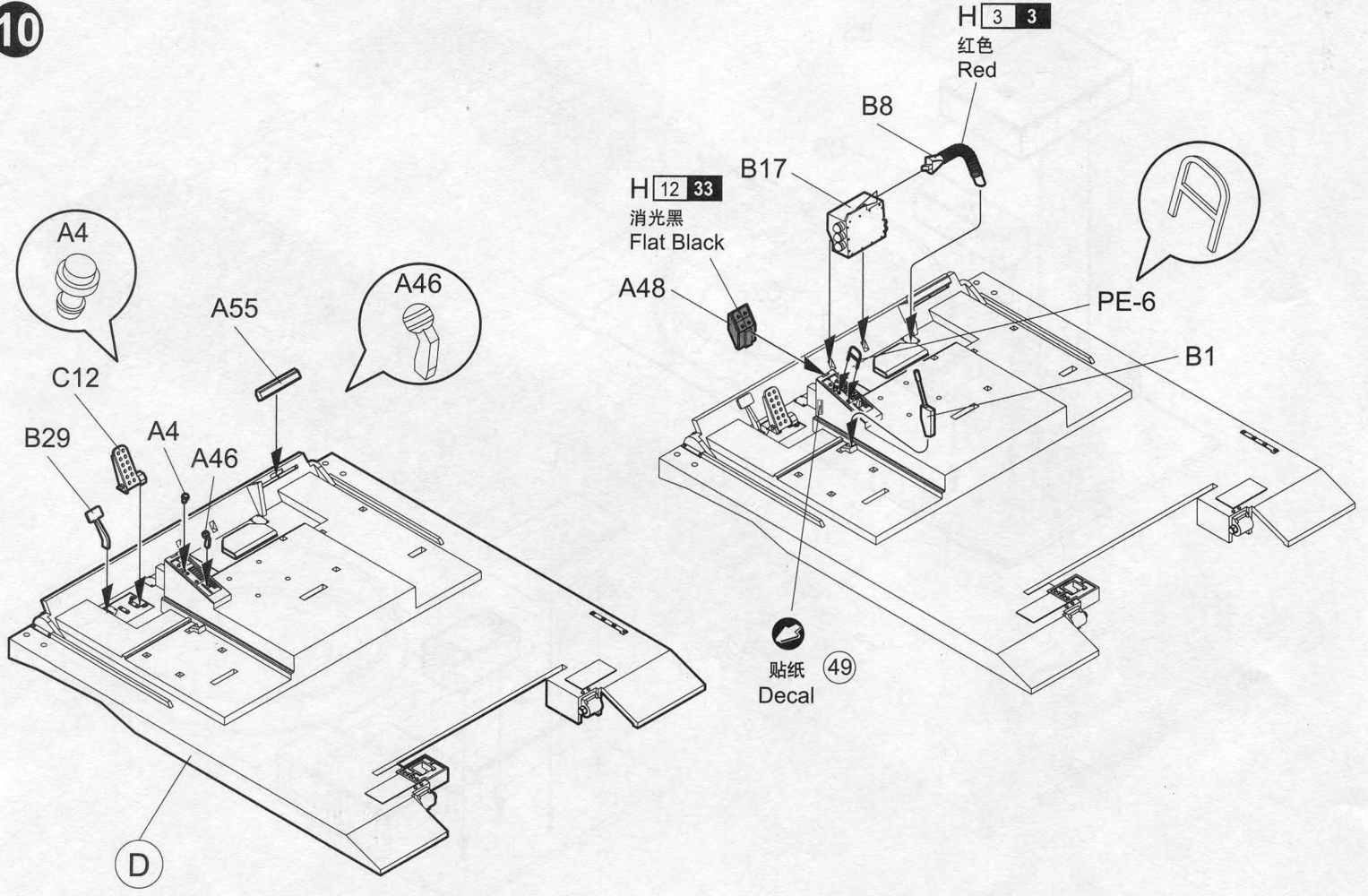
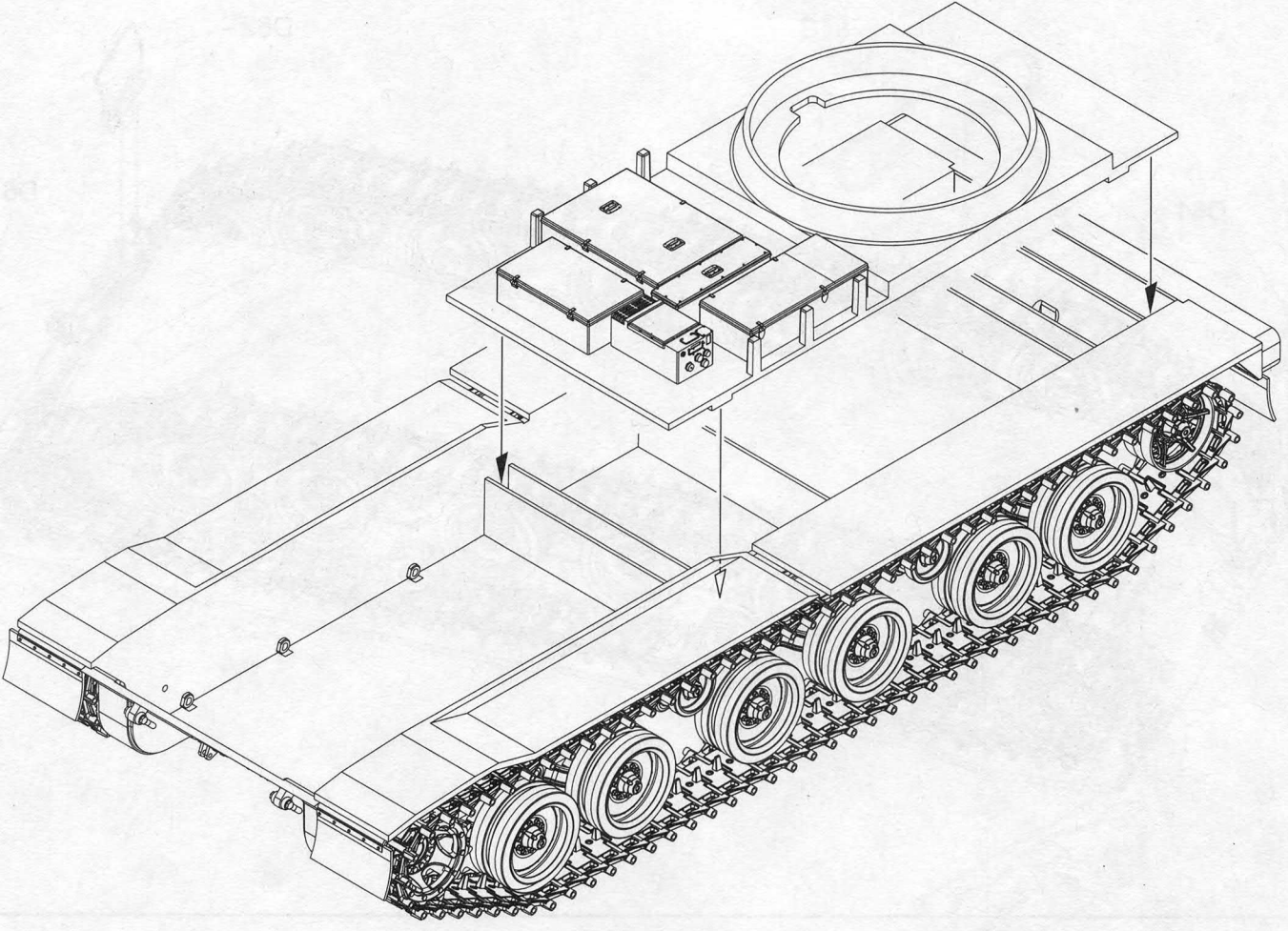


7



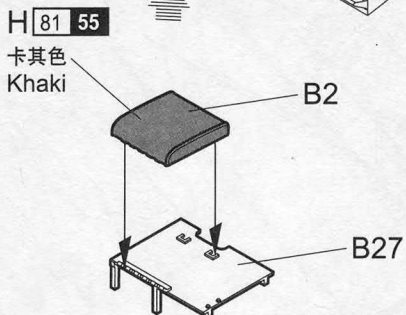
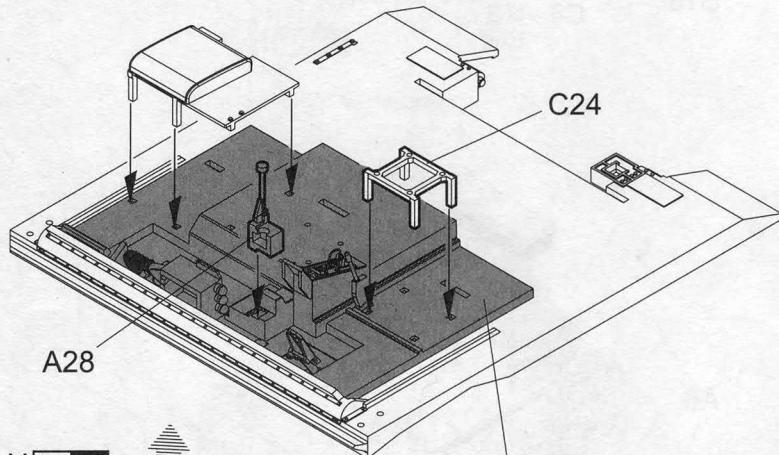
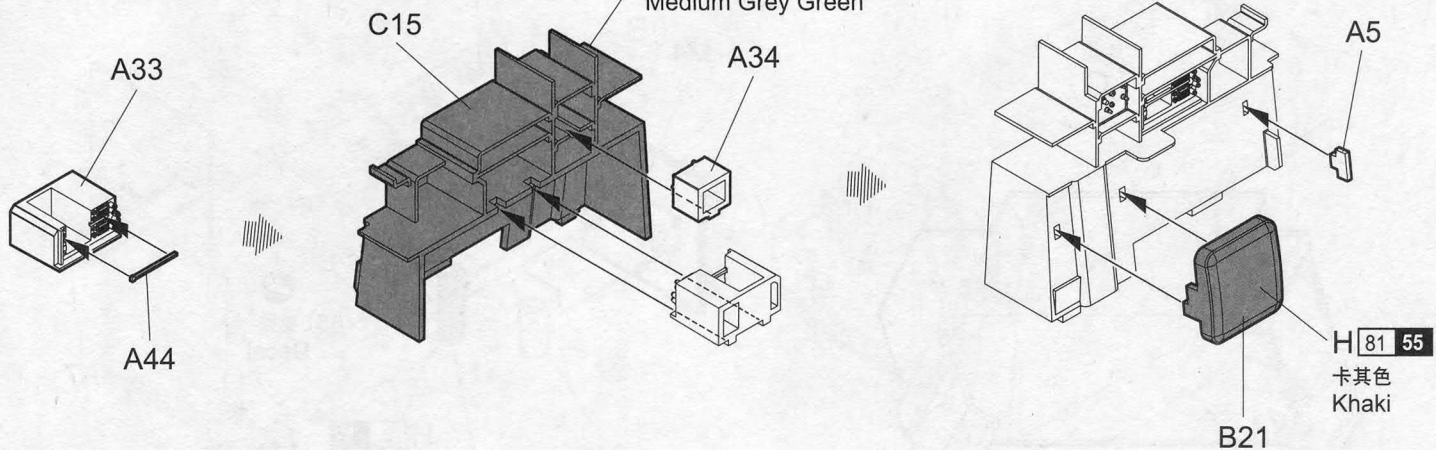
8



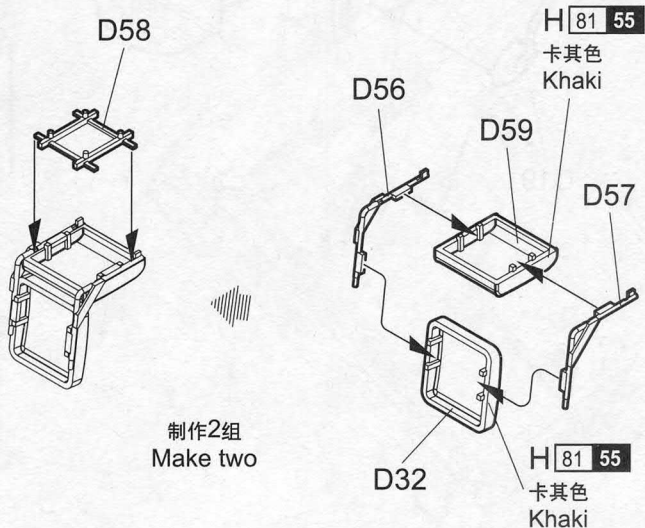
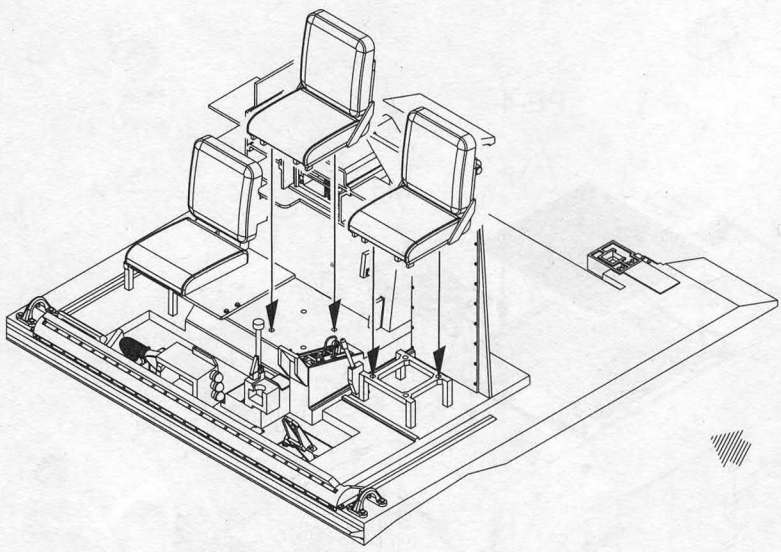
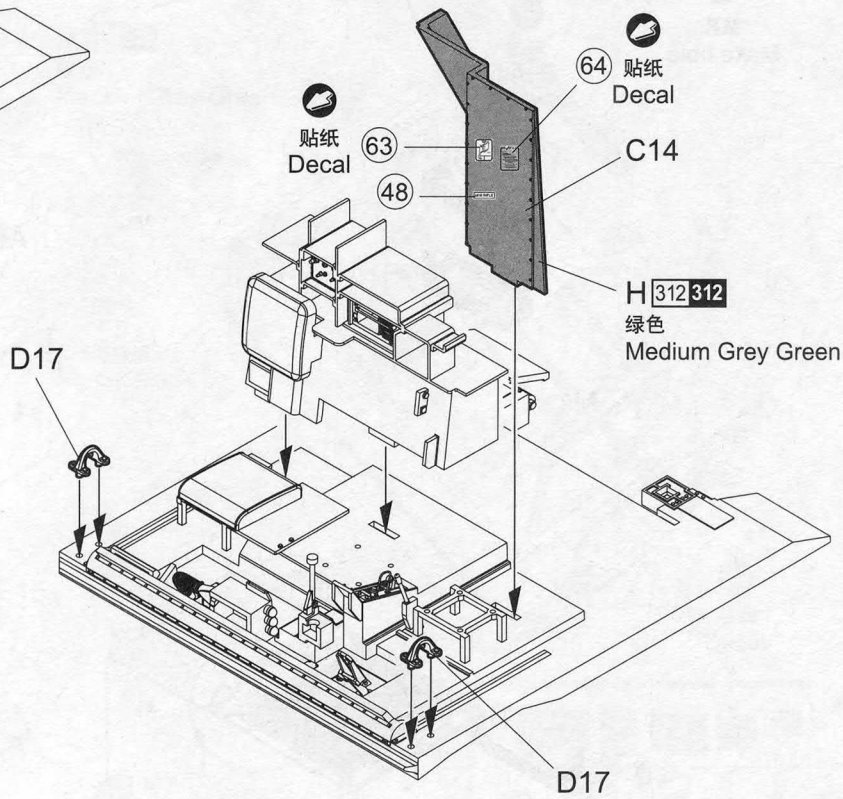


H 312 312

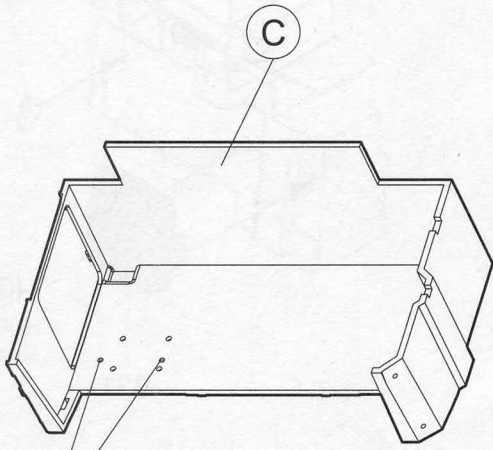
绿色
Medium Grey Green



H 312 312
绿色
Medium Grey Green

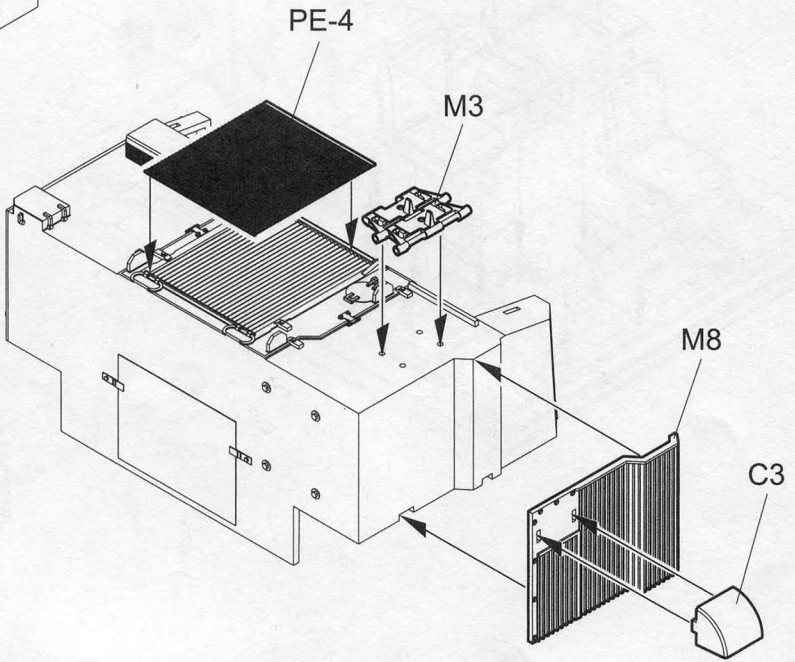
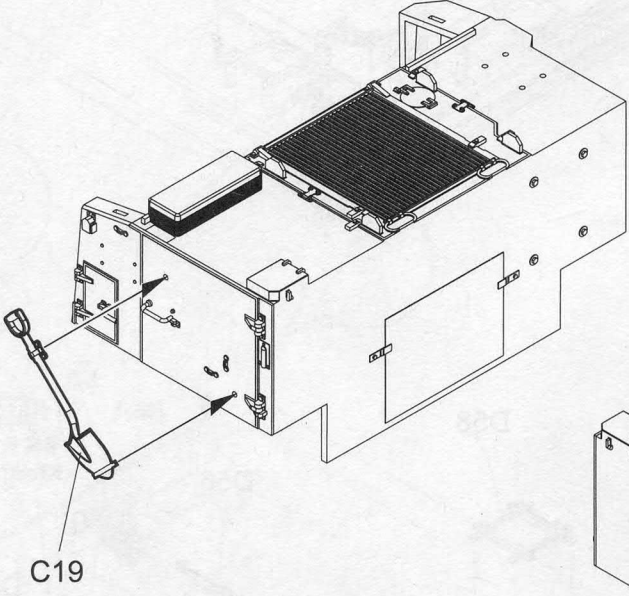
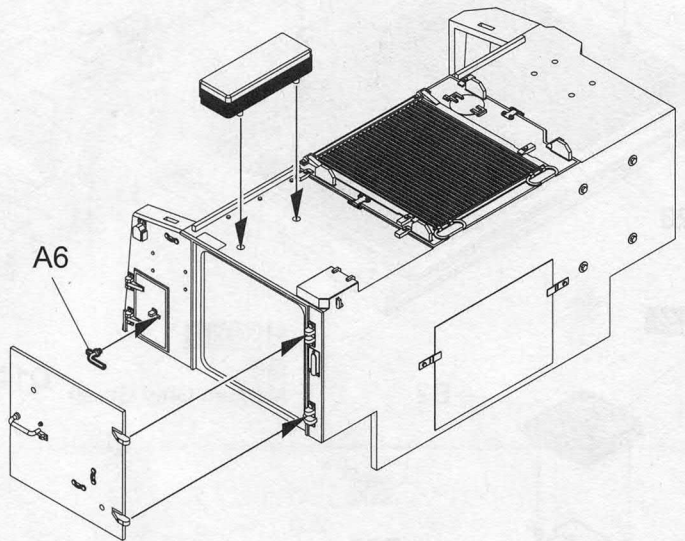
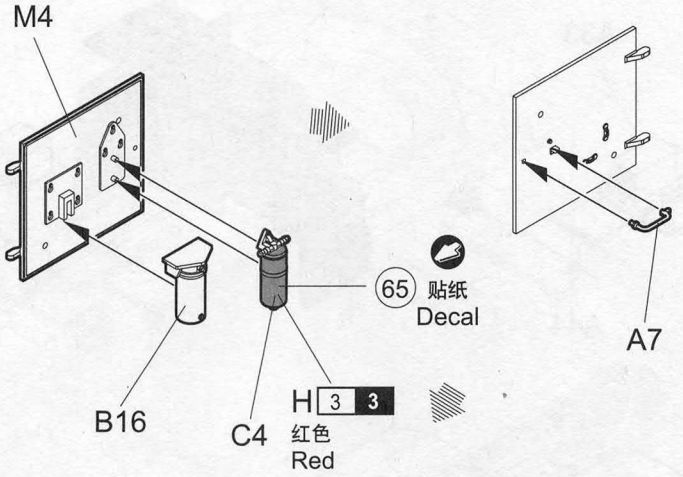
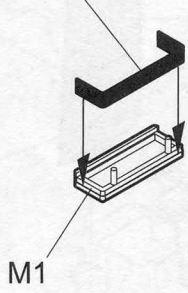


制作2组
Make two

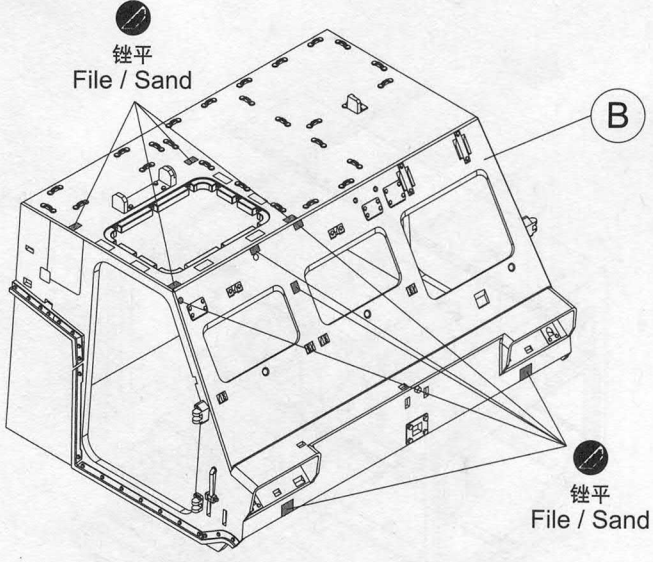


ⓘ 钻孔
Make hole

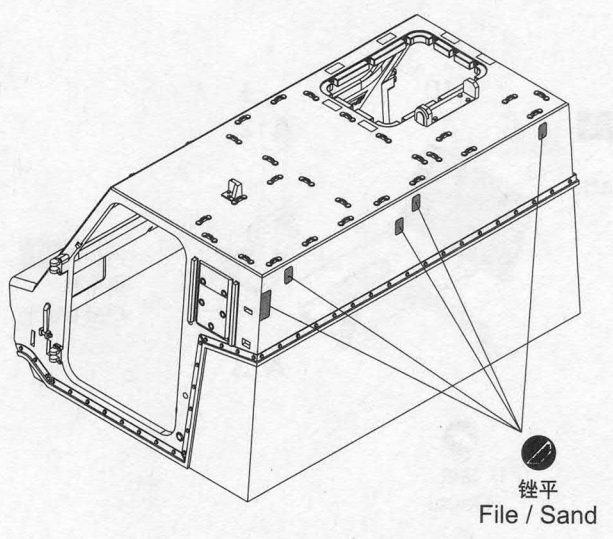
🔄 弯曲
Bend
PE-5



锉平
File / Sand



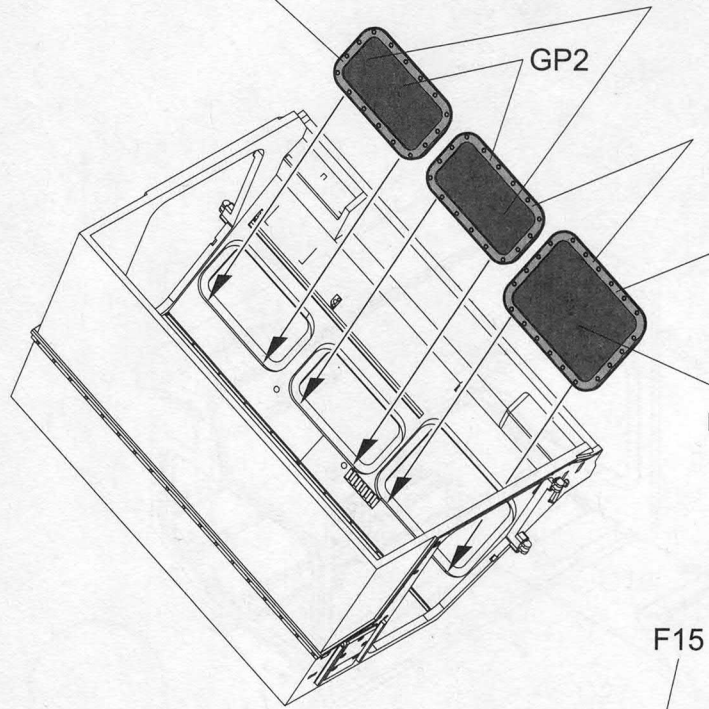
锉平
File / Sand



锉平
File / Sand

H 312 312
绿色
Medium Grey Green

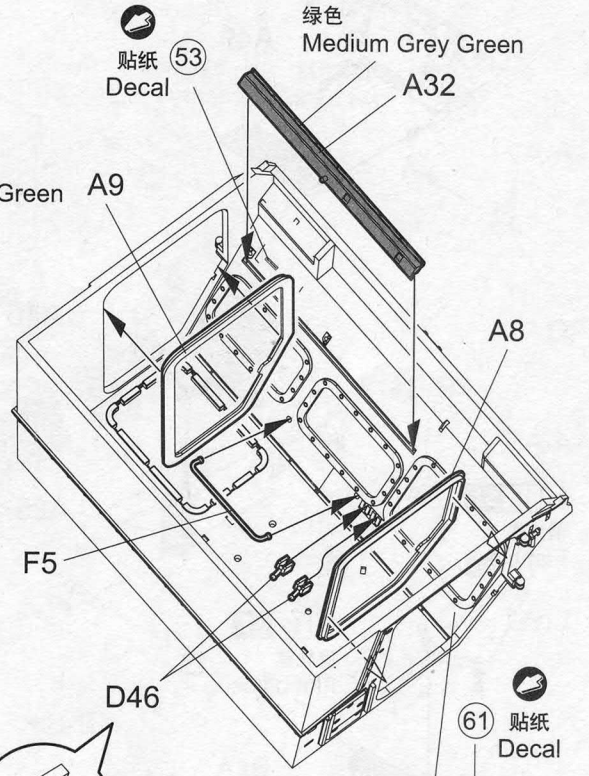
2
《遮盖纸》
Die-cut mask



H 312 312
绿色
Medium Grey Green

5
《遮盖纸》
Die-cut mask

H 312 312
绿色
Medium Grey Green



贴纸 (53)
Decal

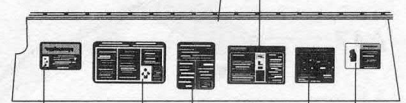
F15

F9



D46

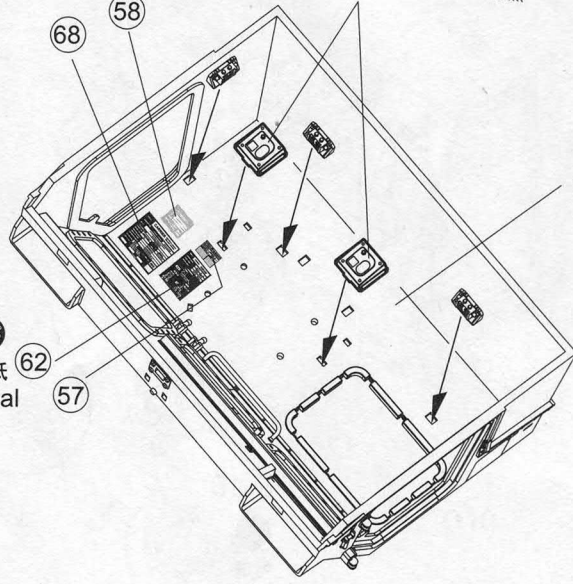
贴纸 (61)
Decal



贴纸
Decal

D48

68 58



制作3组
Make three

H 312 312
绿色
Medium Grey Green

A51

A29



A54

贴纸 (67)
Decal

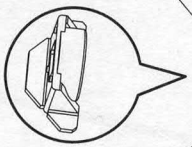
60

59

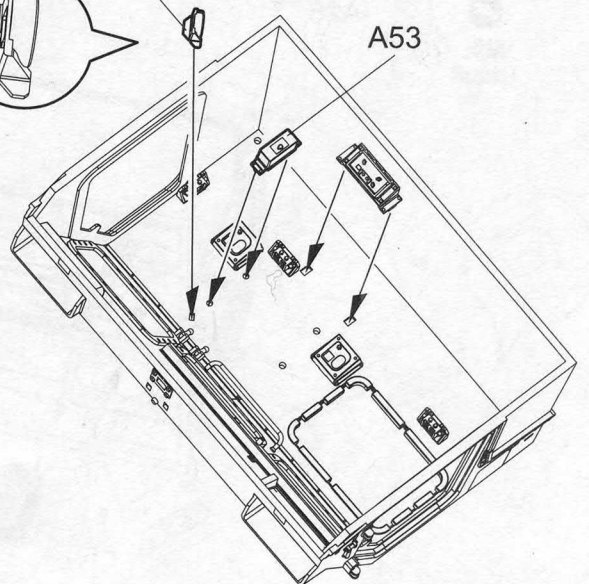
贴纸
Decal

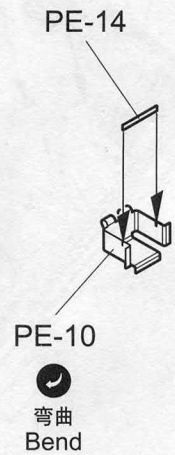
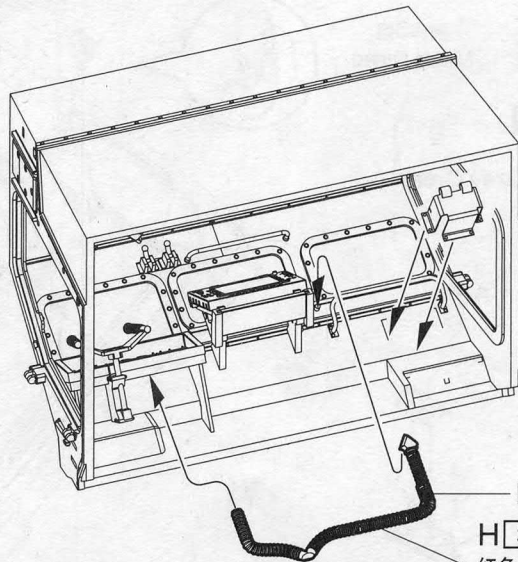
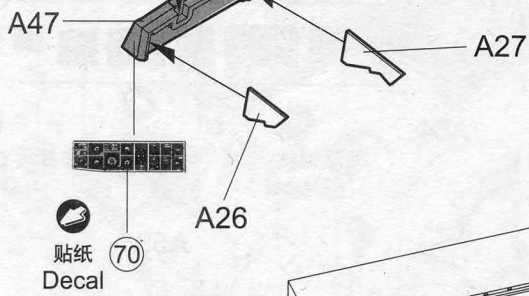
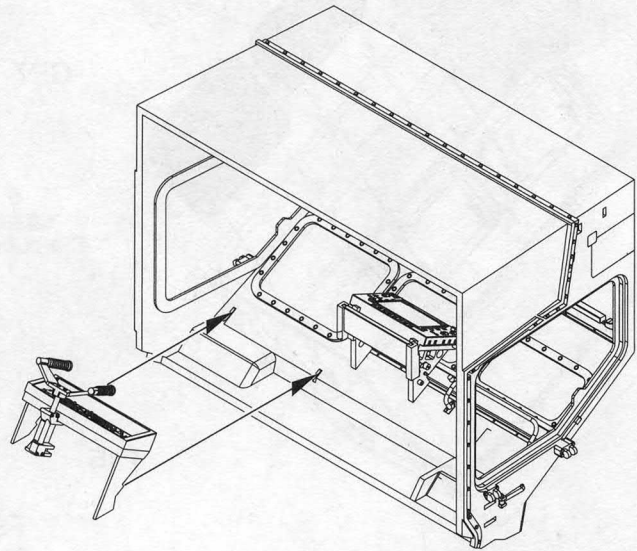
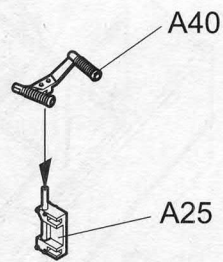
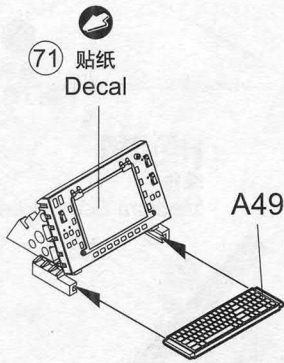
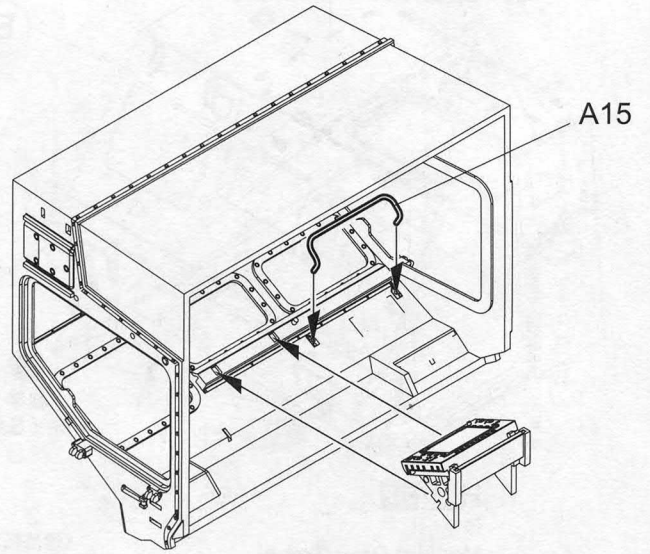
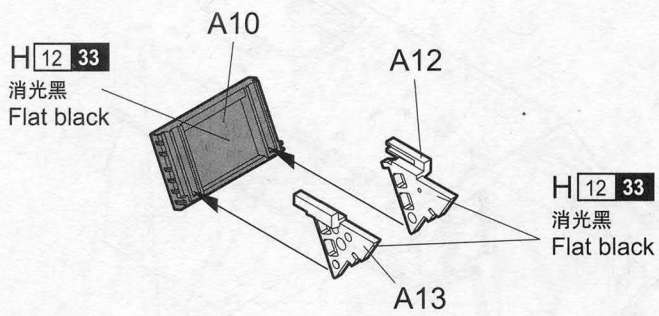
69

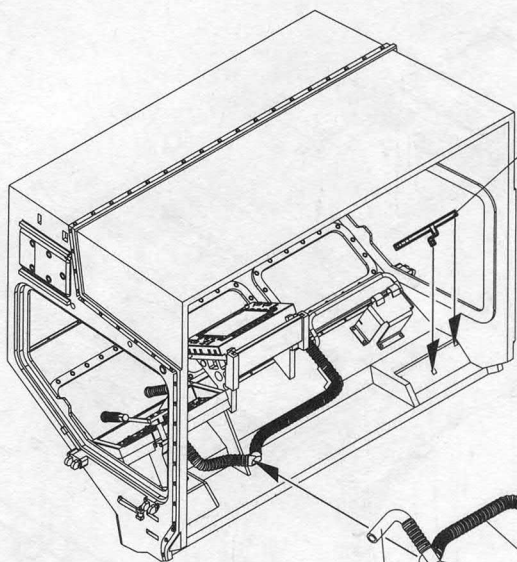
贴纸
Decal



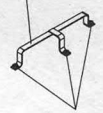
A53



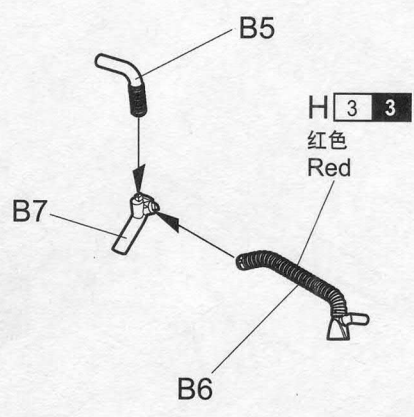




弯曲
PE-17 Bend



PE-19



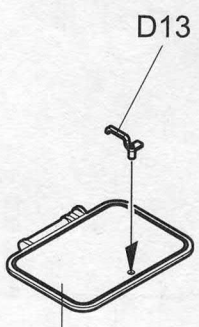
B5

H 3 3
红色
Red

B7

B6

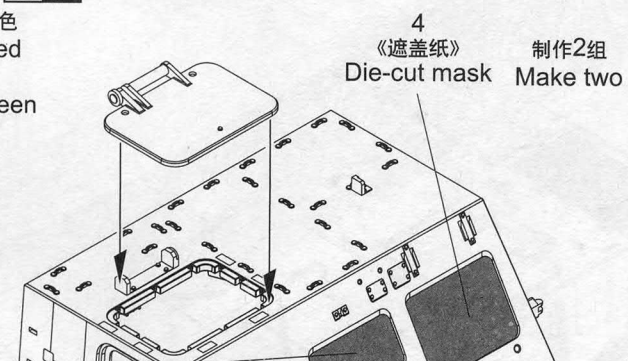
H 3 3
红色
Red
H 312 312
绿色
Medium Grey Green



D13

B23

1
《遮盖纸》
Die-cut mask



4
《遮盖纸》
Die-cut mask
制作2组
Make two

D25

《A-A》

GP6

《B-B》

《A-A》

A17

D10

A43

《B-B》

《A-A》

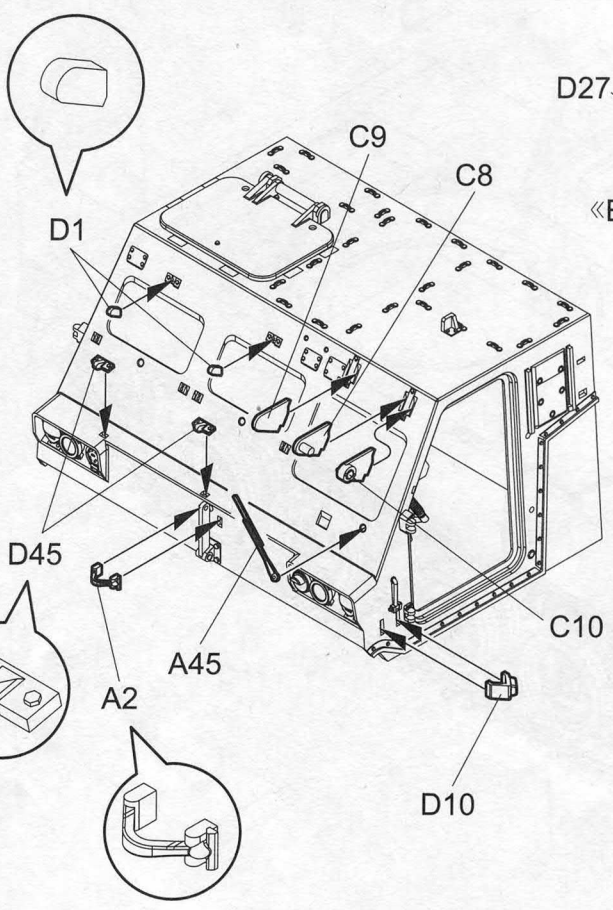
A16

D27

《B-B》

GP1

制作2组
Make two



D1

C9

C8

D45

A2

A45

D10

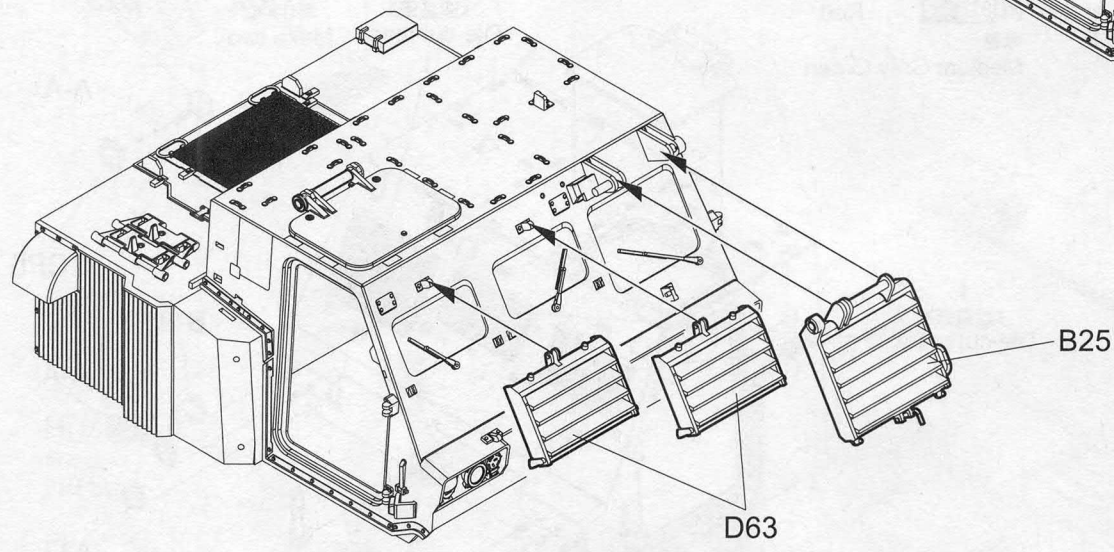
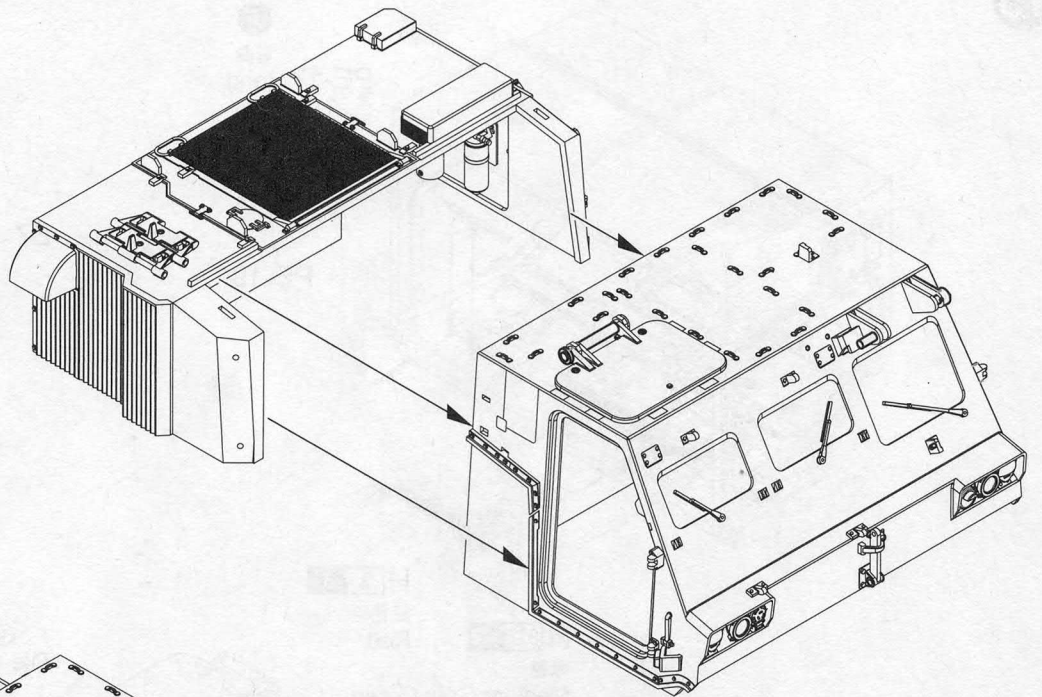
C10

A50

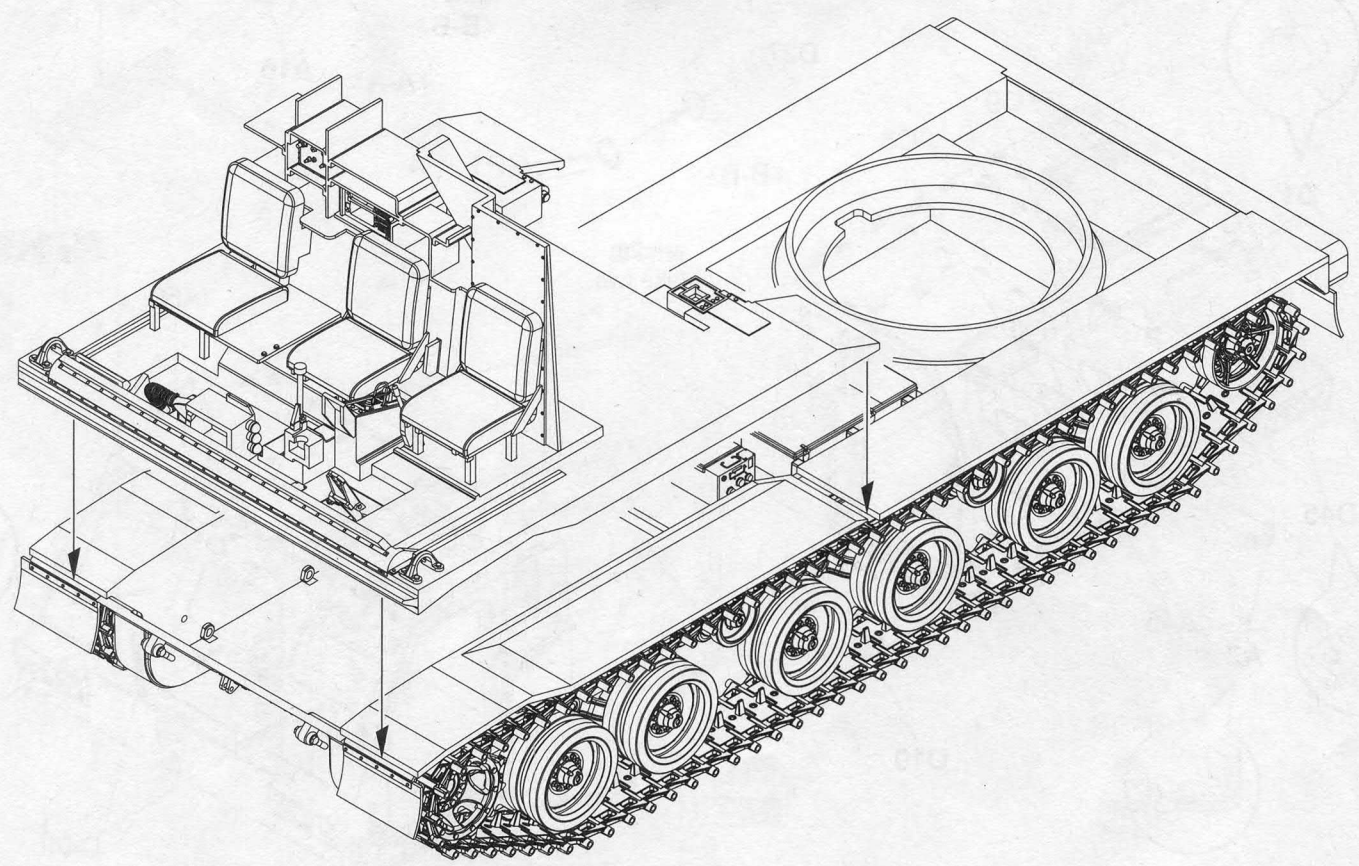
A3

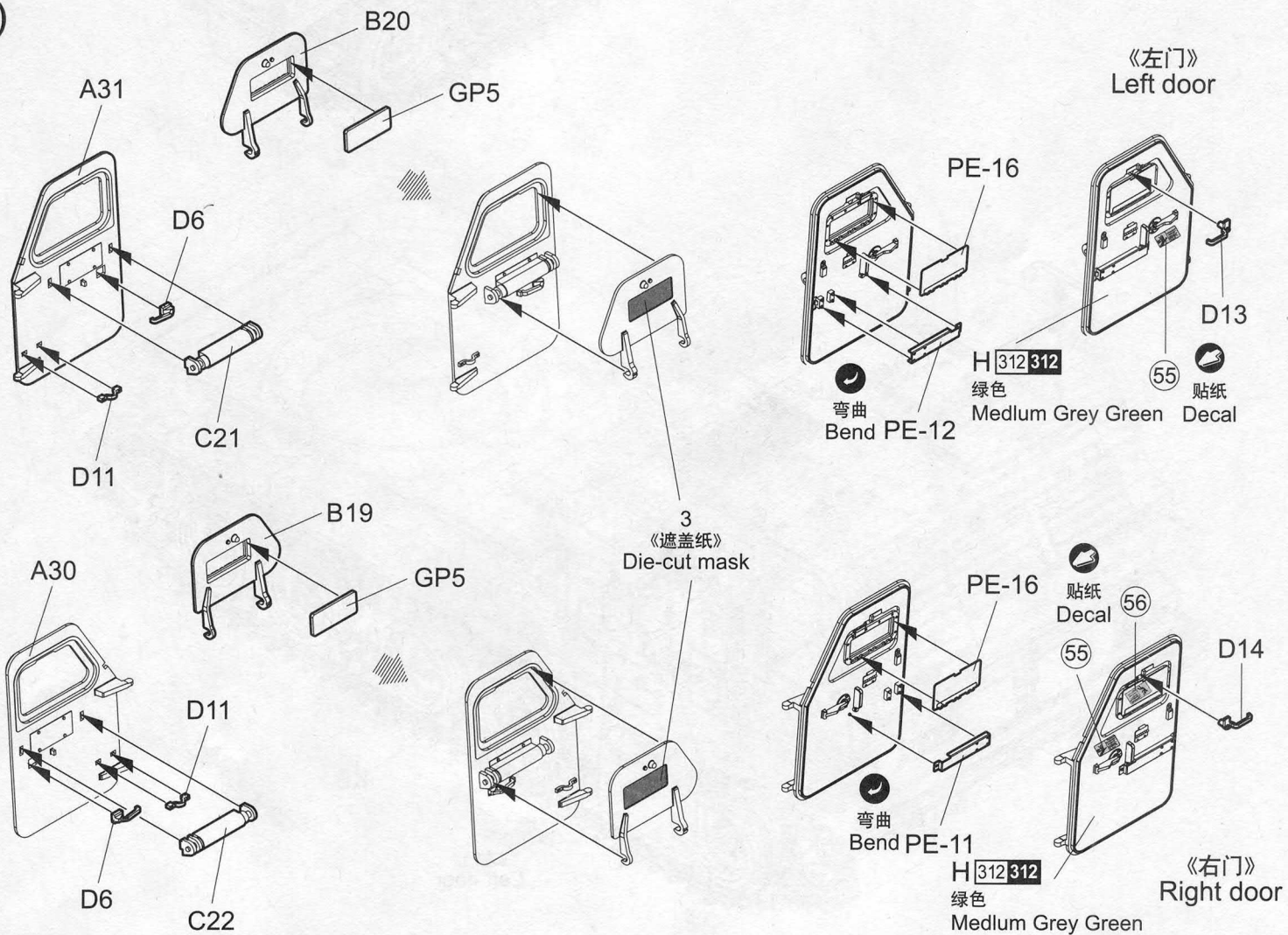
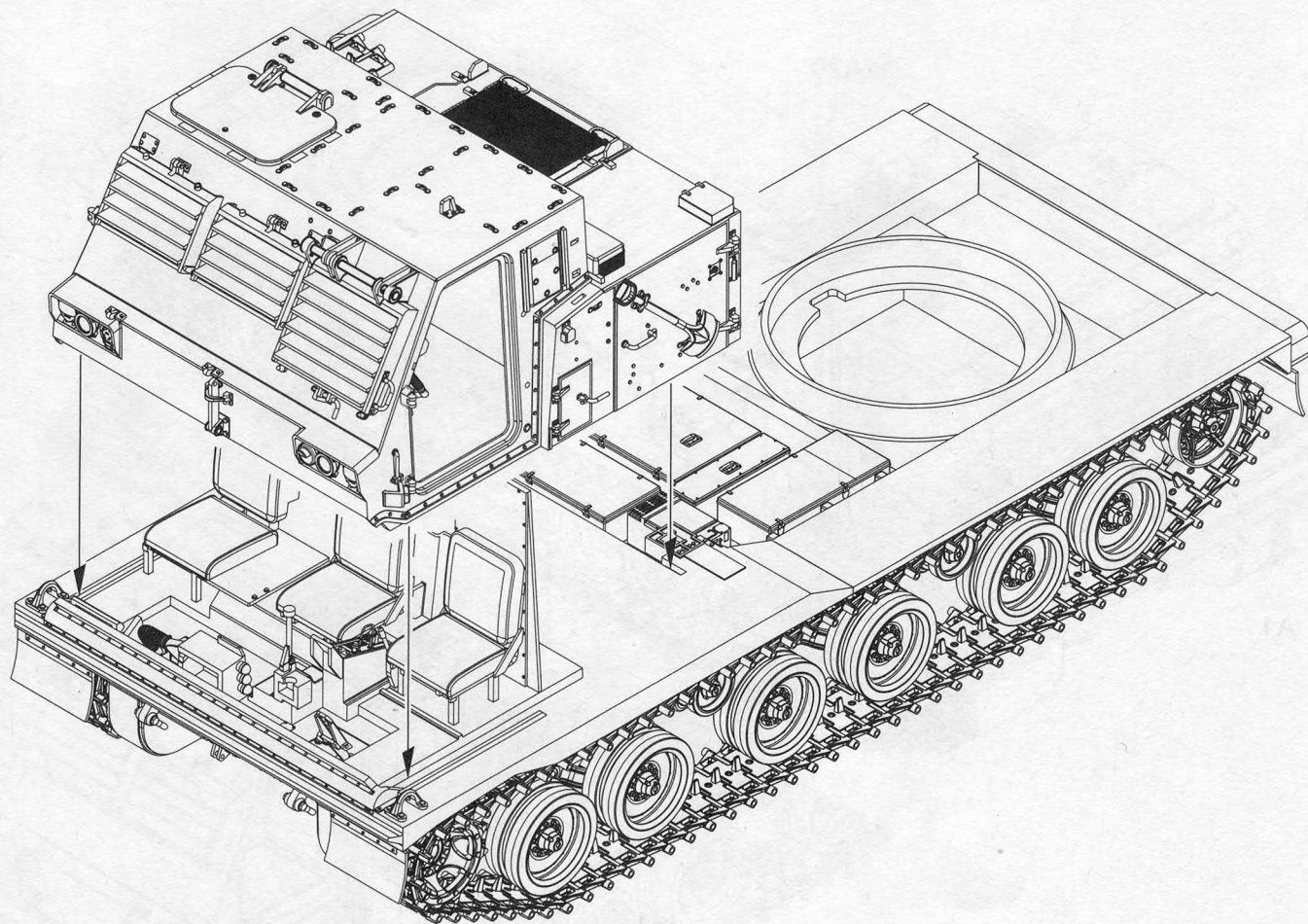
D44

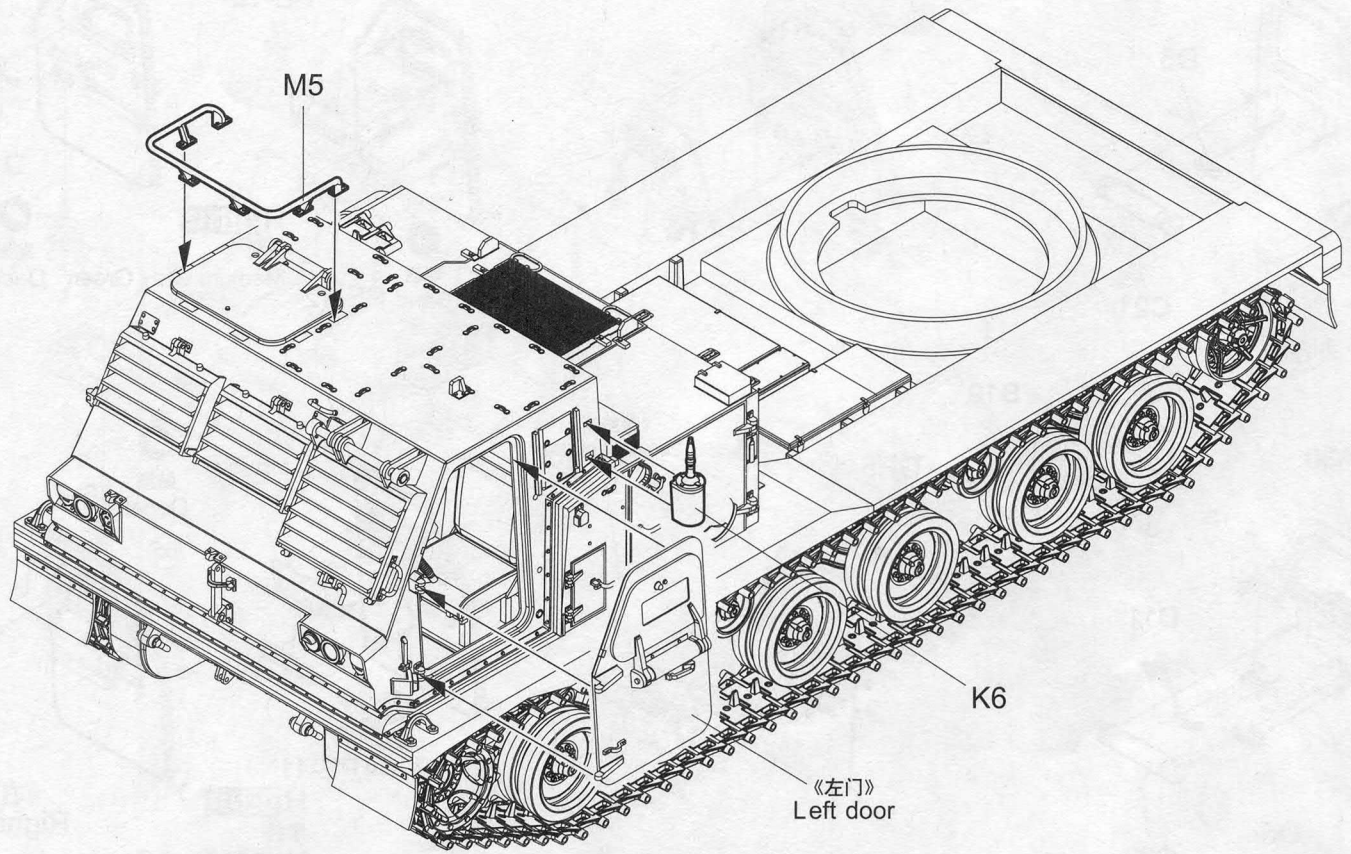
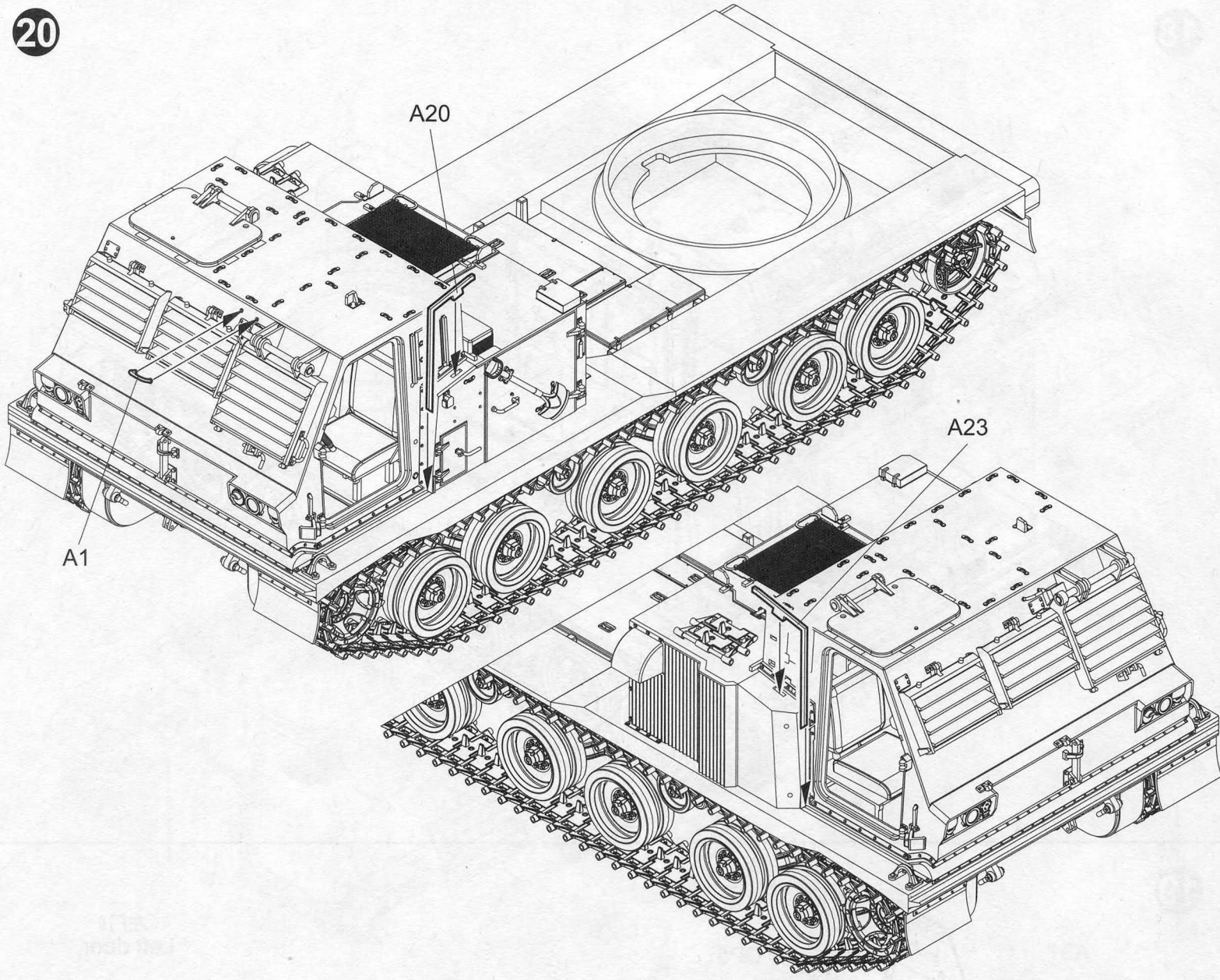
16

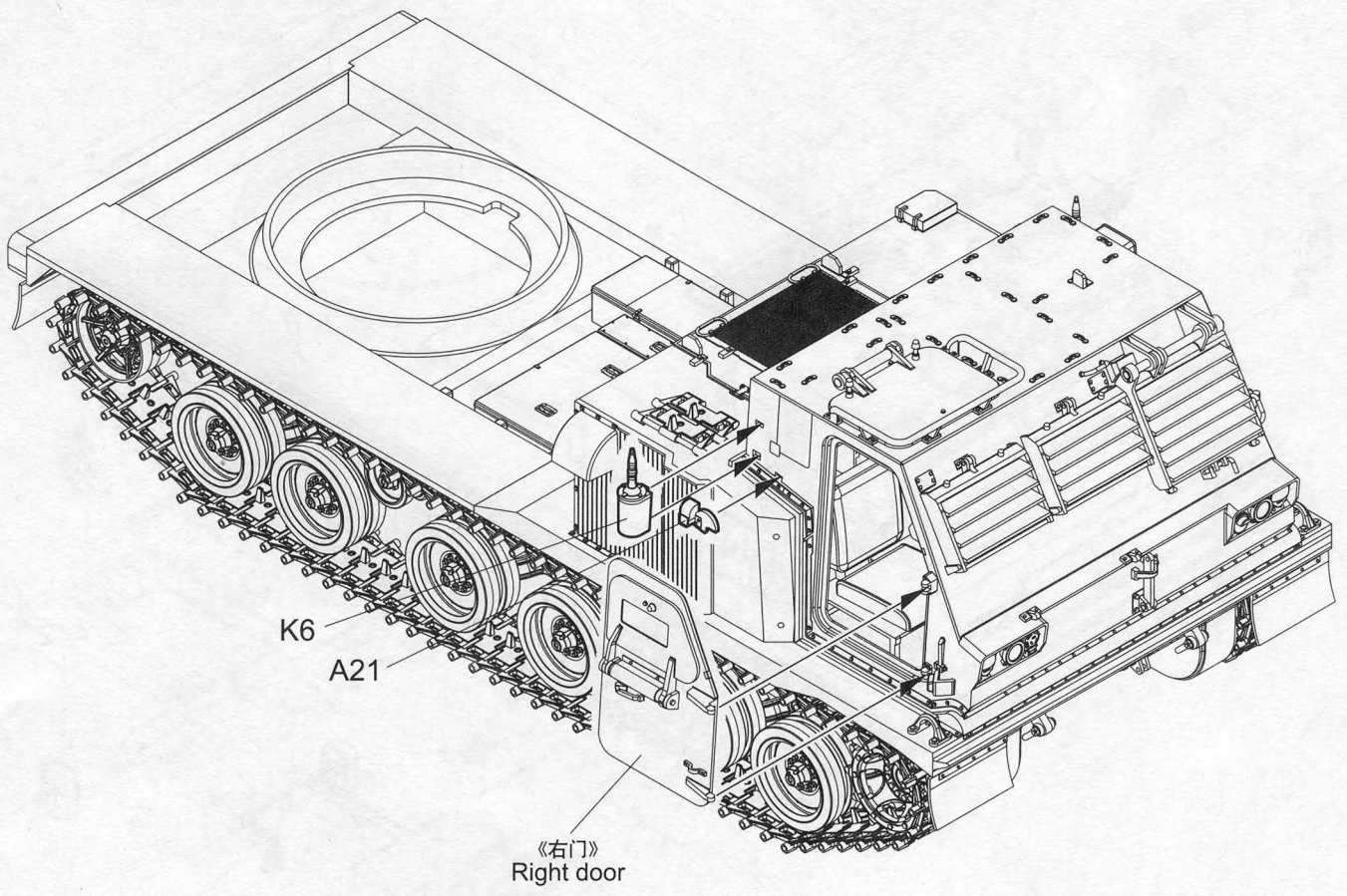
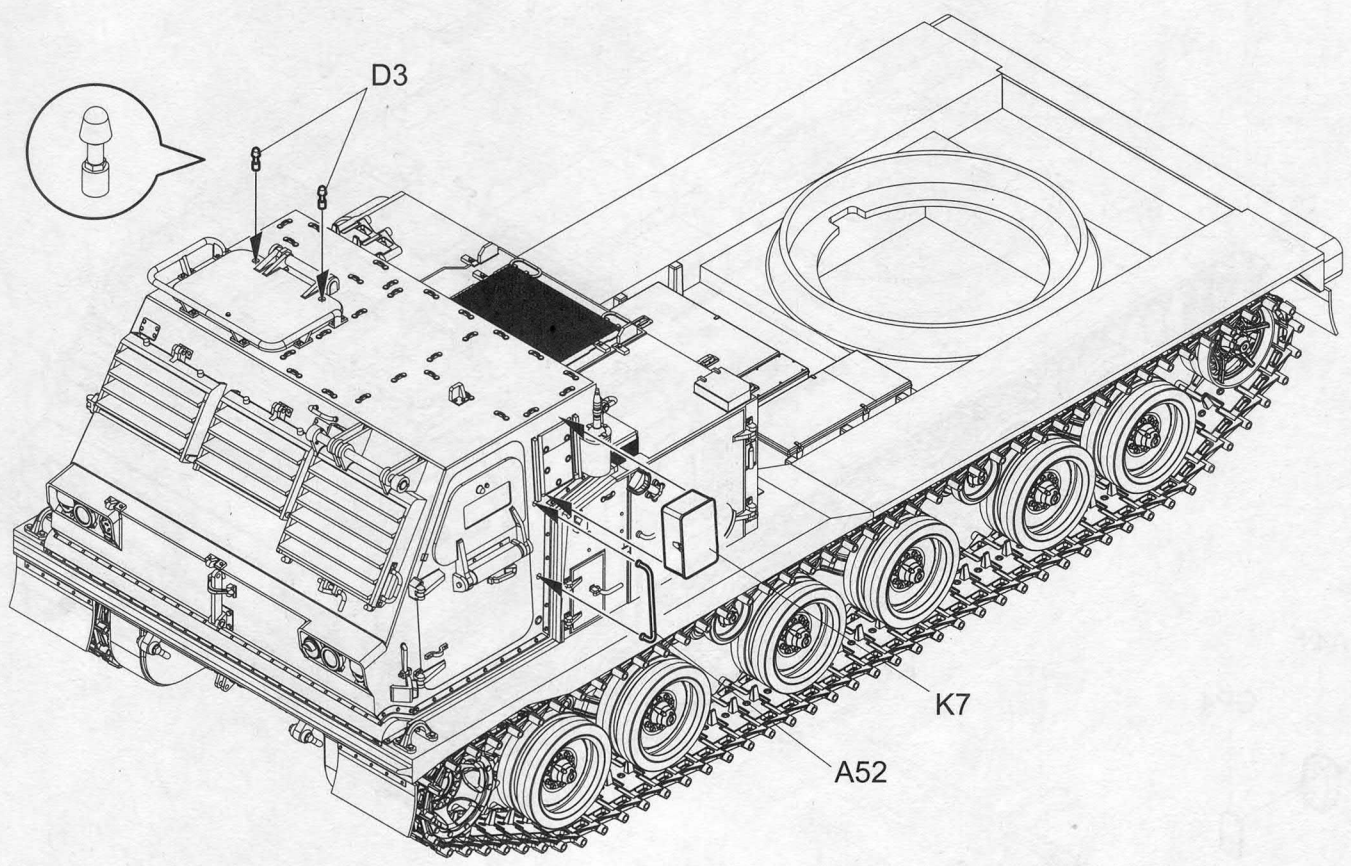


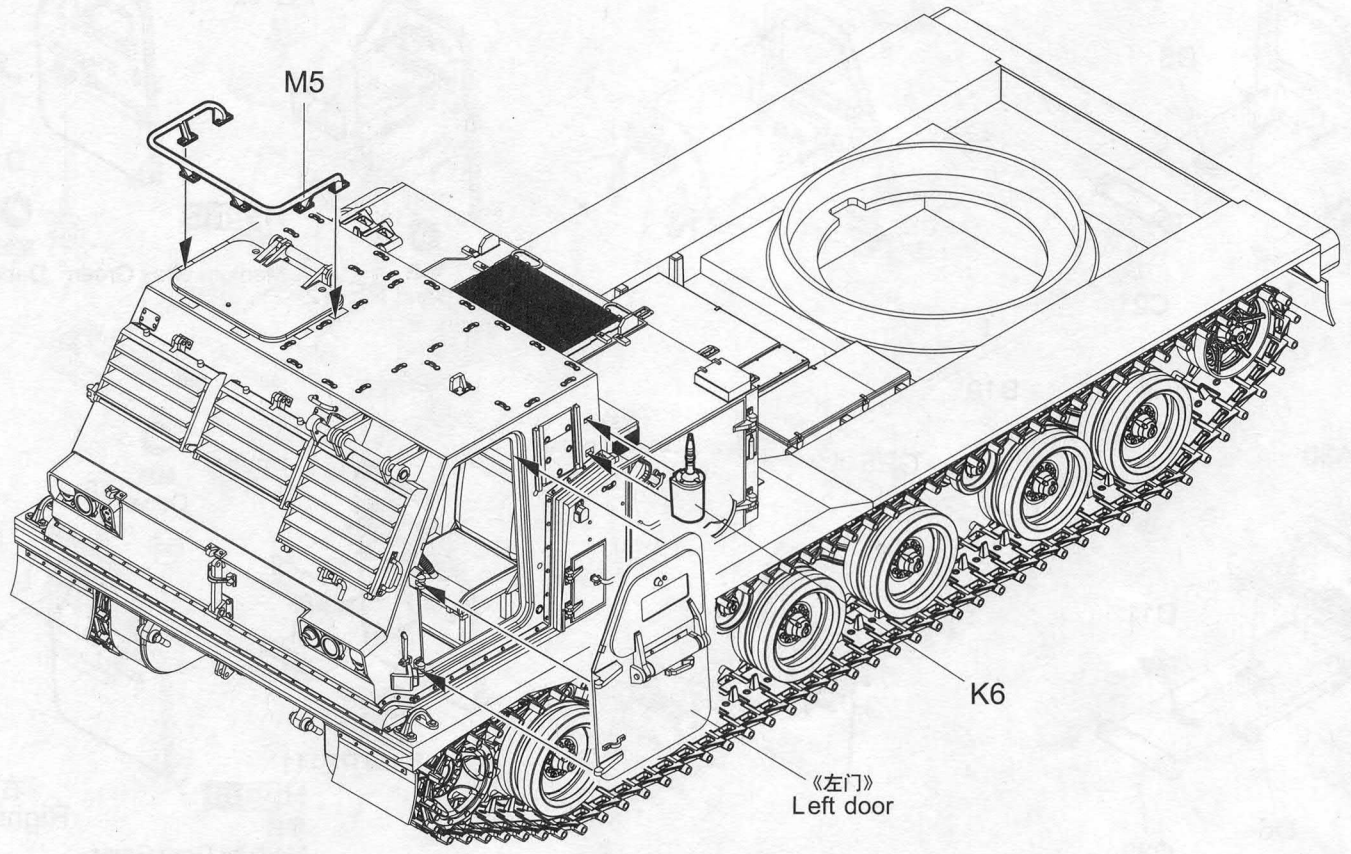
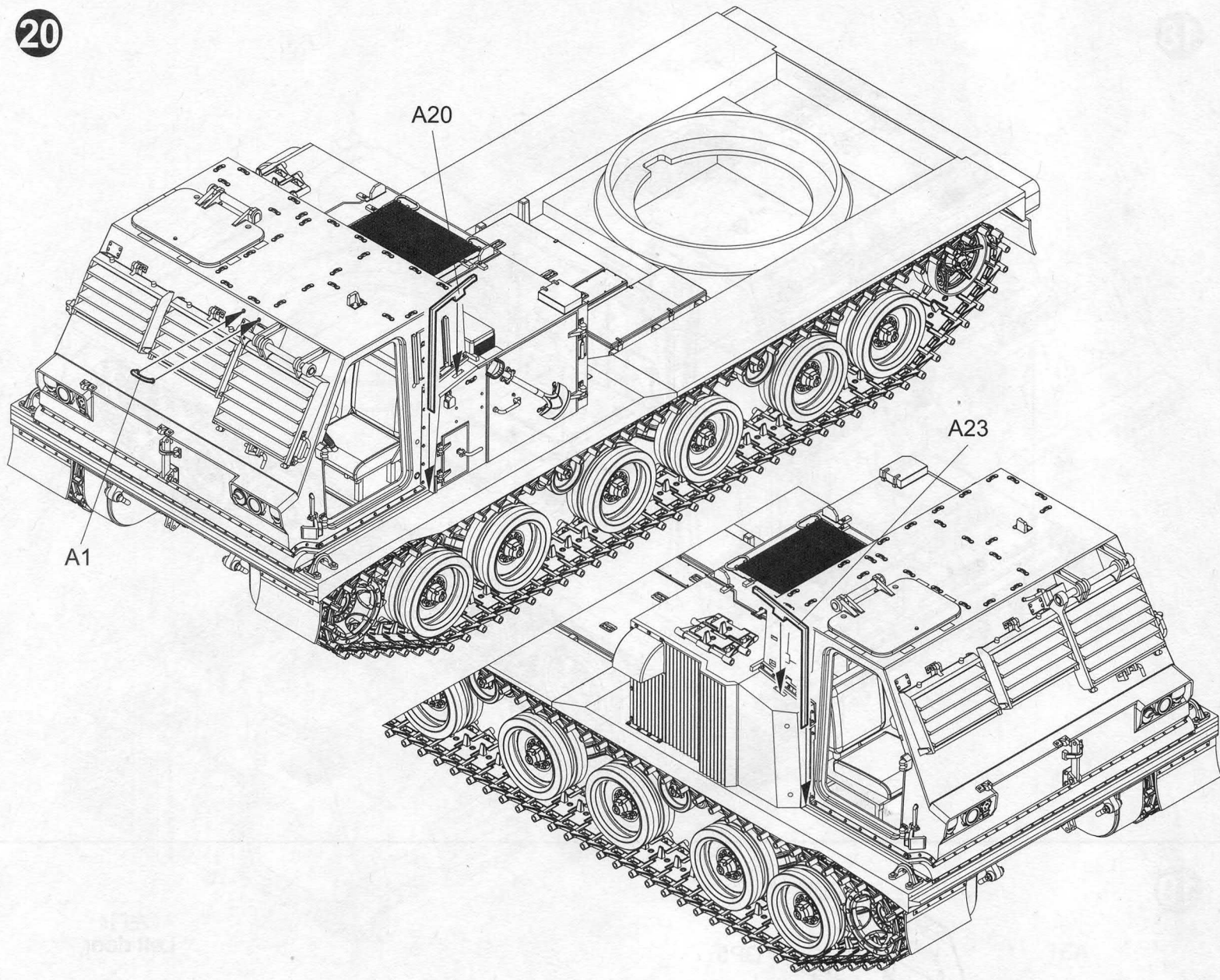
17

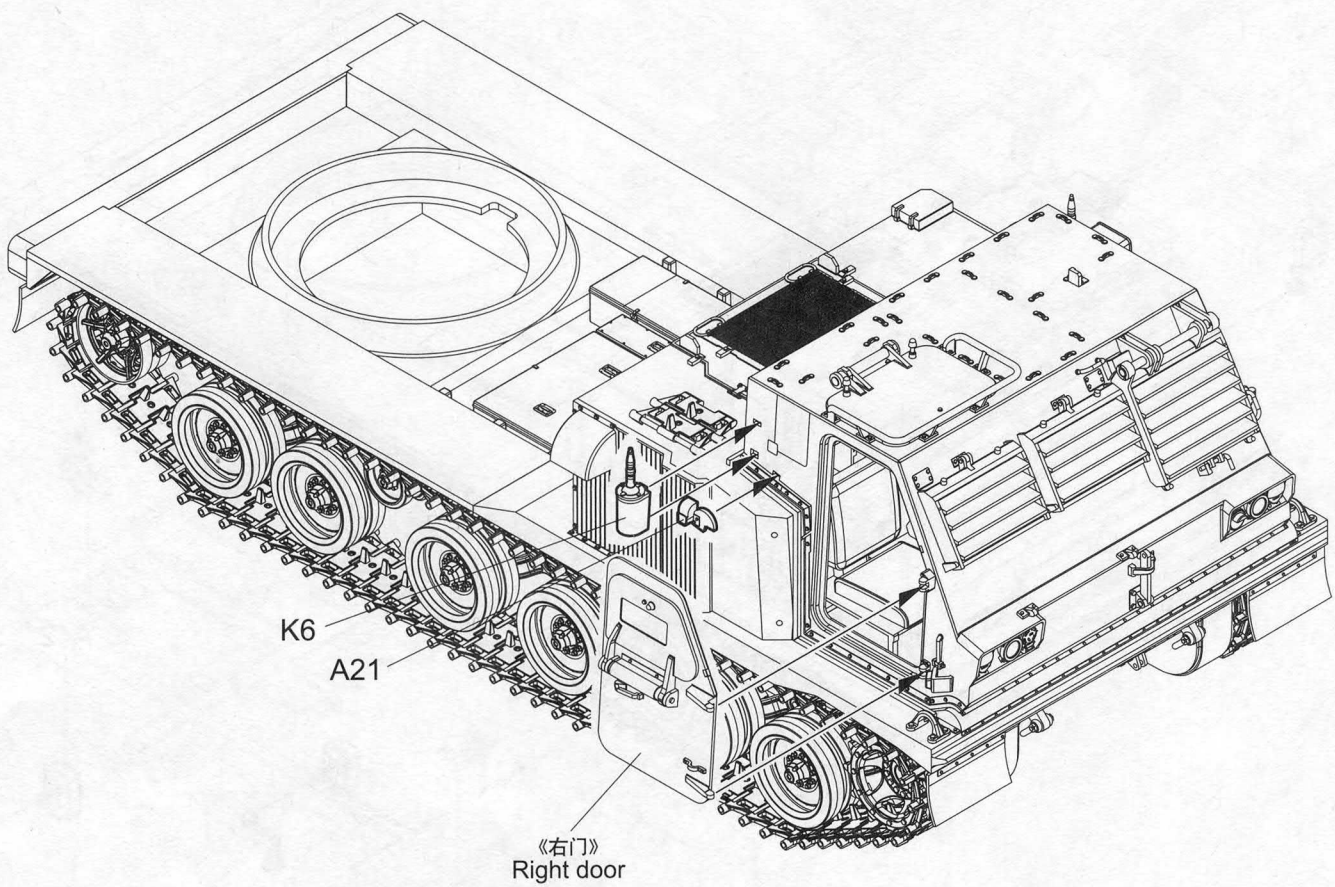
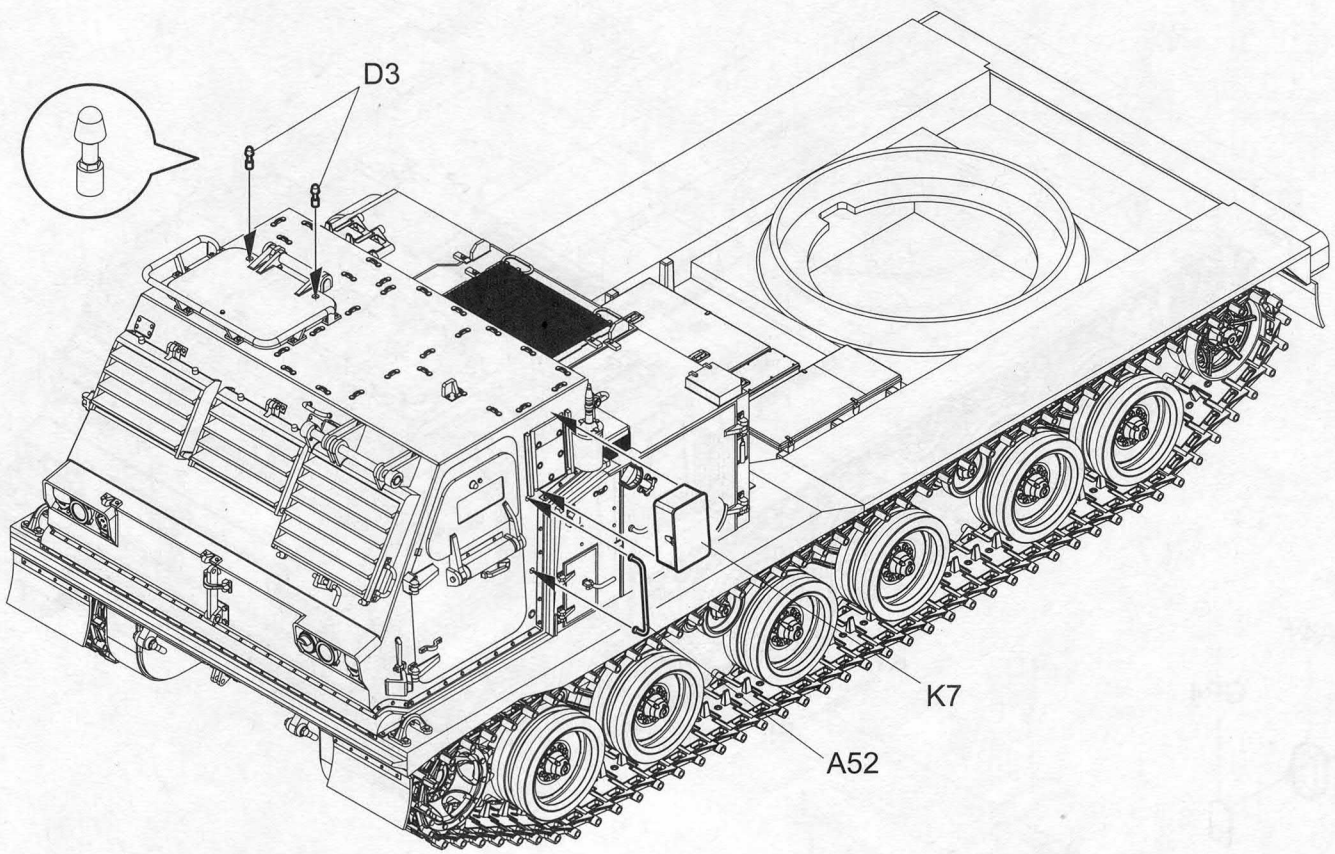


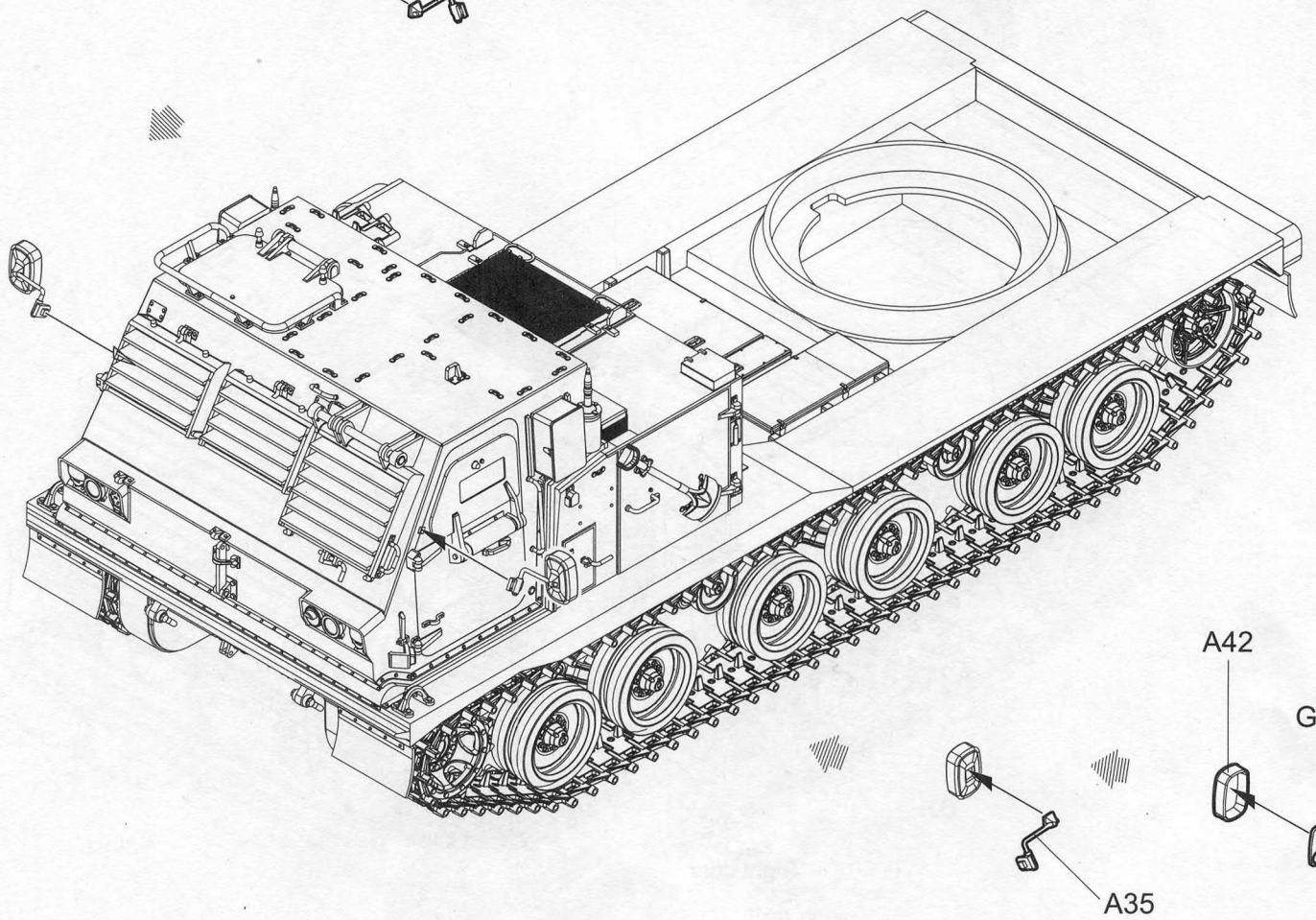
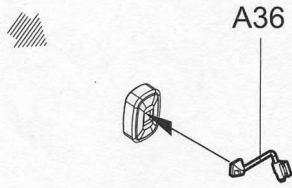
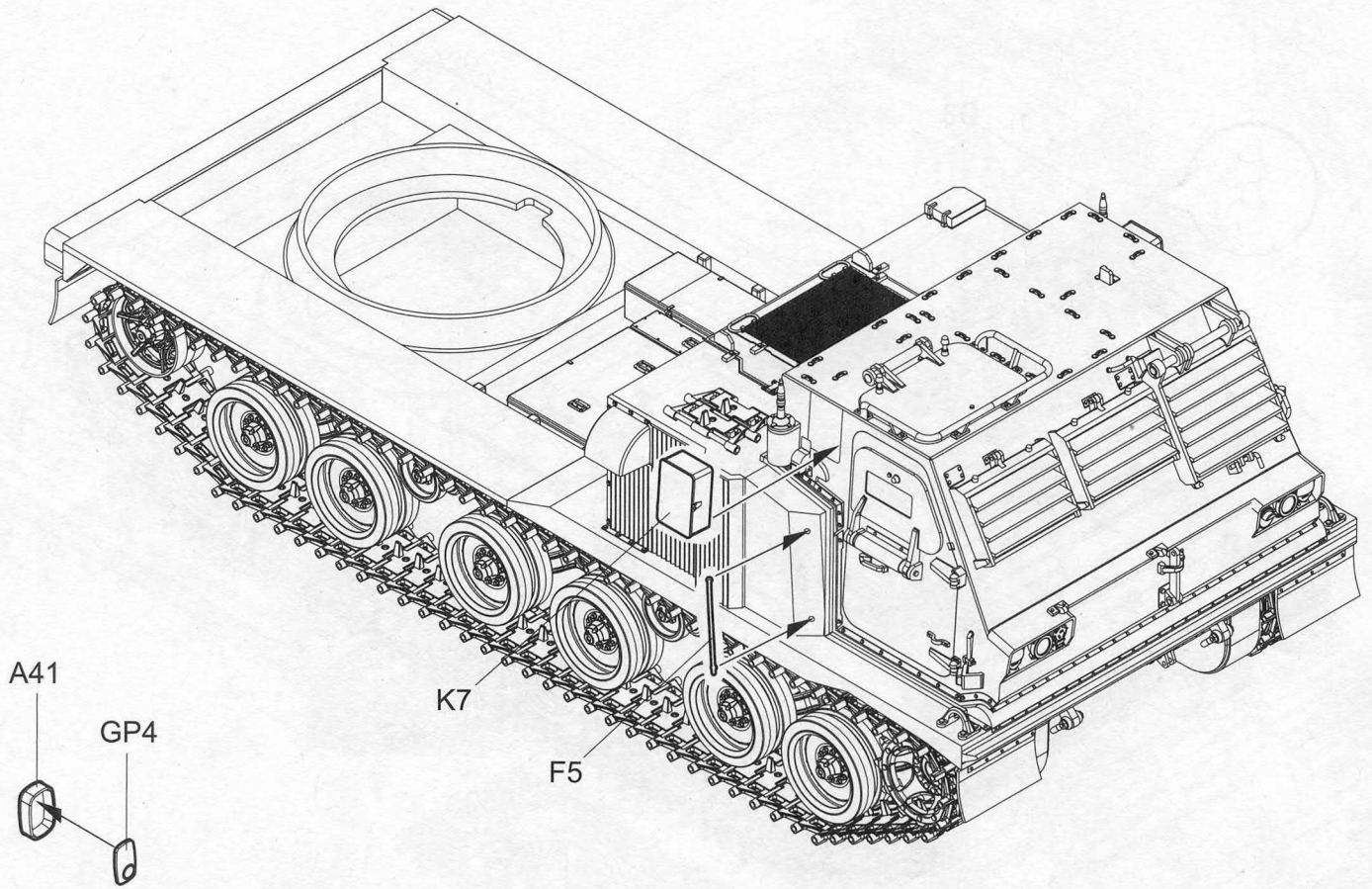




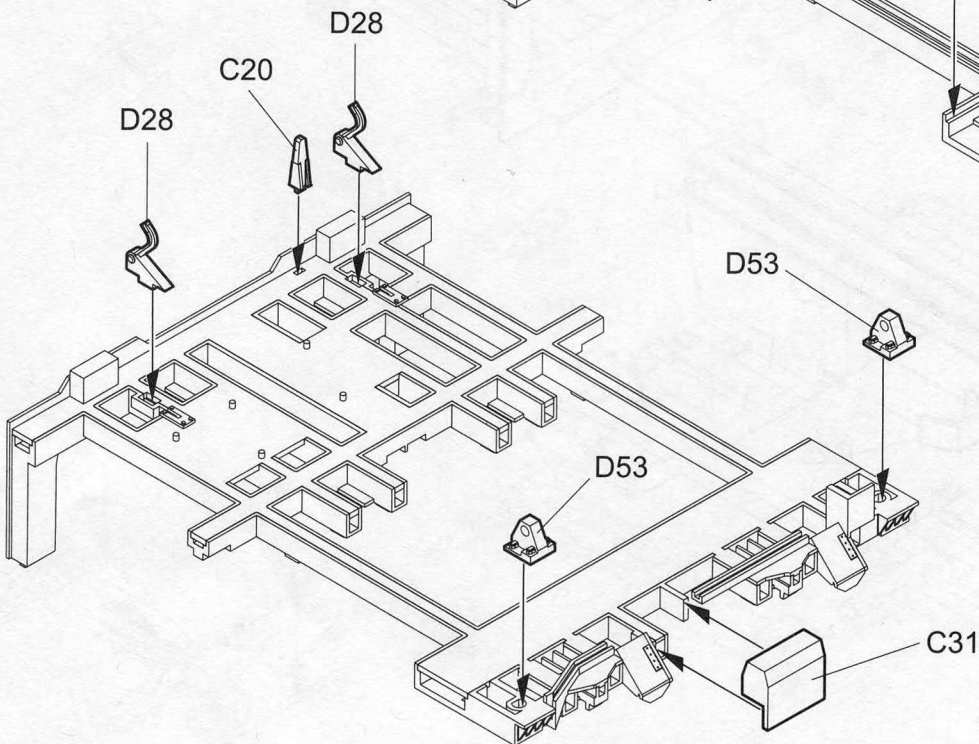
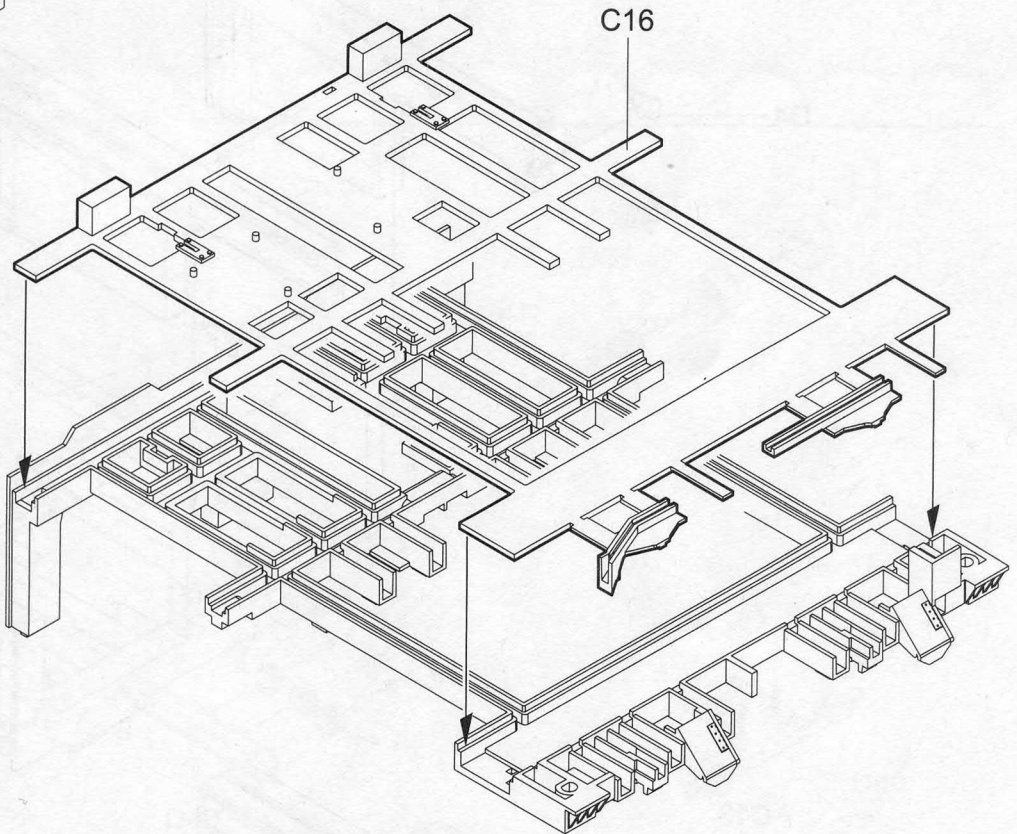
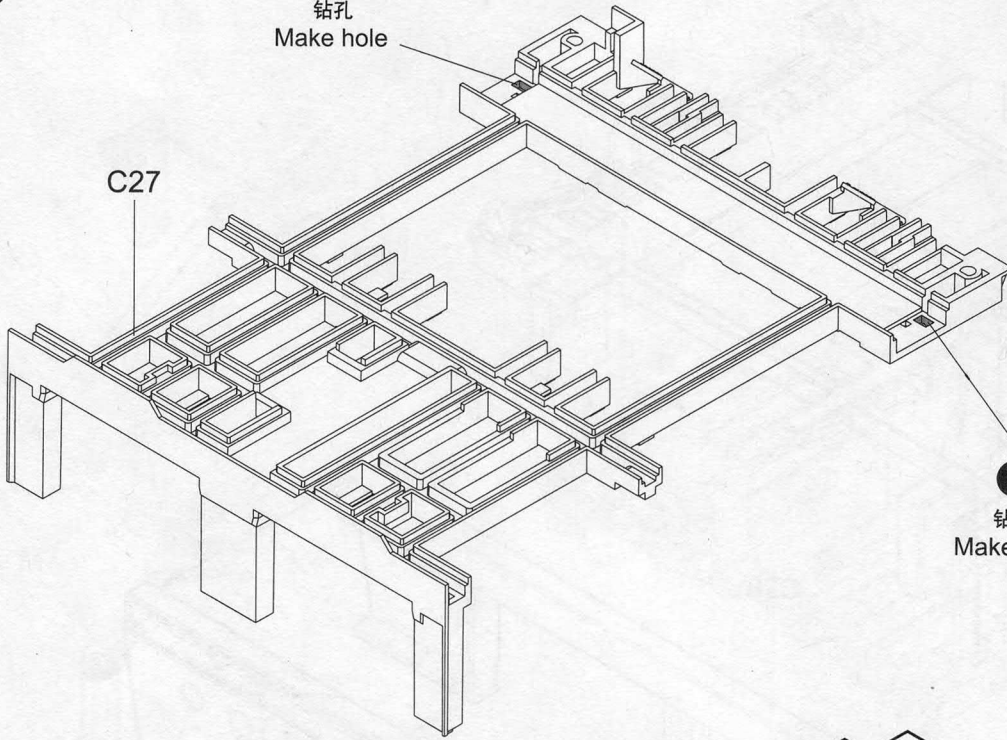


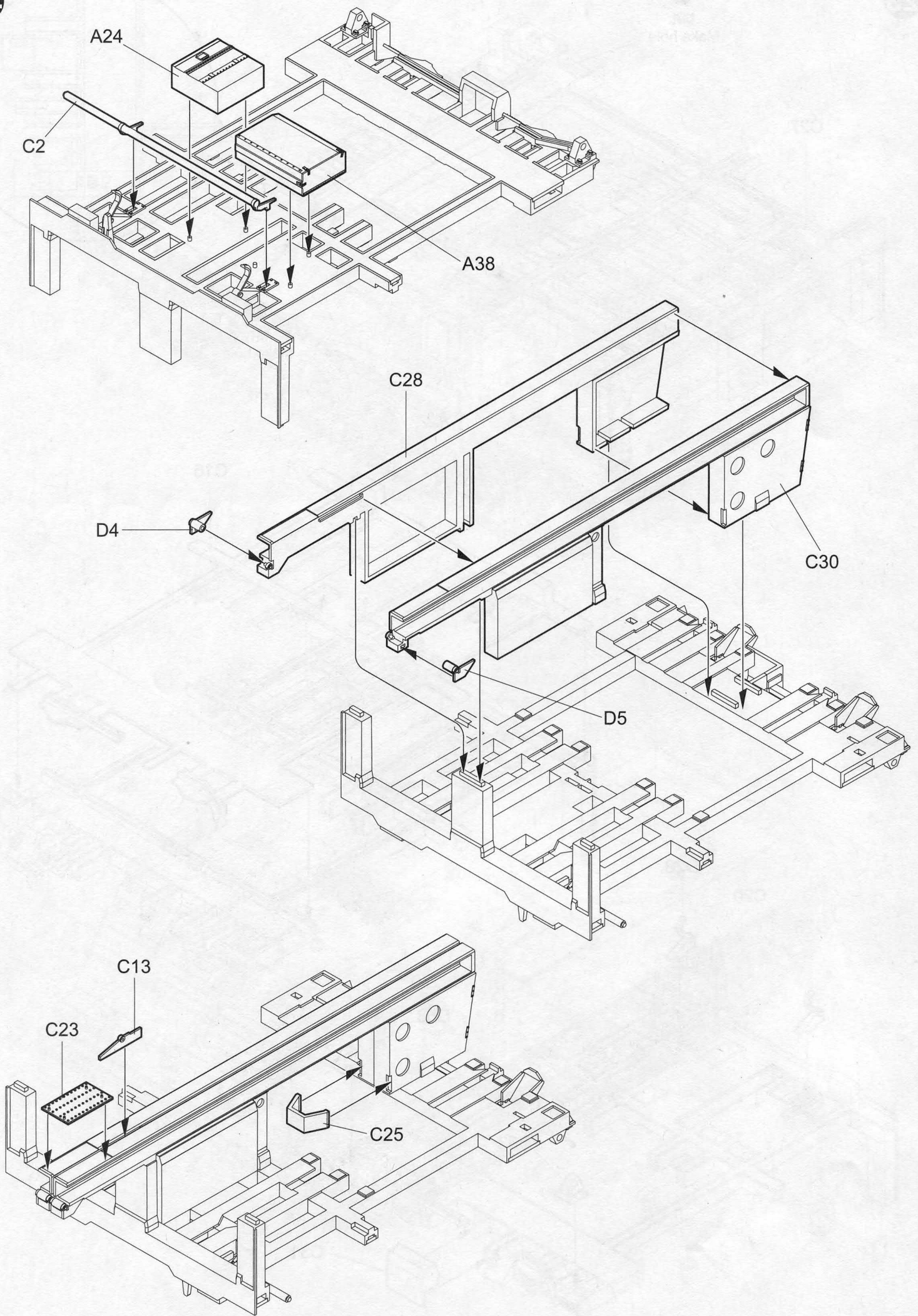




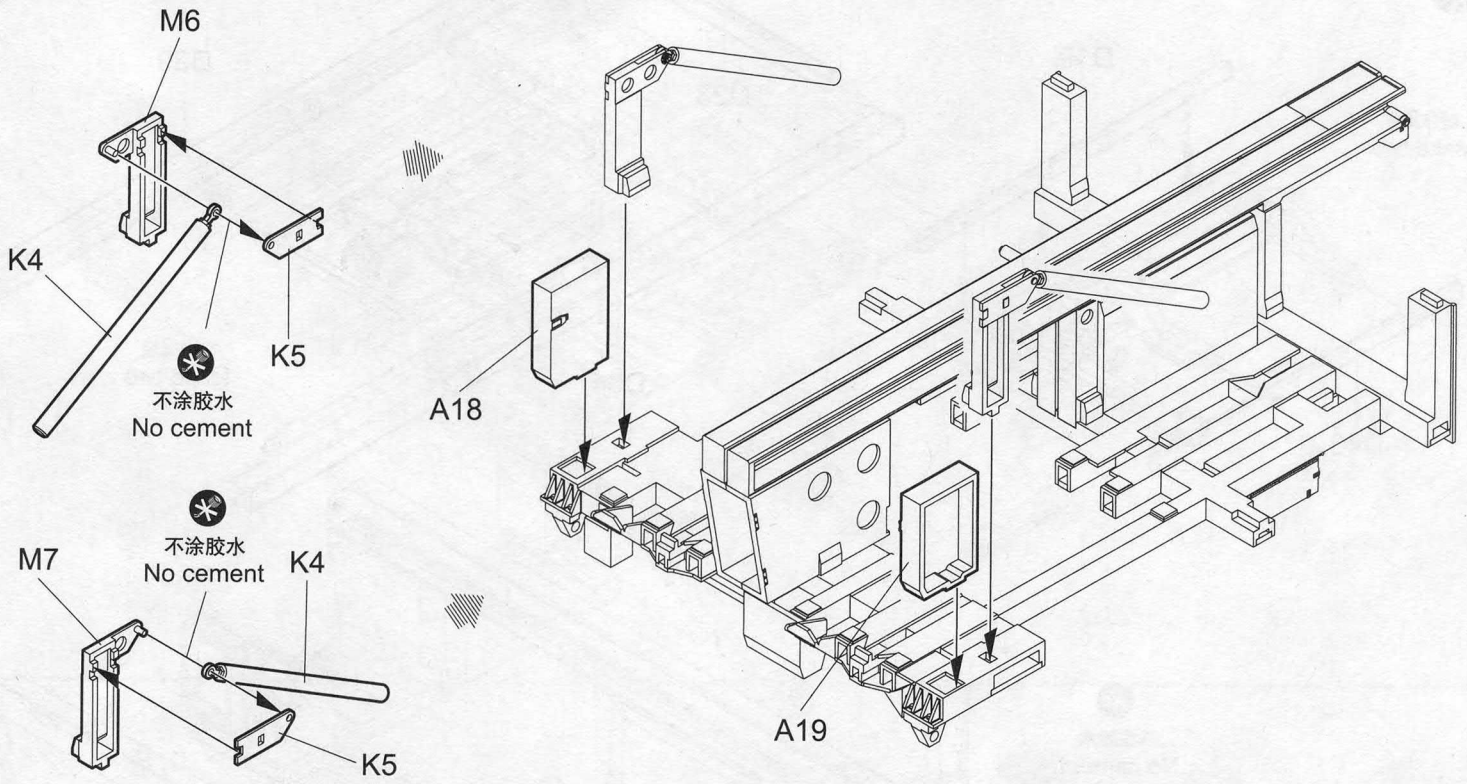


Ⓜ
钻孔
Make hole



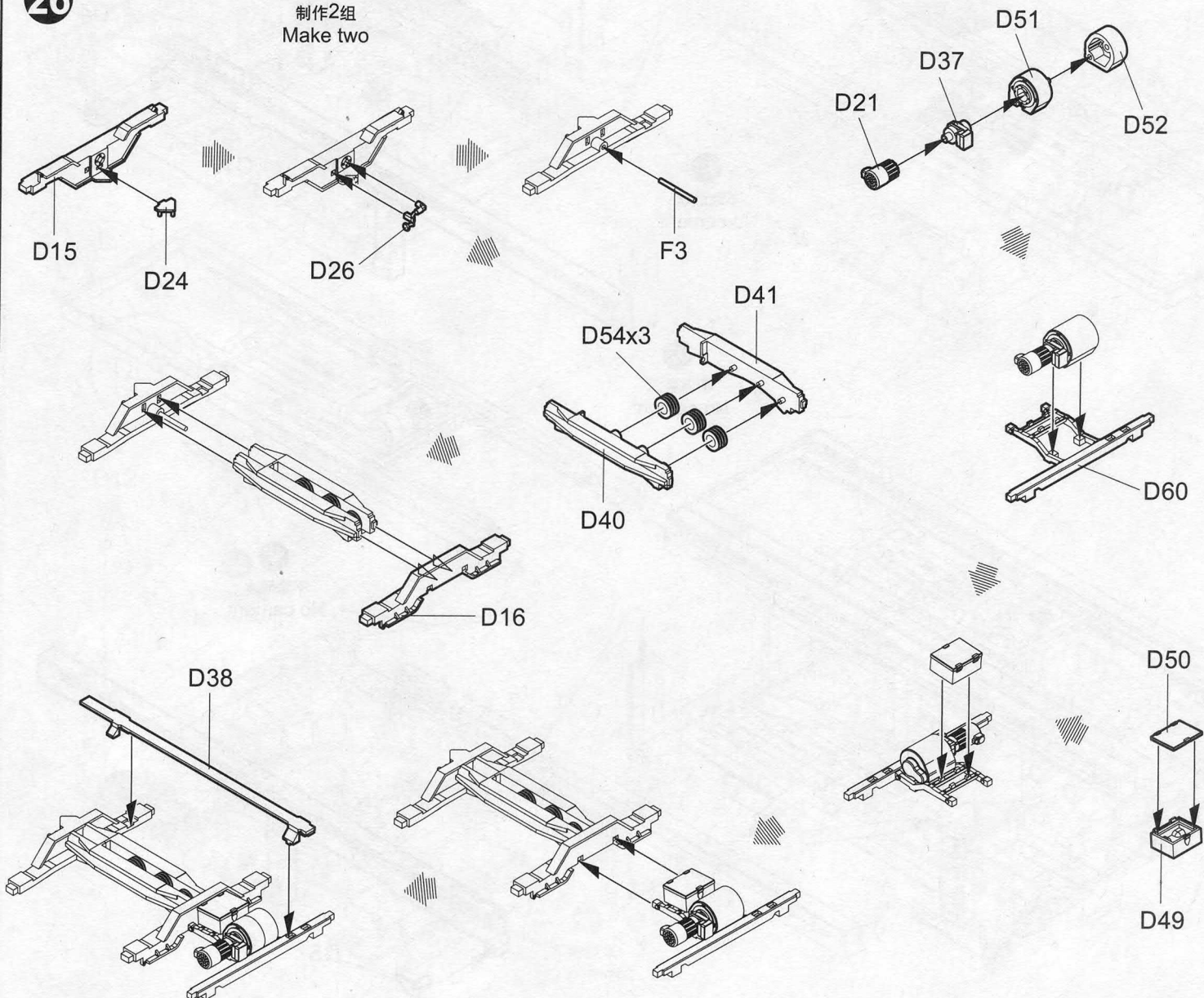


25

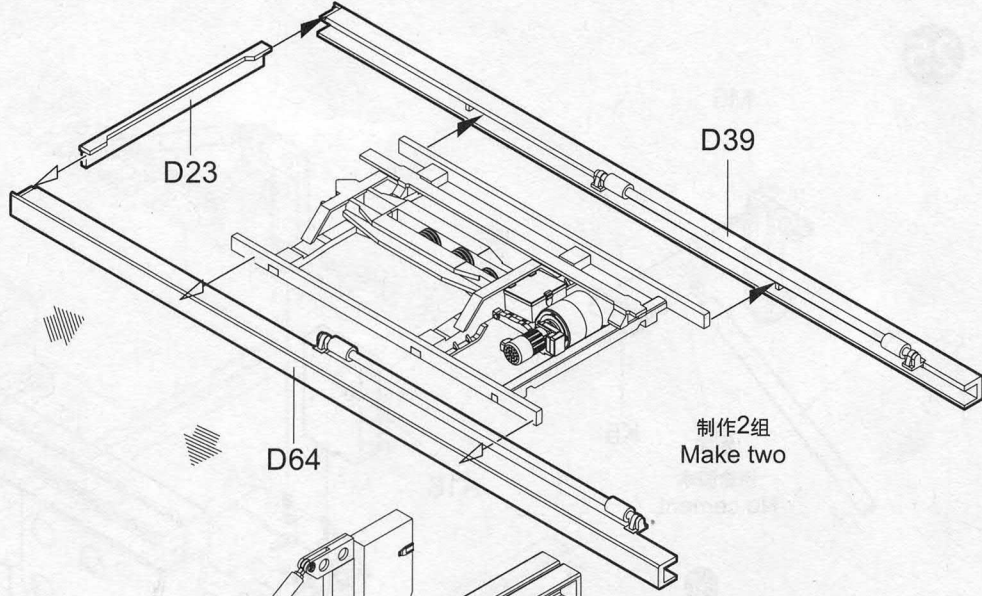
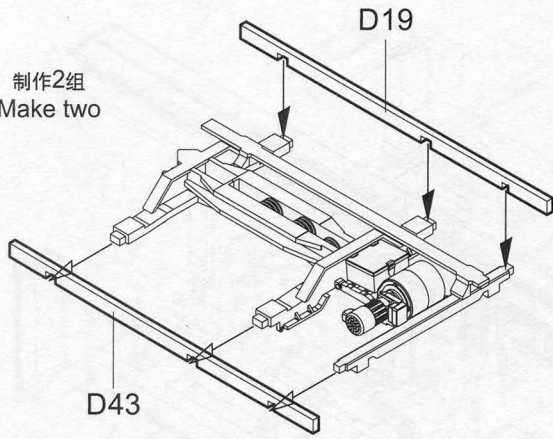


26

制作2组
Make two



制作2组
Make two



制作2组
Make two

*
不涂胶水
No cement

*
不涂胶水
No cement

*
不涂胶水
No cement

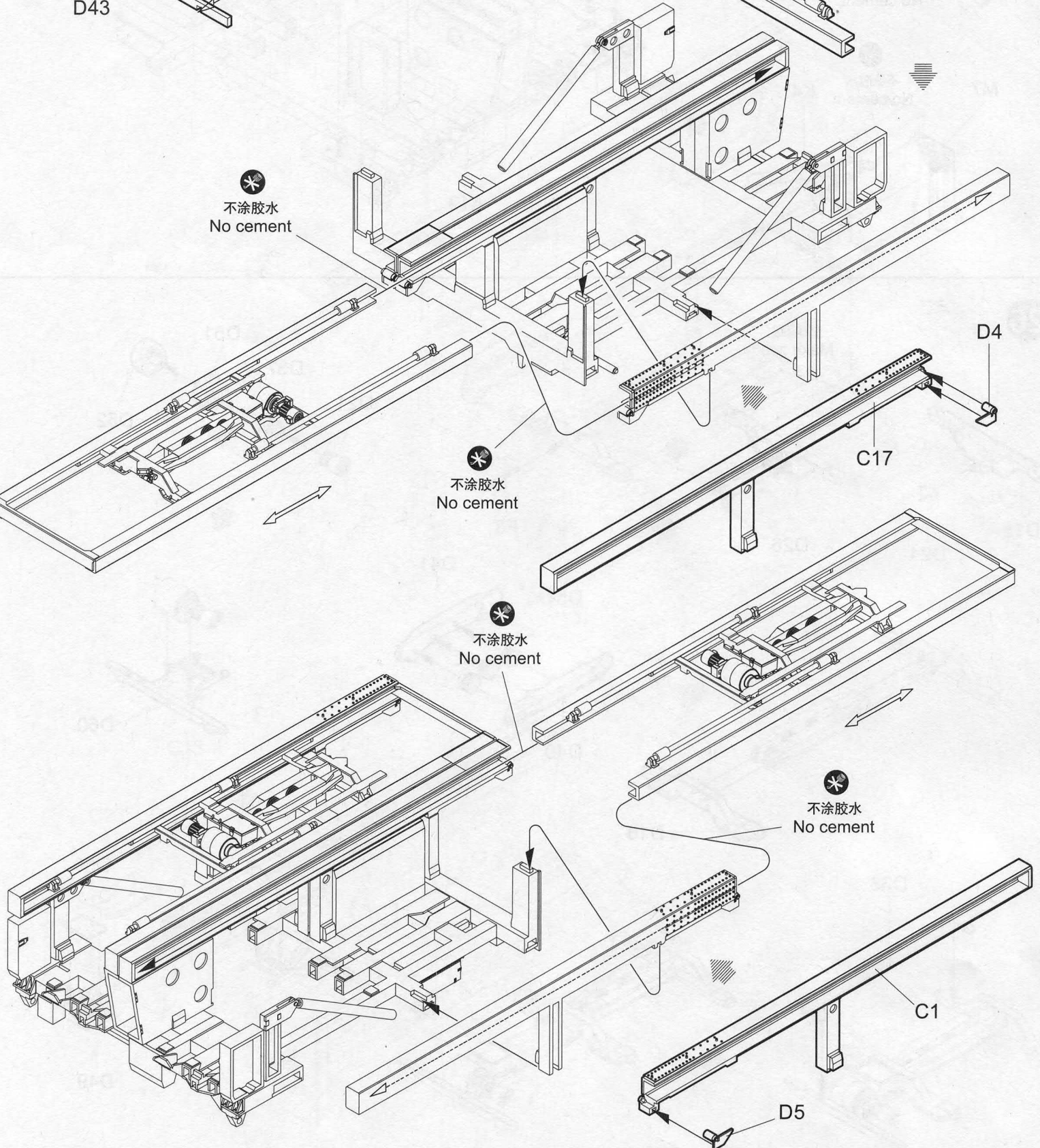
*
不涂胶水
No cement

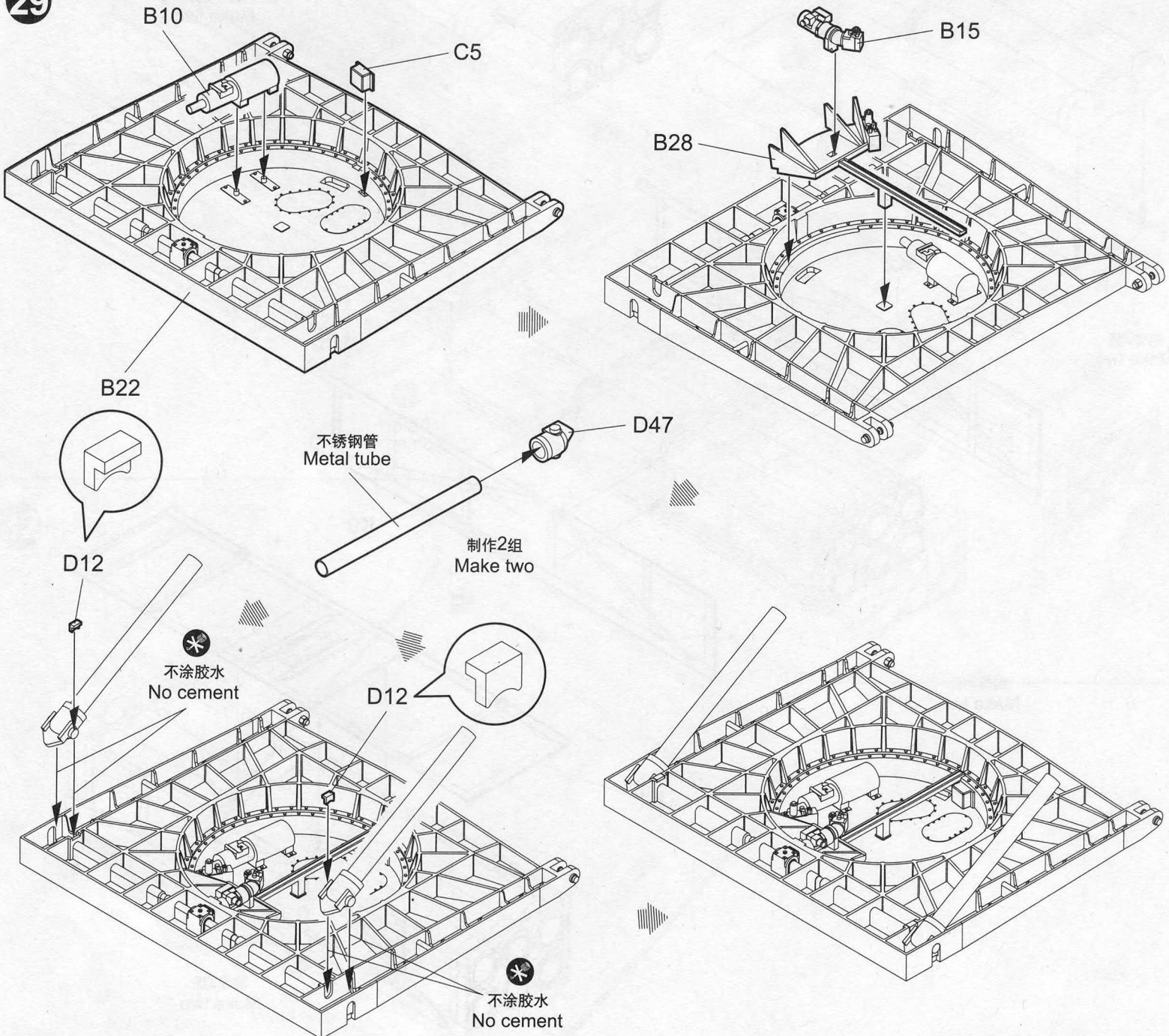
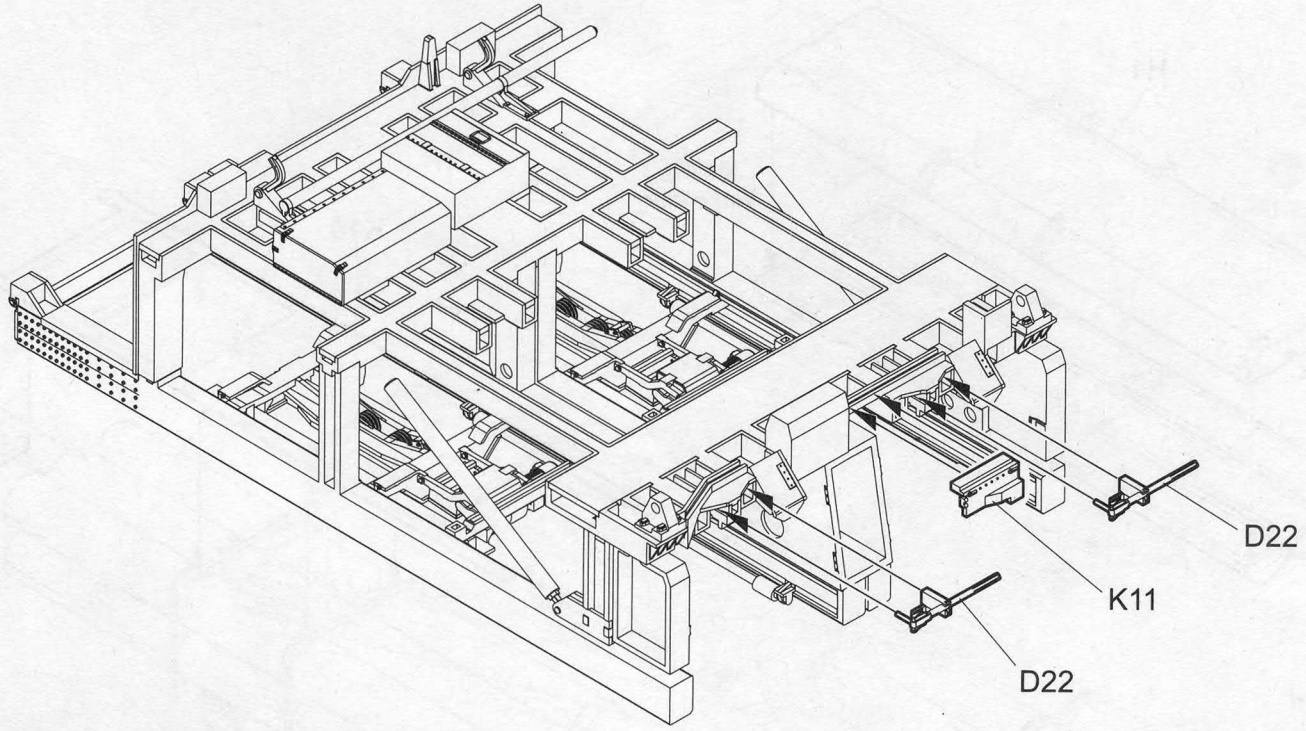
D4

C17

C1

D5





H1

制作4组
Make four

H2

K10

K3

制作2组
Make two

K8

制作2组
Make two

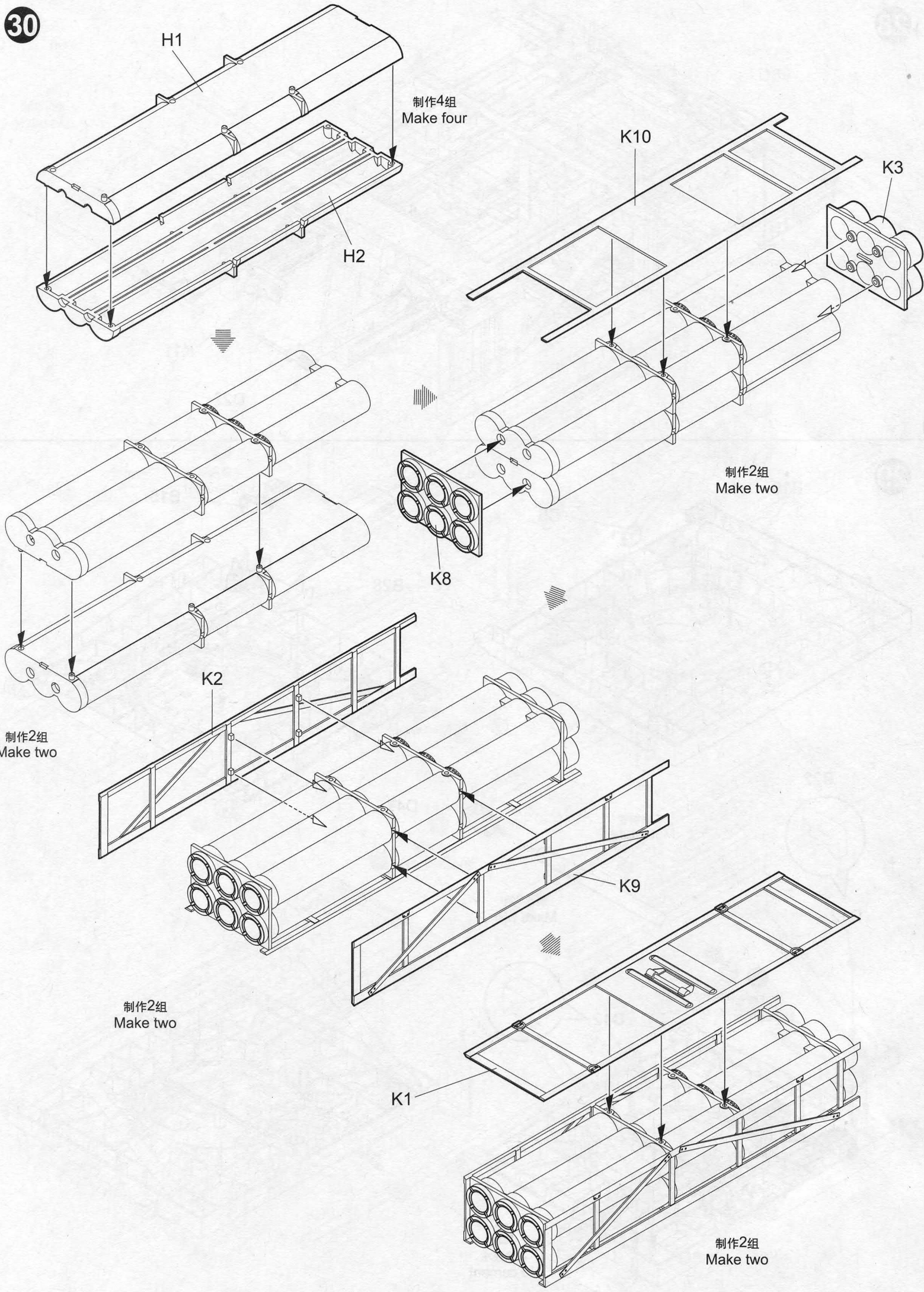
K2

K9

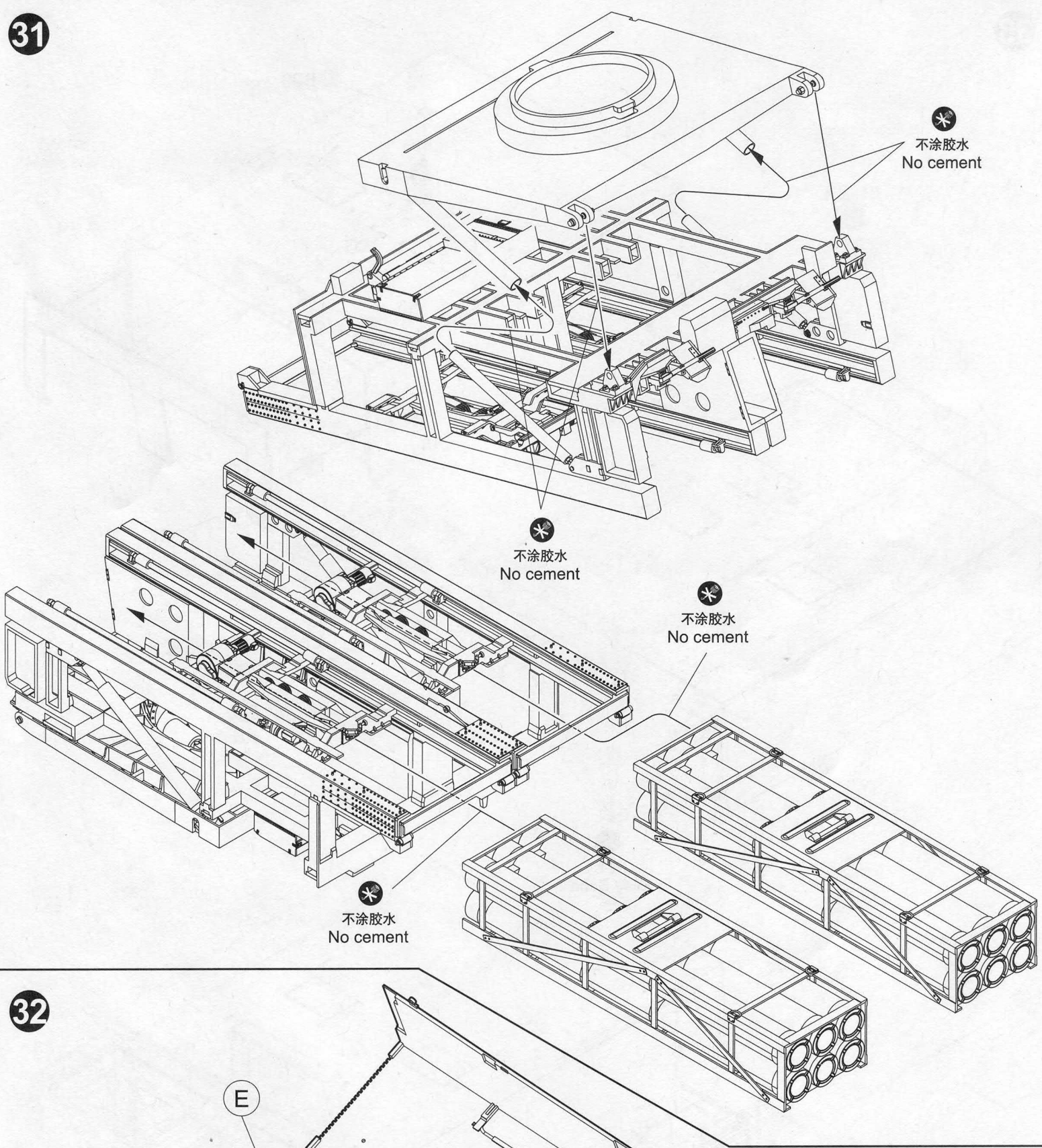
制作2组
Make two

K1

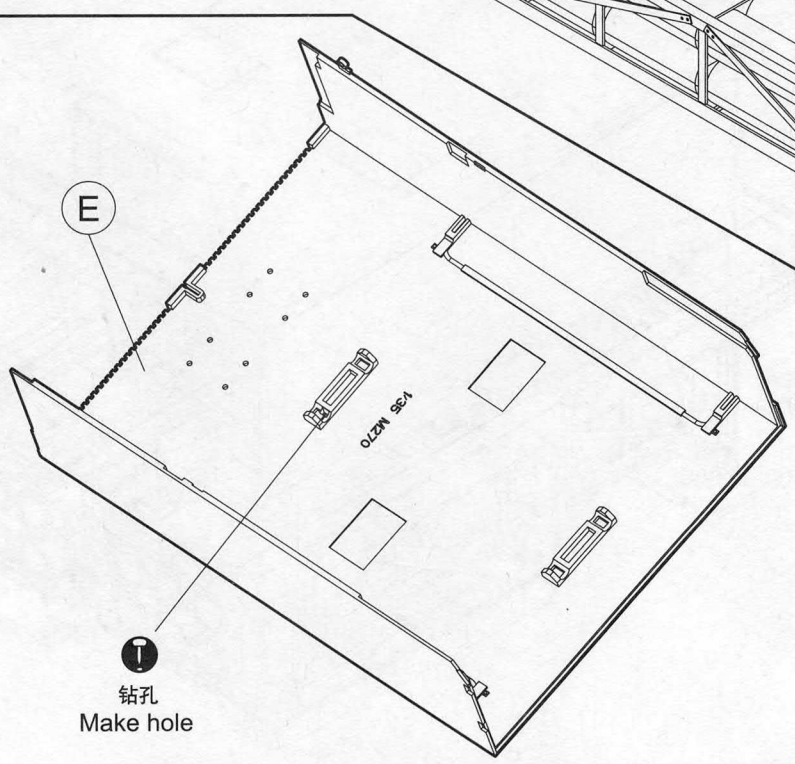
制作2组
Make two

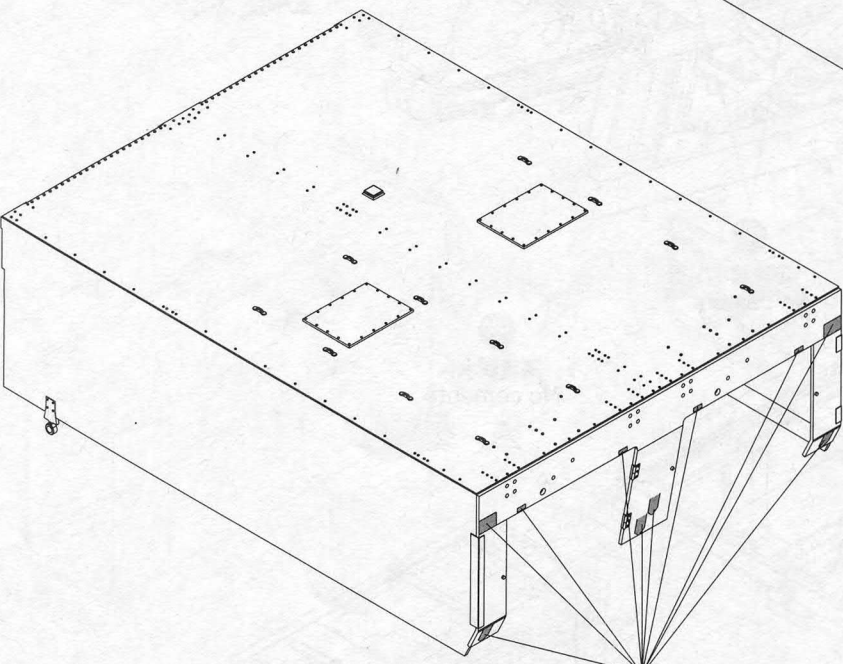
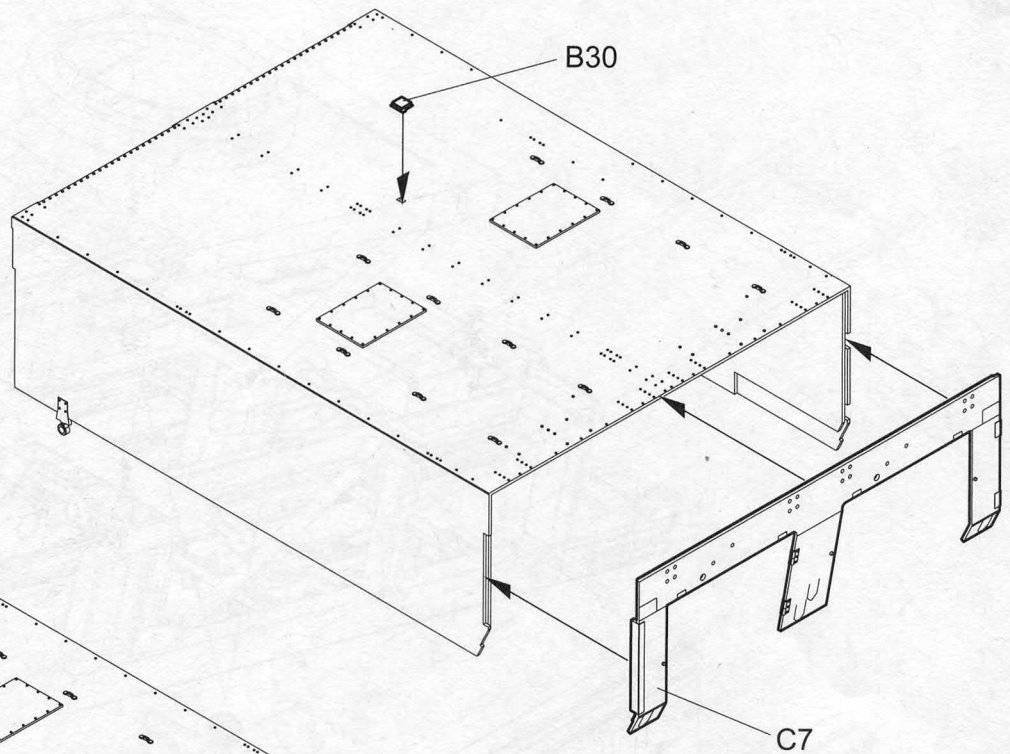


31

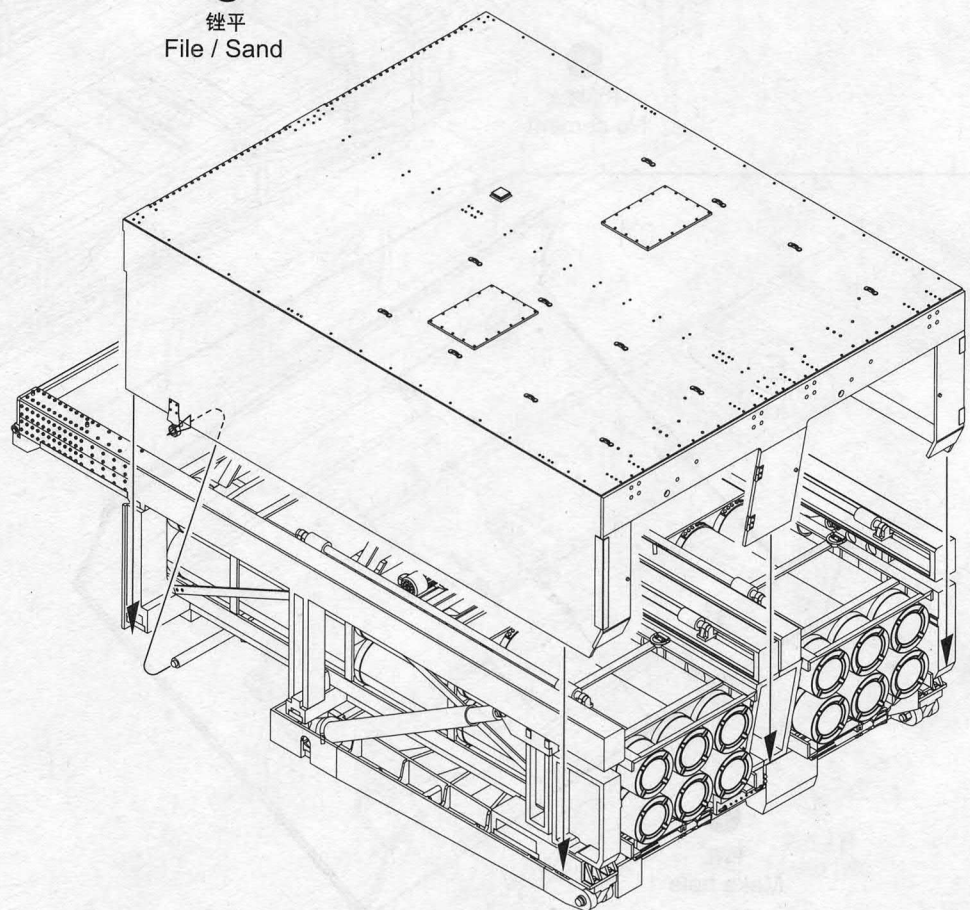


32





锉平
File / Sand



制作2组
Make two

制作2组
Make two

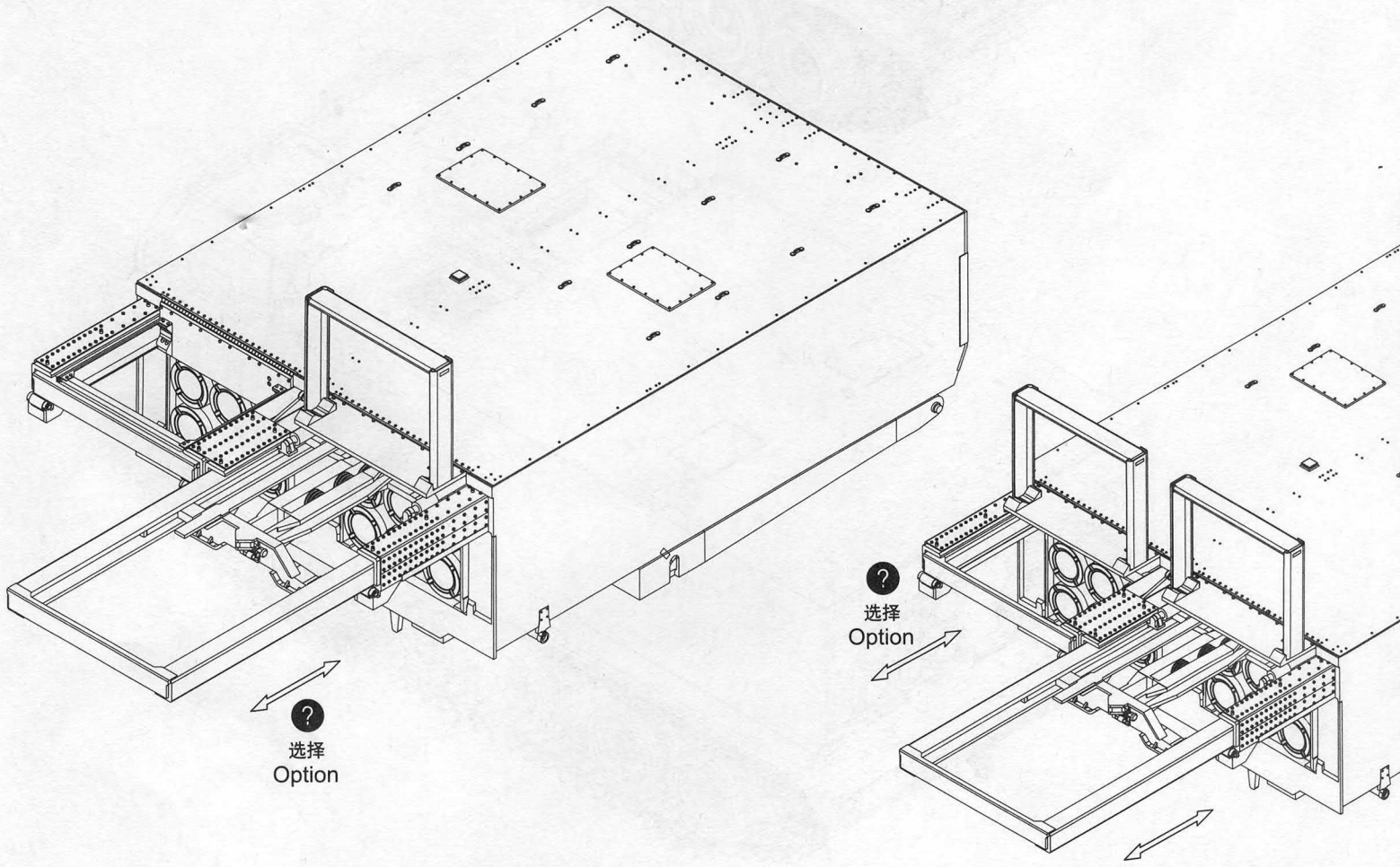
PE-7
弯曲
Bend

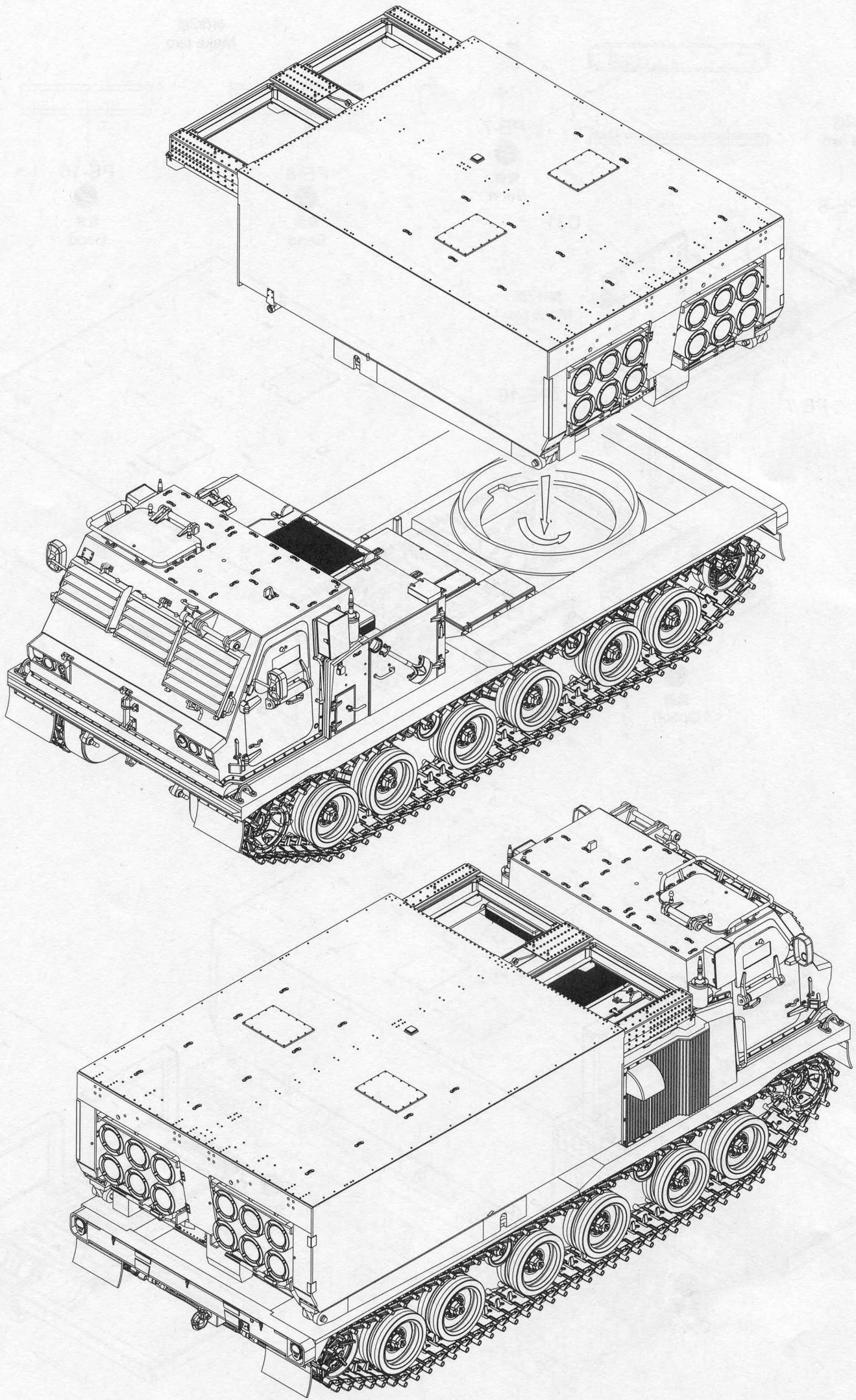
PE-8
弯曲
Bend

PE-18
弯曲
Bend

制作2组
Make two

?
选择
Option





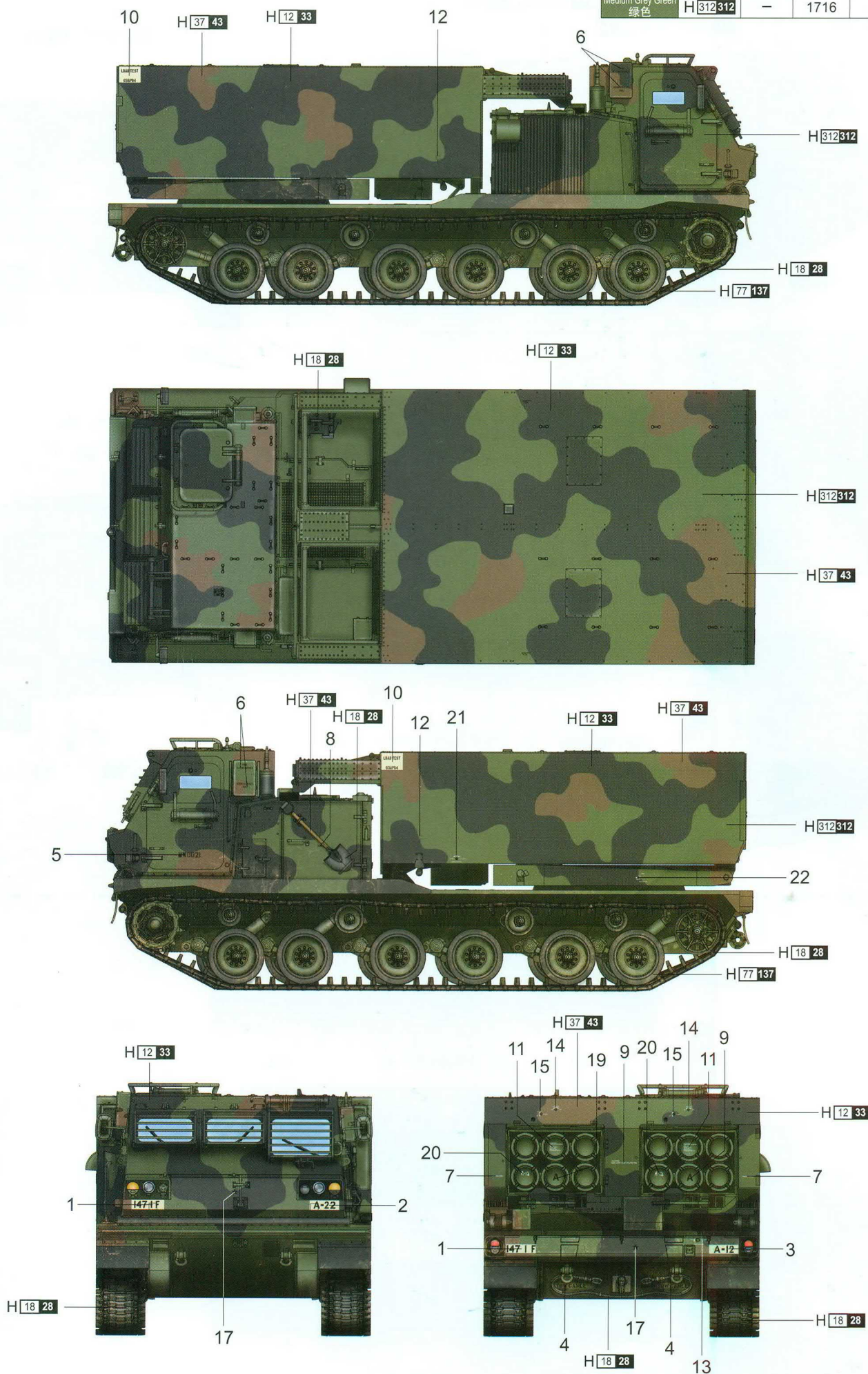
涂装同标贴指示

Painting & Marking guide

PAINT REFERENCE COLOUR

Color	Mr.Hobby	Vallejo	Model Master	Tamiya	Humbrol
Flat Black 消光黑	H 12 33	950	1749	XF1	33
Tire Black 胎黑色	H 77 137	—	—	—	—
Wood Brown 木棕色	H 37 43	983	1701	—	186
Medium Grey Green 绿色	H 312 312	—	1716	—	120

A



涂装同标贴指示

Painting & Marking guide

PAINT REFERENCE COLOUR

Color	Mr.Hobby	Vallejo	Model Master	Tamiya	Humbrol
Steel 黑铁色	H 18 28	864	1402	—	—
Sandy Brown 沙褐色	H 19	—	—	—	—
浅奶油黄	H 87	—	—	—	—

