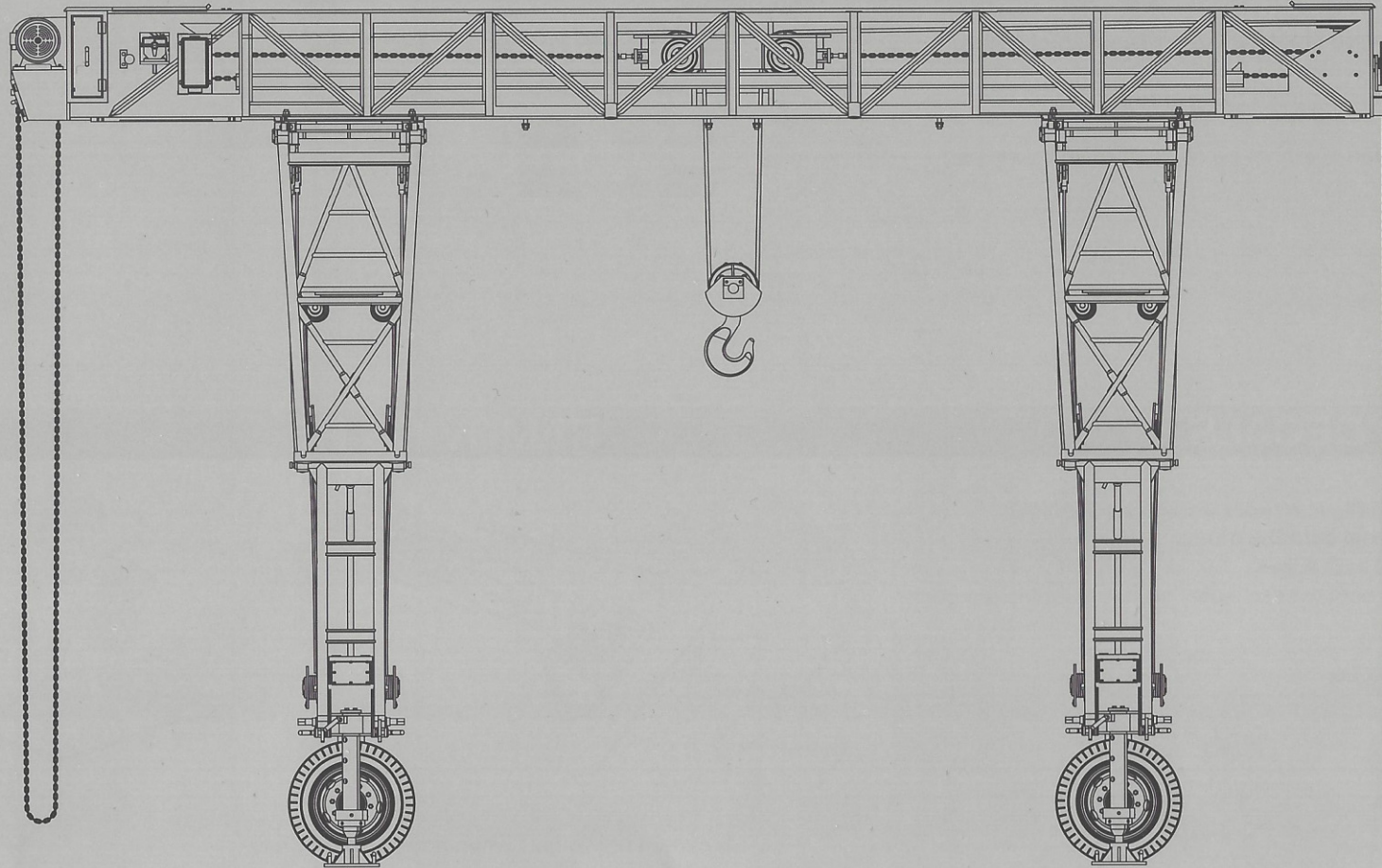


FRIES KRAN 16t STRABOKRAN

1943/44 Production



At the outset of WWII, German armored units were equipped with mostly light and tanks, accompanied by repair echelons consisting of gantry cranes with lifting capacities of up to 6 tons. However, after facing heavier Soviet tanks on the eastern front, the Wehrmacht began suffering heavy losses and soon realized the need for more heavily armored tanks to fight on the rapidly evolving battlefield. This led to the development of the heavy tanks such as the Tigers & Panthers, weighing as much as 30 tons. The existing gantry cranes in field maintenance units were too weak to service the new heavy tanks, so the Germans turned to the mobile gantry cranes manufactured by J.S Fries Frankfurt am Main which were developed in the 1930's for lifting heavy loads in ports & railroad facilities.

The Strabokran (Strassen bock kran, or road gantry crane) consisted of a horizontal gantry supported by a pair of collapsible support towers. The gantry housed a winch on a rail-mounted trolley. A motor was mounted at one end for powered lifting, and a hand-powered chain wheel was mounted at the opposite end for driving the horizontal movement of the trolley. Each of the twin support towers consisted of four hinged scissor-sections, which were erected by cables via a hand-cranked winch mounted in the base of each tower, and then locked together. Strabokrans with 15t, 16t and 20t lifting capacities were developed in different years, and were towed by Sd.Kfz 8 and Sd.Kfz. 9 halftracks. Approximately 100 Strabokrans were built, some of which were license-built at the company Stratenwerth in Duisburg until the war's end, and were supplied to units equipped with Tiger's & Panthers, as well as V2 units.

03.02.2109

READ BEFORE ASSEMBLY

CAUTION

- Read carefully and fully understand the instructions before commencing assembly. A supervising adult should also read the instructions if a child assembles the model.
- When assembling this kit, tools including knives used. Extra care should be taken to avoid personal injury.
- Keep out of reach of small children. Children must not be allowed to suck any part, or pull vinyl bag over their heads.



Optional



Do Not Cement



Drill

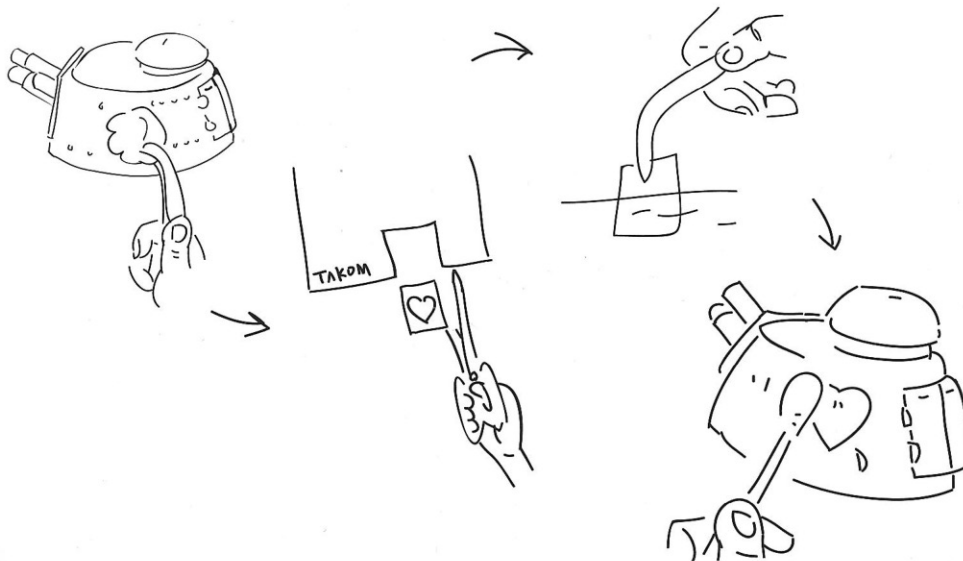
PAINTS REQUIRED

Color info and profiles by Mig Jimenez

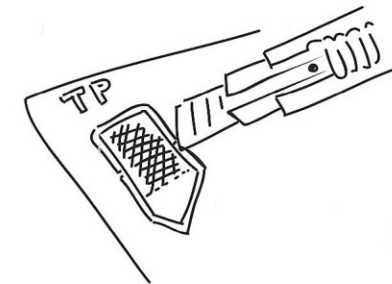
A.MIG 033	Rubber & Tires	A.MIG 050	Matt Withe	A.MIG 192	Polished Metal	A.MIG 195	Silver
A.MIG 010	Dunkelgelb Mid war	A.MIG 002	Olivgrun Opt.2	A.MIG 011	Dunkelgelb Aus '44 DGI	A.MIG 001	Olivgrun Opt.1
A.MIG 015	Schokobraun	A.MIG 024	Washable White Camo				

APPLYING DECALS

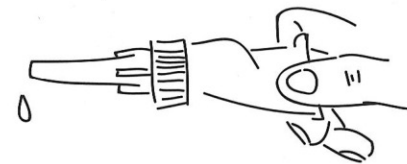
1. Clean the model surface with a wet cloth.
2. Cut out each decal design from sheet, and dip it in tepid water for 15~20 sec.
3. Hold the backing sheet edge and slide decal onto the model.
4. Move decal into position by wetting decal with finger.
5. Press decal gently down with a soft cloth until excess water and air bubbles are gone.



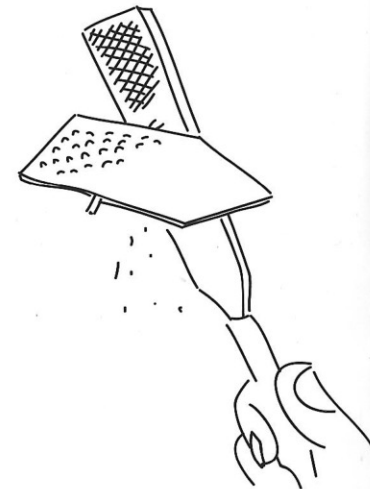
REMOVING PE



Be careful not to hurt when removing PE parts.

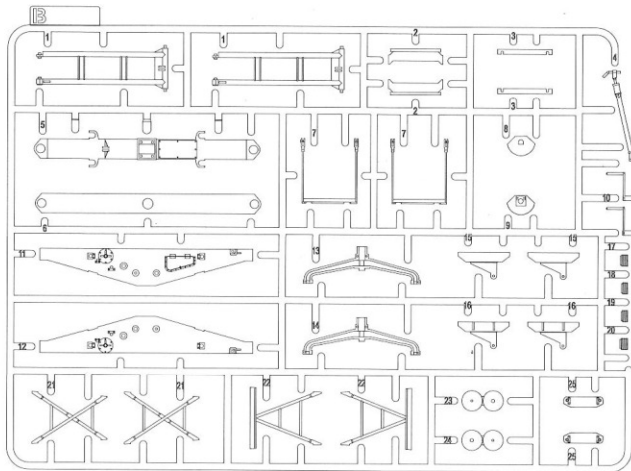


Secure using instant glue (not included).

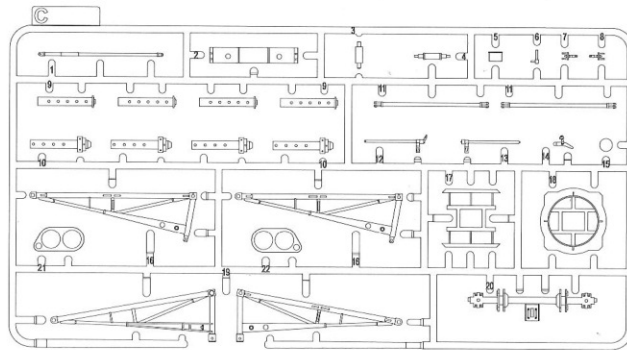


Finish using file.

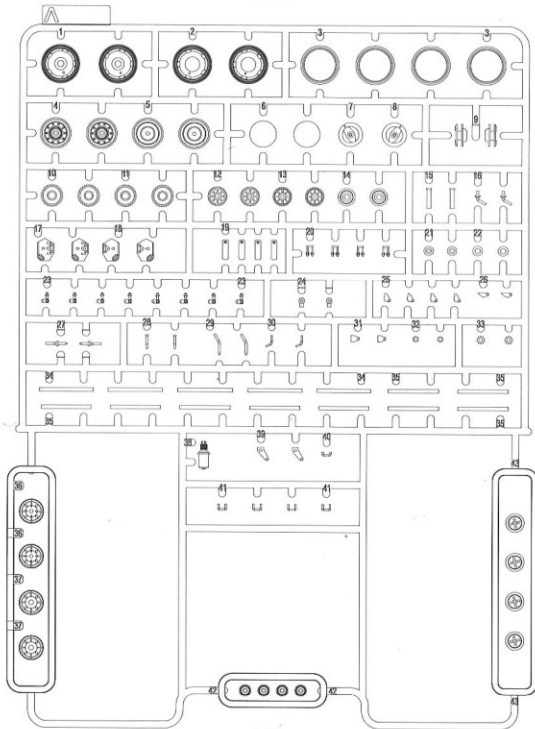
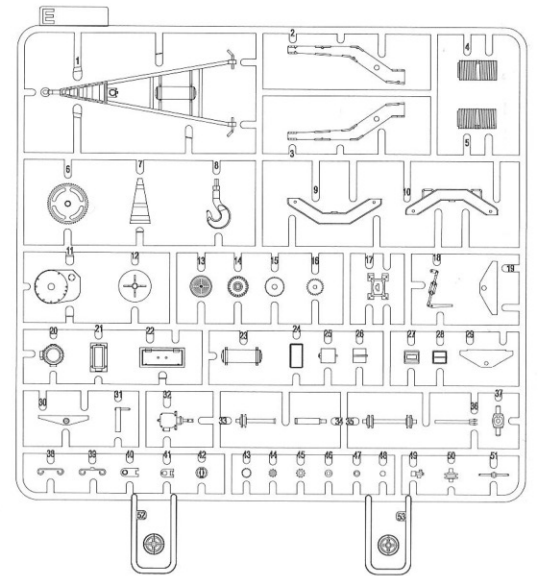
PARTS



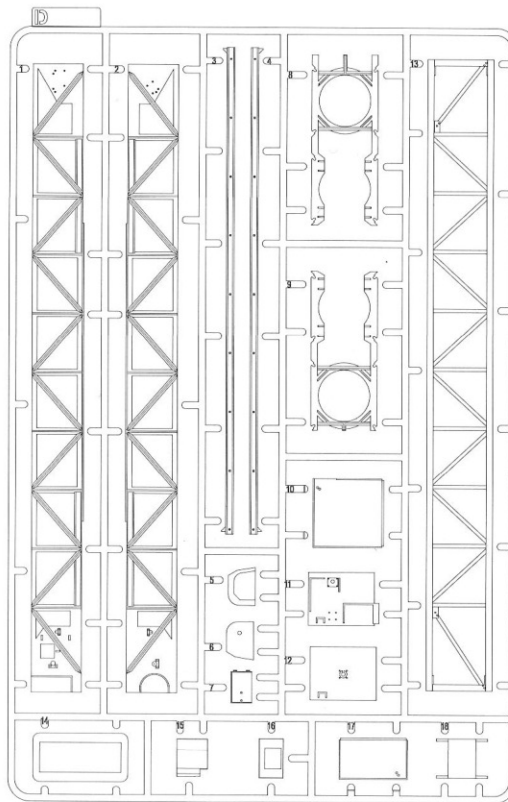
X2



X2



X2



2



X8



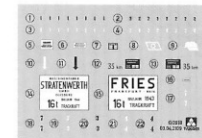
Chain



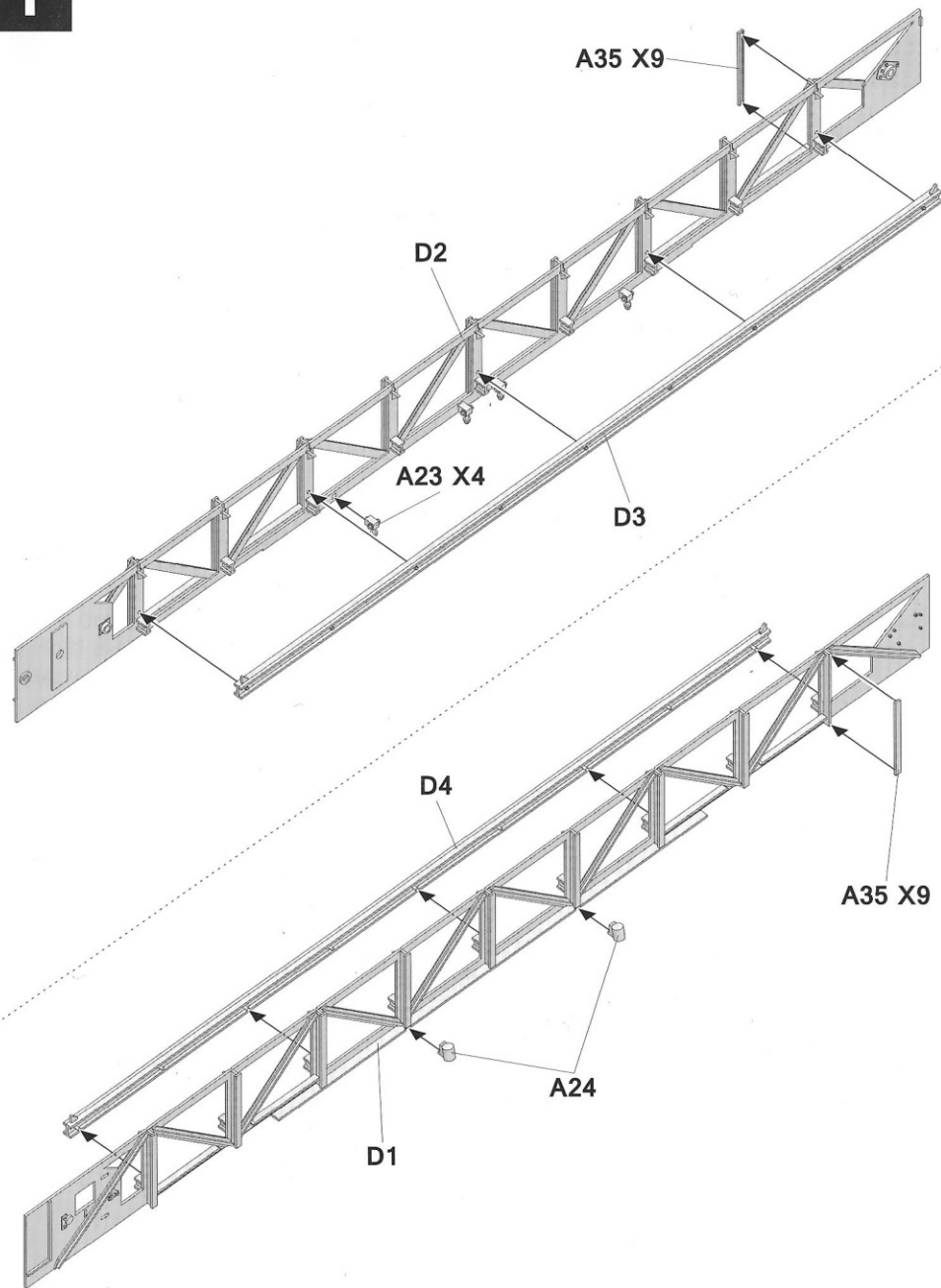
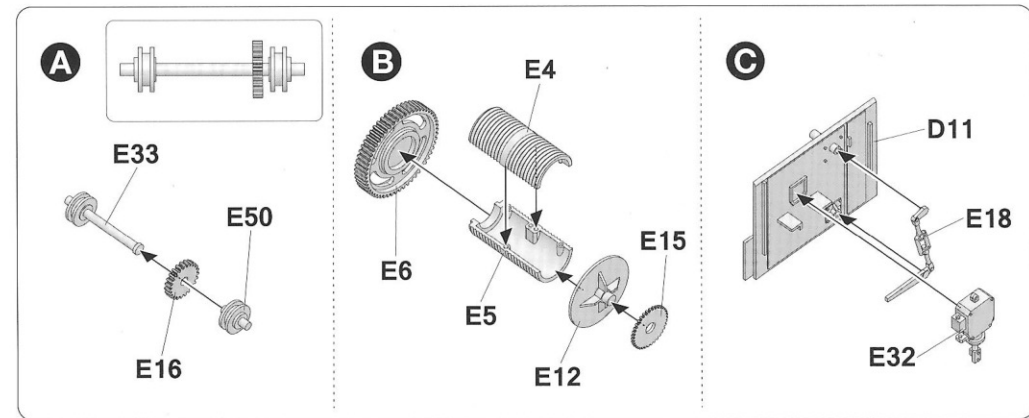
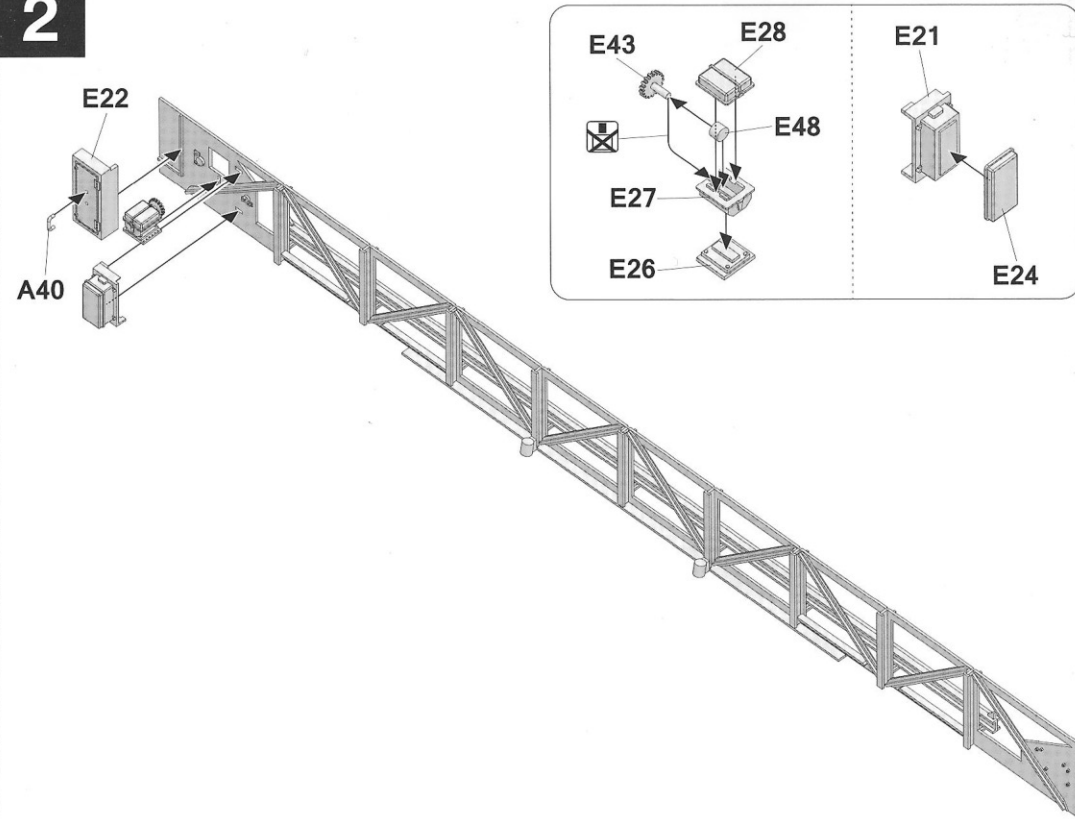
Nylon Rope 2

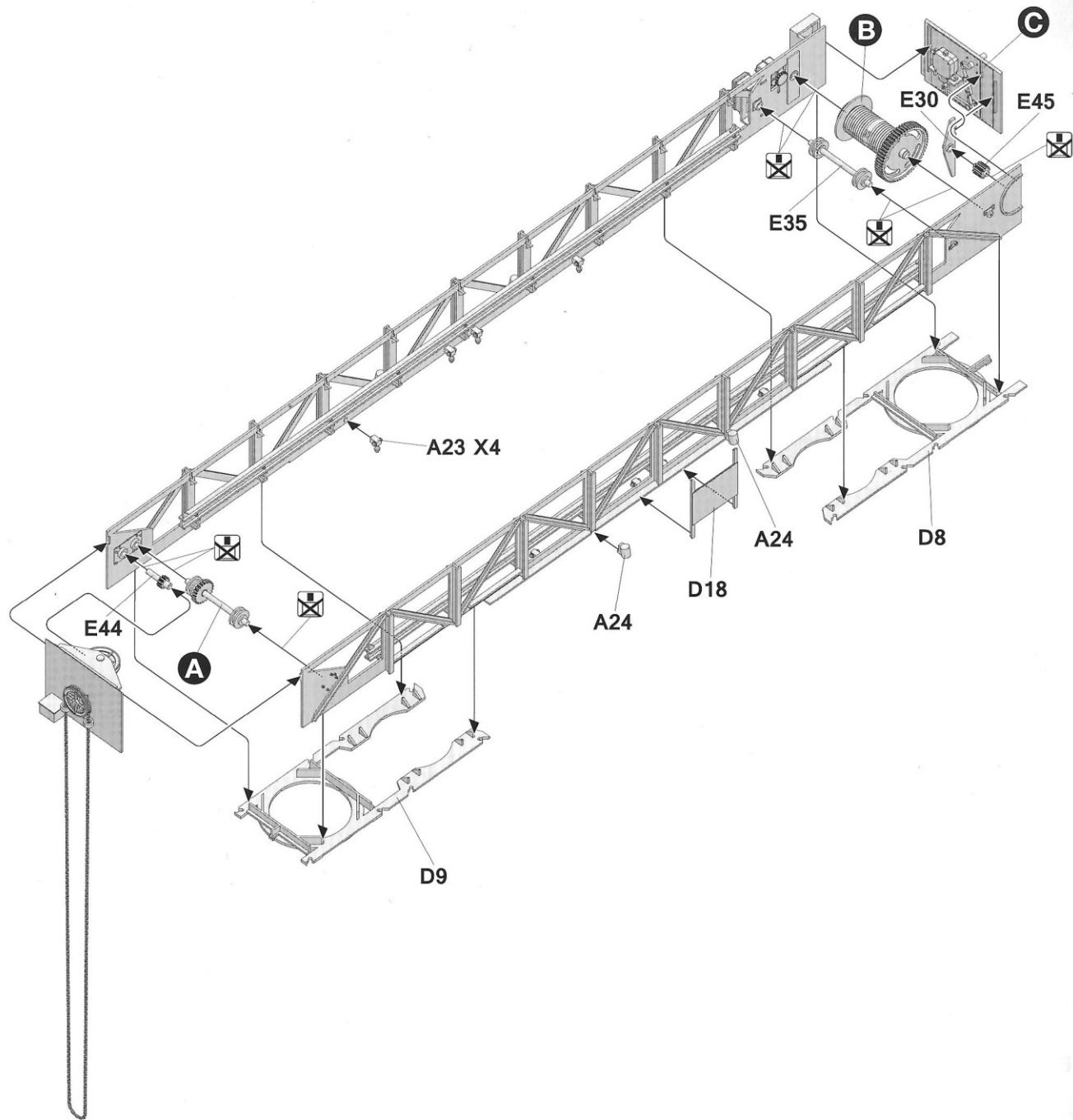
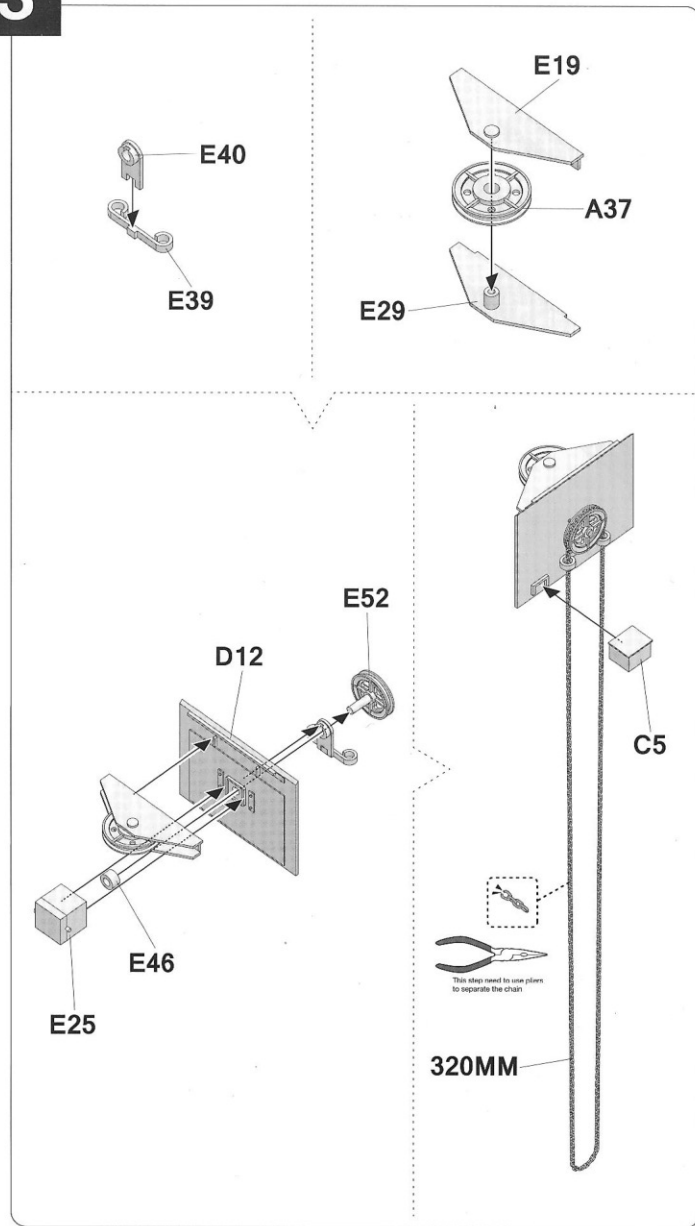


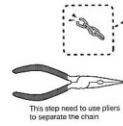
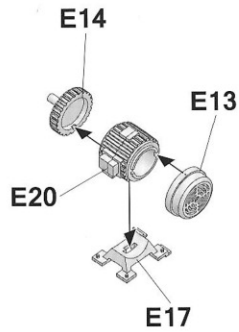
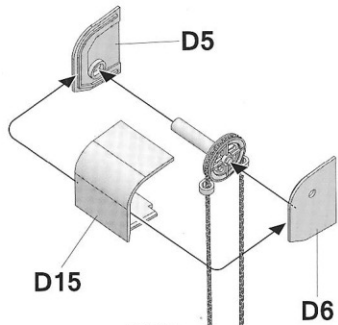
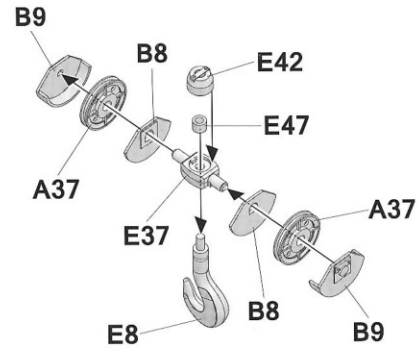
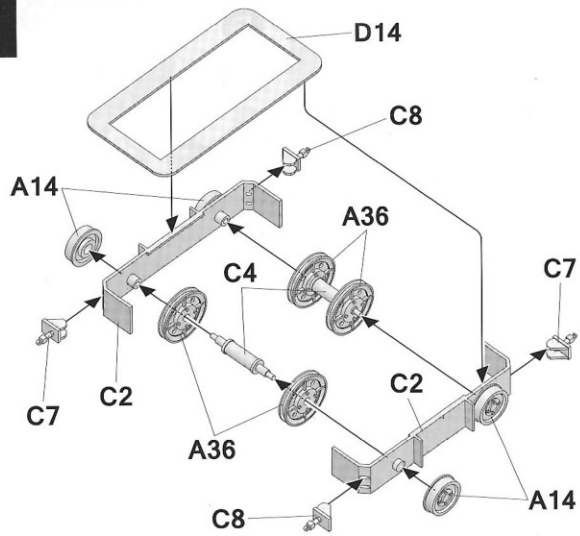
Nylon Rope 1



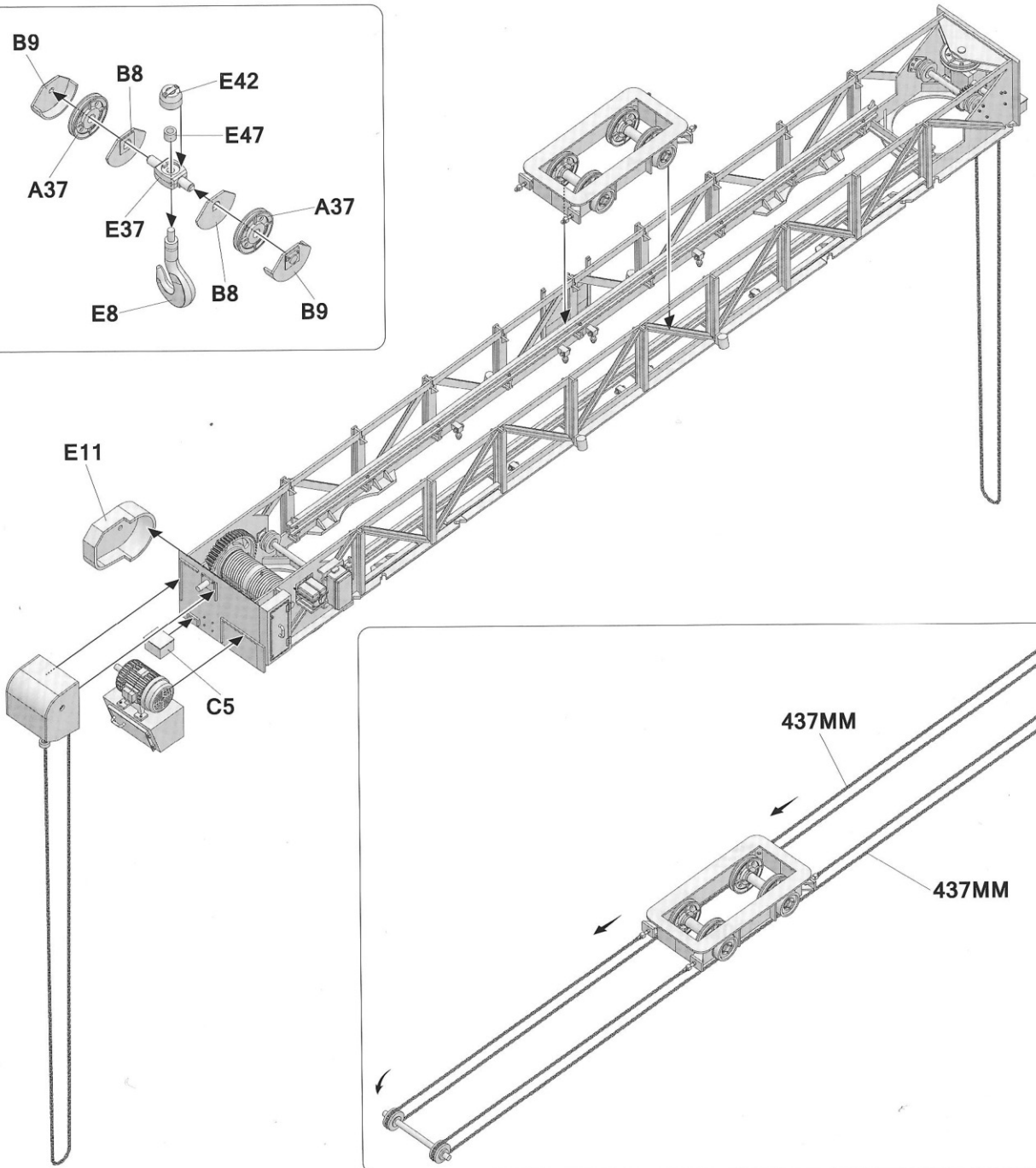
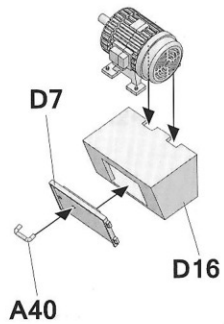
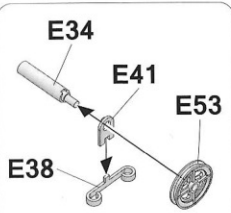
Decal

1**2****3**

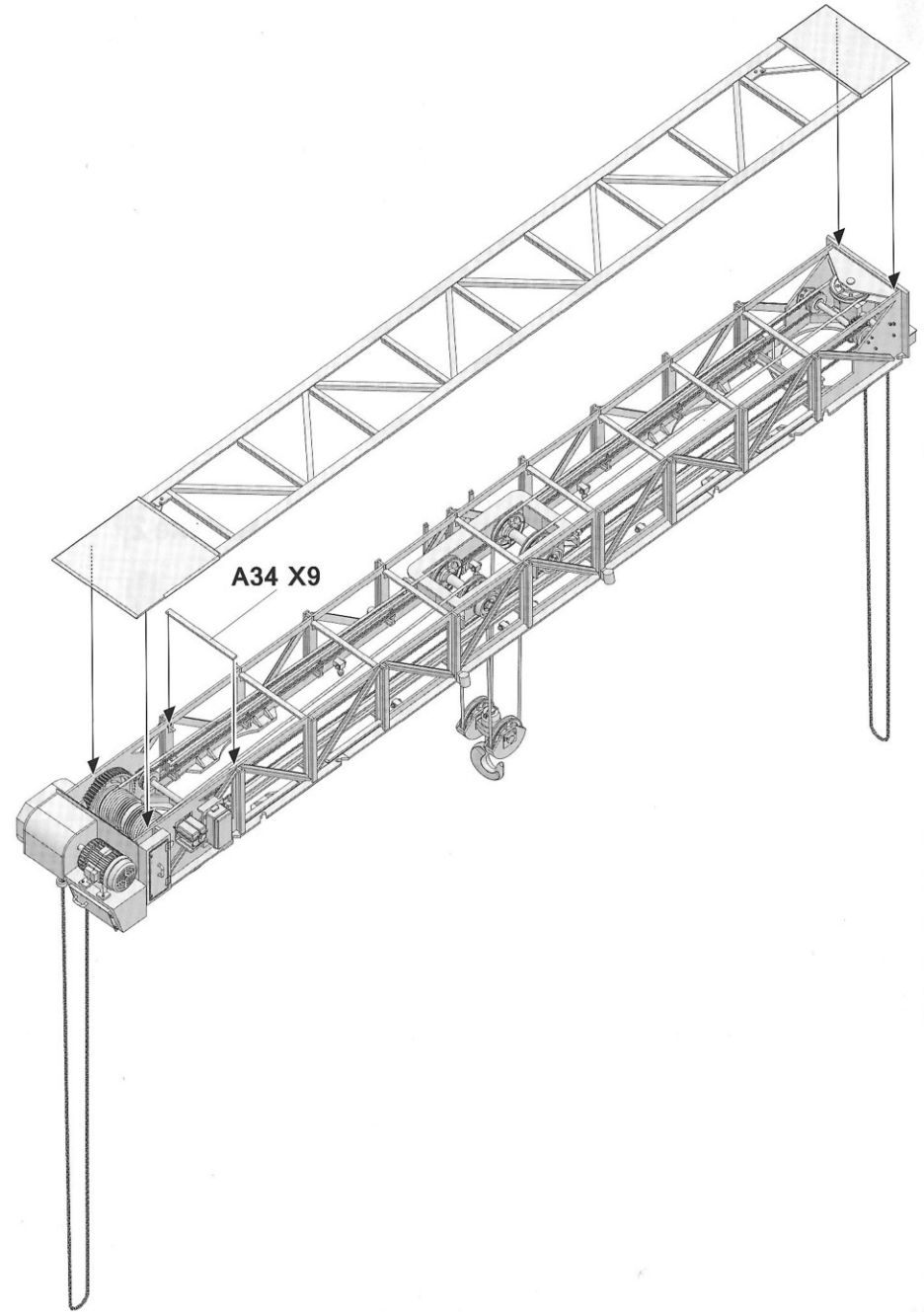
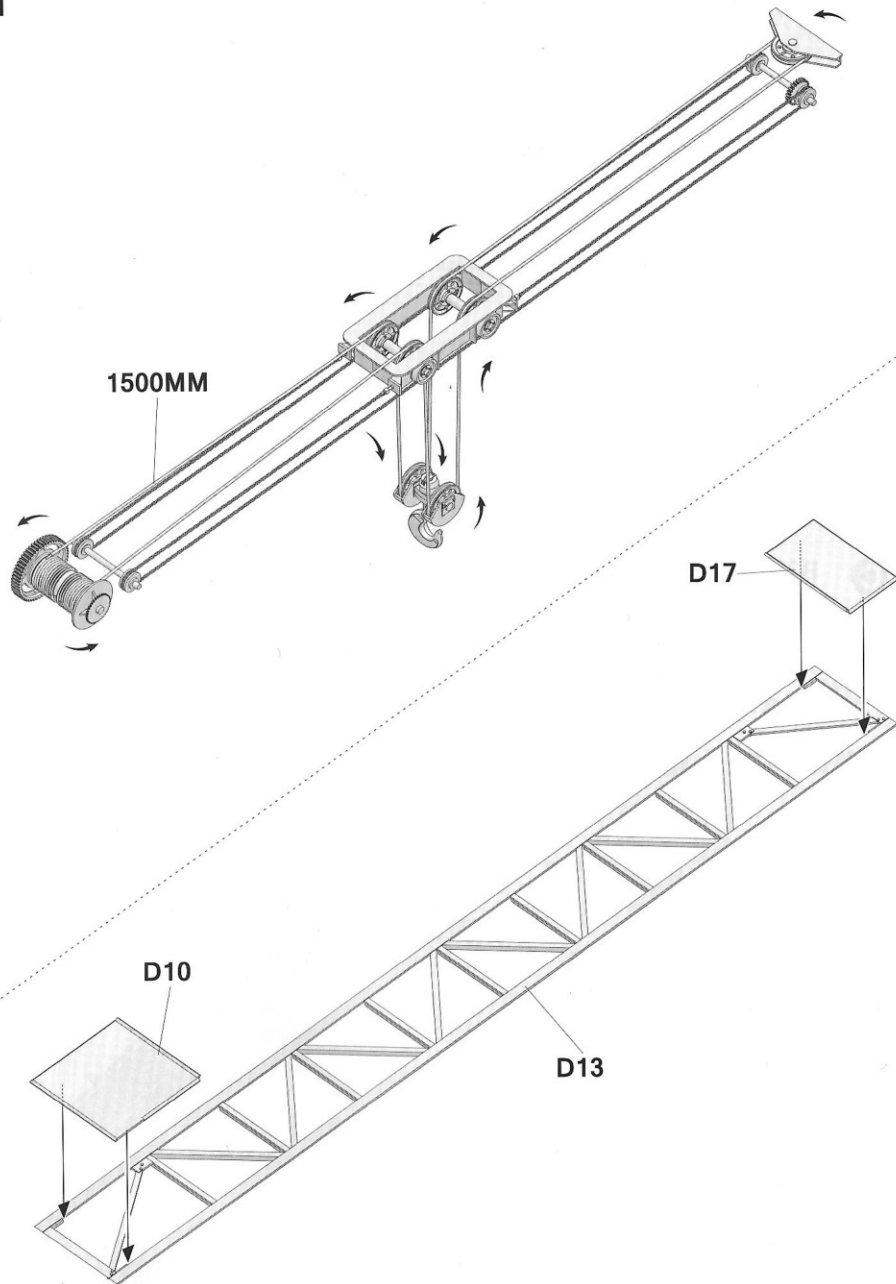




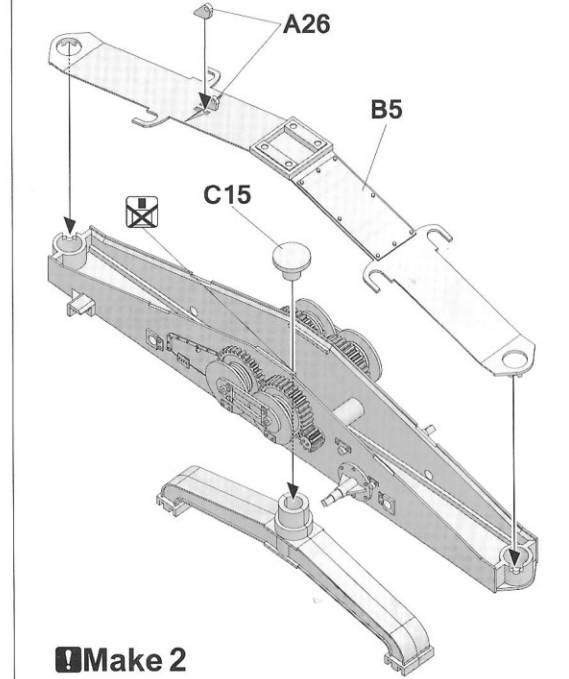
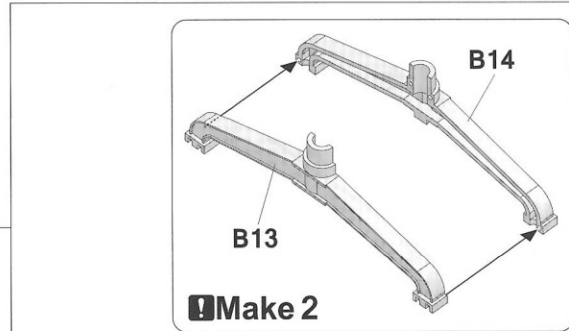
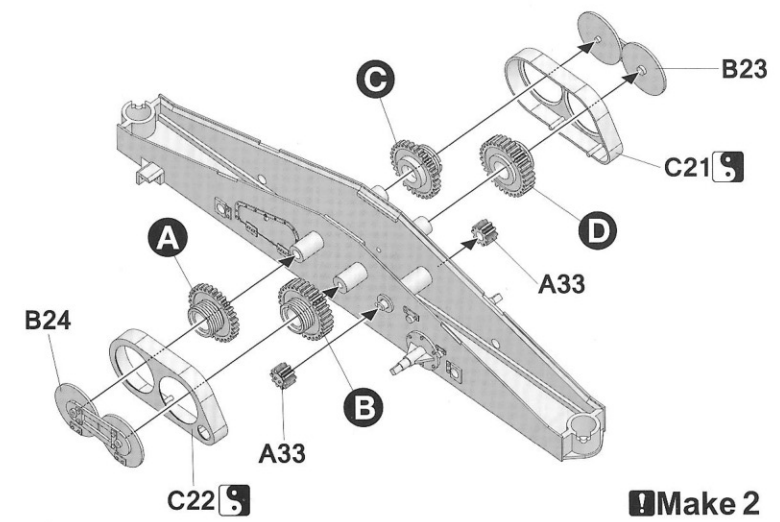
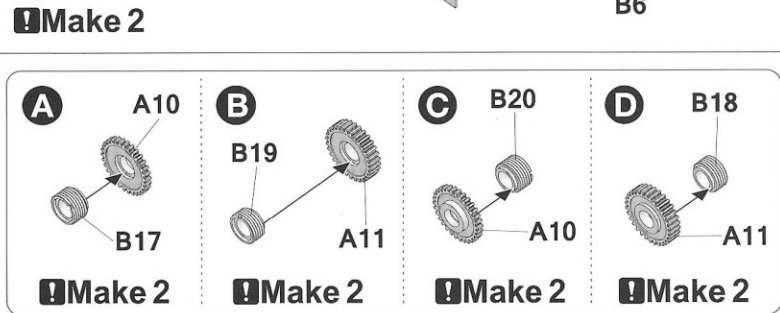
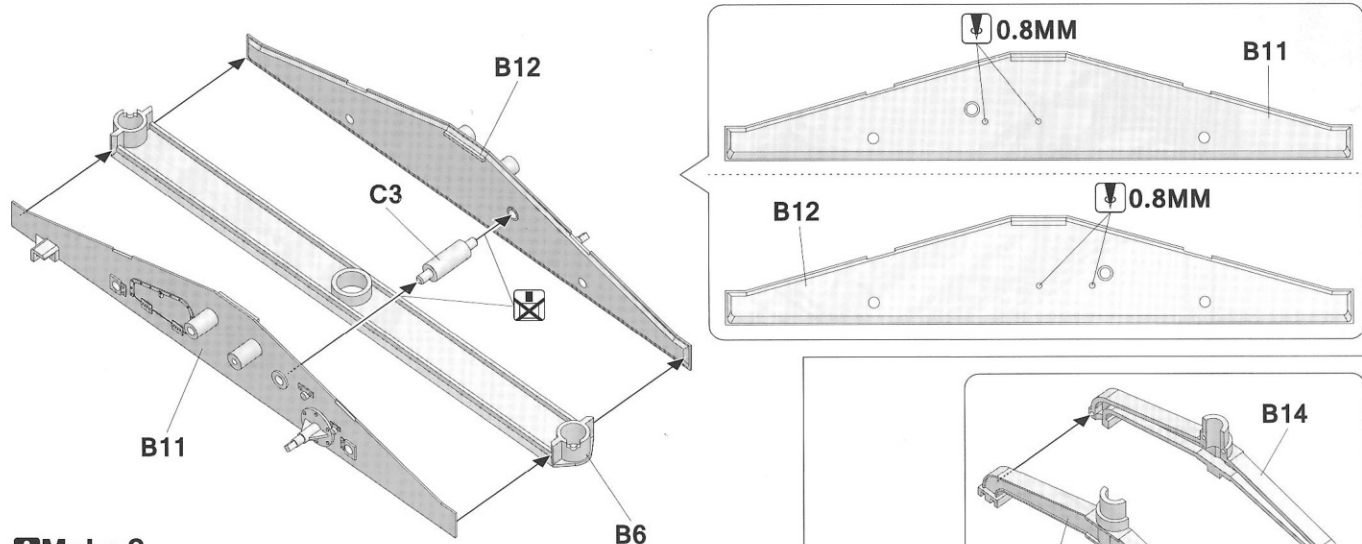
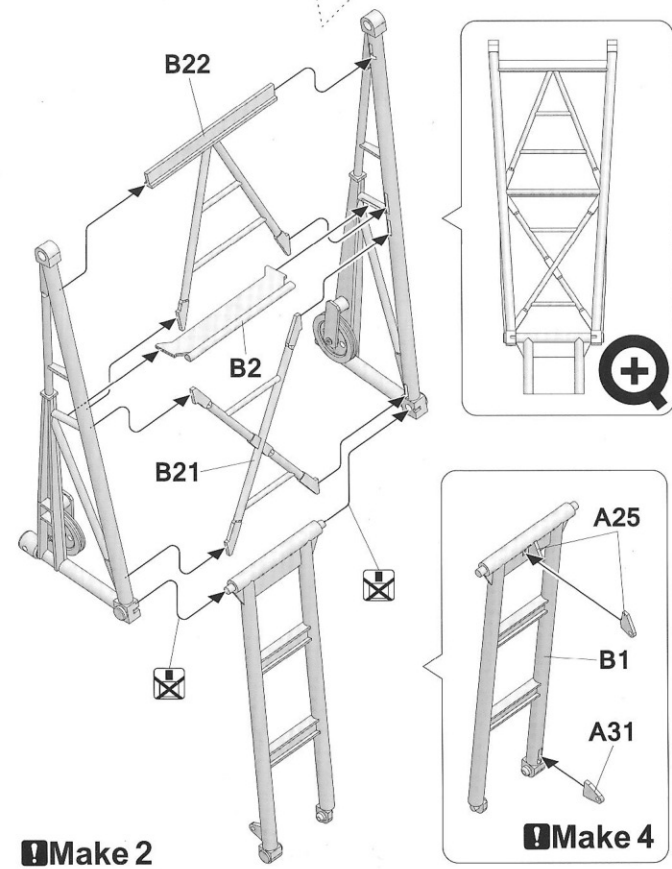
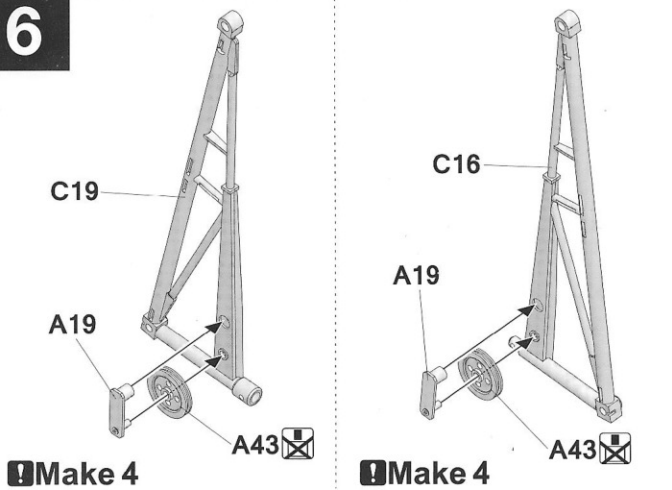
320MM

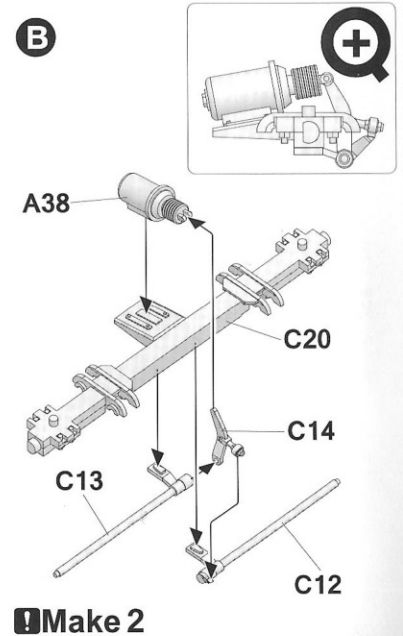
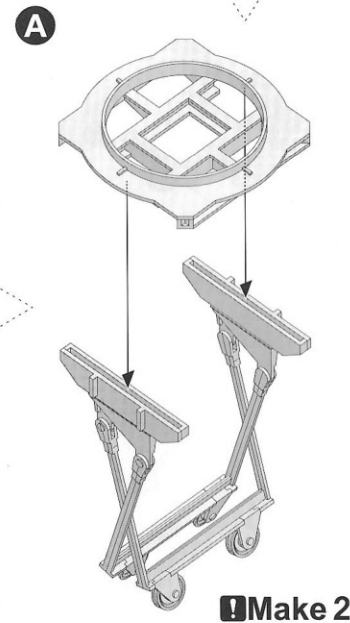
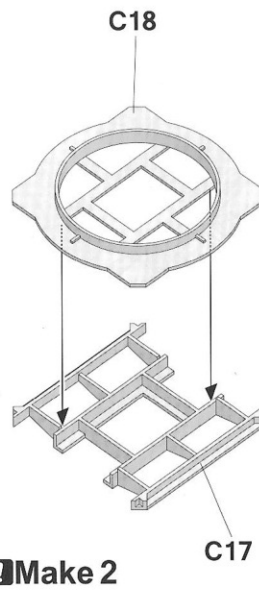
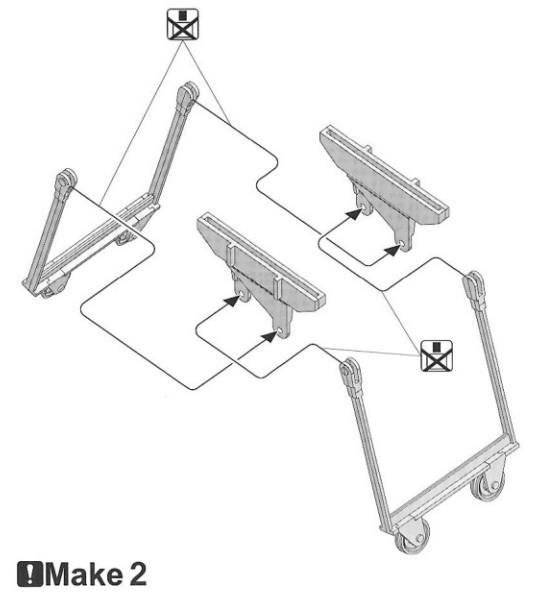
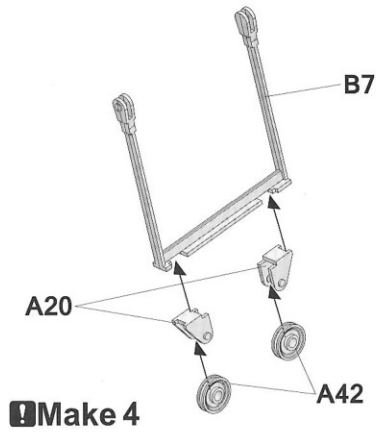
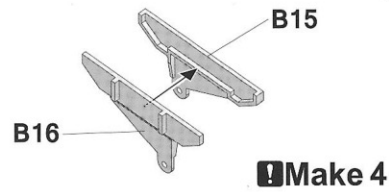
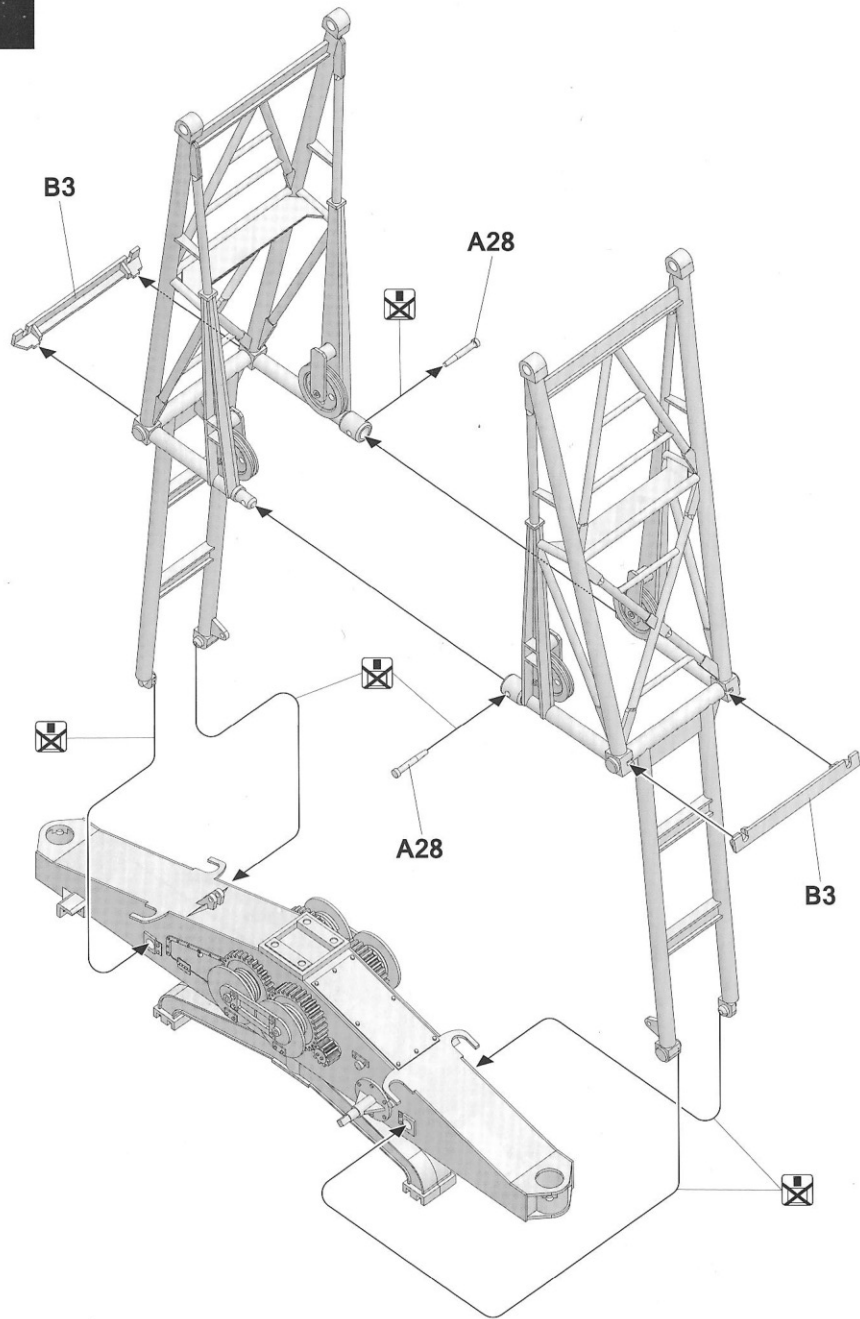


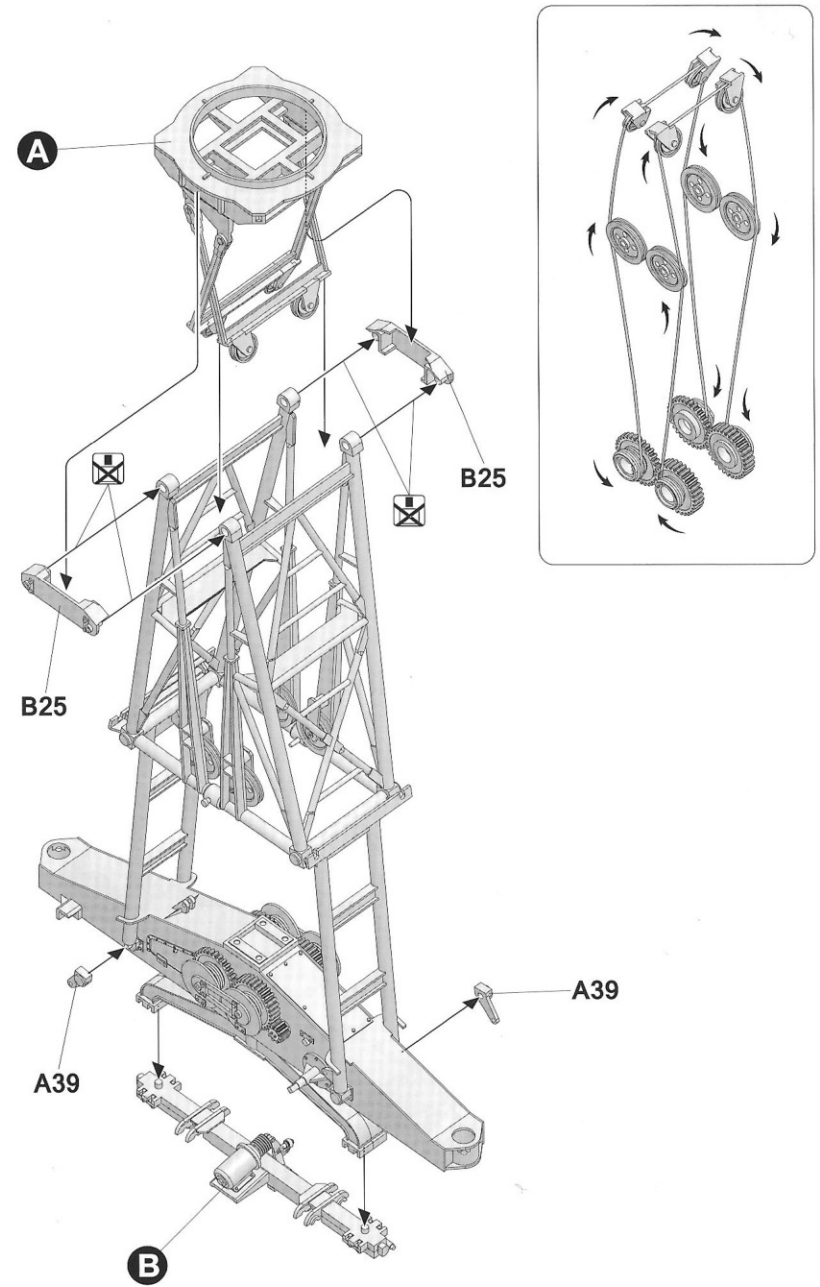
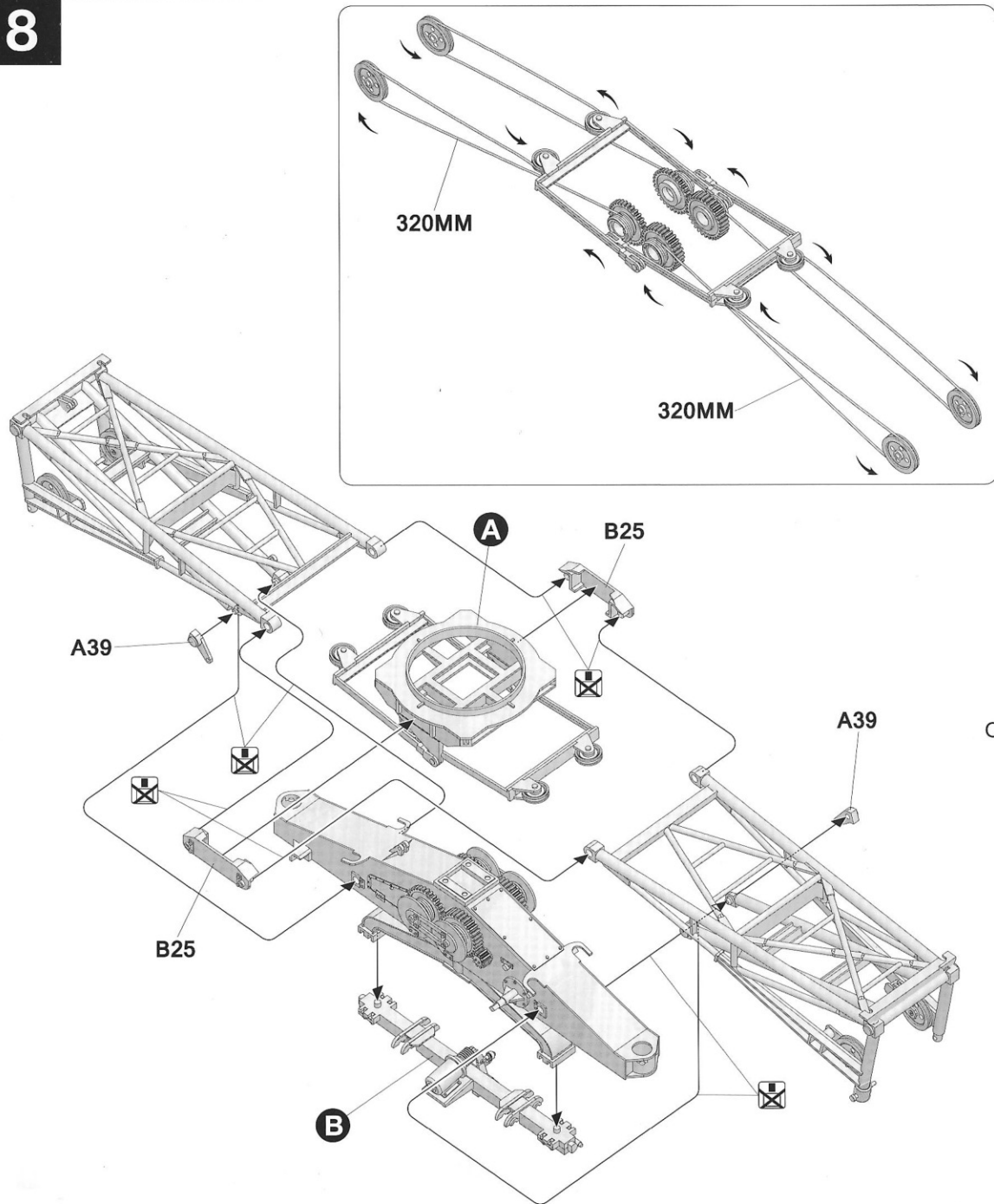
5

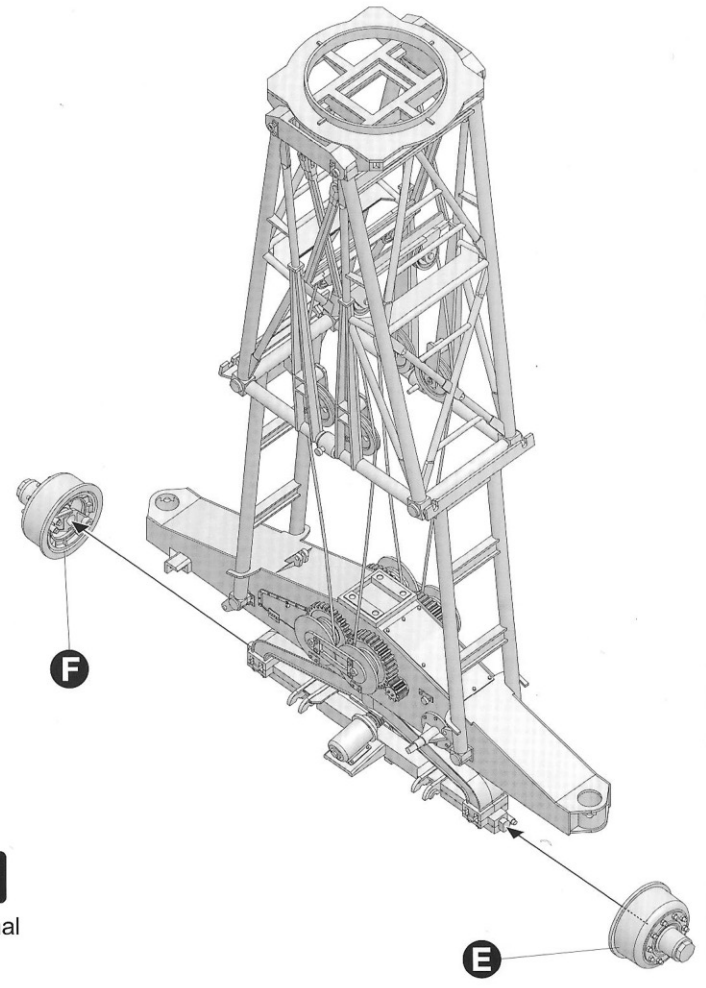
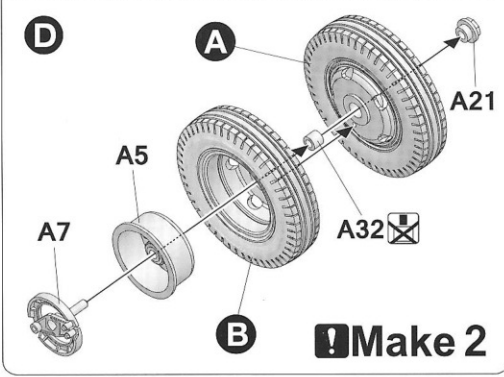
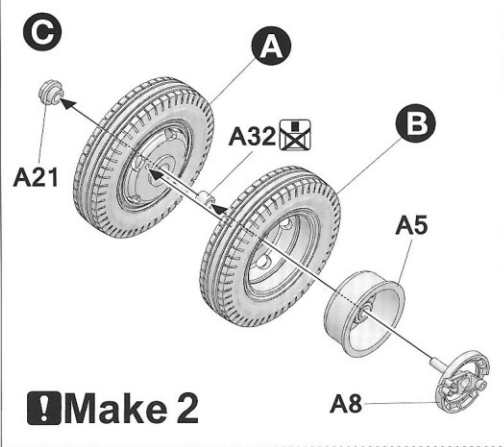
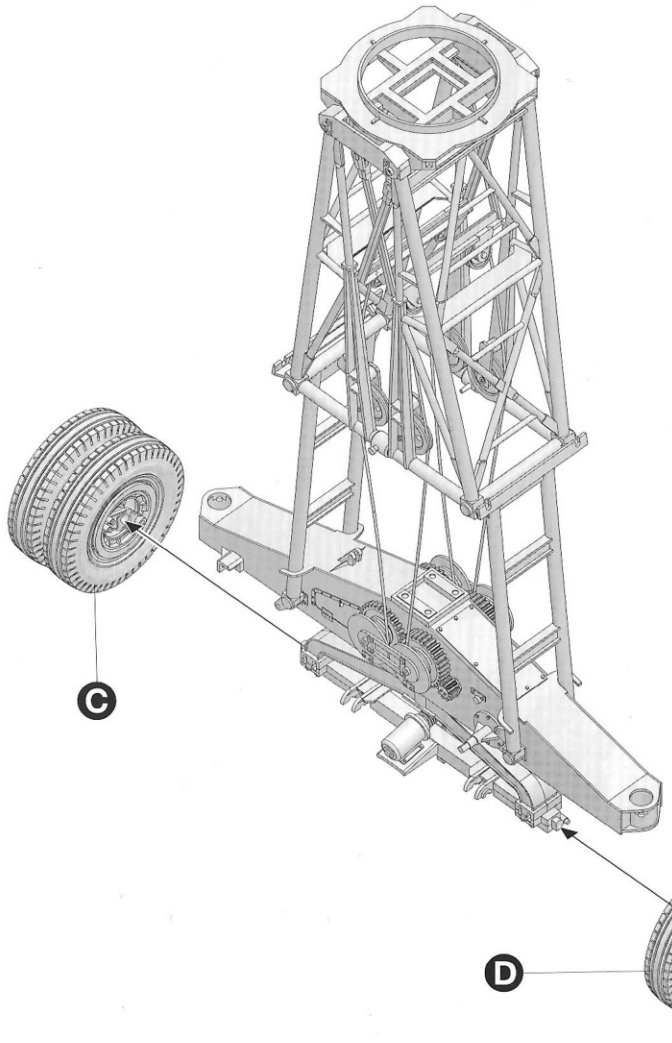
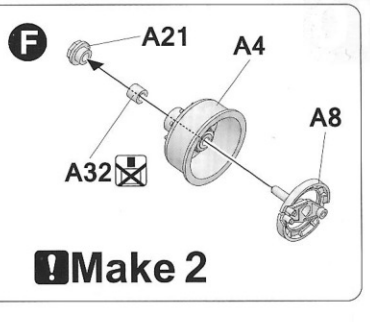
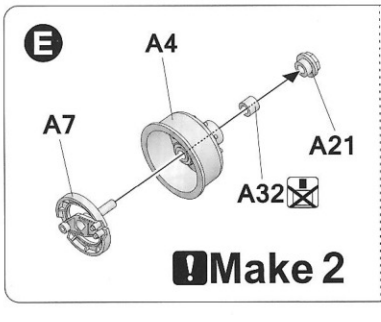
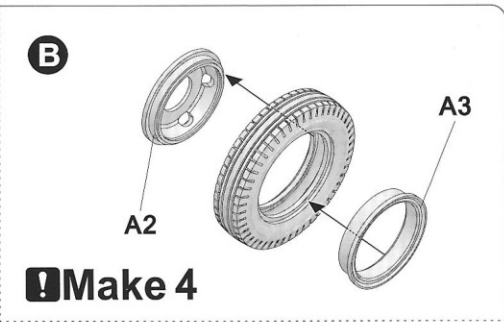
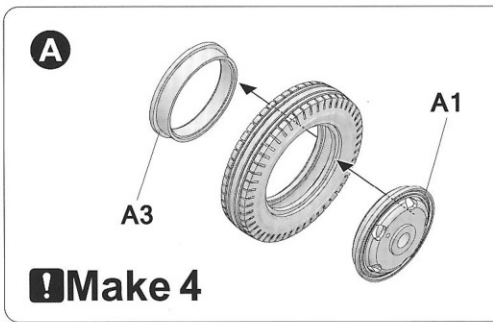


6

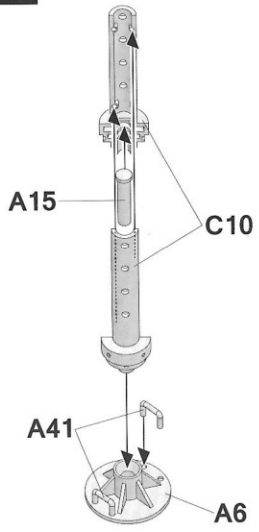








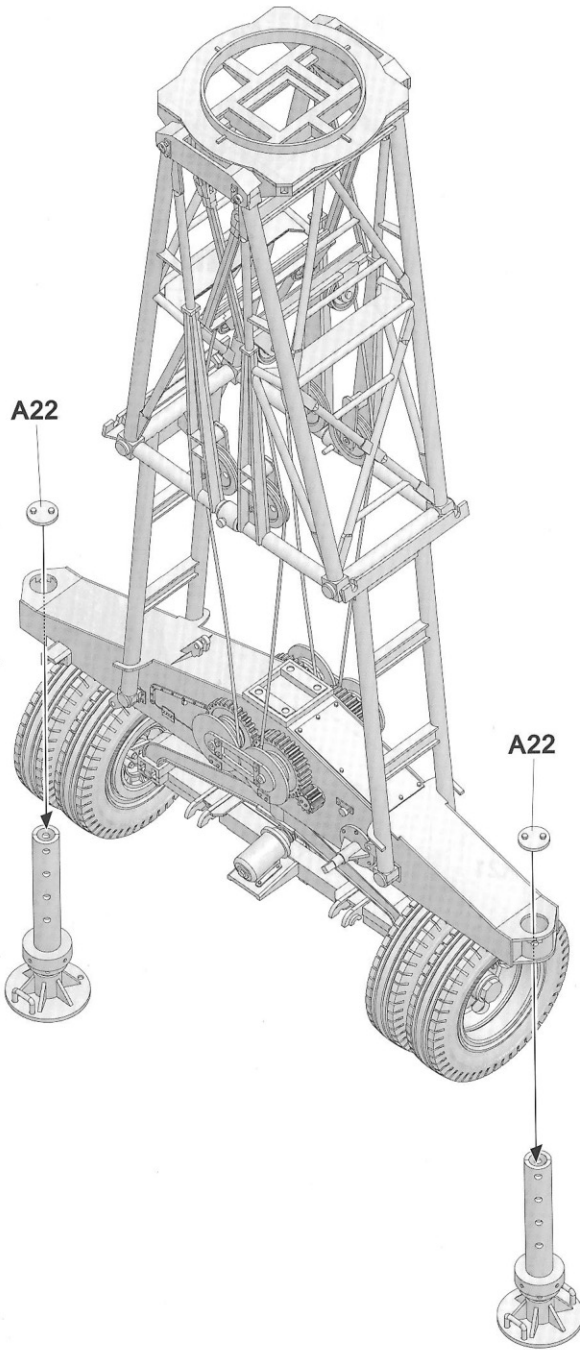
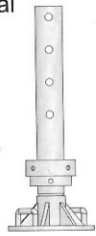
 Optional



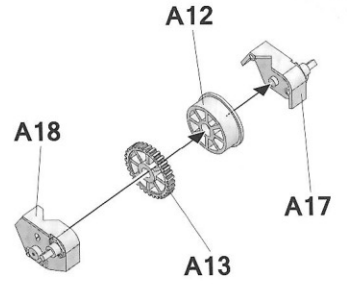
Make 4



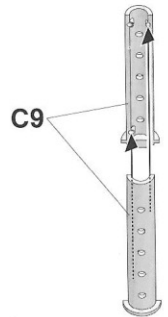
Optional



Optional



Make 4

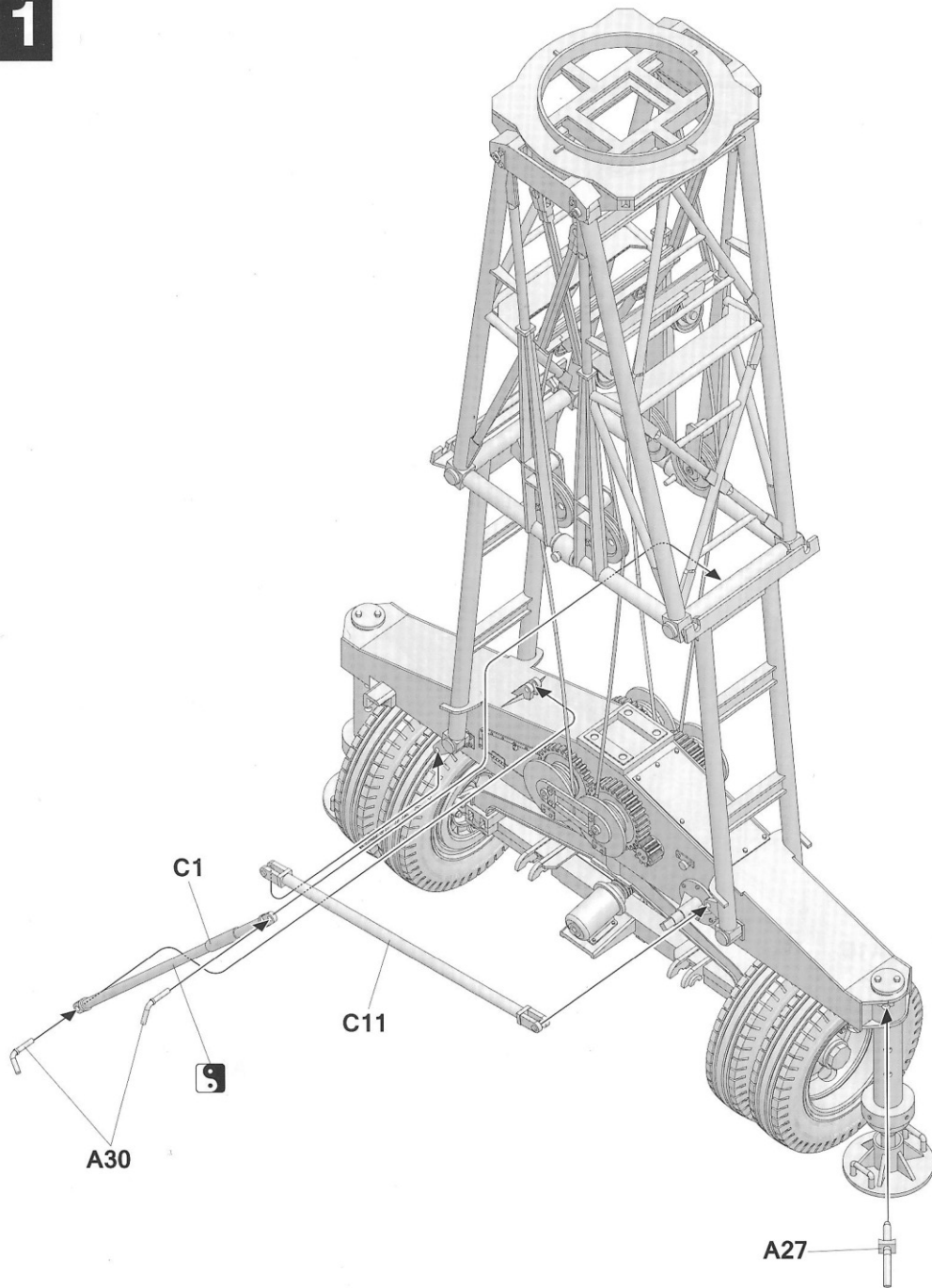


Make 4

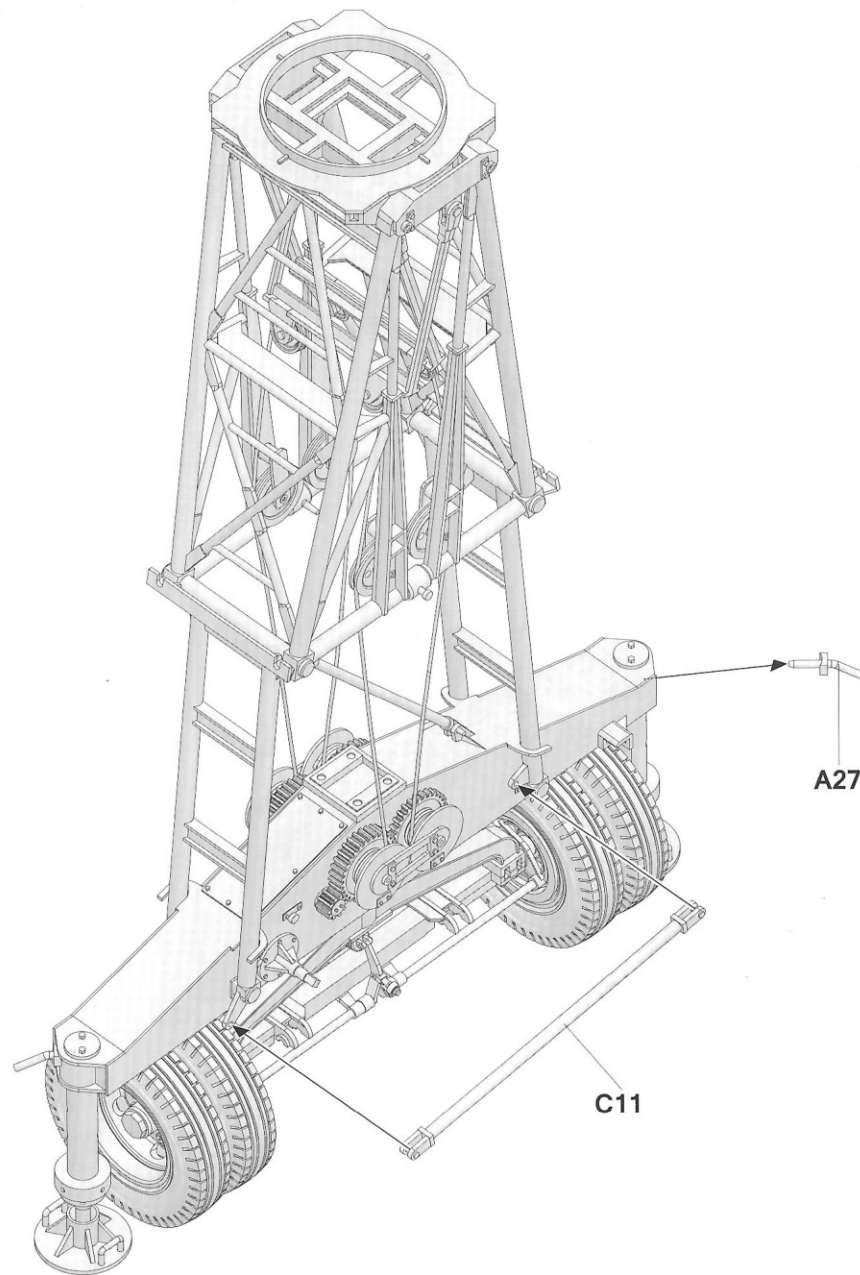


Make 4

11

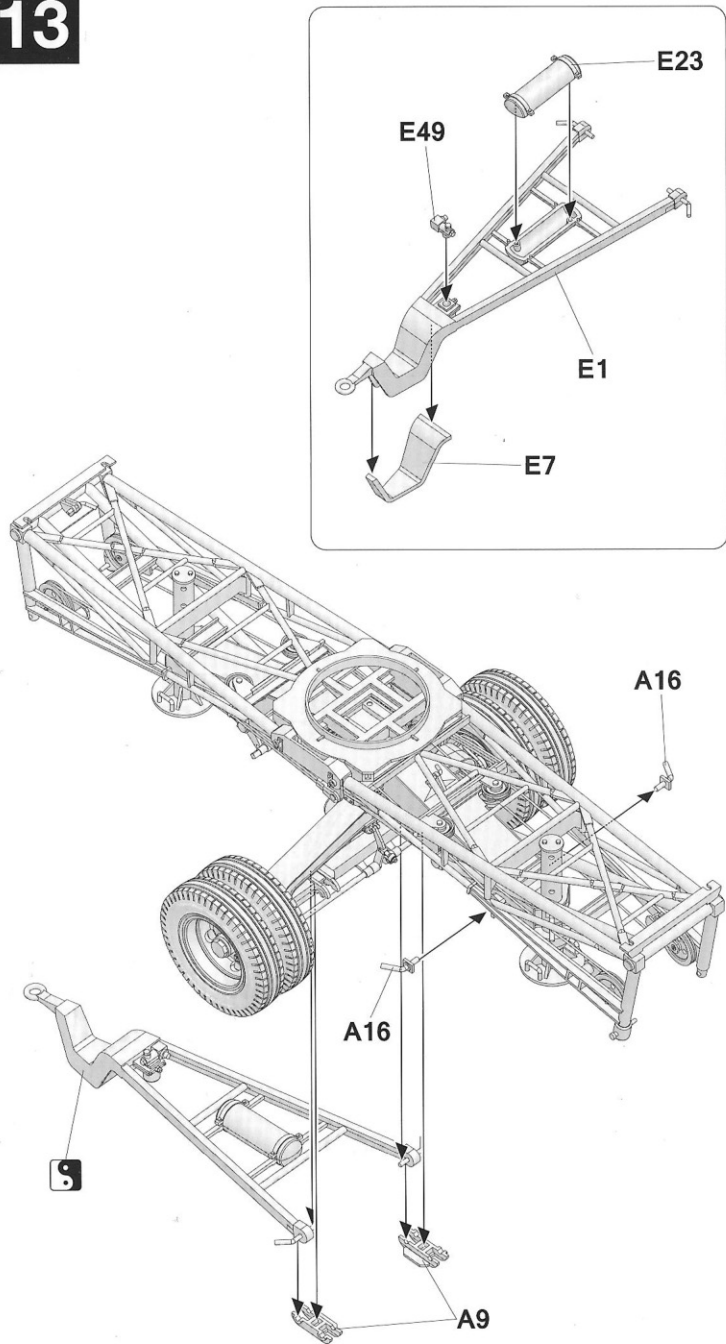


12

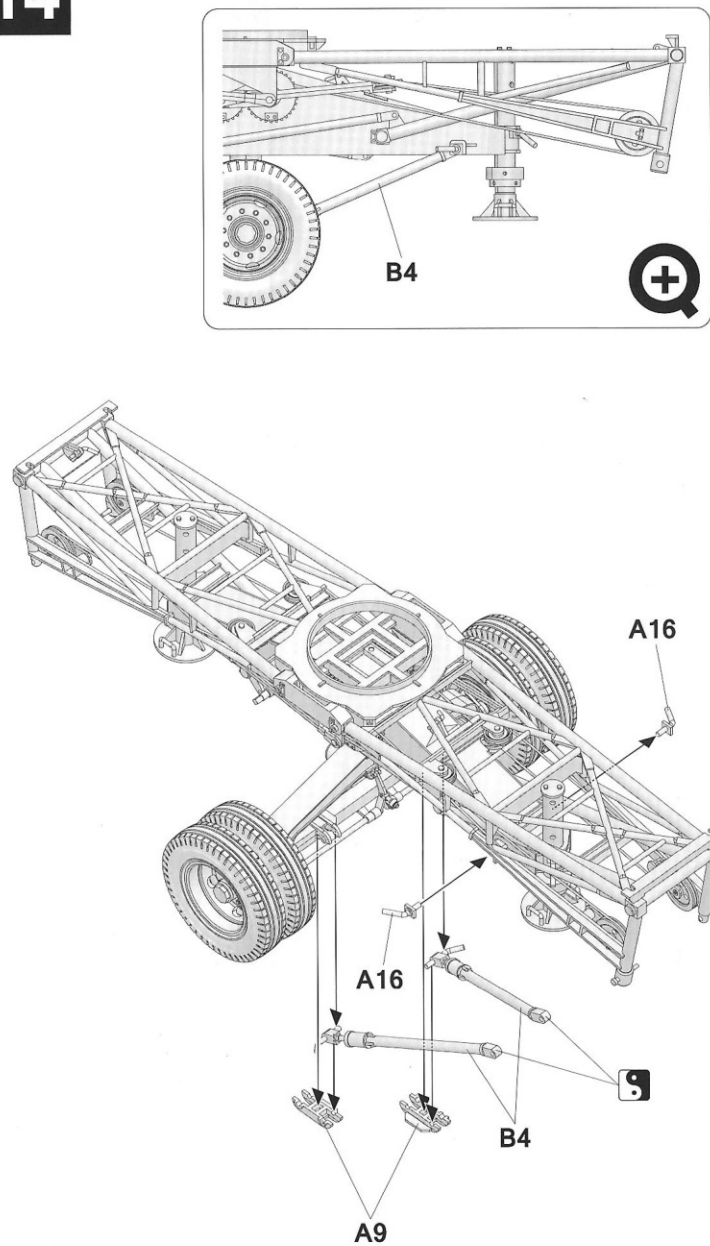


12

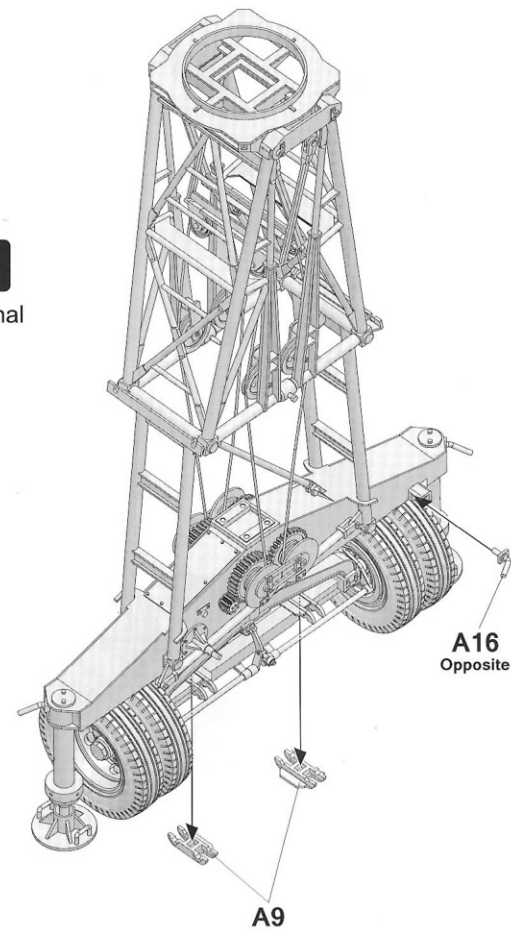
13



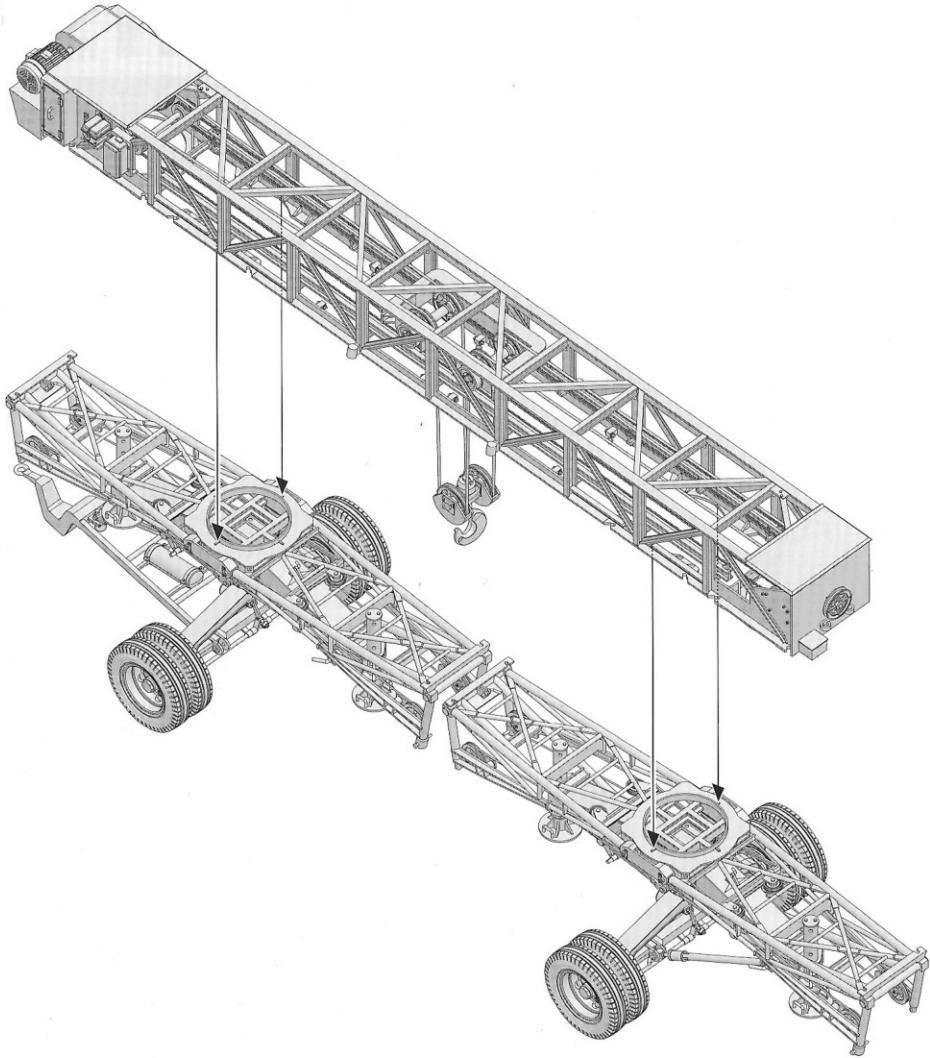
14



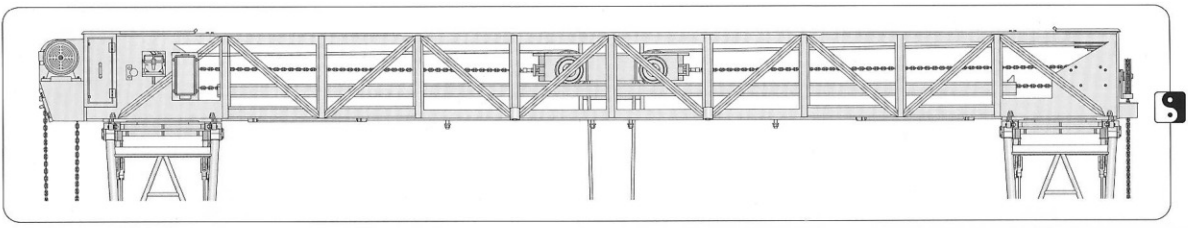
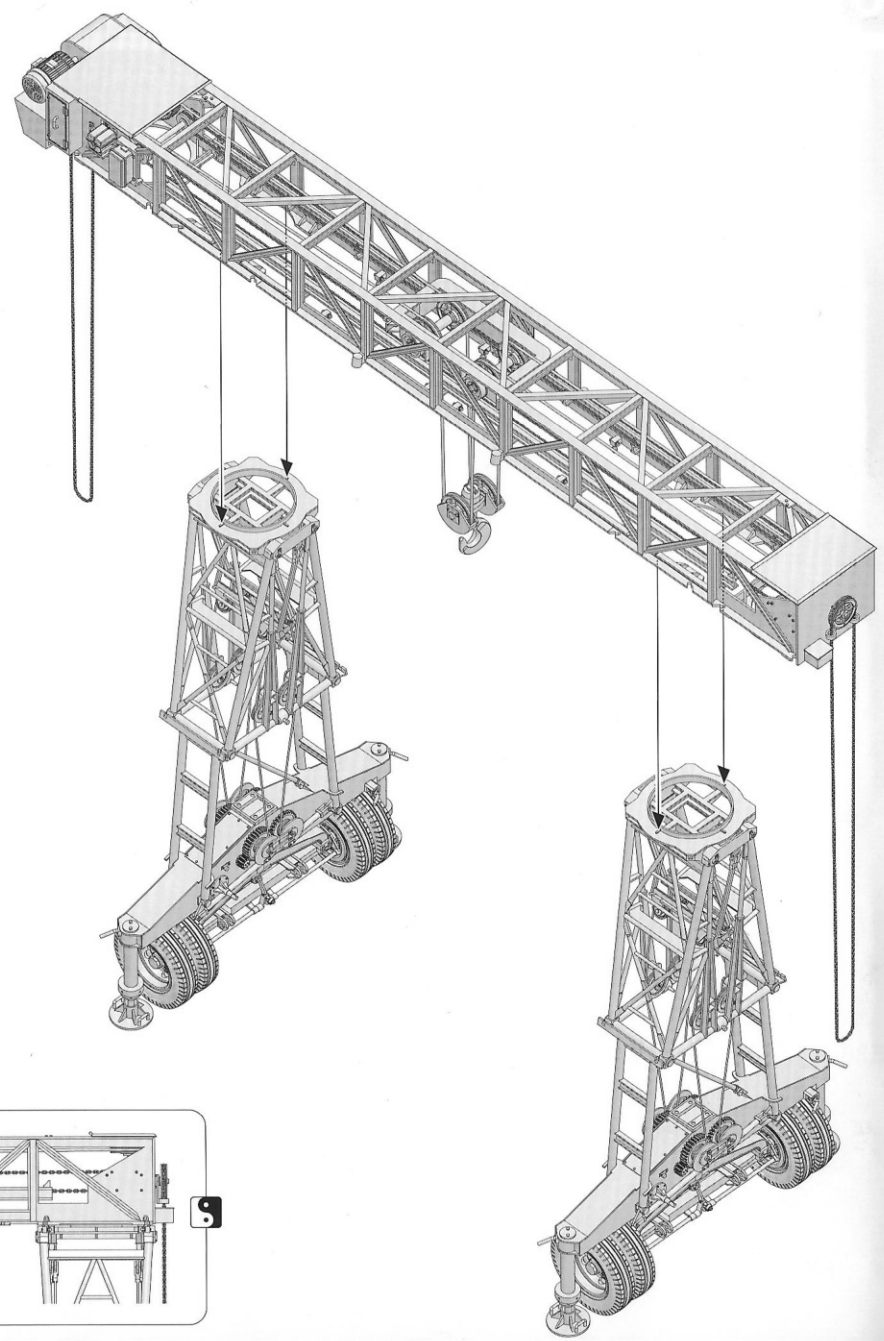
Optional

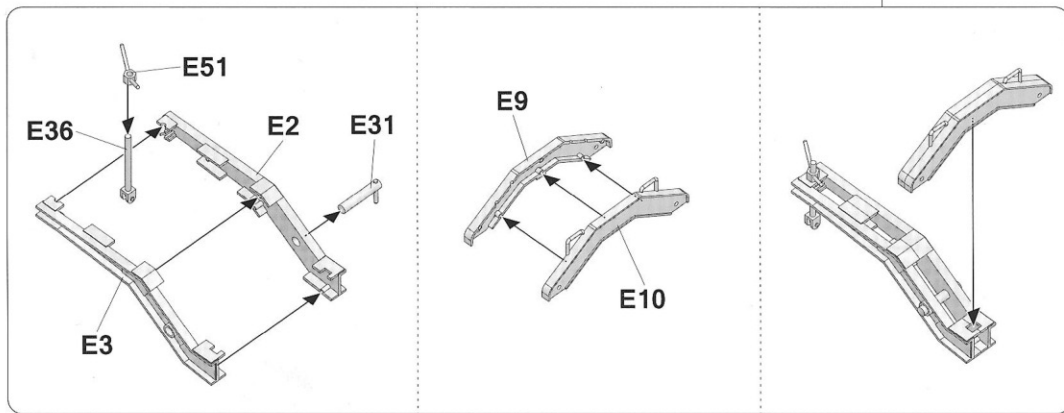
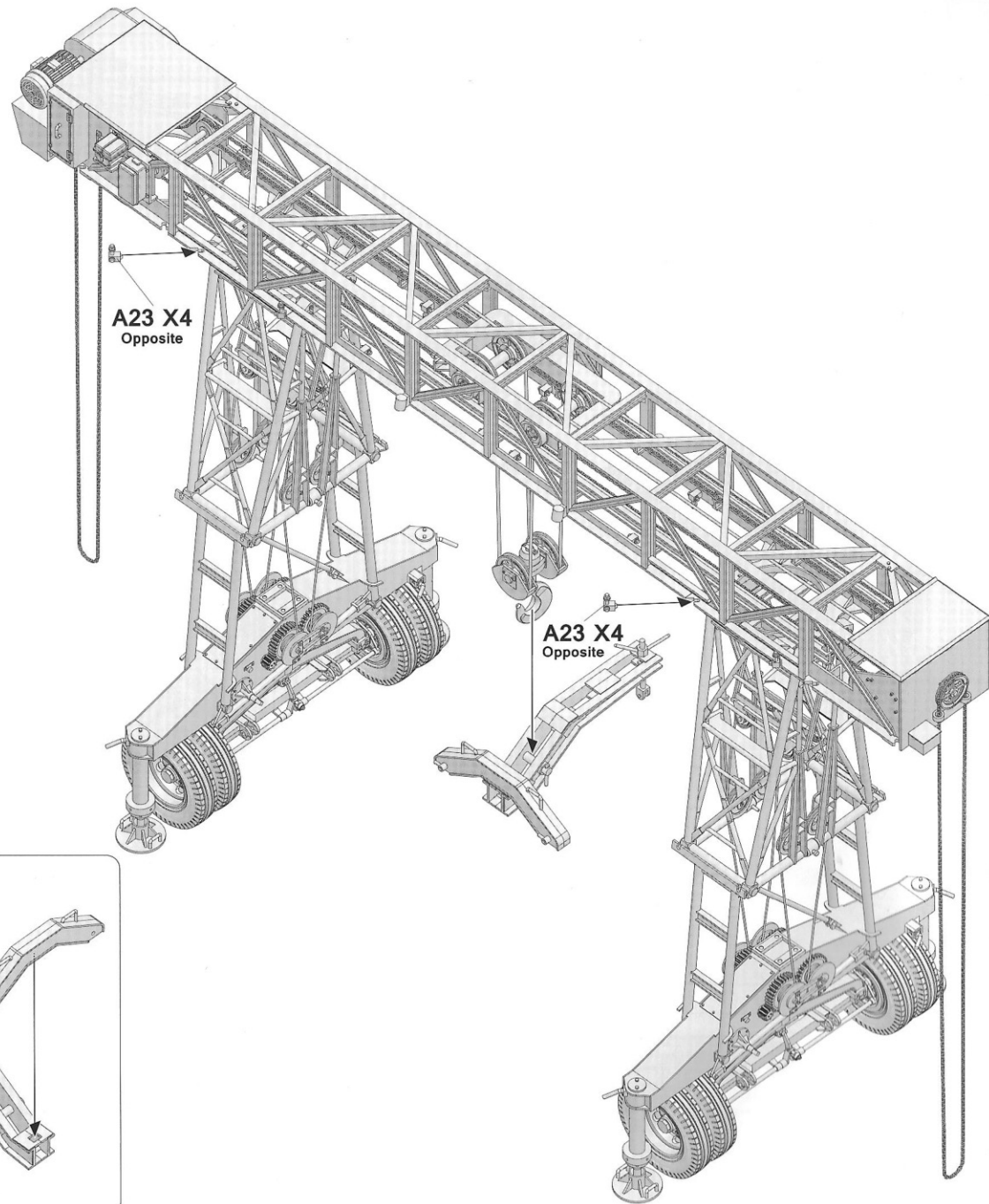
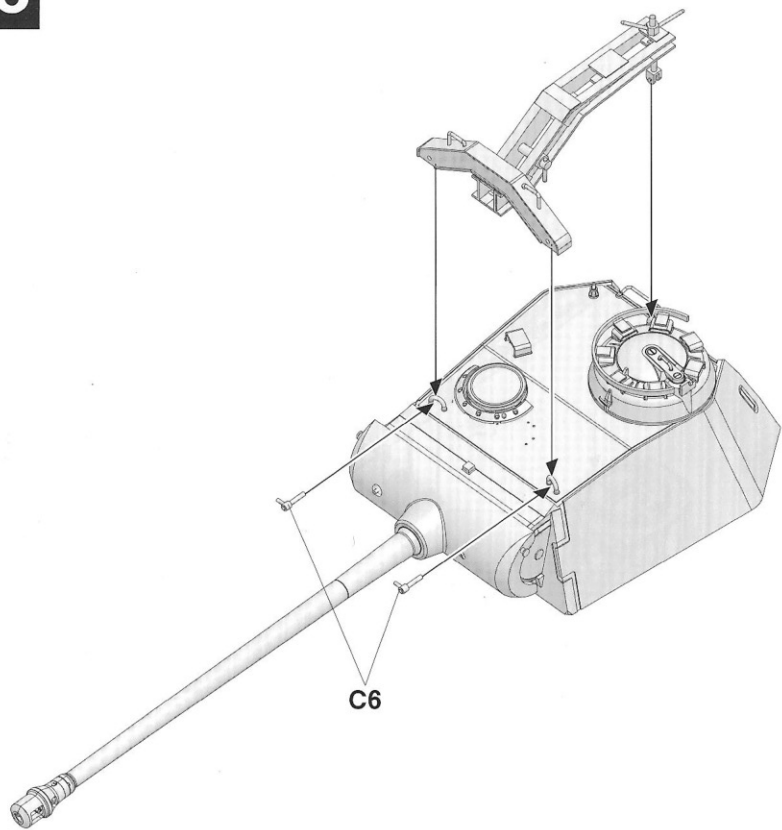


Make 2




Optional





Painting and Marking Guide

A.MIG 033 Rubber & Tires A.MIG 050 Matt White A.MIG 192 Polished Metal A.MIG 195 Silver

A.MIG 010 Dunkelgelb
Mid war

TAKOM Ref: 2109

1/35 'Fries Kran' 16T Strabokran 1943/44 production, due Late-September.



WEATHERING STEPS WITH AMMO PRODUCTS

- | | | | |
|--|--|--|--|
| 1 GENERAL WASH
A.MIG-1000 Brown Wash for German Yellow | 3 STREAKING
A.MIG-1203 Streaking Grime | 5 TIRE WASH
A.MIG-1403 Earth | 7 SPLASHES
A.MIG-1753 Turned Dirt |
| 2 FILTER
A.MIG-1511 Brown for Dark Yellow | 4 RUST
A.MIG-3510 Rust | 6 DUST
A.MIG-3015 Brick Dust | 8 GREASE & OIL
A.MIG-1408 Fresh Engine Oil |

Painting and Marking Guide

A.MIG 033 Rubber & Tires A.MIG 050 Matt White A.MIG 192 Polished Metal A.MIG 195 Silver

A.MIG 002 Olivgrün Opt. 2 A.MIG 011 Dunkelgelb
AUS 44 DG I

TAKOM Ref: 2109

1/35 'Fries Kran' 16T Strabokran 1943/44 production, due Late-September.



WEATHERING STEPS WITH AMMO PRODUCTS

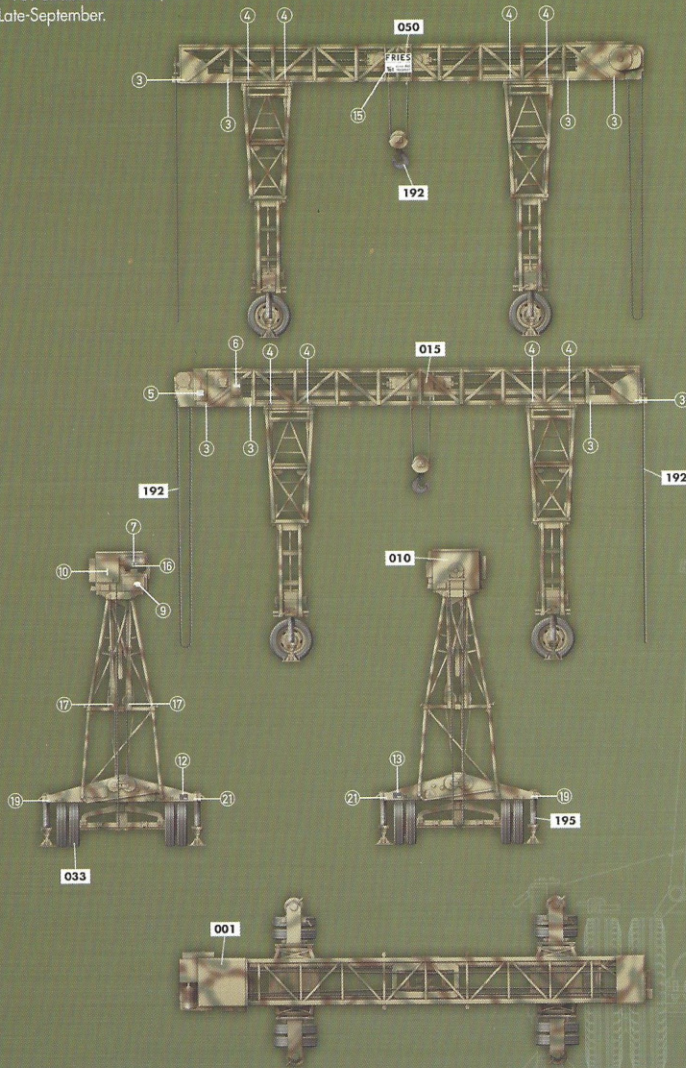
- | | | | |
|---|--|---|--|
| 1 GENERAL WASH
A.MIG-1001 Afrika Korps Wash | 3 STREAKING
A.MIG-1201 Streaking Grime For DAK | 5 TIRE WASH
A.MIG-1400 Kursk Soil | 7 SPLASHES
A.MIG-1753 Turned Dirt |
| 2 FILTER
A.MIG-1511 Brown for Dark Yellow | 4 RUST
A.MIG-1204 Streaking Rust Effects | 6 DUST
A.MIG-3013 Rubble | 8 GREASE & OIL
A.MIG-1408 Fresh Engine Oil |

Painting and Marking Guide

- A.MIG 033 Rubber & Tires
- A.MIG 050 Matt White
- A.MIG 192 Polished Metal
- A.MIG 195 Silver
- A.MIG 001 Olivgrün Opt.1
- A.MIG 010 Dunkelgelb Mid war
- A.MIG 015 Schokobraun

TAKOM Ref: 2109

1/35 'Fries Kran' 16T Strabokran 1943/44 production, due Late-September.



WEATHERING STEPS WITH AMMO PRODUCTS

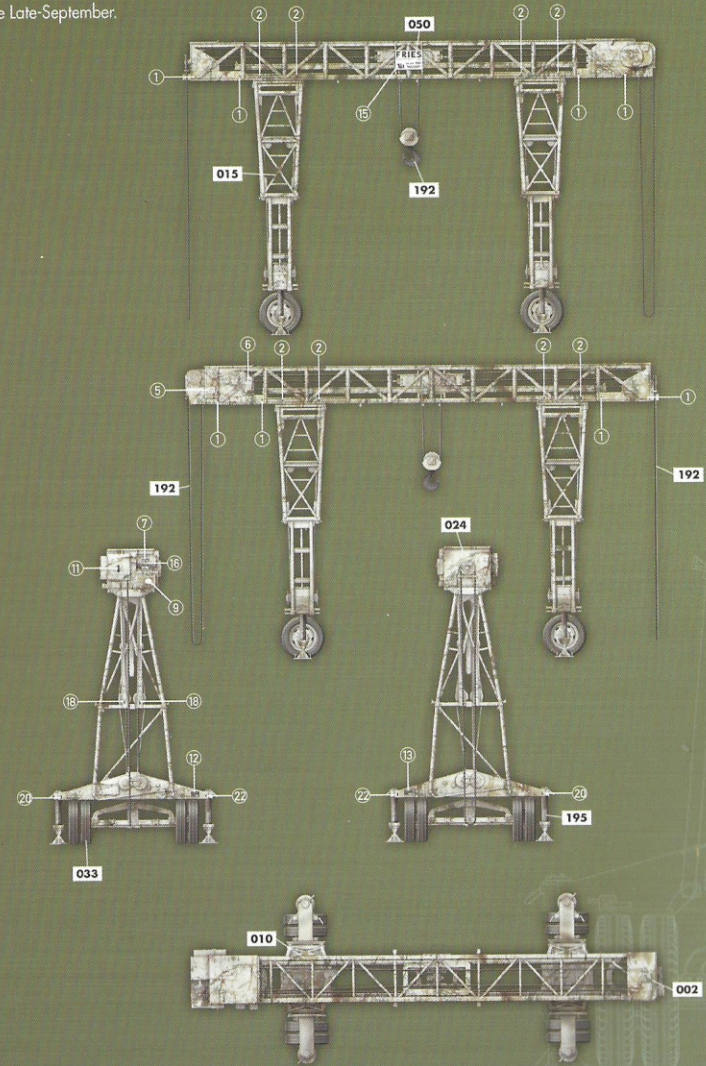
- | | | | |
|---|--|--|---|
| <p>1 GENERAL WASH
A.MIG-1008 Dark Wash</p> <p>2 FILTER
A.MIG-1510 Tan for Three Tone Camo</p> | <p>3 STREAKING
A.MIG-1206 Dark Streaking Grime</p> <p>4 RUST
A.MIG-3510 Rust</p> | <p>5 TIRE WASH
A.MIG-1400 Kursk Soil</p> <p>6 DUST
A.MIG-3004 Europe Earth</p> | <p>7 SPLASHES
A.MIG-1754 Damp Earth</p> <p>8 GREASE & OIL
A.MIG-1408 Fresh Engine Oil</p> |
|---|--|--|---|

Painting and Marking Guide

- A.MIG 033 Rubber & Tires
- A.MIG 050 Matt White
- A.MIG 192 Polished Metal
- A.MIG 195 Silver
- A.MIG 002 Olivgrün Opt.2
- A.MIG 010 Dunkelgelb Mid war
- A.MIG 015 Schokobraun
- A.MIG 024 Washable White Camo

TAKOM Ref: 2109

1/35 'Fries Kran' 16T Strabokran 1943/44 production, due Late-September.



WEATHERING STEPS WITH AMMO PRODUCTS

- | | | | |
|--|---|--|---|
| <p>1 GENERAL WASH
A.MIG-1010 Neutral Wash</p> <p>2 FILTER
A.MIG-1502 Dark Grey For White</p> | <p>3 STREAKING
A.MIG-1205 Streaking Grime for Winter Vehicles</p> <p>4 RUST
A.MIG-1204 Streaking Rust Effects</p> | <p>5 TIRE WASH
A.MIG-1406 Damp Earth</p> <p>6 DUST
A.MIG-3004 Europe Earth</p> | <p>7 SPLASHES
A.MIG-1755 Wet Ground</p> <p>8 GREASE & OIL
A.MIG-1408 Fresh Engine Oil</p> |
|--|---|--|---|