

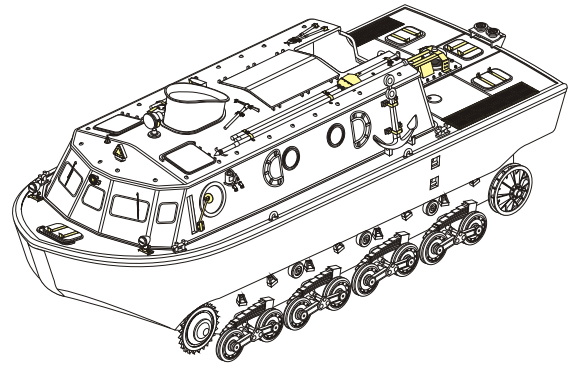
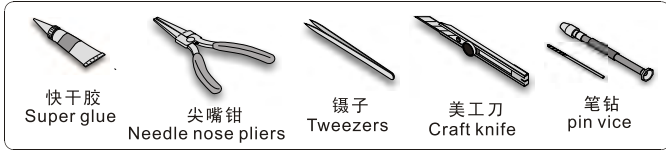
1/35 MILITARY MINIATURE VEHICLE UPGRADE SERIES PE35283

WWII German Land-Wasser-Schlepper Amphibious Tractor Mid Production

二战德军LWS水陆两栖运输车中期型

[For BRONCO 35015]

推荐使用工具 RECOMMENDED TOOLS



[Http://www.voyagermodel.com/productdetails.asp?itemid=PE35283](http://www.voyagermodel.com/productdetails.asp?itemid=PE35283)

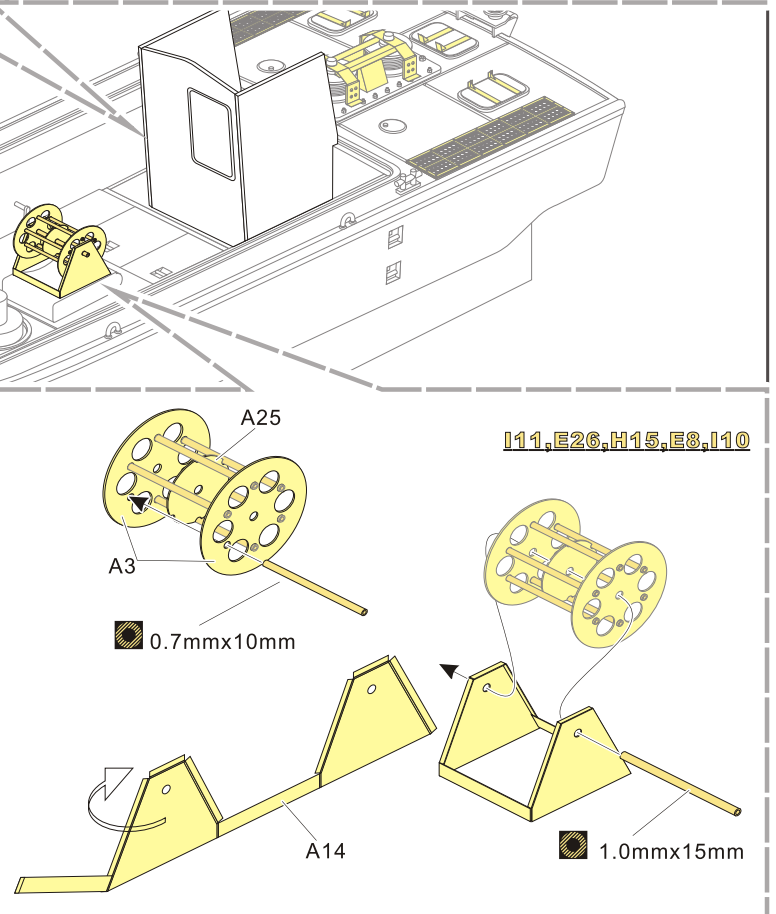
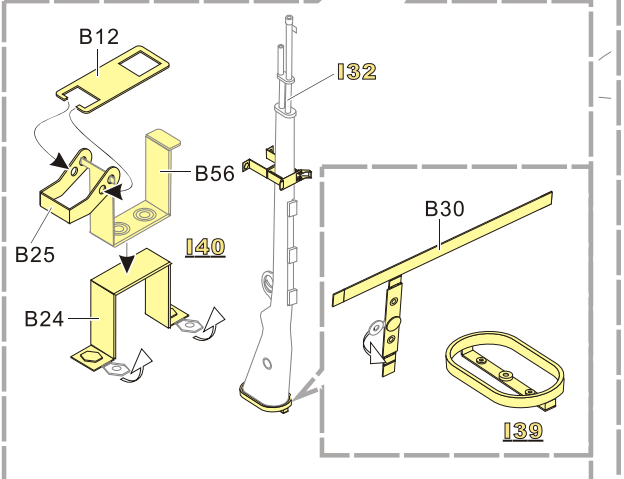
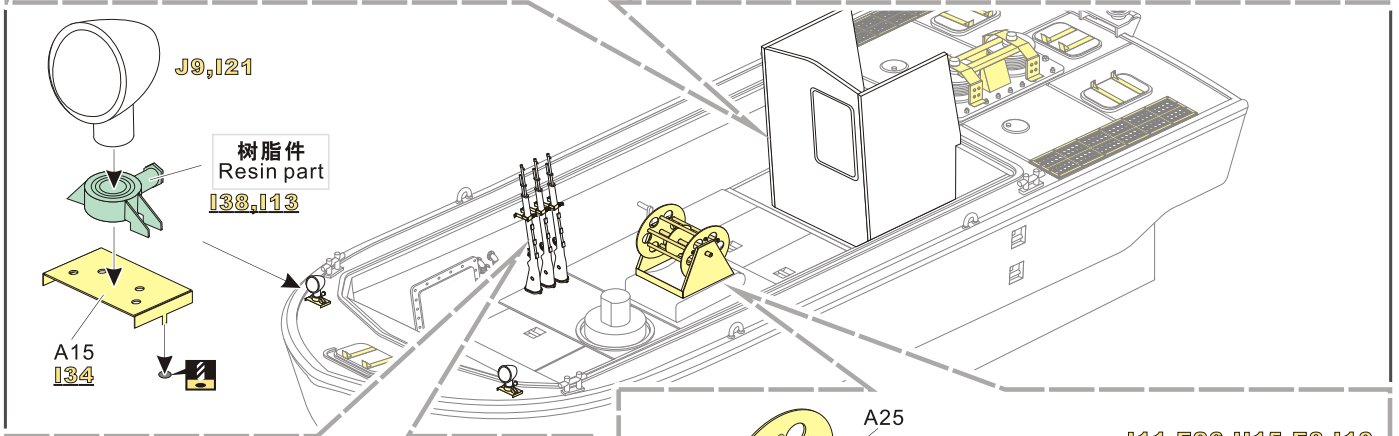
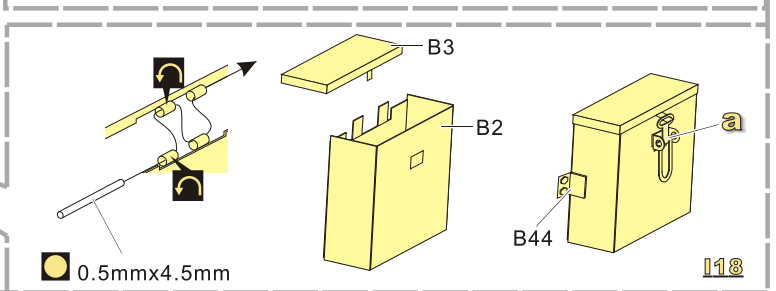
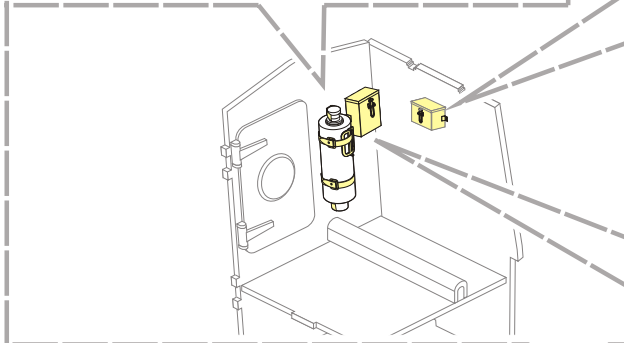
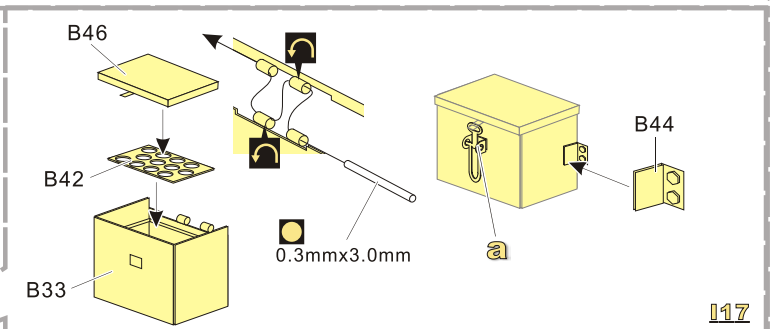
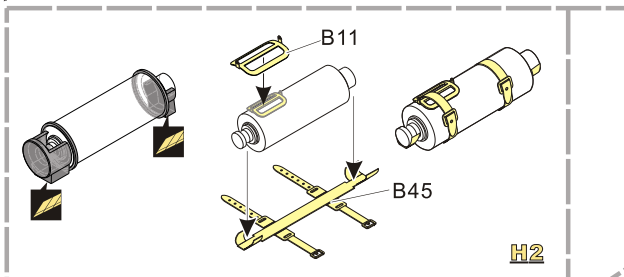
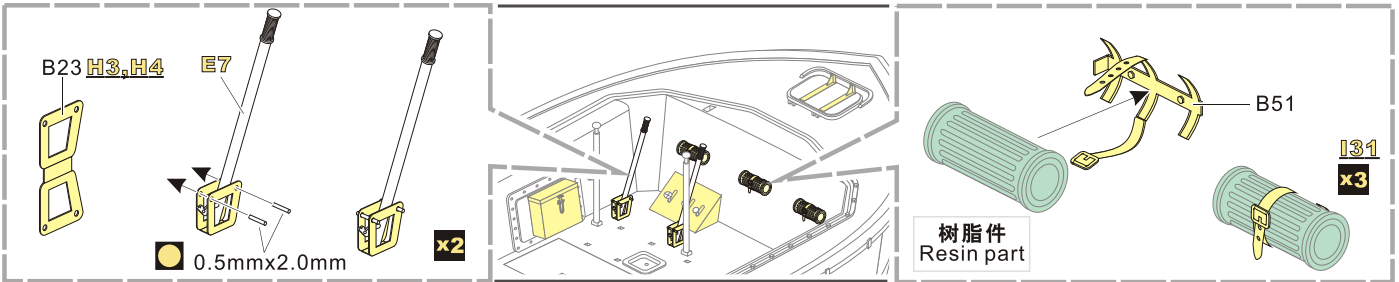
安装 install
折叠 bend
A1 改造件零件编号 PE/resin part number
B12 原零件编号 kit part number
切除 remove
x2 制作若干组 multiple assembly
C22 被替换的原零件编号 replaced kit part number
另一侧相同制作 repeat on opposite side
用胶棒制作 make from plastic rod
钻孔 drill
弧度卷曲 radial bending
选择安装 alternative

用尖端在凹槽处冲压
 use pinpoint to press on the dent
 圆珠笔 Ballpen
 独刻片零件内侧面向上
 PE part inboard side turn up
 用笔尖在凹槽处刮
 Use pinpoint scratch on the flute

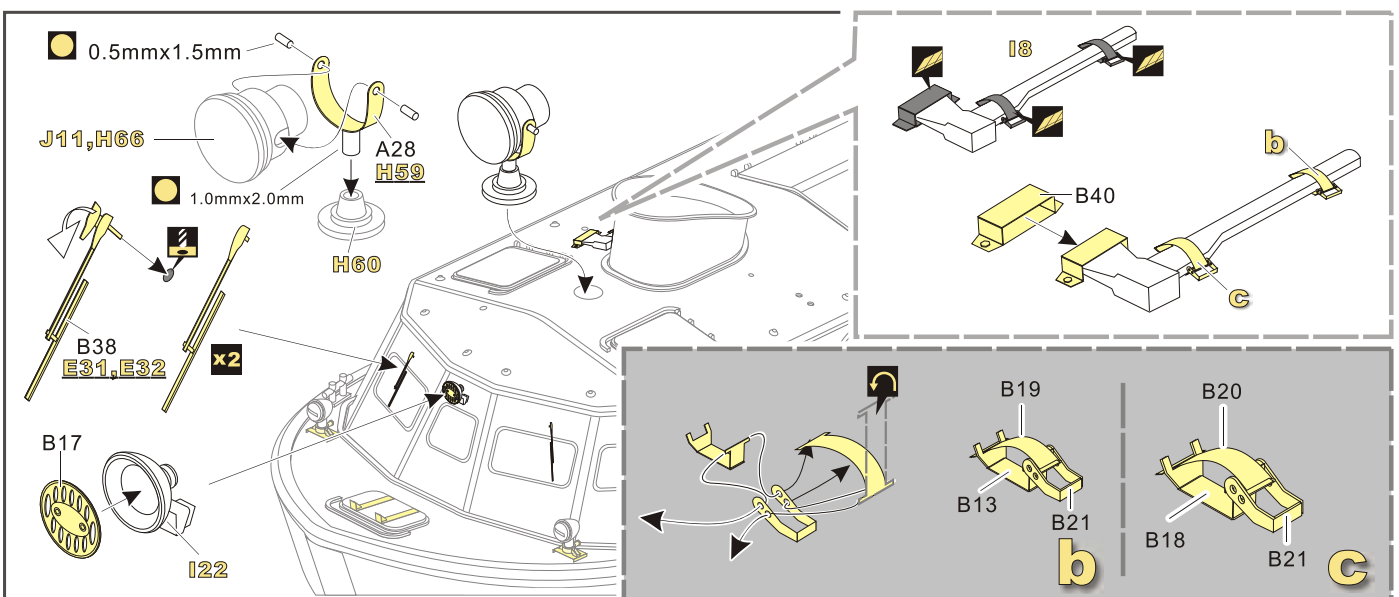
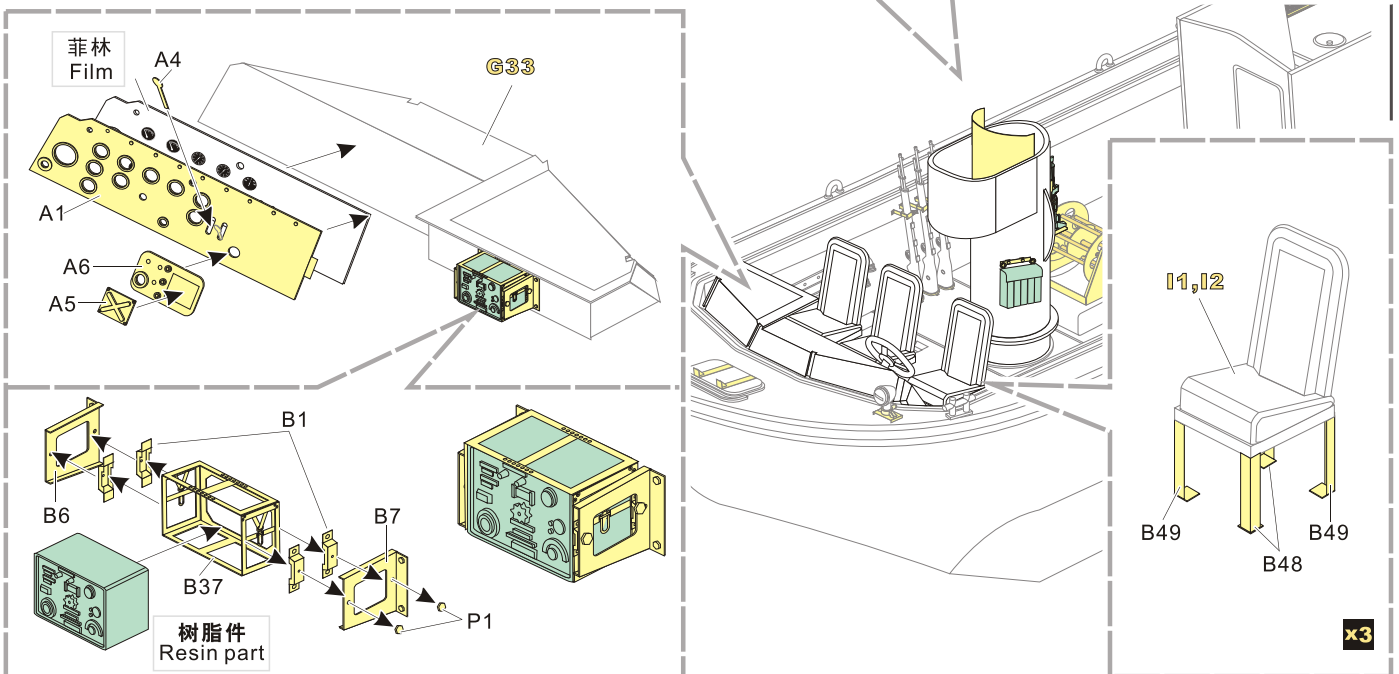
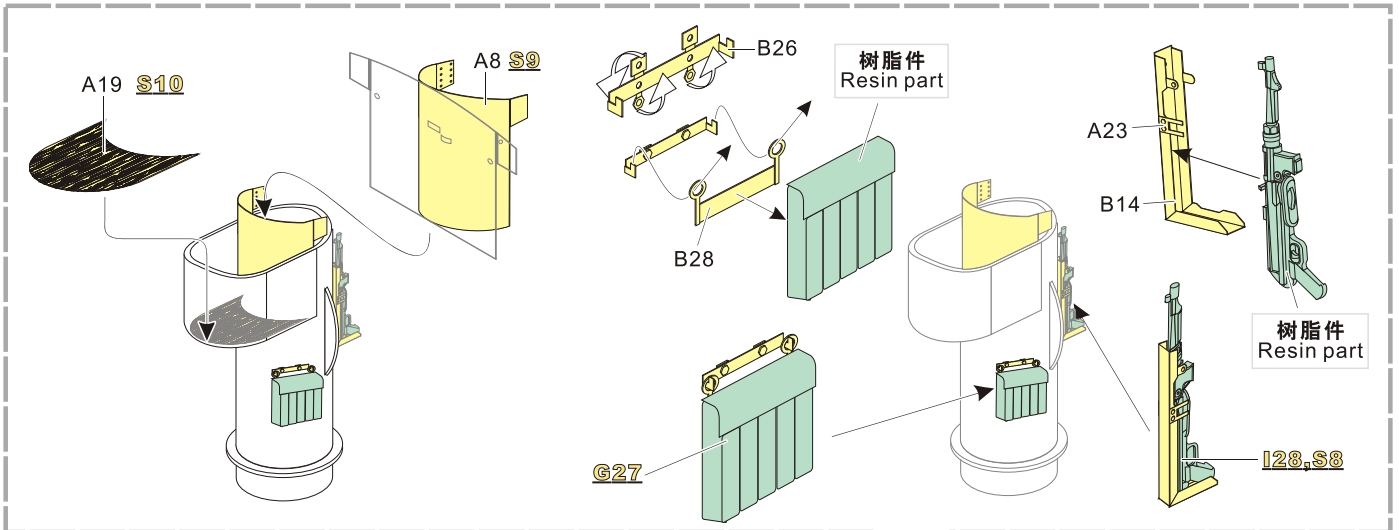
VOYAGER MODEL
 更多PE35283样品照片参考请扫一扫
 MORE PICTUER OF PE 35283
 REFERENCE SCAN HERE

0.5mmx3.0mm
D18, D17
B54
B22
B9
0.5mmx5.0mm
I20
Q2
Q1
a
B39
E10
I3
S1, E3
A32
B53
C1
A2
S2
A34
A33
I4, I5, E19
x4
A20
D4
A12
自制
 Scratch build
A27
E18
A26
A31
A22
E36

1/35 MILITARY MINIATURE VEHICLE UPGRADE SERIES PE35283



1/35 MILITARY MINIATURE VEHICLE UPGRADE SERIES PE35283



1/35 MILITARY MINIATURE VEHICLE UPGRADE SERIES PE35283

