

Mirage IIIO

ROYAL AUSTRALIAN AIR FORCE ARDU



Mirage IIIO ROYAL AUSTRALIAN AIR FORCE ARDU

The Dassault Mirage III is a family of single/dual-seat, single-engine, fighter aircraft developed and manufactured by French aircraft company Dassault Aviation, It was the first Western European combat aircraft to exceed Mach 2 in horizontal flight, a feat which was achieved on 24 October 1958.

The Australian government decided that the Royal Australian Air Force (RAAF) would receive a variant based on the Mirage IIIE and powered by the SNECMA Atar engine, built under license by Government Aircraft Factories (GAF) at Fishermans Bend, Melbourne, known as the Mirage IIIO or GAF Mirage, the Australian variant differed from the Mirage IIIE mainly in its avionics. The other major Australian aircraft manufacturer at the time, the Commonwealth Aircraft Corporation (CAC), also based in Melbourne, was also involved in the project, producing the Atar engine under license.

Between 1967 and 1979, all the surviving Mirage IIIO(F) aircraft were converted to the Mirage IIIO(A) standard, which reconfigured them from the interceptor role to perform ground attack and aerial reconnaissance missions instead. In 1988, the Mirage III was finally withdrawn from RAAF service; 50 of the surviving fighters were exported to Pakistan in 1990. Several examples are preserved in museums around Australia; at least one of these is reportedly under restoration to a taxable condition.

This box presents markings for the Royal Australian Air Force's Aircraft Research and Development Unit (ARDU), a unit that conducts and analyses the results of around and fight testing of existing and future Air Force aircraft, ARDU consists of three test and evaluation flights (TEFs) located at RAAF Bases Edinburgh, Amberley and Williamstown, staffed by qualified test pilots, flight test engineers and flight test system specialists. The ARDU operates with aircraft from different operational squadrons of the RAAF.

CAUTION

- *Read carefully and fully understand the instructions before commencing assembly.
- *Keep out of reach of children. Children must not be allowed to put any parts in their mouths, or pull plastic bag over their heads.
- *When using adhesives and paints, please make sure not to use them in closed room or near the fire.
- *When assembling this kit, tools including knives are used. Extra care should be taken to avoid injury.

WARNING: CONTAIN SMALL PARTS NOT FOR CHILDREN UNDER 14 YEARS OF AGE.



TOOLS RECOMMENDED

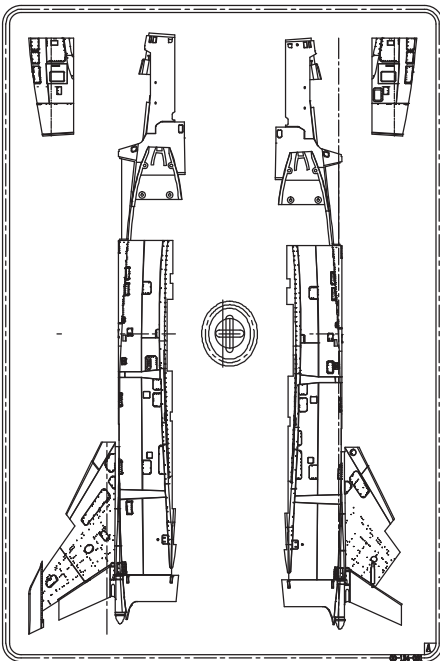


AFTERMARKET SERVICES CARD

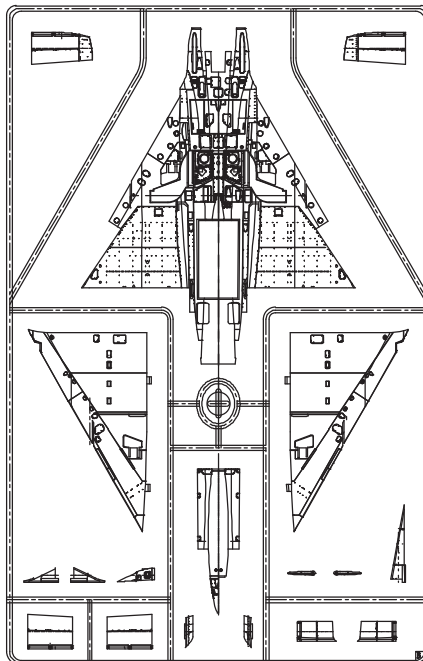
When requesting replacement parts, please take or send this form to your local dealer so that the parts required can be correctly identified. Please note that specifications and availability are subject to change without notice. Or visit <http://www.kineticmodel.com> for latest information. For more information, please contact services@kineticmodel.com

Part Code	K48145	Qty	Item
00-127-011	1/48 French Weapon Series Supersonic Tank + AIM-9B	1	Z
00-127-012	1/48 French Weapon for MIRAGE V	1	Y
00-134-001	1/48 MIRAGE III E/V FUESLAGE	1	A
00-134-002	1/48 MIRAGE III E/V WINGS	1	B
00-134-003	MIRAGE III E UNDERCARRIG	1	C
00-134-004	1/48 MIRAGE III E INTAKE, SEAT, WHEEL	1	D
00-134-005	1/48 MIRAGE III E COCKPIT, FRONT BOTTOM PARTS	1	E
00-134-008	1/48 MIRAGE III E/O NOSE	1	H
00-134-010	1/48 MIRAGE III E PARTS (J)	1	J
00-134-011	1/48 MIRAGE III R PARTS	1	K
01-134-48145	1/48 MIRAGE III O RAAF	1	DECAL
03-134-48145	1/48 MIRAGE III O RAAF	1	MANUAL

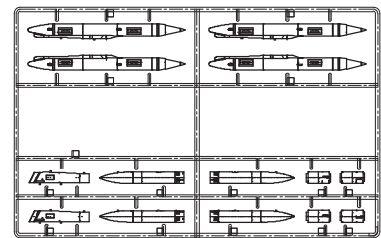
A



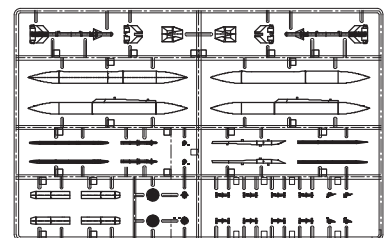
B



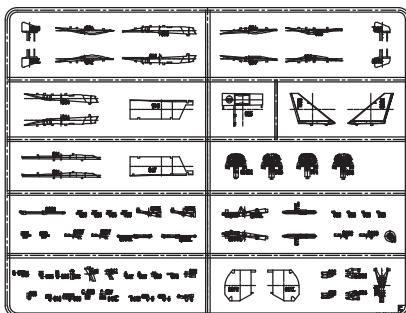
Y



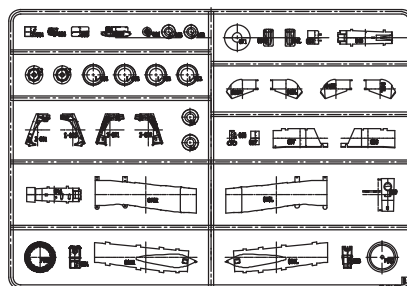
Z



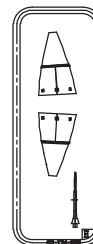
C



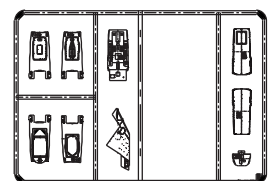
D



H



E

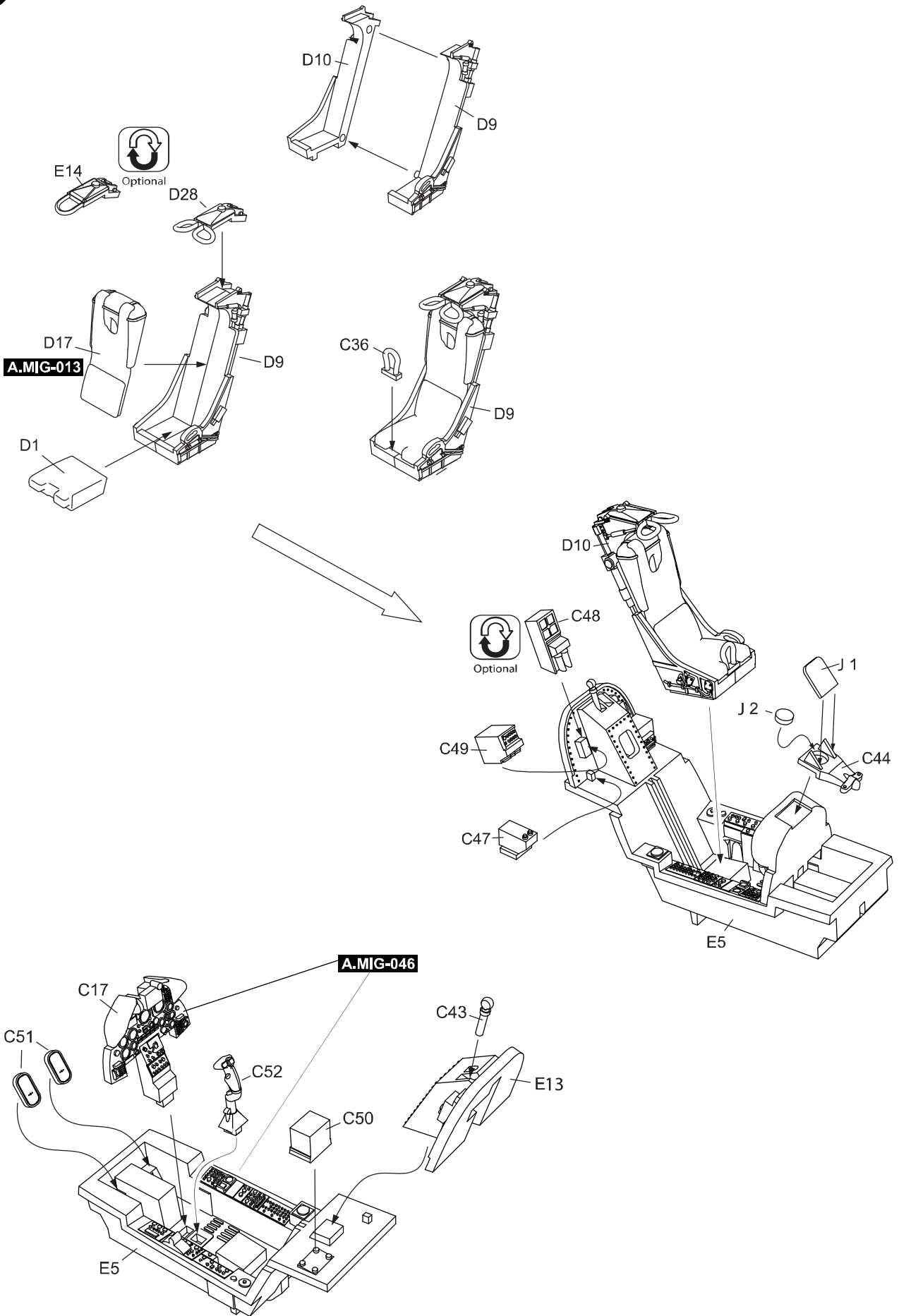




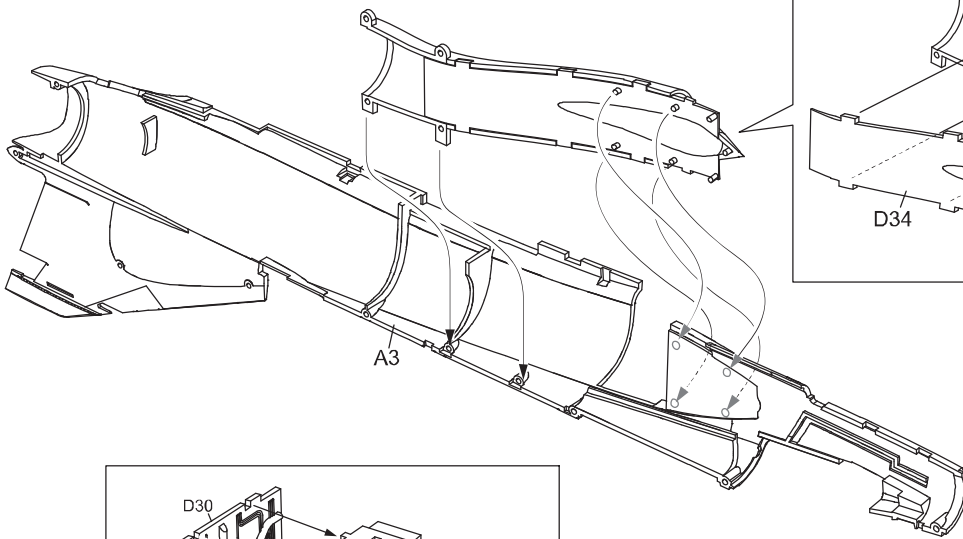
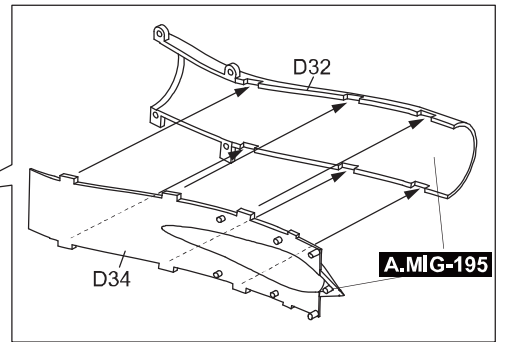
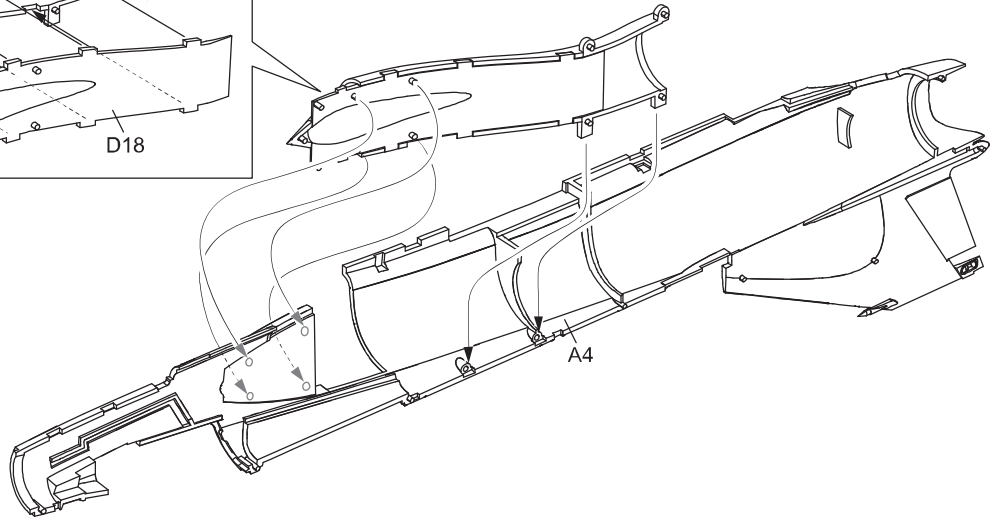
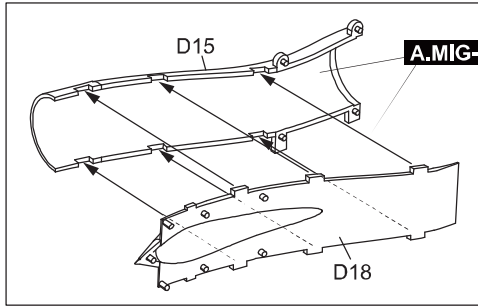
COLOR	AMMO MIG	VALLEJO MODEL COLOR	GSI CREOS MR. COLOR	TAMIYA ENAMEL/ACRYLIC	HUMBROL ENAMEL
GELBBRAUN	A.MIG-013	70.879	55	XF-49	26
RUBBER & TIRES	A.MIG-033	71.315	137	XF-85	33
MATT BLACK	A.MIG-046	71.951	33	XF-18	33
YELLOW	A.MIG-048	71.002	329	XF-3	69
MATT WHITE	A.MIG-050	71.950	62	XF-2	34
JET EXHAUST BURNT IRON	A.MIG-187	71.073	61	XF-84	53
SILVER	A.MIG-195	70.997	8	X-11	11
RLM 81 - FS 34079 - BS641	A.MIG-206	71.294	309	XF-13	116
FS 36622 GRAY	A.MIG-226	70.883	311	-	28
FS36152 DARK GREY AMT-12	A.MIG-235	71.308	32	XF-75	-
MEDIUM GREEN	A.MIG-238	70.895	302	XF-26	105
ALUMINIUM	A.MIG-8201	-	-	-	-

**For Color Profile, please go to www.kineticmodel.com for download
 (type the kit# and go for manual/painting guide)**

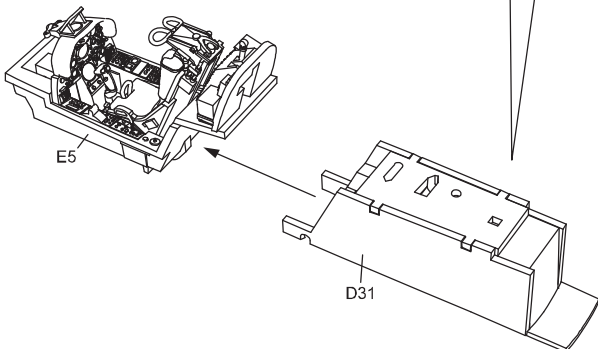
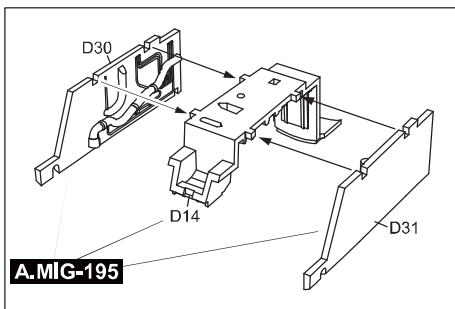
1



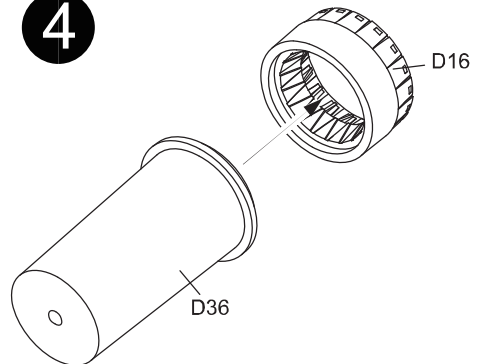
2



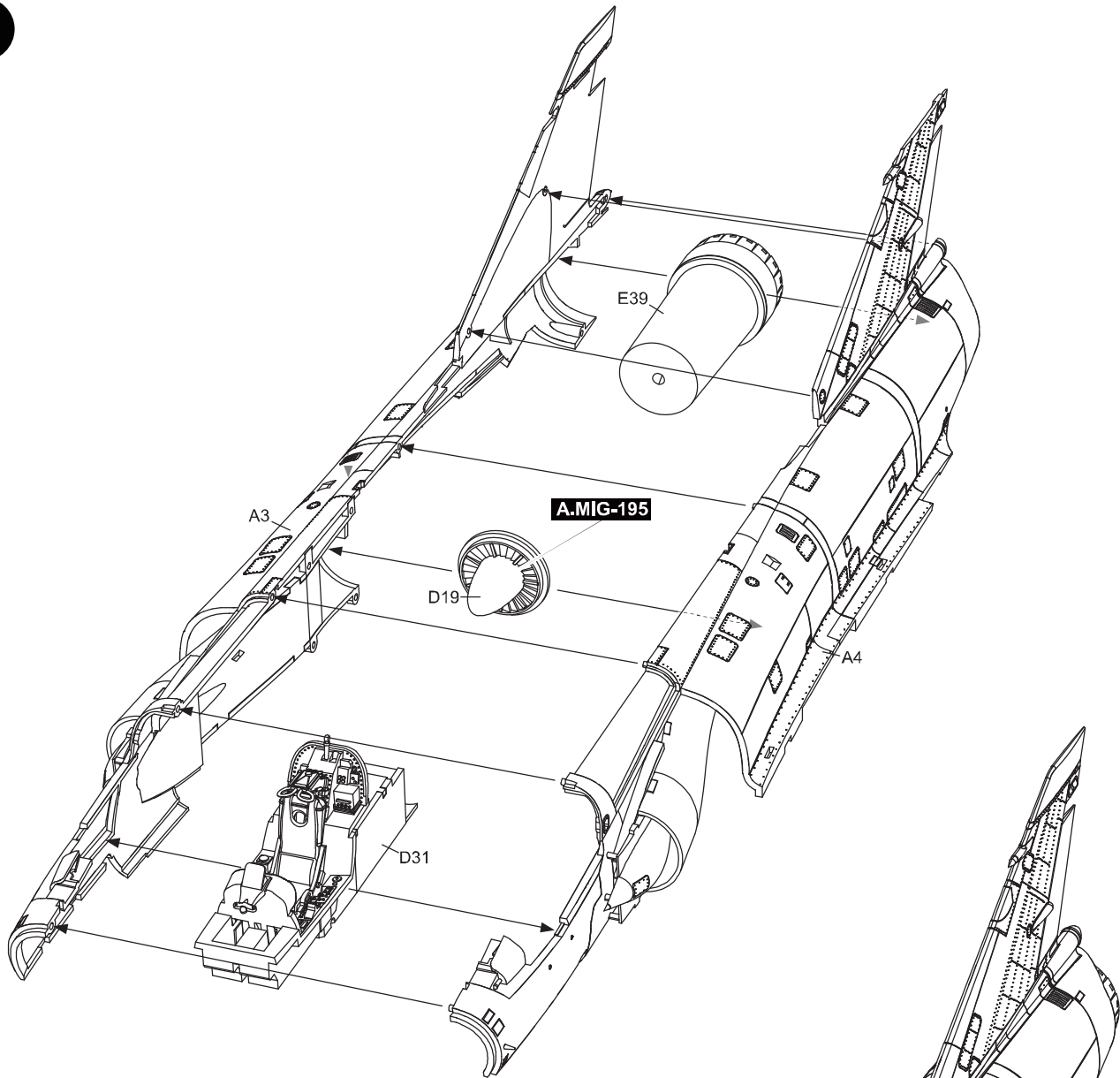
3



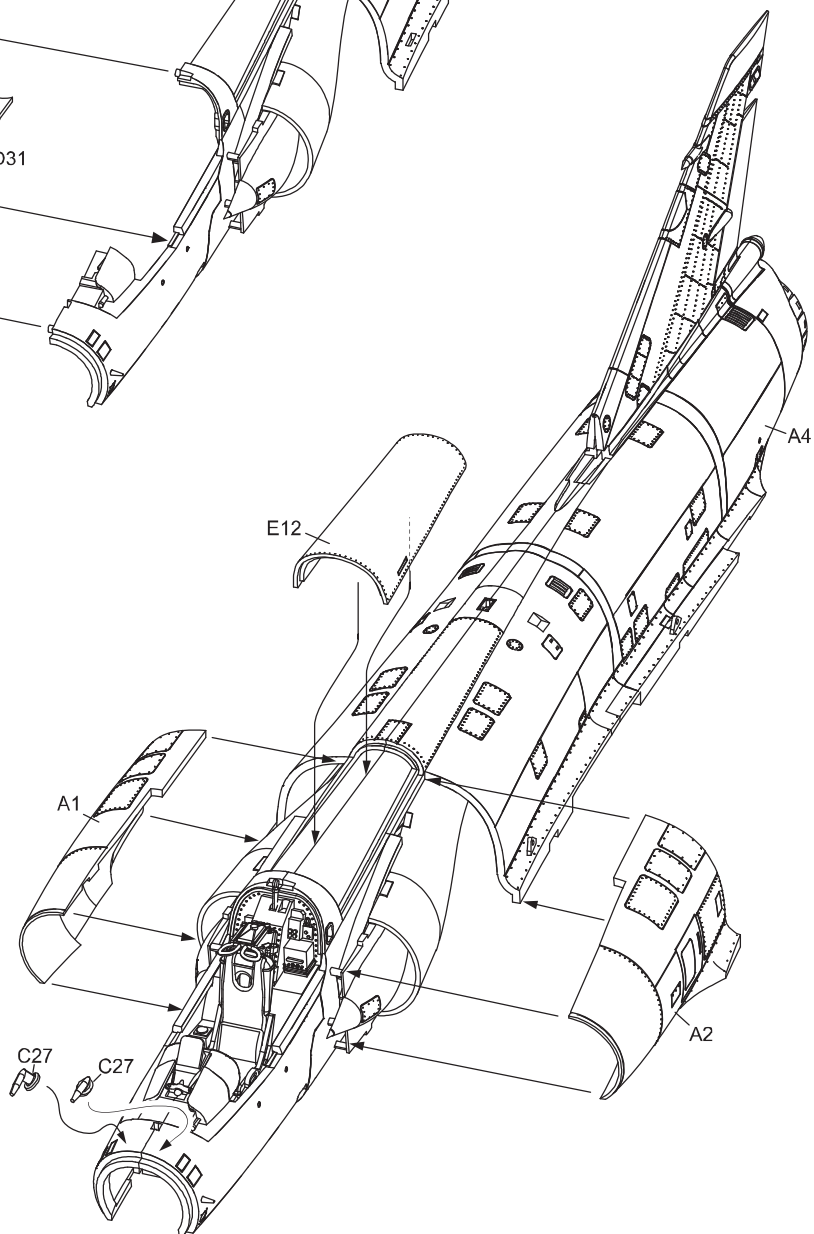
4



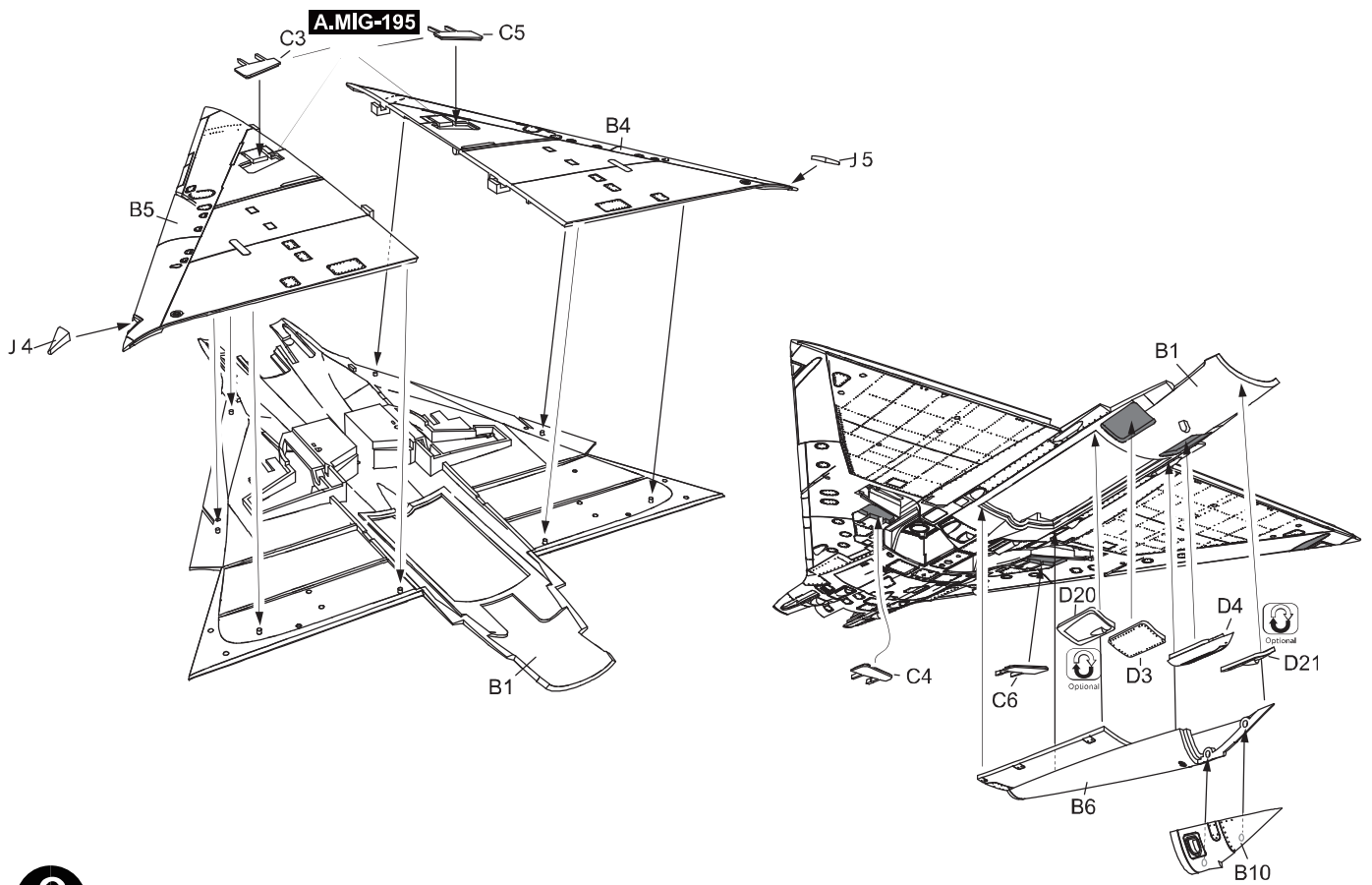
5



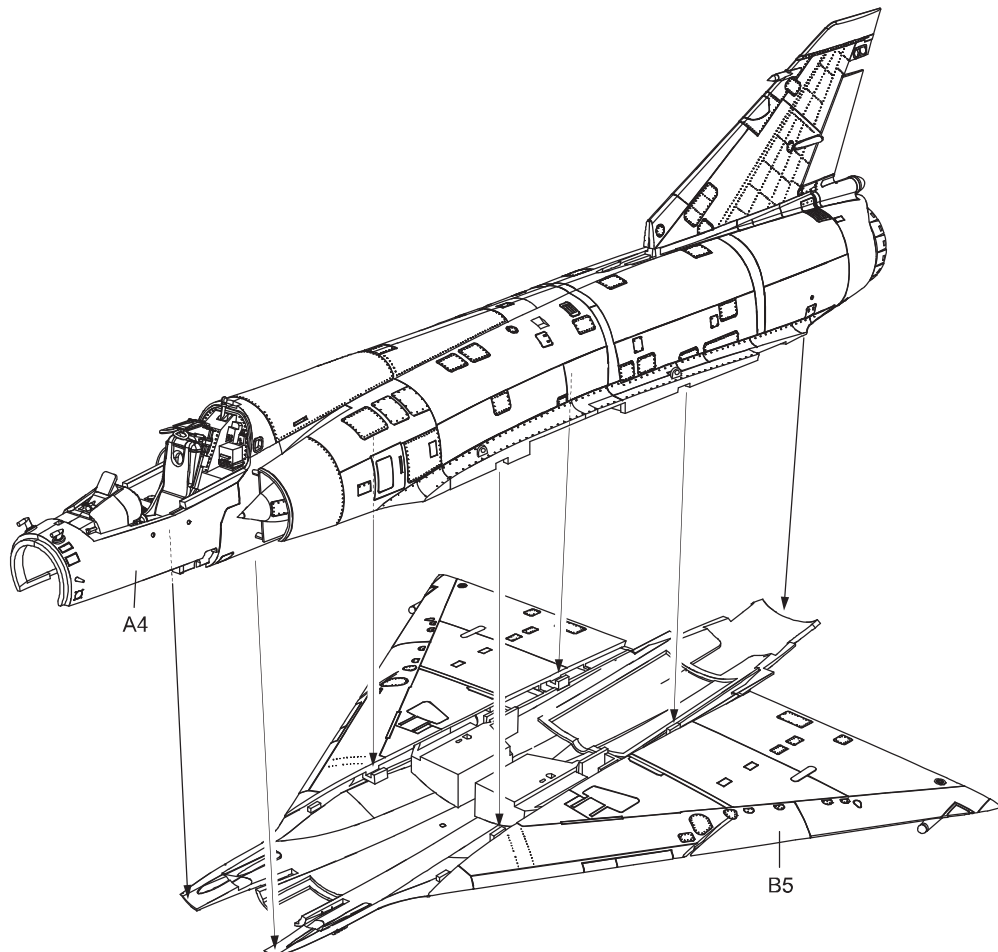
6



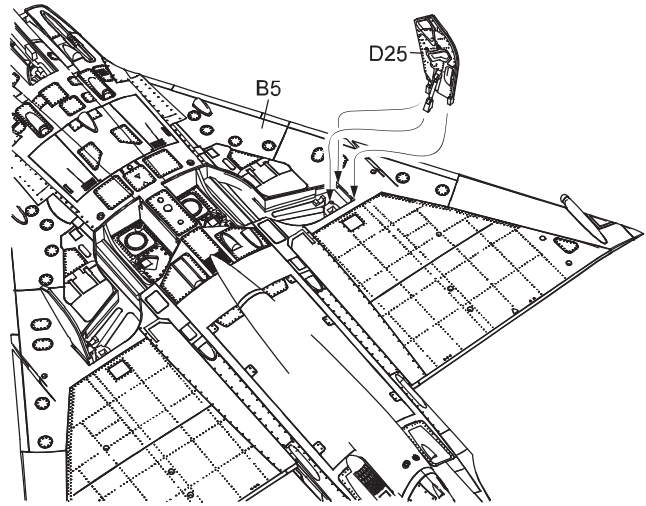
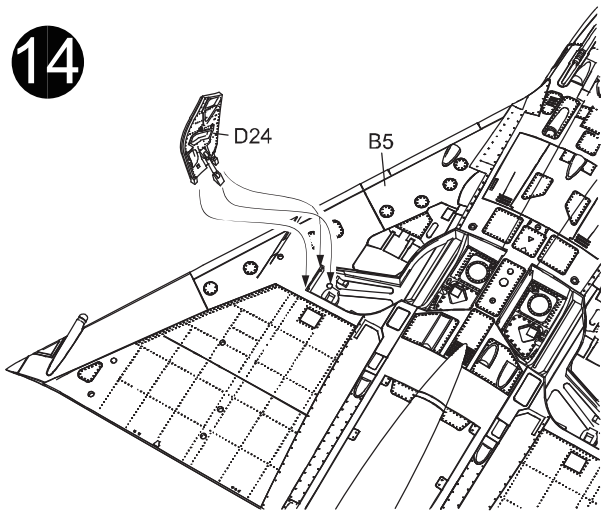
7



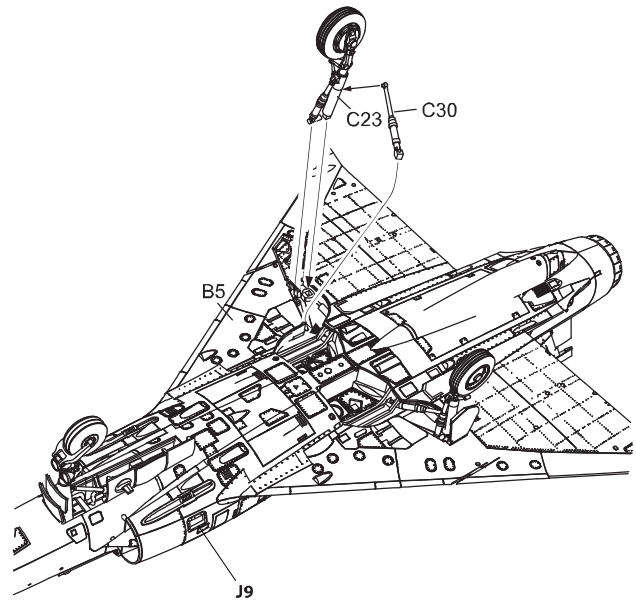
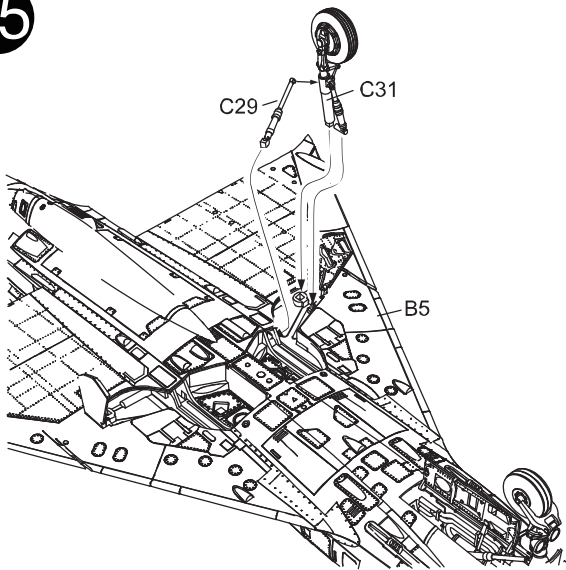
8



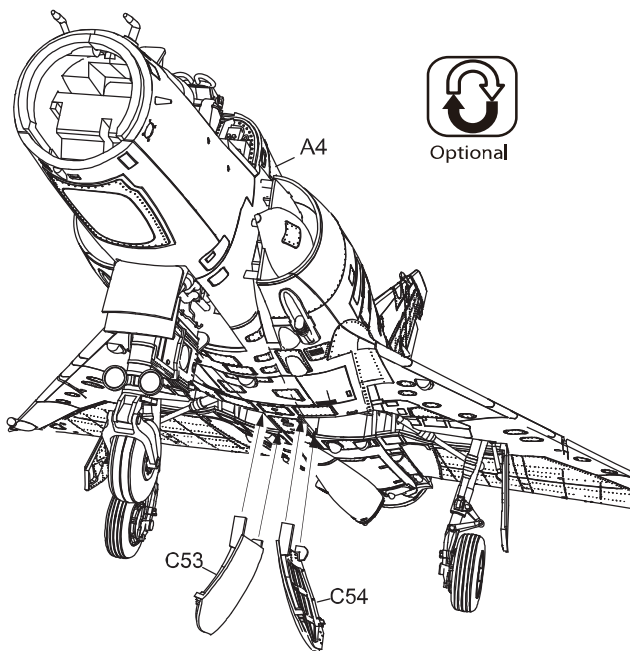
14



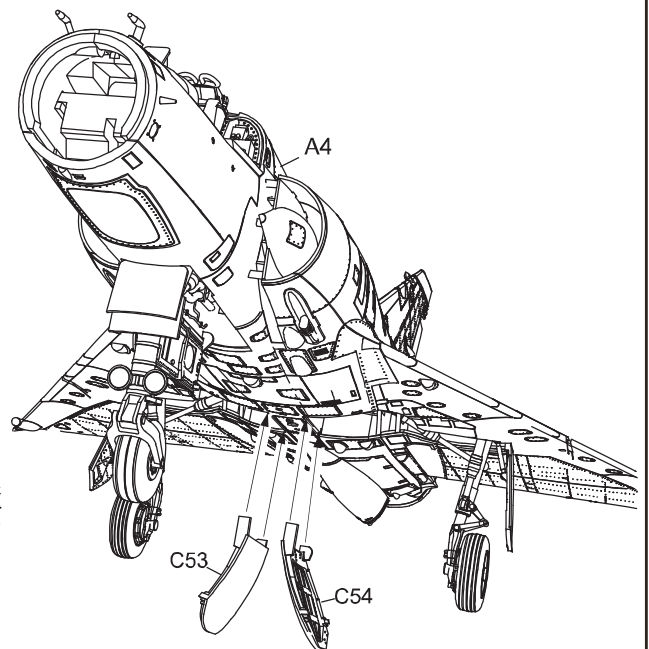
15



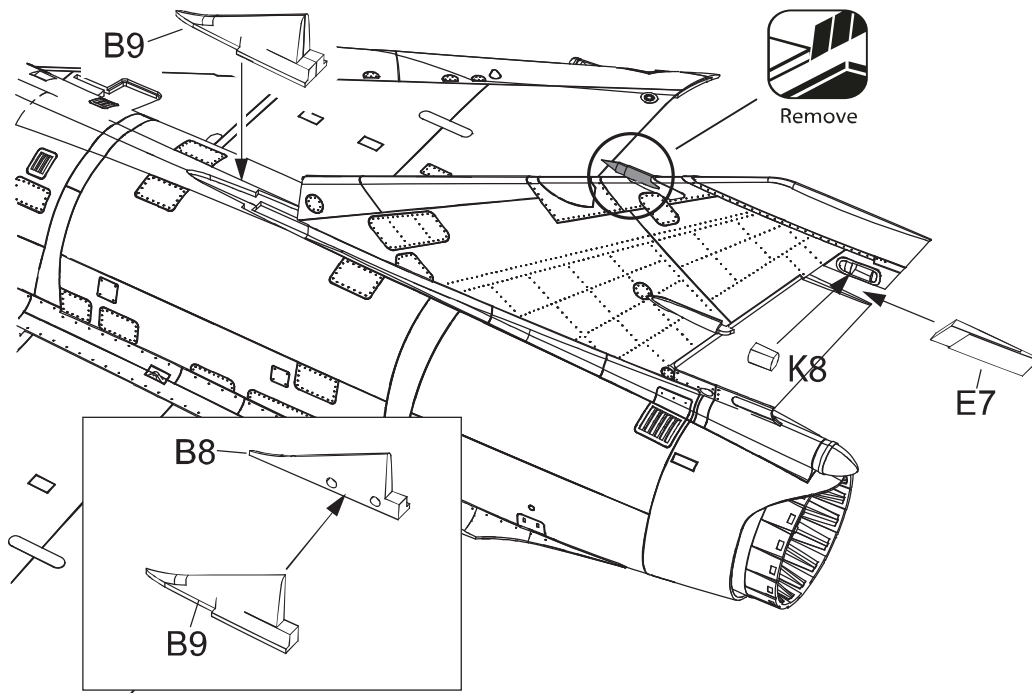
16



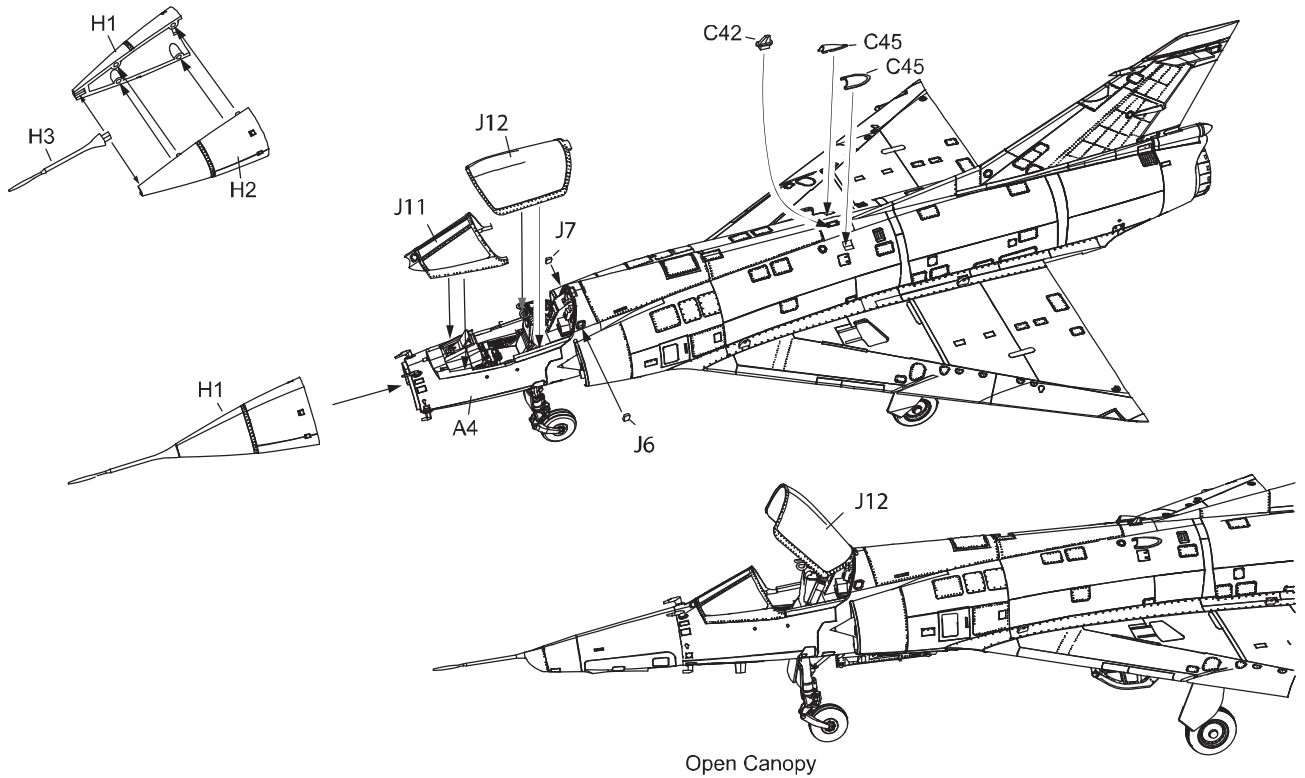
Optional



17

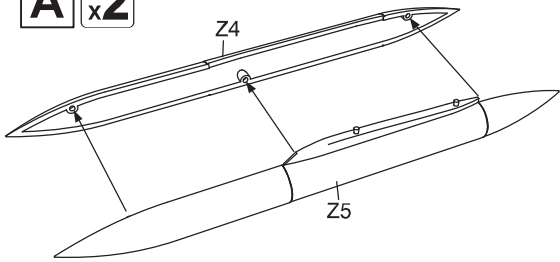


18

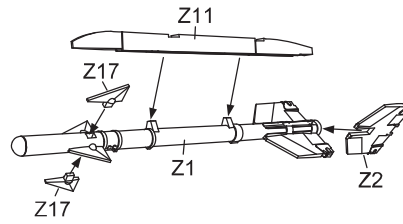


19

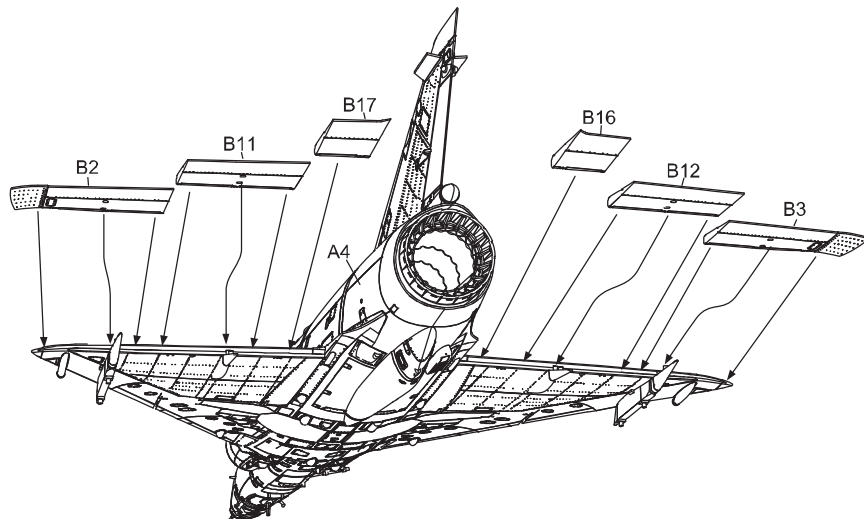
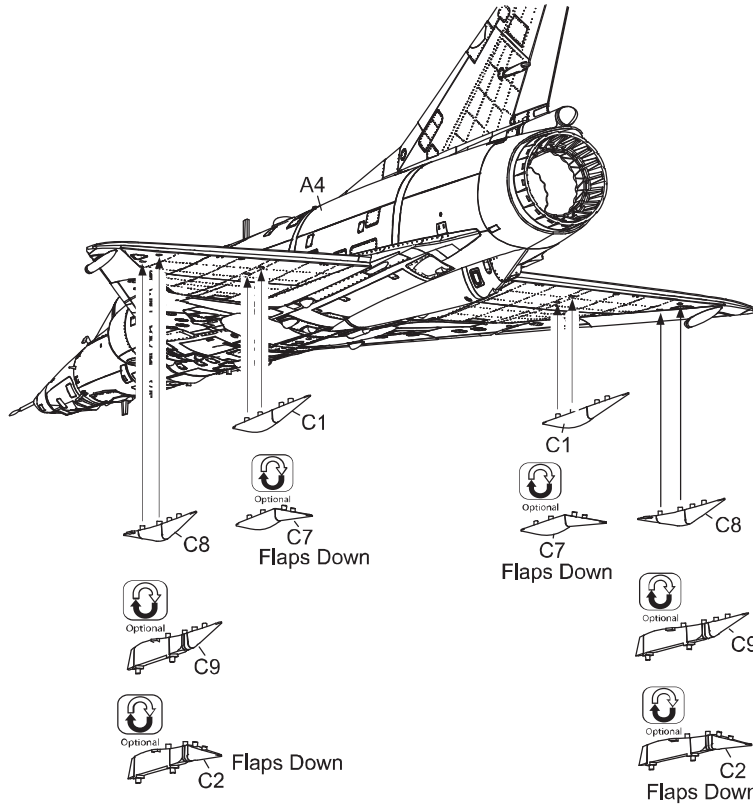
A x2 RP19R

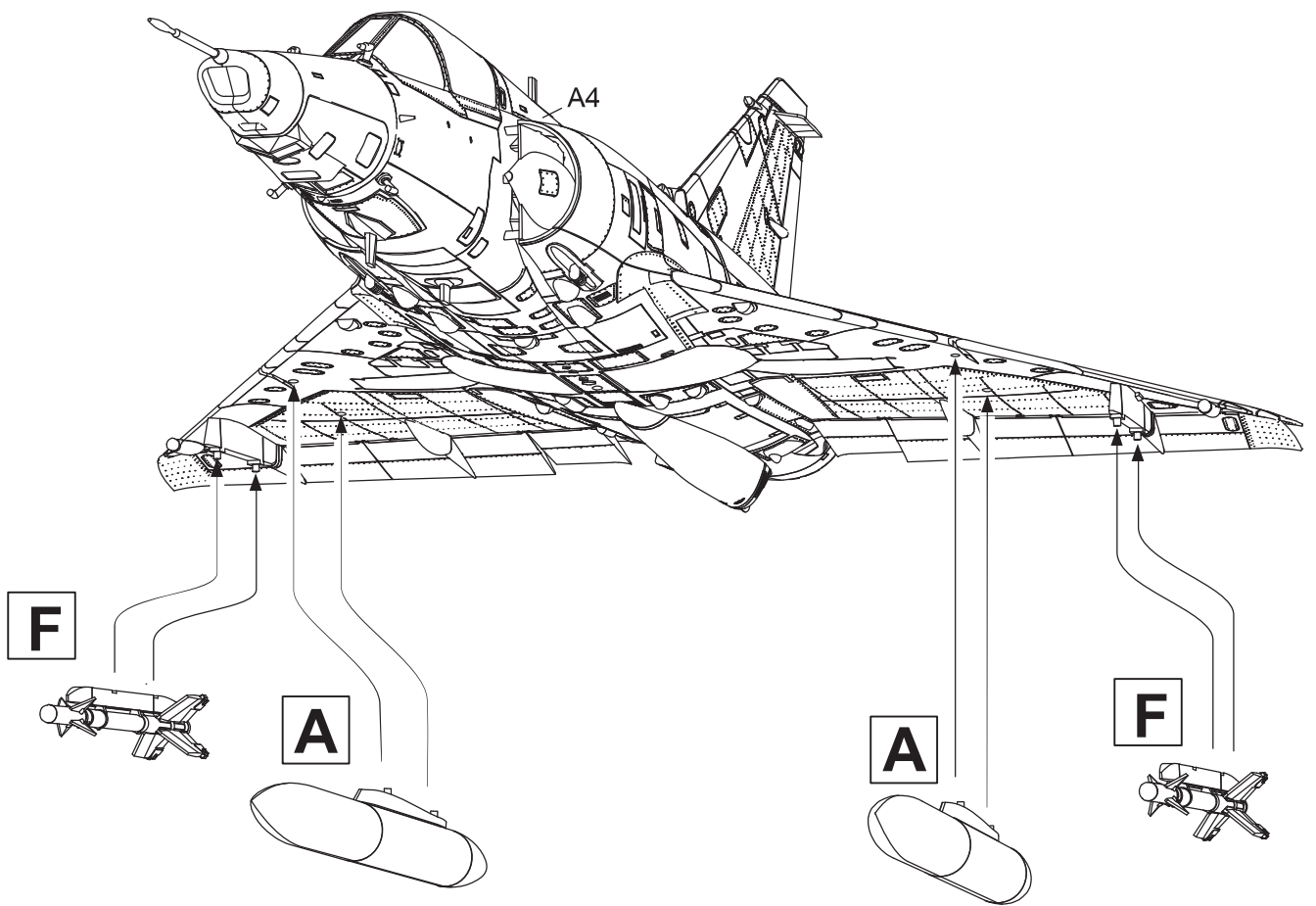


F x2 AIM-9B



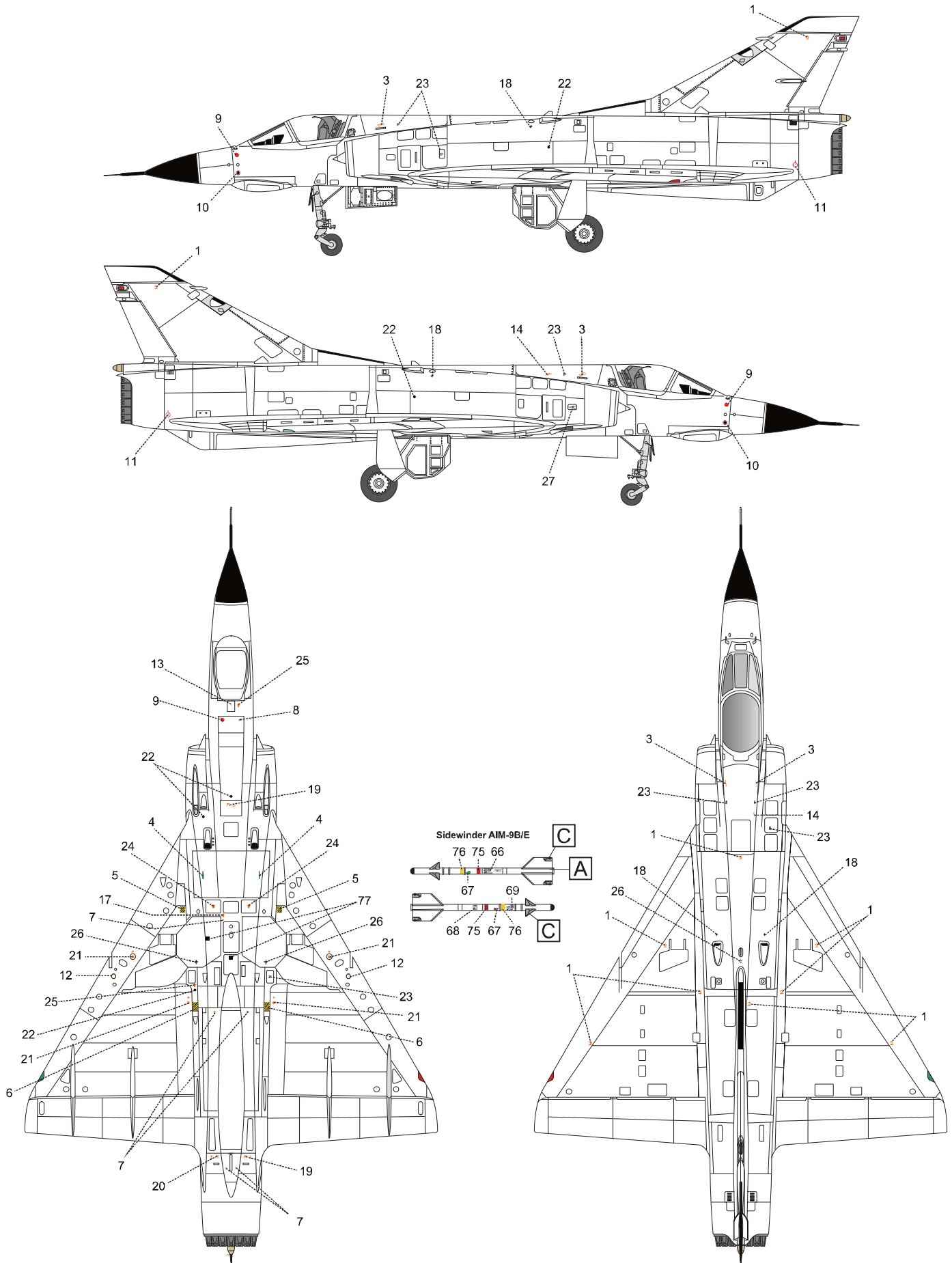
20



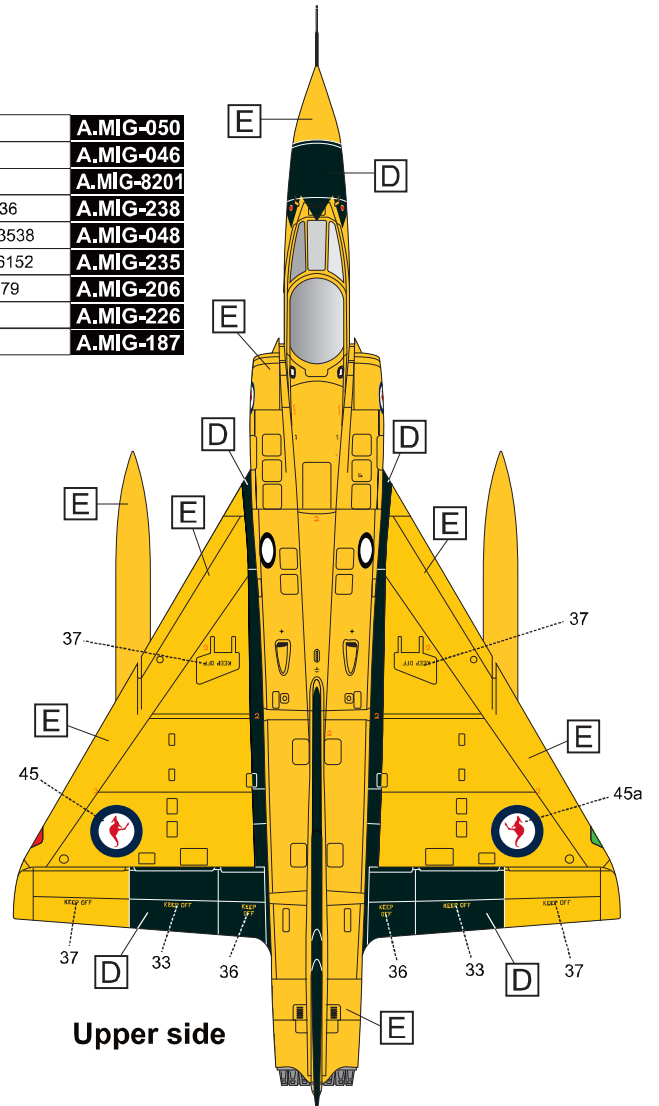
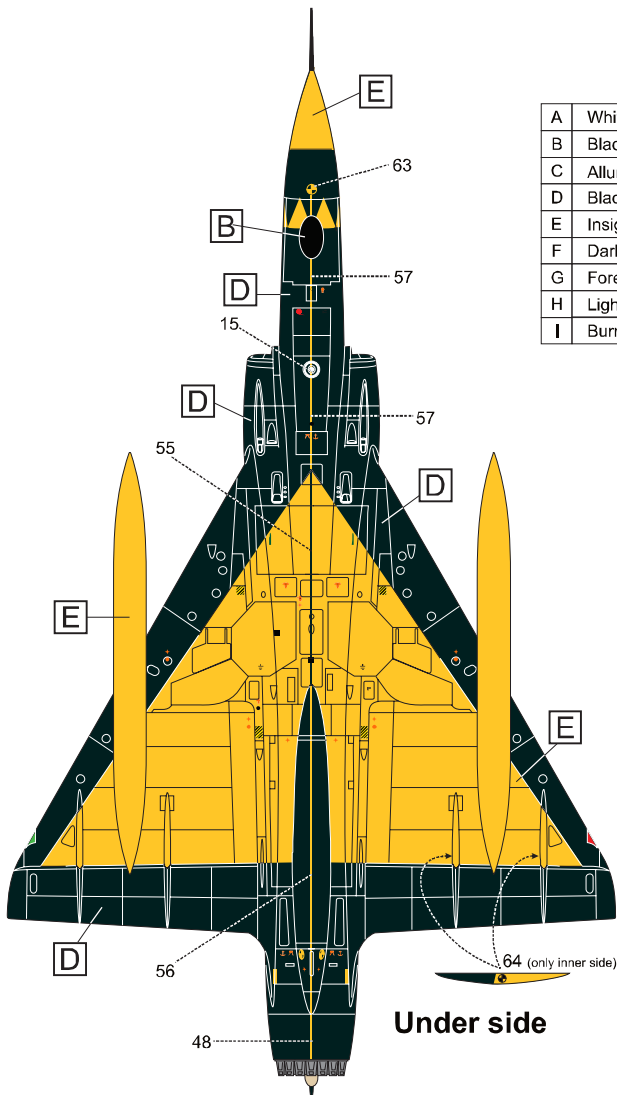
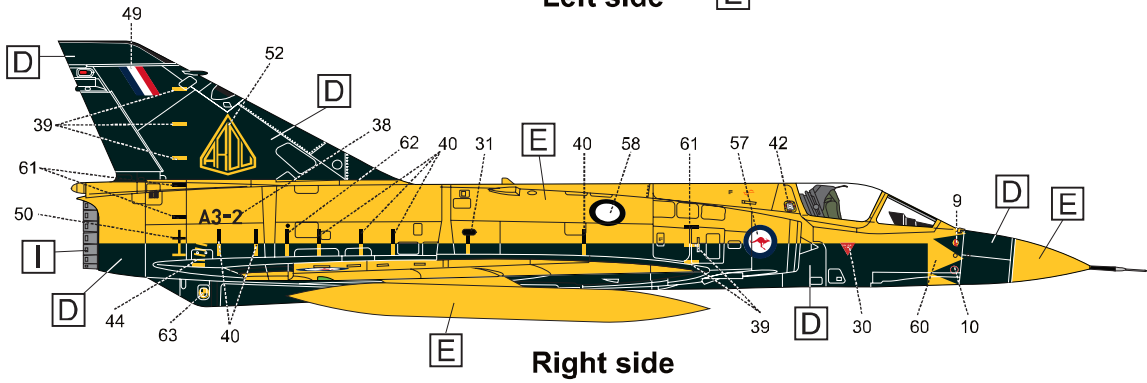
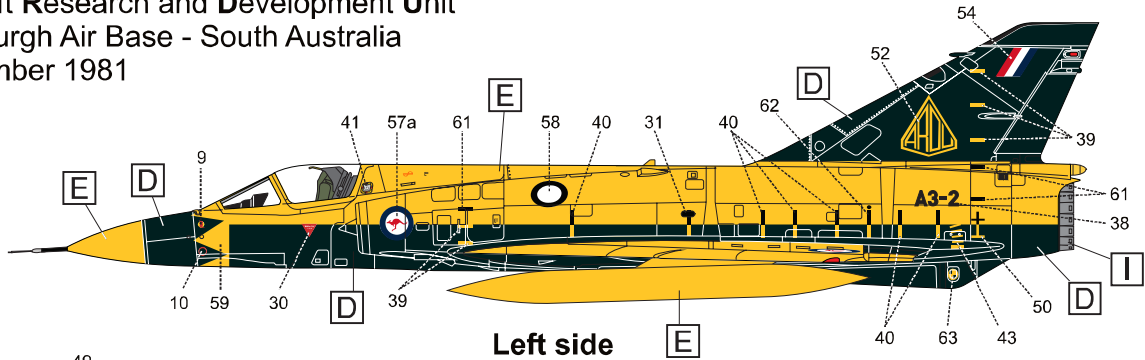


1/48 SCALE AIRCRAFT SERIES NO. K48145

1 - Common stencils for all versions



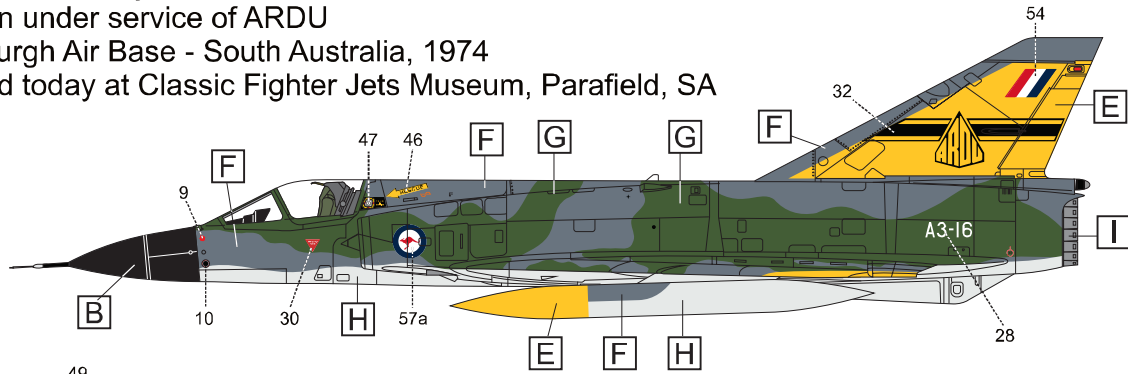
1 - Mirage IIIO - Royal Australian Air Force - A3-2
Aircraft Research and Development Unit
 Edinburgh Air Base - South Australia
 December 1981



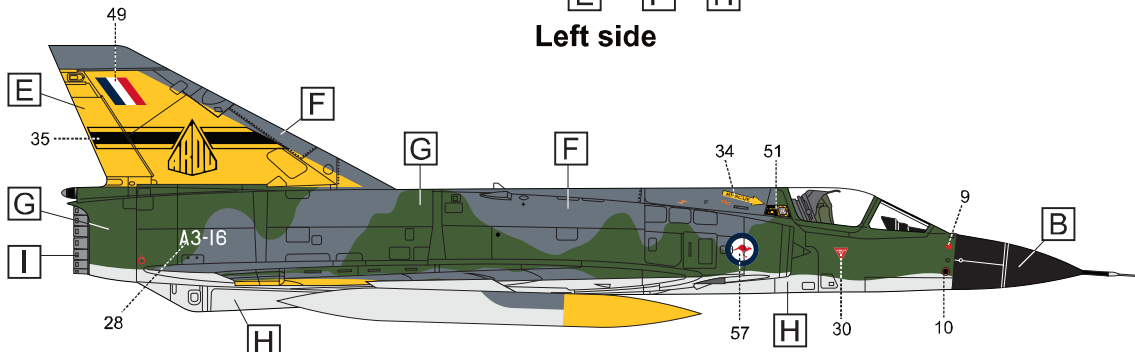
A	White	A.MIG-050
B	Black	A.MIG-046
C	Alluminum	A.MIG-8201
D	Black green FS 14036	A.MIG-238
E	Insignia Yellow FS 13538	A.MIG-048
F	Dark blue gray FS 36152	A.MIG-235
G	Forest green FS 34079	A.MIG-206
H	Light gray FS 36622	A.MIG-226
I	Burnt steel	A.MIG-187

1/48 SCALE AIRCRAFT SERIES NO. K48145

2 - Mirage III O - Royal Australian Air Force - A3-16
 77 Sqn under service of ARDU
 Edinburgh Air Base - South Australia, 1974
 Preserved today at Classic Fighter Jets Museum, Parafield, SA

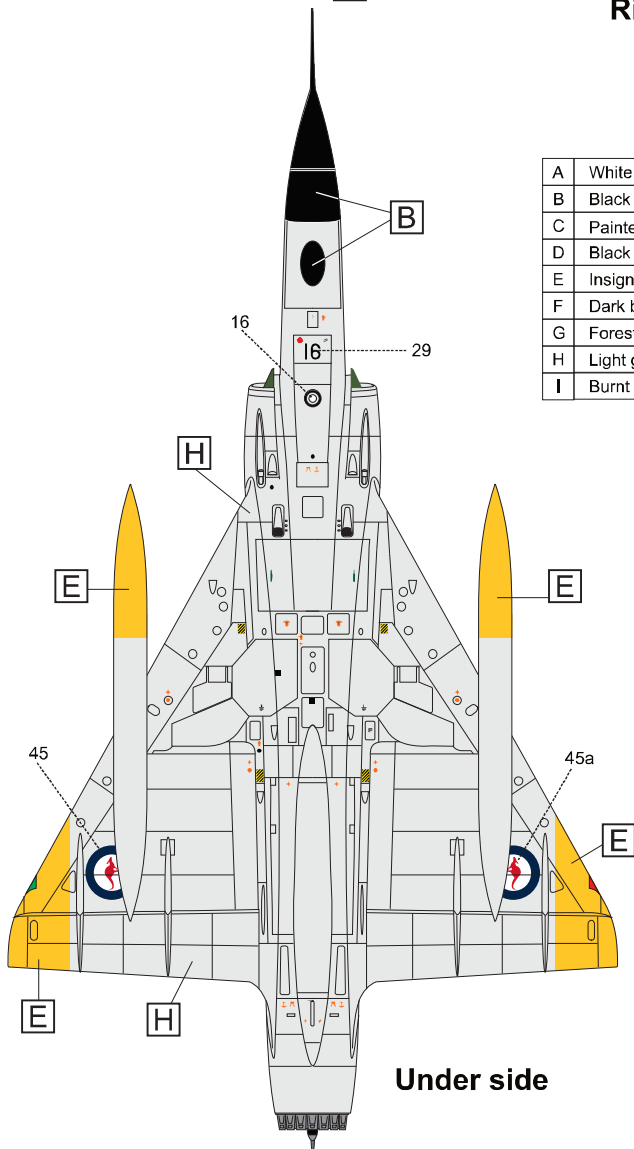


Left side

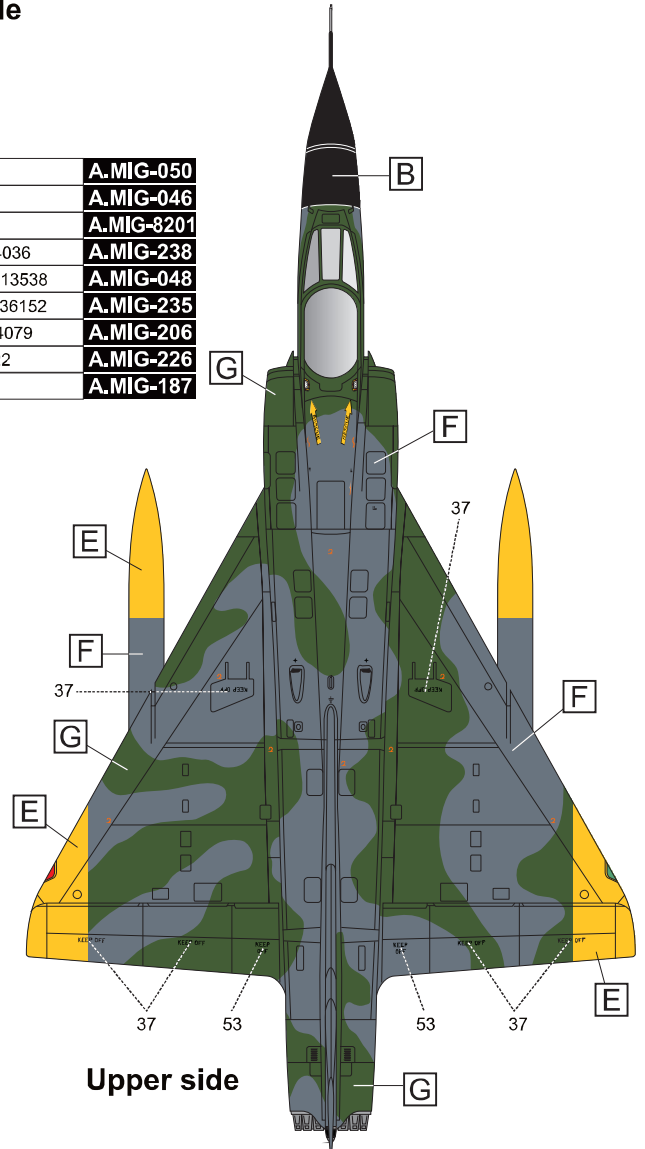


Right side

A	White	A.MIG-050
B	Black	A.MIG-046
C	Painted aluminum	A.MIG-8201
D	Black green FS 14036	A.MIG-238
E	Insignia Yellow FS 13538	A.MIG-048
F	Dark blue gray FS 36152	A.MIG-235
G	Forest green FS 34079	A.MIG-206
H	Light gray FS 36622	A.MIG-226
I	Burnt steel	A.MIG-187

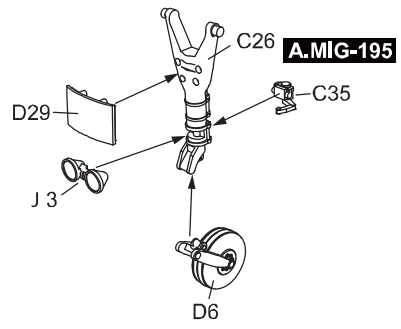
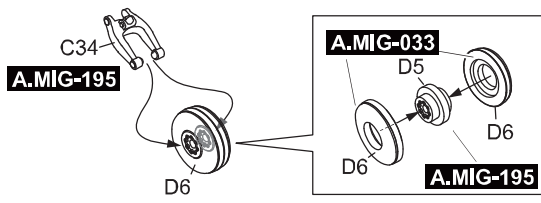


Under side

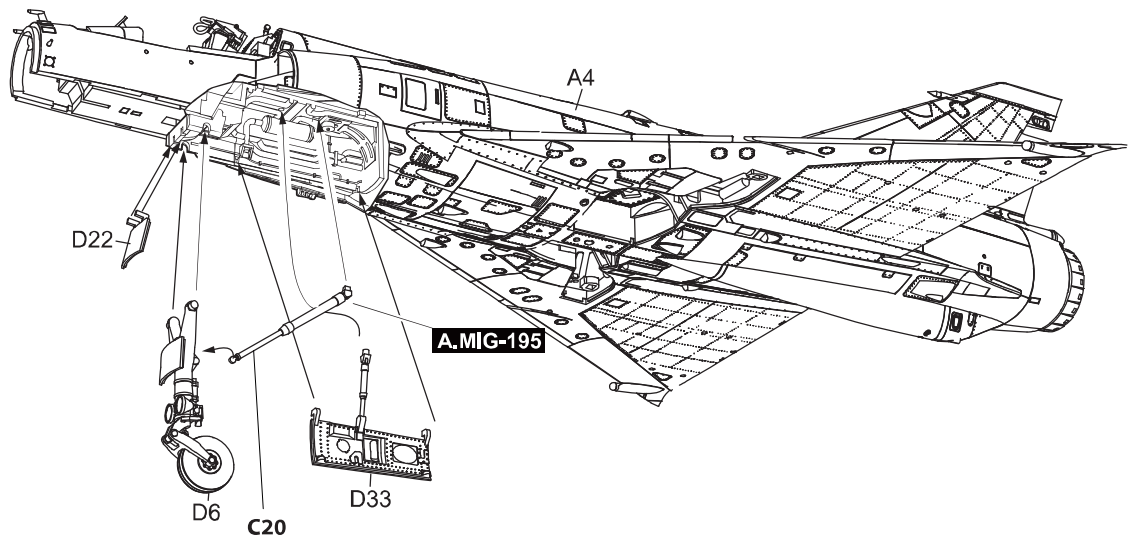


Upper side

9



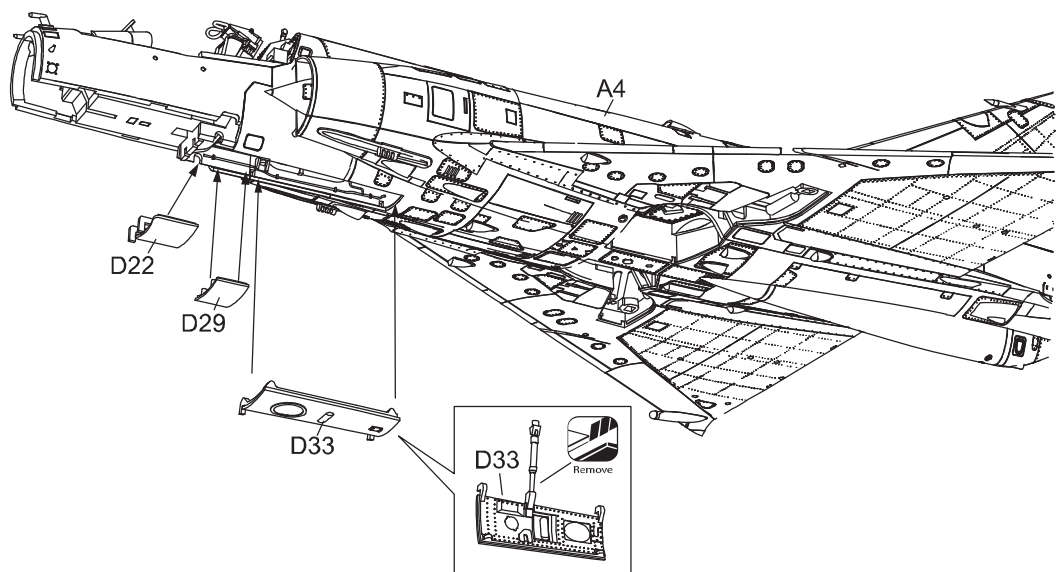
10



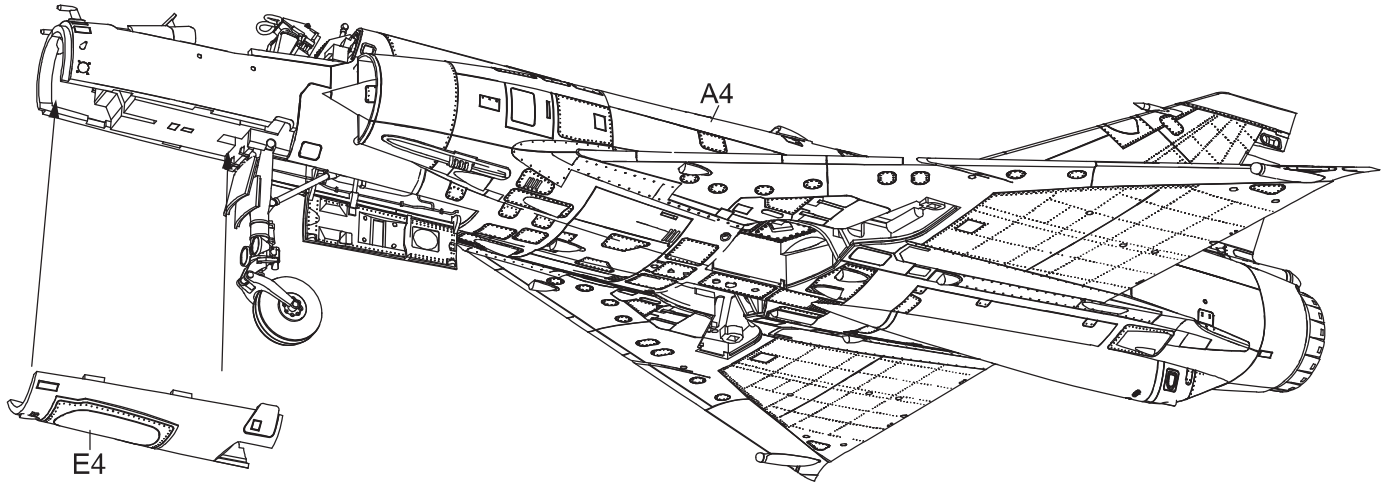
11



(IN-Flight Position)



12



13

