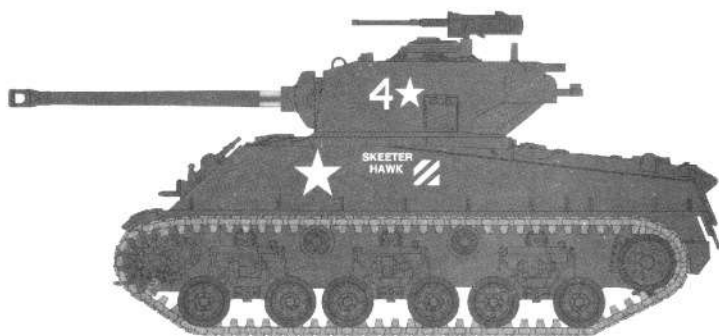


1:72 SCALE

ITEM NO.:07229

M4A3E8 TANK "KOREAN WAR"

M4A3E8 坦克 “韩战”



READ BEFORE ASSEMBLY:

- This kit is not recommended for inexperienced modelers or for children under 14 years of age
- Study and understand these instructions thoroughly before beginning assembly
- When needed, remove photo-etch parts carefully using a modeling knife or photo etch sprue cutter, being careful not to damage or lose small parts.
- Take extra care in handling photo etch parts in order to avoid injury
- Apply instant cement sparingly to photo etch parts where instructed
- Tools recommended(not included in kit):Plastic and instant cements,sprue cutters,long nose pliers,,modeling knife, small files, tweezers, pin vise & scissors. Soft cloth and sandpaper will also assist in construction
- Glue and paint are not included in the kit. Use plastic cement and hobby paints only. Color guide for purchasing paint is included in the kit.
- Keep out of reach of small children. They must not be allowed to ingest small parts or handle plastic bags in any way.

装配之前仔细阅读

- 小心用模型锉刀锉平所有零件表面的注射浇口。
- 小心用刀片切下蚀刻片零件，不要遗失小零件。
- 用强力快干胶水粘合蚀刻片零件和金属轴。过量的快干胶水使用可能导致可动零件会粘住，小心涂胶。
- 取蚀刻片时应特别注意安全，防止利边划伤手指。
- 某些零件表面需贴水上贴纸，请选择在装配的同时进行。
- 推荐模型工具(自备)：胶水、水口剪刀、长咀钳、刀片、锉刀、镊子、钳、钻、剪刀、瞬间快干胶。
- 软布同砂纸同时也应该是必备工具。
- 请使用塑料胶水和油漆，模型内不含。
- 谨防小孩吸吮塑料零件，或者将塑料袋套在头上，制作时应将套材远离小孩接触。
- 本产品不适合14岁以下没有经验的模型爱好者。



cyanoacrylate glue
使用强力胶



weight
配重



make hole
钻孔



cut / remove
切除



bend
弯曲



file / sand
锉平



option
选择



no cement
不涂胶水



decal
贴纸

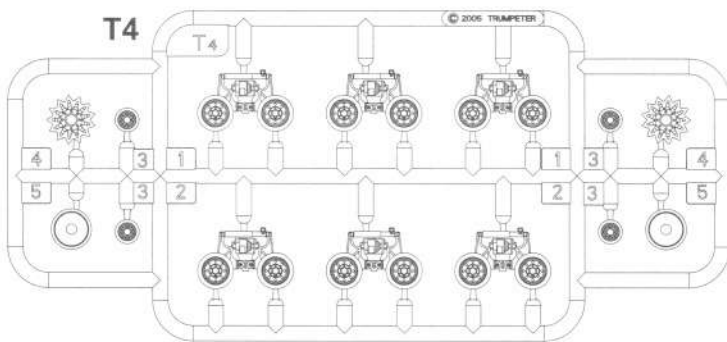
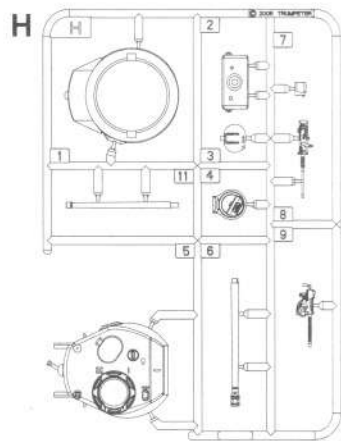
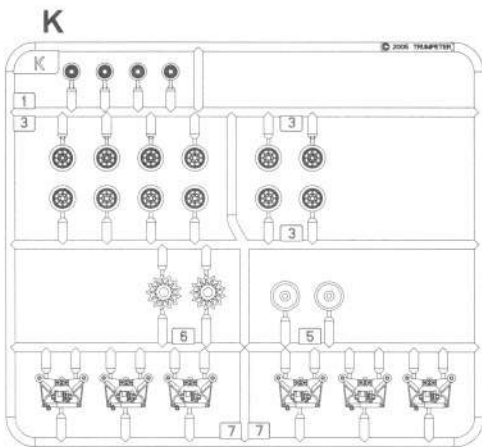
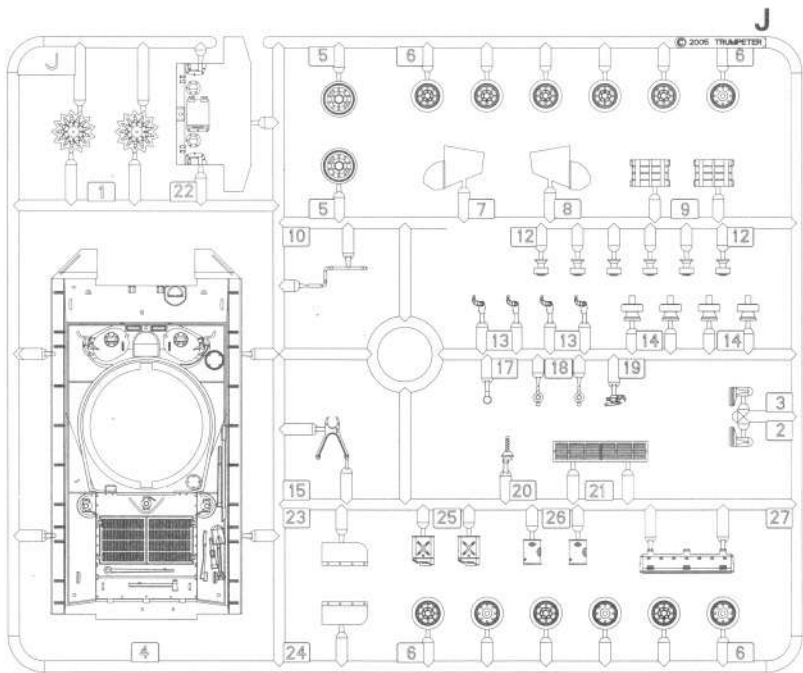
水贴纸的使用:

- 1.从水贴上剪下印花;
- 2.将印花放入温水中浸10秒，然后放在干净布上。
- 3.拿着印花纸板将印花移到模型上;
- 4.手指蘸水将印花移到适当的位置;
- 5.用软布轻压印花直至水干，气泡消失。

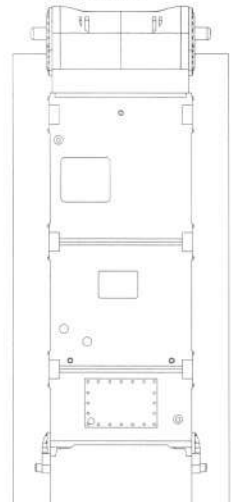
DECAL APPLICATION

1. Cut off decal from sheet.
2. Dip the decal in tepid water 40°C for about 10 sec. and place on a clean cloth.
3. Hold the backing sheet edge and slide decal onto the model.
4. Move decal into position by wetting decal with finger.
5. Press decal gently down with a soft cloth until excess water and air bubbles are gone.
6. Allow decal to dry completely before handling model.

部品图
Parts



车底
Lower hull



不用部品:
No used parts:H11.

T80履带
T80 Track X 2



水贴纸
Decal

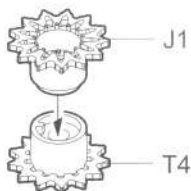


1 车轮组装 Wheels

您可以选择组装T版或A版零件。

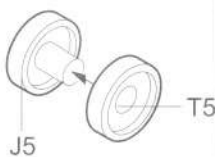
You can select T sprue parts or A sprue parts for assembly the wheels.

主动轮
Driver sprocket



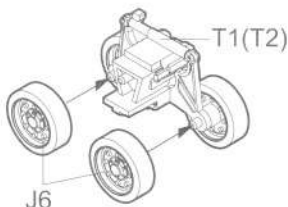
制作2套
Make two

诱导轮
Idler wheel



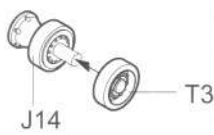
制作2套
Make two

路轮
Road wheel



制作6套
Make six

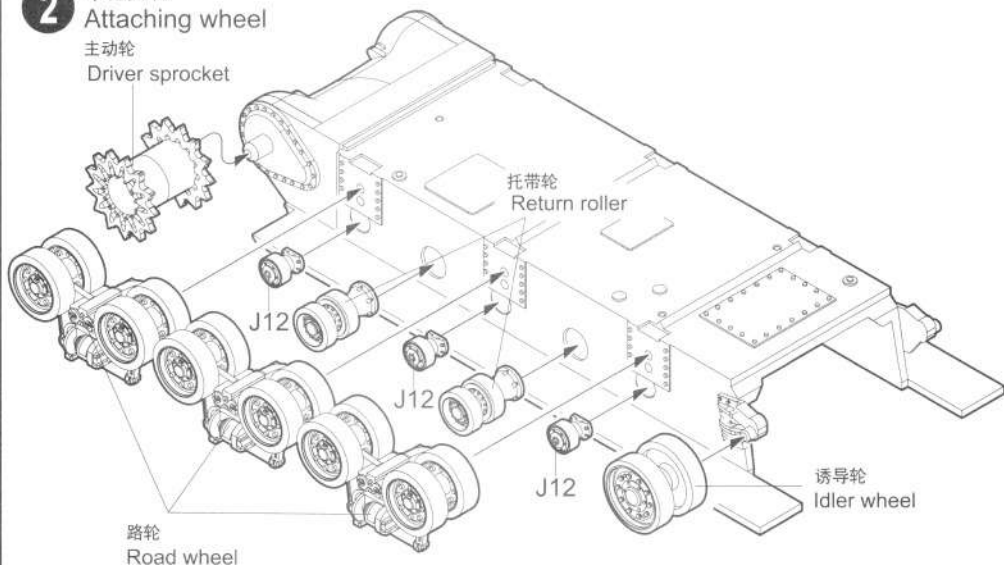
托带轮
Return roller



制作4套
Make four

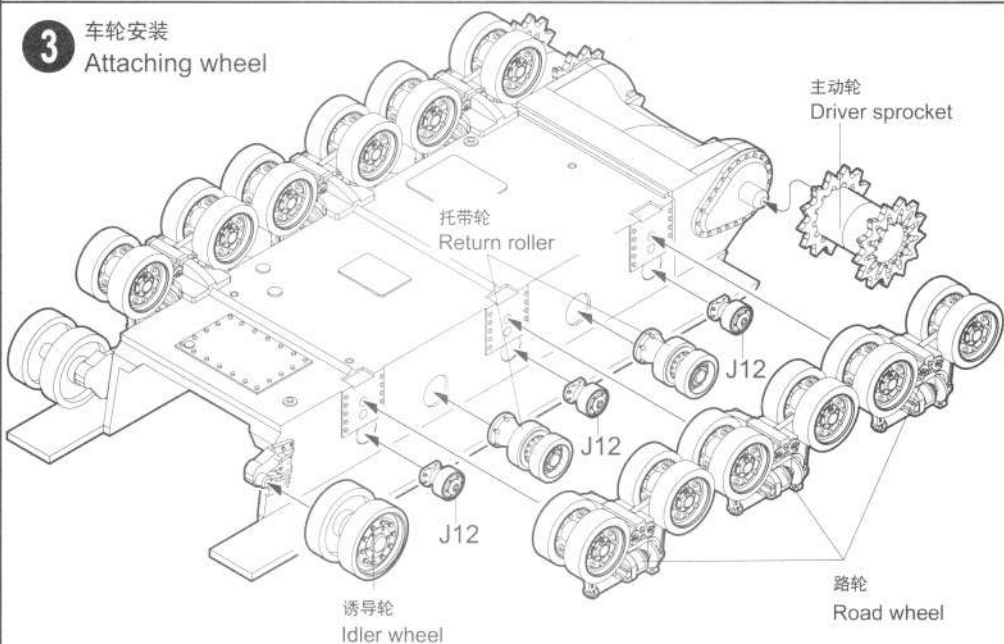
2 车轮安装 Attaching wheel

主动轮
Driver sprocket



3 车轮安装 Attaching wheel

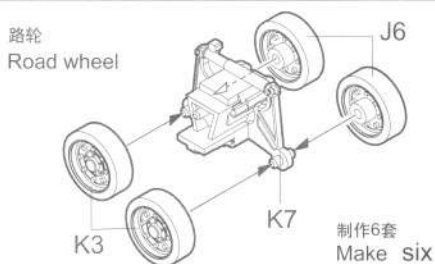
主动轮
Driver sprocket



4 车轮组装 Wheels

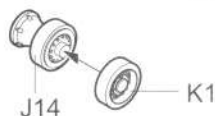
制作2套
Make two

主动轮
Driver sprocket



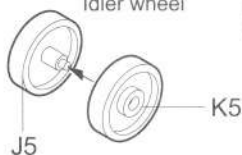
托带轮
Return roller

制作4套
Make four

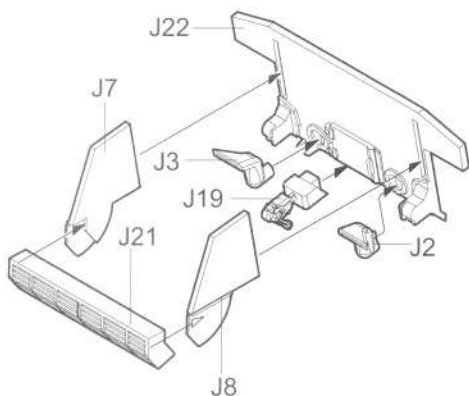


诱导轮
Idler wheel

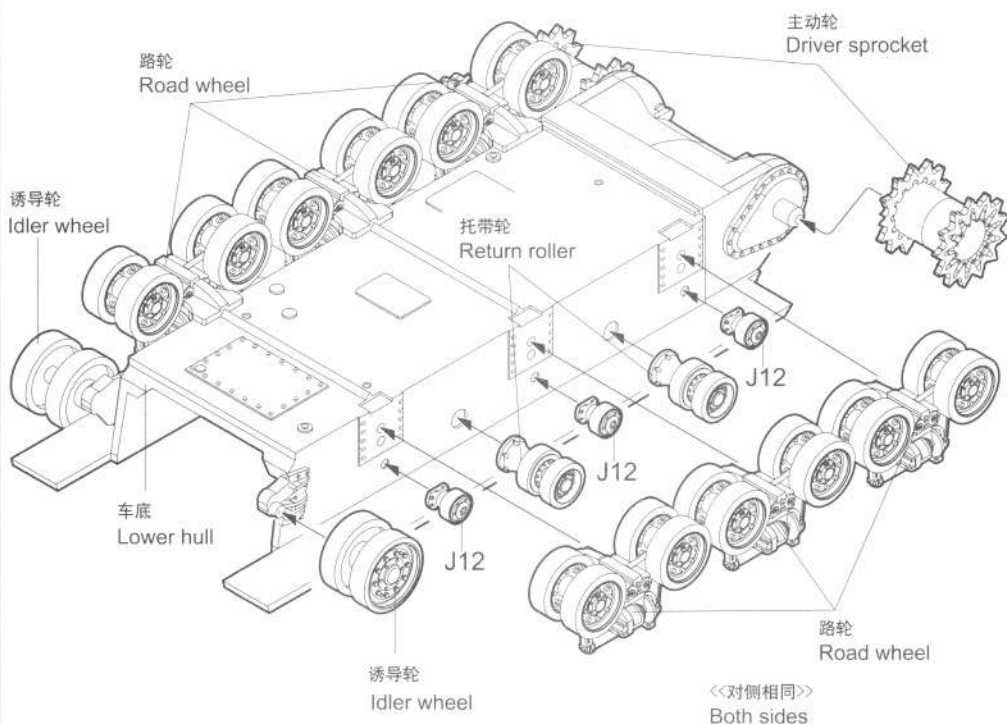
制作2套
Make two



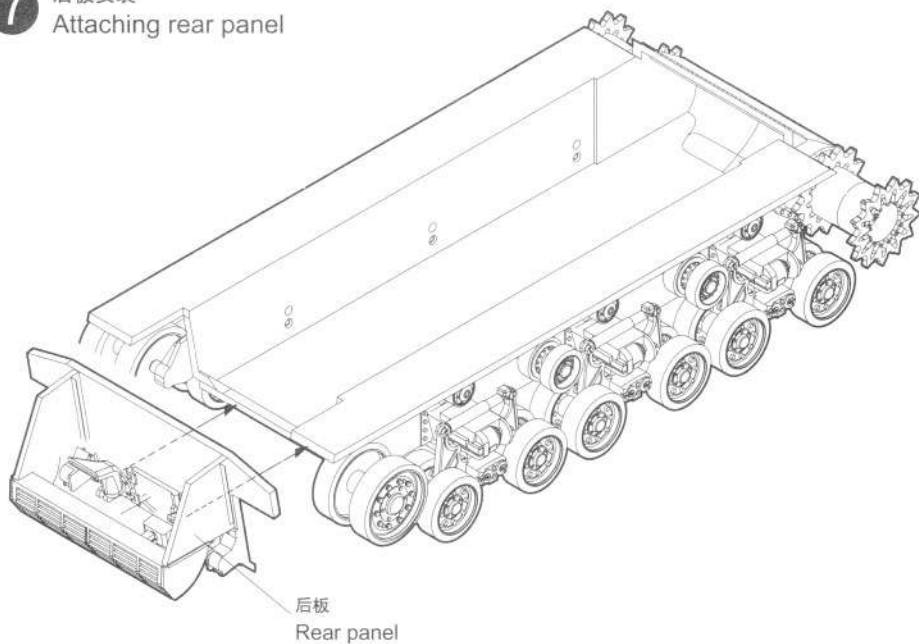
5 后板组装 Rear panel



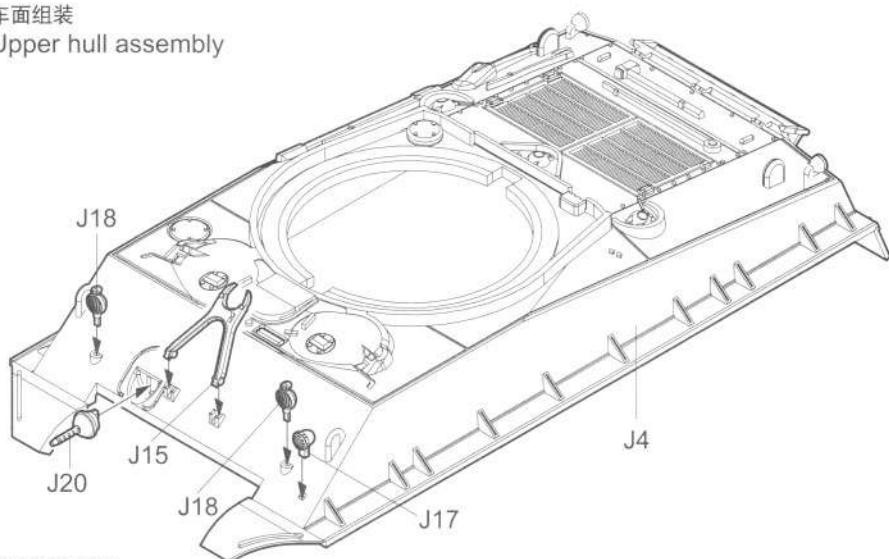
6 车轮安装 Attaching wheel



7 后板安装
Attaching rear panel



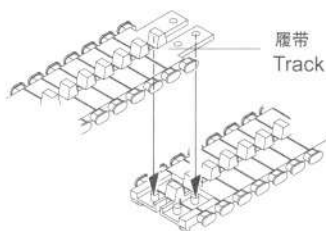
8 车面组装
Upper hull assembly



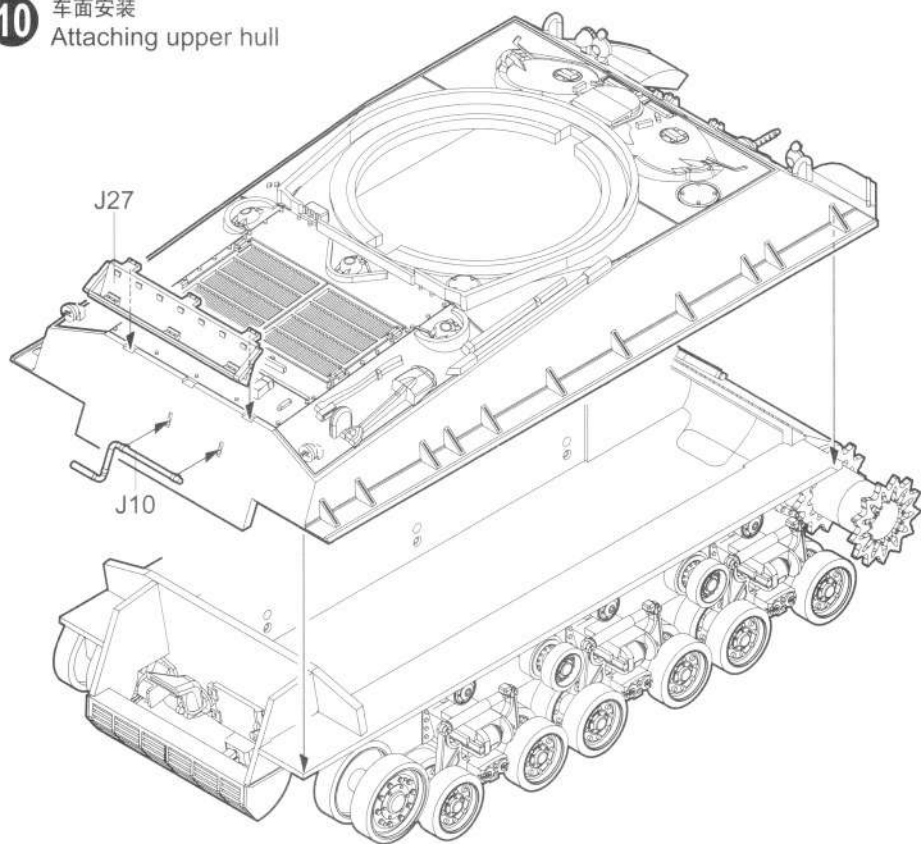
J15须于涂装完毕后装入
Attaching J15 after painting

9 T80履带联接
T80 track construction

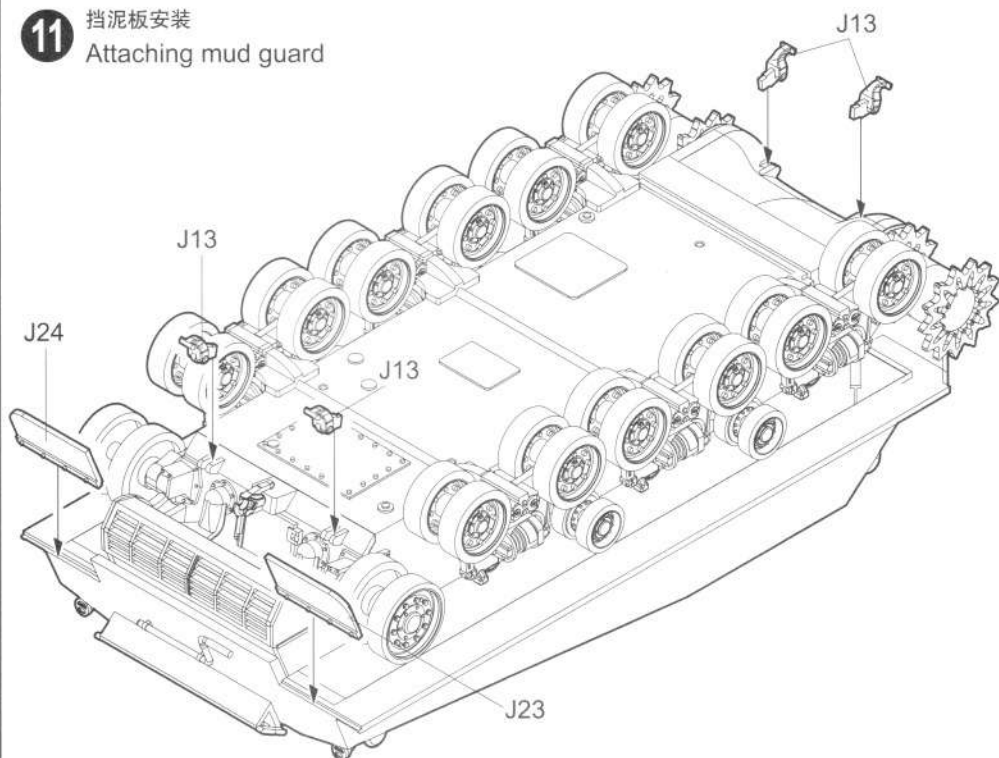
- * 履带可用塑料胶水粘合。
- * 履带可用模型油漆喷涂。
- * 若履带断裂，用细丝线固定。
- * The tracks in this kit can be glued using plastic cement.
- * The tracks can be painted using plastic paints.
- * If track is broken strengthen with staples or thread.



10 车面安装
Attaching upper hull

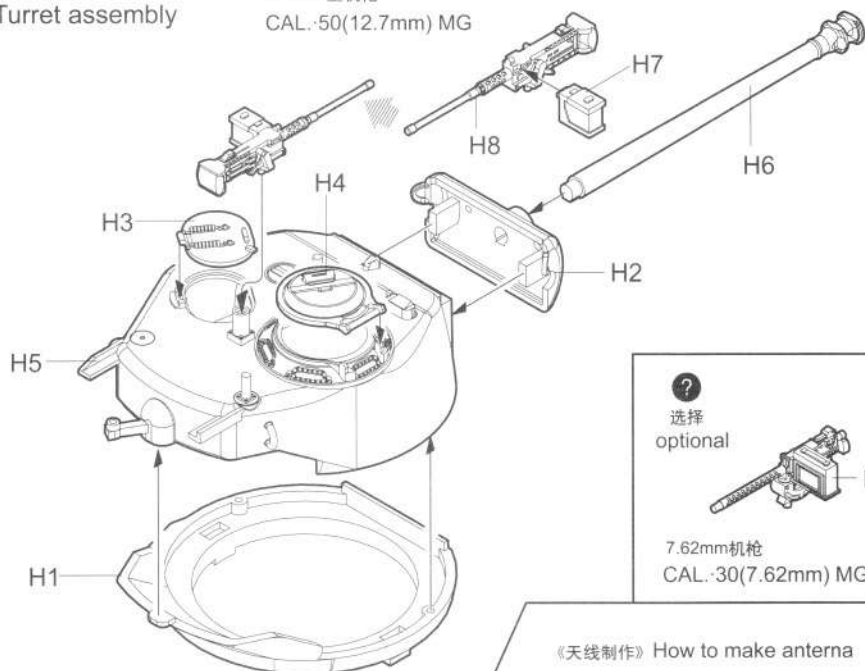


11 挡泥板安装
Attaching mud guard

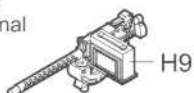


12 炮塔组装
Turret assembly

12.7mm重机枪
CAL. 50(12.7mm) MG

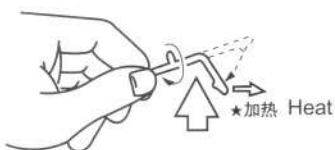


?
选择
optional



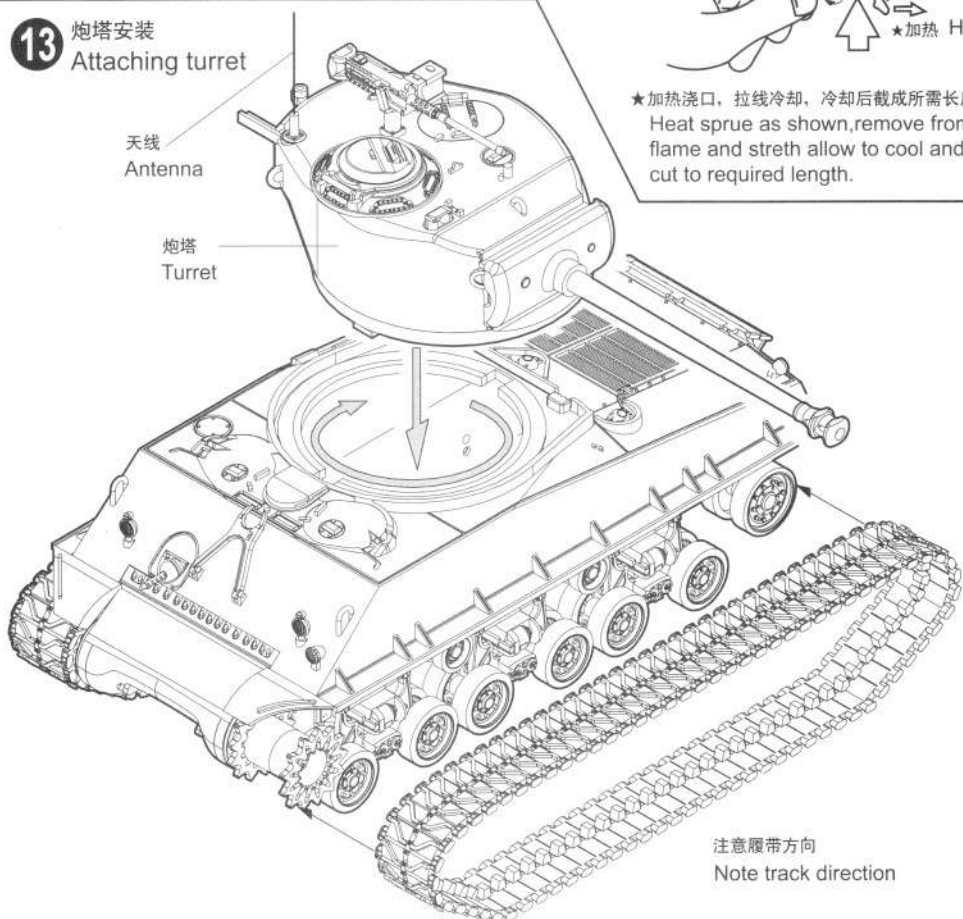
7.62mm机枪
CAL. 30(7.62mm) MG

《天线制作》 How to make antenna



★加热浇口, 拉线冷却, 冷却后截成所需长度。
Heat sprue as shown, remove from flame and stretch allow to cool and cut to required length.

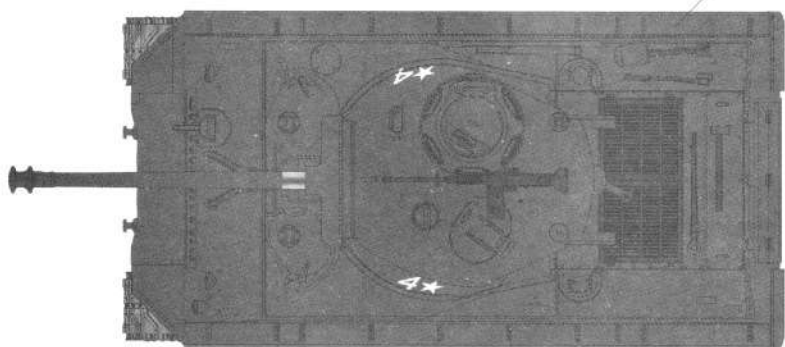
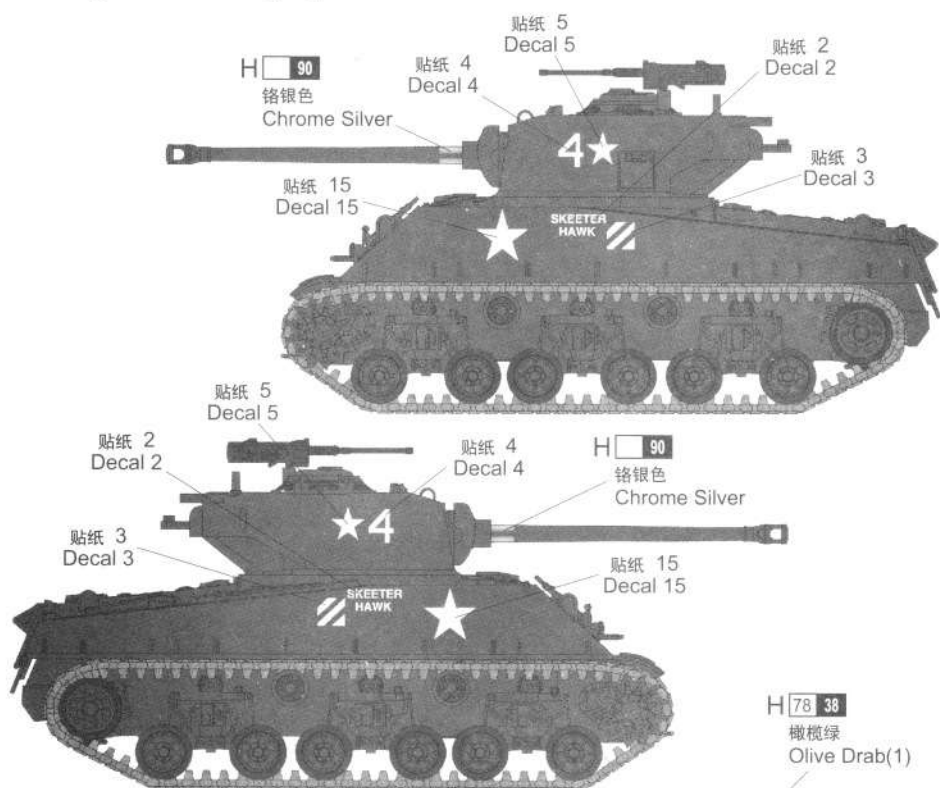
13 炮塔安装
Attaching turret



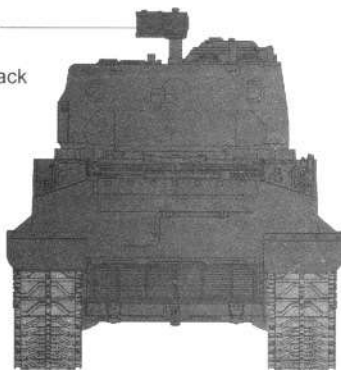
注意履带方向
Note track direction

涂装同标贴指示 Painting & Marking guide

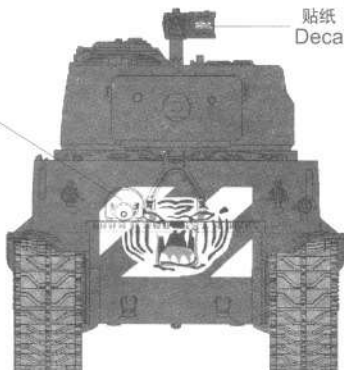
郡仕色使用
Gunze Mr. color used



H 28 78 金属黑 Metal black



贴纸 12 Decal 12
 贴纸 8 Decal 8





07229 1/72 U.S. M4A3E8 TANK ("KOREA" WAR)