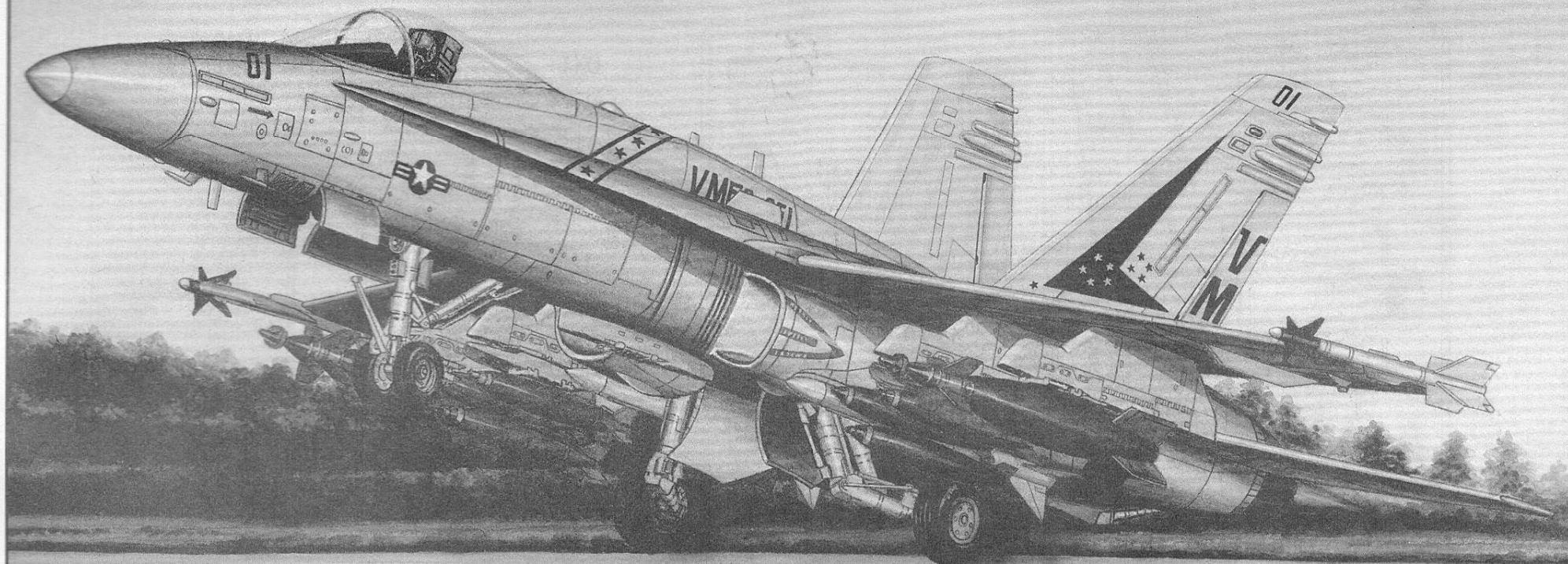


1:48 Scale

Item No.:80320



# F/A-18A HORNET

F/A-18A ホーネット F/A-18A 大黄蜂

## PLEASE READ BEFORE OPERATION!

- \* Tools recommended as below: (Not included)  
Adhesives; Paints; Side Cutters; Sharp Edged Pliers; Modeling Knife; Modeling File; Nippers; Drill; Scissors; Sand Paper; Soft Cloth; Cyanoacrylate Glue.
- \* Make sure to read this instruction listed below before assembling.
- \* The kit contains the small parts, they can be dangerous if swallowed by mistake, so keep them away from reach of children.
- \* Cut the all parts off carefully and remove the waste parts into the garbage can.
- \* More caution and care should be needed for cutting and handling the photo etched parts.
- \* Make attention that some parts should be attached the decal when assembled.
- \* During assembling, please tear up and throw away the plastic bags, or may cause the dangerous if wearing over head by children's mistake.
- \* When using the adhesives and paints, please do not use them in the closed room or near the fire, also must be very careful to protect your eyes, face and clothes.
- \* Adult supervised when assembled by children under 14 years old.

## 装配前请仔细阅读:

- \* 推荐使用的模型工具(请自备):  
专用模型胶水, 专用模型油漆, 水口剪刀, 长咀钳, 刀片, 锉刀, 镊子钳, 钻, 剪刀, 软布, 砂纸, 瞬间快干胶等。
- \* 用水口剪刀或刀片小心切下所有塑胶零件和蚀刻片零件, 不要遗失小零件。
- \* 切取蚀刻片时应特别注意防止利边划伤手指。
- \* 用模型锉刀小心锉平所有零件表面的注射浇口。
- \* 用适量的强力快干胶水粘合蚀刻片零件和金属轴, 切忌过量, 否则可能导致可动零件被粘住。
- \* 注意某些零件表面需在装配时同步贴上水贴纸。
- \* 制作时应远离幼儿并将包装袋及时收妥, 谨防小孩玩耍而引起意外。



cyanoacrylate glue  
强力胶



weight  
配重



make hole  
钻孔



cut / remove  
切除



option  
选择



no cement  
不涂胶水



decal  
贴纸



bend  
弯曲



repair  
填补

## The method to apply the decals

1. Cut off the decal from the decal paper and put it into the warm water 40°C for 10 seconds.
2. Take the decal from the water and put it on a piece of clean cloth.
3. Remove the decal slowly from the paper to the targeted location by a wet finger.
4. Use a piece of dry and soft cloth to press it gently on the decal until it getting dry and no bubble existing.

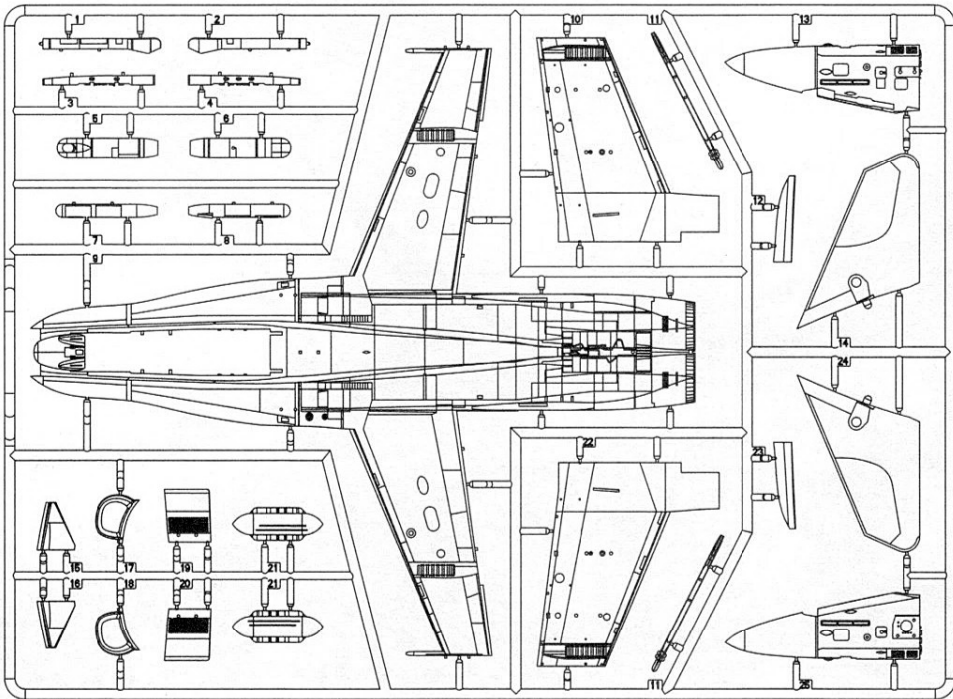
## 水贴纸的使用方法:

- 一. 把相关的印花从水贴上剪下, 放入40°C左右的温水中浸10秒。
- 二. 然后将印花放在干净的布上。
- 三. 拿上印花纸板, 手指蘸水将印花移到适当的位置。
- 四. 用软干布轻压印花直至水干, 气泡消失。

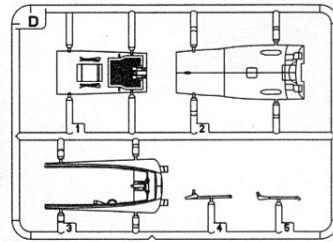


# 部品图 Parts

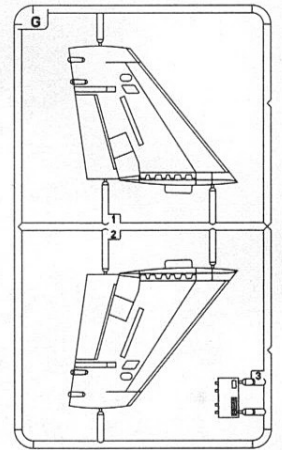
AX1



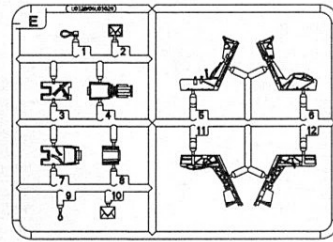
DX1



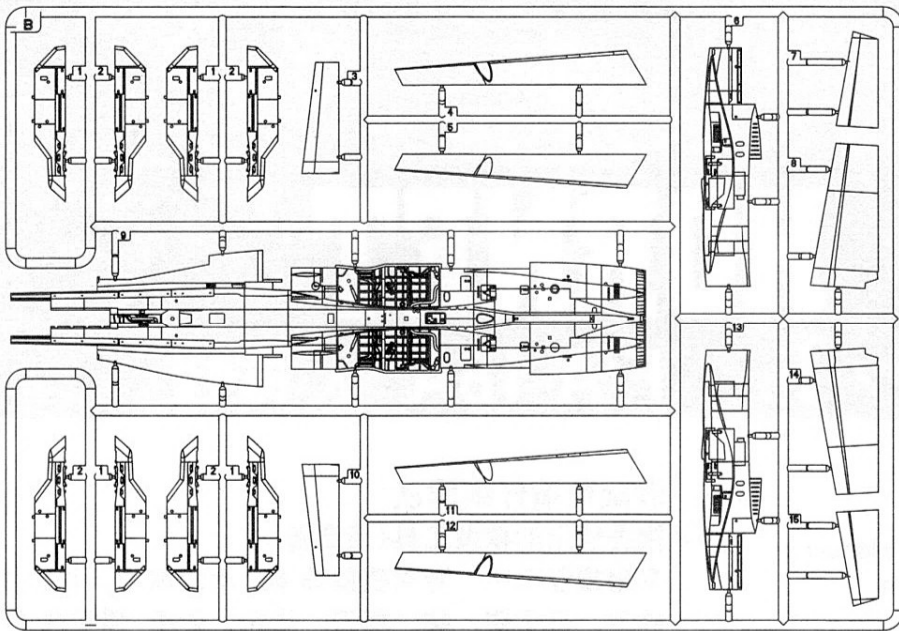
GX1



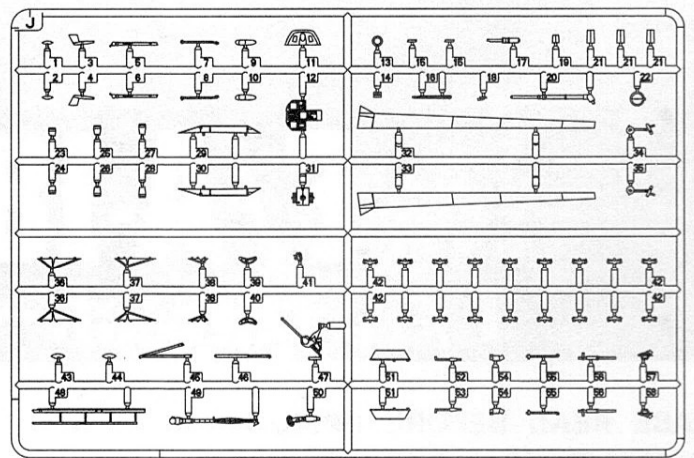
EX1



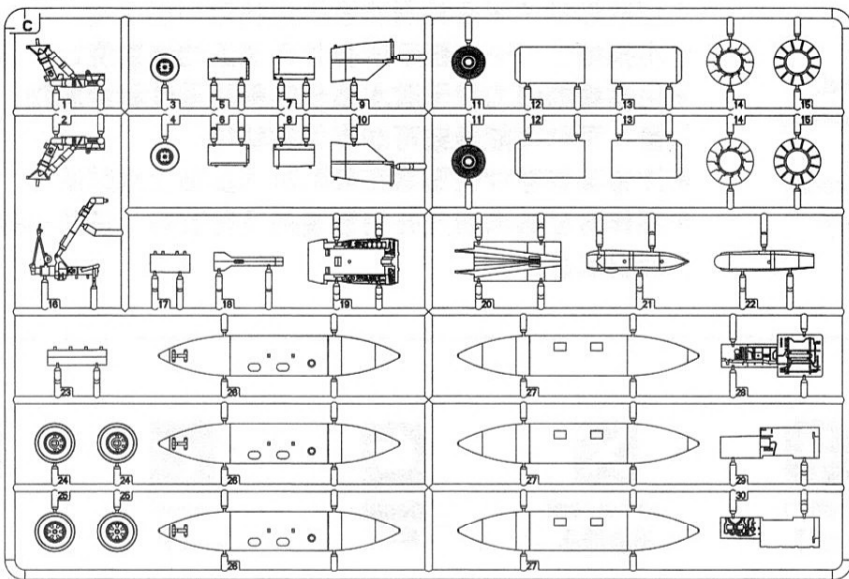
BX1



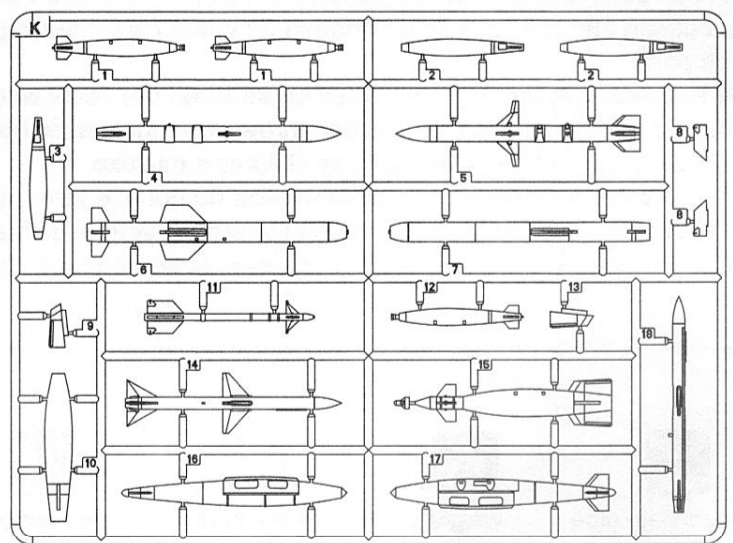
JX1



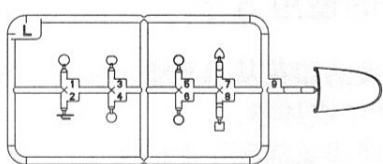
CX1



KX2



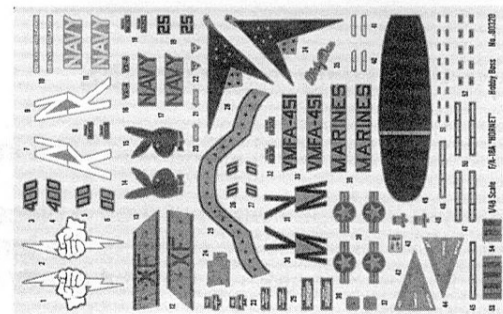
LX1



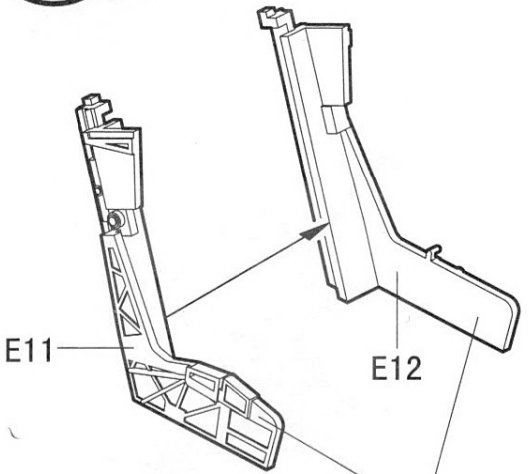
<<座舱盖>>  
Canopy



<<水贴纸>>  
Decal

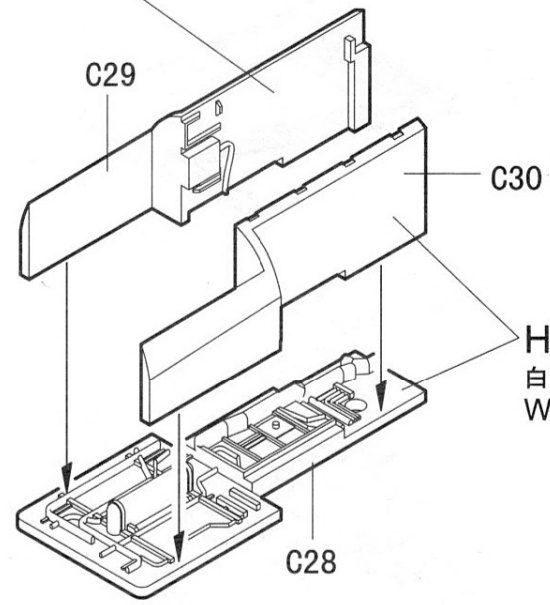


**1**  
STEP

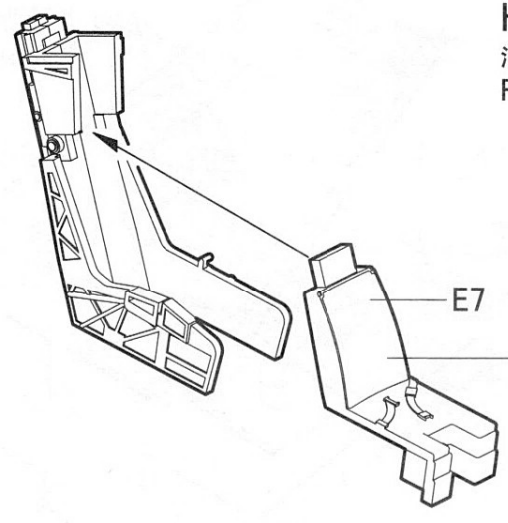


H 12 33  
消光黑  
Flat black

H 316 316  
白色  
White Insignia

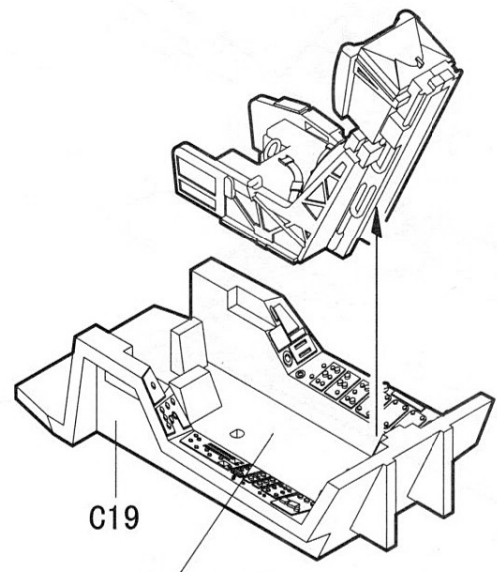
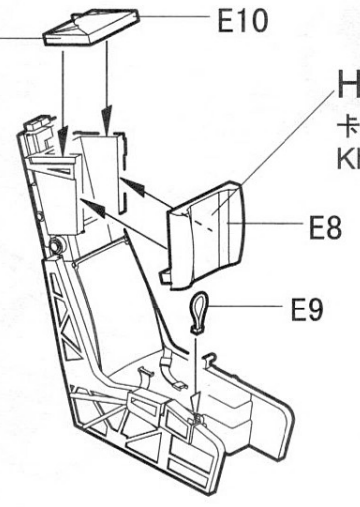


H 316 316  
白色  
White Insignia

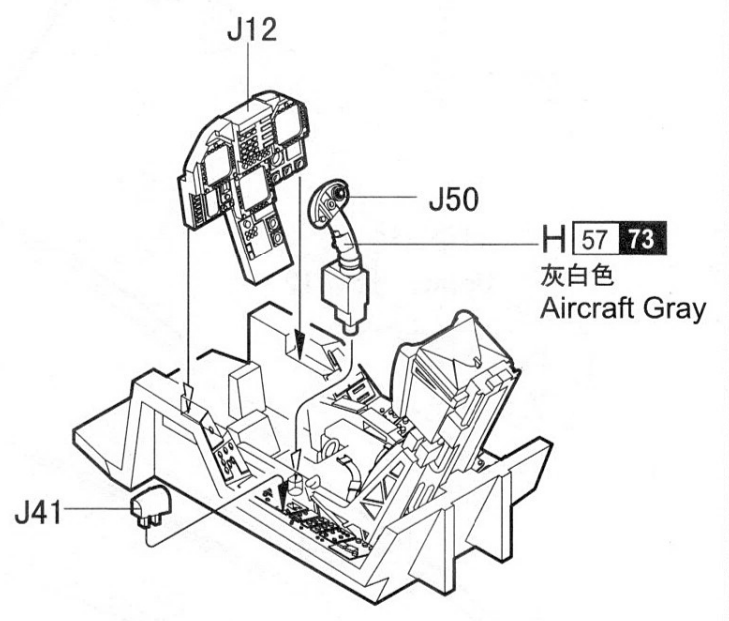


H 12 33  
消光黑  
Flat black

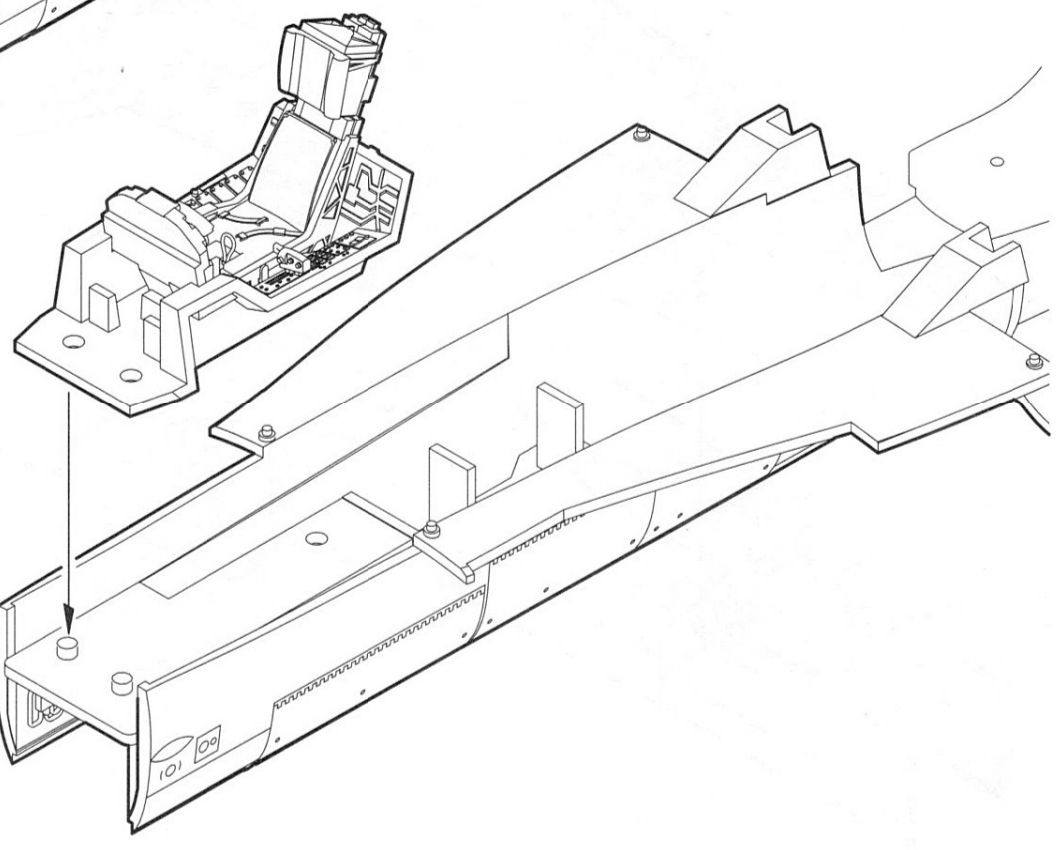
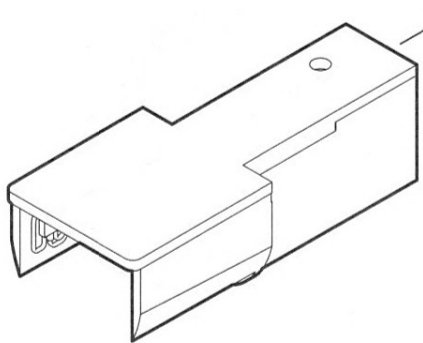
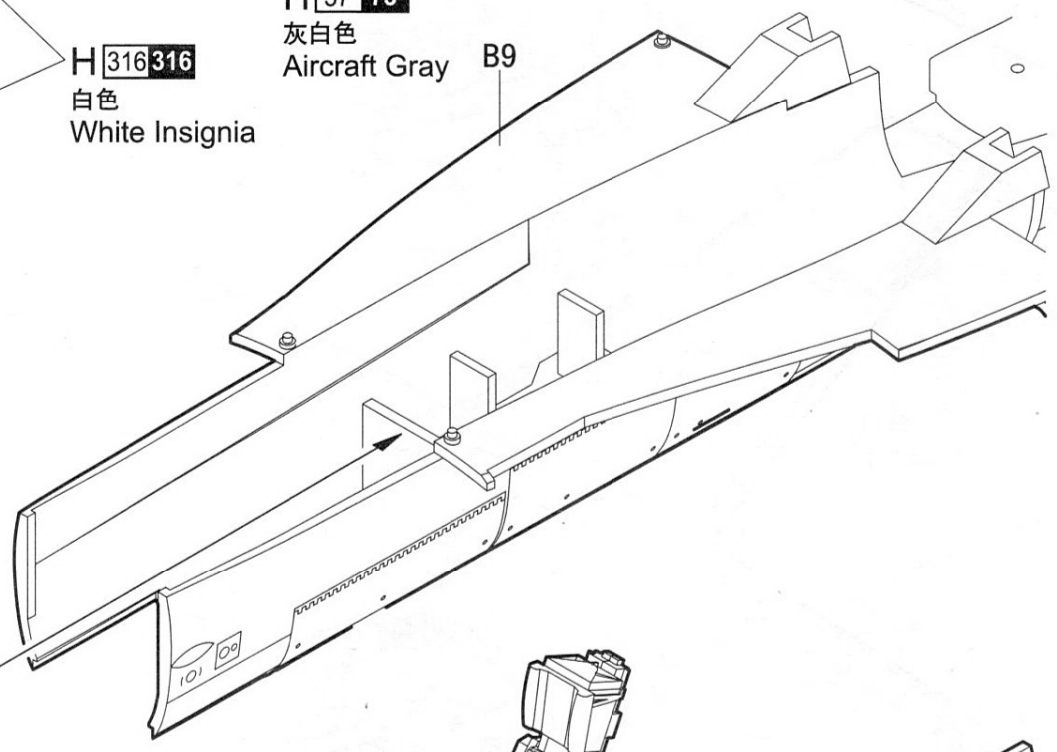
H 81 55  
卡其色  
Khaki



H 57 73  
灰白色  
Aircraft Gray

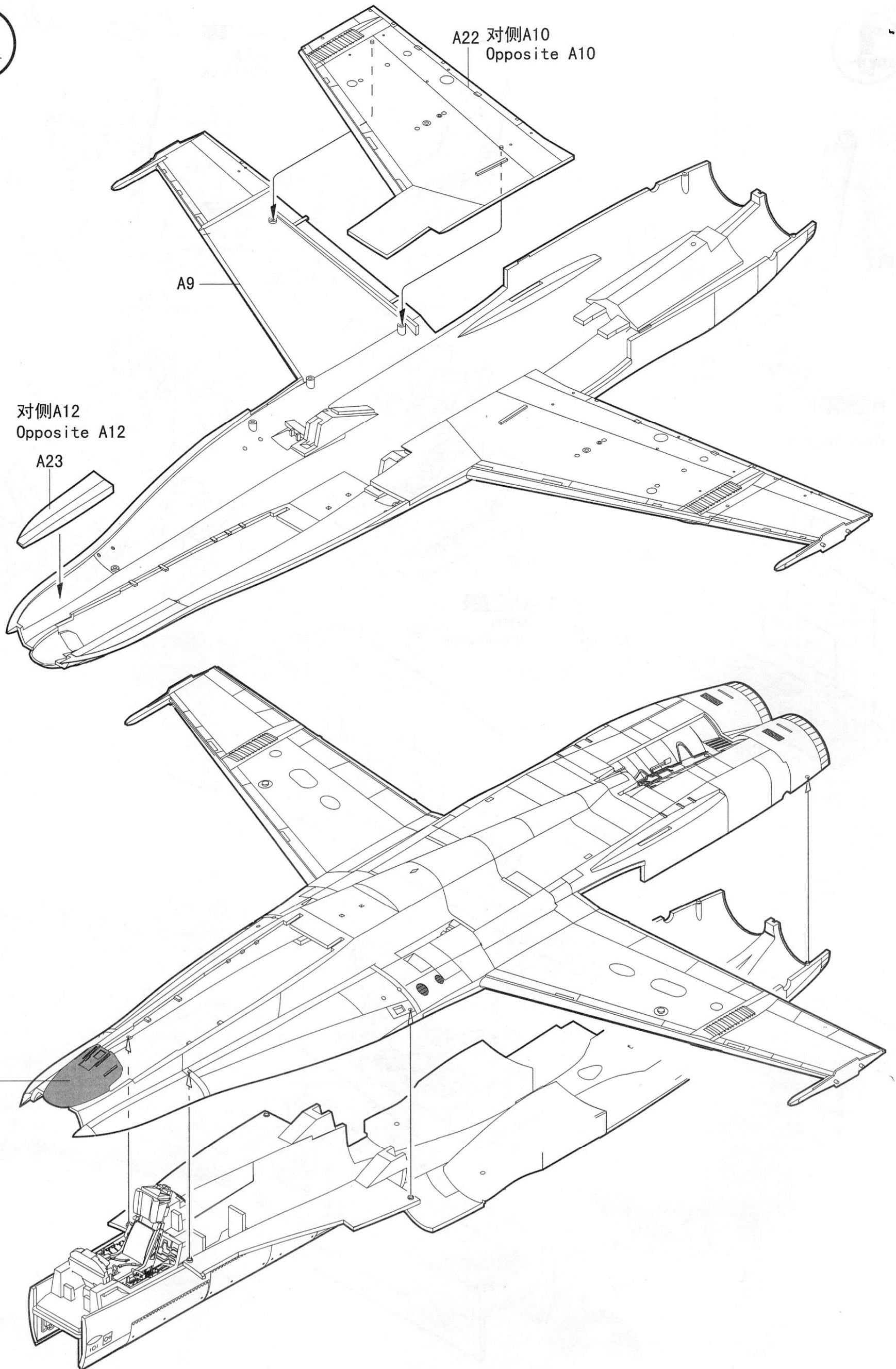


H 57 73  
灰白色  
Aircraft Gray



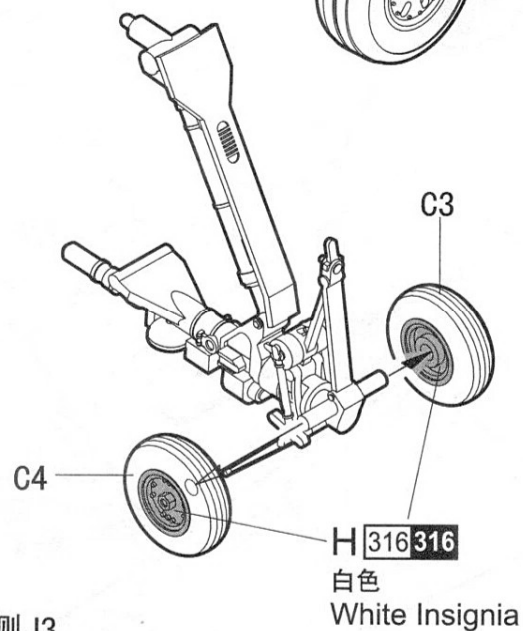
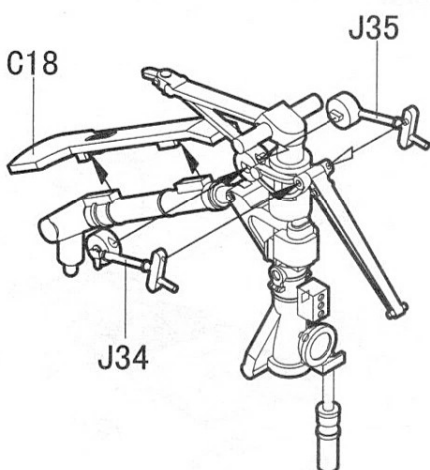
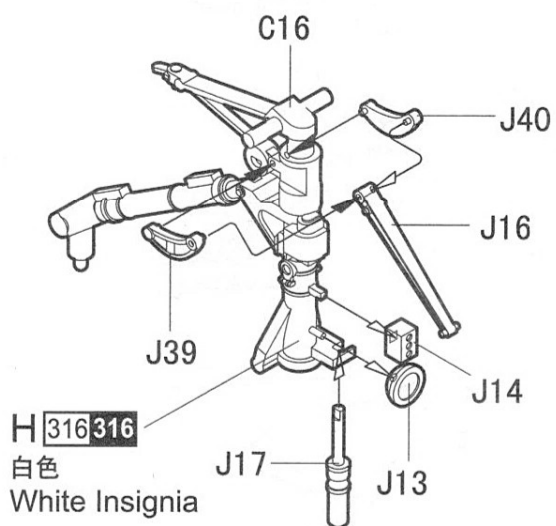
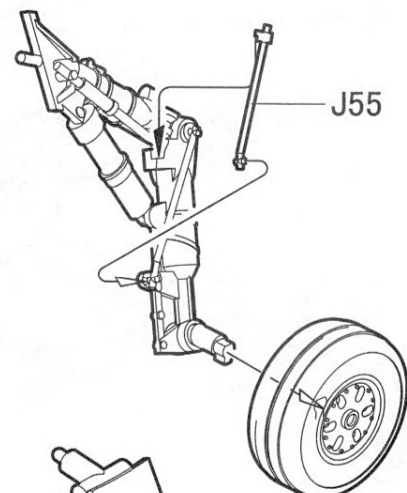
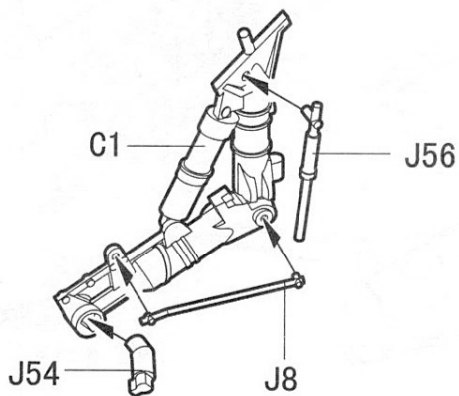
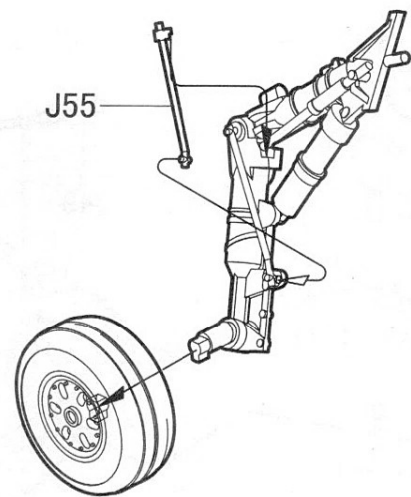
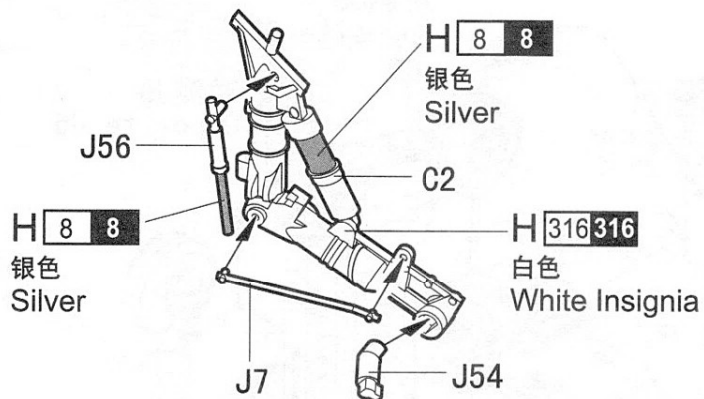
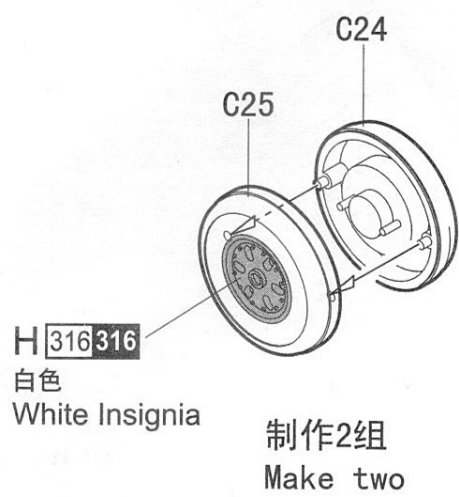


**2**  
STEP



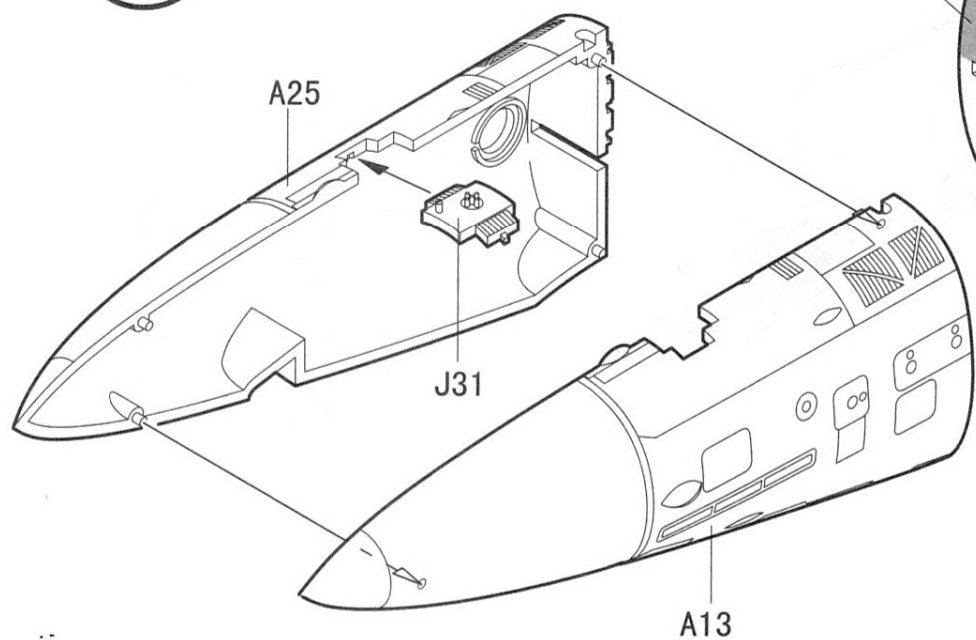


**3**  
STEP

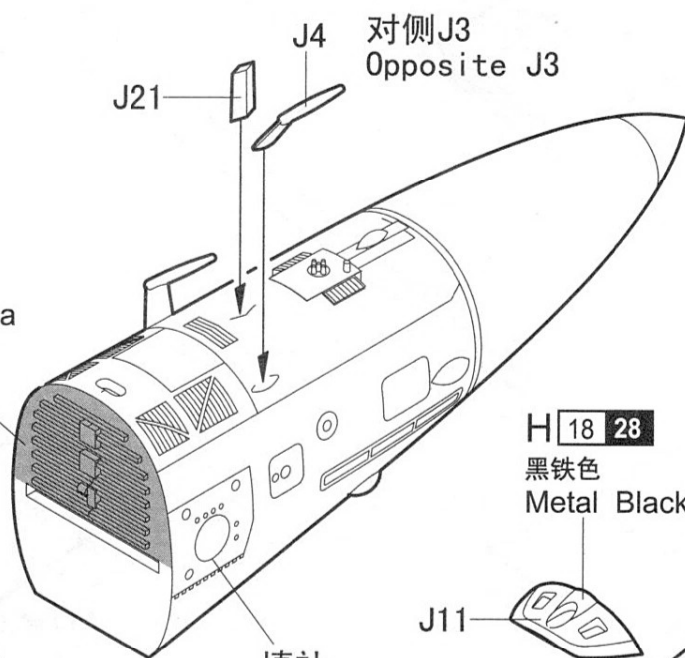


J4 对侧J3  
Opposite J3

**4**  
STEP

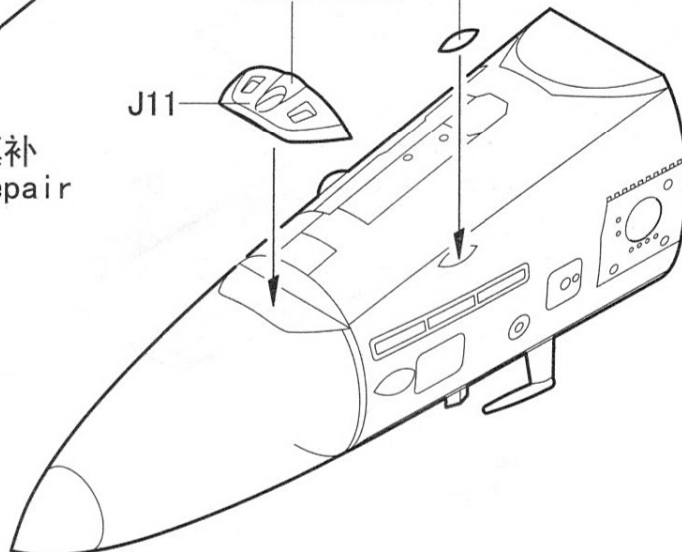


H 316316  
白色  
White Insignia

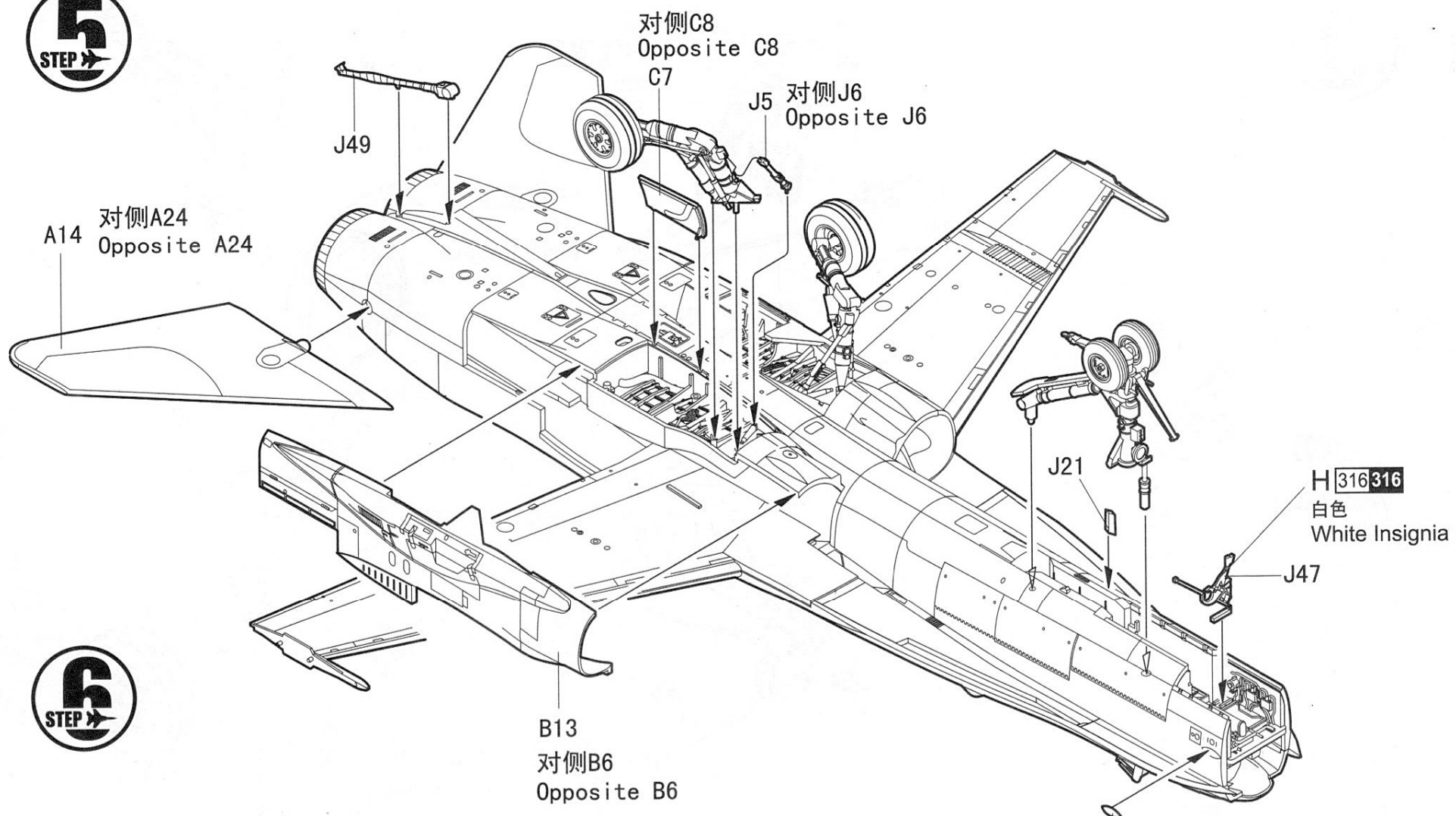


H 18 28  
黑铁色  
Metal Black

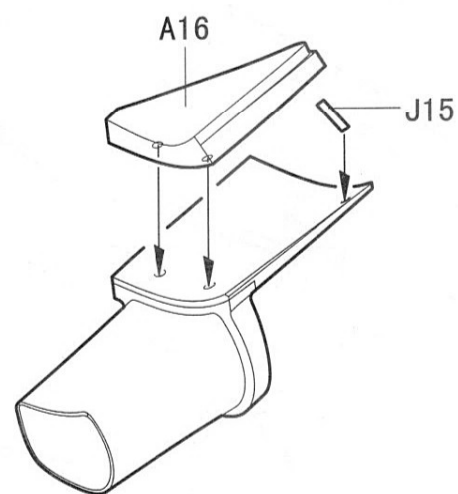
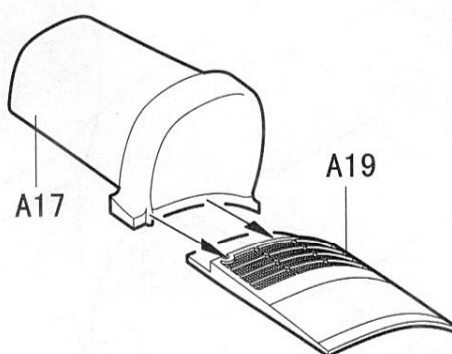
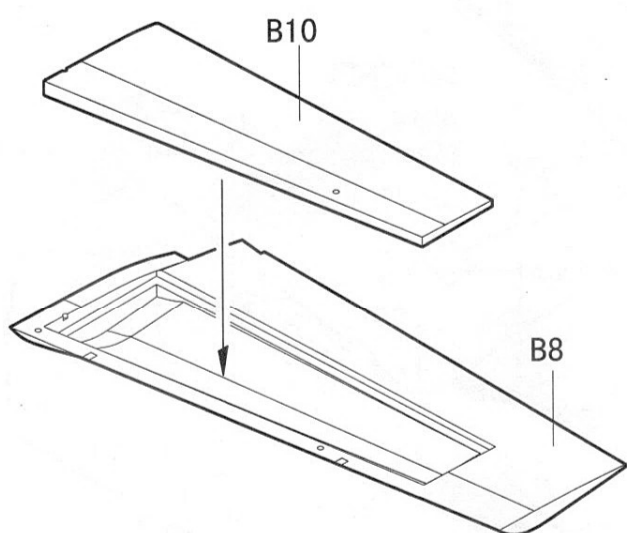
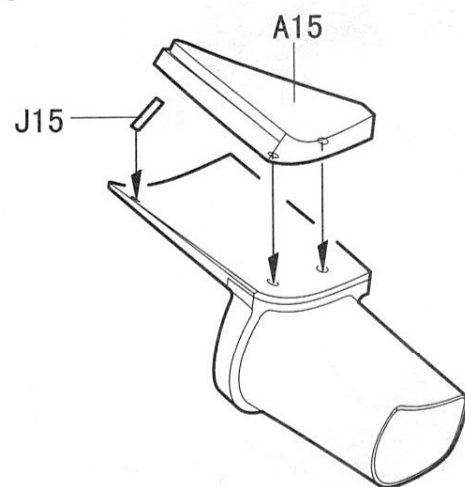
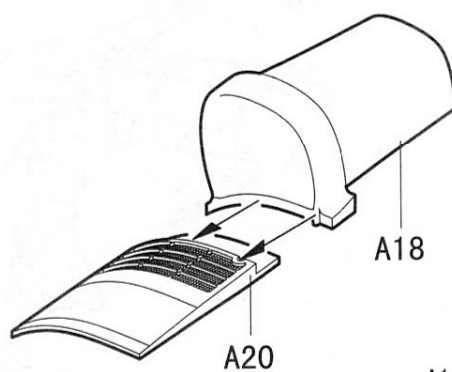
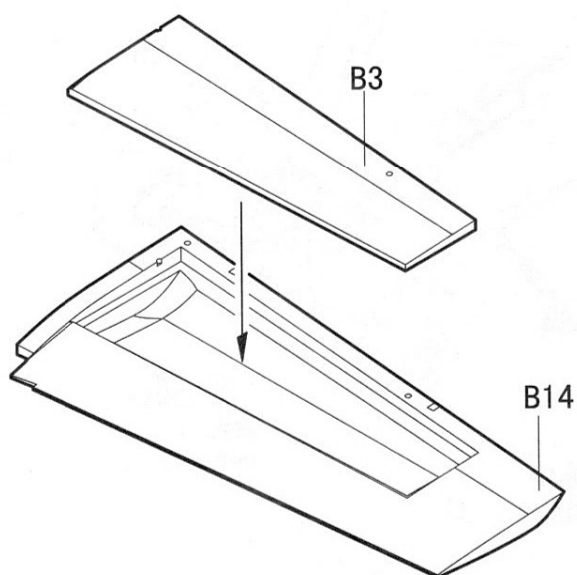
J1 对侧J2  
Opposite J2



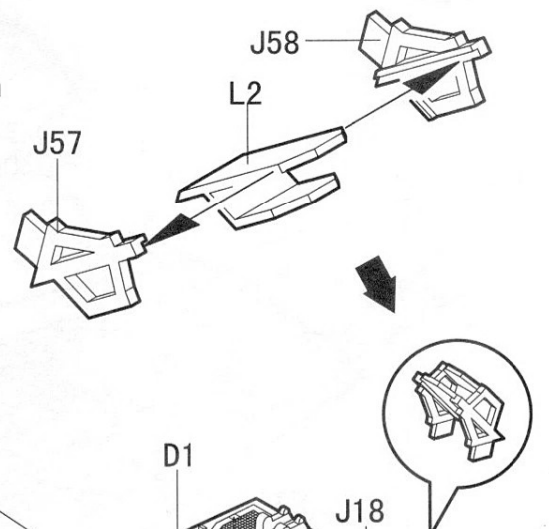
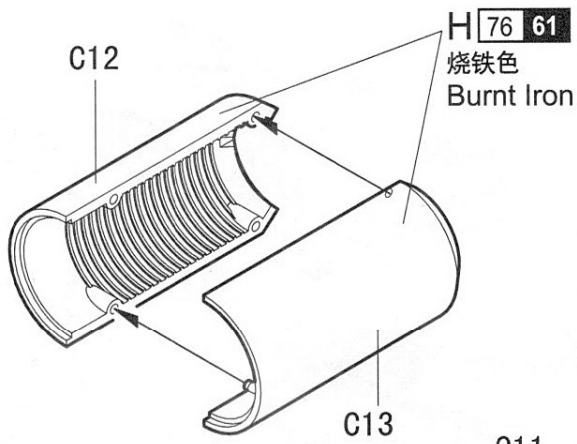
**5**  
STEP



**6**  
STEP



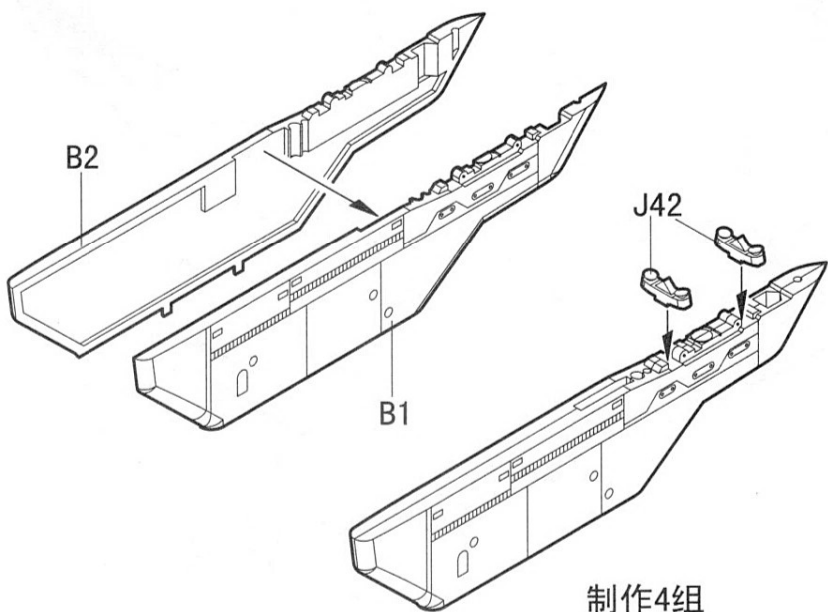
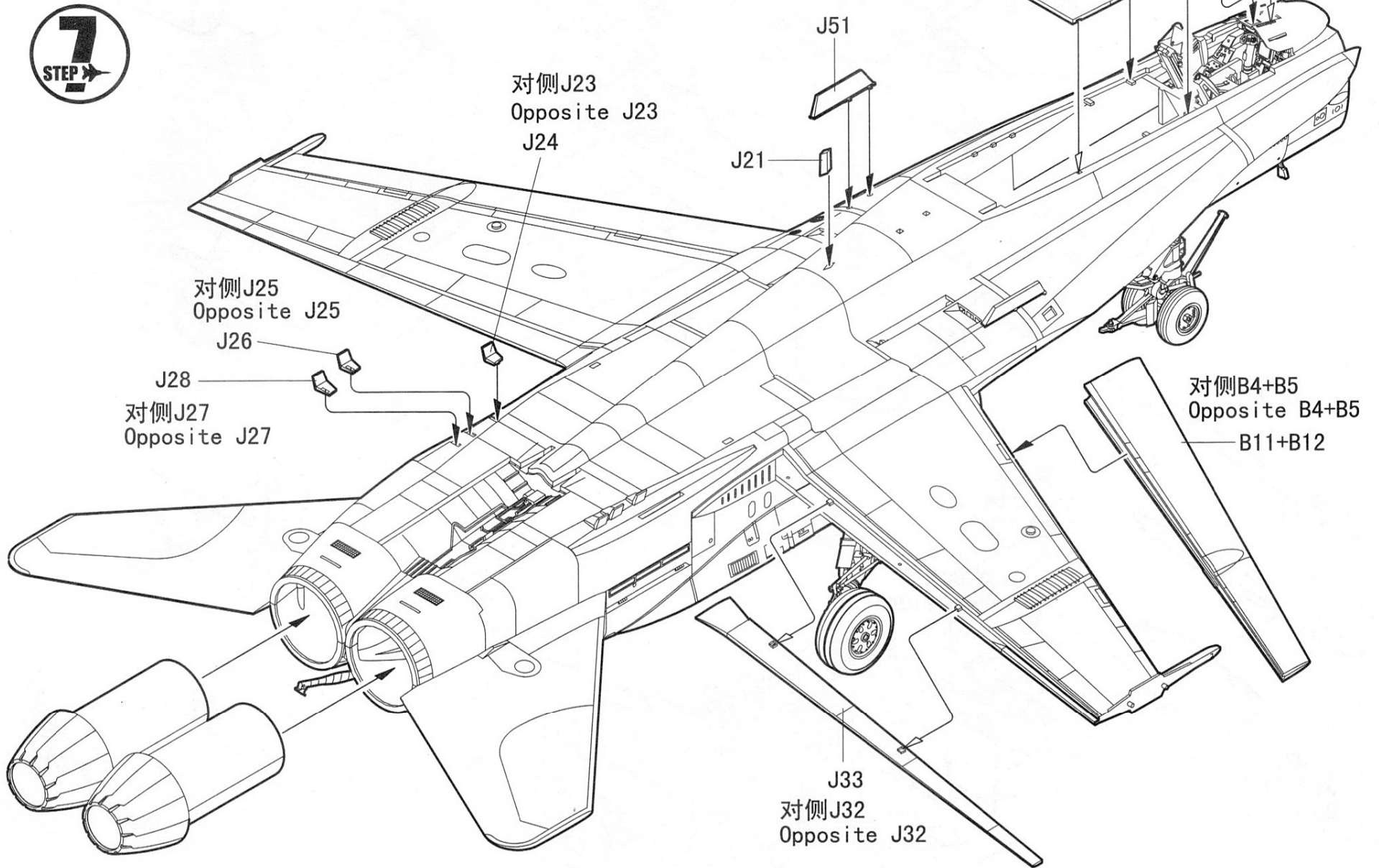




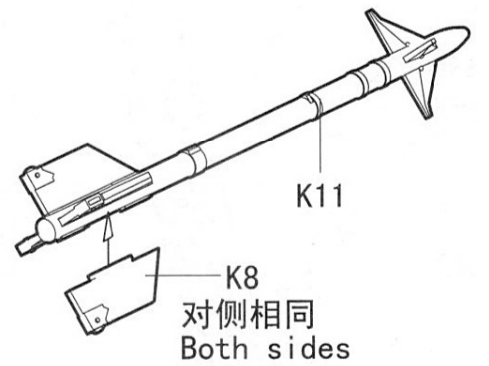
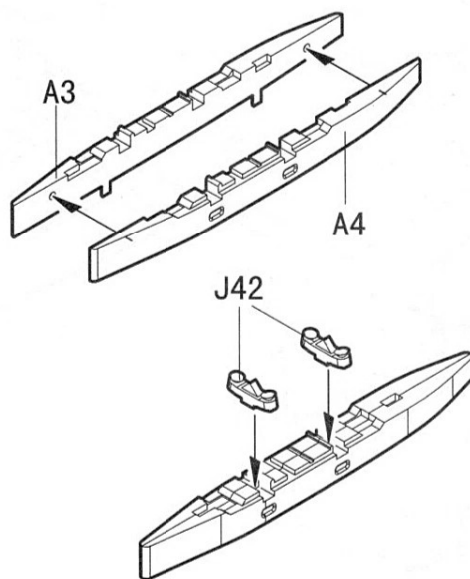
**7**  
STEP

制作2组  
Make two

H 12 33  
消光黑  
Flat black



制作4组  
Make four



制作2组  
Make two



H 316316  
白色  
White Insignia

对侧相同  
Both sides  
J53

对侧C5  
Opposite C5  
C6

H 316316  
白色  
White Insignia

C10 对侧C9  
Opposite C9

G3  
C17  
C23

B7

B8+B10

B3+B14

B15

<<AIM-9L>>

A11

对侧J30  
Opposite J30  
J29

对侧相同  
Both sides  
J37

对侧相同  
Both sides  
J36

J38  
对侧相同  
Both sides

H 316316  
白色  
White Insignia

J48

J45

J46

H 316316  
白色  
White Insignia

A11

<<AIM-9L>>

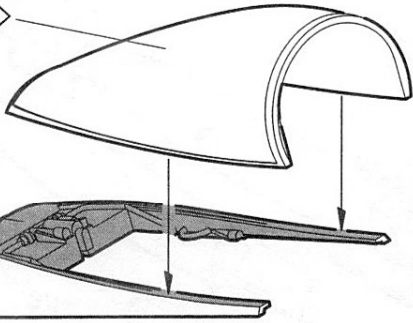




<<座舱盖>>  
Canopy

H 12 33  
消光黑  
Flat black

D3



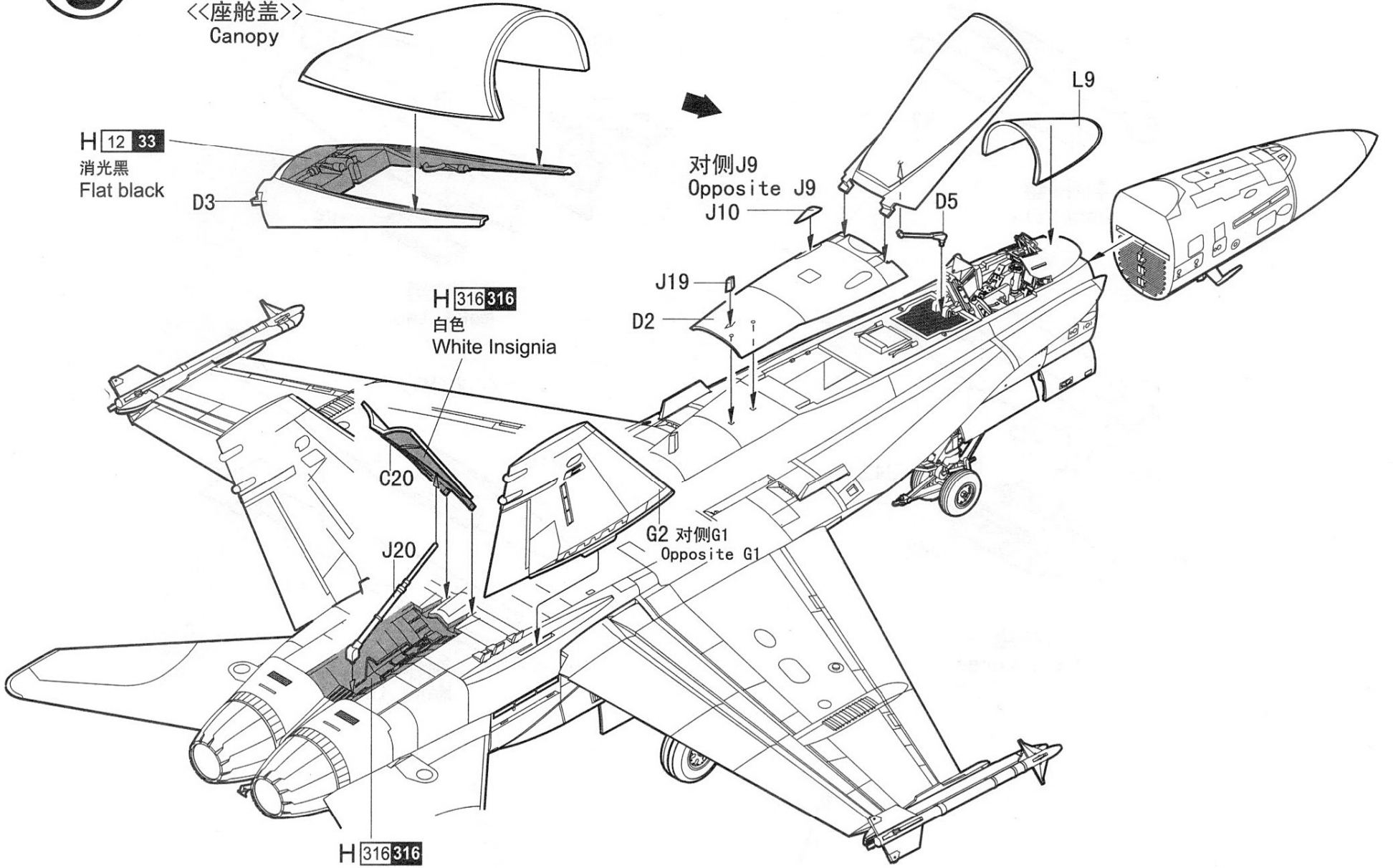
对侧J9  
Opposite J9

J19  
D2

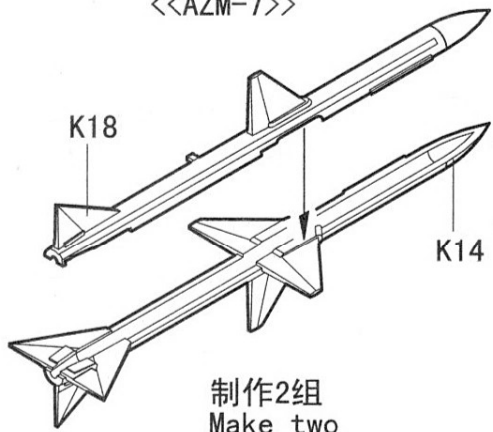
H 316 316  
白色  
White Insignia

G2 对侧G1  
Opposite G1

H 316 316  
白色  
White Insignia

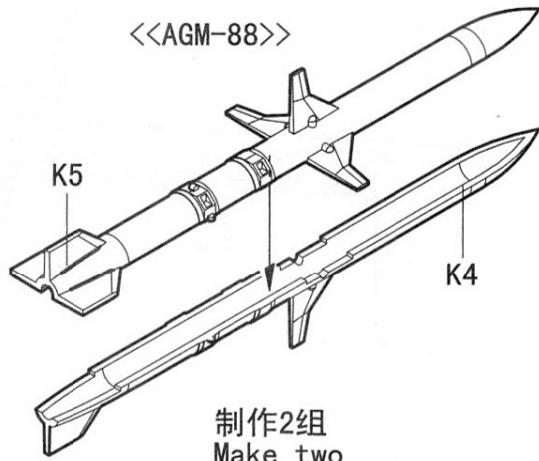


<<AZM-7>>



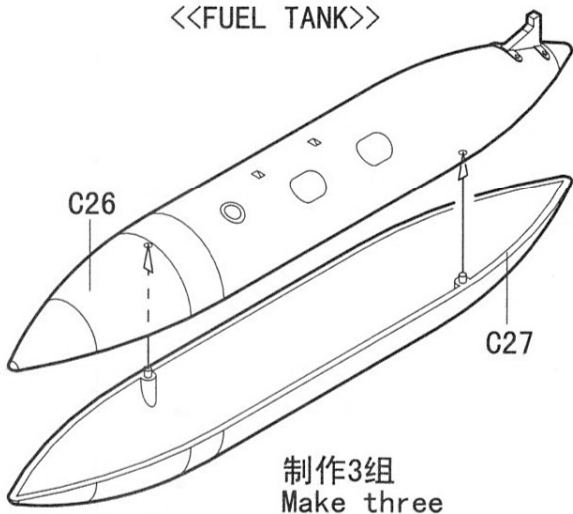
制作2组  
Make two

<<AGM-88>>



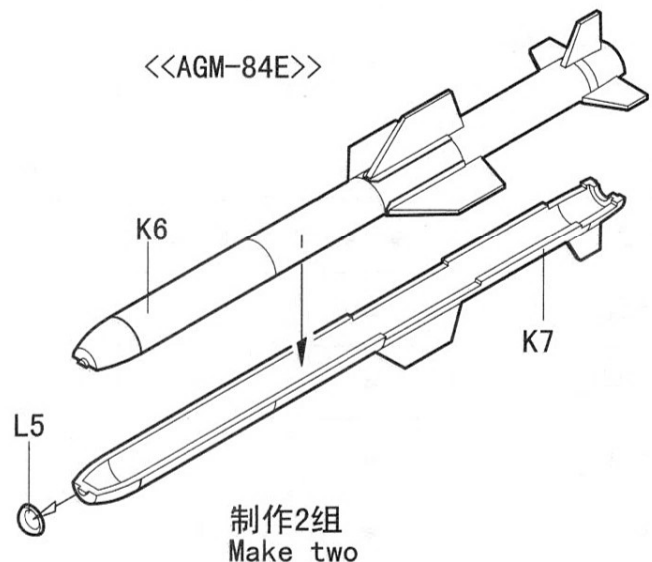
制作2组  
Make two

<<FUEL TANK>>



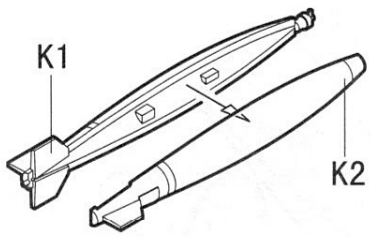
制作3组  
Make three

<<AGM-84E>>



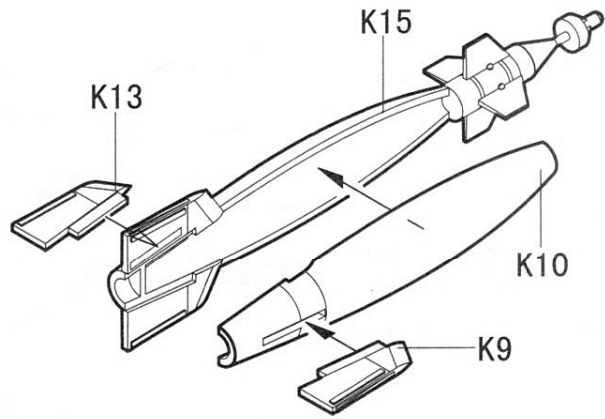
制作2组  
Make two

<<MK-82>>

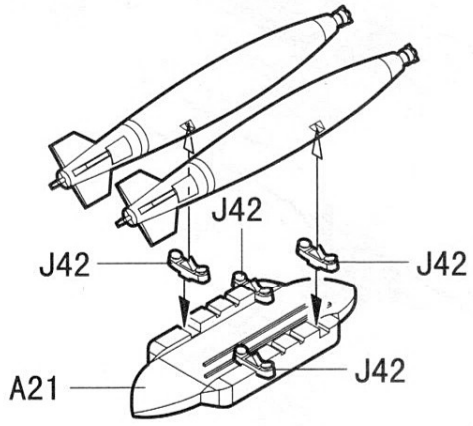


制作6组  
Make six

<<GBU-10>>

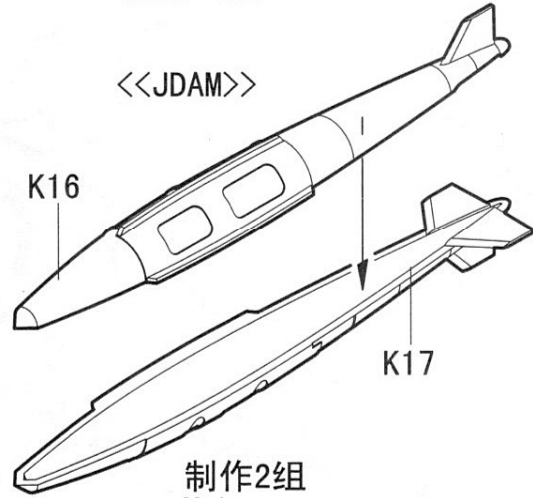


制作2组  
Make two

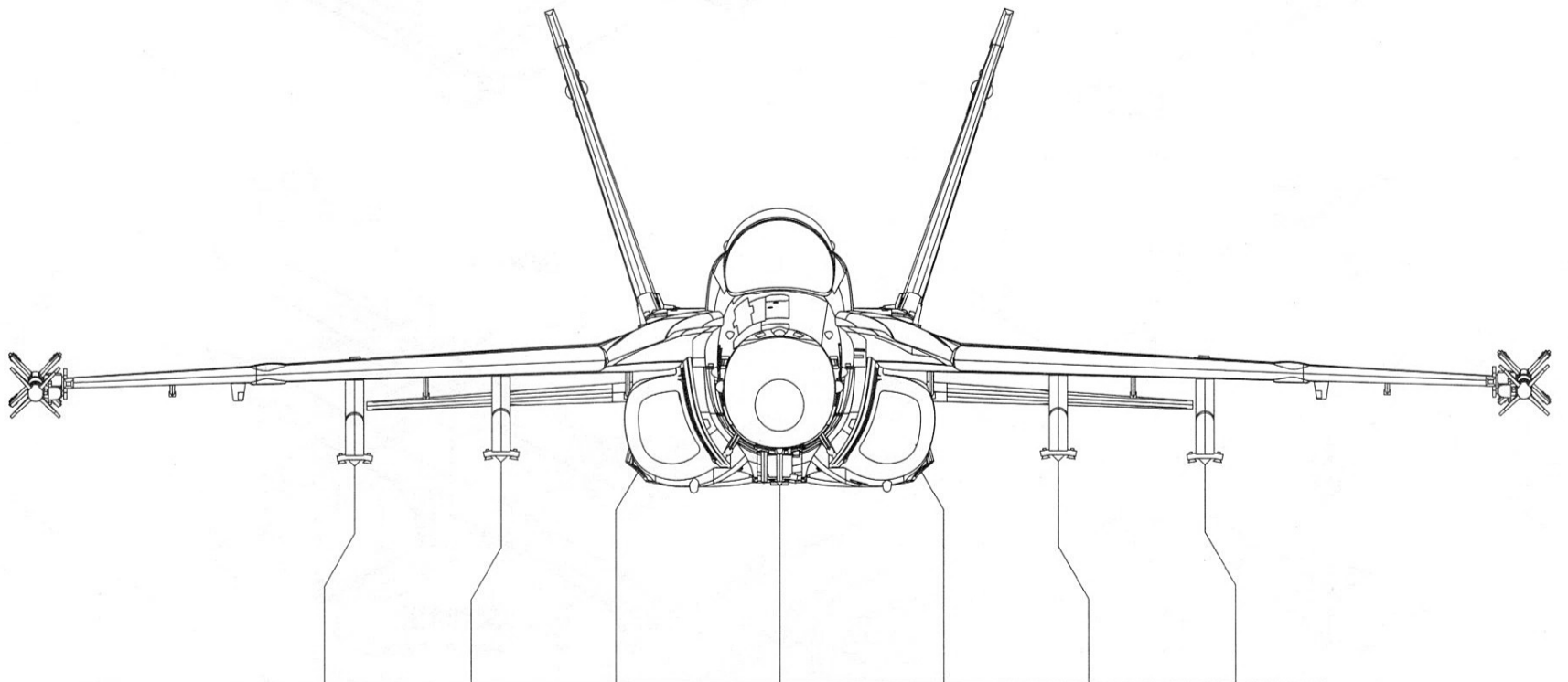


制作3组  
Make three

<<JDAM>>



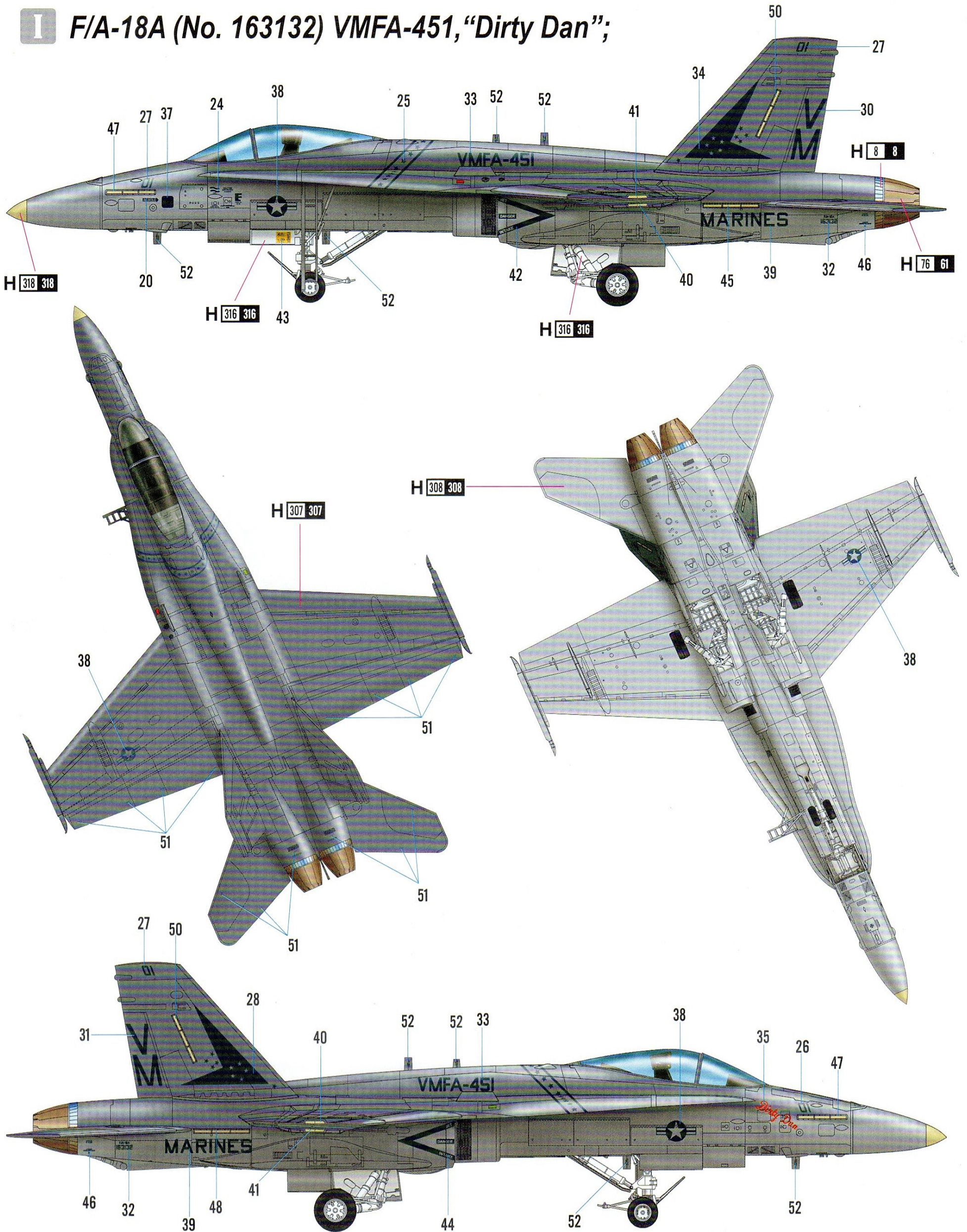
制作2组  
Make two



Sta. No.	1	2	3	4	5	6	7
Missile/Tank							
AIM-7			•		•		
MK-82	• •	• •				• •	• •
AGM-88	•	•				•	•
AGM-84E	•	•				•	•
GBU-10	•	•				•	•
JDAM	•	•				•	•
FUEL TANK	•	•		•		•	•



I F/A-18A (No. 163132) VMFA-451, "Dirty Dan";



使用Mr.HOBBY涂料  
Mr. Color used

- 8 AQUEOUS HOBBY COLOUR
- 8 MR.COLOUR

H 307 307

Dark Compass  
Ghost Grey

H 308 308

Gray

H 316 316

White Insignia

H 318 318

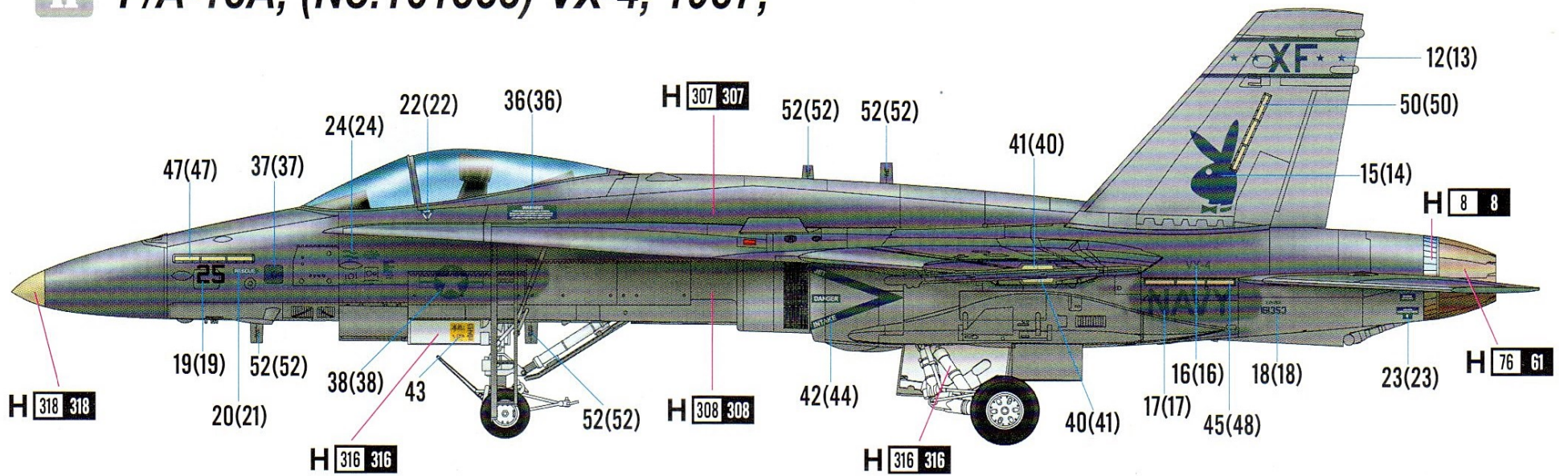
Radome

NO.:80320

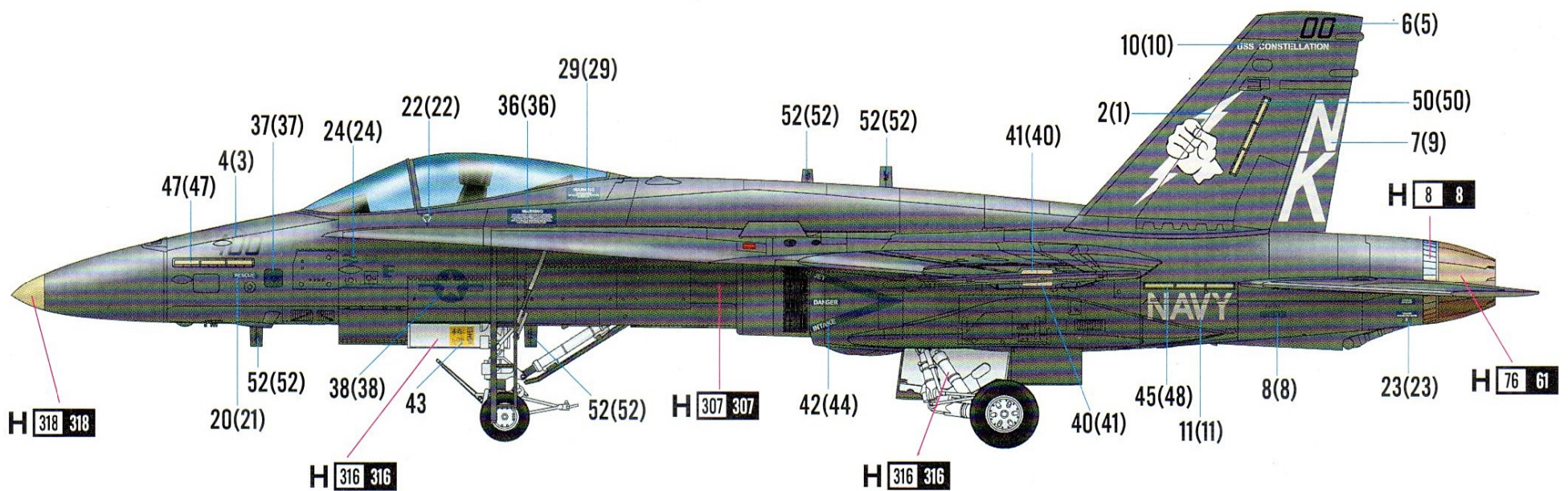
※ Some paints may not be available in your country. Please check your local hobby shop for substitute



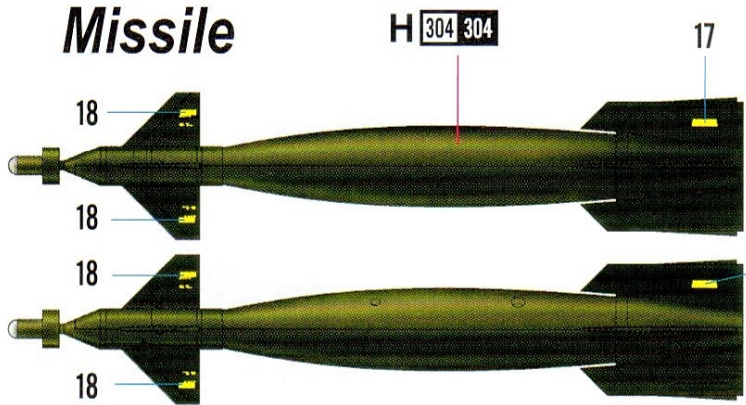
## II F/A-18A, (No.161353) VX-4, 1987;



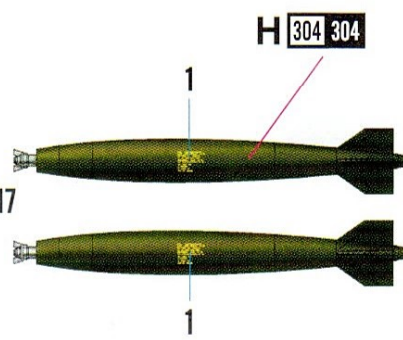
## III F/A-18A, (No.161939) VFA-25, 1984;



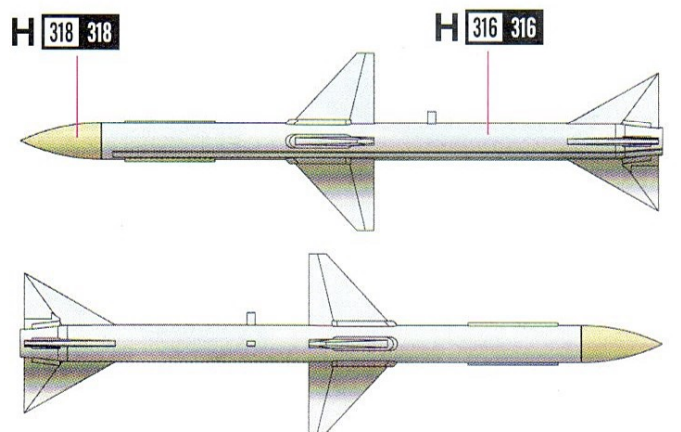
### Missile



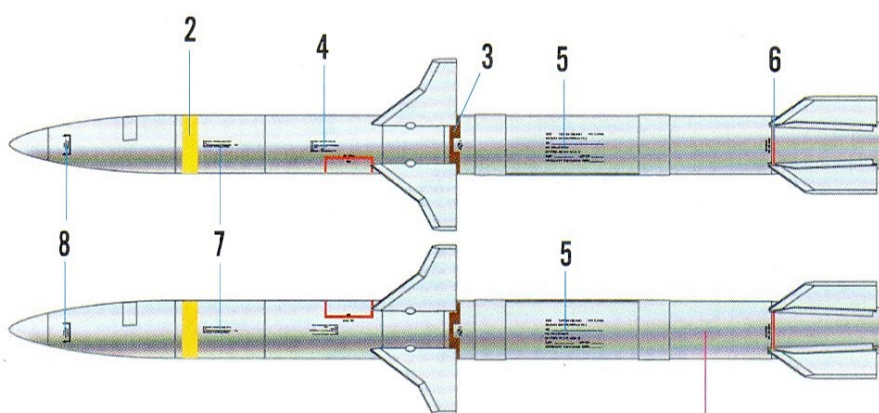
GBU-10 X 2



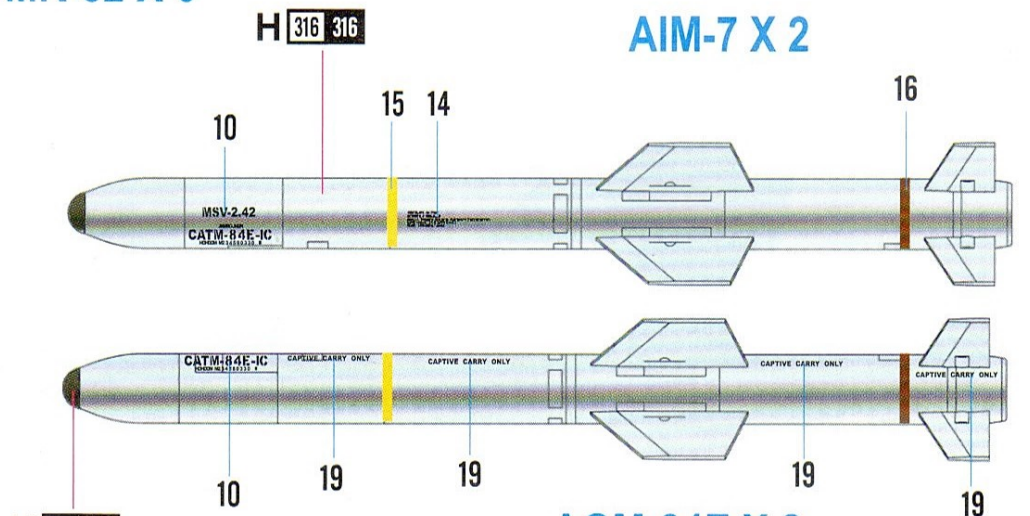
MK-82 X 6



AIM-7 X 2



AGM-88 X 2



AGM-84E X 2

H 307 307

H 308 308

H 304 304

H 316 316

H 318 318

Dark Compass  
Ghost Grey

Gray

Olive Drab

White Insignia

Radome

使用Mr.HOBBY涂料

Mr. Color used

8 AQUEOUS HOBBY COLOUR

8 MR.COLOUR