

Douglas TBD DEVASTATOR

Plastic model

scale : 1/72

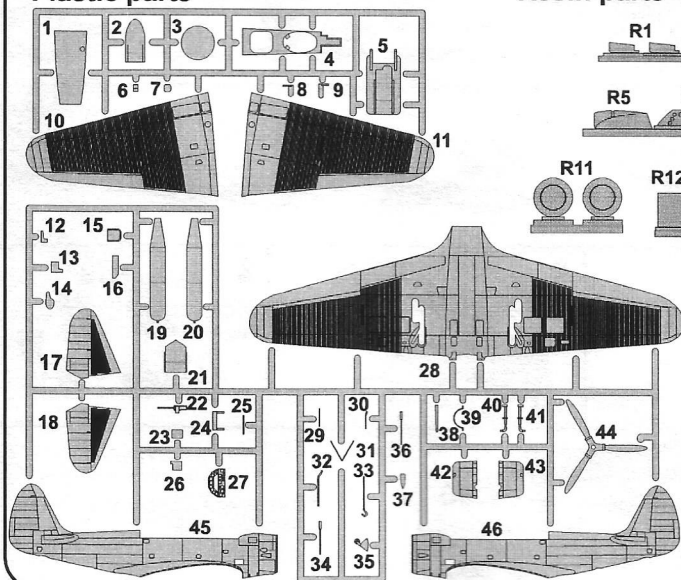
History note

The Douglas TBD Devastator was a torpedo bomber of the United States Navy, ordered in 1934, first flying in 1935 and entering service in 1937. At that point, it was the most advanced aircraft flying for the USN and possibly for any navy in the world. However, the fast pace of aircraft development caught up with it, and by the time of the Japanese attack on Pearl Harbor the TBD was already outdated.

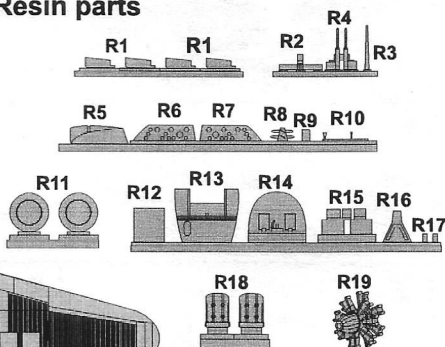
It performed well in some early battles, but in the Battle of Midway the Devastators launched against the Japanese fleet were almost totally wiped out.

The type was immediately withdrawn from front line service, replaced by the Grumman TBF Avenger.

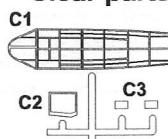
Plastic parts



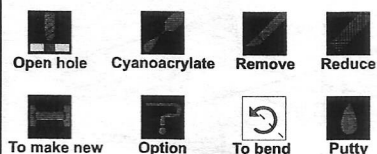
Resin parts



Clear parts



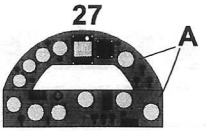
Symbols



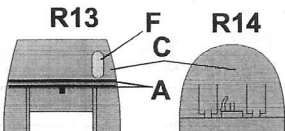
	Colour name	Humbrol		Colour name	Humbrol
A	Black	H33	G	Aluminium	H56
B	White	H34	H	Silver	H11
C	Interior Green	H78	I	Gunmetal	H53
D	Zinc Chromate	H53	J	Red	H132
E	Brown	H186	K	Tyre	H85
F	Yellow	H24	L	Rust	H113

Assembly instructions

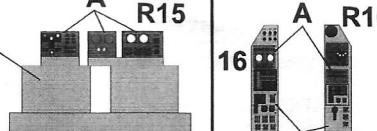
1



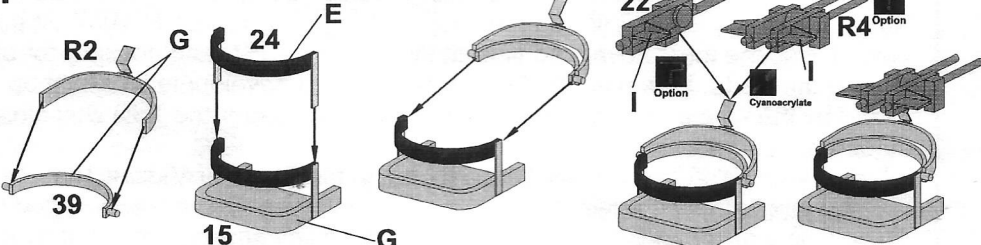
2



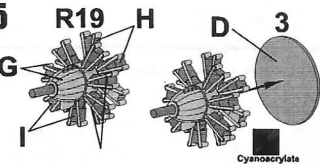
3



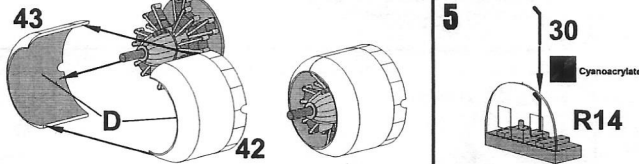
4



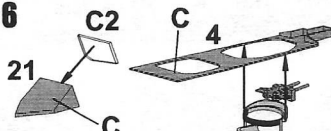
5



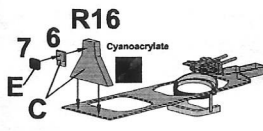
5



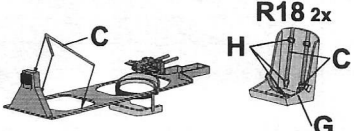
6



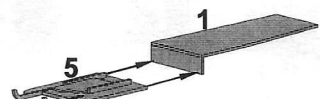
6




6




7



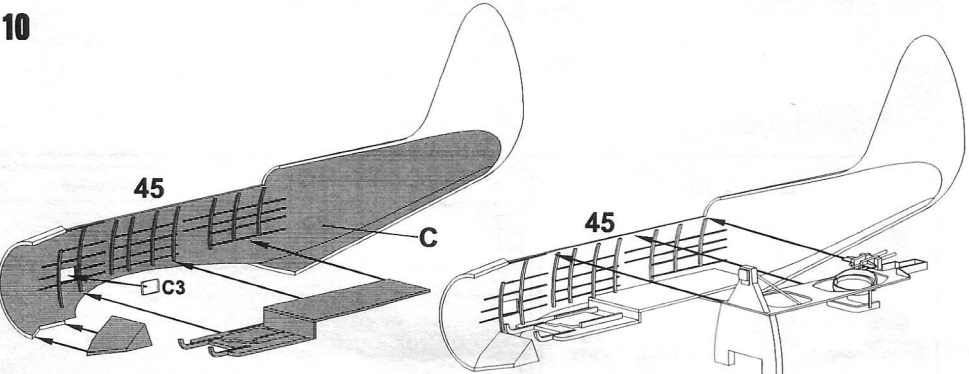
8



9

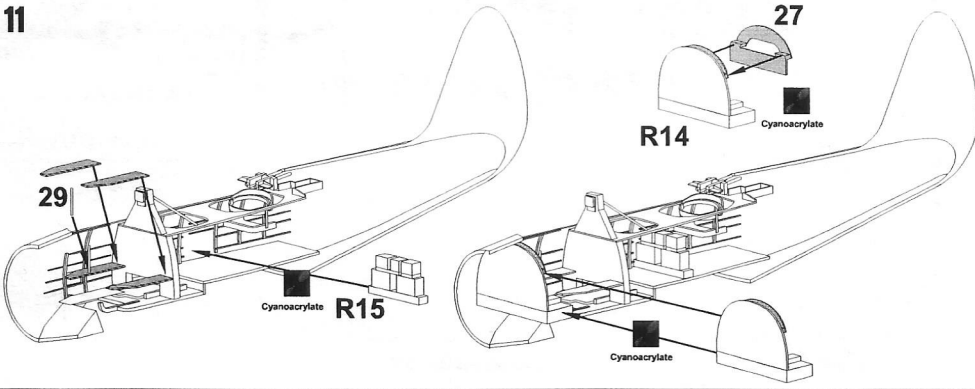


10

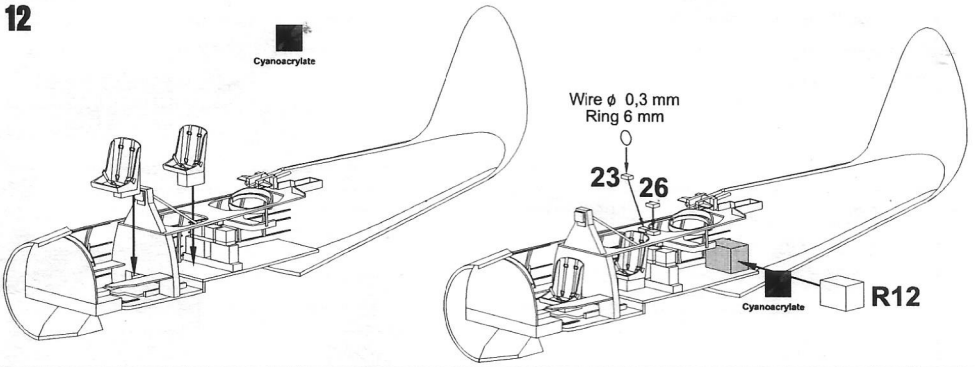


Assembly instructions

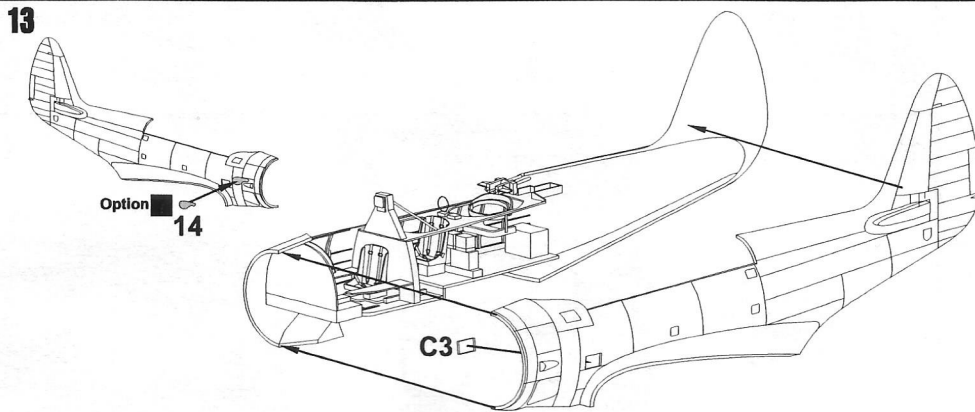
11



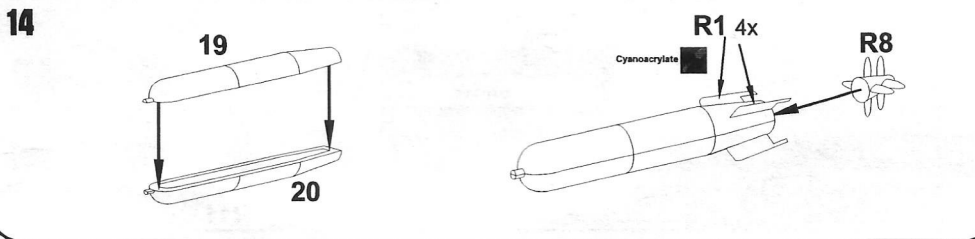
12



13

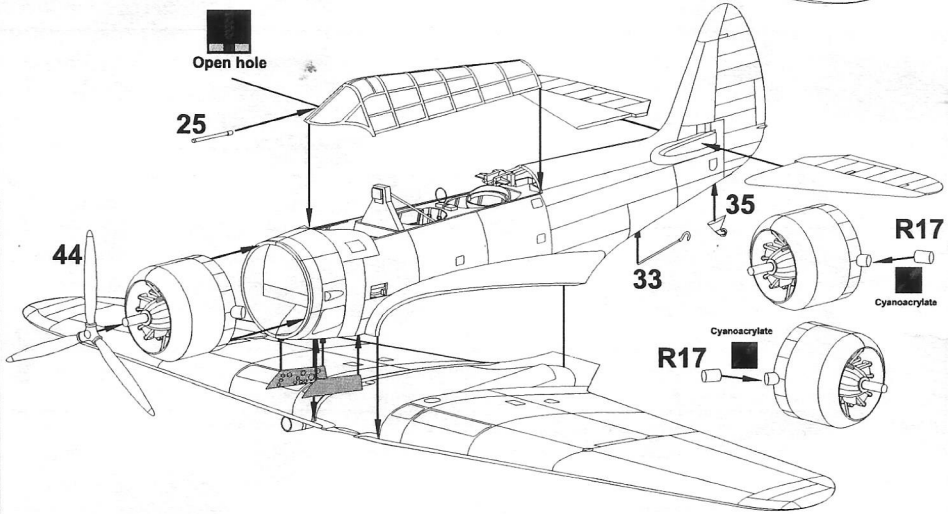
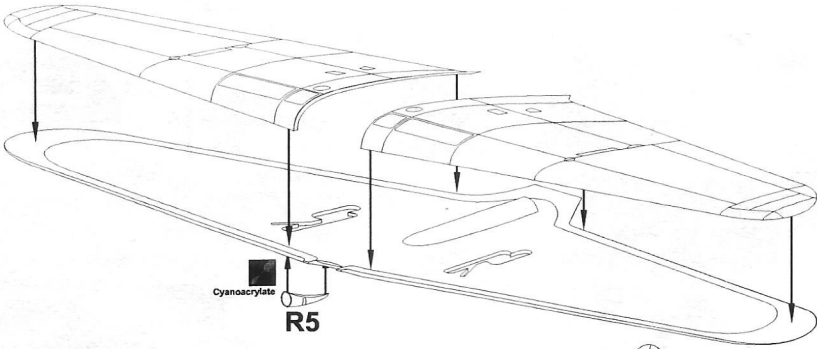


14



Assembly instructions

15



16

