

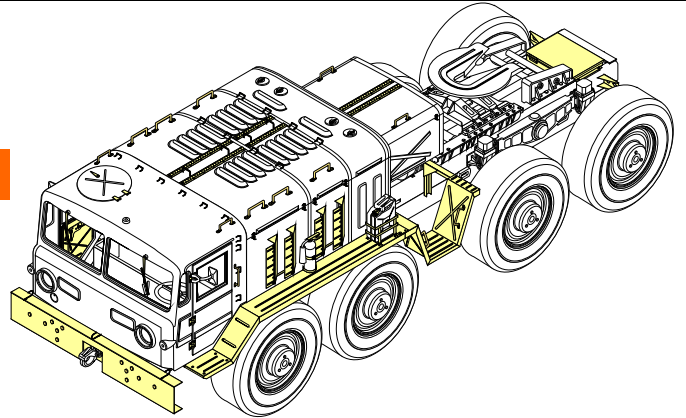
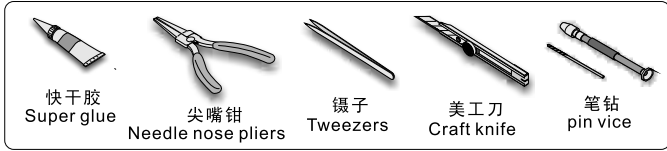
1/35 MILITARY MINIATURE VEHICLE UPGRADE SERIES PE35277

# Russia MAZ-537G (Mid Production)

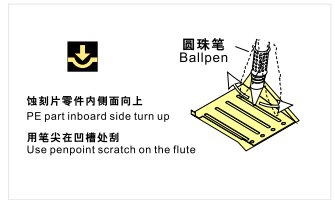
## 俄罗斯MAZ537G拖车头 (中期型) 改造件

[For TRUMPETER 00211]

### 推荐使用工具 RECOMMENDED TOOLS



- 安装 install
- 折叠 bend
- A1** 改造件零件编号 PE/resin part number
- B12** 原零件编号 kit part number
- C22** 被替换的原零件编号 replaced kit part number
- x2** 制作若干组 multiple assembly
- 弧度卷曲 radial bending
- 选择安装 alternative
- 切除 remove
- 钻孔 drill
- 注意 caution
- 另一侧相同制作 repeat on opposite side
- 用尖端在凹槽处冲压 use penpoint to press on the dent
- 打磨 grind off
- 填补 fill
- 用铜管制作 make from brass tube
- 用胶棒制作 make from plastic rod

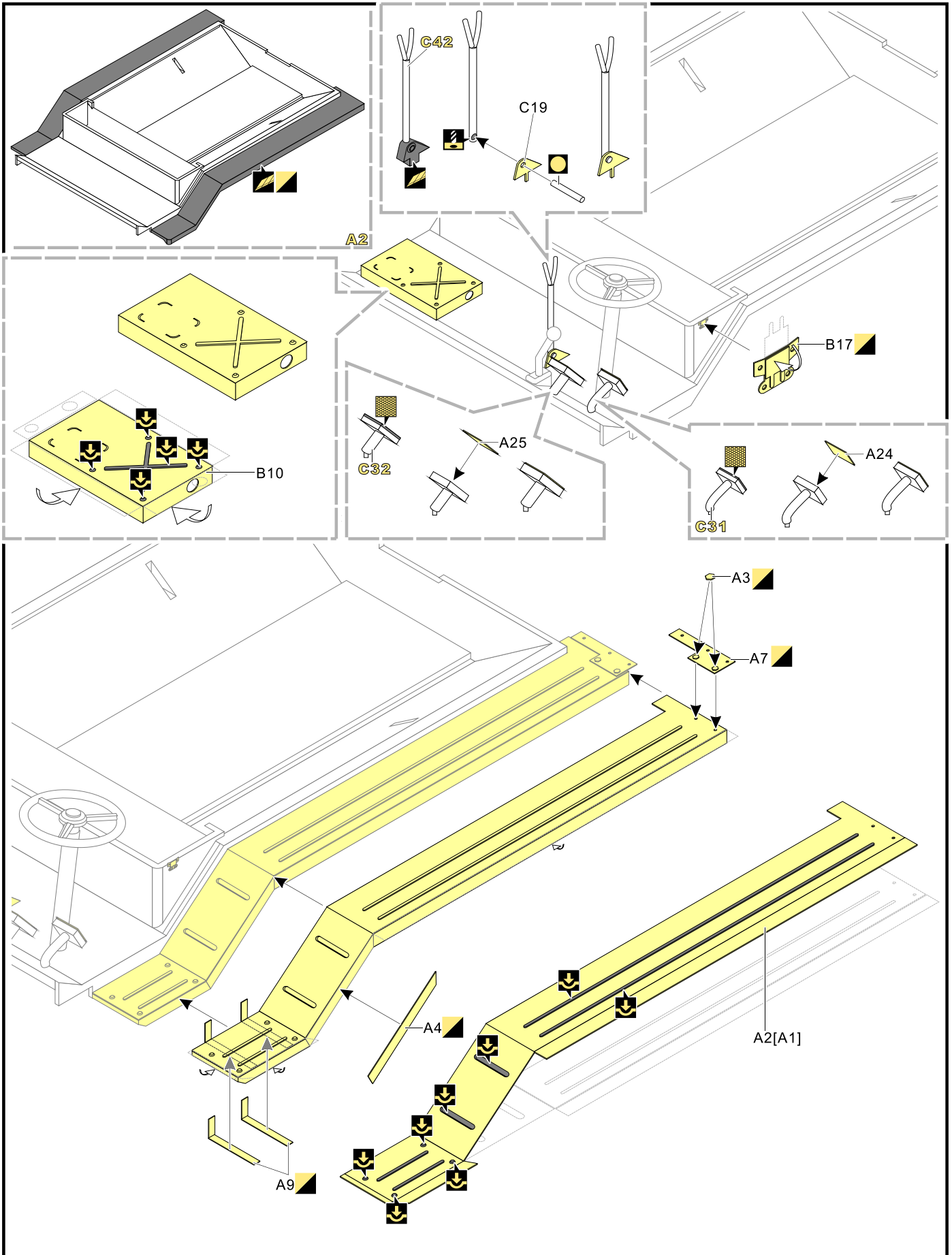


推荐使用PE35278俄罗斯MAZ-537G拖车头 (后期型) 改造件  
We suggest use Pe35278 Russia MAZ-537G (Late Production).

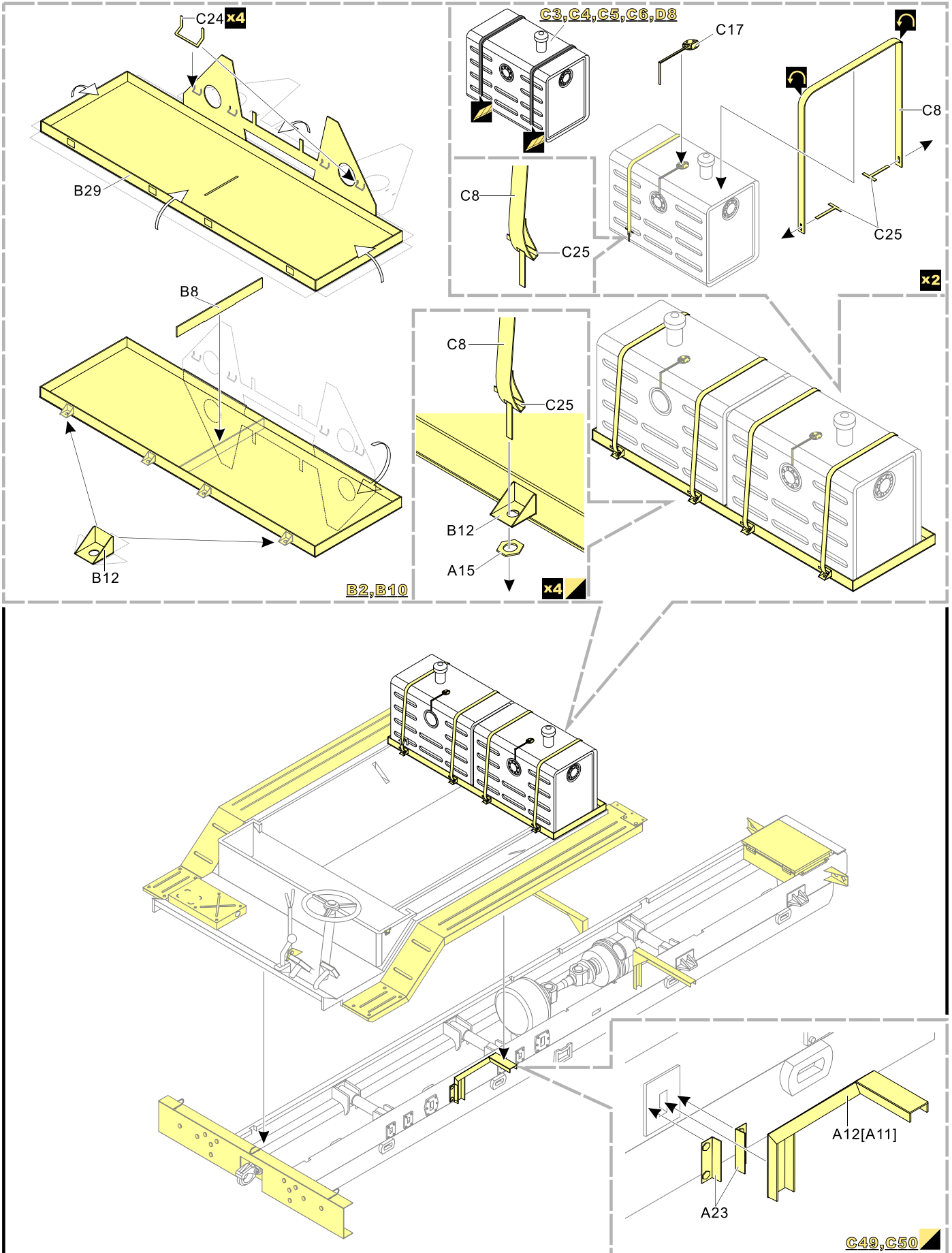
推荐使用PE35279俄罗斯MAZ/ChMZAP-5247G拖板改造件进一步升级  
We suggest use Pe35279 Russia MAZ/ChMZAP-5247G for further upgrade.



1/35 MILITARY MINIATURE VEHICLE UPGRADE SERIES PE35277

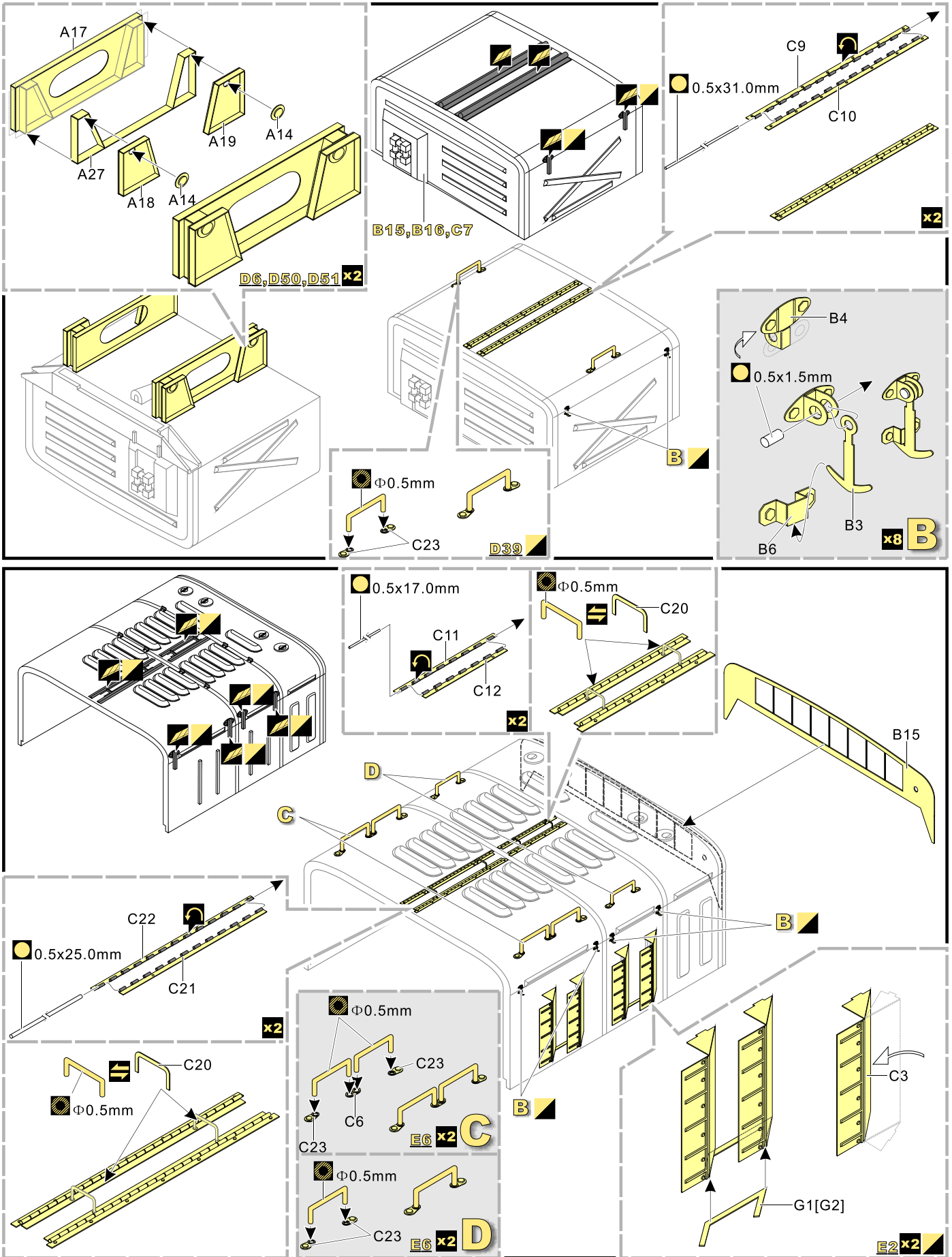


1/35 MILITARY MINIATURE VEHICLE UPGRADE SERIES PE35277





1/35 MILITARY MINIATURE VEHICLE UPGRADE SERIES PE35277



1/35 MILITARY MINIATURE VEHICLE UPGRADE SERIES PE35277

