

苏联D-30 122毫米榴弹炮-早期型

Soviet D-30 122mm Howitzer - Early Version

READ BEFORE ASSEMBLY:

- Study and understand these instructions thoroughly before beginning assembly
- When needed, remove photo-etch parts carefully using a modeling knife or photo etch sprue cutter, being careful not to damage or lose small parts.
- Take extra care in handling photo etch parts in order to avoid injury
- Apply instant cement sparingly to photo etch parts where instructed
- Tools recommended(not included in kit):Plastic and instant cements, sprue cutters,long nose pliers,modeling knife, small files, tweezers, pin vise & scissors. Soft cloth and sandpaper will also assist in construction
- Glue and paint are not included in the kit. Use plastic cement and hobby paints only. Color guide for purchasing paint is included in the kit.

装配之前仔细阅读

- 小心用模型锉刀锉平所有零件表面的注射浇口。
- 小心用刀片切下蚀刻片零件，不要遗失小零件。
- 用强力快干胶水粘合蚀刻片零件和金属轴。过量快干胶水使用可能导致可动零件会粘住，小心涂胶。
- 取蚀刻片时应特别注意安全，防止利边划伤手指。
- 某些零件表面需贴水上贴纸，请选择在装配的同时进行。
- 推荐模型工具(自备)：胶水，水口剪刀，长咀钳，刀片，锉刀，镊子，钳，钻，剪刀，瞬间快干胶。
- 软布同砂纸同时也应该是必备工具。
- 请使用塑料胶水和油漆，模型内不含。



配重
Weight



使用强力胶
Cyanoacrylate glue



钻孔
Make hole



切除
Cut / Remove



贴纸
Decal



锉平
File / Sand



选择
Option



不涂胶水
No cement



弯曲
Bend

水贴纸的使用:

- 1.从水贴纸上剪下印花;
- 2.将印花放入温水中浸10秒，然后放在干净布上。
- 3.拿着印花纸板将印花移到模型上;
- 4.手指蘸水将印花移到适当的位置;
- 5.用软布轻压印花直至水干，气泡消失

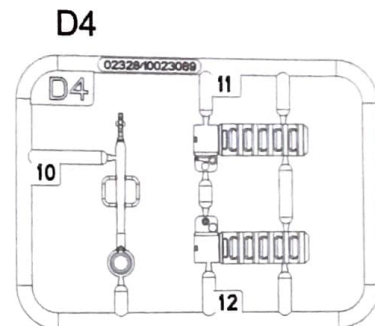
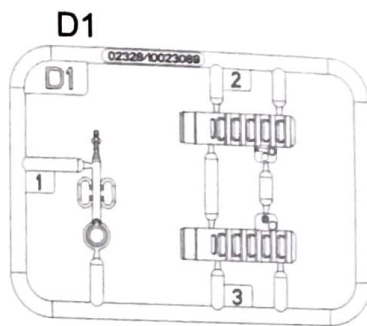
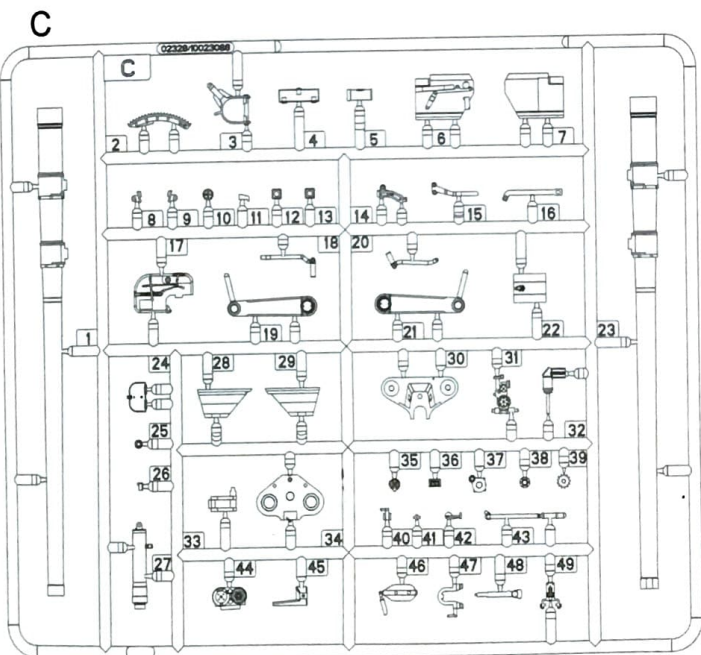
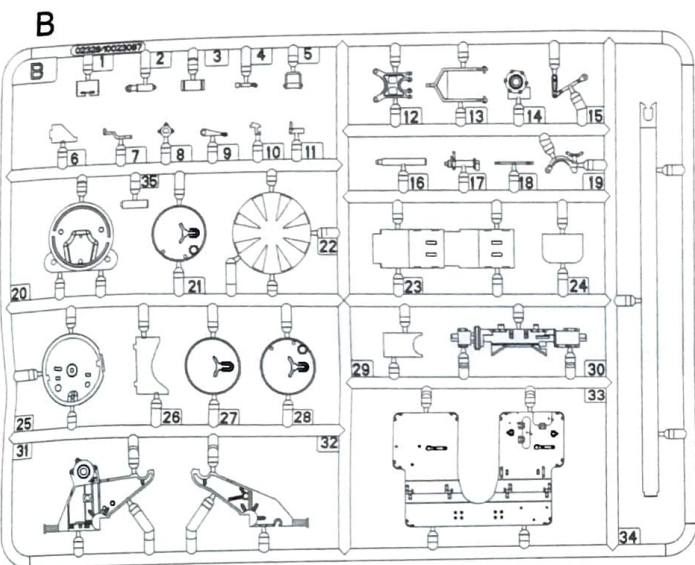
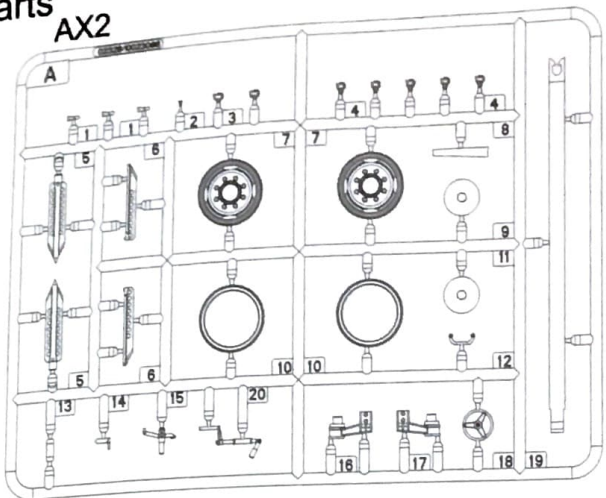
DECAL APPLICATION

- 1.Cut decals from sheet as needed
- 2.Dip the decal in warm water for about 10 seconds and then place on soft clean cloth.
- 3.Hold the decal backing sheet edge and gently slide the decal onto the model in its proper position.

- 4.While still wet,decal can be adjusted for better fit on model by dampening it gently with your finger.
- 5.When placed in the proper position,gently press decal down with a soft cloth until excess water and air bubbles are gone.
- 6.Allow decal to dry completely before handling model

部品图
Parts

AX2



《主架》-A
Frame



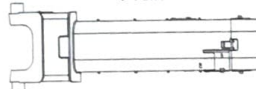
《主架》-B
Frame



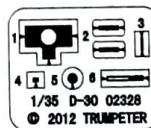
《主架》-C
Frame



《炮架》-D
Frame



《蚀刻片》
PE



《轮胎》 X2
Tyre



《水贴》
Decal

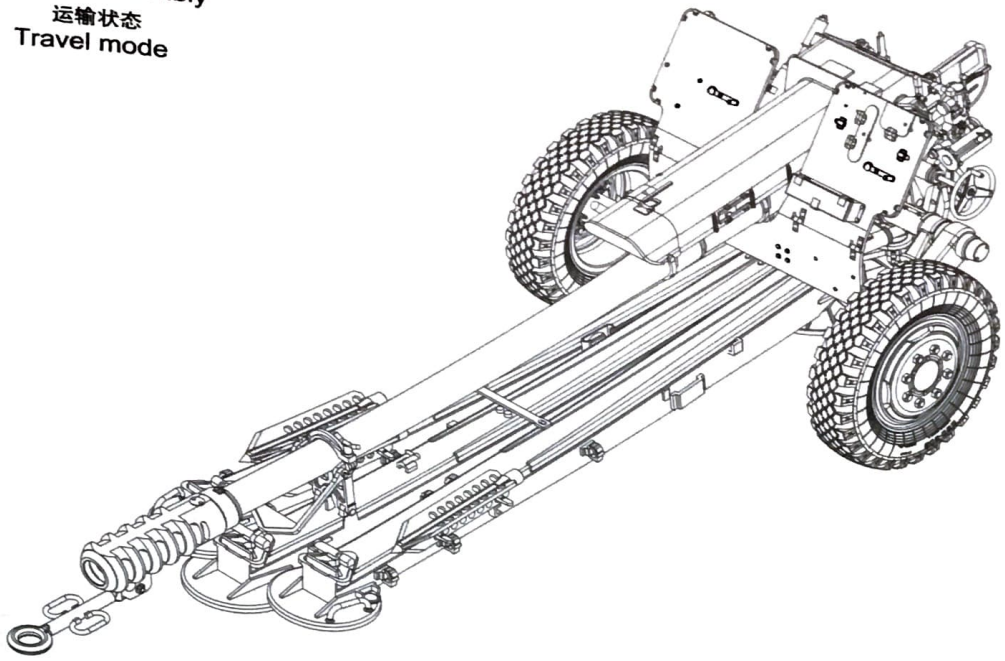


不用部品: A4X2.A5X1.A6X1.A7X2.A10X2.A11X2

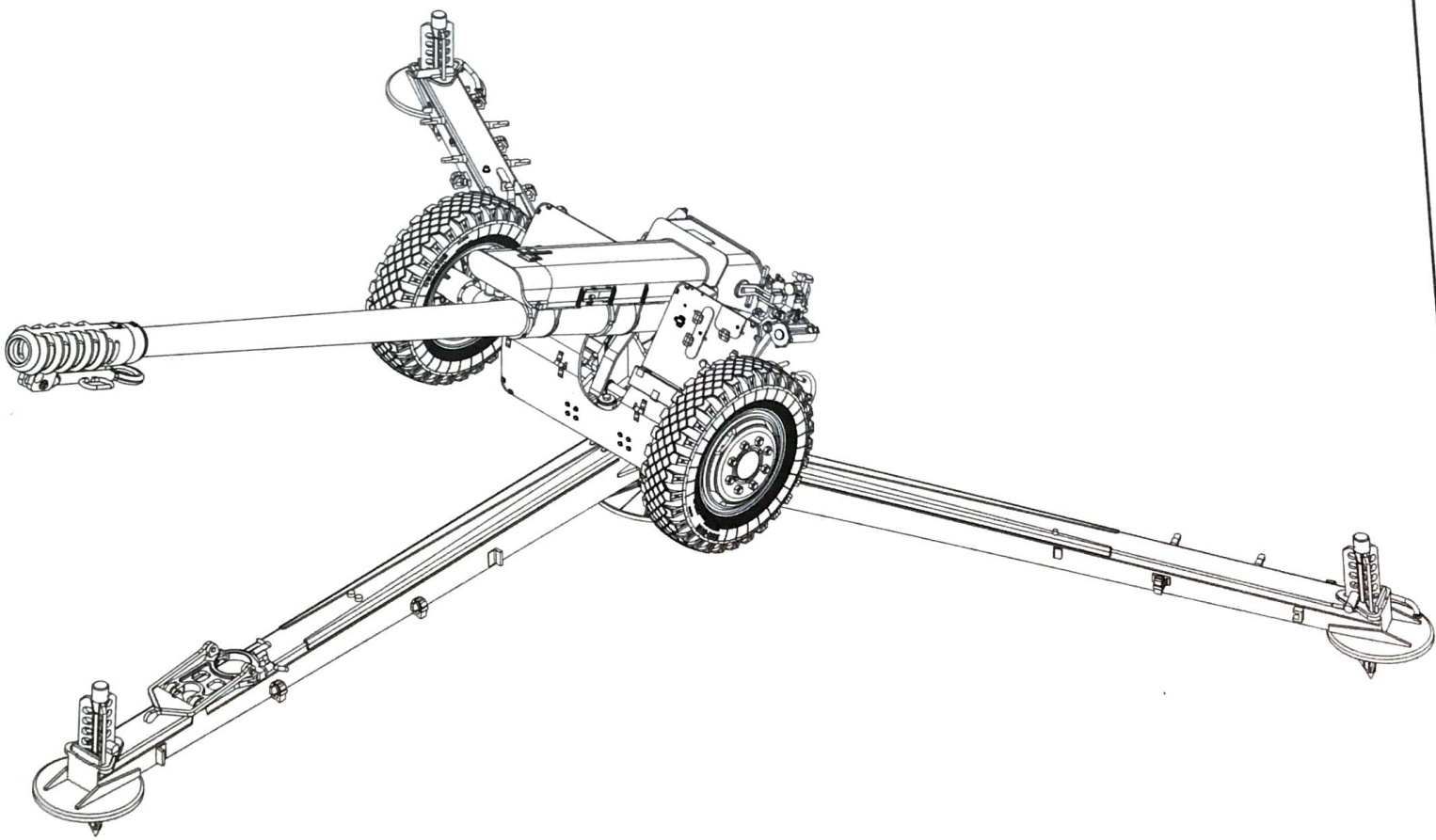
Unused parts:



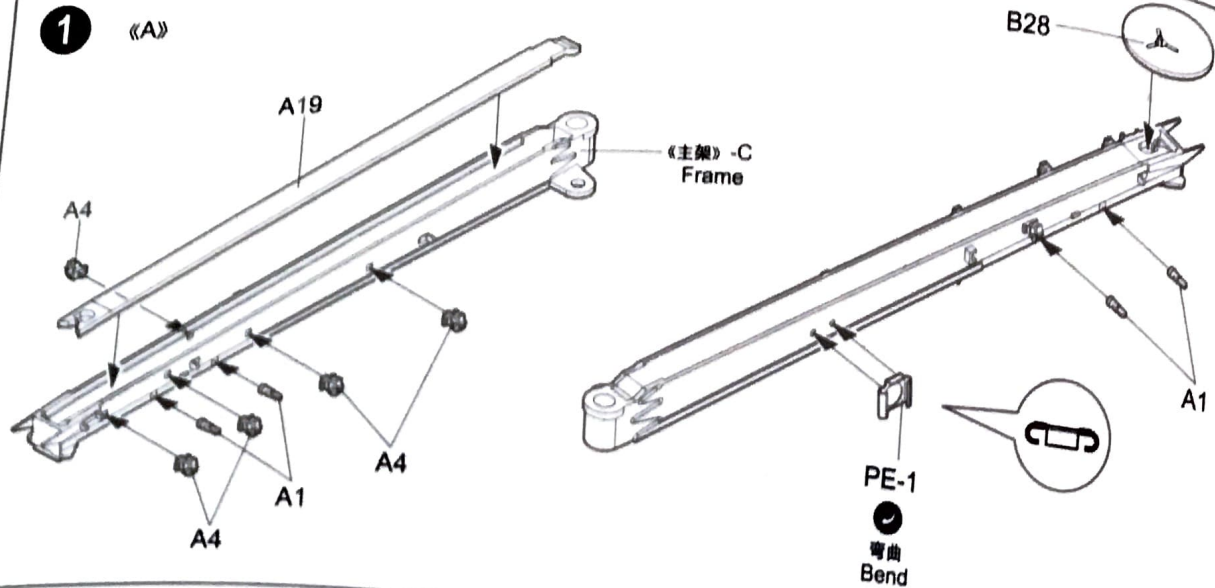
选择组装
Option assembly
运输状态
Travel mode



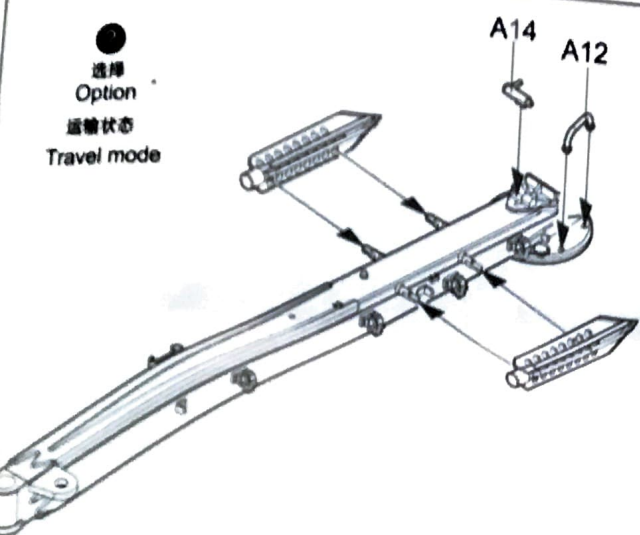
选择组装
Option assembly
作战状态
Combat mode



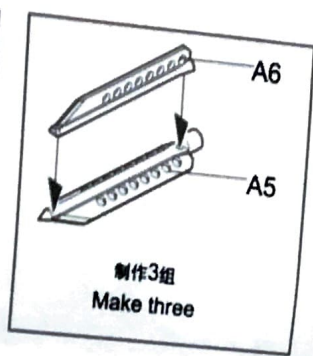
1 《A》



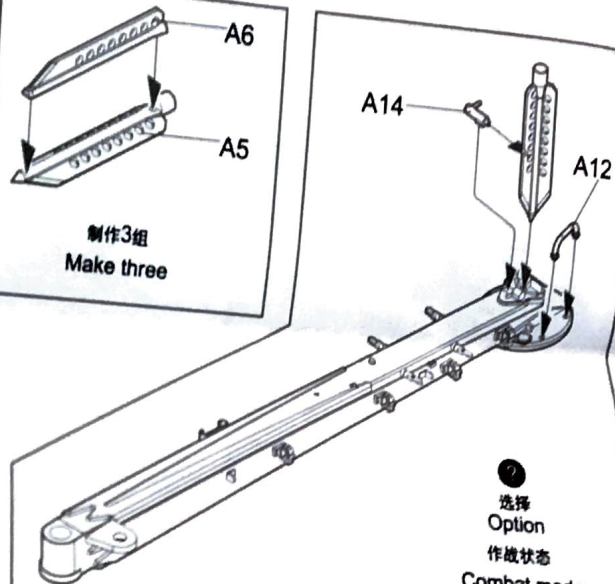
● 选择
Option
运输状态
Travel mode



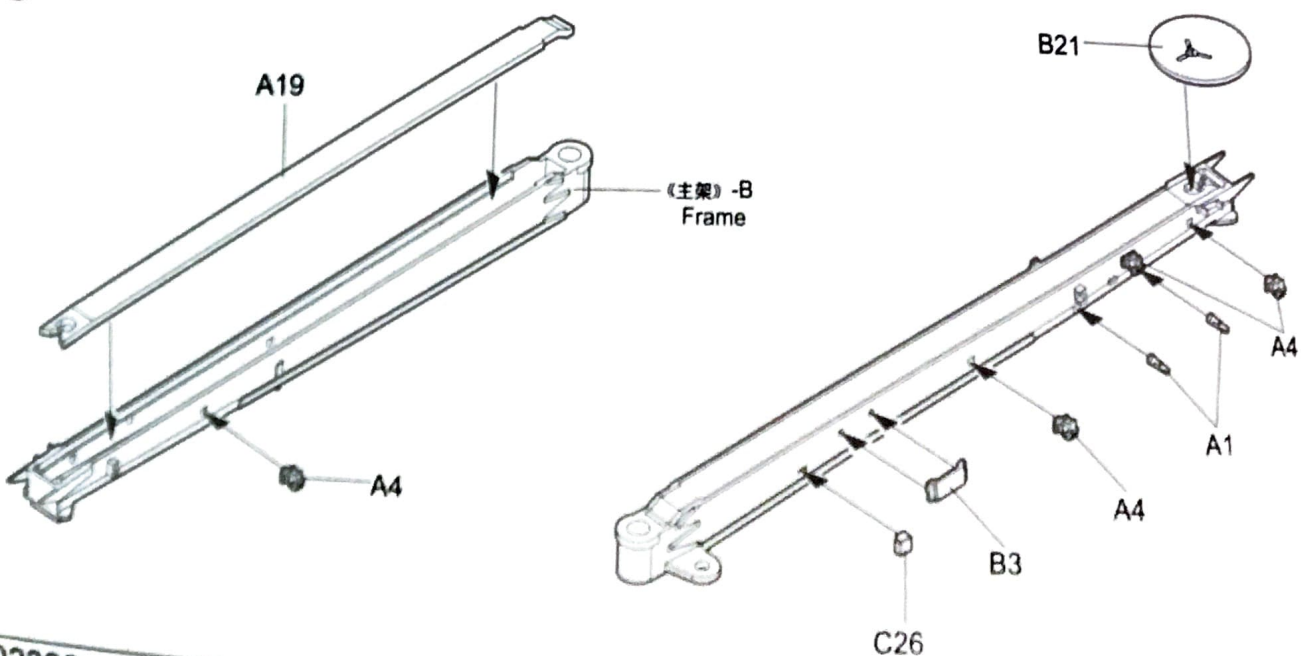
制作3组
Make three



● 选择
Option
作战状态
Combat mode

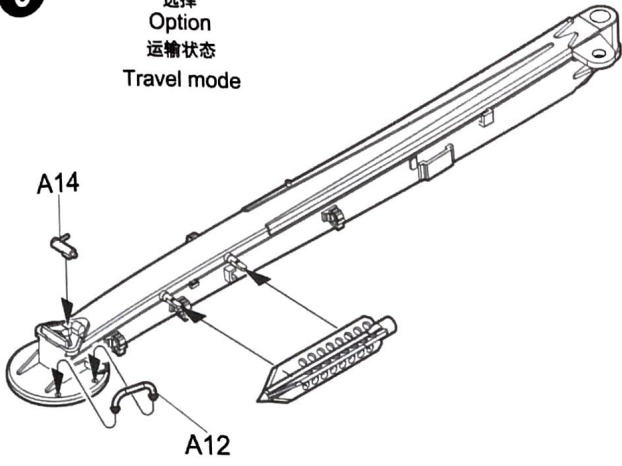


2 《B》

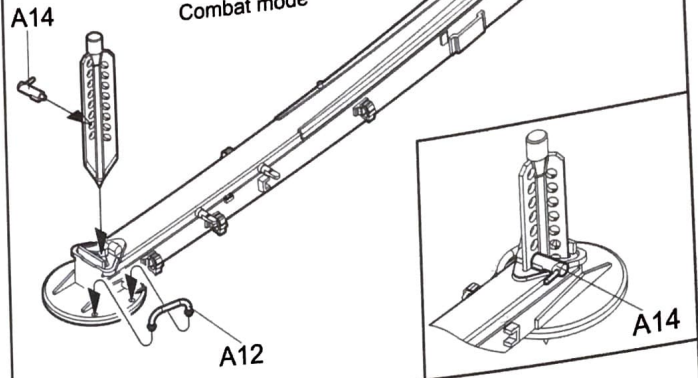


3

选择
Option
运输状态
Travel mode

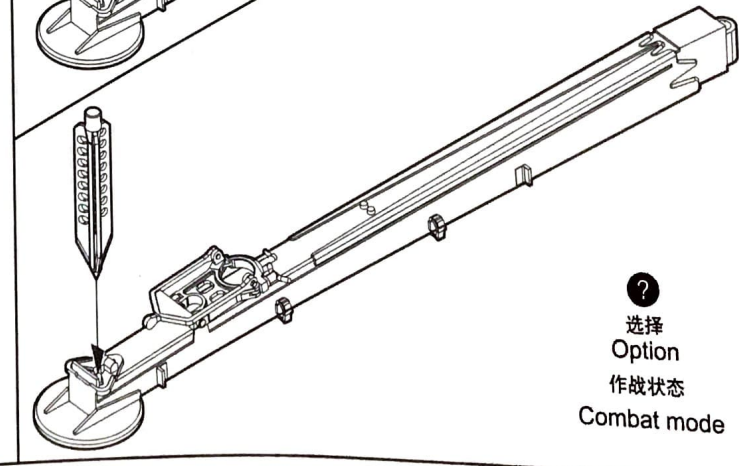
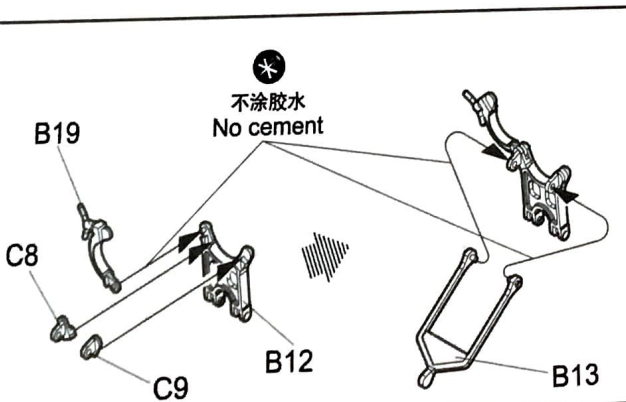
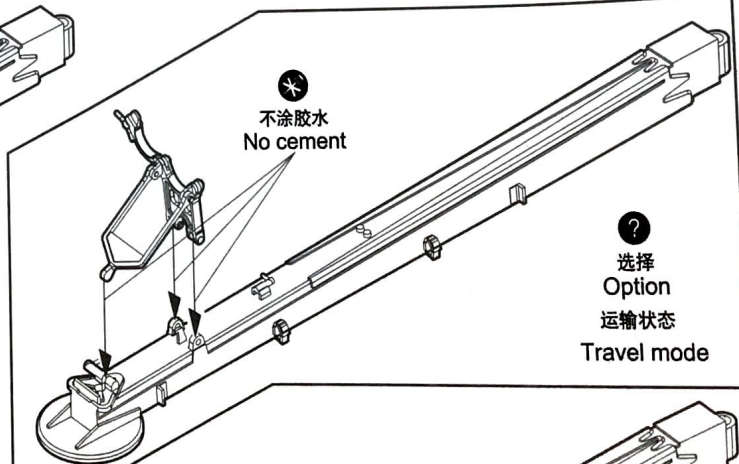
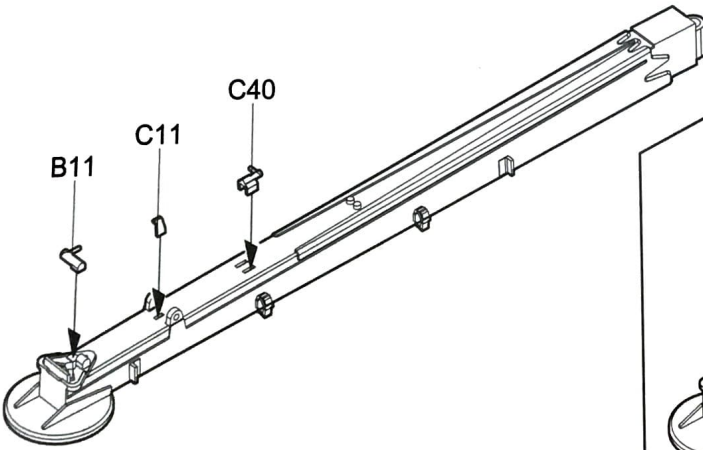
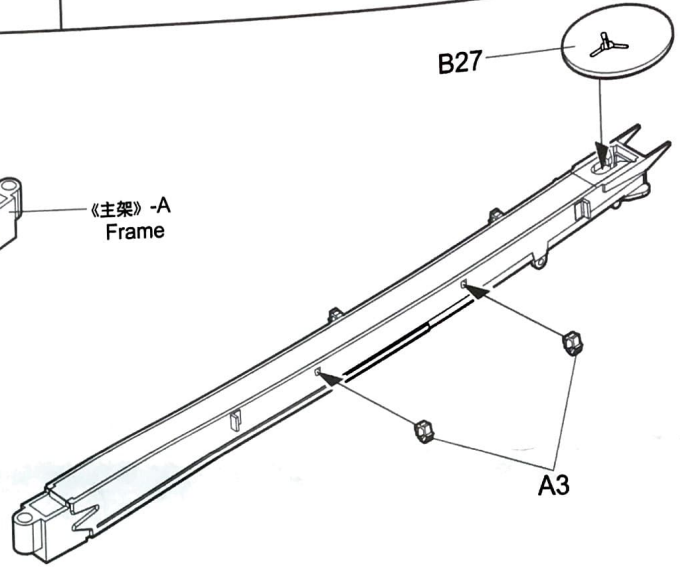
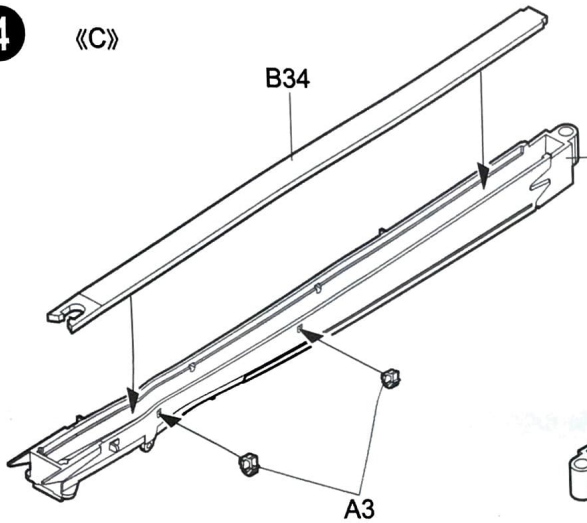


选择
Option
作战状态
Combat mode



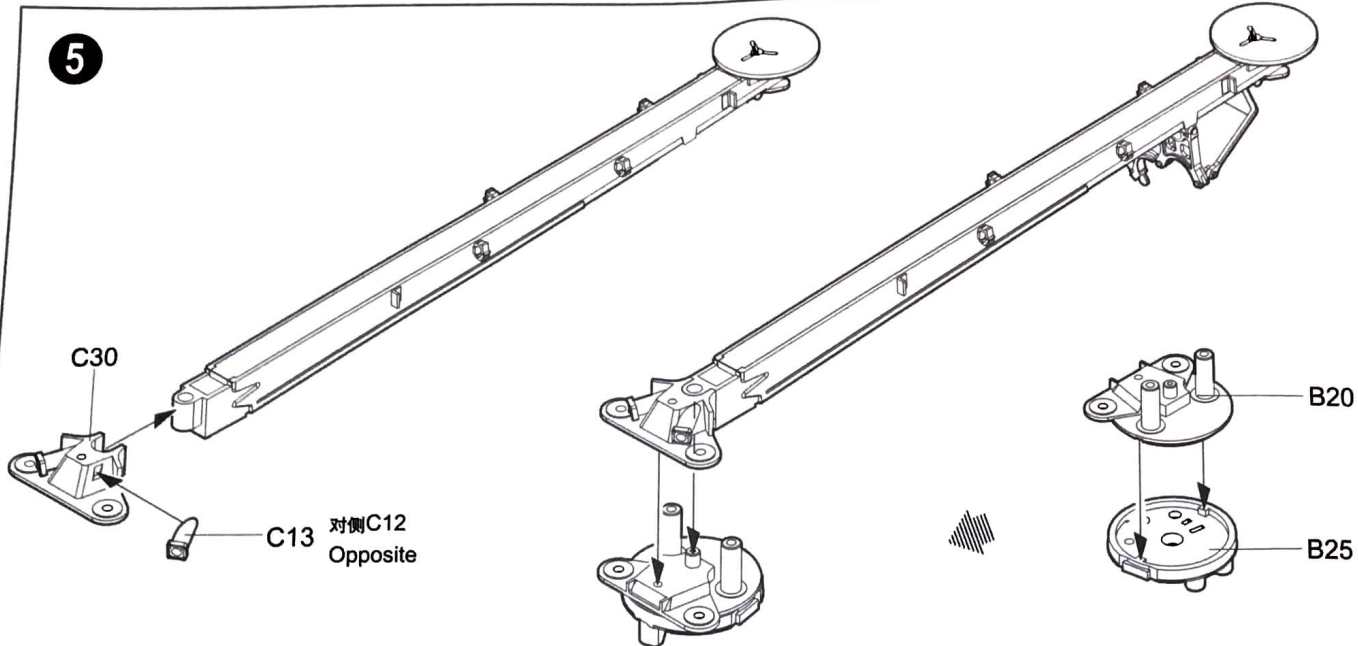
4

《C》



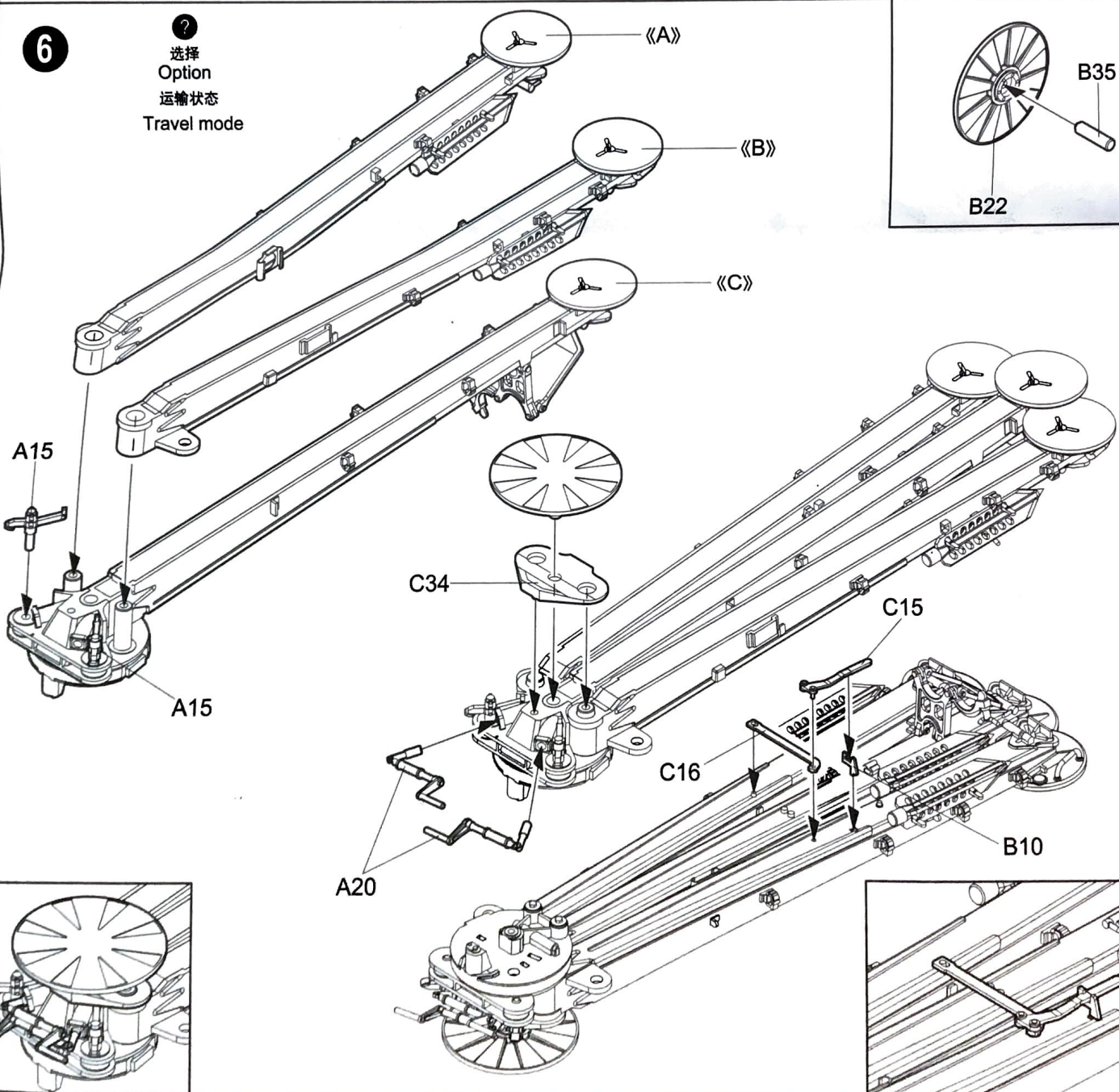
5

5

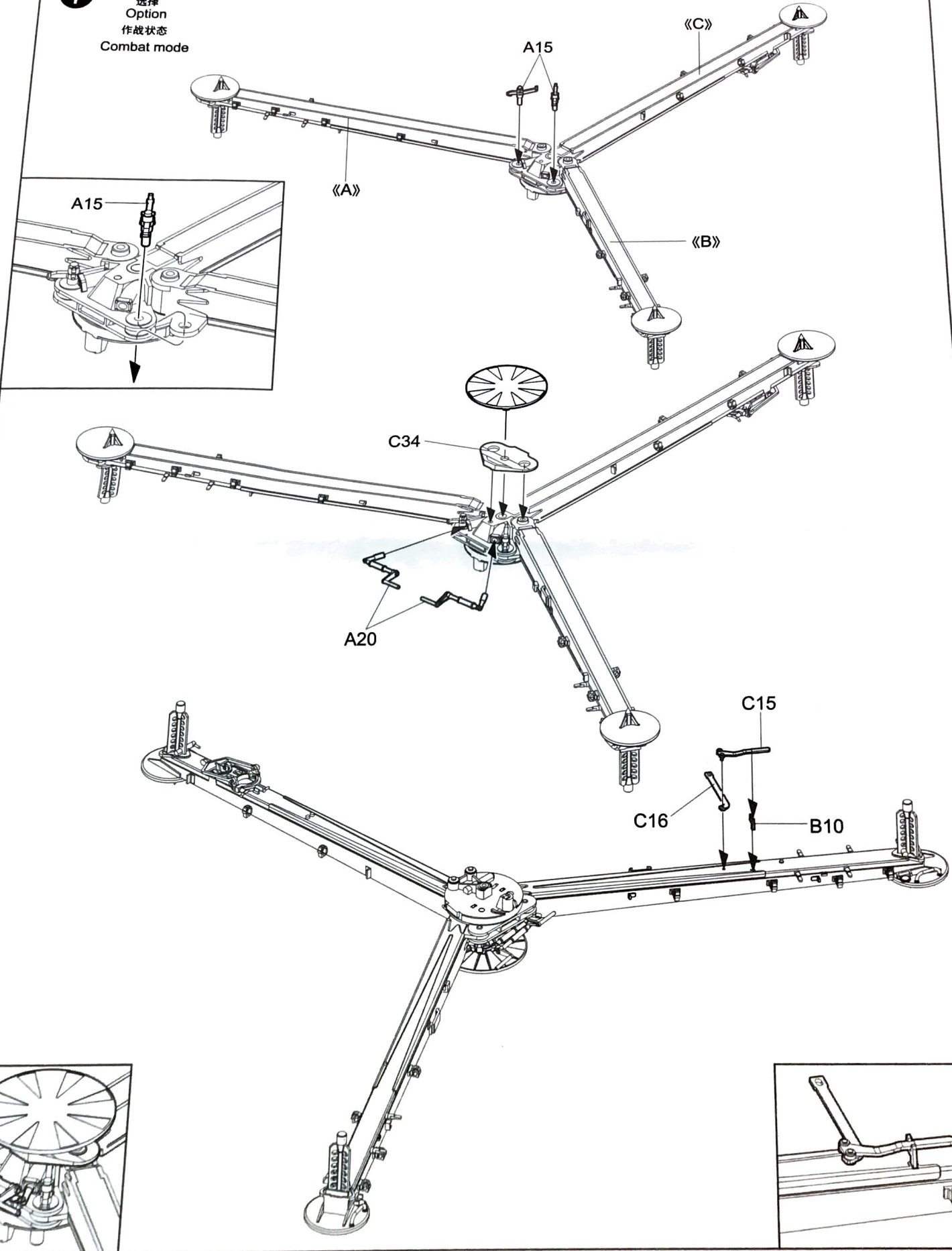


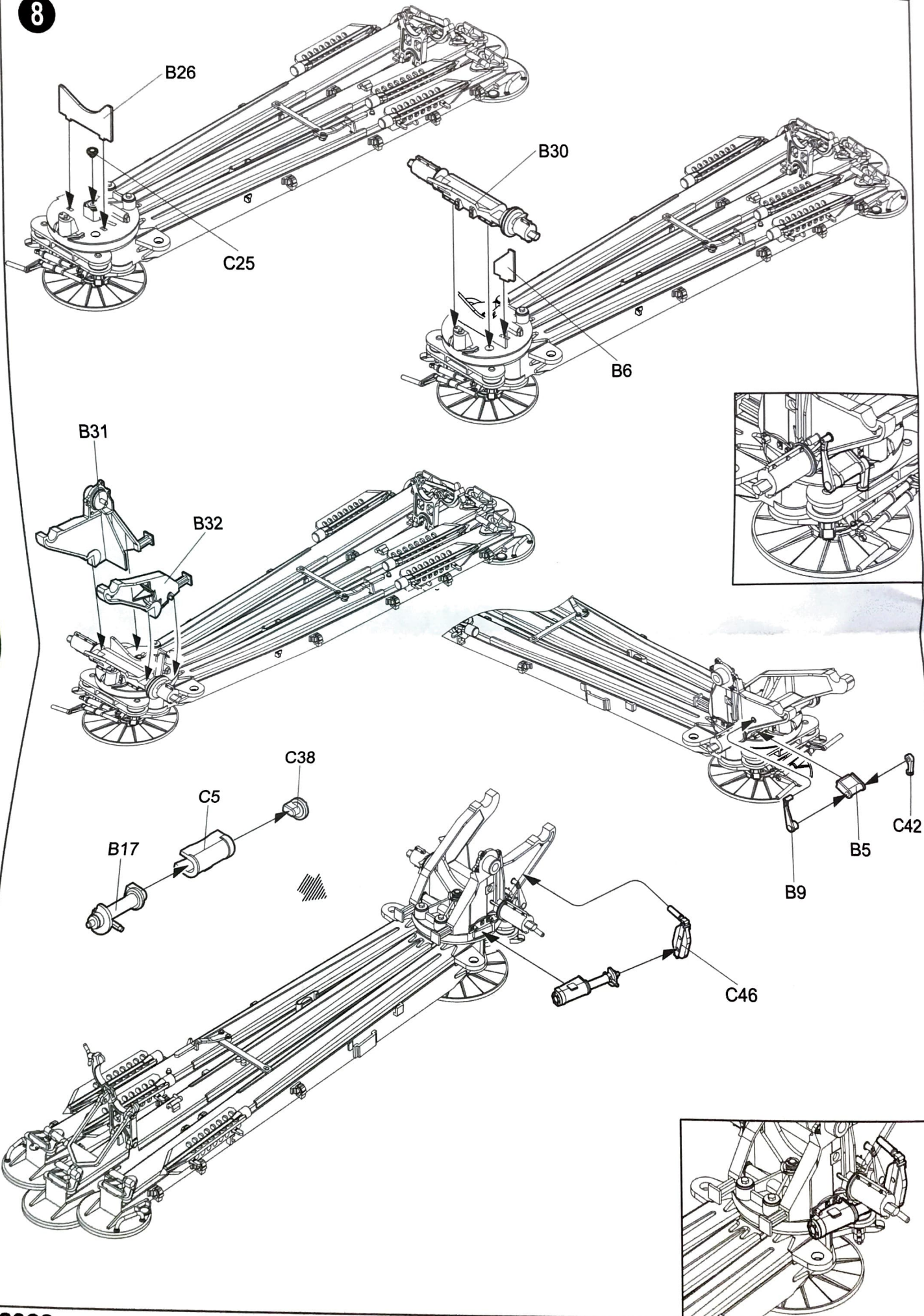
6

选择
Option
运输状态
Travel mode

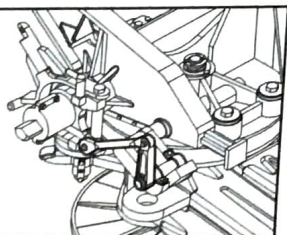
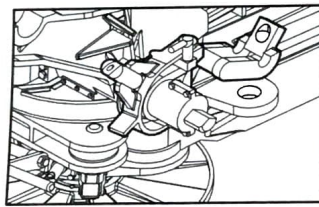
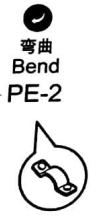
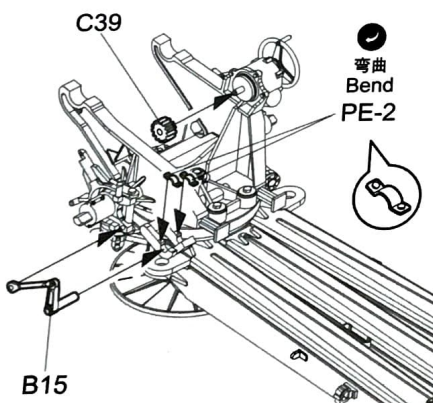
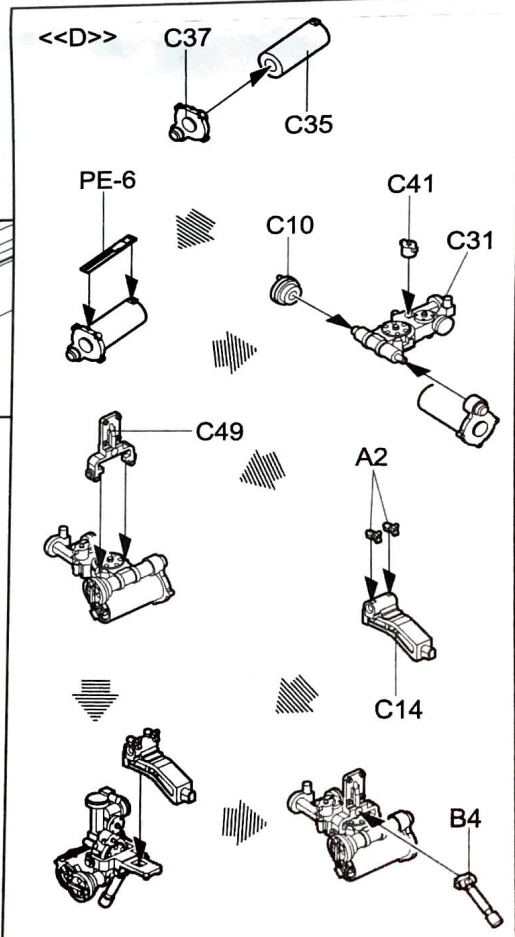
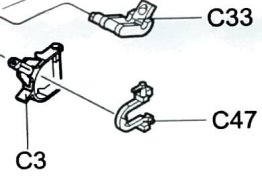
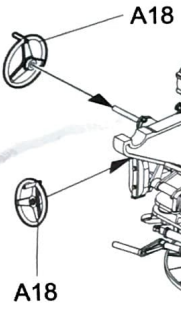
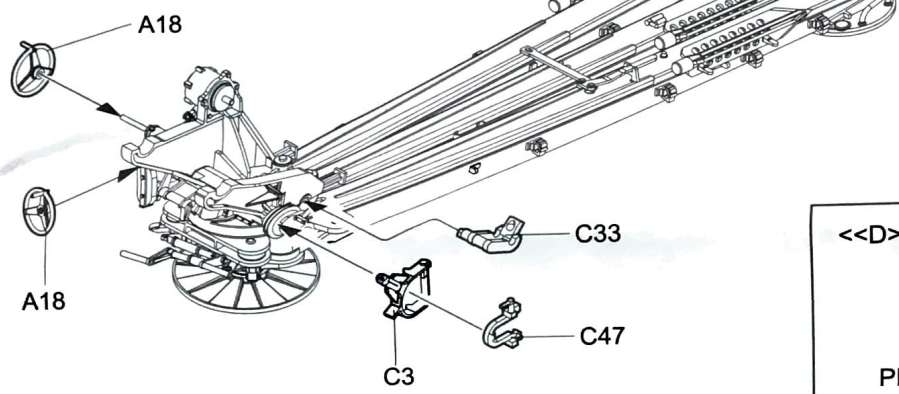
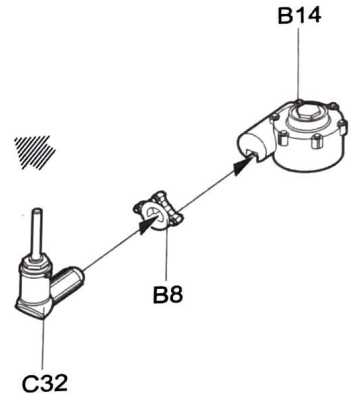
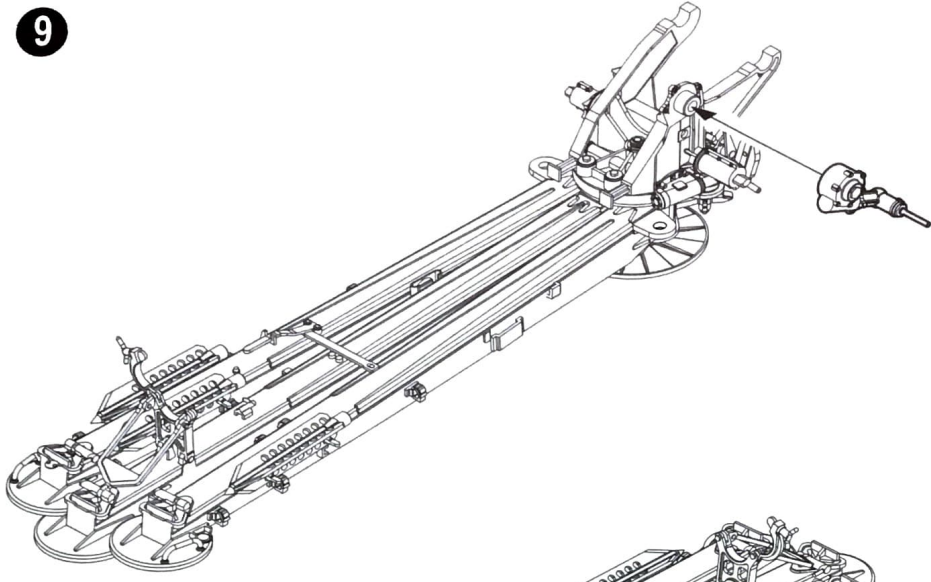


7 选择
Option
作战状态
Combat mode

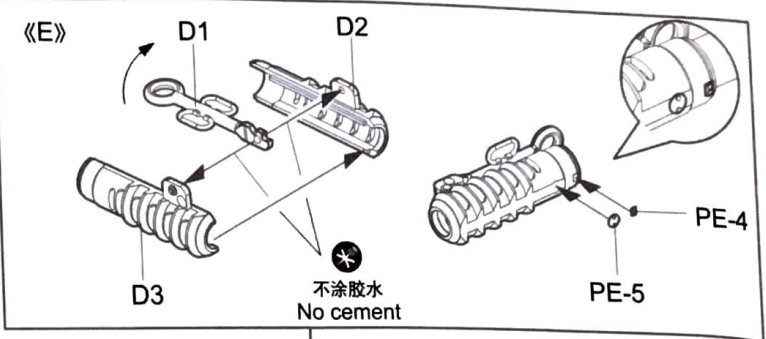
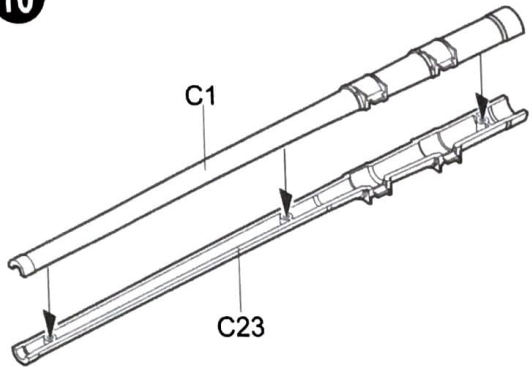




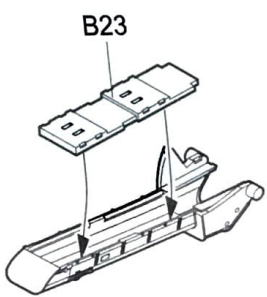
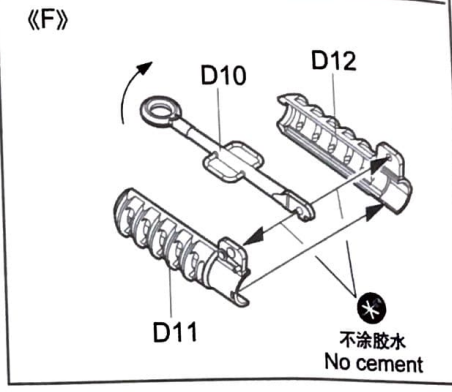
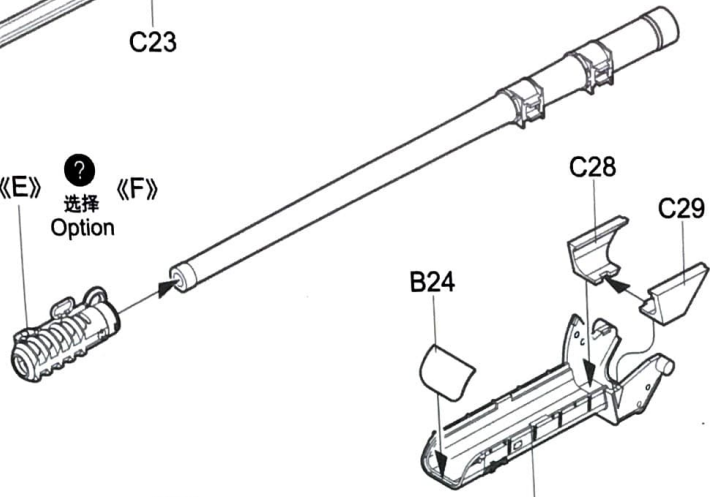
9



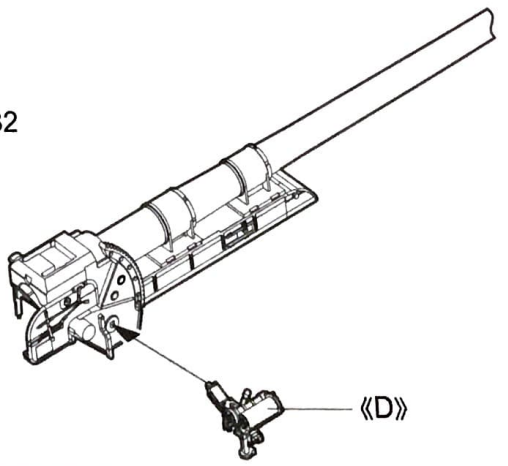
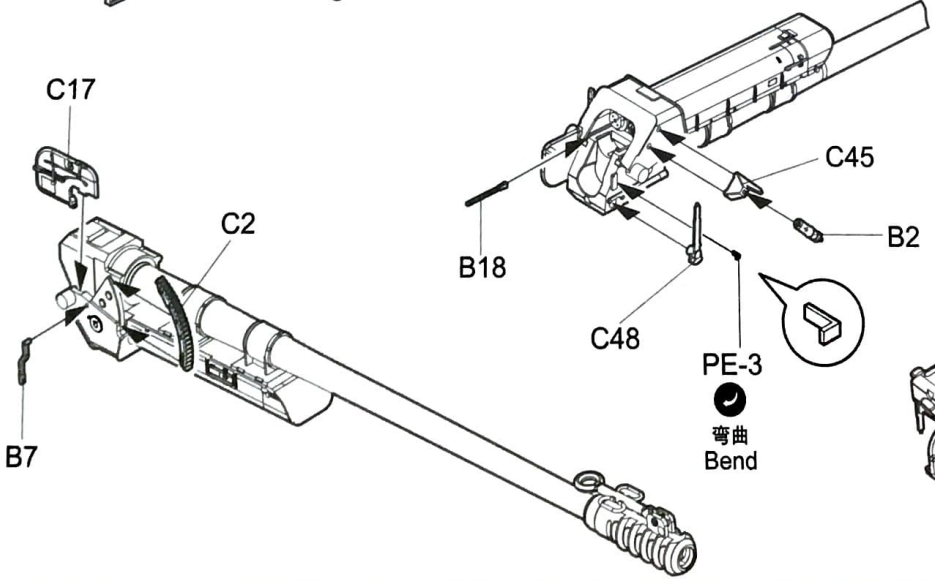
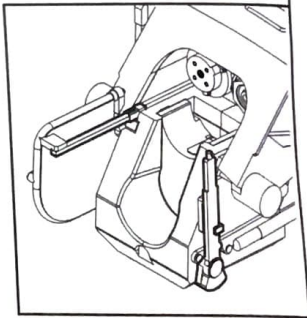
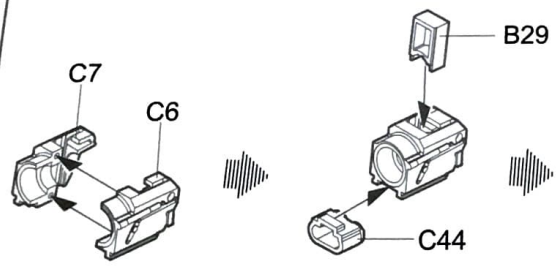
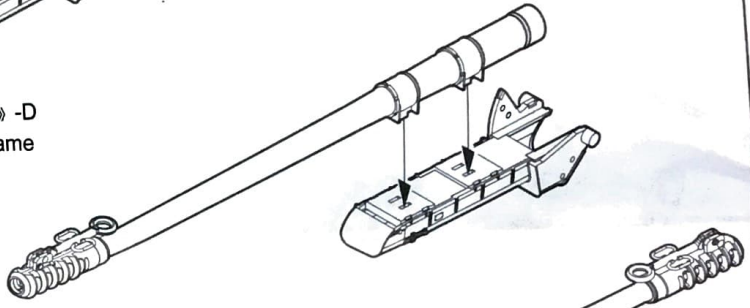
10



《E》
 选择
 Option
 《F》



《炮架》-D
 Frame



11

11

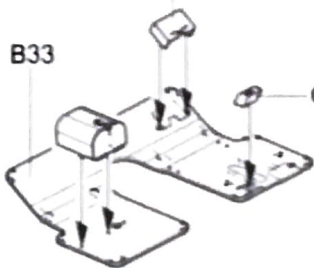
C22



C24

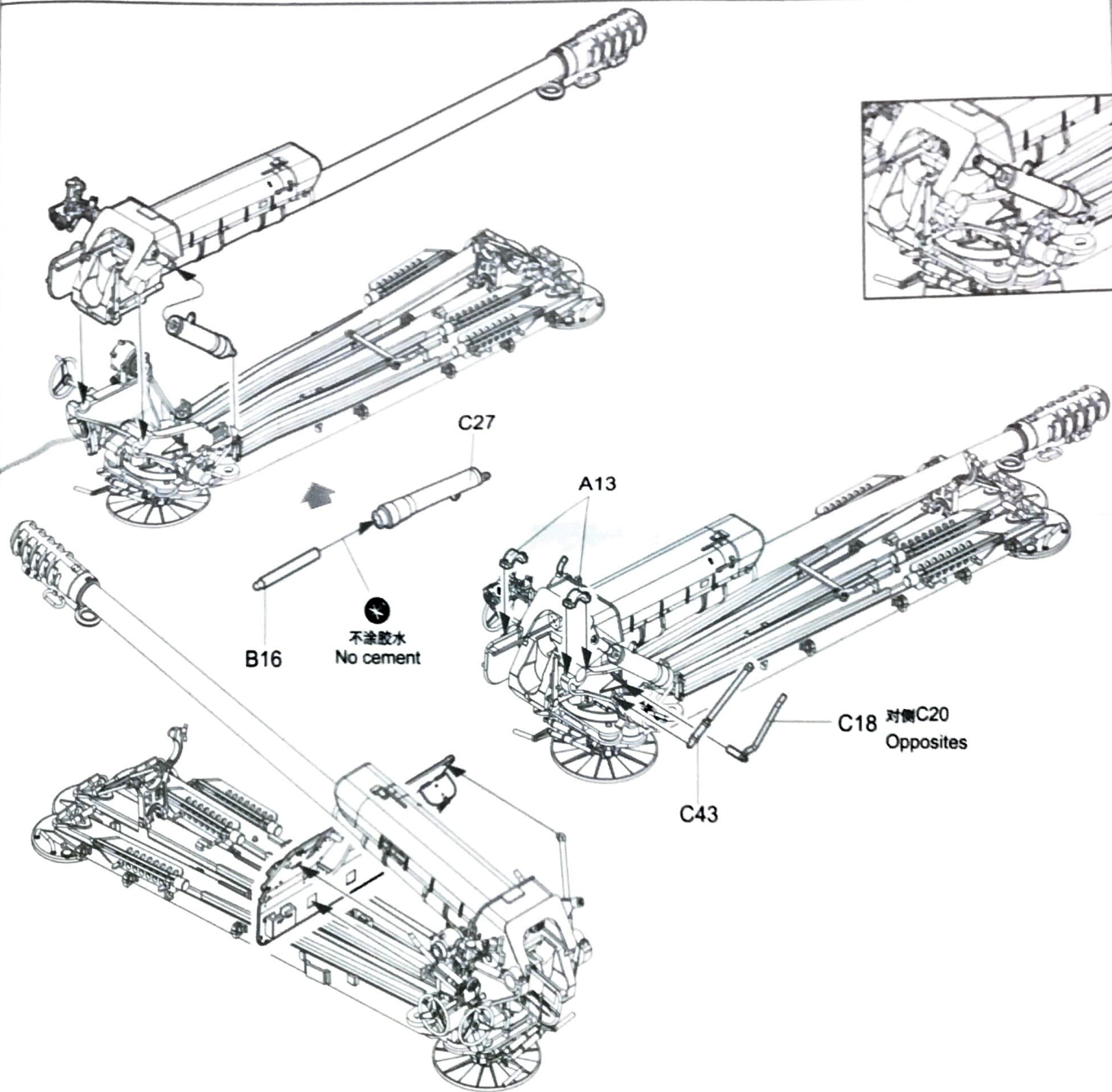
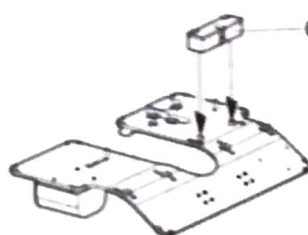
B1

B33



C36

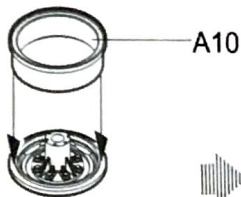
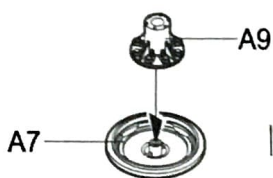
C4



不涂胶水
No cement

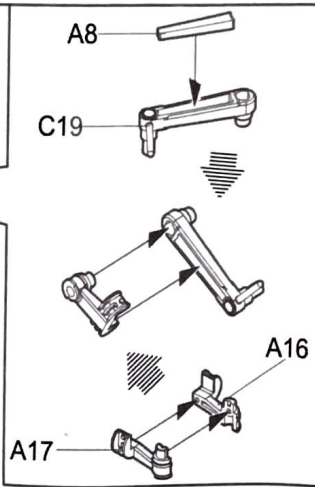
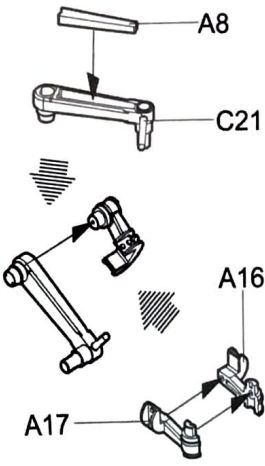
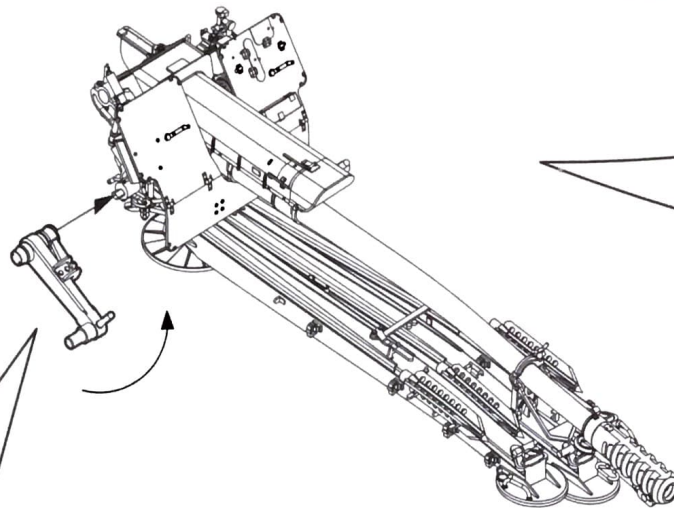
C18 对侧C20
Opposites

《车轮》
Wheel
制作2组
Make two



《轮胎》
Tyre

12

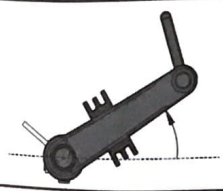
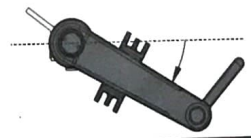


运输状态
Travel mode

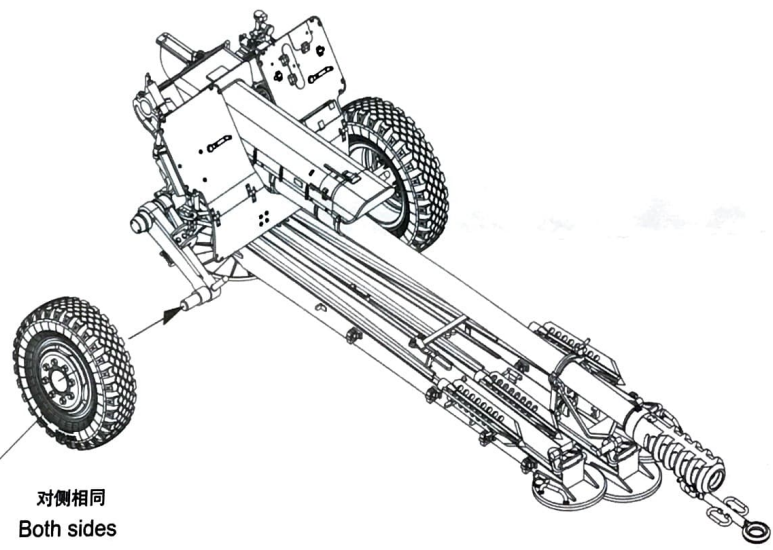
作战状态
Combat mode

下移底位
Go down

上移顶位
Go up

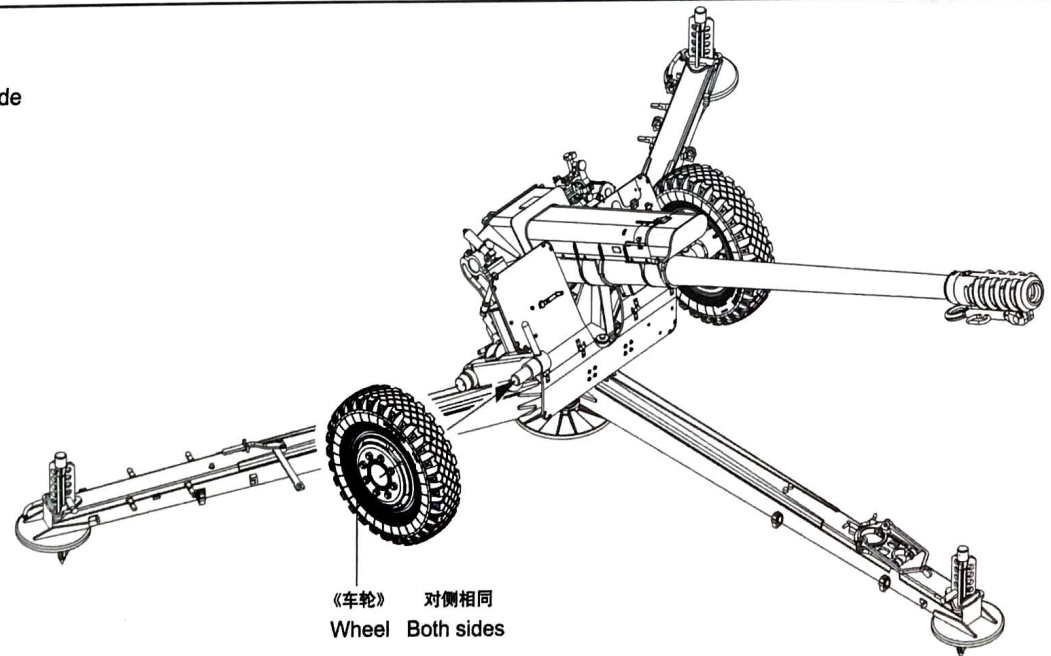


运输状态
Travel mode



《车轮》 对侧相同
Wheel Both sides

作战状态
Combat mode

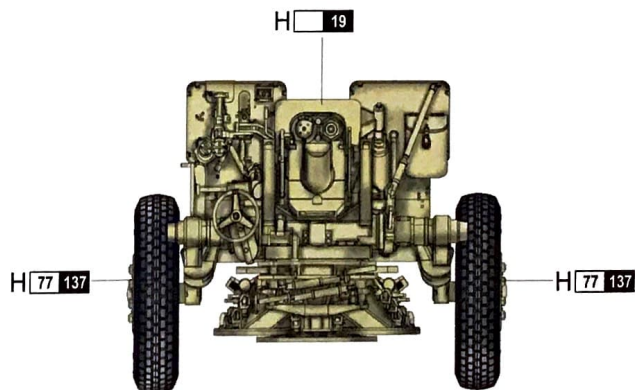
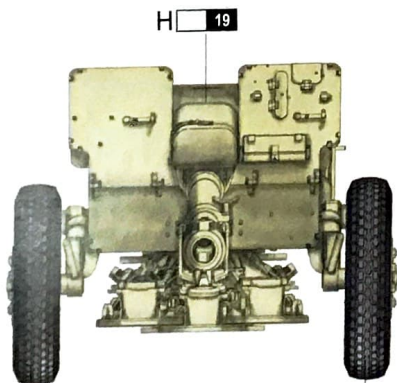
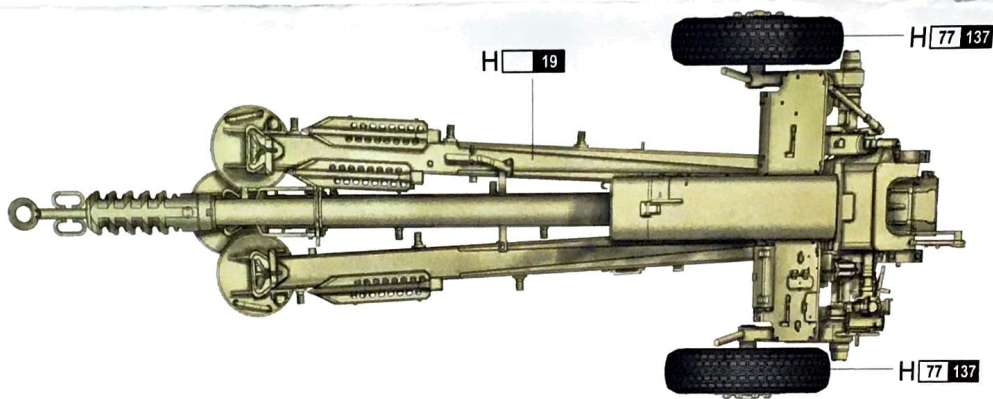
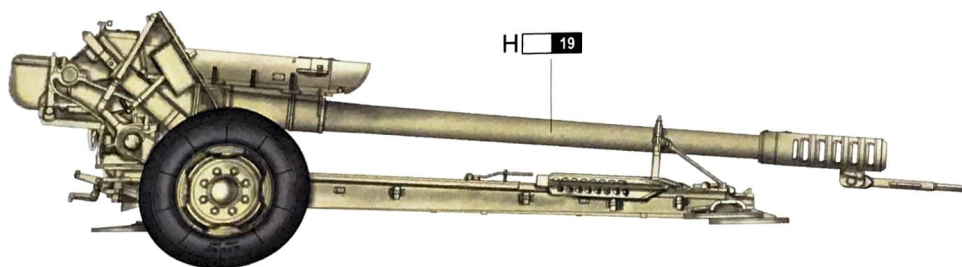
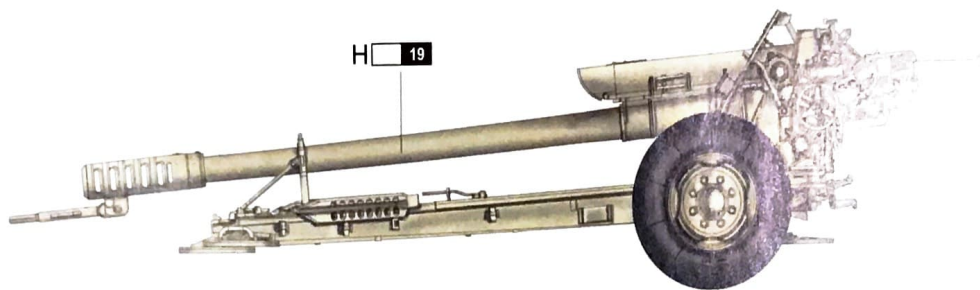


《车轮》 对侧相同
Wheel Both sides

涂装同标贴指示 Painting & Marking guide

PAINT REFERENCE COLOUR					
Color	Mr Hobby	Vallejo	Model Master	Tamiya	Humbrol
Tire Black 胎黑色	H 77 137	--	--	--	--
Light Green 浅绿色	H 90 303	--	1713	XF20	117
Bandy Yellow 砂黄色	H 19	--	--	--	--

B



H 77 137

H 77 137

H AQUEOUS HOBBY COLOR ■ Mr. COLOR

涂装同标贴指示 Painting & Marking guide

PAINT REFERENCE COLOUR					
Color	Mr Hobby	Valleyjo	Model Master	Tamiya	Humbrol
The Buck 灰绿色	H 77 137	-	-	-	-
Light Green 浅绿色	H 303 303	-	1713	AF20	117
Beady Yellow 黄绿色	H 11 11	-	-	-	-

A

